

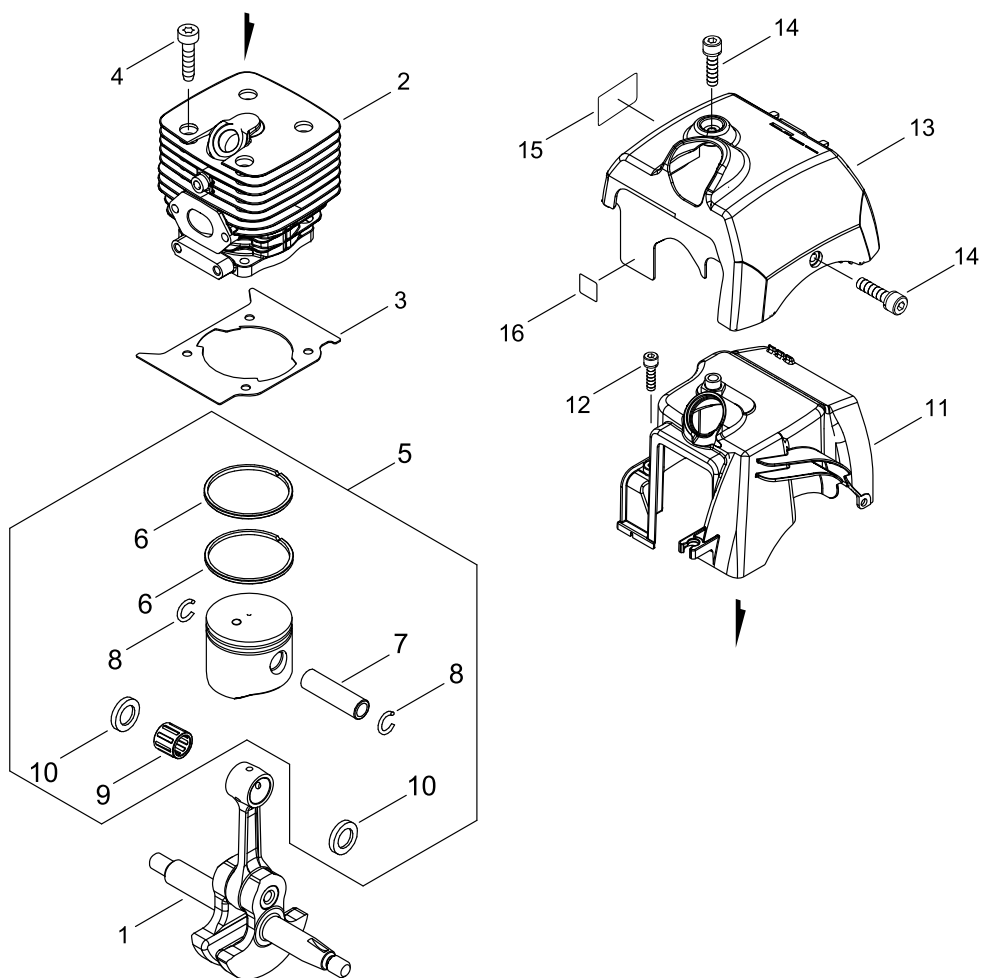
BCLS-520ES

Published:11/11/2019

TABLE OF CONTENTS

CYLINDER, PISTON, CRANKSHAFT.....	1
CRANKCASE	3
MAGNETO.....	5
CLUTCH.....	7
AIR CLEANER, CARBURETOR.....	9
CARBURETOR.....	11
FUEL TANK.....	13
MUFFLER	15
RECOIL STARTER, PULLY	17
GEAR CASE, SHIELD.....	19
MAIN PIPE, HANDLE.....	21
THROTTLE	23
ACCESSORIES	25
HARNESS.....	27

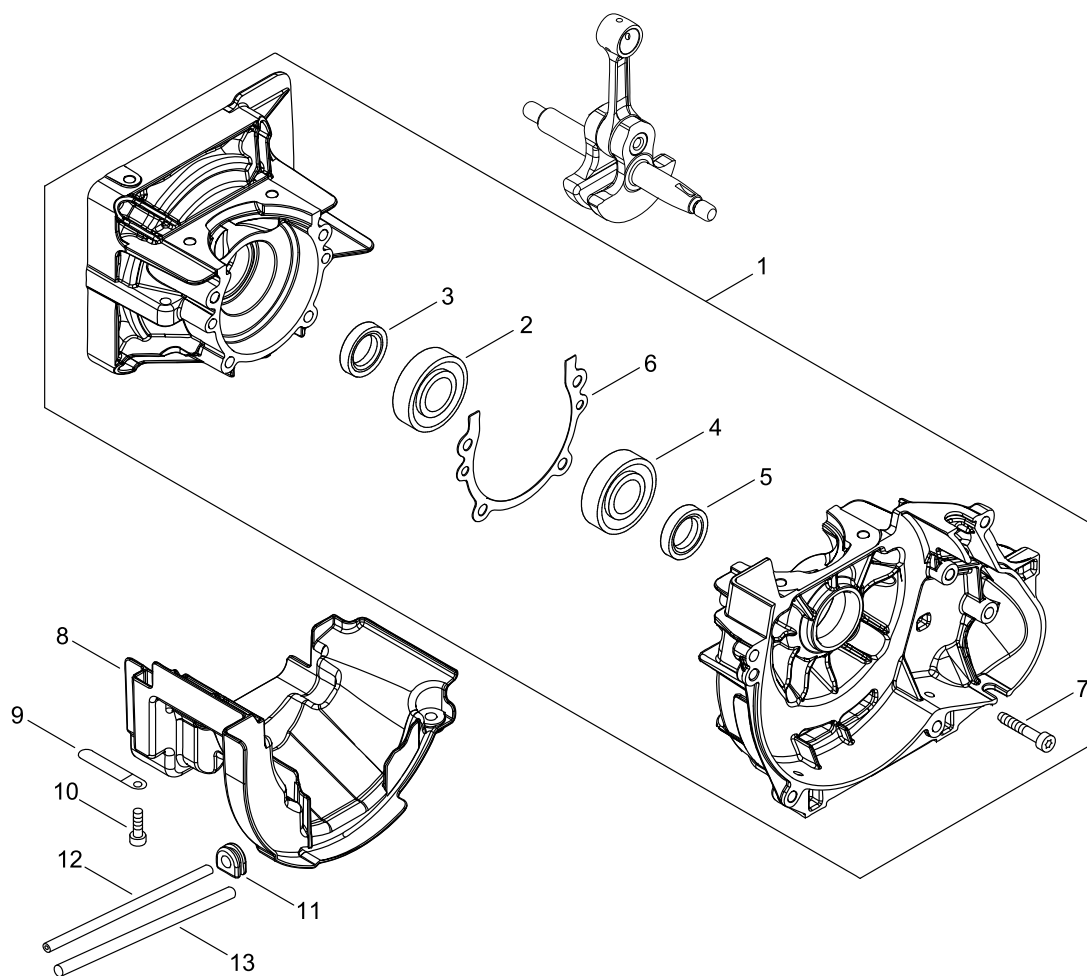
CYLINDER, PISTON, CRANKSHAFT



CYLINDER, PISTON, CRANKSHAFT

KEY NO	LV(+)	Part No	Description	Qty	Standard	Comment
1		A011-001350	CRANKSHAFT,ASY	1		
2		A130-002191	CYLINDER	1		
3		V100-000790	GASKET,CYL	1	T:0.8	
4		V805-000210	BOLT, TORX 5	4	TB-5*20 12.9	
5		P021-050440	PISTON KIT	1		
6	+	A101-000690	RING, PISTON	2	44*1.2*1.8	
7	+	V609-000000	PIN,ENG 11	1		
8	+	100015-32330	CIRCLIP, PISTON PIN	2		
9	+	V556-000000	BEARING,NEEDLE 11	1	KBK11*15*15.8X2	
10	+	V308-000100	WASHER,CIRCULAR 11	2		
11		A160-002930	COVER,CYLINDER	1		
12		V835-000000	BOLT, TORX 5	1		
13		A160-002632	COVER,CYLINDER	1	SRM-420ES OUTER	
14		V835-000000	BOLT, TORX 5	2		
15		X547-003580	LABEL,ECHO	1	ECHO+ BCLS-520ES	
16		X524-001901	LABEL	1		

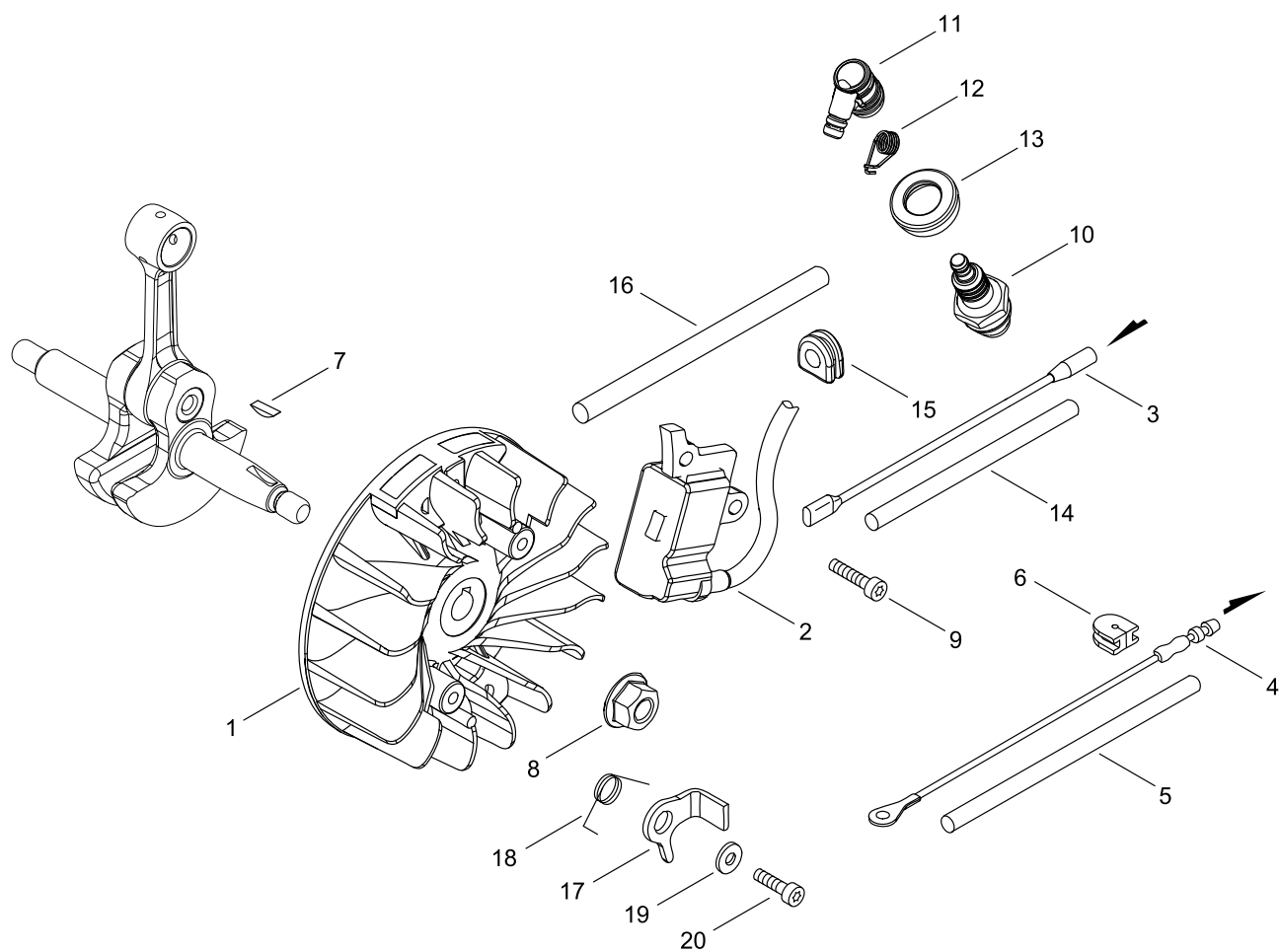
CRANKCASE



CRANKCASE

KEY NO	LV(+)	Part No	Description	Qty	Standard	Comment
1		P021-047120	CRANK CASE SET	1		
2	+	900810-36202	BEARING, BALL	1	6202	
3	+	100213-00310	OILSEAL	1	ISCD 15 25 7	
4	+	900810-36202	BEARING, BALL	1	6202	
5	+	100213-00310	OILSEAL	1	ISCD 15 25 7	
6	+	V102-000260	GASKET,CRANKCASE	1	T:0.5	
7	+	V805-000180	BOLT, TORX 5	4	TB-5*30 12.9	
8		A209-000740	PLATE, INSULATOR	1		
9		159116-21231	CLAMP	1		
10		V835-000000	BOLT, TORX 5	2		
11		156110-04920	BUSHING	1		
12		V471-000741	PIPE	1	3*6*160	
13		V475-008080	TUBE	1	8*9*125	

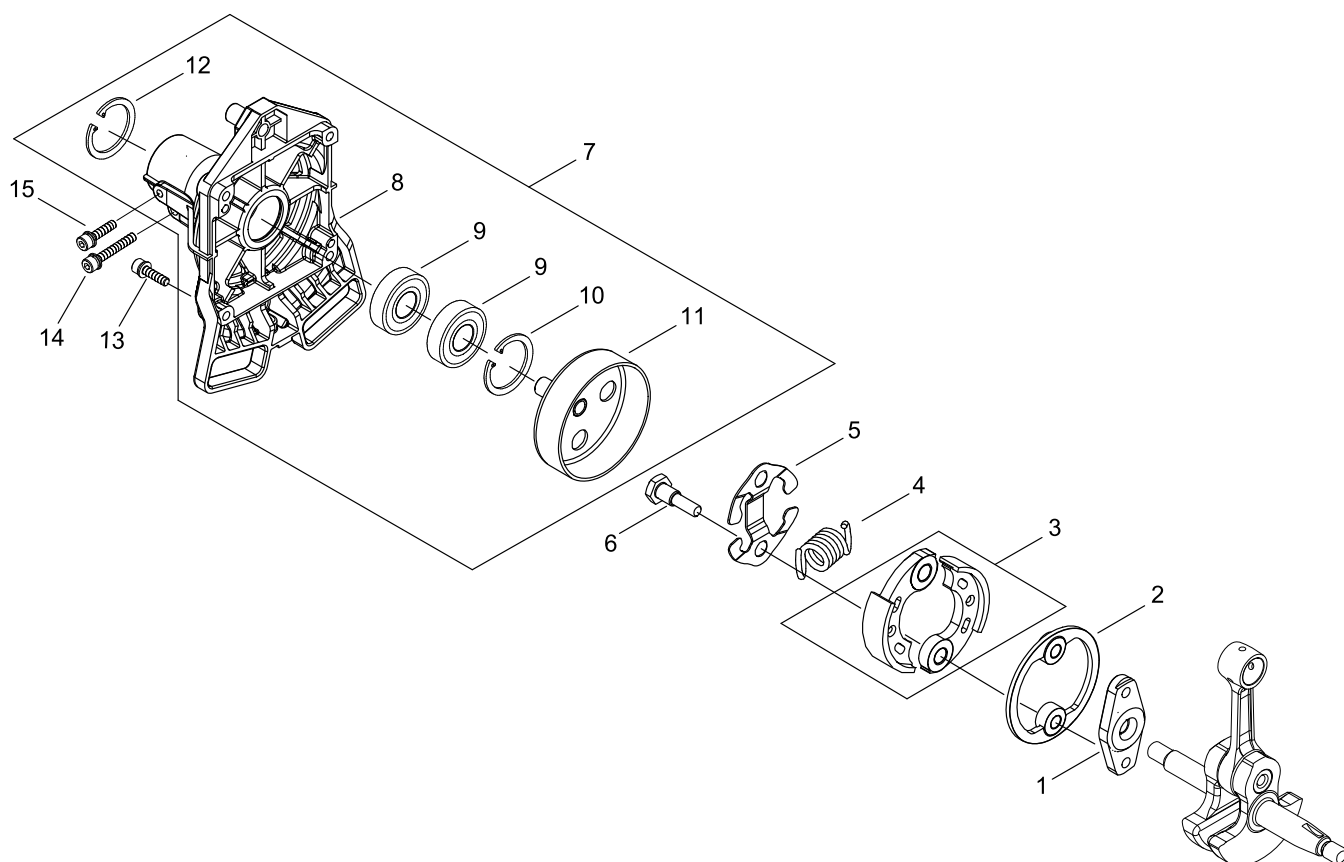
MAGNETO



MAGNETO

KEY NO	LV(+)	Part No	Description	Qty	Standard	Comment
1		A409-001210	ROTOR, MAGNETO	1		
2		A411-001480	COIL, IGNITION	1		
3		V485-002331	LEAD	1		
4		V485-002570	LEAD	1		
5		V475-008080	TUBE	1	8*9*125	
6		156114-07320	GROMMET	1		
7		100142-12330	KEY, WOODRUFF	1		
8		92105-08000	NUT L, FLANGE	1	8	
9		V805-000150	BOLT, TORX 5	2	TB-5*16 10.9	
10		A425-000000	SPARKPLUG	1	BPMR8Y	
11		A427-000060	CAP,SPARK PLUG	1		
12		A426-000010	TERMINAL,SPARKPLUG	1		
13		A429-000090	COVER,CAP	1		
14		V475-007540	TUBE	1		
15		156110-04920	BUSHING	1		
16		V475-007550	TUBE	1		
17		A514-000280	PAWL	2		
18		V452-001471	SPRING,TORSION	2		
19		177247-04630	SPACER, RATCHET	2	5.2*8*2.1	
20		V805-000140	BOLT, TORX 5	2	TB-5*12 10.9	

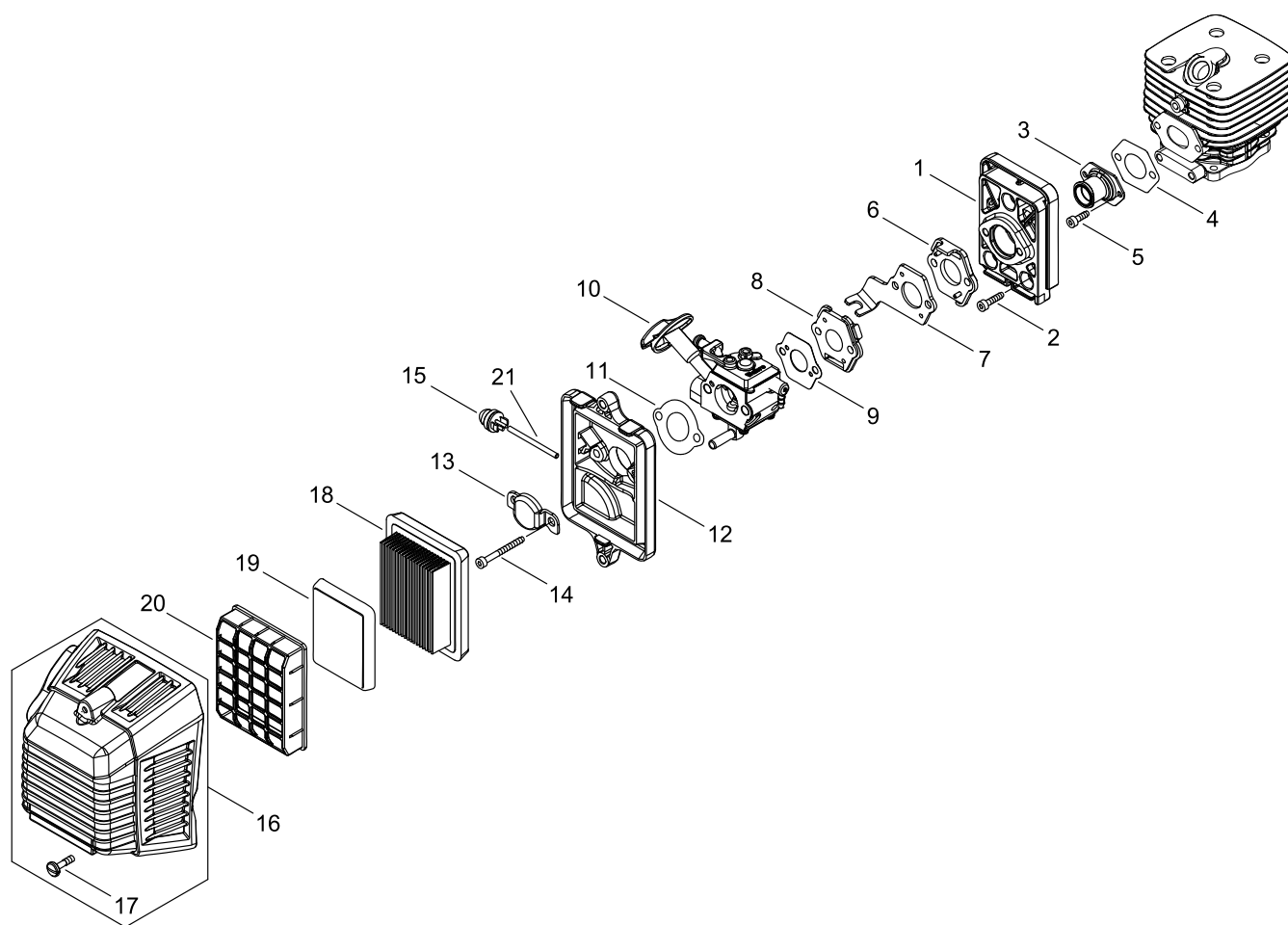
CLUTCH



CLUTCH

KEY NO	LV(+)	Part No	Description	Qty	Standard	Comment
1		175016-54430	HUB, CLUTCH	1		
2		V376-001650	SPACER	1		
3		P100-000100	CLUTCH SHOE SET	1		
4		A566-000260	SPRING, CLUTCH	1	3.2 361N	
5		V453-000100	SPRING,FLAT	1	10.2	
6		A557-000200	SHAFT,CLUTCH	2		
7		P100-006140	CASE,CLUTCH ASY	1		
8	+	A570-000291	CASE,CLUTCH	1		
9	+	94018-46001	BEARING, BALL	2	6001LB	
10	+	900702-00028	RETAINING RING, INTERNAL	1	CR-28	
11	+	A556-000181	DRUM,CLUTCH	1		
12	+	900701-00012	RETAINING RING, EXTERNAL	1	CS-12	
13		V805-000160	BOLT, TORX 5	4	TB-5*20 10.9	
14		V805-000160	BOLT, TORX 5	1	TB-5*20 10.9	
15		V805-000140	BOLT, TORX 5	1	TB-5*12 10.9	

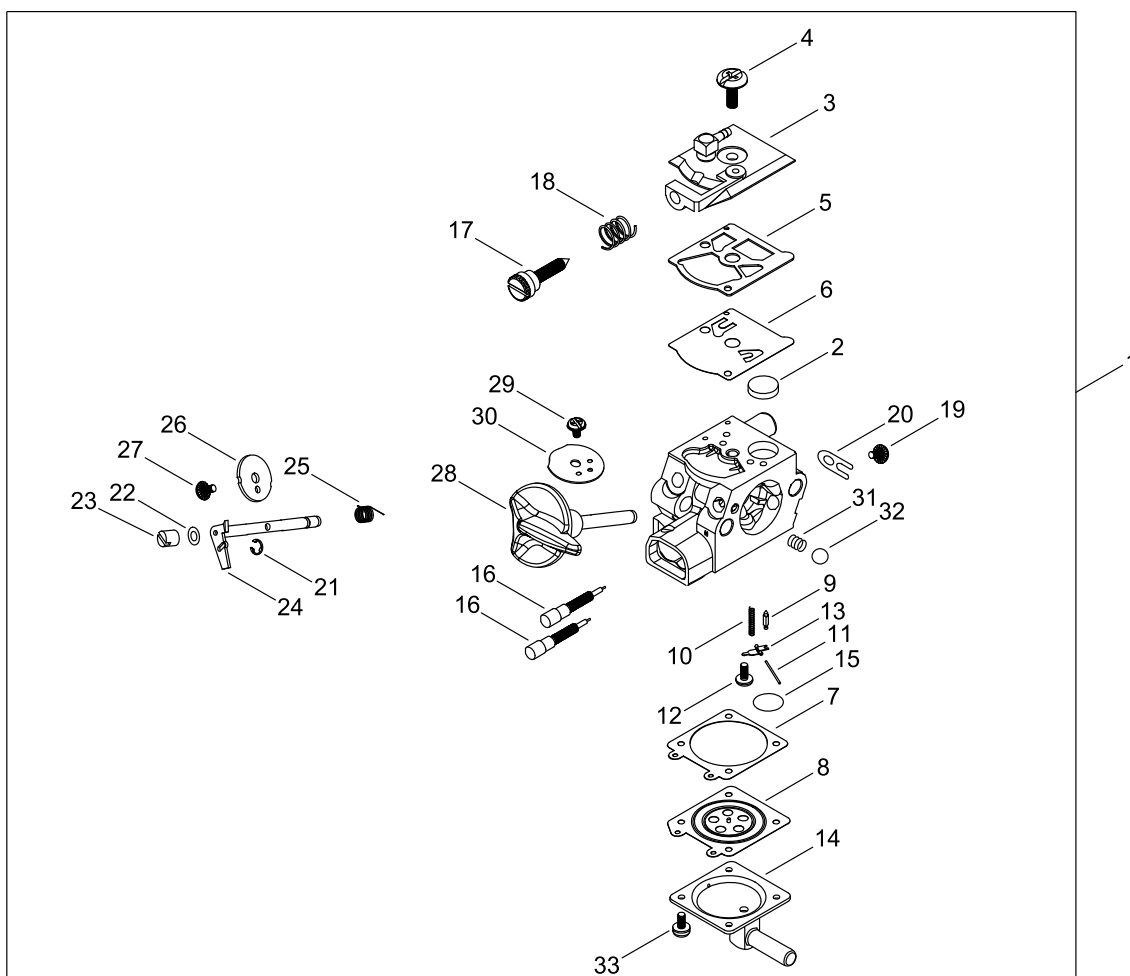
AIR CLEANER, CARBURETOR



AIR CLEANER, CARBURETOR

KEY NO	LV(+)	Part No	Description	Qty	Standard	Comment
1		A200-000990	INSULATOR, INTAKE	1		
2		V855-000000	BOLT, TORX 5	3	TB-5*20	
3		A202-000270	BELLOWS, INTAKE	1		
4		V103-001620	GASKET,INTAKE	1		
5		V835-000010	BOLT, TORX 5	2	TB-5*12 10.9	
6		A209-000720	PLATE, INSULATOR	1		
7		C487-000410	HOLDER, CABLE	1		
8		A209-000840	PLATE, INSULATOR	1		
9		V103-001610	GASKET,INTAKE	1		
10		A021-004220	CARBURETOR, DIAPHRAGM	1	WT-1096	
11		V103-000500	GASKET,INTAKE	1	ASK NO.4600	
12		A225-000690	CASE,CLEANER	1		
13		A244-000290	PLATE, PREVENT	1		
14		V805-000330	BOLT, TORX 5	2	TB-5*65 12.9	
15		123181-39130	PUMP, PRIMER	1		
16		P021-047381	CLEANER LID ASY	1		
17	+	V253-000100	SCREW,5	2	5*20	
18		A226-000361	ELEMENT, AIR FILTER	1	AFP-2010K-300	
19		A226-001740	ELEMENT, AIR FILTER	1		
20		A227-000040	PLATE, ELEMENT	1		
21		V471-001301	PIPE	1	2.4*5*65	

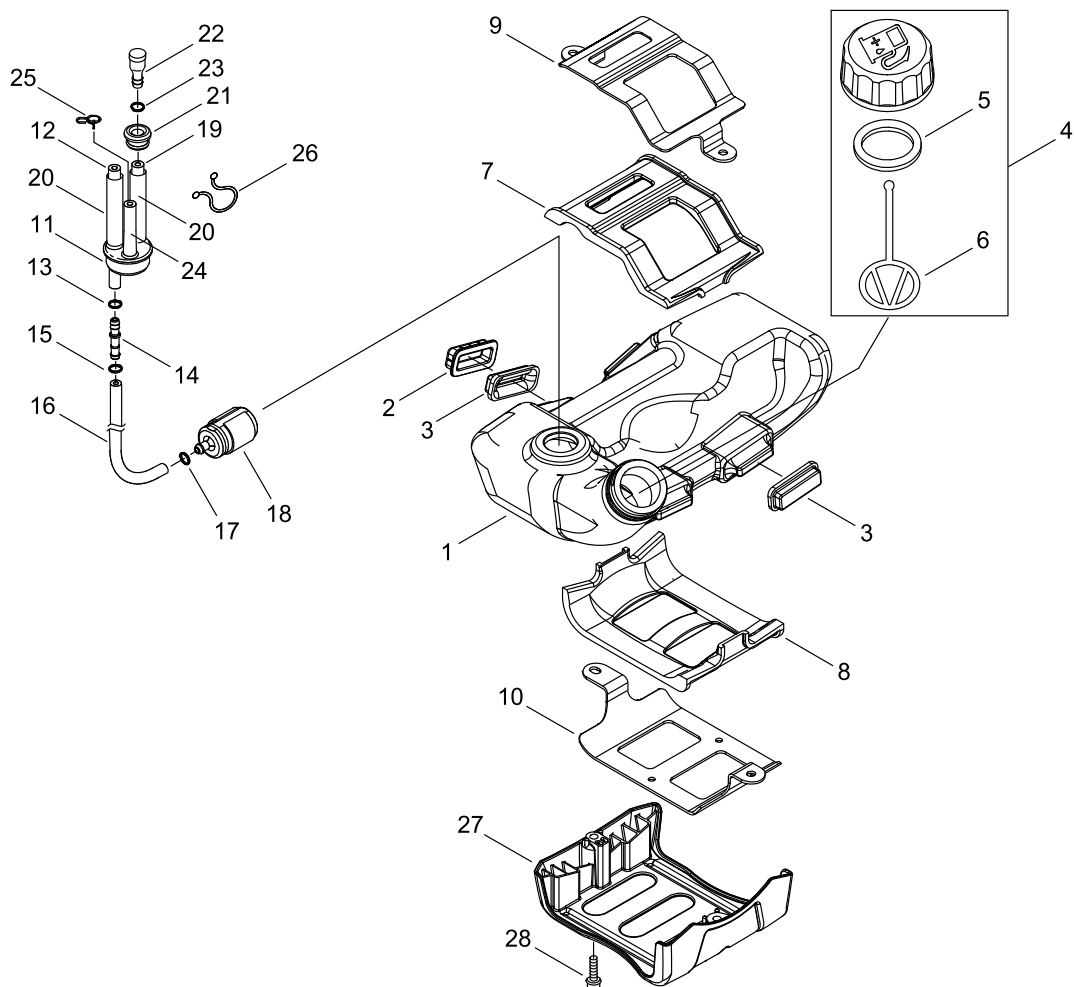
CARBURETOR



CARBURETOR

KEY NO	LV(+)	Part No	Description	Qty	Standard	Comment
1		A021-004220	CARBURETOR, DIAPHRAGM	1	WT-1096	
2	+	123126-10631	SCREEN, INLET	1		
3	+	P003-005450	PUMP COVER ASY	1		
4	+	123110-03930	SCREW, PUMP COVER	1		
5	+	123125-15030	GASKET, FUEL PUMP	1		
6	+	123112-15030	DIAPHRAGM, FUEL PUMP	1		
7	+	123140-27230	GASKET,M. DIAPHRAGM	1		
8	+	P003-001850	DIAPHRAGM, METERING	1		
9	+	123137-19830	VALVE, INLET NEEDLE	1		
10	+	123122-03660	SPRING, METER. LEVER	1		
11	+	123138-03930	PIN, METERING LEVER	1		
12	+	123139-03930	SCREW, M. LEVER PIN	1		
13	+	123123-03930	LEVER, METERING	1		
14	+	123142-03930	COVER, M. DIAPHRAGM	1		
15	+	123146-10631	PLUG, WELCH	1		
16	+	P003-002270	NEEDLE	2		
17	+	123134-04260	SCREW, IDLE ADJUST	1		
18	+	123133-04260	SPRING, IDLE ADJUST	1		
19	+	P003-005120	SCREW	1		
20	+	123127-03930	CLIP, THROTTLE SHAFT	1		
21	+	123173-07930	CLIP	1		
22	+	123149-54230	WASHER	1		
23	+	P003-005460	SWIVEL	1		
24	+	P003-005020	SHAFT ASM THROTTLE	1		
25	+	123113-47530	SPRING, THR. RTN.	1		
26	+	P003-000310	VALVE THROTTLE	1		
27	+	P003-002380	SCREW	1		
28	+	P003-005470	SHAFT ASY, CHOKE	1		
29	+	123114-38830	SCREW	1		
30	+	P003-001790	VALVE, CHOKE	1		
31	+	123135-10630	SPRING, CHOKE FRICT.	1		
32	+	123136-10630	BALL, CHOKE FRICTION	1		
33	+	123130-02960	SCREW	4		

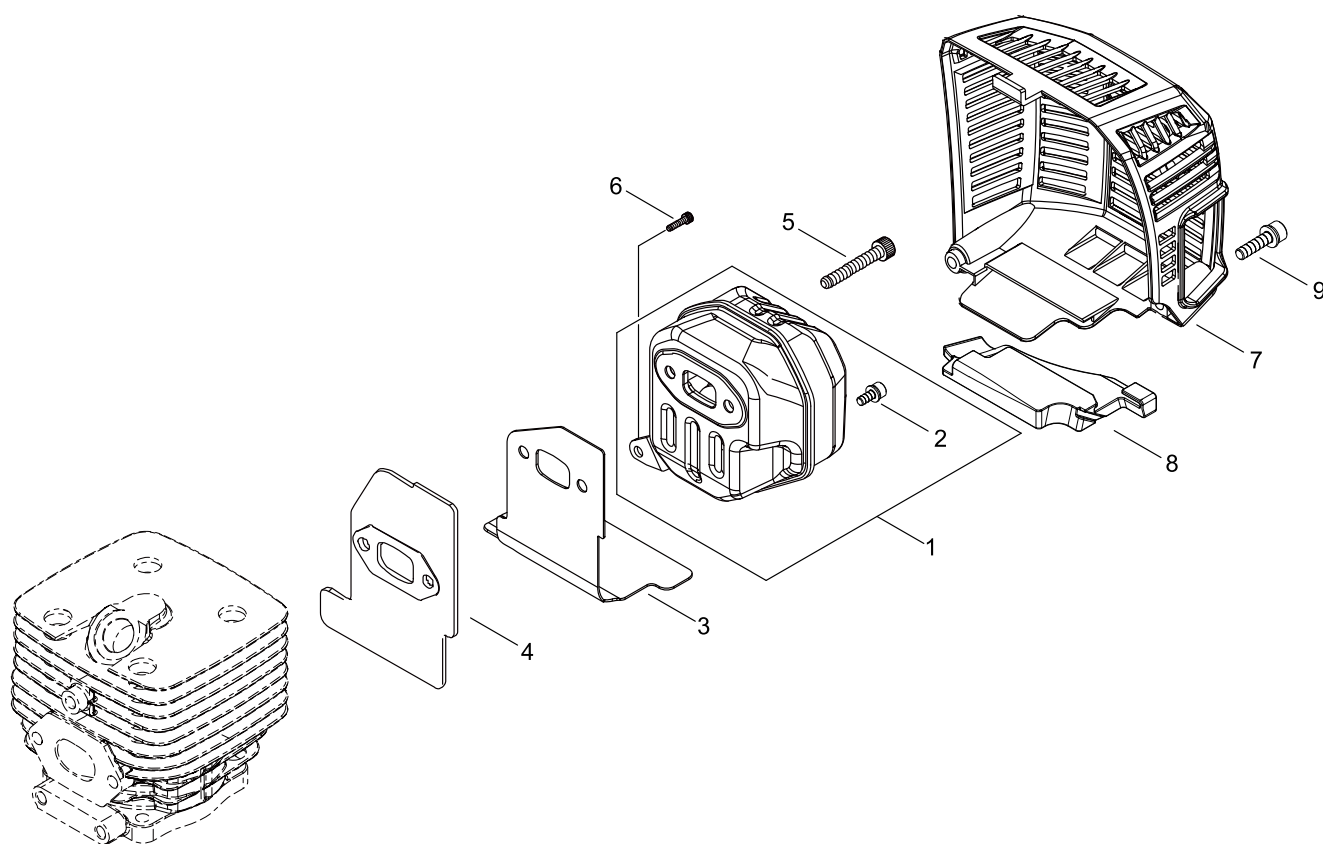
FUEL TANK



FUEL TANK

KEY NO	LV(+)	Part No	Description	Qty	Standard	Comment
1		A350-002021	TANK, FUEL	1		
2		V423-000130	HOLDER,CUSHION	2		
3		V420-004860	CUSHION	4		
4		P021-012211	CAP,FUEL ASY	1		
5	+	V107-000190	GASKET,FUEL CAP	1	37.9*T2.2	
6	+	A365-000060	CONNECTOR,CAP	1	L=123	
7		A390-000050	SEAT,FUEL TANK	1	UPPER	
8		A390-000060	SEAT,FUEL TANK	1	LOWER	
9		A393-000320	BRACKET,FUEL TANK	1		
10		A393-000330	BRACKET,FUEL TANK	1		
11		132115-55931	GROMMET, FUEL	1	3 ϕ 5	
12		V471-002311	PIPE	1	3*6*130	
13		V490-001240	CLIP	1		
14		V186-000510	JOINT,PIPE	1		
15		130111-00530	CLIP	1	5.5	
16		V470-000841	PIPE	1	Φ 5L字L180	
17		V490-001240	CLIP	1		
18		A369-000001	STRAINER, FUEL	1	125-528	
19		130110-14530	PIPE, IMPULSE	1	3*6*135L	
20		V475-007720	TUBE	2	8*9*80	
21		132115-01462	GROMMET	1		
22		131300-56431	VENT ASSEMBLY, FUEL	1		
23		V490-001240	CLIP	1		
24		V471-000630	PIPE	1		
25		V490-000510	CLIP	1		
26		V491-000460	CLIP	1	ELS-200-2	
27		A175-000331	STAND	1		
28		V835-000030	BOLT, TORX 5	2	TB-5*20 10.9	

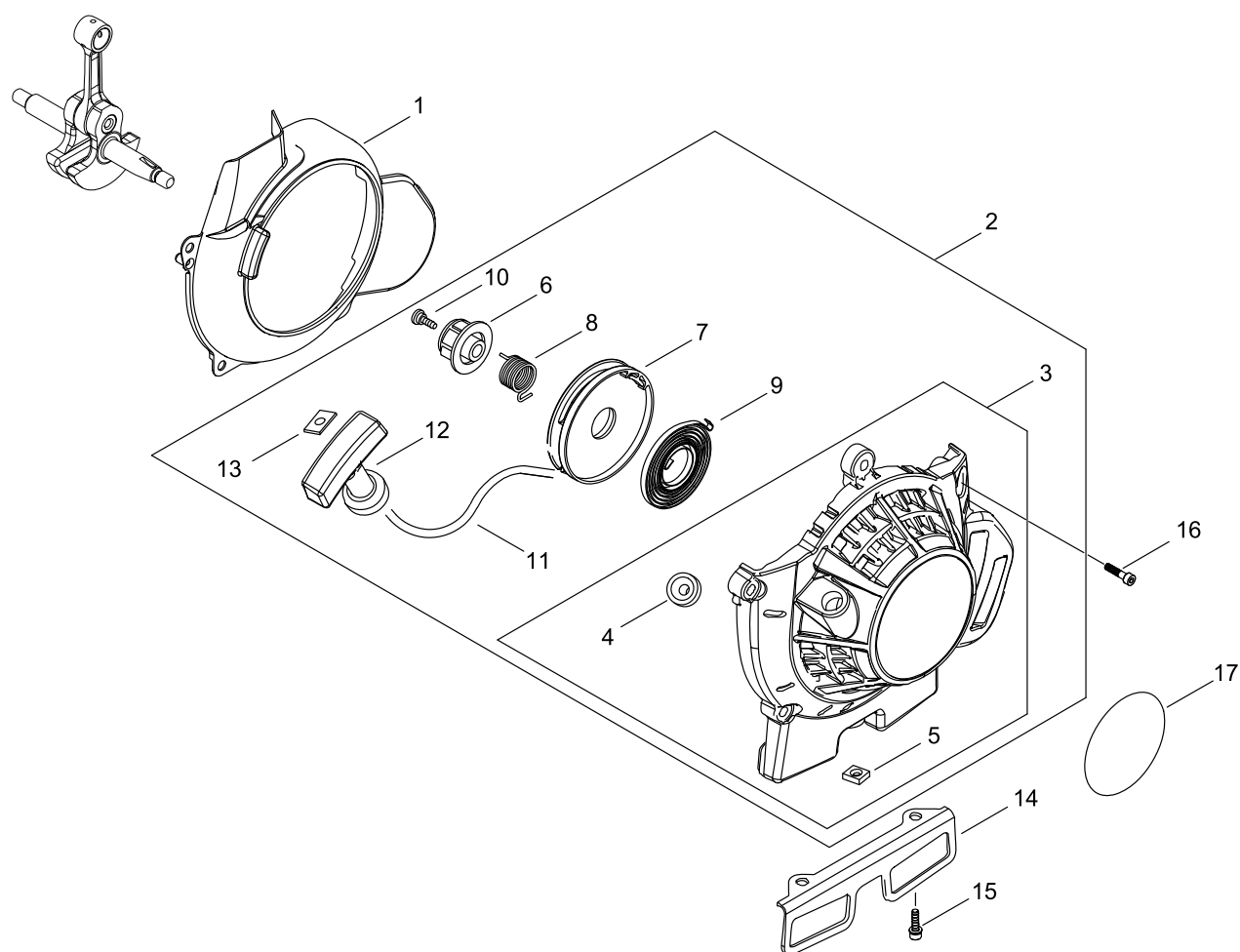
MUFFLER



MUFFLER

KEY NO	LV(+)	Part No	Description	Qty	Standard	Comment
1		P100-005120	MUFFLER ASY	1		
2	+	V804-000030	BOLT, TORX 4	1	TB-4*8 10.9	
3		V104-002170	GASKET,EXHAUST	1	NP7002 T:1.0	
4		V104-002030	GASKET,EXHAUST	1		
5		V806-000050	BOLT, TORX 6	2	TB-6*20 12.9	
6		V805-000300	BOLT, TORX 5	1	TB-5*12 12.9	
7		A320-001110	COVER,MUFFLER	1		
8		V541-000540	SEAL	1		
9		V805-000260	BOLT, TORX 5	2	TB5*25 10.9	

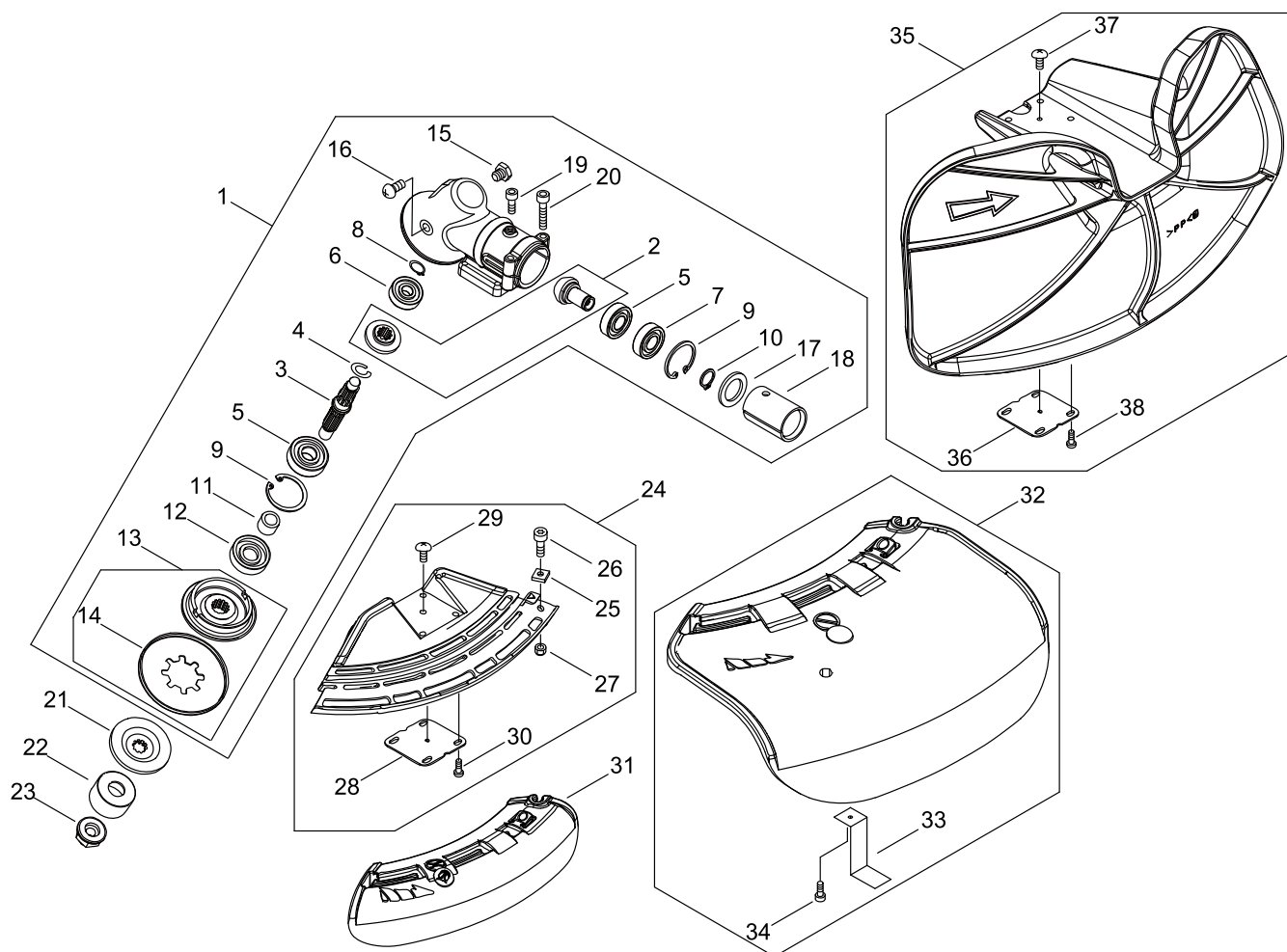
RECOIL STARTER, PULLY



RECOIL STARTER, PULLY

KEY NO	LV(+)	Part No	Description	Qty	Standard	Comment
1		A172-002600	COVER,FAN	1		
2		A051-002881	STARTER,RECOIL ASY	1		
3	+	P022-037550	STARTER CASE	1		
4	++	P022-045770	GUIDE, ROPE	1		
5	++	P022-022010	NUT	1		
6	+	P022-033830	CAM	1		
7	+	P022-023140	DRUM, STARTER	1		
8	+	P022-023120	SPRING,DAMPER	1		
9	+	P022-004680	SPRING, SPIRAL	1		
10	+	P022-023110	SCREW	1		
11	+	P022-037560	ROPE, STARTER	1		
12	+	177228-11120	GRIP, STARTER	1	3テンセット	
13	+	P022-037670	STOPPER, ROPE	1		
14		A393-000300	BRACKET,FUEL TANK	1	T1.5	
15		V805-000150	BOLT, TORX 5	2	TB-5*16 10.9	
16		V835-000030	BOLT, TORX 5	4	TB-5*20 10.9	
17		X502-000900	LABEL,ECHO	1		

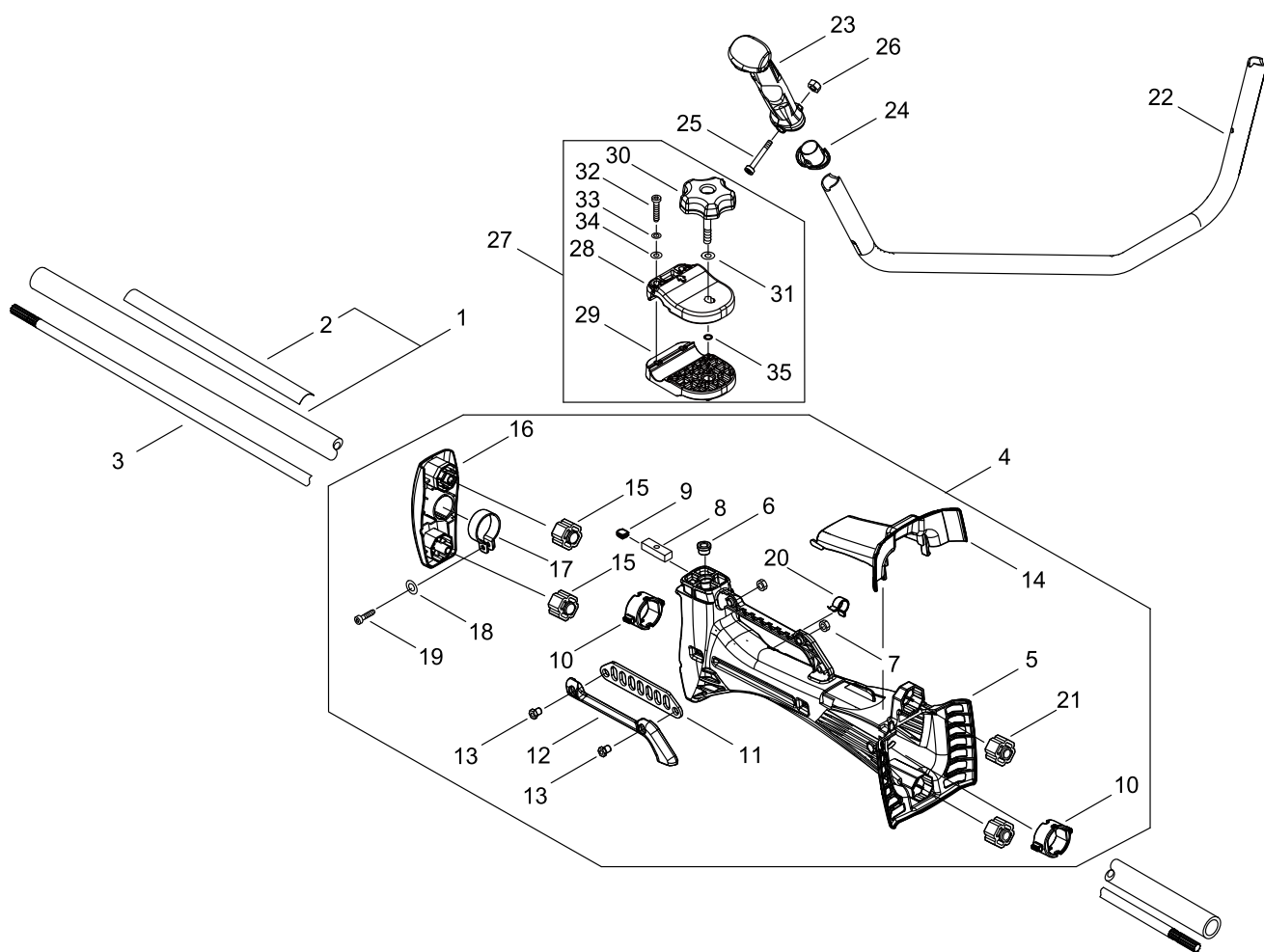
GEAR CASE, SHIELD



GEAR CASE, SHIELD

KEY NO	LV(+)	Part No	Description	Qty	Standard	Comment
1		P100-009270	CASE ASY, GEAR	1		
2	+	V000-000310	GEAR SET, BEVEL	1	1.4:1	
3	+	C534-000522	SHAFT,GEAR	1		
4	+	92411-14000	RETAINING RING, EXTERNAL	1	WR-14	
5	+	94060-06202	BEARING, BALL	2	6202	
6	+	94060-06001	BEARING, BALL	1	6001	
7	+	94063-06202	BEARING, BALL	1	6202Z	
8	+	900701-00012	RETAINING RING, EXTERNAL	1	CS-12	
9	+	900702-00035	RETAINING RING, INTERNAL	2	CR-35	
10	+	900701-00015	RETAINING RING, EXTERNAL	1	CS-15	
11	+	610334-06230	SPACER, OILSEAL	1		
12	+	610413-47530	OILSEAL IS 20 35 7	1		
13	+	C535-000441	FIXTURE, BLADE	1		
14	++	610352-56830	PLATE, CUP	1		
15	+	610434-50031	BOLT 8* 8	1	M8*8	
16	+	900220-04006	SCREW	1	4*6	
17	+	V314-000250	WASHER,CIRCULAR 24-2	1	23X35X3.0	
18	+	C511-000190	COLLAR, MAIN PIPE	1		
19	+	V805-000150	BOLT, TORX 5	1	TB-5*16 10.9	
20	+	V805-000060	BOLT, TORX 5	2	TB-5*35 10.9	
21		C535-000460	FIXTURE, BLADE	1		
22		X426-000170	ADAPTER,SAW	1		
23		610320-47530	NUT L, LOCK	1	12	
24		P021-050810	SHIELD BLADE ASY	1		
25	+	900565-00005	NUT, SQUARE	1	5	
26	+	V805-000170	BOLT, TORX 5	1	TB-5*25 10.9	
27	+	900562-00005	NUT, LOCK	1	5	
28	+	C552-000200	PLATE, SHIELD	1		
29	+	91316-04010	SCREW	1	4*10	
30	+	V805-000260	BOLT, TORX 5	4	TB5*25 10.9	
31		C550-000541	SHIELD, BLADE	1		
32		P021-043981	SHIELD ASY, BLADE	1		
33	+	C554-000001	KNIFE,CORD	1		
34	+	V805-000150	BOLT, TORX 5	1	TB-5*16 10.9	
35		P100-009280	SHIELD ASY	1		
36	+	C552-000200	PLATE, SHIELD	1		
37	+	91316-04010	SCREW	1	4*10	
38	+	V805-000260	BOLT, TORX 5	4	TB5*25 10.9	

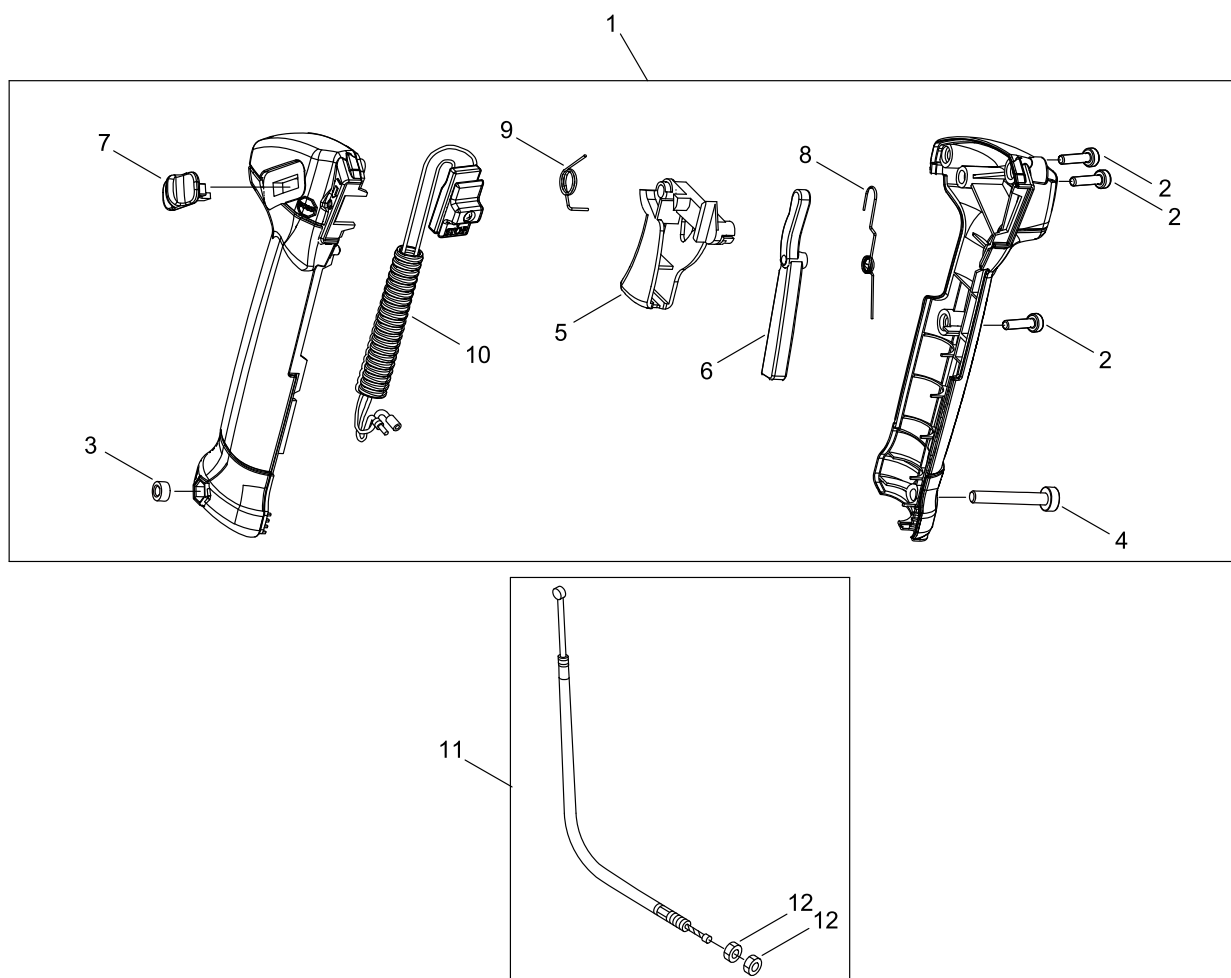
MAIN PIPE, HANDLE



MAIN PIPE, HANDLE

KEY NO	LV(+)	Part No	Description	Qty	Standard	Comment
1		P100-009290	MAIN PIPE ASY	1		
2	+	890617-43130	LABEL,CAUTION	1		
3		C504-001410	SHAFT, DRIVE	1	8*1488	
4		P100-009300	HANDLE SUPPORT KIT	1		
5	+	C415-000173	SUPPORTER, HANDLE	1		
6	+	V355-000751	COLLAR,8	1	SRM-420ES	
7	+	V263-000020	NUT,5	2		
8	+	V265-000630	NUT,8	1	13X42XT10-M8	
9	+	101538-28230	GROMMET,PLUG	1		
10	+	C427-000050	STOPPER, HANDLE	2		
11	+	V150-003590	PLATE,EYE	1		
12	+	C648-000030	HOLDER,LIFTING	1		
13	+	V805-000150	BOLT, TORX 5	2	TB-5*16 10.9	
14	+	C480-000140	GUIDE, CABLE	1		
15	+	V420-005570	CUSHION	2		
16	+	P200-000540	FIXTURE,CUSHION ASY	1		
17	+	V495-003660	BAND	1		
18	+	900603-00006	WASHER	1	6	
19	+	V806-000050	BOLT, TORX 6	1	TB-6*20 12.9	
20	+	V490-001220	CLIP	1		
21	+	V420-004100	CUSHION	2		
22		C400-001440	HANDLE,FRONT	1	22X T2.0	
23		C403-000810	GRIP, HANDLE	1		
24		C441-000000	PIECE,HAND GUARD	1	22	
25		V805-000070	BOLT, TORX 5	1	TB-5*40 10.9	
26		900562-50005	NUT, LOCK	1	5	
27		P100-009310	PIPE FIXTURE SET	1		
28	+	C423-001070	FIXTURE, HANDLE	1		
29	+	C423-001080	FIXTURE, HANDLE	1		
30	+	V299-000110	KNOB,FASTENER	1		
31	+	175049-03920	WASHER	1		
32	+	V203-002500	BOLT,5	2	TB-5*30	
33	+	900605-00005	WASHER, SPRING	2	5	
34	+	900620-00005	WASHER	2	5	
35	+	900720-20007	O-RING	1	P-7	

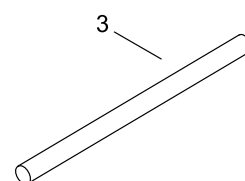
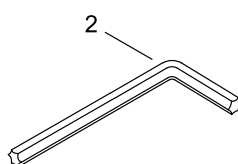
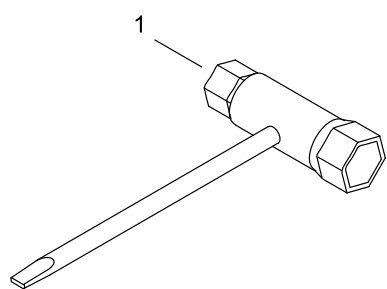
THROTTLE



THROTTLE

KEY NO	LV(+)	Part No	Description	Qty	Standard	Comment
1		P100-006090	THROTTLE ASY	1		
2	+	V804-000010	BOLT, TORX 4	3	TT-4*16 DG 10.9	
3	+	V805-000060	BOLT, TORX 5	1	TB-5*35 10.9	
4	+	900500-00005	NUT	1	5	
5	+	C450-000880	CONTROL, THROTTLE	1		
6	+	C460-000490	LOCKOUT, THROTTLE	1		
7	+	C463-000000	KNOB,LATCH	1		
8	+	V452-001540	SPRING,TORSION	1		
9	+	V452-000060	SPRING,TORSION	1		
10	+	P021-041471	SWITCH,ON OFF ASY	1		
11		V430-004690	CABLE,BOWDEN	1		
12	+	900502-00006	NUT	2	6	

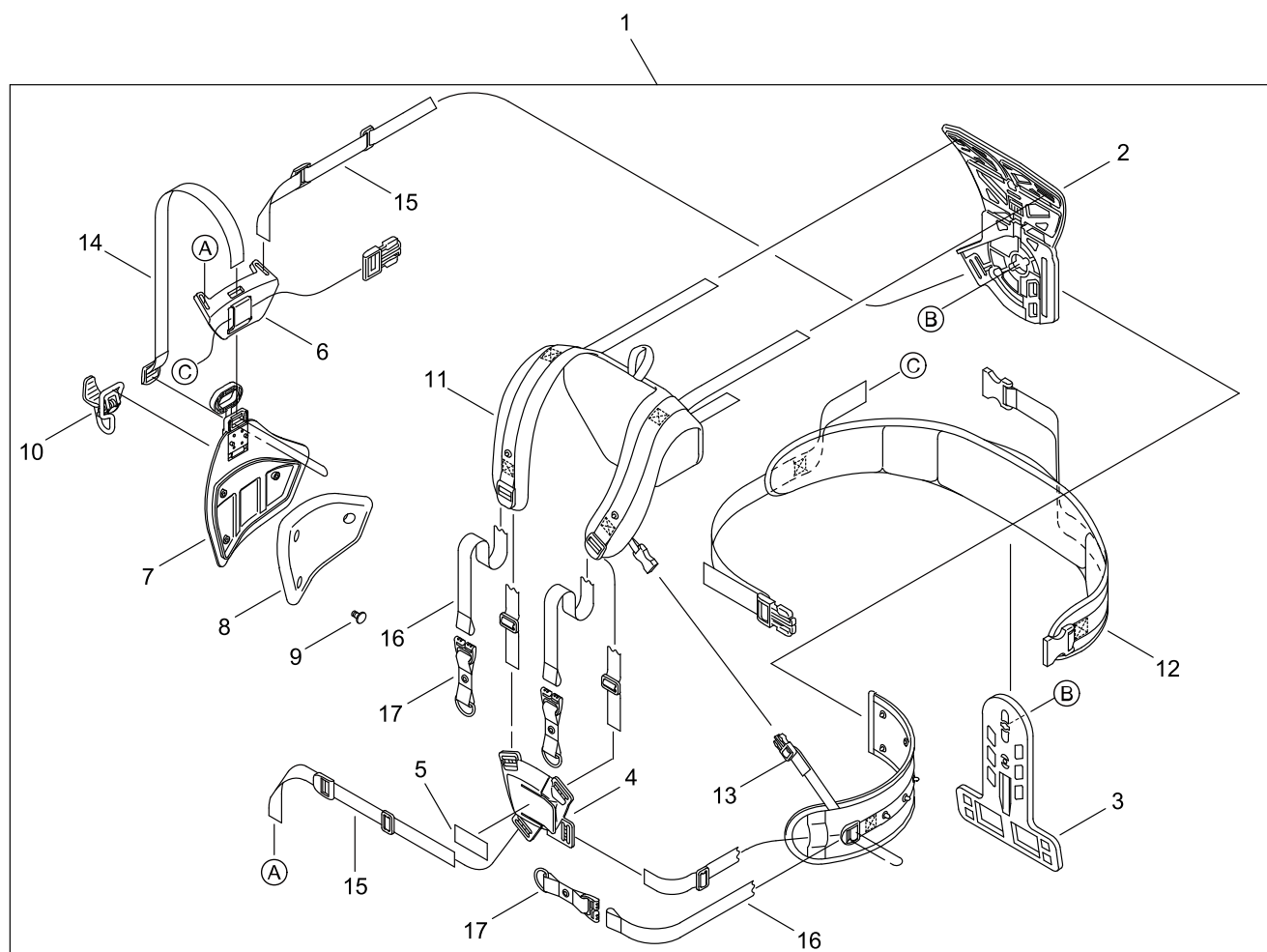
ACCESSORIES



ACCESSORIES

KEY NO	LV(+)	Part No	Description	Qty	Standard	Comment
1		X602-000020	TOOL,WRENCH	1	17*19 L200	
2		X605-000170	TOOL,L WRENCH	1		
3		X606-000080	TOOL,BAR	1	5*120	

HARNESS



HARNESS

KEY NO	LV(+)	Part No	Description	Qty	Standard	Comment
1		C062-000591	HARNESS, SHOULDER	1	ECHO	
2	+	C630-000230	SEAT, BACKPACK	1		
3	+	C630-000250	SEAT, BACKPACK	1		
4	+	P021-047390	BUCKLE, HARNESS SET	1		
5	+	X502-000390	LABEL,ECHO	1	ECHO 72.5*15	
6	+	C652-000070	PAD, WAIST	1		
7	+	P021-047231	PAD, WAIST ASY	1		
8	+	C652-000080	PAD, WAIST	1		
9	+	V491-000490	CLIP	3	#3S53	
10	+	C063-000050	HOOK,LIFTING	1		
11	+	C644-000220	PAD, HARNESS	1		
12	+	C651-000070	BELT, HARNESS	1	ECHO	
13	+	C652-000090	PAD, WAIST	1		
14	+	C650-000000	ADJUSTER,STRAP	1		
15	+	C650-000010	ADJUSTER,STRAP	2		
16	+	C650-000020	ADJUSTER,STRAP	3		
17	+	C653-000000	END,BELT	3		

NUMERICAL PARTS INDEX

Part No	Part description	Page	Part No	Part description	Page	Part No	Part description	Page
100015-3-2330	CIRCLIP, PISTON PIN	2	123149-5-4230	WASHER	12	900502-0-0006	NUT	24
100142-1-2330	KEY, WOODRUFF	6	123173-0-7930	CLIP	12	900562-0-0005	NUT, LOCK	20
100213-0-0310	OILSEAL	4	123181-3-9130	PUMP, PRIMER	10	900562-5-0005	NUT, LOCK	22
101538-2-8230	GROMMET, PLUG	22	130110-1-4530	PIPE, IMPULSE	14	900565-0-0005	NUT, SQUARE	20
123110-0-3930	SCREW, PUMP COVER	12	130111-0-0530	CLIP	14	900603-0-0006	WASHER	22
123112-1-5030	DIAPHRAGM, FUEL PUMP	12	131300-5-6431	VENT ASSEMBLY, FUEL	14	900605-0-0005	WASHER, SPRING	22
123113-4-7530	SPRING, THR. RTN.	12	132115-0-1462	GROMMET	14	900620-0-0005	WASHER	22
123114-3-8830	SCREW	12	132115-5-5931	GROMMET, FUEL	14	900701-0-0012	RETAINING RING, EXTERNAL	8
123122-0-3660	SPRING, METER. LEVER	12	156110-0-4920	BUSHING	4	900701-0-0012	RETAINING RING, EXTERNAL	20
123123-0-3930	LEVER, METERING	12	156110-0-4920	BUSHING	6	900701-0-0015	RETAINING RING, EXTERNAL	20
123125-1-5030	GASKET, FUEL PUMP	12	156114-0-7320	GROMMET	6	900702-0-0028	RETAINING RING, INTERNAL	8
123126-1-0631	SCREEN, INLET	12	159116-2-1231	CLAMP	4	900702-0-0035	RETAINING RING, INTERNAL	20
123127-0-3930	CLIP, THROTTLE SHAFT	12	175016-5-4430	HUB, CLUTCH	8	900720-2-0007	O-RING	22
123130-0-2960	SCREW	12	175049-0-3920	WASHER	22	900810-3-6202	BEARING, BALL	4
123133-0-4260	SPRING, IDLE ADJUST	12	177228-1-1120	GRIP, STARTER	18	91316-04-010	SCREW	20
123134-0-4260	SCREW, IDLE ADJUST	12	177247-0-4630	SPACER, RATCHET	6	92105-08-000	NUT L, FLANGE	6
123135-1-0630	SPRING, CHOKE FRICT.	12	610320-4-7530	NUT L, LOCK	20	92411-14-000	RETAINING RING, EXTERNAL	20
123136-1-0630	BALL, CHOKE FRICTION	12	610334-0-6230	SPACER, OILSEAL	20	94018-46-001	BEARING, BALL	8
123137-1-9830	VALVE, INLET NEEDLE	12	610352-5-6830	PLATE, CUP	20	94060-06-001	BEARING, BALL	20
123138-0-3930	PIN, METERING LEVER	12	610413-4-7530	OILSEAL IS 20 35 7	20	94060-06-202	BEARING, BALL	20
123139-0-3930	SCREW, M. LEVER PIN	12	610434-5-0031	BOLT 8* 8	20	94063-06-202	BEARING, BALL	20
123140-2-7230	GASKET, M. DIAPHRAGM	12	890617-4-3130	LABEL, CAUTION	22	A011-00-1350	CRANKSHAFT, ASY	2
123142-0-3930	COVER, M. DIAPHRAGM	12	900220-0-4006	SCREW	20	A021-00-4220	CARBURETOR, DIAPHRAGM	10
123146-1-0631	PLUG, WELCH	12	900500-0-0005	NUT	24	A021-00-4220	CARBURETOR, DIAPHRAGM	12

NUMERICAL PARTS INDEX

Part No	Part description	Page	Part No	Part description	Page	Part No	Part description	Page
A051-00-2881	STARTER,RECOIL ASY	18	A393-00-0320	BRACKET,FUEL TANK	14	C463-00-0000	KNOB,LATCH	24
A101-00-0690	RING, PISTON	2	A393-00-0330	BRACKET,FUEL TANK	14	C480-00-0140	GUIDE, CABLE	22
A130-00-2191	CYLINDER	2	A409-00-1210	ROTOR, MAGNETO	6	C487-00-0410	HOLDER, CABLE	10
A160-00-2632	COVER,CYLINDER	2	A411-00-1480	COIL, IGNITION	6	C504-00-1410	SHAFT, DRIVE	22
A160-00-2930	COVER,CYLINDER	2	A425-00-0000	SPARKPLUG	6	C511-00-0190	COLLAR, MAIN PIPE	20
A172-00-2600	COVER,FAN	18	A426-00-0010	TERMINAL, SPARKPLUG	6	C534-00-0522	SHAFT,GEAR	20
A175-00-0331	STAND	14	A427-00-0060	CAP,SPARK PLUG	6	C535-00-0441	FIXTURE, BLADE	20
A200-00-0990	INSULATOR, INTAKE	10	A429-00-0090	COVER,CAP	6	C535-00-0460	FIXTURE, BLADE	20
A202-00-0270	BELLOWS, INTAKE	10	A514-00-0280	PAWL	6	C550-00-0541	SHIELD, BLADE	20
A209-00-0720	PLATE, INSULATOR	10	A556-00-0181	DRUM,CLUTCH	8	C552-00-0200	PLATE, SHIELD	20
A209-00-0740	PLATE, INSULATOR	4	A557-00-0200	SHAFT,CLUTCH	8	C554-00-0001	KNIFE,CORD	20
A209-00-0840	PLATE, INSULATOR	10	A566-00-0260	SPRING, CLUTCH	8	C630-00-0230	SEAT, BACKPACK	28
A225-00-0690	CASE,CLEANER	10	A570-00-0291	CASE,CLUTCH	8	C630-00-0250	SEAT, BACKPACK	28
A226-00-0361	ELEMENT, AIR FILTER	10	C062-00-0591	HARNESS, SHOULDER	28	C644-00-0220	PAD, HARNESS	28
A226-00-1740	ELEMENT, AIR FILTER	10	C063-00-0050	HOOK,LIFTING	28	C648-00-0030	HOLDER,LIFTING	22
A227-00-0040	PLATE, ELEMENT	10	C400-00-1440	HANDLE,FRONT	22	C650-00-0000	ADJUSTER,STRAP	28
A244-00-0290	PLATE, PREVENT	10	C403-00-0810	GRIP, HANDLE	22	C650-00-0010	ADJUSTER,STRAP	28
A320-00-1110	COVER,MUFFLER	16	C415-00-0173	SUPPORTER, HANDLE	22	C650-00-0020	ADJUSTER,STRAP	28
A350-00-2021	TANK, FUEL	14	C423-00-1070	FIXTURE, HANDLE	22	C651-00-0070	BELT, HARNESS	28
A365-00-0060	CONNECTOR,CAP	14	C423-00-1080	FIXTURE, HANDLE	22	C652-00-0070	PAD, WAIST	28
A369-00-0001	STRAINER, FUEL	14	C427-00-0050	STOPPER, HAMDLE	22	C652-00-0080	PAD, WAIST	28
A390-00-0050	SEAT,FUEL TANK	14	C441-00-0000	PIECE,HAND GUARD	22	C652-00-0090	PAD, WAIST	28
A390-00-0060	SEAT,FUEL TANK	14	C450-00-0880	CONTROL, THROTTLE	24	C653-00-0000	END,BELT	28
A393-00-0300	BRACKET,FUEL TANK	18	C460-00-0490	LOCKOUT, THROTTLE	24	P003-00-0310	VALVE THROTTLE	12

NUMERICAL PARTS INDEX

Part No	Part description	Page	Part No	Part description	Page	Part No	Part description	Page
P003-00-1790	VALVE, CHOKE	12	P022-03-7550	STARTER CASE	18	V186-00-0510	JOINT,PIPE	14
P003-00-1850	DIAPHRAGM, METERING	12	P022-03-7560	ROPE, STARTER	18	V203-00-2500	BOLT,5	22
P003-00-2270	NEEDLE	12	P022-03-7670	STOPPER, ROPE	18	V253-00-0100	SCREW,5	10
P003-00-2380	SCREW	12	P022-04-5770	GUIDE, ROPE	18	V263-00-0020	NUT,5	22
P003-00-5020	SHAFT ASM THROTTLE	12	P100-00-0100	CLUTCH SHOE SET	8	V265-00-0630	NUT,8	22
P003-00-5120	SCREW	12	P100-00-5120	MUFFLER ASY	16	V299-00-0110	KNOB,FASTENER	22
P003-00-5450	PUMP COVER ASY	12	P100-00-6090	THROTTLE ASY	24	V308-00-0100	WASHER,CIRCULAR 11	2
P003-00-5460	SWIVEL	12	P100-00-6140	CASE,CLUTCH ASY	8	V314-00-0250	WASHER,CIRCULAR 24-2	20
P003-00-5470	SHAFT ASY, CHOKE	12	P100-00-9270	CASE ASY, GEAR	20	V355-00-0751	COLLAR,8	22
P021-01-2211	CAP,FUEL ASY	14	P100-00-9280	SHIELD ASY	20	V376-00-1650	SPACER	8
P021-04-1471	SWITCH,ON OFF ASY	24	P100-00-9290	MAIN PIPE ASY	22	V420-00-4100	CUSHION	22
P021-04-3981	SHIELD ASY, BLADE	20	P100-00-9300	HANDLE SUPPORT KIT	22	V420-00-4860	CUSHION	14
P021-04-7120	CRANK CASE SET	4	P100-00-9310	PIPE FIXTURE SET	22	V420-00-5570	CUSHION	22
P021-04-7231	PAD, WAIST ASY	28	P200-00-0540	FIXTURE,CUSHION ASY	22	V423-00-0130	HOLDER,CUSHION	14
P021-04-7381	CLEANER LID ASY	10	V000-00-0310	GEAR SET, BEVEL	20	V430-00-4690	CABLE,BOWDEN	24
P021-04-7390	BUCKLE, HARNESS SET	28	V100-00-0790	GASKET,CYL	2	V452-00-0060	SPRING,TORSION	24
P021-05-0440	PISTON KIT	2	V102-00-0260	GASKET, CRANKCASE	4	V452-00-1471	SPRING,TORSION	6
P021-05-0810	SHIELD BLADE ASY	20	V103-00-0500	GASKET,INTAKE	10	V452-00-1540	SPRING,TORSION	24
P022-00-4680	SPRING, SPIRAL	18	V103-00-1610	GASKET,INTAKE	10	V453-00-0100	SPRING,FLAT	8
P022-02-2010	NUT	18	V103-00-1620	GASKET,INTAKE	10	V470-00-0841	PIPE	14
P022-02-3110	SCREW	18	V104-00-2030	GASKET,EXHAUST	16	V471-00-0630	PIPE	14
P022-02-3120	SPRING,DAMPER	18	V104-00-2170	GASKET,EXHAUST	16	V471-00-0741	PIPE	4
P022-02-3140	DRUM, STARTER	18	V107-00-0190	GASKET,FUEL CAP	14	V471-00-1301	PIPE	10
P022-03-3830	CAM	18	V150-00-3590	PLATE,EYE	22	V471-00-2311	PIPE	14

NUMERICAL PARTS INDEX

Part No	Part description	Page	Part No	Part description	Page	Part No	Part description	Page
V475-00-7540	TUBE	6	V805-00-0150	BOLT, TORX 5	18	X602-00-0020	TOOL,WRENCH	26
V475-00-7550	TUBE	6	V805-00-0150	BOLT, TORX 5	20	X605-00-0170	TOOL,L WRENCH	26
V475-00-7720	TUBE	14	V805-00-0150	BOLT, TORX 5	22	X606-00-0080	TOOL,BAR	26
V475-00-8080	TUBE	4	V805-00-0160	BOLT, TORX 5	8			
V475-00-8080	TUBE	6	V805-00-0170	BOLT, TORX 5	20			
V485-00-2331	LEAD	6	V805-00-0180	BOLT, TORX 5	4			
V485-00-2570	LEAD	6	V805-00-0210	BOLT, TORX 5	2			
V490-00-0510	CLIP	14	V805-00-0260	BOLT, TORX 5	16			
V490-00-1220	CLIP	22	V805-00-0260	BOLT, TORX 5	20			
V490-00-1240	CLIP	14	V805-00-0300	BOLT, TORX 5	16			
V491-00-0460	CLIP	14	V805-00-0330	BOLT, TORX 5	10			
V491-00-0490	CLIP	28	V806-00-0050	BOLT, TORX 6	16			
V495-00-3660	BAND	22	V806-00-0050	BOLT, TORX 6	22			
V541-00-0540	SEAL	16	V835-00-0000	BOLT, TORX 5	2			
V556-00-0000	BEARING,NEEDLE 11	2	V835-00-0000	BOLT, TORX 5	4			
V609-00-0000	PIN,ENG 11	2	V835-00-0010	BOLT, TORX 5	10			
V804-00-0010	BOLT, TORX 4	24	V835-00-0030	BOLT, TORX 5	14			
V804-00-0030	BOLT, TORX 4	16	V835-00-0030	BOLT, TORX 5	18			
V805-00-0060	BOLT, TORX 5	20	V855-00-0000	BOLT, TORX 5	10			
V805-00-0060	BOLT, TORX 5	24	X426-00-0170	ADAPTER,SAW	20			
V805-00-0070	BOLT, TORX 5	22	X502-00-0390	LABEL,ECHO	28			
V805-00-0140	BOLT, TORX 5	6	X502-00-0900	LABEL,ECHO	18			
V805-00-0140	BOLT, TORX 5	8	X524-00-1901	LABEL	2			
V805-00-0150	BOLT, TORX 5	6	X547-00-3580	LABEL,ECHO	2			