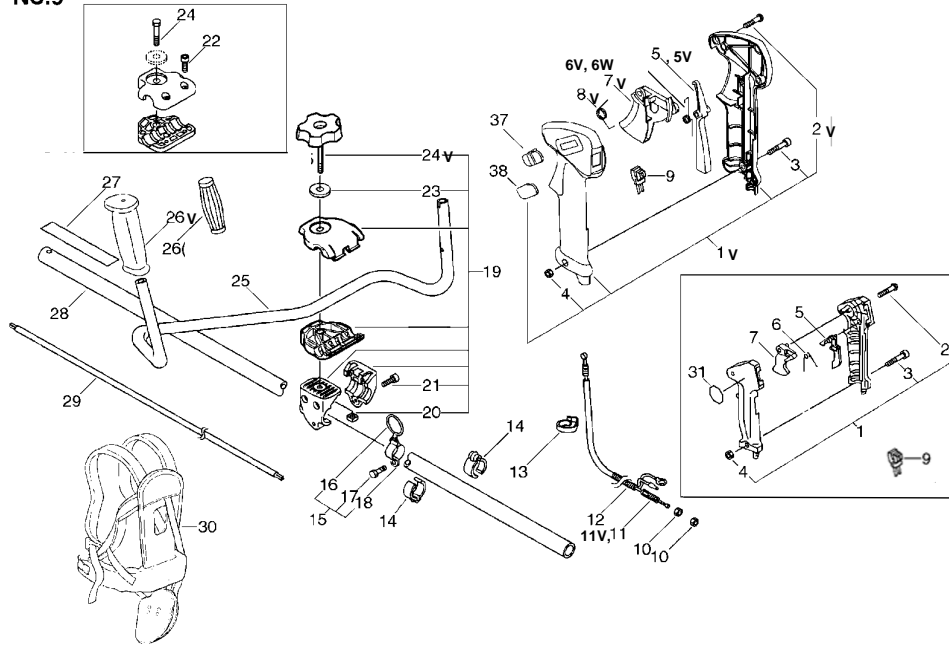


SRM-3155/U, SRM-3155SI/U, SRM-3605/U, SRM-3605SI/U

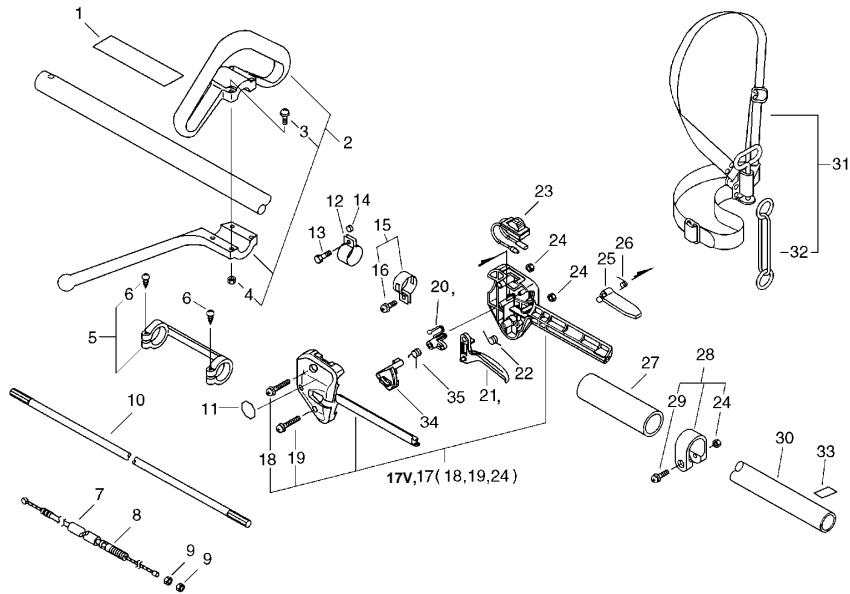
No.9



Key No.	Lv.	Parts No.	Qty	Description	Technical Information	Comment
1		351102-47530	1	GRIP ASSY, F-HANDLE	2001-050	SRM-3155/U (S/N 029420 and before), SRM-3605/U (S/N 024044 and before)
2	+	900246-03025	4	SCREW 3*25	2001-050	
3	+	900220-05030	1	SCREW 5*30		
4	+	900500-00005	1	NUT 5		
5		178012-05960	1	LOCKOUT, THROTTLE	2001-050	
6		178013-35631	1	SPRING, THR. LOCK	2001-050	
7		178010-05960	1	CONTROL, THROTTLE	2001-050	
9		163400-48030	1	SWITCH, IGNITION		
11		178001-47530	1	WIRE, THROTTLE	2001-050	
31		890157-39130	1	LABEL, SWITCH	2001-050	
1V		P021-002610	1	GRIP ASY,F-HANDLE	2001-050	SRM-3155/U (S/N 029421 and after), SRM-3155SI/U (From the first production) SRM-3605/U (S/N 024045 and after) SRM-3605SI/U (From the first production)
2V	+	900253-04016	3	SCREW 4*16	2001-050	
3	+	900220-05030	1	SCREW 5*30		
4	+	900500-00005	1	NUT 5		
38	+	V162-000130	1	PLUG		
5V		C460-000010	1	LOCKOUT,THROTTLE	2001-050	
6V		V452-000050	1	SPRING,TORSION	2001-050, 2003-128	
6W		V452-000130	1	SPRING,TORSION	2003-128	
7V		C450-000022	1	TRIGGER,THROTTLE	2003-128	
8V		V452-000060	1	SPRING,TORSION		
9		163400-48030	1	SWITCH, IGNITION		
11V		V430-000410	1	CABLE,BOWDEN	2001-050	
37		C463-000000	1	KNOB,LATCH	2003-128	
10		900502-00006	2	NUT 6 (3N)		
12		178127-47530	1	TUBE		
13		159112-09961	1	CLIP		
14		224924-52930	2	CLIP		
15		301200-05230	1	HOOK ASS'Y		
16	+	301015-05330	1	HOOK, BAND		
17	+	900105-05012	1	BOLT, H.S. 5*12		
18	+	301210-04630	1	HOOK		
19		P021-002760	1	BRACKET ASY, HANDLE	2001-052	
20	+	900565-50008	1	NUT		
21	+	900162-05030	3	BOLT, H.S. 5*30		
23	+	605014-54230	1	WASHER		
24V	+	V299-000110	1	KNOB,FASTENER	2001-052	
22		900162-05020	2	BOLT, H.S. 5*20	2001-052	
24		351421-52130	1	BOLT	2001-052	
25		C400-000000	1	HANDLE,FRONT		
26		351311-02330	1	GRIP,HANDLE	2001-050	
26V		C403-000030	1	GRIP,HANDLE	2001-050	
27		890617-43130	1	LABEL,CAUTION		
28		610206-56930	1	HOUSING ASSY, D.SHFT		
29		610011-06230	1	SHAFT, DRIVE		
30		301001-56831	1	HARNESS ASY,SHOULDER		

SRM-3155/L, SRM-3155SI/L, SRM-3605/L, SRM-3605SI/L

No.12



Key No.	Lv.	Parts No.	Qty	Description	Technical Information	Comment
1		X505-000140	1	LABEL, CAUTION		
2		351201-55630	1	HANDLE ASSY, LOOP		
3	+	900242-05035	4	SCREW 5*35		
4	+	900500-00005	4	NUT 5		
5		610281-42230	1	COLLER		
6	+	900253-04025	2	SCREW 4*25		
7		178001-51030	1	WIRE, THROTTLE		
8		162110-56530	1	TUBE		
9		900502-00006	2	NUT 6 (3N)		
10		610011-06230	1	SHAFT, DRIVE		
11		890157-39130	1	LABEL, SWITCH		
12		301207-07530	1	HOOK		
13		900100-05018	1	BOLT 5*18		
14		699012-03330	1	SPACER		
15		301200-42230	1	HOOK ASSY		
16	+	900242-05014	1	SCREW 5*14		
17		178003-51830	1	BRACKET SET, THROTTLE	2003-128	
17V		P021-005890	1	BRACKET SET, THROTTLE	2003-128	
18	+	900242-05035	1	SCREW 5*35		
19	+	900242-05025	1	SCREW 5*25		
24	+	900500-00005	2	NUT 5		
20		178012-52630	1	LOCKOUT, THROTTLE	2003-128	
20V		C461-000000	1	LOCKOUT, THROTTLE	2003-128	
21		178010-52130	1	CONTROL, THROTTLE	2003-128	
21V		C450-000110	1	CONTROL, THROTTLE	2003-128	
22		178043-42230	1	SPRING, THR. RETURN		
23		163400-49330	1	SWITCH, IGNITION		
25		178090-52630	1	LOCKOUT, T. CONTROL		
26		178013-52630	1	SPRING, THR. LOCK		
27		351213-51830	1	GRIP, FRONT HANDLE		
28		610272-51830	1	BAND		
24	+	900500-00005	1	NUT 5		
29	+	900242-05028	1	SCREW 5*28		
30		610206-56930	1	HOUSING ASSY, D.SHFT		
31		301000-55230	1	HARNESS ASSY		
32	+	301305-24330	1	LINK		
33		890152-04930	1	LABEL, CAUTION		