

# DSRM-2600/L

Serial Number

35000001-35999999

Last updated date

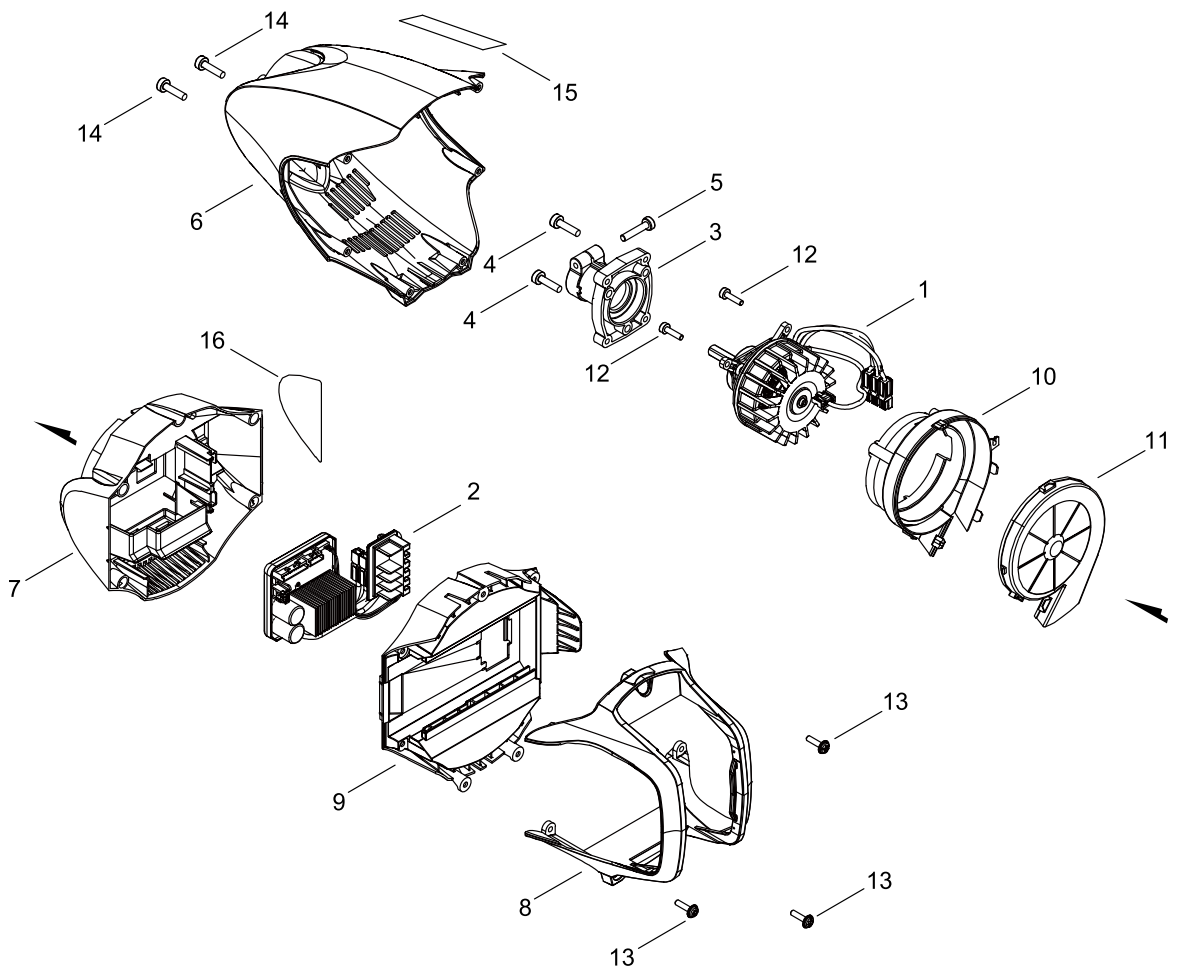
17/Mar/2021

## TABLE OF CONTENTS

---

MOTOR .....	1
GEAR CASE, SHIELD .....	3
MAIN PIPE, HANDLE.....	5
CONTROL .....	7
ACCESSORIES .....	9

# MOTOR



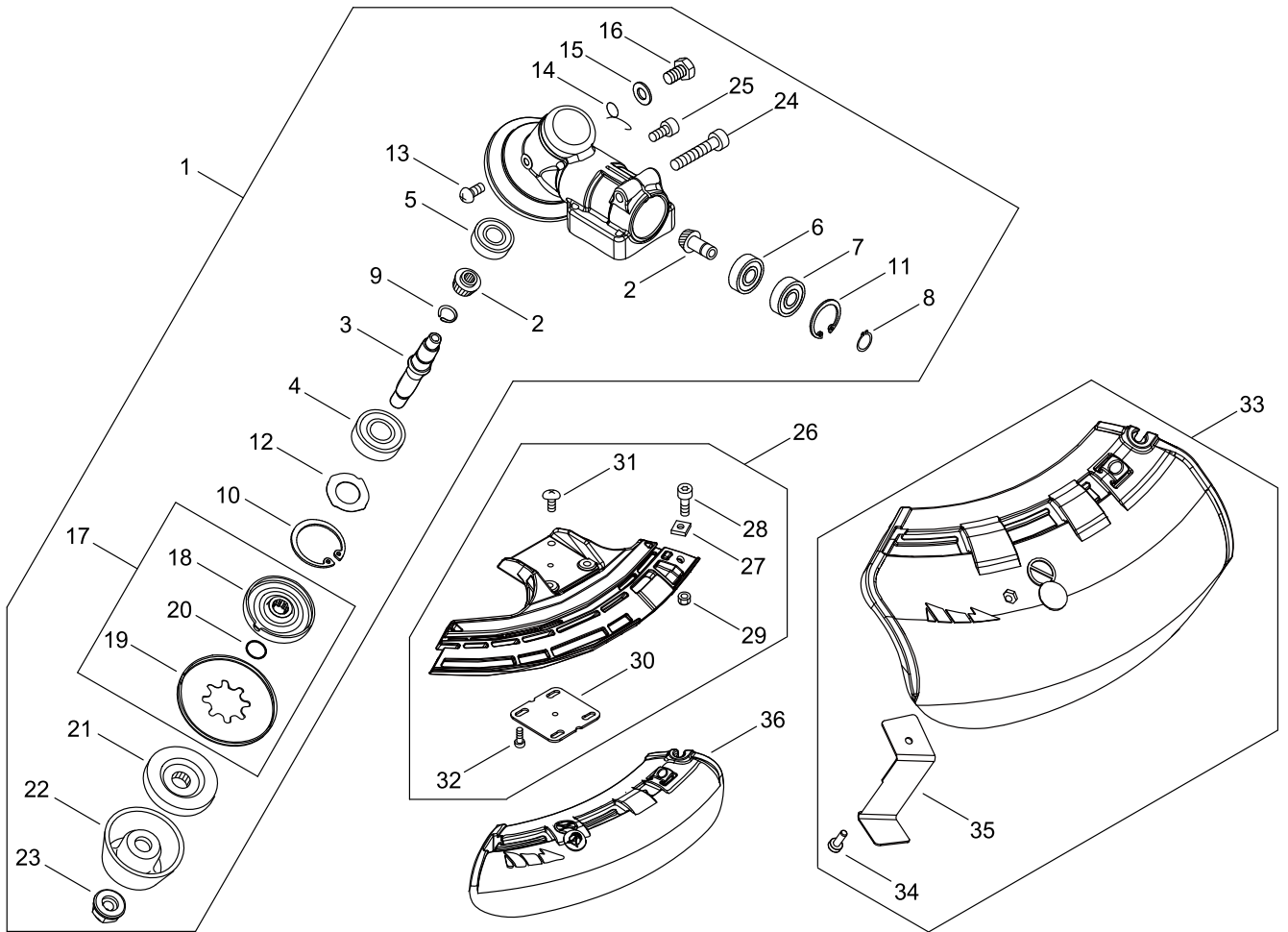
## MOTOR

Key No.	LV (+)	Parts Number	Parts Description	Qty	Standard	Class
1		A054-000330	MOTOR,ASM	1		
2		A047-000450	BOARD,ASM CONTROL	1		
3		A575-000770	FIXTURE, MAIN PIPE	1		
4		V805-000160	BOLT, TORX 5	3	TB-5*20 10.9	C
5		V805-000170	BOLT, TORX 5	1	TB-5*25 10.9	C
6		A539-000490	COVER,MOTOR	1		
7		A161-000440	DUCT, AIR	1		
8		C145-000190	COVER,BATTERY	1		
9		C146-000030	HOLDER,BATTERY	1		
10		E103-001680	CASE,FAN	1		
11		E103-001690	CASE,FAN	1		
12		V804-000170	BOLT, TORX 4	3	TT-P 4*16	C
13		V804-000190	BOLT, TORX 4	7	TT-P 4*16	
14		V805-000160	BOLT, TORX 5	4	TB-5*20 10.9	C
15		X502-000390	LABEL,ECHO	1	ECHO 72.5*15	D
16		X503-015940	LABEL,MODEL	1	DSRM-2600	

Class : Consumable class

A:Fast moving parts B:Semi-fast moving parts C:Slow moving parts D:Order only as needed

# GEAR CASE, SHIELD



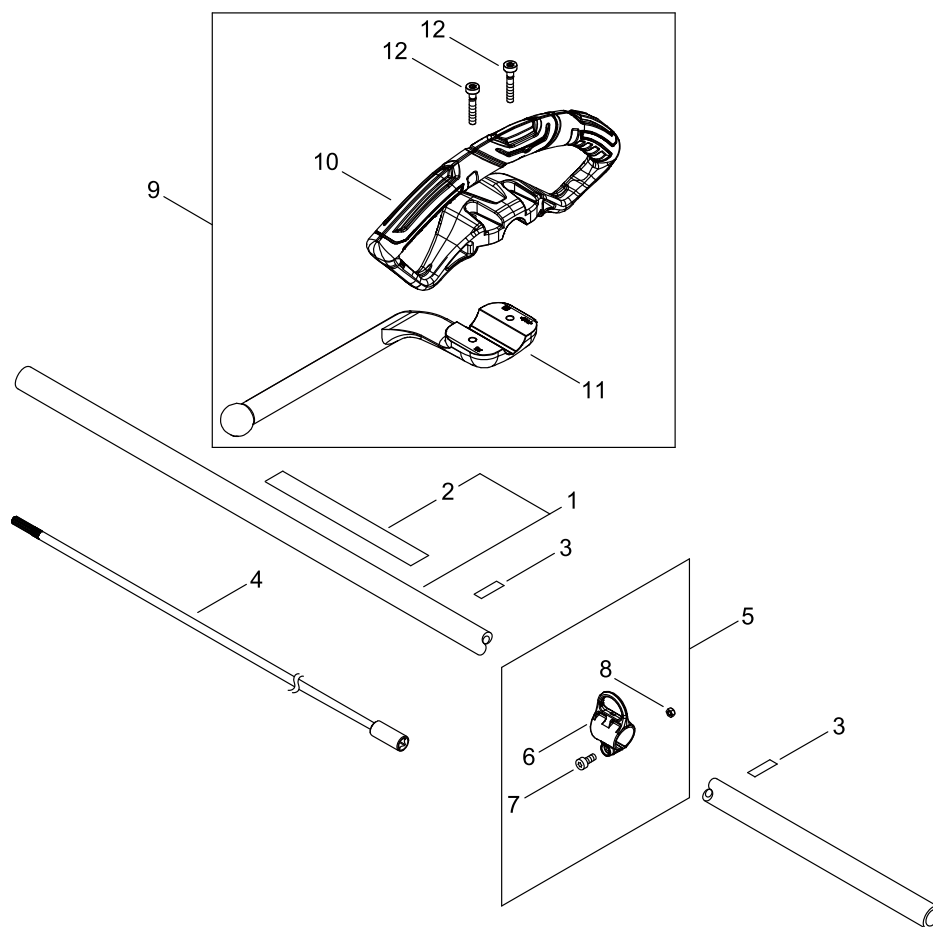
## GEAR CASE, SHIELD

Key No.	LV (+)	Parts Number	Parts Description	Qty	Standard	Class
1		P100-004840	CASE,GEAR ASY	1		
2	++	V000-000260	GEAR SET, BEVEL	1		D
3	+	C534-001080	SHAFT, GEAR	1		D
4	+	900812-06201	BEARING, BALL	1	6201LLU(DDU)	
5	+	900810-00629	BEARING, BALL	1	629	
6	+	900800-00609	BEARING, BALL	1	609	
7	+	900803-00609	BEARING, BALL	1	609Z	
8	+	900701-00009	RETAINING RING	1	CS-9	
9	+	900706-00012	RETAINING RING	1	WR-12	
10	+	900702-00032	RETAINING RING	1	CR-32	
11	+	900702-00025	RETAINING RING	1	CR-25	
12	+	V340-000180	WASHER	1		C
13	+	900220-04006	SCREW	1	4*6	
14	+	V452-001310	SPRING,TORSION	1		B
15	+	900603-50008	WASHER	1	8.5*18*0.8T	C
16	+	610434-50031	BOLT 8* 8	1	M8*8	C
17	+	610313-52932	FIXTURE,BLADE	1		C
18	++	610313-52132	FIXTURE,BLADE	1		C
19	++	610352-56830	PLATE, CUP	1		C
20	++	900720-00012	O-RING	1	P-12	
21	+	610314-52130	PLATE, ADAPTER (L)	1		C
22	+	699229-56830	PLATE, COVER	1		C
23	+	610320-52130	NUT 10	1		C
24	+	V806-000020	BOLT, TORX 6	1	TB-6*25 10.9	C
25	+	V805-000130	BOLT, TORX 5	1	TB-5*10 10.9	C
26		P100-010520	SHIELD ASY	1		B
27	+	900565-00005	NUT, SQUARE	1	5	
28	+	V805-000170	BOLT, TORX 5	1	TB-5*25 10.9	C
29	+	900562-00005	NUT, LOCK	1	5	
30	+	C552-000200	PLATE, SHIELD	1		D
31	+	91316-04010	SCREW	1	4*10	
32	+	V805-000260	BOLT, TORX 5	4	TB5*25 10.9	C
33		P100-010830	SHIELD ASY	1		
34	+	V805-000150	BOLT, TORX 5	1	TB-5*16 10.9	C
35	+	C554-000090	KNIFE, CORD	1	16INCH	
36		C550-000551	SHIELD,BLADE	1		B

Class : Consumable class

A:Fast moving parts B:Semi-fast moving parts C:Slow moving parts D:Order only as needed

# MAIN PIPE, HANDLE



## MAIN PIPE, HANDLE

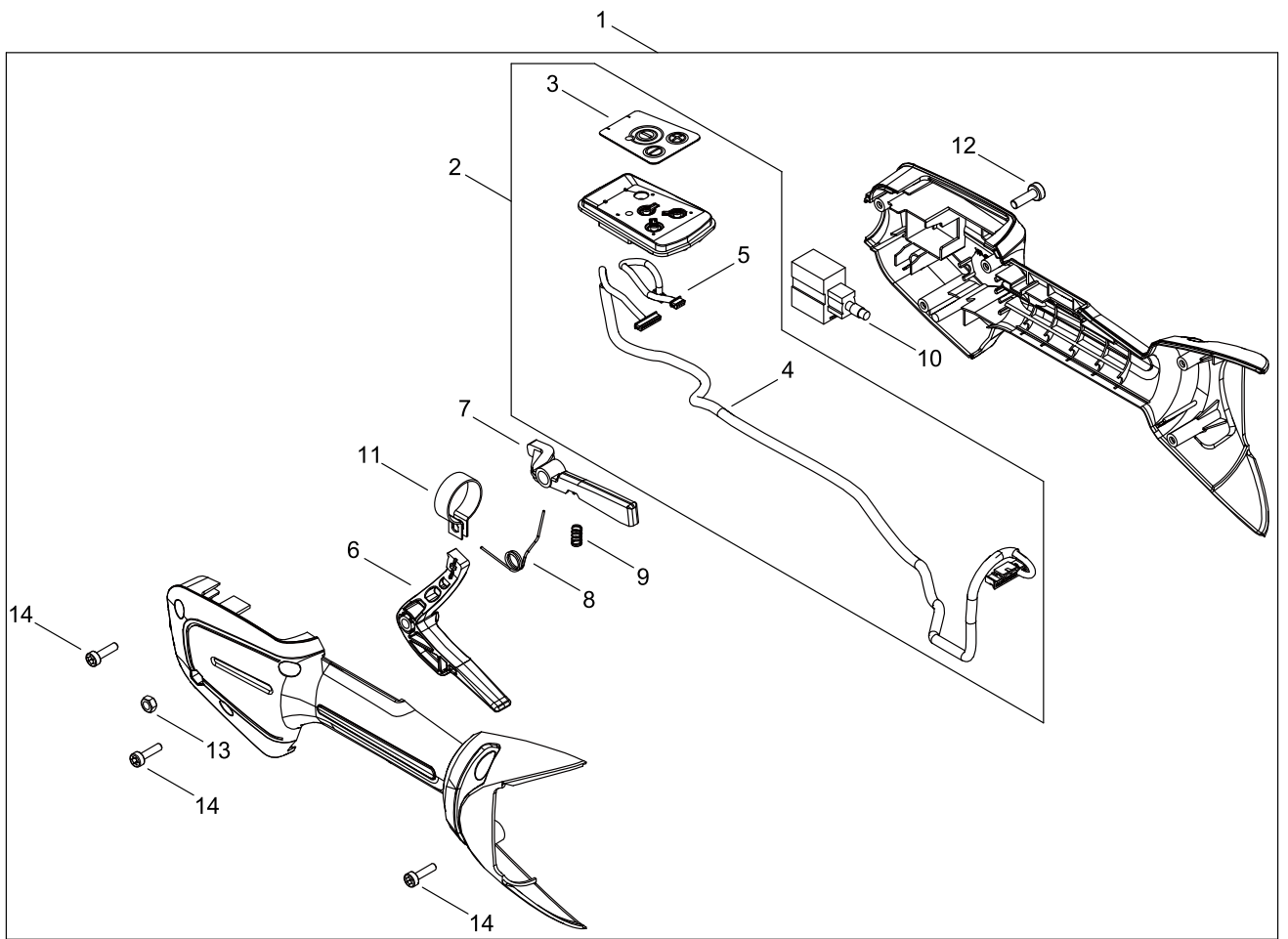
Key No.	LV (+)	Parts Number	Parts Description	Qty	Standard	Class
1		P100-010840	MAIN PIPE ASY	1		
2	+	X505-011600	LABEL,CAUTION	1	SHAFT CAUTION	
3		890152-04930	LABEL, CAUTION	2		D
4		C504-001490	SHAFT, DRIVE	1	7*1586	
5		P100-010550	HOOK ASY	1		D
6	+	C670-000240	HOOK,LIFTING	1		C
7	+	V805-000320	BOLT, TORX 5	1	TB-5*16 10.9	C
8	+	900500-00005	NUT	1	5	
9		P100-010860	HANDLE ASY	1		
10	+	C400-001480	HANDLE, FRONT	1	2-SHOT SRM STYLE	C
11	+	C405-000170	BRACKET,HANDLE	1	BARRIER BAR	C
12	+	V805-000050	BOLT, TORX 5	2	TB-5*30 10.9	C

Class : Consumable class

A:Fast moving parts B:Semi-fast moving parts C:Slow moving parts D:Order only as needed



# CONTROL



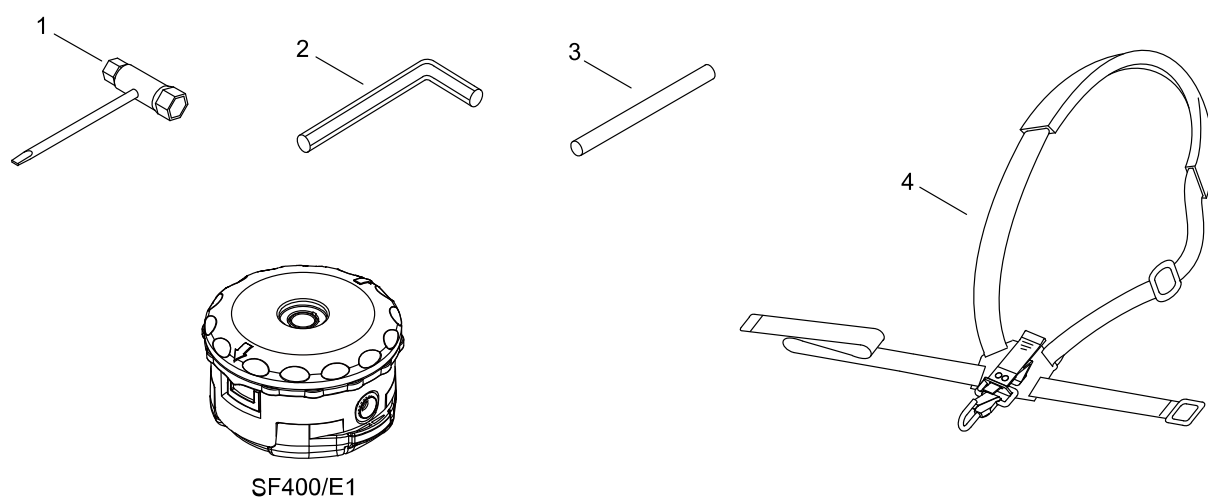
## CONTROL

Key No.	LV (+)	Parts Number	Parts Description	Qty	Standard	Class
1		P100-010870	CONTROL LEVER ASY	1		
2	+	A047-000460	BOARD,ASM CONTROL	1		
3	++	X510-001290	LABEL,SWITCH	1		
4	++	C130-001150	HARNESS,WIRE	1		
5	++	C130-001160	HARNESS,WIRE	1		
6	+	J361-000800	LEVER	1		
7	+	C490-000020	LOCKOUT	1		
8	+	V452-002000	SPRING,TORSION	1		
9	+	V450-000860	COIL SPRING	1		B
10	+	G334-001830	SWITCH	1	G33407S0080	C
11	+	V495-003020	BAND	1		C
12	+	V805-000150	BOLT, TORX 5	1	TB-5*16 10.9	C
13	+	900590-00005	NUT	1	5	
14	+	V804-000170	BOLT, TORX 4	5	TT-P 4*16	C

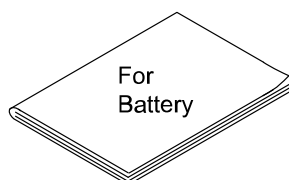
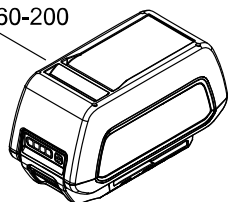
Class : Consumable class

A:Fast moving parts B:Semi-fast moving parts C:Slow moving parts D:Order only as needed

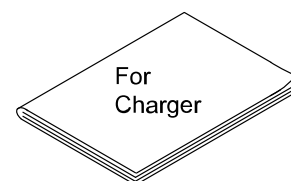
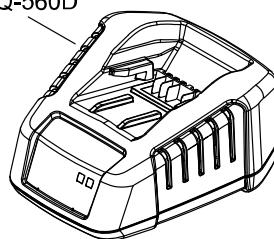
# ACCESSORIES



LBP-560-200



LCJQ-560D



\* Batteries and charger are handle as accessories instead of spare parts.  
Please place an order of batteries and charger at the same time as unit order.

## ACCESSORIES

Key No.	LV (+)	Parts Number	Parts Description	Qty	Standard	Class
1		X602-000020	TOOL,WRENCH	1	17*19 L200	D
2		X605-000060	TOOL,L WRENCH	1	80*30 T27 2-ENDS	D
3		X606-000080	TOOL,BAR	1	5*120	D
4		C062-000290	HARNESS, SHOULDER	1	カカカカコシハットナシ	B

Class : Consumable class

A:Fast moving parts B:Semi-fast moving parts C:Slow moving parts D:Order only as needed

# NUMERICAL PARTS INDEX

Part No	Part description	Page	Part No	Part description	Page
610313-52132	FIXTURE,BLADE	4	E103-001690	CASE,FAN	2
610313-52932	FIXTURE,BLADE	4	G334-001830	SWITCH	8
610314-52130	PLATE, ADAPTER (L)	4	J361-000800	LEVER	8
610320-52130	NUT 10	4	P100-004840	CASE,GEAR ASY	4
610352-56830	PLATE, CUP	4	P100-010520	SHIELD ASY	4
610434-50031	BOLT 8* 8	4	P100-010550	HOOK ASY	6
699229-56830	PLATE, COVER	4	P100-010830	SHIELD ASY	4
890152-04930	LABEL, CAUTION	6	P100-010840	MAIN PIPE ASY	6
900220-04006	SCREW	4	P100-010860	HANDLE ASY	6
900500-00005	NUT	6	P100-010870	CONTROL LEVER ASY	8
900562-00005	NUT, LOCK	4	V000-000260	GEAR SET, BEVEL	4
900565-00005	NUT, SQUARE	4	V340-000180	WASHER	4
900590-00005	NUT	8	V450-000860	COIL SPRING	8
900603-50008	WASHER	4	V452-001310	SPRING,TORSION	4
900701-00009	RETAINING RING	4	V452-002000	SPRING,TORSION	8
900702-00025	RETAINING RING	4	V495-003020	BAND	8
900702-00032	RETAINING RING	4	V804-000170	BOLT, TORX 4	2
900706-00012	RETAINING RING	4	V804-000170	BOLT, TORX 4	8
900720-00012	O-RING	4	V804-000190	BOLT, TORX 4	2
900800-00609	BEARING, BALL	4	V805-000050	BOLT, TORX 5	6
900803-00609	BEARING, BALL	4	V805-000130	BOLT, TORX 5	4
900810-00629	BEARING, BALL	4	V805-000150	BOLT, TORX 5	4
900812-06201	BEARING, BALL	4	V805-000150	BOLT, TORX 5	8
91316-04010	SCREW	4	V805-000160	BOLT, TORX 5	2
A047-000450	BOARD,ASM CONTROL	2	V805-000170	BOLT, TORX 5	2
A047-000460	BOARD,ASM CONTROL	8	V805-000170	BOLT, TORX 5	4
A054-000330	MOTOR,ASM	2	V805-000260	BOLT, TORX 5	4
A161-000440	DUCT, AIR	2	V805-000320	BOLT, TORX 5	6
A539-000490	COVER,MOTOR	2	V806-000020	BOLT, TORX 6	4
A575-000770	FIXTURE, MAIN PIPE	2	X502-000390	LABEL,ECHO	2
C062-000290	HARNESS, SHOULDER	10	X503-015940	LABEL,MODEL	2
C130-001150	HARNESS,WIRE	8	X505-011600	LABEL,CAUTION	6
C130-001160	HARNESS,WIRE	8	X510-001290	LABEL,SWITCH	8
C145-000190	COVER,BATTERY	2	X602-000020	TOOL,WRENCH	10
C146-000030	HOLDER,BATTERY	2	X605-000060	TOOL,L WRENCH	10
C400-001480	HANDLE, FRONT	6	X606-000080	TOOL,BAR	10
C405-000170	BRACKET,HANDLE	6			
C490-000020	LOCKOUT	8			
C504-001490	SHAFT, DRIVE	6			
C534-001080	SHAFT, GEAR	4			
C550-000551	SHIELD,BLADE	4			
C552-000200	PLATE, SHIELD	4			
C554-000090	KNIFE, CORD	4			
C670-000240	HOOK,LIFTING	6			
E103-001680	CASE,FAN	2			