



---

**OPTIONAL ATTACHMENTS & ACCESSORIES****Accessories**

103942147	CS Carry Bag
89850308032	Bar & Chain Cover - 17"
89850308033	Bar & Chain Cover - 20"
99988800308	CS Lanyard Strap w_Ring
99988801207	ToughChest Chain Saw Case

**Guide Bars**

16F0AD3366	Guide Bar - 16" (.050" Ga)
16F0MD3366	Guide Bar - 16" (.050" Ga)
18F0MD3372	Guide Bar - 18" (.050" Ga)
20F0AD3378	Guide Bar - 20" (.050" Ga)

**Sawing Chains**

33SL66CQ	Sawing Chain - 16" (.050" Ga)
33SL78CQ	Sawing Chain - 20" (.050" Ga)
95VP66G	Sawing Chain - 16" (.050" Ga)
95VP72G	Sawing Chain - 18" (.050" Ga)

---

**PARTS CATALOG**  
**CS-450 Chain Saw****45.0cc**

---

**SERIAL NUMBERS**

---

S/N: C05713001001 - C05713999999

---

**ECHO, INCORPORATED**

400 Oakwood Road Lake Zurich, Illinois 60047 USA

WWW.ECHO-USA.COM



# Table of Contents

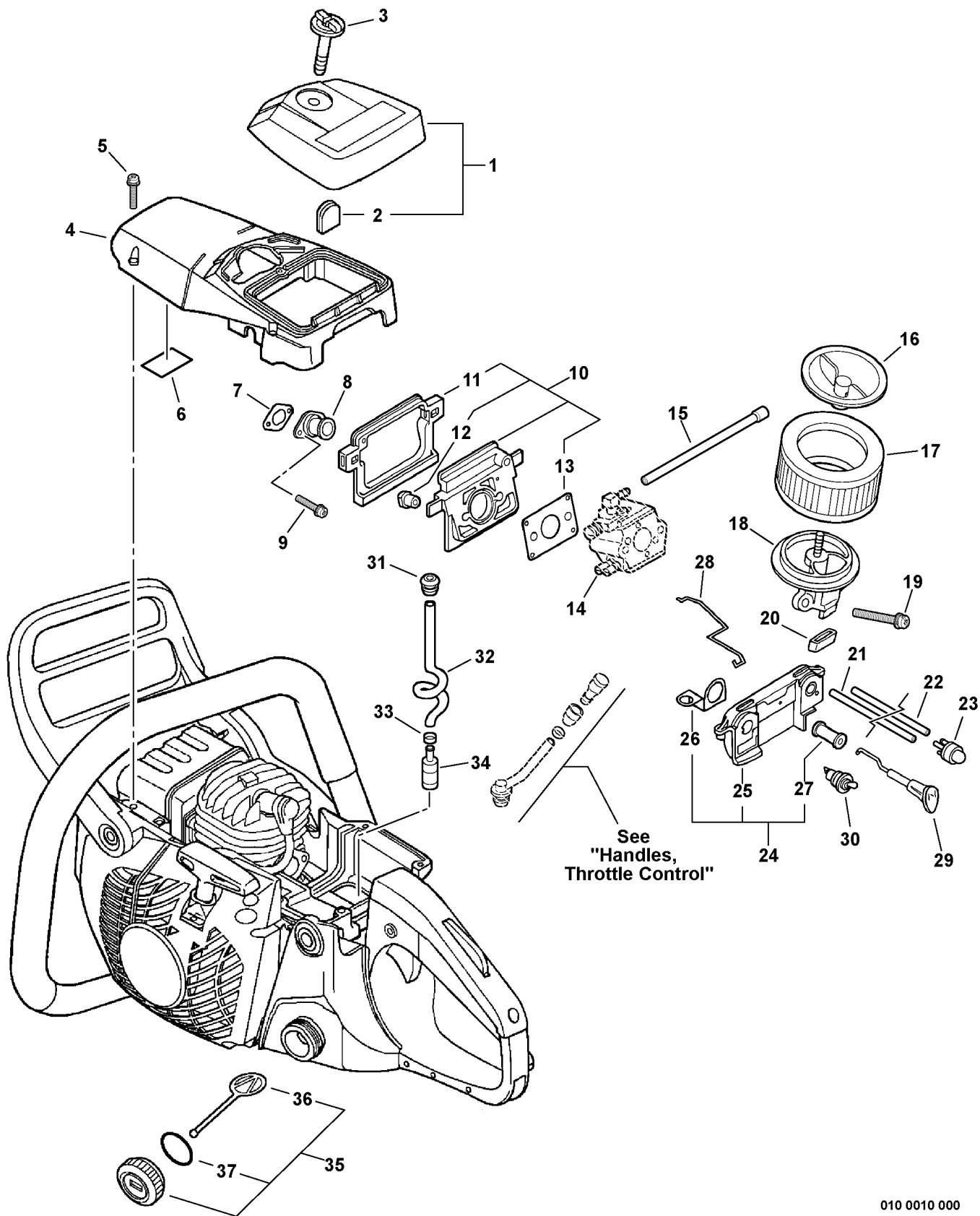
---

Click Any Diagram Description Below To View That Diagram.

## **CS-450 S/N: C05713001001 - C05713999999**

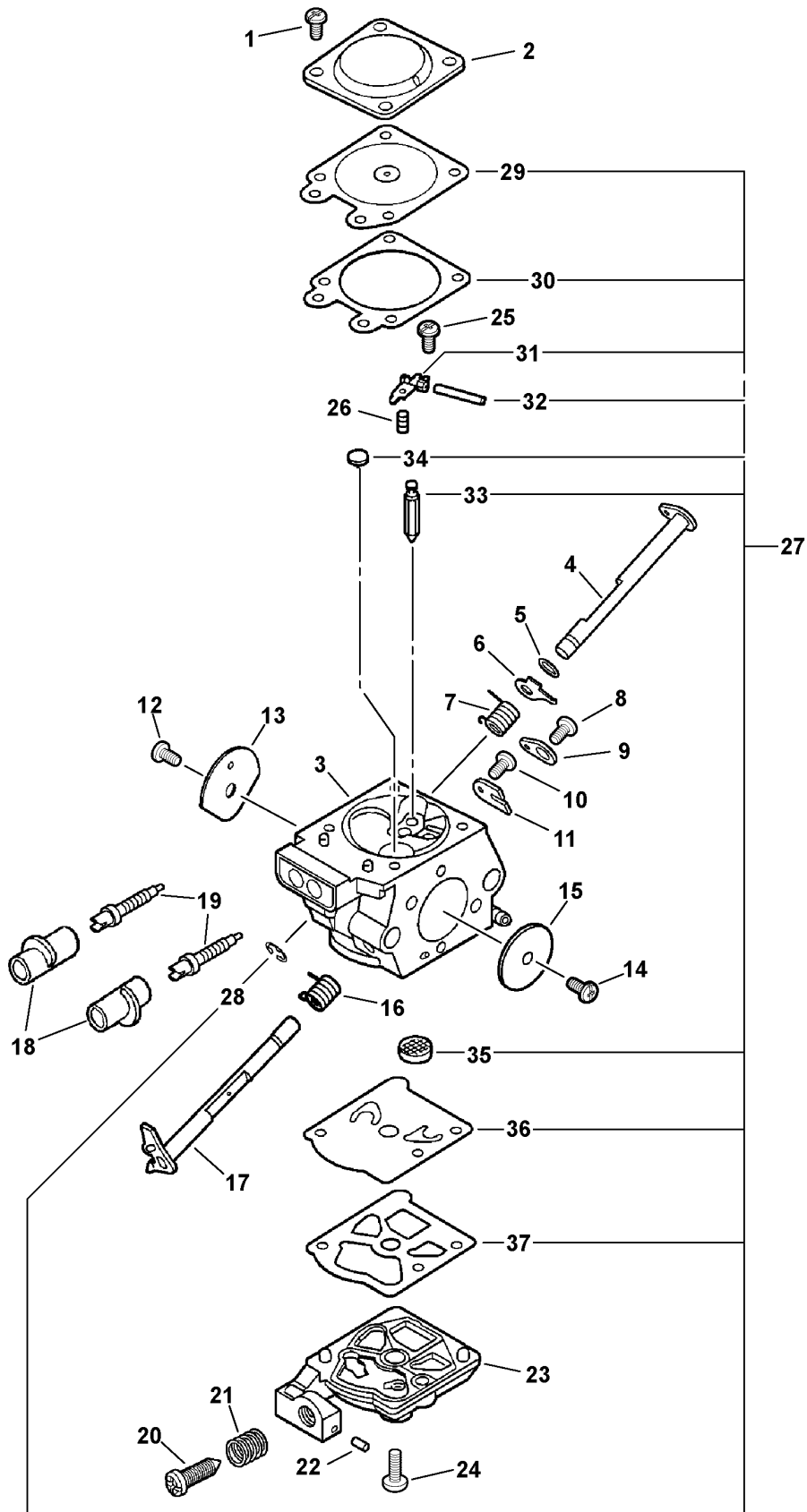
Intake, Cylinder Cover, Ignition Switch, Fuel System.....	4
Carburetor -- WT-901A.....	6
Exhaust.....	8
Chain Brake.....	10
Standard Guide Bar, Sawing Chain, Kick Guard.....	12
Clutch.....	14
Starter.....	16
Ignition.....	18
Handles, Throttle Control.....	20
Auto-Oiler, Oil Tank.....	22
Engine, Short Block -- SB1094, Engine Cover.....	24
Labels.....	26
Tools.....	28
Part Number Index.....	30
Part Description Index.....	31

***This Page Intentionally Left Blank***



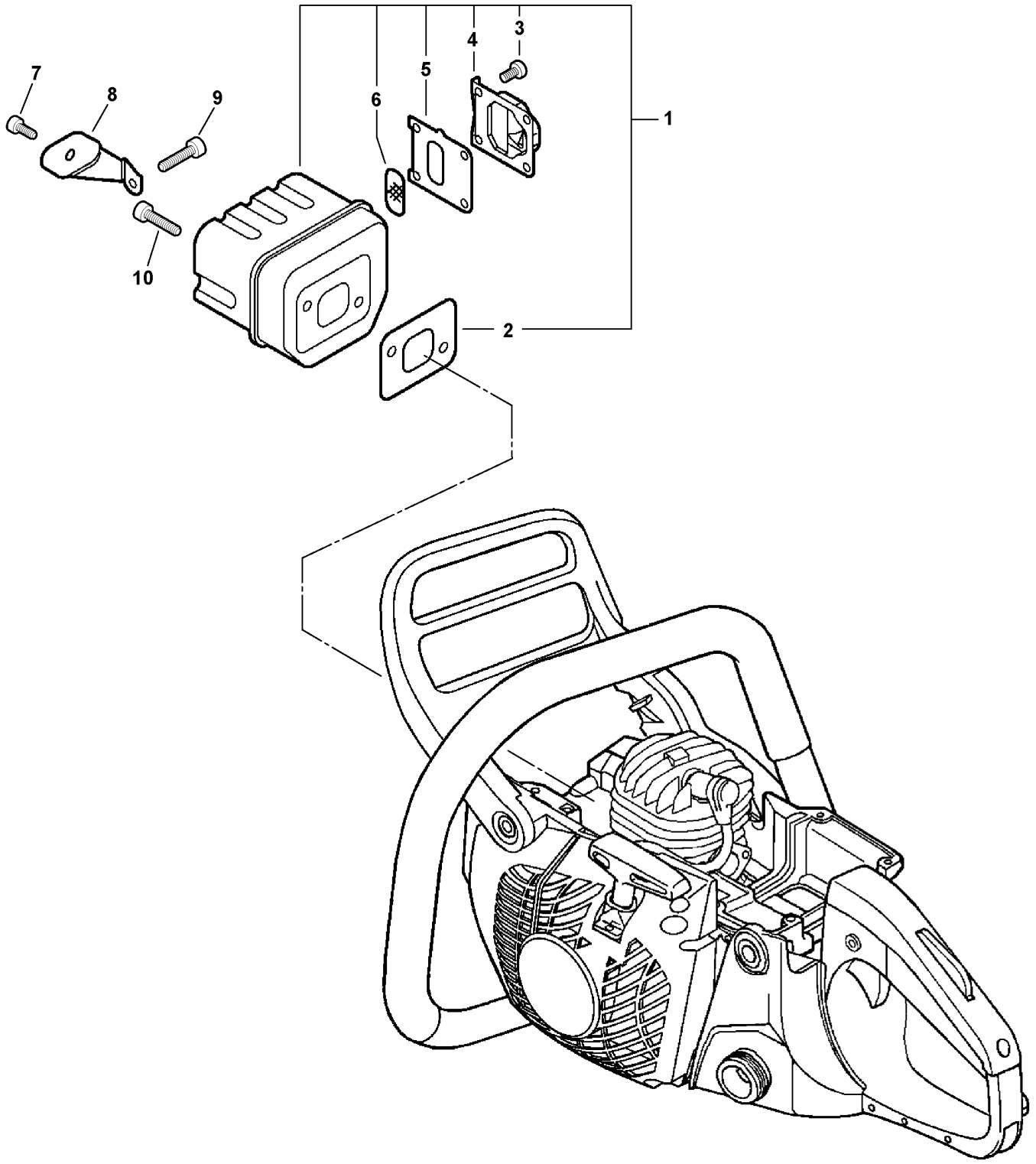
010 0010 000

ITEM	PART NUMBER	QTY	DESCRIPTION	REMARKS
1	P021007153	1	AIR CLEANER COVER KIT	INCLUDES ITEM 2
2	13033832430	1	PLUG, COVER	
3	A235000020	1	KNOB, AIR CLEANER LID	
4	A160000940	1	COVER, ENGINE	
5	90023805025	3	SCREW 5X25	
6	V341000080	1	DEFLECTOR, HEAT	
7	13001639930	1	GASKET, INTAKE	
8	13051039932	1	BELLOWS, INTAKE	
9	90023805012	2	SCREW 5X12	
10	13000038331	1	INTAKE INSULATOR KIT	INCLUDES ITEMS 11-13
11	V420001130	1	CUSHION	
12	13002033330	2	NUT	
13	13001038330	1	GASKET, INTAKE	
14	-----	1	CARBURETOR	
15	13011038330	1	PIPE, IMPULSE	
16	13040538332	1	CAP, AIR FILTER	
17	13031038331	1	FILTER, AIR	
18	A204000004	1	ADAPTER, INTAKE	
19	90016205050	2	SCREW 5X50	
20	13043038330	1	CUSHION	
21	V471001240	1	PIPE, PRIMER - 3X5X140	REPOWER BULK OPTION: 90014
22	V471001240	1	PIPE, RETURN - 3X5X140	REPOWER BULK OPTION: 90014
23	12318139130	1	PUMP, PRIMER	
24	P021012490	1	SWITCH BRACKET KIT	INCLUDES ITEMS 25-27
25	A439000310	1	BRACKET, SWITCH	
26	16341338930	1	TERMINAL, LEAD - GROUND	
27	17881014534	1	GROMMET	
28	C454000150	1	ROD, THROTTLE	
29	A241000101	1	KNOB, CHOKE	
30	16340038330	1	SWITCH, IGNITION	
31	13211544330	1	GROMMET	
32	13201038331	1	PIPE, FUEL	
33	13201326630	1	CLIP	
34	13120519831	1	FILTER, FUEL	
35	13100437932	1	CAP ASY - ORANGE	INCLUDES ITEMS 36-37
36	A365000050	1	CONNECTOR, CAP	
37	90072000022	1	O-RING 22	



WT901A 0000 000

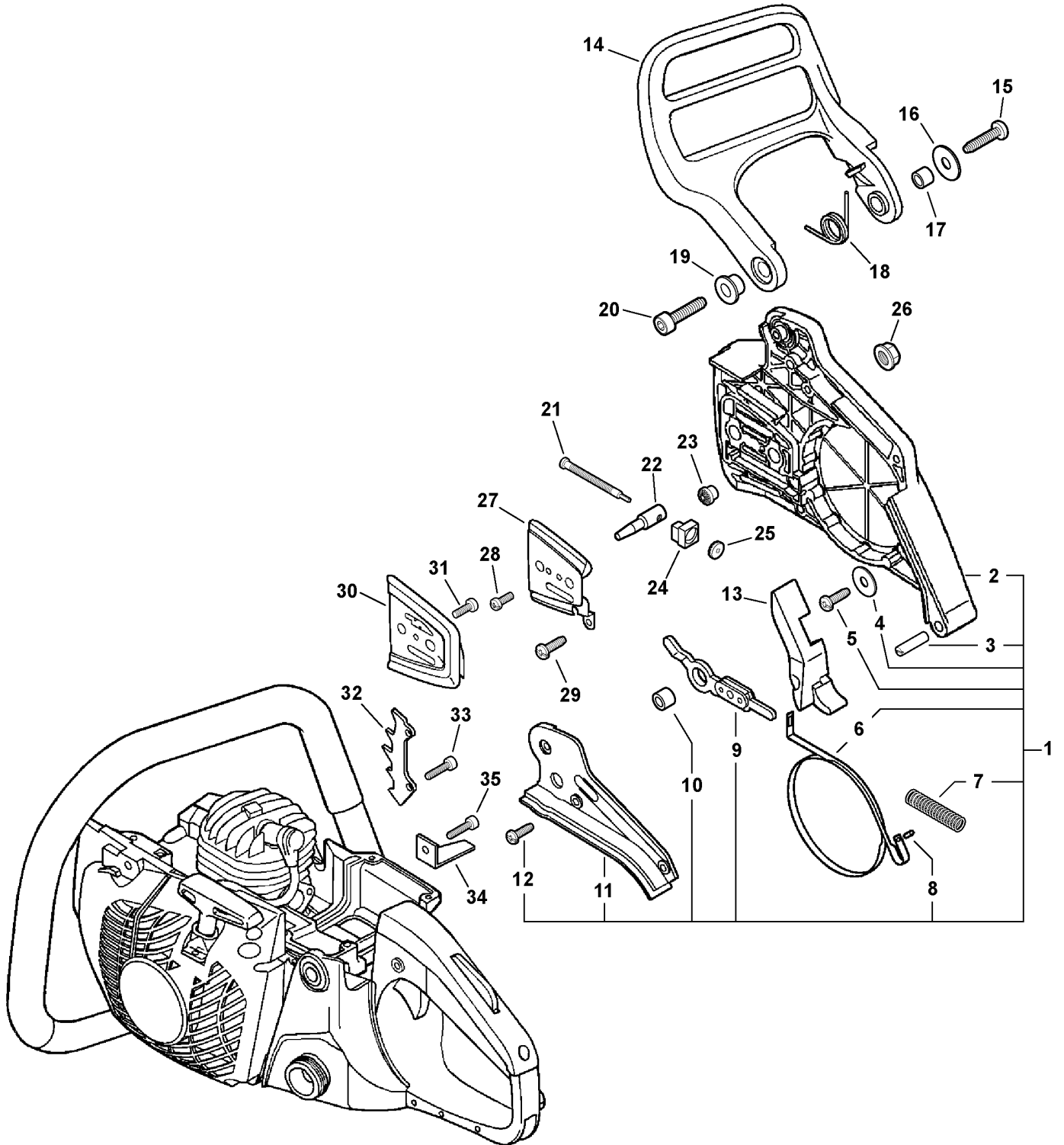
ITEM	PART NUMBER	QTY	DESCRIPTION	REMARKS
	A021001471	1	CARBURETOR -- WT-901A	
<b>1</b>	12313002960	4	SCREW, METERING DIAPHRAGM COVER	
<b>2</b>	12314203930	1	COVER, METERING DIAPHRAGM	
<b>3</b>	-----		BODY, CARBURETOR	NOT AVAILABLE SEPARATELY
<b>4</b>	P003000150	1	SHAFT, CHOKE	
<b>5</b>	12314926030	1	WASHER	
<b>6</b>	P003001510	1	LEVER, FAST IDLE	
<b>7</b>	P003000140	1	SPRING, CHOKE RETURN	
<b>8</b>	12311403930	1	SCREW, THROTTLE LEVER	
<b>9</b>	P003001780	1	LEVER, THROTTLE	
<b>10</b>	12313002960	4	SCREW, CLIP	
<b>11</b>	12312703930	1	CLIP, THROTTLE SHAFT	
<b>12</b>	12311403930	1	SCREW, CHOKE VALVE	
<b>13</b>	P003001790	1	VALVE, CHOKE	
<b>14</b>	12311403930	1	SCREW, THROTTLE VALVE	
<b>15</b>	12311610530	1	VALVE, THROTTLE	
<b>16</b>	12311337530	1	SPRING, THROTTLE RETURN	
<b>17</b>	P003001810	1	SHAFT, THROTTLE	
<b>18</b>	P003000010	2	CAP, MIXTURE LIMITER	
<b>19</b>	12312003661	2	NEEDLE, MIXTURE ADJUSTMENT	
<b>20</b>	12313404260	1	SCREW, IDLE ADJUST	
<b>21</b>	12313304260	1	SPRING, IDLE ADJUST	
<b>22</b>	12317815030	1	PLUG, FRICTION	
<b>23</b>	12312438330	1	COVER, FUEL PUMP	
<b>24</b>	12311003930	1	SCREW, PUMP COVER	
<b>25</b>	12313903930	1	SCREW, METERING LEVER PIN	
<b>26</b>	12312239330	1	SPRING, METERING LEVER	
<b>27</b>	P003002190	1	REPAIR KIT	INCLUDES ITEMS 28-37
<b>28</b>	12312715030	1	CIRCLIP	
<b>29</b>	-----	1	DIAPHRAGM, METERING	
<b>30</b>	-----	1	GASKET, METERING DIAPHRAGM	
<b>31</b>	-----	1	LEVER, METERING	
<b>32</b>	-----	1	PIN, METERING LEVER	
<b>33</b>	-----	1	VALVE, INLET NEEDLE	
<b>34</b>	-----	1	PLUG, WELCH	
<b>35</b>	-----	1	SCREEN, INLET	
<b>36</b>	-----	1	DIAPHRAGM, FUEL PUMP	
<b>37</b>	-----	1	GASKET, FUEL PUMP	



011 0009 000

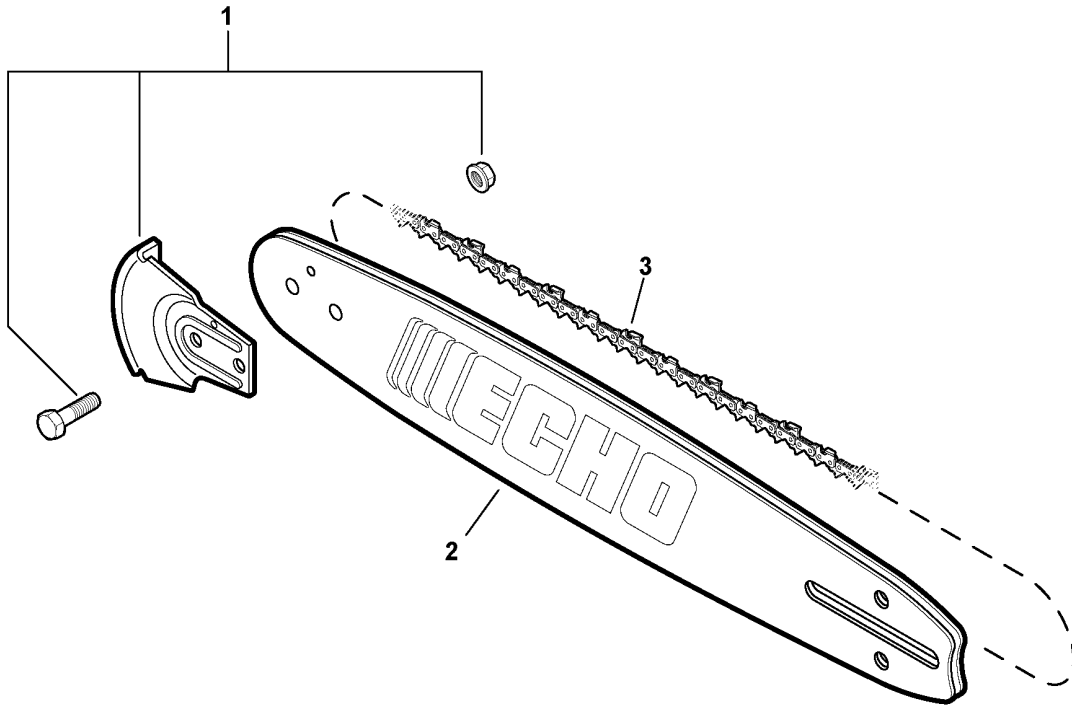


ITEM	PART NUMBER	QTY	DESCRIPTION	REMARKS
1	P021012510	1	MUFFLER ASY	INCLUDES ITEMS 2-6
2	14551035431	1	GASKET, EXHAUST	
3	9136704010	4	SCREW 4X10	
4	A313000890	1	GUIDE, EXHAUST	
5	V104000860	1	GASKET, EXHAUST	
6	A310000080	1	SCREEN	
7	9110006008	1	SCREW	
8	A319000080	1	BRACKET, MUFFLER	
9	90010506014	1	SCREW 6X14	
10	90010505016	2	SCREW 5X16	



013 0011 000

ITEM	PART NUMBER	QTY	DESCRIPTION	REMARKS
1	C032000321	1	CHAIN BRAKE ASY - ORANGE	INCLUDES ITEMS 2-12
2	C300000351	1	GUARD, SPROCKET	
3	90034260025	1	SPRING PIN	
4	35124906960	1	WASHER	
5	90025304016	1	SCREW 4X16 - TAPPING	
6	C328000110	1	BAND, BRAKE	
7	V450000070	1	SPRING	
8	90033030120	1	PIN	
9	C334000090	1	CONNECTOR, BRAKE	
10	43311635430	1	SPACER 8X12X9	
11	C345000241	1	COVER, BRAKE	
12	V202000060	3	SCREW 4X12 - TAPPING	
13	C302000000	1	CUSHION	
14	C320000141	1	LEVER, BRAKE	
15	V202000120	1	SCREW 4	
16	17721403930	1	WASHER	
17	43311635430	1	SPACER 8X12X9	
18	V452000250	1	SPRING	
19	V356000300	1	COLLAR	
20	90010505030	1	SCREW 5X30	
21	V203000110	1	BOLT	
22	C309000030	1	TENSIONER, CHAIN	
23	V651000001	1	GEAR, BEVEL	
24	V355000270	1	COLLAR	
25	V651000011	1	GEAR, BEVEL	
26	43301912330	2	FLANGE NUT	
27	C305000001	1	PLATE, SPROCKET GUARD	
28	90022003006	1	SCREW 3X6	
29	V202000060	1	SCREW 4X12 - TAPPING	
30	43301335432	1	PLATE, GUIDE - INNER	
31	90022004006	1	SCREW 4X6	
32	C304000030	1	BUMPER, SPIKE	
33	90010505012	2	SCREW 5X12	
34	C310000000	1	CATCHER, CHAIN	
35	90016205014	1	SCREW 5X14	

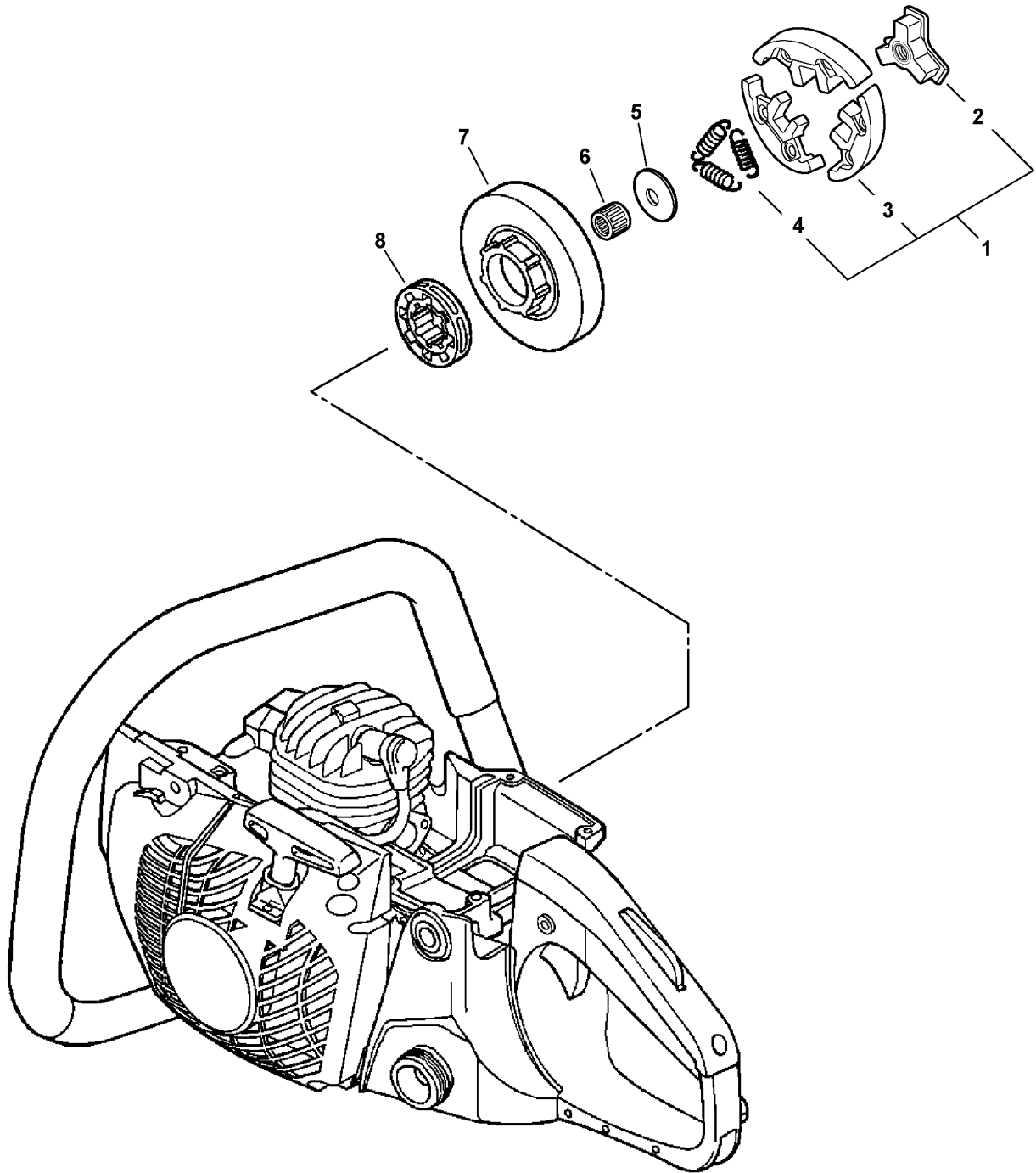


016 0016 000

**CS-450 Chain Saw**

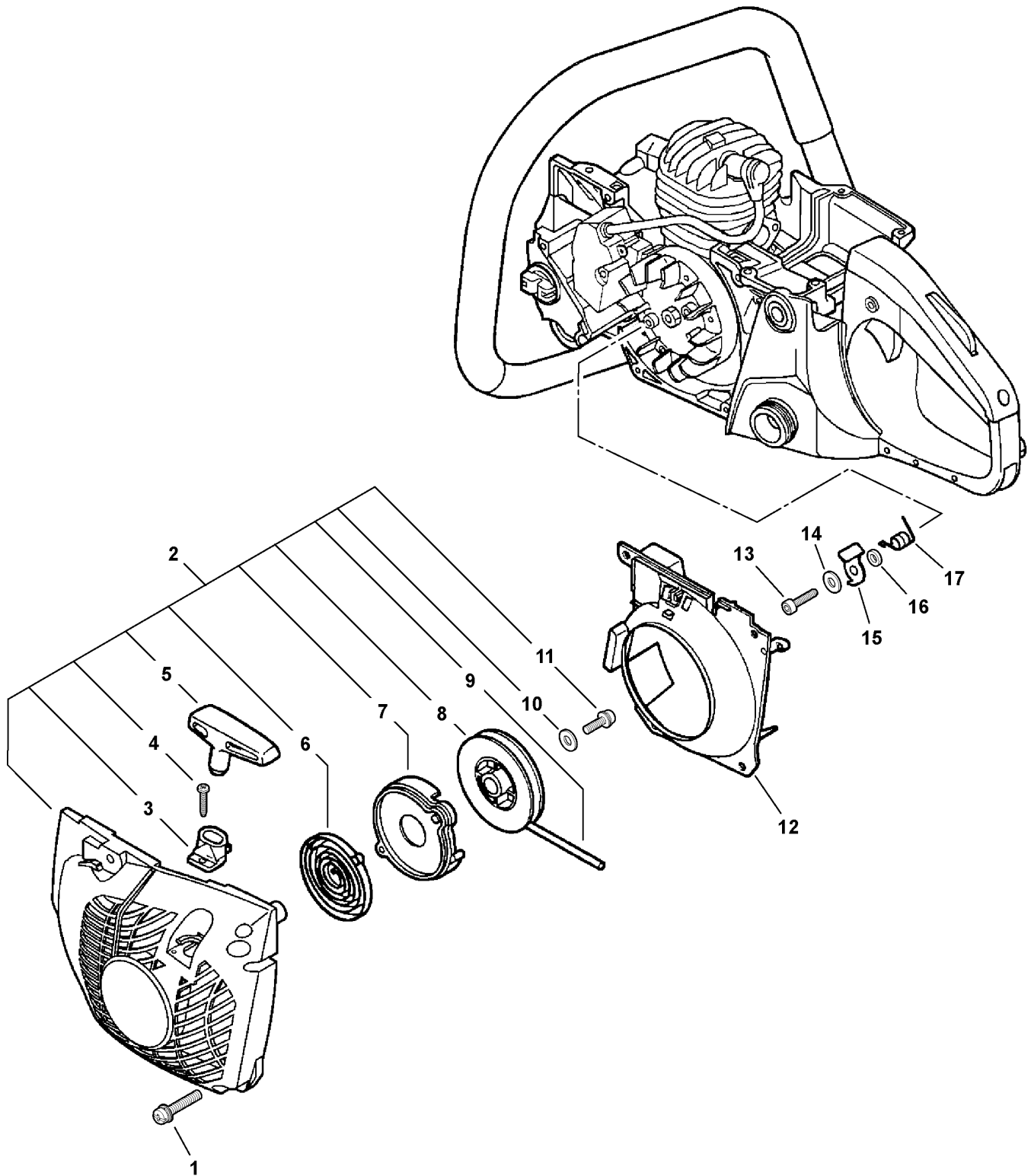
**Standard Guide Bar, Sawing Chain, Kick Guard**

ITEM	PART NUMBER	QTY	DESCRIPTION	REMARKS
1	2893201	1	KICK GUARD KIT	
2	18F0AD3372	1	GUIDE BAR - 18" -- ProAm Double Guard	GAUGE: .050"
3	33SL72CQ	1	SAWING CHAIN - 18" -- Pro Guard	GAUGE: .050" / PITCH: .325"



014 0008 000

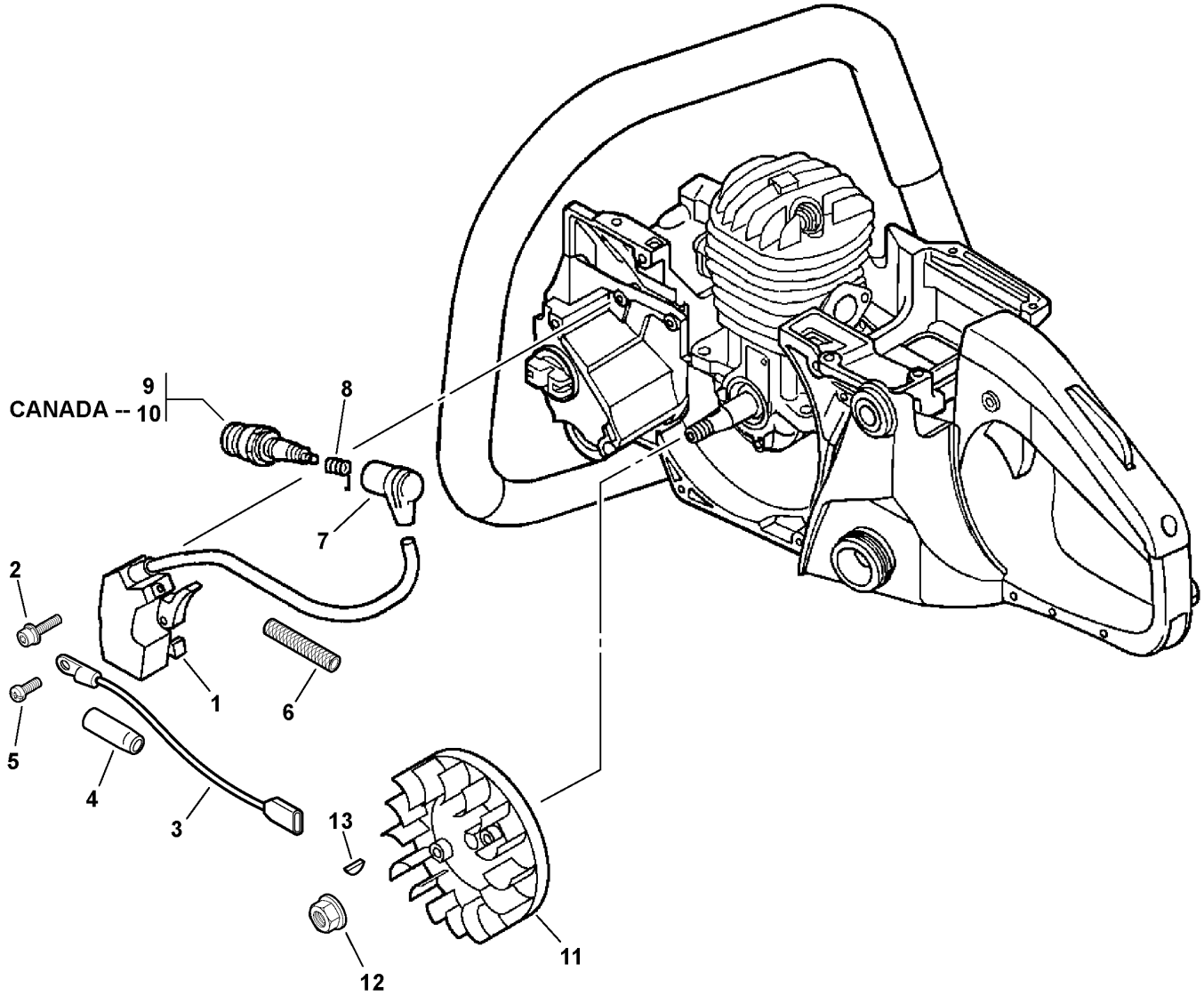
ITEM	PART NUMBER	QTY	DESCRIPTION	REMARKS
1	A056000180	1	CLUTCH ASY	INCLUDES ITEMS 2-4
2	A552000070	1	HUB, CLUTCH	
3	P021007050	1	CLUTCH SHOE SET	
4	V451000500	3	SPRING, CLUTCH	
5	17501939430	1	PLATE, CLUTCH	
6	V555000070	1	BEARING, NEEDLE	
7	A556000440	1	DRUM, CLUTCH	
8	17511412530	1	SPROCKET, RIM	



015 0008 000



ITEM	PART NUMBER	QTY	DESCRIPTION	REMARKS
1	90023805018	4	SCREW 5X18	
2	P021013481	1	STARTER ASY	INCLUDES ITEMS 3-11
3	17722737930	1	GUIDE, ROPE	
4	90029603014	1	SCREW 3X14	
5	17722835430	1	GRIP, STARTER	
6	17722035430	1	SPRING, REWIND	
7	17722135430	1	PLATE, STARTER	
8	A506000100	1	DRUM, STARTER	
9	17722605310	1	ROPE, STARTER - 3.5X960mm	REPOWER BULK OPTION: 99944445000
10	17721402830	1	WASHER	
11	90023805012	1	SCREW 5X12	
12	A172000062	1	COVER, FAN	
13	V203000090	2	SCREW 5X14	
14	90060300005	2	WASHER 5	
15	17721819830	2	PAWL, STARTER	
16	17724704630	2	SPACER	
17	17723435430	2	SPRING, RETURN	

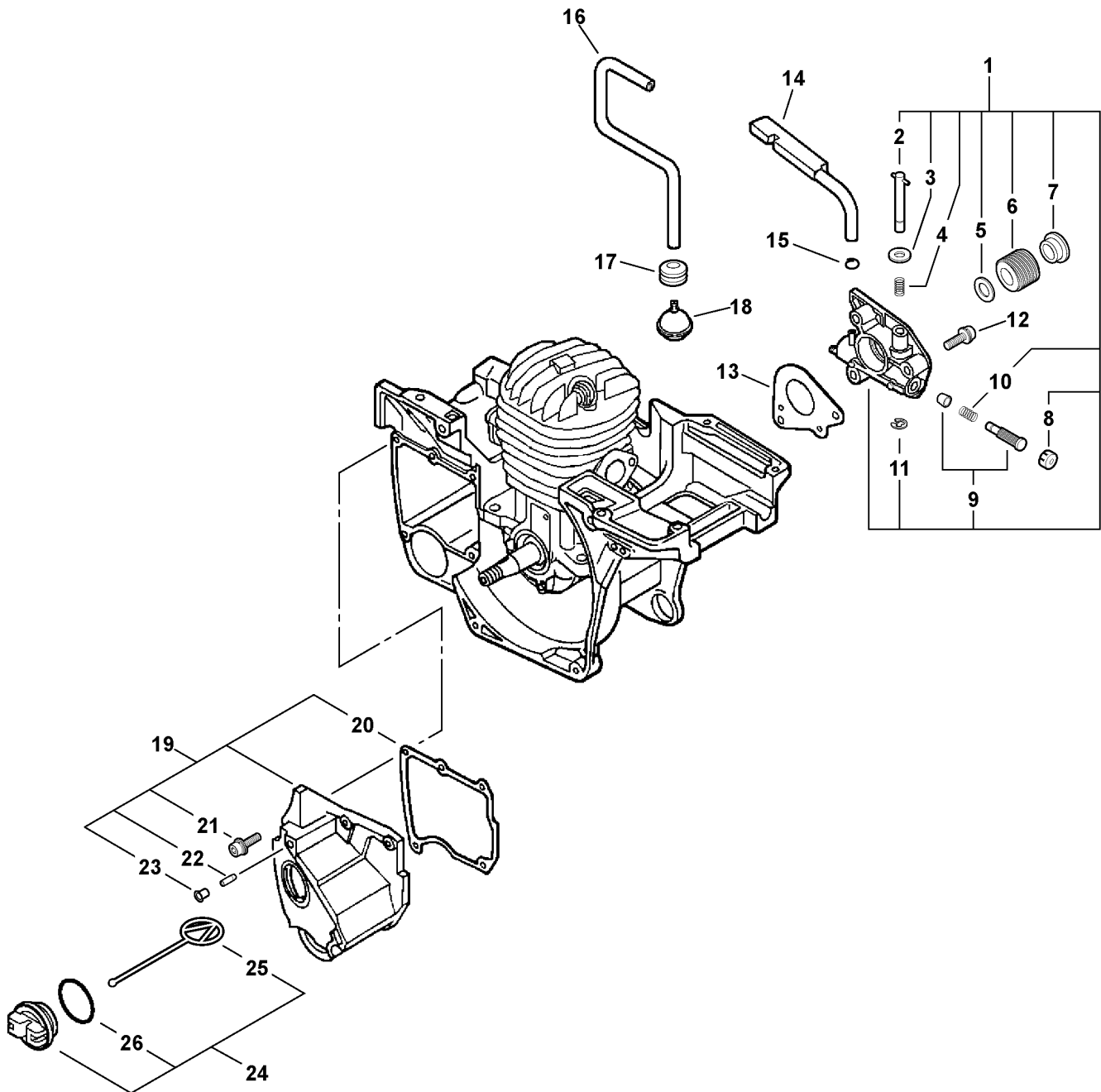


018 0009 000

ITEM	PART NUMBER	QTY	DESCRIPTION	REMARKS
1	A411000430	1	COIL, IGNITION	
2	90016204030	2	SCREW 4X30	
3	16201038332	1	LEAD, GROUND	
4	C483000000	1	BOOT, CONNECTOR	
5	90022004006	1	SCREW 4X6	
6	V475002390	1	TUBE	
7	A427000013	1	CAP, SPARK PLUG	
8	A426000010	1	TERMINAL, SPARK PLUG CAP	
9	15901019830	1	SPARK PLUG -- BPM-8Y	
10	A425000000	1	SPARK PLUG -- BPMR-8Y	CANADA MODELS
11	A409000340	1	FLYWHEEL	
12	90051500008	1	NUT 8	
13	10014239130	1	WOODRUFF KEY	

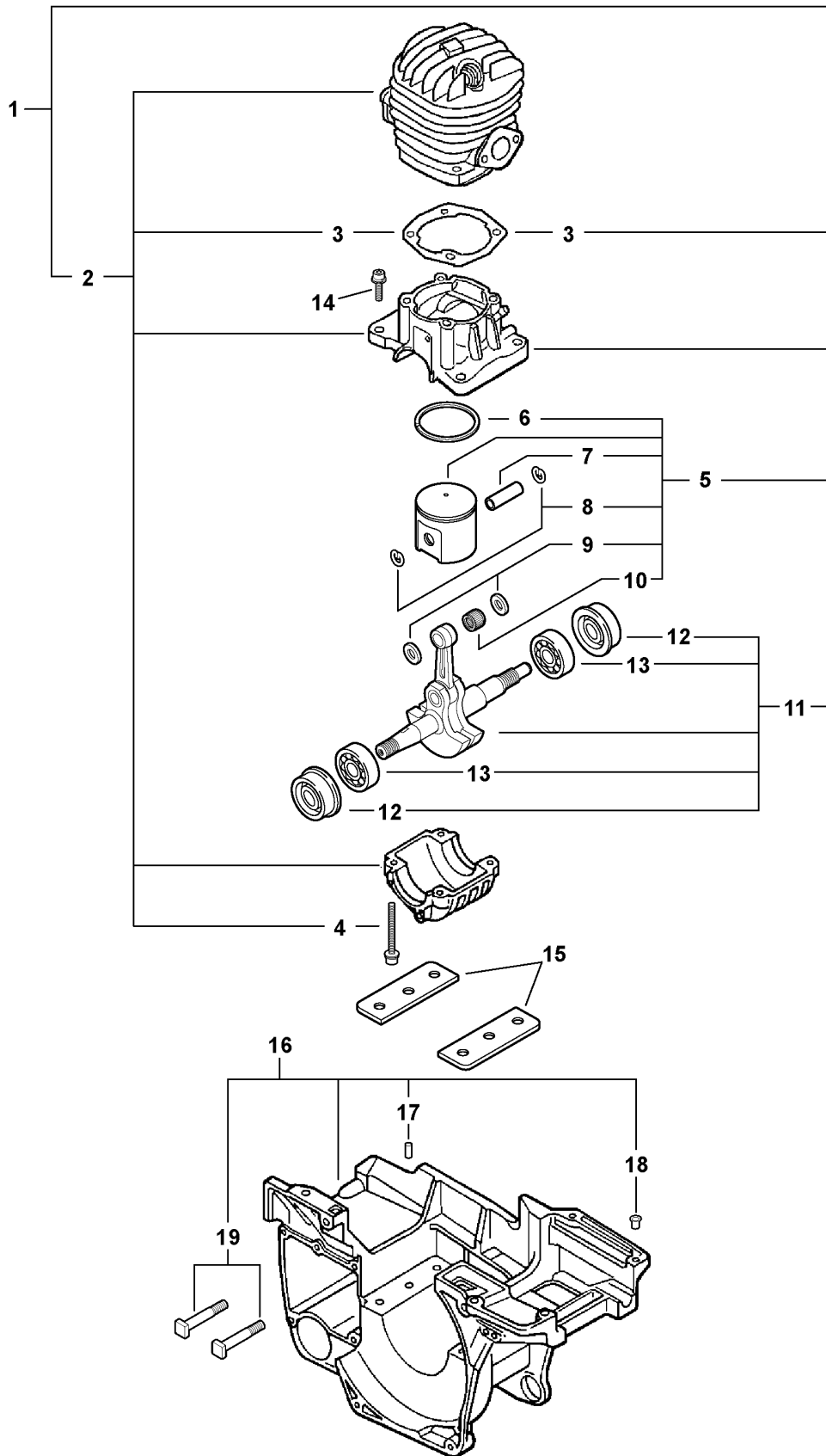


ITEM	PART NUMBER	QTY	DESCRIPTION	REMARKS
1	C400000010	1	HANDLE, FRONT	
2	9114505016	2	SCREW 5X16	
3	9114505020	2	SCREW 5X20	
4	P021012500	1	REAR HANDLE ASY	INCLUDES ITEMS 5-8
5	A356000030	1	VENT ASY	
6	13132840630	1	COVER, VENT	
7	13201326630	1	CLIP	
8	13201239331	1	PIPE, VENT - GROMMET	
9	90023805016	3	SCREW 5X16	
10	C300000321	1	COVER	
11	10091038330	2	CUSHION	
12	10091838330	4	CAP, CUSHION	
13	10091532530	2	SCREW	
14	10092138330	4	CUSHION	
15	10091533930	2	SCREW	
16	C460000072	1	LOCKOUT, THROTTLE	
17	C450000212	1	TRIGGER, THROTTLE	
18	V452000260	1	SPRING, THROTTLE RETURN	
19	90034540030	1	SPRING PIN 4X30	
20	V162000040	1	PLUG	
21	35115535430	1	COVER, HANDLE	
22	90025304014	1	SCREW 4X14	
23	35111119830	1	GRIP, HANDLE	



017 0007 000

ITEM	PART NUMBER	QTY	DESCRIPTION	REMARKS
1	P021011291	1	AUTO-OILER ASY	INCLUDES ITEMS 2-11
2	43701638330	1	NEEDLE, ADJUST	
3	43702937330	1	WASHER	
4	43701537330	1	SPRING	
5	V308000030	1	WASHER	
6	V652000030	1	GEAR, WORM	
7	V356000351	1	COLLAR	
8	43706238330	1	CAP, OIL PUMP	
9	43702437330	1	PLUNGER	
10	43701938330	1	SPRING	
11	12312715030	1	CIRCLIP	
12	90022304016	2	SCREW 4X16	
13	17531038330	1	PLATE, SEAL	
14	43722938331	1	PIPE, OIL OUTLET	
15	13201326630	1	CLIP	
16	43721038330	1	PIPE, OIL	
17	13211512330	1	GROMMET	
18	43620514730	1	FILTER, OIL	
19	P021012550	1	OIL TANK ASY	INCLUDES ITEMS 20-23
20	43601938330	1	GASKET, OIL TANK	
21	90016304016	3	SCREW 4X16	
22	43611413930	1	VALVE, CHECK	
23	43601838330	1	COLLAR	
24	P021007630	1	CAP ASY	INCLUDES ITEMS 25-26
25	A365000050	1	CONNECTOR, CAP	
26	90072100025	1	O-RING	



SB1094 0000 000



ITEM	PART NUMBER	QTY	DESCRIPTION	REMARKS
1	SB1094	1	SHORT BLOCK <sup>1</sup>	INCLUDES ITEM 2-13
2	P021012420	1	CRANKCASE SET	INCLUDES ITEM 3-4
3	V100000131	1	GASKET, CYLINDER	
4	90016205055	4	SCREW 5X55	
5	P021012430	1	PISTON KIT	INCLUDES ITEMS 6-10
6	10001138930	1	RING, PISTON	
7	10001335430	1	PIN, PISTON	
8	10001503931	2	CIRCLIP, PISTON PIN	
9	10001419730	2	SPACER, PISTON PIN	
10	10001235430	1	BEARING, NEEDLE	
11	P021012440	1	CRANKSHAFT ASY	INCLUDES ITEMS 12-13
12	V505000010	2	SEAL, OIL	
13	9403536201	2	BEARING, BALL - 6201	
14	90016205022	4	SCREW 5X22	
15	V150001740	2	EYE PLATE	
16	P021012470	1	ENGINE COVER ASY	INCLUDES ITEMS 17-19
17	V622000020	2	DOWEL PIN	
18	43601838330	2	COLLAR	
19	43301119830	2	STUD, GUIDE BAR	

**Footnotes**

1: OPTIONAL ENGINE REPOWER



**CS-450**  
 Caution: This saw shall be used only by certified tree service professionals. For safe operation follow all safety precautions and instructions in operator's manuals. (Replacement manuals are available from your ECHO dealer.)

**ATTENTION**  
 Lorem ipsum dolor sit amet, consectetur adipiscing elit, sed diam nonummy nibh. Keusmod tincidunt ut laoreet dolore magna aliquam erat volutpat. Ut wisi enim ad minim veniam, quis nostrud exerci tation. ullamcorper suscipit lobortis nisl ut aliquip ex. Duis autem vel eum iriure dolor in hendrerit in vulputate velit esse molestie consequat, vel illum dolore eu feugiat nulla facilisis at vero eros et accumsan et justo odio.

**PURGE PUMP**



**TO AVOID KICKBACK**  
 1. Hold the chain saw firmly with both hands.  
 2. Don't let the nose of the guide bar contact any obstruction.  
 3. Tip contact may suddenly move the guide bar upward and backward, which may cause serious injury.

**POUR EVITER LES REBONDISSEMENTS**  
 1. Eorem ipsum dolor sit amet, consectetur adipiscing elit, sed diam nonummy nibh.  
 2. Teusmod tincidunt ut laoreet dolore magna aliquam erat volutpat. Ut wisi enim ad minim veniam, quis nostrud exerci tation.  
 3. Tullam corpor suscipit lobortis nisl ut aliquip ex. Duis autem vel eum iriure dolor in hendrerit in vulputate velit esse molestie.

**REPLACEMENT BAR AND CHAIN**  
**REPLACEMENT DU GUIDE ET DE LA CHAÎNE**

GUIDE BAR P/N O.	CHAIN TYPE	CKA
16" 16F0MD3386	OREGON 85VP	65 51.3
18" 18F0MD3372	OREGON 85VP	72 43.2
20" 20F0AD3378	OREGON 33SL	78 5.5

CKA means Computed Kickback Angle  
 CKA Signifie angle de rebondissement calcule

Note: There may be other replacement components for achieving kickback protection. For details, please refer to the bar and chain combination sheet shown in the instruction manual.

REMARQUE: Il y peut y avoir d'autres composantes de remplacement qui protègent en cas de rebondissement. Pour plus de détails se référer à la feuille sur les combinaisons de guide et de chaîne du manuel de l'utilisateur.

**CAUTION/ATTENTION**  
 Lorem ipsum dolor sit amet, consectetur adipiscing elit, sed diam nonummy nibh. Keusmod tincidunt ut laoreet dolore magna aliquam erat volutpat. Ut wisi enim ad minim



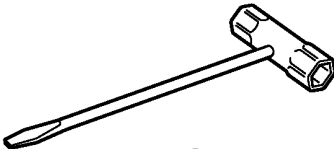
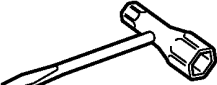
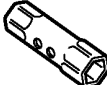








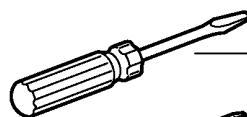
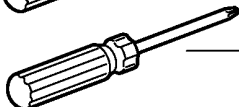
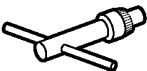
**STOP**

100 0081 CAN

**CS-450 Chain Saw**

**Labels**

ITEM	PART NUMBER	QTY	DESCRIPTION	REMARKS
1	X503008940	1	LABEL - MODEL -- CS-450	
2	89032439630	1	LABEL - ATTENTION	
3	X502000340	1	LABEL - ECHO	
4	89016739230	1	LABEL - PURGE PUMP	
5	X505000450	1	LABEL - KICK BACK	
6	X505000460	1	LABEL - KICK BACK (FRENCH)	
7	89017639431	1	LABEL - NOISE (ENGLISH/FRENCH)	
8	89015737330	1	LABEL - STOP	
9	X502000410	1	LABEL - ECHO	
10	X524002060	1	LABEL - BAR & CHAIN	

	<b>SOCKET WRENCH W/SCREWDRIVER (Also Removes Spark Plugs)</b>
	1 - 89541010630 -- 17X19mm
	2 - X602000020 -- 17X19mm
	3 - 89541039131 -- 10X19mm
	4 - 89541006960 -- 13X19mm
	<b>SOCKET WRENCH</b>
	5 - X602000031 -- 17X14.5mm
	<b>LOCKING ROD</b>
	6 - 89751801131 -- 5X120mm
	<b>OPEN END WRENCH</b>
	7 - 89511200330 -- 8X10mm
	8 - 89512220960 -- 17X19mm
	9 - 89501505260 -- 10mm
	<b>HEX BAR</b>
	10 - 89541220960 -- 10mm
	<b>HEX KEY</b>
	11 - 89561203430 -- 3mm
	12 - 89561000130 -- 4mm
	13 - 89561100330 -- 5mm
	<b>TORX KEY</b>
	14 - X605000060 -- T27
	<b>SCREWDRIVER</b>
	15 - 89581100130 -- 125mm SLOTTED
	16 - 89581203930 -- 50mm PHILLIPS
	<b>CHUCK KEY</b>
	17 - 89757005560

**Consult Your Operators Manual For The Tools Used With Your Model**

200 0002 000

ITEM	PART NUMBER	QTY	DESCRIPTION	REMARKS
1	89541010630	1	SOCKET WRENCH/SCREWDRIVER	17X19mm
2	X602000020	1	SOCKET WRENCH/SCREWDRIVER	17X19mm
3	89541039131	1	SOCKET WRENCH/SCREWDRIVER	10X19mm
4	89541006960	1	SOCKET WRENCH/SCREWDRIVER	13X19mm
5	X602000031	1	SOCKET WRENCH	17X14.5mm
6	89751801131	1	LOCKING ROD	5X120mm
7	89511200330	1	OPEN END WRENCH	8X10mm
8	89512220960	1	OPEN END WRENCH	17X19mm
9	89501505260	1	OPEN END WRENCH	10mm
10	89541220960	1	HEX BAR	10mm
11	89561203430	1	HEX KEY	3mm
12	89561000130	1	HEX KEY	4mm
13	89561100330	1	HEX KEY	5mm
14	X605000060	1	TORX KEY	T27
15	89581100130	1	SCREWDRIVER	125mm SLOT HEAD
16	89581203930	1	SCREWDRIVER	50mm CROSS HEAD
17	89757005560	1	CHUCK KEY	



# Part Number Index

Click The Page Number After Any Part Number To View The Diagram Containing That Part.

Part Number	Page	Part Number	Page	Part Number	Page	Part Number	Page
-----	5, 7	43301335432	11	A313000890	9	V555000070	15
10001138930	25	43301912330	11	A319000080	9	V622000020	25
10001235430	25	43311635430	11	A356000030	21	V651000001	11
10001335430	25	43601838330	23, 25	A365000050	5, 23	V651000011	11
10001419730	25	43601938330	23	A409000340	19	V652000030	23
10001503931	25	43611413930	23	A411000430	19	X502000340	27
10014239130	19	43620514730	23	A425000000	19	X502000410	27
10091038330	21	43701537330	23	A426000010	19	X503008940	27
10091532530	21	43701638330	23	A427000013	19	X505000450	27
10091533930	21	43701938330	23	A439000310	5	X505000460	27
10091838330	21	43702437330	23	A506000100	17	X524002060	27
10092138330	21	43702937330	23	A552000070	15	X602000020	29
12311003930	7	43706238330	23	A556000440	15	X602000031	29
12311337530	7	43721038330	23	C032000321	11	X605000060	29
12311403930	7	43722938331	23	C300000321	21		
12311610530	7	89015737330	27	C300000351	11		
12312003661	7	89016739230	27	C302000000	11		
12312239330	7	89017639431	27	C304000030	11		
12312438330	7	89032439630	27	C305000001	11		
12312703930	7	89501505260	29	C309000030	11		
12312715030	7, 23	89511200330	29	C310000000	11		
12313002960	7	89512220960	29	C320000141	11		
12313304260	7	89541006960	29	C328000110	11		
12313404260	7	89541010630	29	C334000090	11		
12313903930	7	89541039131	29	C345000241	11		
12314203930	7	89541220960	29	C400000010	21		
12314926030	7	89561000130	29	C450000212	21		
12317815030	7	89561100330	29	C454000150	5		
12318139130	5	89561203430	29	C460000072	21		
13000038331	5	89581100130	29	C483000000	19		
13001038330	5	89581203930	29	P003000010	7		
13001639930	5	89751801131	29	P003000140	7		
13002033330	5	89757005560	29	P003000150	7		
13011038330	5	90010505012	11	P003001510	7		
13031038331	5	90010505016	9	P003001780	7		
13033832430	5	90010505030	11	P003001790	7		
13040538332	5	90010506014	9	P003001810	7		
13043038330	5	90016204030	19	P003002190	7		
13051039932	5	90016205014	11	P021007050	15		
13100437932	5	90016205022	25	P021007153	5		
13120519831	5	90016205050	5	P021007630	23		
13132840630	21	90016205055	25	P021011291	23		
13201038331	5	90016304016	23	P021012420	25		
13201239331	21	90022003006	11	P021012430	25		
13201326630	5, 21, 23	90022004006	11, 19	P021012440	25		
13211512330	23	90022304016	23	P021012470	25		
13211544330	5	90023805012	5, 17	P021012490	5		
14551035431	9	90023805016	21	P021012500	21		
15901019830	19	90023805018	17	P021012510	9		
16201038332	19	90023805025	5	P021012550	23		
16340038330	5	90025304014	21	P021013481	17		
16341338930	5	90025304016	11	SB1094	25		
17501939430	15	90029603014	17	V100000131	25		
17511412530	15	90033030120	11	V104000860	9		
17531038330	23	90034260025	11	V150001740	25		
17721402830	17	90034540030	21	V162000040	21		
17721403930	11	90051500008	19	V202000060	11		
17721819830	17	90060300005	17	V202000120	11		
17722035430	17	90072000022	5	V203000090	17		
17722135430	17	90072100025	23	V203000110	11		
17722605310	17	9110006008	9	V308000030	23		
17722737930	17	9114505016	21	V341000080	5		
17722835430	17	9114505020	21	V355000270	11		
17723435430	17	9136704010	9	V356000300	11		
17724704630	17	9403536201	25	V356000351	23		
17881014534	5	A021001471	7	V420001130	5		
18F0AD3372	13	A056000180	15	V450000070	11		
2893201	13	A160000940	5	V451000500	15		
33SL72CQ	13	A172000062	17	V452000250	11		
35111119830	21	A204000004	5	V452000260	21		
35115535430	21	A235000020	5	V471001240	5		
35124906960	11	A241000101	5	V475002390	19		
43301119830	25	A310000080	9	V505000010	25		



# Part Description Index

Click The Page Number After Any Part Description To View The Diagram Containing That Part.

## A

ADAPTER, INTAKE.....5  
 AIR CLEANER COVER KIT.....5  
 AUTO-OILER ASY.....23

## B

BAND, BRAKE.....11  
 BEARING, BALL - 6201.....25  
 BEARING, NEEDLE.....15, 25  
 BELLOWS, INTAKE.....5  
 BODY, CARBURETOR.....7  
 BOLT.....11  
 BOOT, CONNECTOR.....19  
 BRACKET, MUFFLER.....9  
 BRACKET, SWITCH.....5  
 BUMPER, SPIKE.....11

## C

CAP ASY.....23  
 CAP ASY - ORANGE.....5  
 CAP, AIR FILTER.....5  
 CAP, CUSHION.....21  
 CAP, MIXTURE LIMITER.....7  
 CAP, OIL PUMP.....23  
 CAP, SPARK PLUG.....19  
 CARBURETOR.....5  
 CARBURETOR -- WT-901A.....7  
 CATCHER, CHAIN.....11  
 CHAIN BRAKE ASY - ORANGE.....11  
 CHUCK KEY.....29  
 CIRCLIP.....7, 23  
 CIRCLIP, PISTON PIN.....25  
 CLIP.....5, 21, 23  
 CLIP, THROTTLE SHAFT.....7  
 CLUTCH ASY.....15  
 CLUTCH SHOE SET.....15  
 COIL, IGNITION.....19  
 COLLAR.....11, 23, 25  
 CONNECTOR, CAP.....5, 23  
 CONNECTOR, BRAKE.....11  
 COVER.....21  
 COVER, BRAKE.....11  
 COVER, ENGINE.....5  
 COVER, FAN.....17  
 COVER, FUEL PUMP.....7  
 COVER, HANDLE.....21  
 COVER, METERING DIAPHRAGM.....7  
 COVER, VENT.....21  
 CRANKCASE SET.....25  
 CRANKSHAFT ASY.....25  
 CUSHION.....5, 11, 21

## D

DEFLECTOR, HEAT.....5  
 DIAPHRAGM, FUEL PUMP.....7  
 DIAPHRAGM, METERING.....7  
 DOWEL PIN.....25  
 DRUM, CLUTCH.....15  
 DRUM, STARTER.....17

## E

ENGINE COVER ASY.....25  
 EYE PLATE.....25

## F

FILTER, AIR.....5  
 FILTER, FUEL.....5  
 FILTER, OIL.....23  
 FLANGE NUT.....11  
 FLYWHEEL.....19

## G

GASKET, CYLINDER.....25  
 GASKET, EXHAUST.....9  
 GASKET, FUEL PUMP.....7  
 GASKET, INTAKE.....5  
 GASKET, METERING DIAPHRAGM.....7  
 GASKET, OIL TANK.....23  
 GEAR, BEVEL.....11  
 GEAR, WORM.....23  
 GRIP, HANDLE.....21  
 GRIP, STARTER.....17  
 GROMMET.....5, 23  
 GUARD, SPROCKET.....11  
 GUIDE BAR - 18" -- ProAm Double Guard.....13  
 GUIDE, EXHAUST.....9  
 GUIDE, ROPE.....17

## H

HANDLE, FRONT.....21  
 HEX BAR.....29  
 HEX KEY.....29  
 HUB, CLUTCH.....15

## I

INTAKE INSULATOR KIT.....5

## K

KICK GUARD KIT.....13  
 KNOB, AIR CLEANER LID.....5  
 KNOB, CHOKE.....5

## L

LABEL - ATTENTION.....27  
 LABEL - BAR & CHAIN.....27  
 LABEL - ECHO.....27  
 LABEL - KICK BACK.....27  
 LABEL - KICK BACK (FRENCH).....27  
 LABEL - MODEL -- CS-450.....27  
 LABEL - NOISE (ENGLISH/FRENCH).....27  
 LABEL - PURGE PUMP.....27  
 LABEL - STOP.....27  
 LEAD, GROUND.....19  
 LEVER, BRAKE.....11  
 LEVER, FAST IDLE.....7  
 LEVER, METERING.....7  
 LEVER, THROTTLE.....7  
 LOCKING ROD.....29  
 LOCKOUT, THROTTLE.....21

## M

MUFFLER ASY.....9

## N

NEEDLE, ADJUST.....23

NEEDLE, MIXTURE ADJUSTMENT.....7  
 NUT.....5  
 NUT 8.....19

## O

OIL TANK ASY.....23  
 OPEN END WRENCH.....29  
 O-RING.....23  
 O-RING 22.....5

## P

PAWL, STARTER.....17  
 PIN.....11  
 PIN, METERING LEVER.....7  
 PIN, PISTON.....25  
 PIPE, FUEL.....5  
 PIPE, IMPULSE.....5  
 PIPE, OIL.....23  
 PIPE, OIL OUTLET.....23  
 PIPE, PRIMER - 3X5X140.....5  
 PIPE, RETURN - 3X5X140.....5  
 PIPE, VENT - GROMMET.....21  
 PISTON KIT.....25  
 PLATE, CLUTCH.....15  
 PLATE, GUIDE - INNER.....11  
 PLATE, SEAL.....23  
 PLATE, SPROCKET GUARD.....11  
 PLATE, STARTER.....17  
 PLUG.....21  
 PLUG, COVER.....5  
 PLUG, FRICTION.....7  
 PLUG, WELCH.....7  
 PLUNGER.....23  
 PUMP, PRIMER.....5

## R

REAR HANDLE ASY.....21  
 REPAIR KIT.....7  
 RING, PISTON.....25  
 ROD, THROTTLE.....5  
 ROPE, STARTER - 3.5X960mm.....17

## S

SAWING CHAIN - 18" -- Pro Guard.....13  
 SCREEN.....9  
 SCREEN, INLET.....7  
 SCREW.....9, 21  
 SCREW 3X14.....17  
 SCREW 3X6.....11  
 SCREW 4.....11  
 SCREW 4X10.....9  
 SCREW 4X12 - TAPPING.....11  
 SCREW 4X14.....21  
 SCREW 4X16.....23  
 SCREW 4X16 - TAPPING.....11  
 SCREW 4X30.....19  
 SCREW 4X6.....11, 19  
 SCREW 5X12.....5, 11, 17  
 SCREW 5X14.....11, 17  
 SCREW 5X16.....9, 21  
 SCREW 5X18.....17  
 SCREW 5X20.....21  
 SCREW 5X22.....25  
 SCREW 5X25.....5



# Part Description Index (continued)

---

SCREW 5X30.....11  
 SCREW 5X50.....5  
 SCREW 5X55.....25  
 SCREW 6X14.....9  
 SCREW, CHOKE VALVE.....7  
 SCREW, CLIP.....7  
 SCREW, IDLE ADJUST.....7  
 SCREW, METERING DIAPHRAGM COVER.....7  
 SCREW, METERING LEVER PIN.....7  
 SCREW, PUMP COVER.....7  
 SCREW, THROTTLE LEVER.....7  
 SCREW, THROTTLE VALVE.....7  
 SCREWDRIVER.....29  
 SEAL, OIL.....25  
 SHAFT, CHOKE.....7  
 SHAFT, THROTTLE.....7  
 SHORT BLOCK.....25  
 SOCKET WRENCH.....29  
 SOCKET WRENCH/SCREWDRIVER.....29  
 SPACER.....17  
 SPACER 8X12X9.....11  
 SPACER, PISTON PIN.....25  
 SPARK PLUG -- BPM-8Y.....19  
 SPARK PLUG -- BPMR-8Y.....19  
 SPRING.....11, 23  
 SPRING PIN.....11  
 SPRING PIN 4X30.....21  
 SPRING, CHOKE RETURN.....7  
 SPRING, CLUTCH.....15  
 SPRING, IDLE ADJUST.....7  
 SPRING, METERING LEVER.....7  
 SPRING, RETURN.....17  
 SPRING, REWIND.....17  
 SPRING, THROTTLE RETURN.....7, 21  
 SPROCKET, RIM.....15  
 STARTER ASY.....17  
 STUD, GUIDE BAR.....25  
 SWITCH BRACKET KIT.....5  
 SWITCH, IGNITION.....5

## T

TENSIONER, CHAIN.....11  
 TERMINAL, LEAD - GROUND.....5  
 TERMINAL, SPARK PLUG CAP.....19  
 TORX KEY.....29  
 TRIGGER, THROTTLE.....21  
 TUBE.....19

## V

VALVE, CHECK.....23  
 VALVE, CHOKE.....7  
 VALVE, INLET NEEDLE.....7  
 VALVE, THROTTLE.....7  
 VENT ASY.....21

## W

WASHER.....7, 11, 17, 23  
 WASHER 5.....17  
 WOODRUFF KEY.....19



## **NOTES**



**ECHO, INCORPORATED**

400 Oakwood Road  
Lake Zurich, IL 60047 USA

[WWW.ECHO-USA.COM](http://WWW.ECHO-USA.COM)

---