



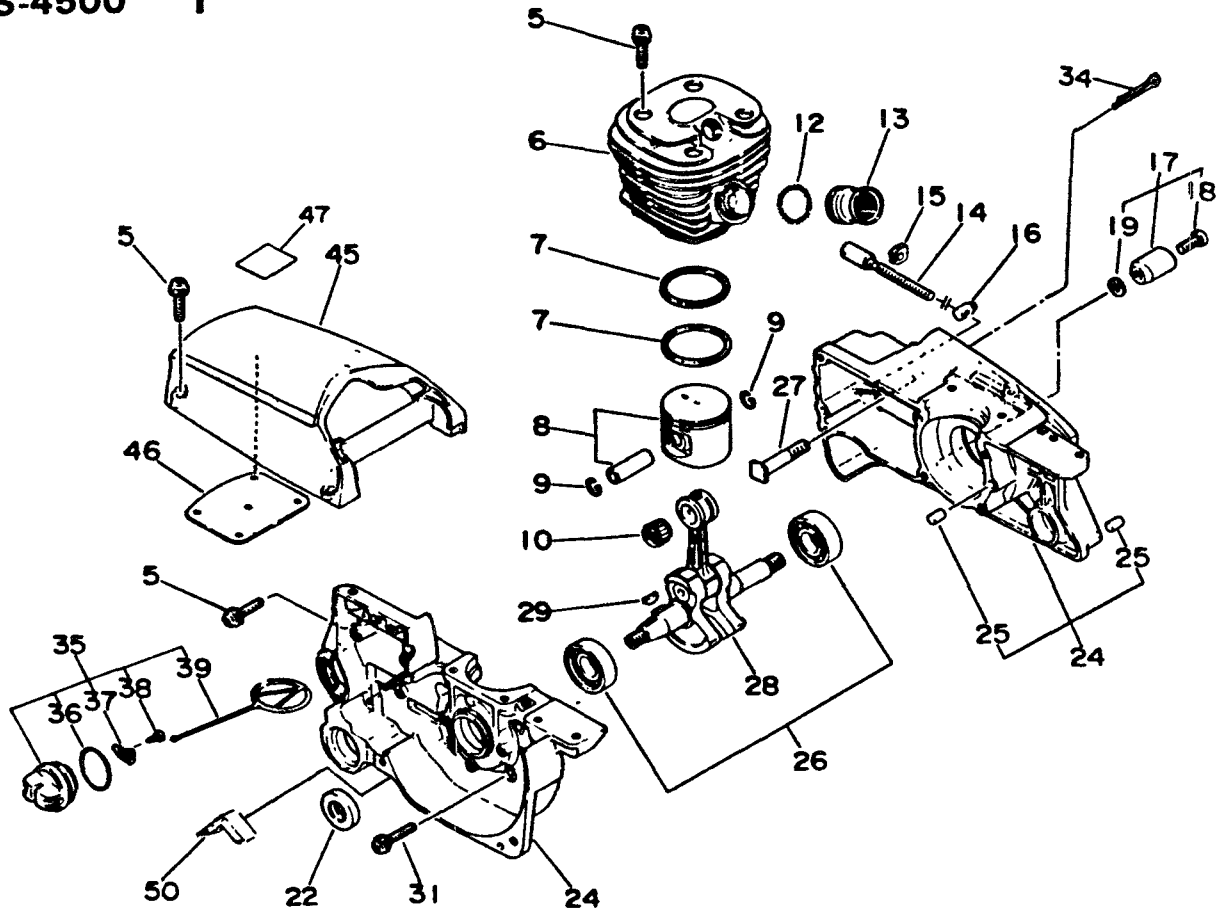
# PARTS CATALOGUE

**ECHO  
CHAIN SAW**

**CS-4500  
CS-4500P**



CS-4500 1



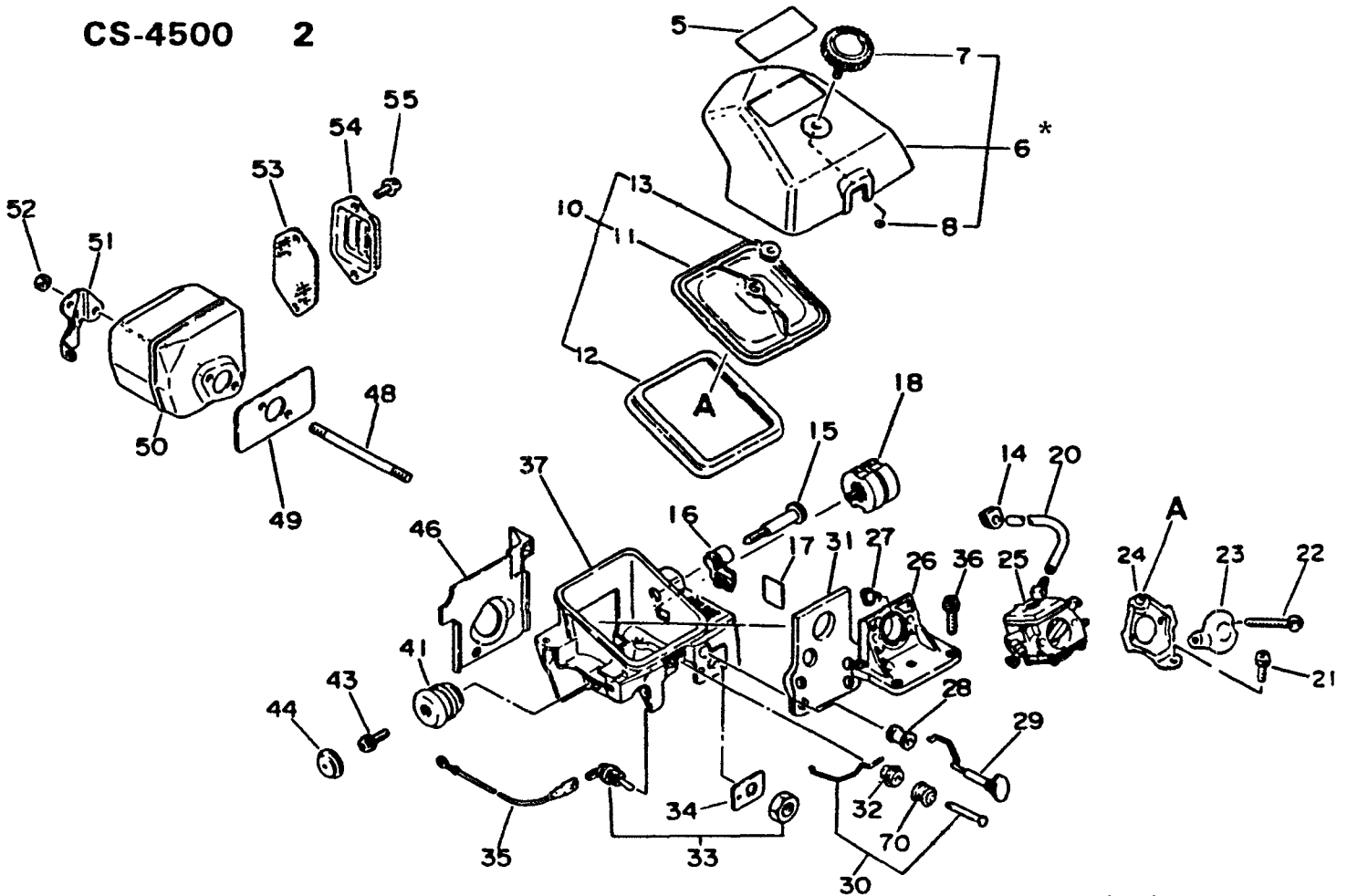
Optional Cylinder Base Gasket 101010-19830  
 Optional Crankcase Gasket 100242-30230

Key No.	Part Number	Q'ty	Description	Key No.	Part Number	Q'ty	Description
1- 5	900 281-0502 0	9	Screw 5x20	28	100 100-1983 0	1	Crankshaft ass'y
6	101 005-1993 1	1	Cylinder	10	-100 020-1983 0	*	Bearing, needle (white)
7	100 011-1993 0	2	Ring, piston	10	-100 021-1983 0	*	Bearing, needle (blue)
8	100 003-1993 0	1s	Piston + piston pin	10	-100 022-1983 0	*	Bearing, needle (red)
9	100 015-0012 0	2	Circlip, piston pin	(A) 29	100 142-1233 0	1	Key, Woodruff
12	130 516-1983 0	1	Band	31	900 281-0503 0	4	Screw 5x30
13	130 510-1983 2	1	Adapter, intake	35	436 001-1983 1	1	Cap ass'y, oil
14	433 016-1103 1	1	Screw, adjustment	36	-436 012-1983 0	1	Seal
15	433 028-1103 0	1	Clip	37	-131 050-1983 0	1	Holder
16	433 014-0393 2	1	Tensioner	38	-900 258-0300 8	1	Screw 3x8
17	433 000-1983 1	1	Catcher kit, chain	39	-131 051-1983 0	1	Connector
18	-900 281-0502 0	1	Screw 5x20	45	101 514-3013 0	1	Cover, cylinder
19	-900 600-0000 5	1	Washer 5	46	101 520-1983 0	1	Plate
24	100 301-1983 1	1s	Crankcase set	47	890 191-3013 0	1	Label
22	-100 212-1983 0	1	Oilseal				
25	-100 215-0283 0	3	Pin, dowel				
26	-100 121-1983 0	1s	Bearing set, ball				
27	-433 011-1983 0	2	Stud				
34	-900 301-2001 6	1	Pin, slit 2x16				
50	-100 253-1983 0	1	Cushion				

\* ; Crnkshaft ass'y 100 100-1983 0 contains one of color matched bearings.  
 When replacing needle bearing, only match color code to connecting rod (piston end)

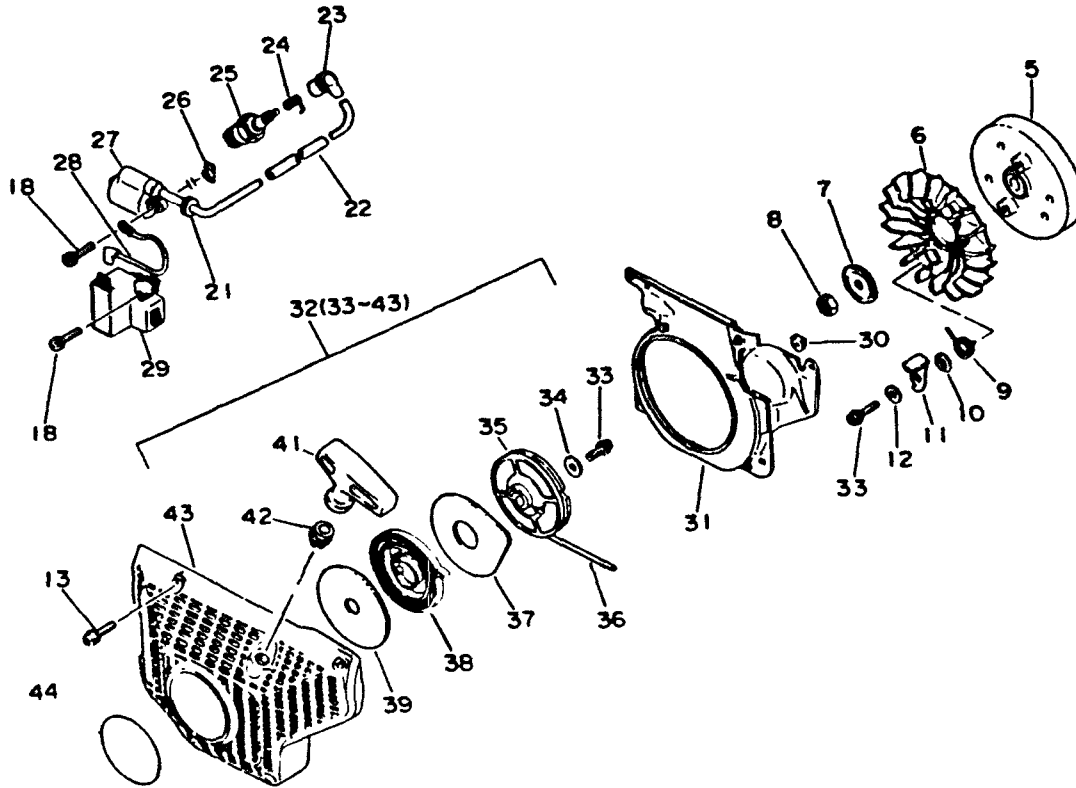
(A) From S/N 0017885 and up, 100 142-3083 0

CS-4500 2



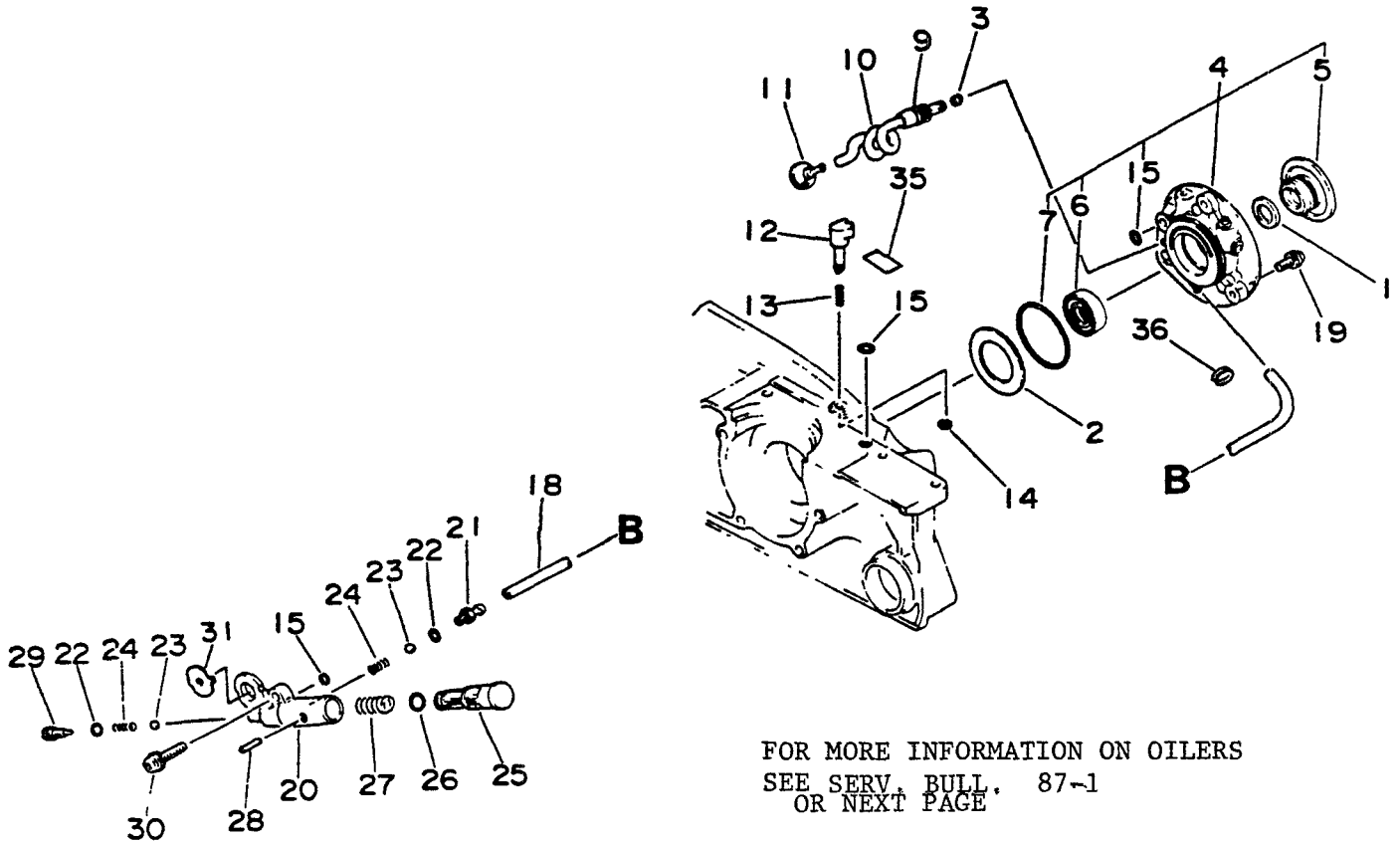
FOR INFORMATION ON OPTIONAL "WINTER/SNOW KIT" SEE PB 87-1 and SB 87-4

Key No.	Part Number	Q'ty	Description	Key No.	Part Number	Q'ty	Description
2=	5 890 161-3023 0	1	Label	32	178 114-1983 0	1	Connector, throttle
*	6 130 302-3013 0	1	Cover	33	163 400-3083 0	1	Switch, ignition
	7 -130 406-1983 1	1	Knob, cleaner cover	34	890 157-1983 0	1	Label
	8 -900 720-0000 3	1	O-ring 3	35	162 022-3013 1	1	Lead, ground
	10 130 303-1983 0	1	Cleaner ass'y, air	36	900 281-0502 5	4	Screw 5x25
	11 -130 310-1983 0	1	Filter, air	37	130 306-1983 1	1	Case, carburetor
	12 -130 320-1983 0	1	Gasket	41	100 910-1983 0	1	Cushion
	13 -130 356-1983 0	1	Seal	43	900 281-0501 0	1	Screw 5x10
	14 150 110-0393 0	1	Grommet	44	100 918-1983 0	1	Plug
	15 129 013-1983 0	1	Screw, idle speed	46	130 338-1983 0	1	Insulator
	16 129 010-1983 0	1	Grommet	48	101 014-1983 0	2	Stud
	17 890 169-3013 0	1	Label	49	145 510-1983 0	1	Gasket, muffler
	18 100 905-1983 0	1	Cushion	50	145 610-3013 0	1	Muffler
	20 130 110-1983 0	1	Pipe	51	145 711-1983 0	1	Bracket
	21 900 281-0501 4	1	Screw 5x14	52	433 020-0083 0	2	Locknut 5
	22 900 281-0505 5	2	Screw 5x55	53	145 862-3013 0	1	Screen
	23 129 011-1983 1	1	Plate	54	145 861-1983 0	1	Lid, muffler
	24 130 405-1983 1	1	Plate	55	900 242-0400 8	2	Screw 4x8
	25 123 000-1983 3	1	Carburetor	70	178 078-1983 0	1	Spring
	26 130 007-1983 0	1	Insulator				
	27 -130 020-1983 0	2	Nut				
	28 178 810-1123 1	1	Grommet				
	29 178 510-1983 0	1	Rod, choke				
	30 178 307-1983 1	1	Rod, throttle				
	31 130 012-1983 0	1	Seal				



Key No.	Part Number	Q'ty	Description	Key No.	Part Number	Q'ty	Description
3- 5	156 800-3013 1	1	Flywheel	31	101 535-1983 0	1	Cover, fan
6	101 521-1983 0	1	Fan	* 32	177 200-1983 0	1	Starter assembly
7	100 143-1983 0	1	Washer	33	-900 281-0501 4	1	Screw 5x14
8	900 500-0000 8	1	Nut 8	* 34	-177 214-0283 0	1	Washer
9	177 234-1983 0	2	Spring, pawl	* 35	-177 215-1453 1	1	Reel, starter
10	177 247-1983 0	2	Spacer	* 36	-177 226-1983 0	1	Rope, starter
* 11	177 218-1453 0	2	Pawl, starter	37	-177 242-0393 0	1	Plate
12	900 603-0000 5	2	Washer 5	38	-177 220-0393 0	1	Spring, rewind
13	900 281-0502 0	4	Screw 5x20	39	-177 221-0393 0	1	Plate
18	900 281-0402 0	4	Screw 4x20	41	-177 228-1983 0	1	Grip, starter
21	150 112-0031 0	2	Grommet	42	-177 227-0502 0	1	Guide, rope
22	156 611-1983 0	1	Tube	43	-101 507-1983 0	1	Cover, fan
23	159 012-0343 3	1	Cap, spark plug	33	900 281-0501 4	2	Screw 5x14
24	159 011-0343 2	1	Coil, spark plug cap	44	890 112-1783 1	1	Label
25	159 017-1643 1	1	Plug, spark				
26	156 618-3013 0	1	Nut				
27	156 626-3013 0	1	Coil, ignition				
28	156 630-3013 0	1	Lead				
29	156 601-3013 1	1	Module, CDI				
30	156 114-0492 0	1	Bushing				

\*SEE PARTS BULL. 87-9



FOR MORE INFORMATION ON OILERS  
SEE SERV. BULL. 87-1  
OR NEXT PAGE

Key No.	Part Number	Q'ty	Description	Key No.	Part Number	Q'ty	Description
4- 1	100 127-1983 0	1	Washer	21	-437 118-1983 0	1	Nipple
2	100 625-1983 0	1	Plate	22	-437 122-0343 0	2	O-ring
3	437 411-1983 0	1	Clip	23	-437 012-0033 0	2	Ball, valve
4	437 000-3013 0	1	Auto-oiler ass'y	24	-437 013-0033 0	2	Spring
(A) 5	-437 063-3013 0	1	Wheel, worm	(B) 25	-437 112-1983 1	1	Piston, oil pump
6	-100 212-1983 0	1	Oilseal	26	-900 720-0000 7	1	O-ring 7
7	-437 025-1983 0	1	O-ring	27	-437 111-1983 0	1	Spring
15	-900 720-0000 3	1	O-ring 3	28	-900 345-2001 6	1	Pin, spring 2x16
9	132 115-1233 0	1	Grammet	29	-437 121-1013 0	1	Plug
10	132 010-1983 0	1	Pipe	30	900 281-0502 0	1	Screw 5x20
11	436 205-1473 0	1	Strainer, oil	31	437 413-1983 0	1	Bracket
12	437 039-1983 1	1	Dial, auto-oiler	35	890 155-3013 0	1	Label
13	437 015-1983 0	1	Spring	36	437 411-1983 0	1	Clip
14	900 700-0000 3	1	E-ring 3				
15	900 720-0000 3	1	O-ring 3				
18	437 211-1983 0	1	Pipe				
19	900 281-0401 0	3	Screw 4x10				
*	437 100-1983 1	1	Pump ass'y, oil				
15	-900 720-0000 3	1	O-ring 3				
(B) 20	-437 110-1983 1	1	Body, oil pump				

(A) For units prior to S/N 0021493, use 437 063-1983 0

(B) For units prior to S/N 0017093, use 437 100-1983 1

THE FOLLOWING INFORMATION IS A SUMMARY OF SB 87-1. REFER TO THIS BULLETIN FOR FURTHER DETAILS AND PARTS BREAKDOWN.

WHEN SERVICING UNITS WITH STEEL WORM GEAR:

IF REPLACING PLUNGER OR WORM GEAR, ORDER PLUNGER AND WORM KIT 437 003-3233 0

WHEN SERVICING UNITS WITH PLASTIC WORM GEAR:

WORM GEAR 437 063-3013 0

PLUNGER 437 006-3233 0

PLUNGER and WORM KIT 437 003-3233 0

AUTOMATIC OILER ASSEMBLY

IF REPLACING AUTO-OILER ASSEMBLY ON:

UNIT WITH NEW STYLE ASSEMBLY (SEE SB 87-1 pg. 2 of 5)

REPLACE WITH ASS'Y 437 000-3233 0

UNIT WITH OLD STYLE ASSEMBLY (SEE SB 87-1 pg. 2 of 5)

REPLACE WITH ASS'Y 437 000-3233 0

AND ALSO ORDER

SEAL 100 212-3243 0

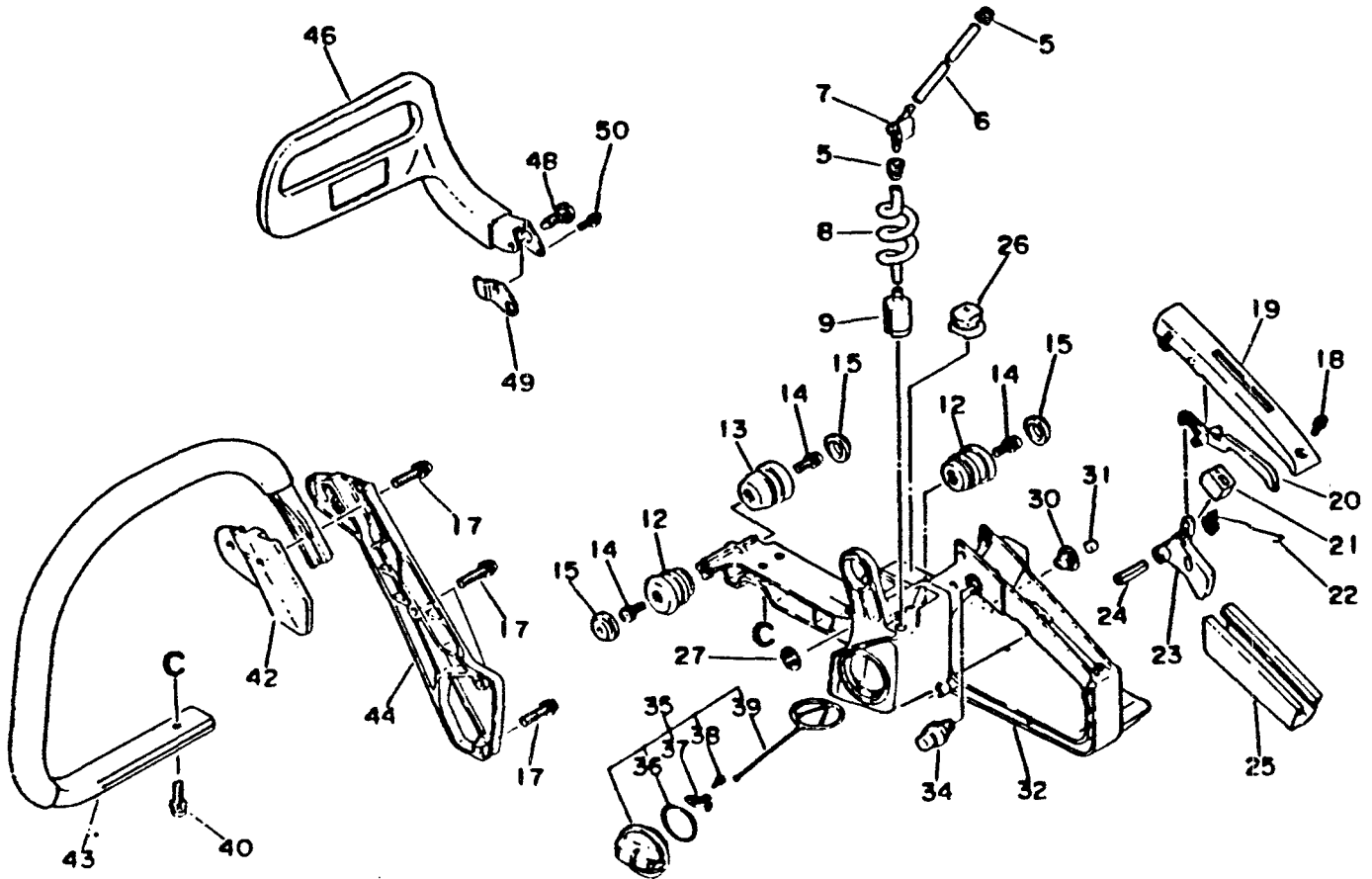
SCREWS (3) 900 281-0401 4

PUMP COVER 437 605-3243 0

OIL LINE 437 211-3243 0

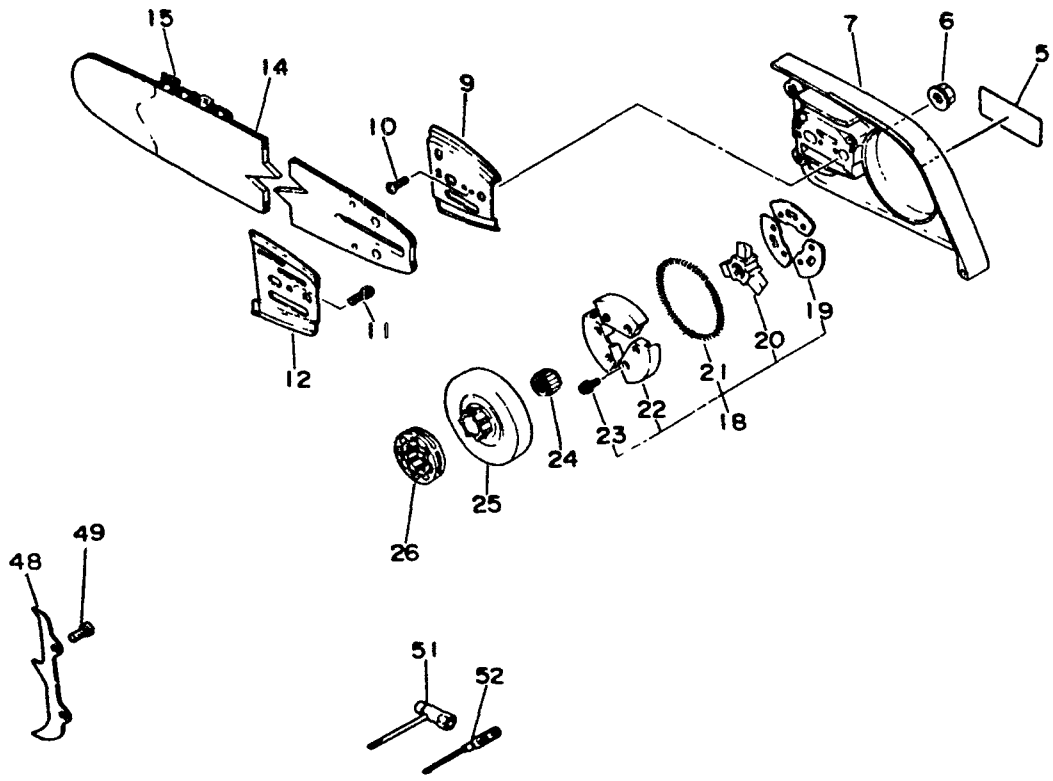
PIPE CONNECTOR 437 212-3243 0

OIL LINE 437 210-1993 0



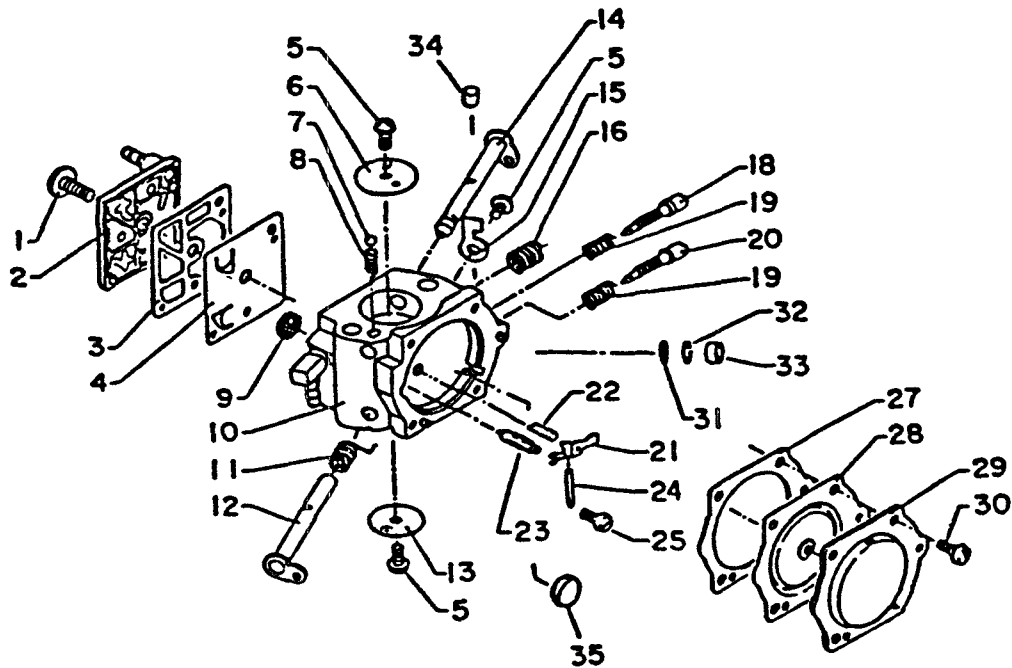
Key No.	Part Number	Q'ty	Description	Key No.	Part Number	Q'ty	Description
5- 5	132 115-0146 0	2	Grommet	* 32	351 103-1983 0	1	Handle, rear
6	132 012-1983 0	1	Pipe	26	-100 251-1983 0	1	Cushion
7	132 011-1983 0	1	Gasket, fuel tank	27	-100 252-1983 0	1	Cushion
8	132 010-1983 0	1	Pipe			1	
9	131 205-1983 0	1	Strainer, fuel	34	178 302-1233 0	1	Latch, throttle
12	100 910-1983 0	2	Cushion	35	131 004-1983 0	1	Cap ass'y, fuel
13	100 917-1983 0	1	Cushion	36	-900 720-0002 9	1	O-ring 29
14	900 281-0501 0	3	Screw 5x10	37	-131 050-1983 0	1	Holder
15	100 918-1983 0	3	Plug	38	-900 258-0300 8	1	Screw 3x8
17	900 281-0502 0	4	Screw 5x20	39	-131 051-1983 0	1	Connector
18	900 281-0401 4	1	Screw 4x14	40	900 281-0501 4	2	Screw 5x14
19	351 155-3013 0	1	Grip, rear handle	42	351 614-1983 0	1	Supporter, front handle
20	178 090-3013 0	1	Lockout, throttle	43	351 606-1983 0	1	Handle, front
21	178 073-1983 1	1	Cushion control	44	351 613-1983 0	1	Supporter, front handle
22	178 043-1983 0	1	Spring	46	351 805-1983 0	1	Guard, front hand
23	178 010-1983 0	1	Control, throttle	48	351 344-1983 0	1	Bolt
24	900 340-5002 5	1	Pin, spring 5x25	49	351 343-1983 0	1	Spacer
25	351 111-1983 0	1	Grip, rear handle	50	900 281-0401 0	1	Screw 4x10
30	131 314-0632 0	1	Valve, check				
31	131 315-0502 0	1	Filter, check valve				

\* SEE PARTS BULL. 87-5, SERV. BULL. 87-5



Key No.	Part Number	Q'ty	Description	Key No.	Part Number	Q'ty	Description
6- 5	890 118-1833 1	1	Label	51	895 410-0283 0	1	Wrench w/screwdriver
6	433 019-1233 0	2	Nut	52	895 812-0393 0	1	Screwdriver
7	433 005-1983 0	1	Guard, sprocket				
9	433 012-1453 3	1	Plate, outer				
10	900 241-0300 6	1	Screw 3x6				
11	900 281-0401 0	1	Screw 4x10				
12	433 013-1983 1	1	Plate, inner				
14	-		Bar, guide				
15	-		Chain, saw				
18	175 000-1983 0	1	Clutch assembly				
19	-175 019-1983 0	3	Plate				
20	-175 016-1983 0	1	Hub, clutch				
21	-175 018-1983 0	1	Spring, clutch				
22	-175 002-1983 0	1s	Shoe set, clutch				
23	-900 281-0400 8	6	Screw 4x8				
24	175 012-1983 0	1	Bearing, needle				
25	175 105-1983 1	1	Drum, clutch				
26	175 114-1253 0	1	Sprocket, rim				
48	880 210-3013 1	1	Bumper, spiked				
49	880 211-3013 0	2	Bolt				

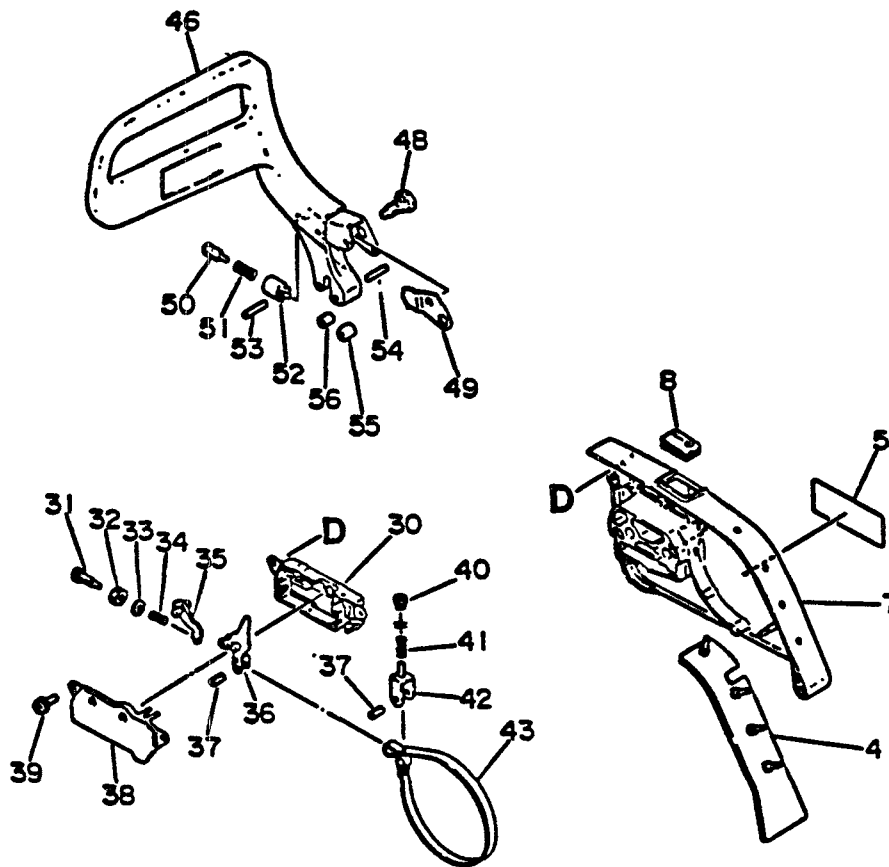




Key No.	Part Number	Q'ty	Description	Key No.	Part Number	Q'ty	Description
7-	123 000-1983 3	1	Carburetor	22	- (A)	1	Spring, metering lever
1	-123 110-0393 0	1	Screw	23	- (A)	1	Valve, inlet needle
2	-123 124-1983 0	1	Cover, pump	24	- (A)	1	Pin, metering lever
3	- (A) (B)	1	Gasket, pump	25	- (A)	1	Screw
4	- (A) (B)	1	Diaphragm, pump	27	- (A) (B)	1	Gasket, metering diaphragm
5	-123 114-0393 0	3	Screw	28	- (A) (B)	1	Diaphragm, metering
6	-123 132-1733 0	1	Valve, choke control	29	-123 142-1733 0	1	Cover, metering diaphragm
7	-123 136-1063 0	1	Ball	30	- (A)	4	Screw
8	-123 135-1063 0	1	Spring	31	- (A)	1	Screen
9	- (A)	1	Screen, inlet	32	- (A)	1	Ring, retaining
11	-123 113-1613 0	1	Spring, throttle return	33	- (A)	1	Plug, Welch
12	-123 117-1983 0	1	Shaft, throttle	34	-123 178-1503 0	1	Plug, flection
13	-123 116-1053 0	1	Valve, throttle	35	- (A)	1	Plug, Welch
14	-123 131-1983 0	1	Rod, choke control				
15	-123 156-1233 0	1	Stop, throttle				
16	-123 133-1113 0	1	Spring, idle screw				
18	-123 118-1833 1	1	Needle, idle mixture				
19	- (A)	2	Spring, idle needle				
20	-123 120-1843 1	1	Needle, high speed				
21	- (A)	1	Lever, metering				

(A) Use Carburetor repair kit ; 123 100-3013 0  
 (B) Use Carburetor diaphragm/gasket kit ; 123 101-1733 0

CHAIN BRAKE ASSEMBLY



Key No.	Part Number	Q'ty	Description
*	433200-30130	1	Brake ass'y, chain
5	-890118-18331	1	Label, ECHO
7	-433002-19930	1	Guard, sprocket
4	--433025-19930	1	Protector
8	-433312-19930	1	Cover, seal
**	-433202-19931	1	Cassette, chain brake
30	--433306-19930	1	Cover, brake
31	--433133-19930	1	Bolt
32	--900502-00005	1	Nut 5
33	--433162-19930	1	Washer
34	--433122-19930	1	Spring
35	--433209-19930	1	Stopper
36	--433208-19930	1	Lever, brake
37	--900340-40010	2	Pin, spring 4x10
38	--433310-19931	1	Cover
39	--900281-04010	2	Screw 4x10
40	--433169-19931	1	Nut
41	--433161-19930	1	Spring
42	--433142-19931	1	Adjuster, band
43	--433123-19930	1	Band, brake
46	-433201-19930	1	Lever assy, brake
50	--433164-19930	1	Bolt, stopper
51	--433165-19930	1	Spring
52	--433166-19930	1	Connector
53	--900330-20200	1	Needle 2x20
54	--900330-30180	2	Needle 3x18
55	--433167-19930	1	Spacer
56	--433168-19930	1	Spacer
48	-351344-19830	1	Bolt
49	-433163-19930	1	Stopper