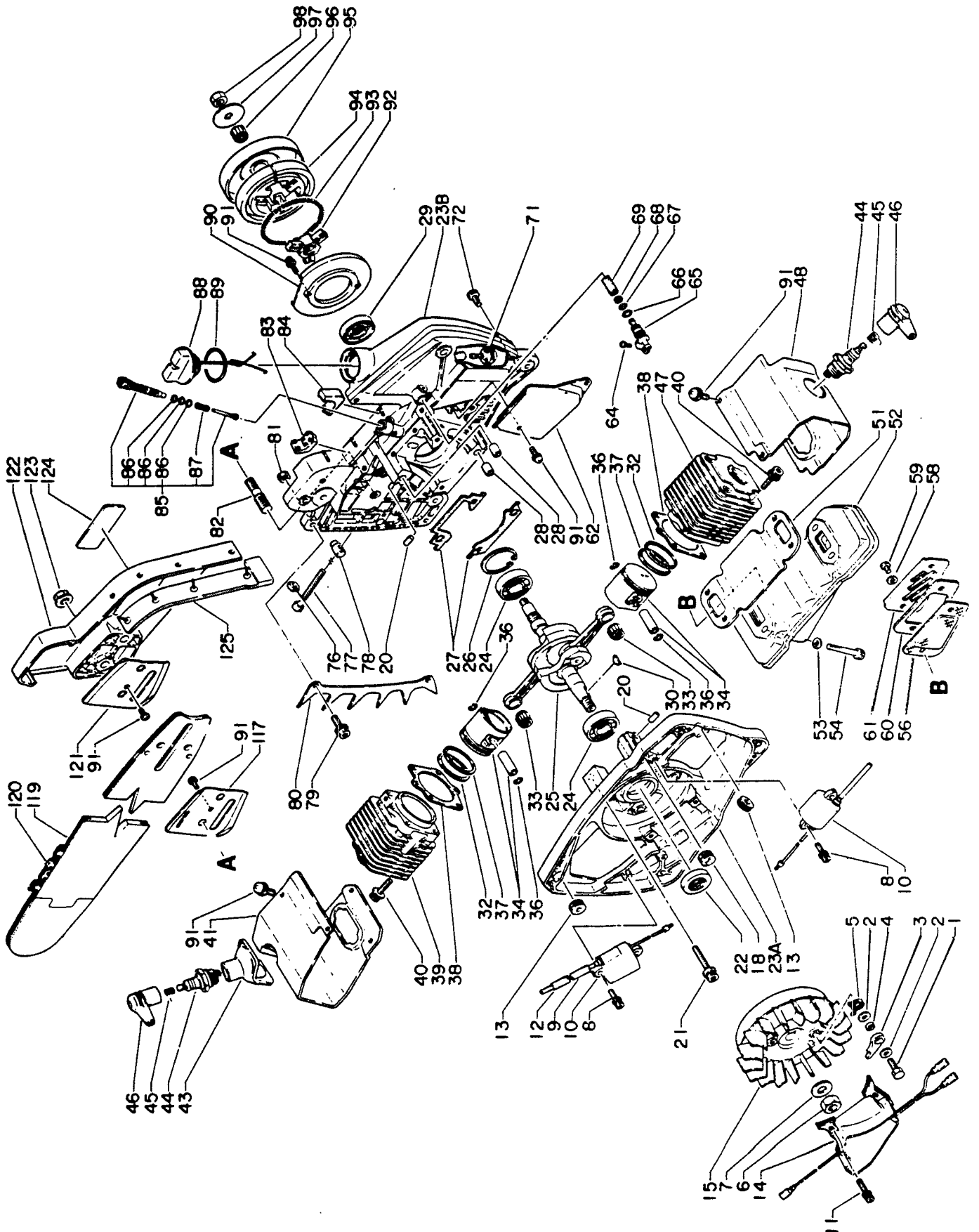




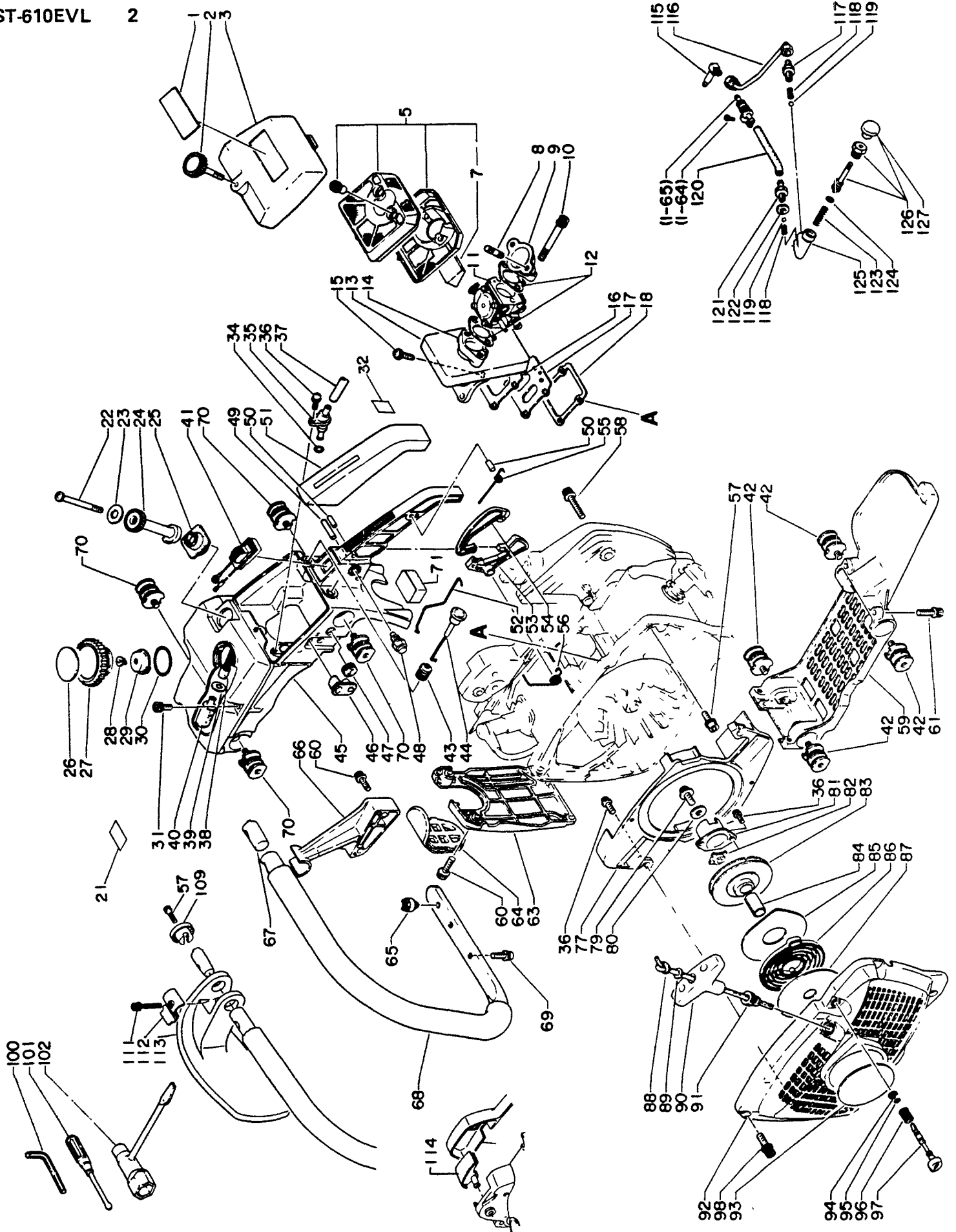
**PARTS CATALOGUE**

**ECHO  
TWIN CYLINDER  
CHAIN SAW  
CST-610EVL  
CST-610EVL P**





Key No.	Part No.	Q'ty	Description	Key No.	Part No.	Q'ty	Description
1-	900 100-0501 6	2	Bolt 5 x 16	1-	900 720-0000 6	1	O-ring 6
2	900 603-0000 5	4	Washer 5	68	130 111-0053 0	1	Clip
3	177 218-0283 0	2	Ratchet	69	437 210-1113 1	1	Oil pipe
4	177 217-0343 0	2	Spacer	71	436 205-1473 0	1	Oil strainer
5	177 234-0283 1	2	Spring, ratchet	72	900 105-0501 0	2	H.S.H. bolt 5 x 10
6	100 144-0283 0	1	Nut	76	433 028-1103 0	1	Clip
7	100 143-1613 0	1	Lock washer	77	433 016-1103 1	1	Adjusting screw
8	900 162-0401 4	4	H.S.H. bolt 4 x 14	78	433 014-0283 0	1	Tensioner
9	150 623-1613 0	1	Tube	79	900 162-0501 4	2	H.S.H. bolt 5 x 14
10	150 626-1613 0	2	Ignition coil	80	880 210-1433 0	1	Spike
11	900 162-0401 8	2	H.S.H. bolt 4x18	81	900 500-0000 5	2	Nut 5
12	150 611-1613 0	1	Tube	82	433 011-1233 0	2	Stud
13	150 112-0031 0	2	Grommet	<b>85</b>	<b>437 000-0343 0</b>	<b>1</b>	<b>Auto, oiler ass'y</b>
14	150 601-1613 1	1	C.D. Ignition module	86	-437 020-0283 0	3	O-ring
15	150 800-1613 1	1	Roter	87	-437 019-0283 0	1	Coil spring
18	150 614-0291 0	1	Grommet	<b>88</b>	<b>436 001-1613 0</b>	<b>1</b>	<b>Cap ass'y, oil tank</b>
21	900 162-0503 5	4	H.S.H. bolt 5 x 35	89	-900 720-0002 5	1	O-ring 25
22	100 212-1613 0	1	Oil seal	90	175 310-1613 0	1	Seal plate
<b>23</b>	<b>100 200-1603 2</b>	<b>1</b>	<b>Crankcase set</b>	91	900 242-0401 0	15	Screw 4 x 10
20	-100 215-0393 0	4	Knock	*	<b>175 000-1233 0</b>	<b>1</b>	<b>Clutch ass'y</b>
28	-100 215-0573 0	2	Knock	92	-175 016-0343 0	1	Boss, clutch
83-	-100 251-1613 0	1	Side cushion (F)	93	-175 018-0283 0	1	Spring, clutch
84	-100 252-1613 0	1	Side cushion (R)	94	-175 017-0283 0	3	Shoe, clutch
24	900 810-3620 2	2	Ball bearing 6202	95	175 005-1103 0	1	Clutch case 3/8
<b>25</b>	<b>100 100-1613 0</b>	<b>1</b>	<b>Crank shaft ass'y</b>	96	100 012-1233 0	1	Needle bearing
26	900 702-0003 5	1	Circuit 35	97	175 015-0343 0	1	Washer
27	100 242-1613 1	1	Gasket, crankcase	98	100 129-0343 0	1	Lock nut (L)
29	100 213-0283 0	1	Oil seal	117	433 013-1613 0	1	Side plate
30	100 142-1233 0	1	Woodruff key	119	430 212-1613 0	1	Guide bar 50RS50-3/8E
32	100 016-1613 0	2	Piston ring	120	431 012-1193 0	1	Chain 72DP-72E
33	100 012-1613 1	2	Needle bearing	121	433 012-1613 0	1	Side plate
34	100 003-1613 1	2	Piston, pin set	122	433 010-1613 0	1	Cover, guide bar
36	100 015-0393 0	4	Circlip	123	433 019-1233 0	2	Flange nut
37	100 011-1613 1	2	Piston ring	124	890 118-1833 1	1	Decal, ECHO
38	101 010-1613 0	2	Gasket, cylinder	125	433 031-1613 0	1	Isolater
39	101 711-1613 2	1	Cylinder, front	<b>Remarks:</b> <b>23</b> Includes 20 and 28, 83 and 84. <b>85</b> Includes 86 and 87. <b>88</b> Includes 89. * Consists of 92 thru 94.			
40	900 162-0502 0	8	H.S.H. bolt 5 x 20				
41	101 514-1613 0	1	Cover, cylinder (F)				
43	159 015-1613 0	1	Cap, cylinder cover				
44	159 010-1063 0	2	Spark plug BPM7A				
45	159 011-0343 2	2	Coil spring				
46	159 012-0343 3	2	Cap, spark plug				
47	101 743-1613 2	1	Cylinder, rear				
48	101 576-1613 0	1	Cover, cylinder (R)				
51	145 510-1613 0	1	Gasket, muffler				
52	145 605-1613 1	1	Muffler				
53	130 031-1023 0	4	Washer				
54	900 105-0503 8	4	H.S.H. bolt 5 x 38				
56	145 862-1613 1	1	Screen				
58	900 610-0000 5	2	Lock washer 5				
59	145 643-0373 0	2	Screw 5 x 8				
60	145 866-1613 1	1	Gasket				
61	145 861-1613 1	1	Lid, muffler				
62	101 534-1613 0	1	Plate				
64	900 241-0300 8	1	Screw 3 x 8				
65	437 306-1603 1	1	Connector				
66	900 720-0000 7	1	O-ring 7				



Key No.	Part No.	Q'ty	Description	Key No.	Part No.	Q'ty	Description
2- 1	890 151-1603 1	1	Decal	2- 61	900 162-0502 0	3	H.S.H. bolt 5x20
3	130 302-1613 1	1	Cover ass'y, air cleaner	63	351 144-1613 1	1	Bracket
2	-130 415-1613 0	1	Thumb bolt	64	351 145-1613 0	1	Cover, bracket
5	130 300-1613 2	1	Air filter ass'y	66	351 614-1613 1	1	Supporter
7	-129 030-1613 1	1	Foam pad	68	351 606-1613 2	1	Front handle
8	130 712-1613 0	2	Stud	65	-100 253-1613 2	1	Cushion
9	130 711-1613 1	1	Elbow, carb	67	-351 617-1613 0	1	Insert
10	900 162-0505 5	2	H.S.H. bolt 5 x 55	69	900 106-0501 4	2	H.S. bolt 5x14
11	123 000-1613 2	1	Carburetor HDA	70	100 907-1603 0	4	Cushion
12	130 521-1613 0	2	Gasket	71	130 331-1613 0	2	Foam pad
13	130 320-1613 0	1	Foam gasket	76	900 242-0400 8	2	Screw 4x8
14	130 505-1613 2	1	Adapter	77	177 262-1613 1	1	Side plate
15	900 244-0501 8	4	Screw 5 x 18	**	177 200-1613 1	1	Recoil starter ass'y
16	130 614-1613 0	1	Gasket	36	-900 242-0401 0	2	Screw 4 x 10
17	130 600-1613 1	1	Reed valve ass'y	79	-900 242-0501 0	1	Screw 5 x 10
18	130 610-1613 0	1	Gasket	80	-177 214-0283 0	1	Washer
21	890 176-1303 1	1	Decal, noise	81	-177 243-0283 3	1	Pawl catcher
22	900 220-0507 5	1	Screw 5 x 75	82	-177 246-0283 2	1	Clip
23	890 022-0343 0	1	Decal, oil adjust	83	-177 215-0283 4	1	Recoil drum
24	437 039-1613 1	1	Dial	84	-177 216-0283 2	1	Bush
25	437 614-1613 0	1	Grommet, dial	85	-177 242-1233 0	1	Side plate
*	131 600-1023 1	1	Cap ass'y, fuel tank	86	-177 220-0283 4	1	Rewind spring
26	-890 154-1273 0	1	Decal	87	-177 221-0283 0	1	Side plate
27	-131 017-1023 1	1	Cap	88	-177 226-0283 0	1	Starter rope
28	-131 314-0033 0	1	Check valve	89	-177 229-1433 0	1	Spacer
29	-131 015-0083 0	1	Holder, valve	90	-177 228-1233 0	1	Handle, starter
30	900 720-0002 9	1	O-ring 29	91	-177 227-0502 0	1	Rope guide
31	900 105-0501 0	2	H.S.H. bolt 5 x 10	92	-177 209-1613 1	1	Case, starter
32	890 121-1233 1	1	Decal, choke	93	890 112-1833 1	1	Decal, ECHO
34	900 720-0000 7	1	O-ring 7	94	900 700-0000 4	1	Circlip 4
35	132 011-1613 0	1	Connector	95	437 056-0283 0	1	O-ring
36	900 242-0401 0	2	Screw 4 x 10	96	129 020-1613 0	1	Coil spring
37	132 012-1613 0	1	Fuel pipe (O)	97	129 013-1613 0	1	Adjuster, idle
38	132 010-1613 2	1	Fuel pip (I)	98	900 167-0502 0	4	H.S.H. bolt 5x20
39	900 603-0000 5	1	Washer 5	100	895 610-0013 0	1	L-wrench 4
40	131 200-0283 0	1	Fuel strainer	101	895 812-0393 0	1	Screw driver
41	163 400-1613 0	1	Switch	102	895 410-0283 0	1	Wrench w/s, driver
42	100 905-1613 0	4	Cushion	109	351 833-1603 0	1	Retainer
43	178 211-0033 0	1	Grommet	111	900 162-0504 0	1	H.S.H. bolt 5x40
44	178 510-1613 0	1	Choke rod	112	351 840-1603 0	1	Stopper
45	351 905-1613 1	1	Rear handle	113	351 826-1603 0	1	Hand guard, front
46	129 010-1233 0	1	Grommet	114	100 612-1603 0	1	Cover
47	150 614-0291 0	1	Grommet	115	437 240-1603 0	1	Connector
48	178 302-1233 0	1	Throttle latch	116	437 206-1603 0	1	Oil pipe
49	900 340-5002 5	1	Spring pin 5 x 25	120	437 228-1603 0	1	Oil pipe
50	900 340-4001 3	2	Spring pin 4 x 13	***	437 100-1603 0	1	Pump ass'y
51	351 111-1613 0	1	Grip	117	-437 052-0033 0	1	Connector
52	178 011-1613 1	1	Throttle rod	118	-437 013-0033 0	2	Valve spring
53	178 010-1233 2	1	Throttle	119	-437 012-0033 0	2	Ball valve
54	178 090-1233 0	1	Throttle control lockout	121	-437 017-0033 0	1	Connector
55	178 091-1053 1	1	Spring	121	-131 310-0023 0	1	Gasket
56	178 043-1513 0	1	Spring, return	123	-437 111-1603 0	1	Pump spring
57	900 162-0501 4	8	H.S.H. bolt 5x14	124	-900 720-0000 5	1	O-ring
58	900 162-0503 0	1	H.S.H. bolt 5x30	126	-437 101-1603 0	1	Pump piston
59	351 123-1613 1	1	Supporter	127	-437 119-1603 0	1	Push botton
60	900 162-0501 8	6	H.S.H. bolt 5x18				

Remarks:

3 Includes 2.

\*

3 Includes 2.

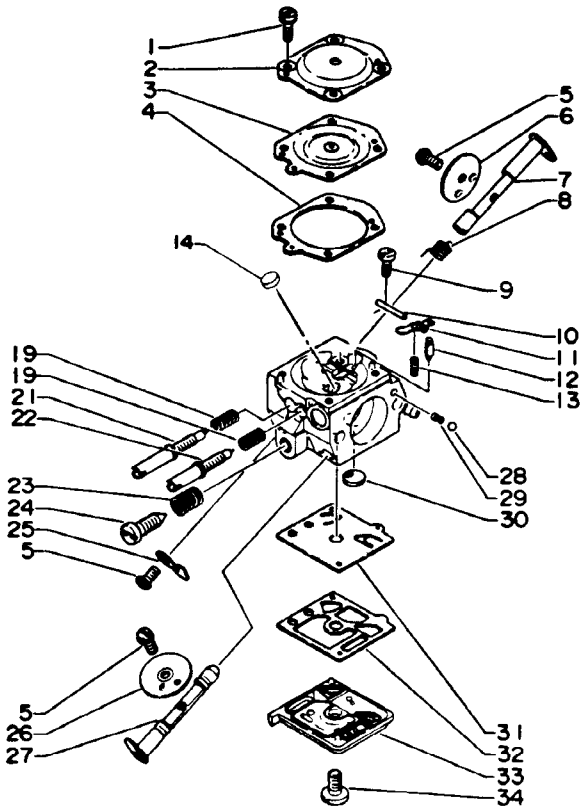
5 Includes 7.

\* Consists of 26 thru 30.

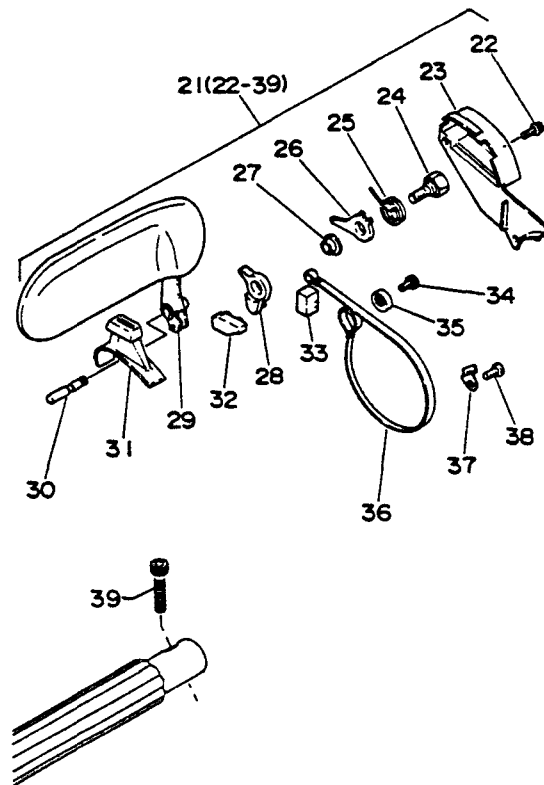
67 Includes 65 and 67,

\*\* Consists of 36 and 79 thru 92.

\*\*\* Consists of 117 thru 127 except 120.



Key No	Part No	Q'ty	Description
<b>3-</b>	<b>123 000-1613 2</b>	<b>1</b>	<b>Carburetor ass'y HDA</b>
1	-123 130-0296 0	4	Screw
2	-123 142-1613 0	1	Cover m diaphragm
3	-123 141-1613 0	1	Diaphragm metering
4	-123 140-1613 0	1	Gasket m diaphragm
5	-123 114-0393 0	3	Screw
6	-123 132-1613 0	1	Valve throttle
7	-123 117-1613 1	1	Shaft throttle
8	-123 113-1613 1	1	Spring t return
9	-123 139-0393 0	1	Screw m lever pin
10	-123 138-0393 0	1	Pin m lever
11	-123 123-1613 0	1	Lever metering
12	-123 137-1613 0	1	Valve inlet
13	-123 122-1613 1	1	Spring m lever
14	-123 146-1063 0	1	Plug
19	-123 121-1613 0	2	Spring needle
21	-123 120-1613 2	1	Needle high
22	-123 118-1613 1	1	Needle idle
23	-123 133-1113 0	1	Spring idle adjust
24	-123 134-1613 0	1	Screw idle adjust
25	-123 156-1233 0	1	Stop throttle
26	-123 132-1733 0	1	Valve choke
27	-123 131-1613 0	1	Shaft choke
28	-123 136-1063 0	1	Ball choke friction
29	-123 135-1063 0	1	Spring choke friction
30	-123 126-1063 1	1	Screen inlet
31	-123 112-1233 0	1	Diaphragm pump
32	-123 125-1233 0	1	Gasket pump
33	-123 124-1613 0	1	Cover pump
34	-123 110-1613 0	1	Screw pump cover



Key No.	Part Number	Q'ty	Description
<b>21</b>	<b>433 100-1613 1</b>	<b>1</b>	<b>Brake ass'y, chain</b>
22	-900242-0401 0	3	Screw 4x10
23	-433 310-1613 0	1	Cover
24	-433 134-1233 0	1	Bolt
25	-433 114-1233 0	1	Spring
26	-433 119-1233 0	1	Stopper
27	-433 115-1233 0	1	Spacer
28	-433 117-1233 0	1	Connector
29	-433 105-1613 0	1	Handle
30	-433 113-1233 0	1	Shaft
31	-433 312-1233 0	1	Cover, lever
32	-433 149-1613 0	1	Reset rubber
33	-433 313-1233 0	1	Seal
34	-900 242-0501 0	1	Screw 5x10
35	-433 142-1233 0	1	Adjuster
36	-433 123-1233 0	1	Band, brake
37	-433 144-1233 1	1	Retainer
38	-900 242-0501 0	1	Screw 5x10
39	-900 162-0503 0	1	H.S.H. bolt 5x30