



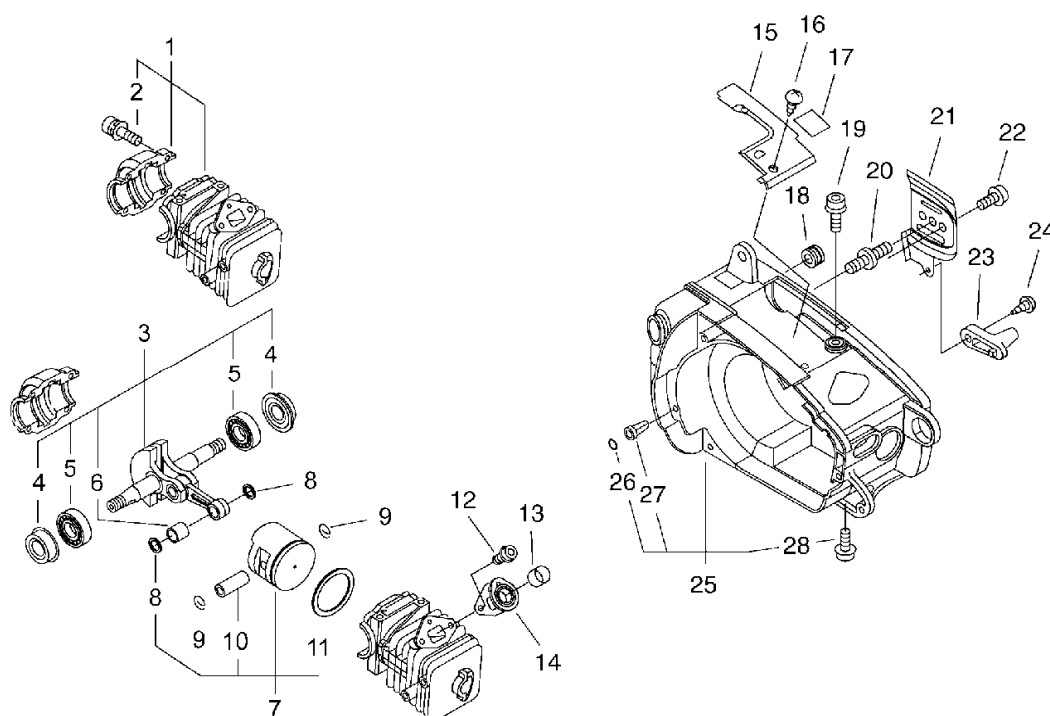
# **PARTS CATALOG**

## **TOP HANDLE SAW CS-260TES(36)**



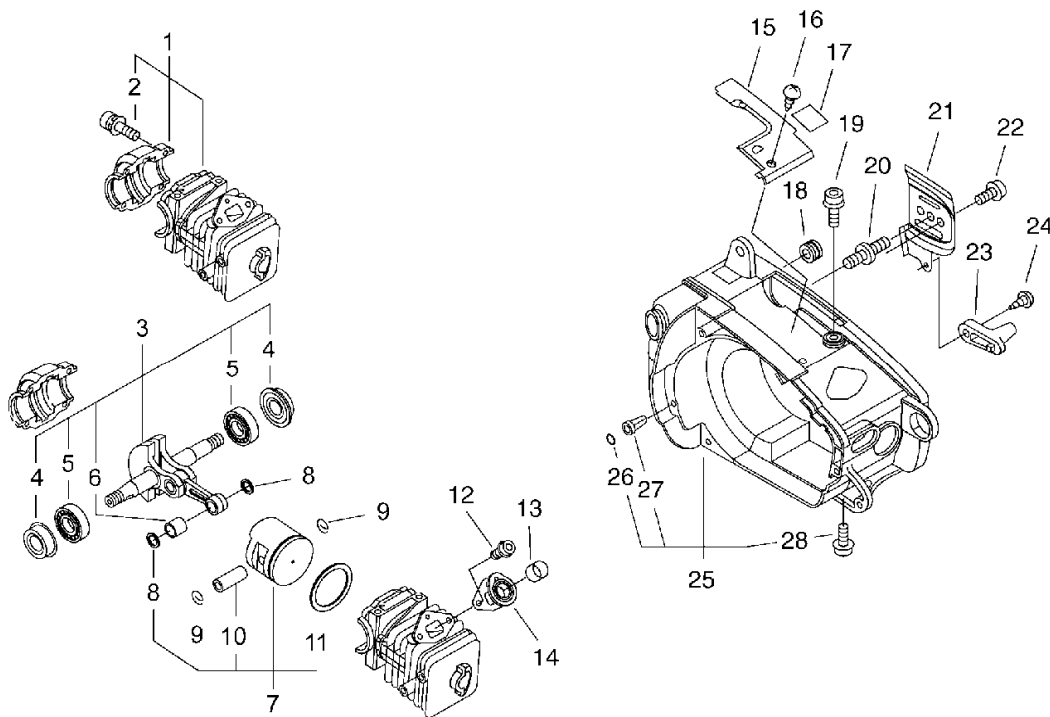
CS-260TES(36)

## 1. Cylinder, Crankcase, Piston



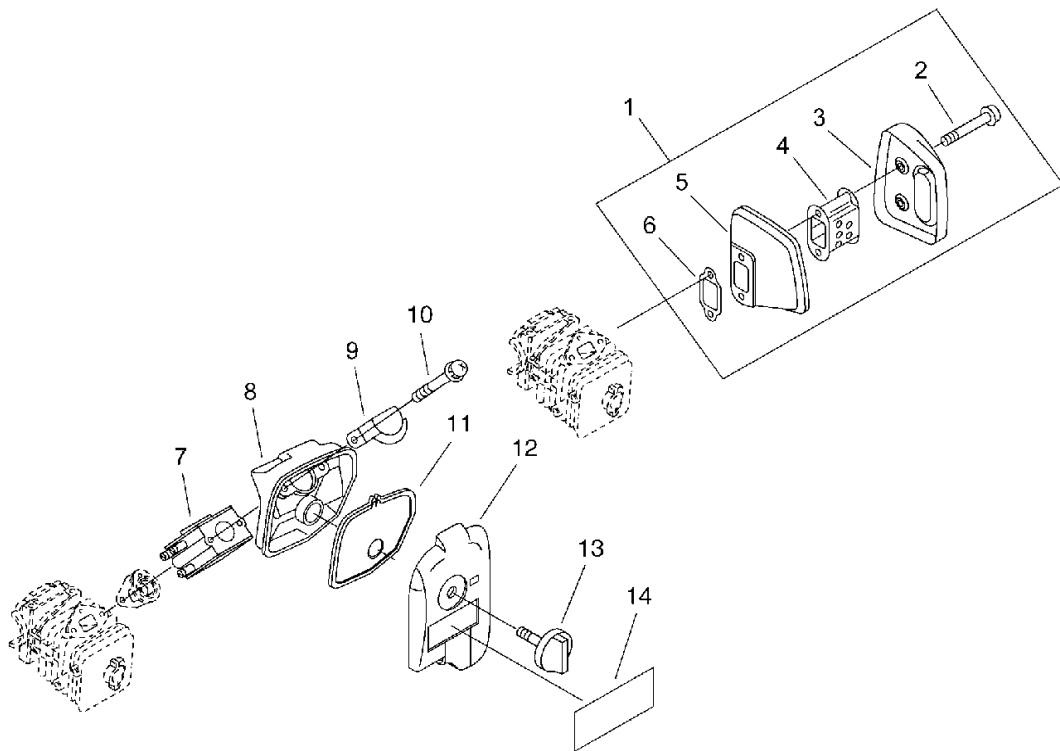
KEY	LV	PART NUMBER	Q'TY	DESCRIPTION	REMARKS	NOTE1	NOTE2
1		P021-011230	1	CRANKCASE SET			
2	+	900162-05022	4	BOLT, H.S. 5*22	5*22 W,SW		
3		P021-011220	1	CRANKSHAFT ASY			
4	+	V505-000000	2	SEAL,OIL	12*28*5.5		
5	+	900800-36001	2	BEARING, BALL 6001	6001/C3		
6	+	V553-000020	1	BEARING,NEEDLE 8	KBK8X11X8.8X4		
7		P021-002150	1	PISTON KIT			
8	+	100014-55930	2	SPACER, PISTON PIN			
9	+	100015-04630	2	CIRCLIP, PISTON PIN			
10	+	100013-22330	1	PIN, PISTON			
11	+	100011-05731	1	RING, PISTON			
12		900162-04012	2	BOLT, H.S. 4*12	4*12 W,SW		
13		V358-000020	1	COLLAR,14			
14		A202-000001	1	BELLOWS,INTAKE			
15		A127-000021	1	COVER,DUST			
16		900253-04012	2	SCREW	4*12		
17		X505-000370	1	LABEL,CAUTION		Sus. by X505-002440	
18		163911-30130	1	PLUG			
19		900106-05016	2	BOLT, H.S. 5*16	5*16		
20		V225-000030	1	BOLT,STUD 8			
21		C305-000022	1	PLATE,SPROCKET GUARD			
22		V202-000011	2	BOLT,4	4*12		
23		433026-35430	1	CATCHER, CHAIN			
24		900253-05020	1	SCREW 5*20	5*20		

1. Cylinder, Crankcase, Piston



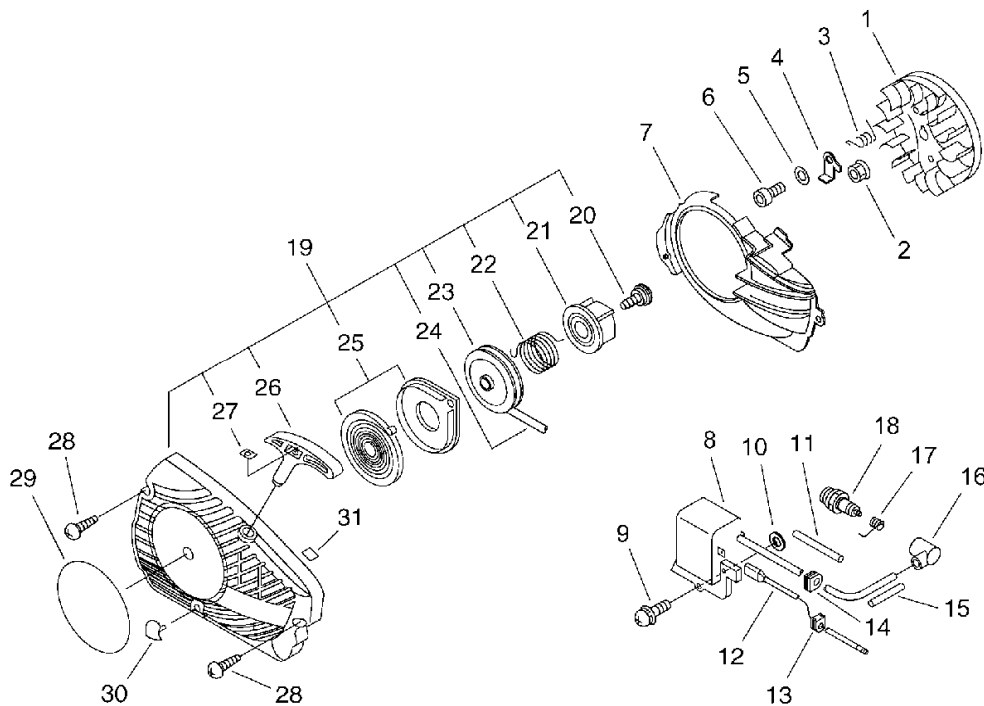
KEY	LV	PART NUMBER	Q'TY	DESCRIPTION	REMARKS	NOTE1	NOTE2
25		P021-003435	1	COVER ENGINE		Sus. by P021-003436	
26	+	900724-00004	1	O-RING (S-4)	S-4		
27	+	436114-13930	1	VALVE, CHECK			
28	+	900106-05025	2	BOLT, H.S. 5*25	5*25		

## 2. Air Cleaner, Muffler



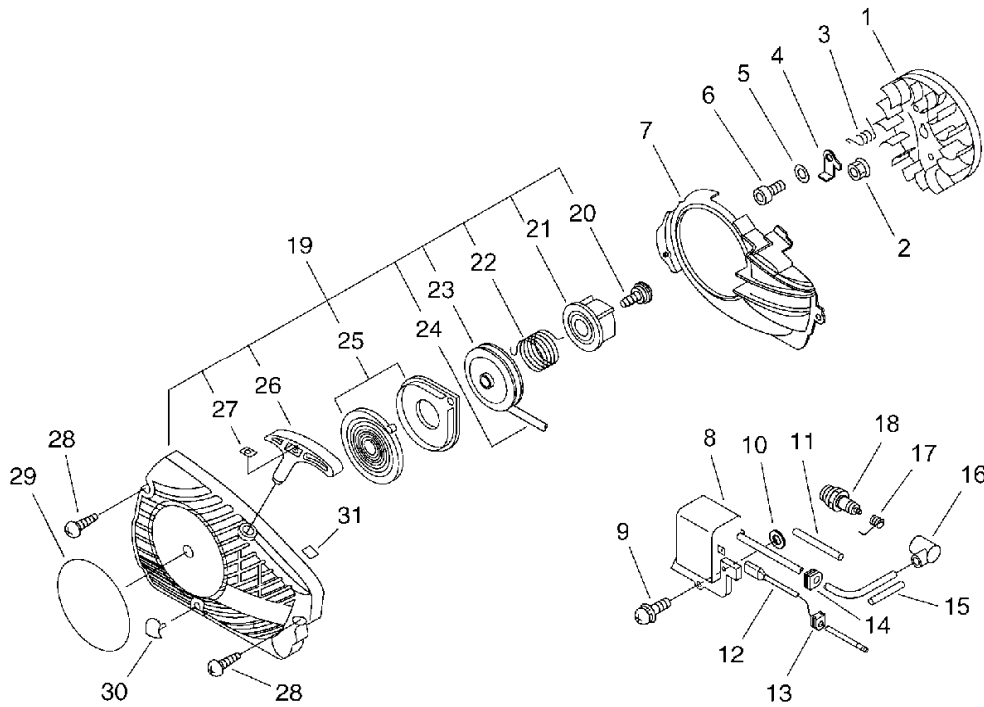
KEY	LV	PART NUMBER	Q'TY	DESCRIPTION	REMARKS	NOTE1	NOTE2
1		P021-001930	1	MUFFLER ASY			
2	+	91107-05040	2	BOLT HSH FLANGE	5*40		
3	+	A303-000000	1	LID,MUFFLER			
4	+	A301-000000	1	PLATE,MUFFLER			
5	+	A300-000130	1	MUFFLER,EXHAUST			
6	+	145510-13931	1	GASKET, MUFFLER			
7		A021-001400	1	CARBURETOR,DIAPHRAGM	WT-843		
8		A225-000023	1	CASE,CLEANER			
9		A244-000000	1	PLATE,PREVENT			
10		900238-05050	2	SCREW 5*50	5*50		
11		A226-000050	1	ELEMENT,AIR FILTER			
12		A232-000061	1	LID,CLEANER			
13		A235-000040	1	KNOB,CLEANER LID			
14		X503-007630	1	LABEL,MODEL	CS-260TES		

## 3. Starter, Magneto



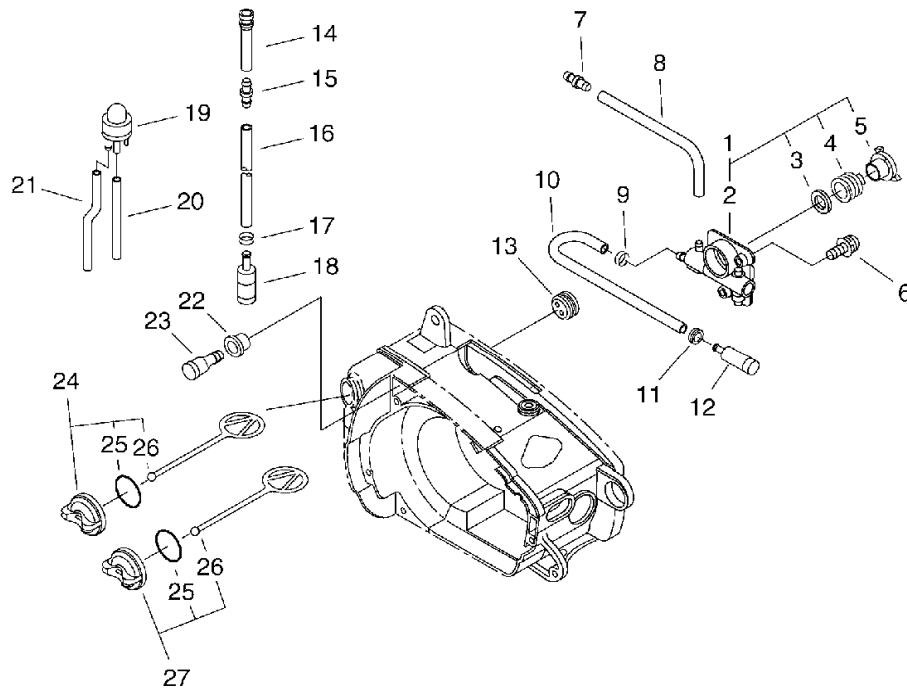
KEY	LV	PART NUMBER	Q'TY	DESCRIPTION	REMARKS	NOTE1	NOTE2
1		A409-000040	1	ROTOR,MAGNETO			
2		900515-00008	1	NUT, FLANGE 8	8		
3		V452-000030	2	SPRING,TORSION			
4		A514-000020	2	PAWL			
5		900603-00005	2	WASHER 5	5.5*12*0.8		
6		V203-000100	2	BOLT,5	M5*16		
7		A172-000112	1	COVER,FAN			
8		A411-000340	1	COIL, IGNITION	ID#10475		
9		900238-05022	2	SCREW 5*22	5*22		
10		150117-16430	2	SPACER			
11		V475-001900	1	TUBE	7*8.6*30		
12		V485-000140	1	LEAD			
13		156114-07320	1	GROMMET			
14		156110-04920	1	BUSHING			
15		V475-003550	1	TUBE	HST-10 7*8.6*50		
16		A427-000012	1	CAP, SPARK PLUG		Sus. by A427-000013	
17		A426-000010	1	TERMINAL, SPARK PLUG			
18		159010-10230	1	PLUG, SPARK (BPMR-7A)	BPMR-7A		
19		A051-000634	1	STARTER, RECOIL		Sus. by A051-000635	
20	+	177236-61830	1	SCREW			
21	+	A507-000021	1	CATCHER, PAWL			
22	+	V452-000150	1	SPRING, TORSION			
23	+	A506-000030	1	REEL, ROPE			

### 3. Starter, Magneto



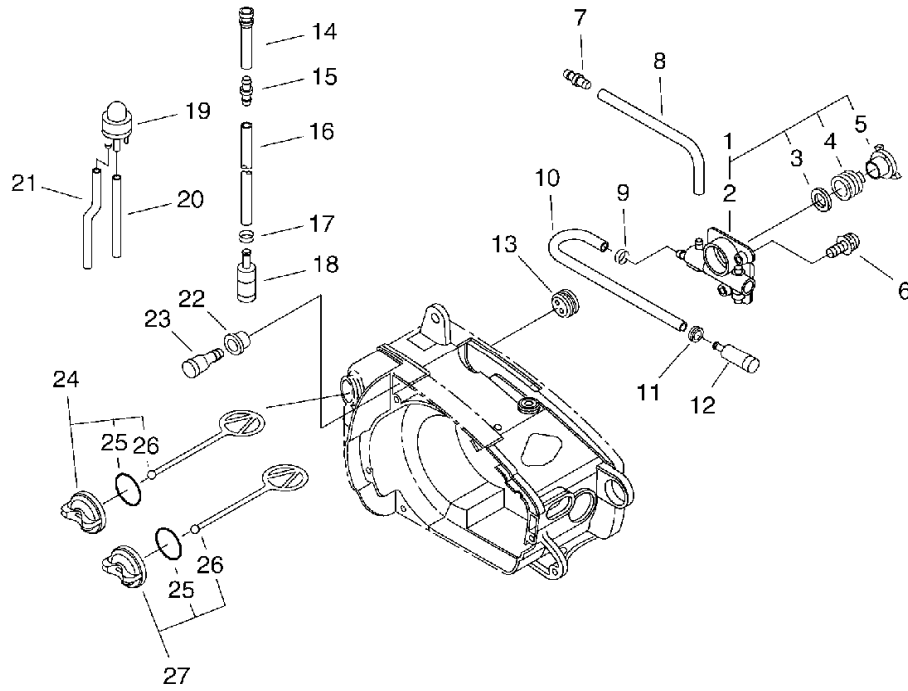
KEY	LV	PART NUMBER	Q'TY	DESCRIPTION	REMARKS	NOTE1	NOTE2
24	+	P022-006220	1	ROPE			
25	+	P022-001330	1	SPRING KIT, REWIND			
26	+	P022-001320	1	GRIP, STARTER			
27	+	177246-11120	1	CLIP, STARTER ROPE			
28		900256-04016	3	SCREW 4*16	4*16		
29		X502-000350	1	LABEL,ECHO	56.5ES-START		
30		V162-000150	1	PLUG			
31		890631-38230	1	LABEL, CAUTION			

## 4. Auto-Oiler



KEY	LV	PART NUMBER	Q'TY	DESCRIPTION	REMARKS	NOTE1	NOTE2
1		P021-010890	1	AUTO-OILER ASY			
2	+	C022-000020	1	AUTO-OILER ASSEMBLY			
3	+	V308-000030	1	WASHER,CIRCULAR 11	10.5*17.4*1.8		
4	+	V652-000030	1	GEAR,WORM			
5	+	V356-000290	1	COLLAR,10			
6		900238-04012	2	SCREW 4*12	4*12		
7		V187-000010	1	NIPPLE			
8		132012-11960	1	PIPE 3* 6* 45	3*6*45 NBR		
9		132013-26630	1	CLIP	6.5MM		
10		132010-22130	1	PIPE, FUEL	3*6*150L NBR		
11		132115-01461	1	GROMMET			
12		436205-02832	1	STRAINER, OIL			
13		132115-44330	1	GROMMET			
14		V470-000320	1	PIPE			
15		V186-000020	1	JOINT, PIPE			
16		V471-001230	1	PIPE	3*5*210 NBR		
17		132013-09820	1	CLIP	6MM		
18		131205-14930	1	STRAINER, FUEL			
19		123181-39130	1	PUMP, PRIMER			
20		V471-001260	1	PIPE	2.4*5*150		
21		V471-001250	1	PIPE	2.4*5*250		
22		V137-000000	1	GROMMET, FUEL			
23		131300-56430	1	VALVE, CHECK			
24		P021-005591	1	CAP ASY			
25	+	900720-00018	1	O-RING 18	P-18		

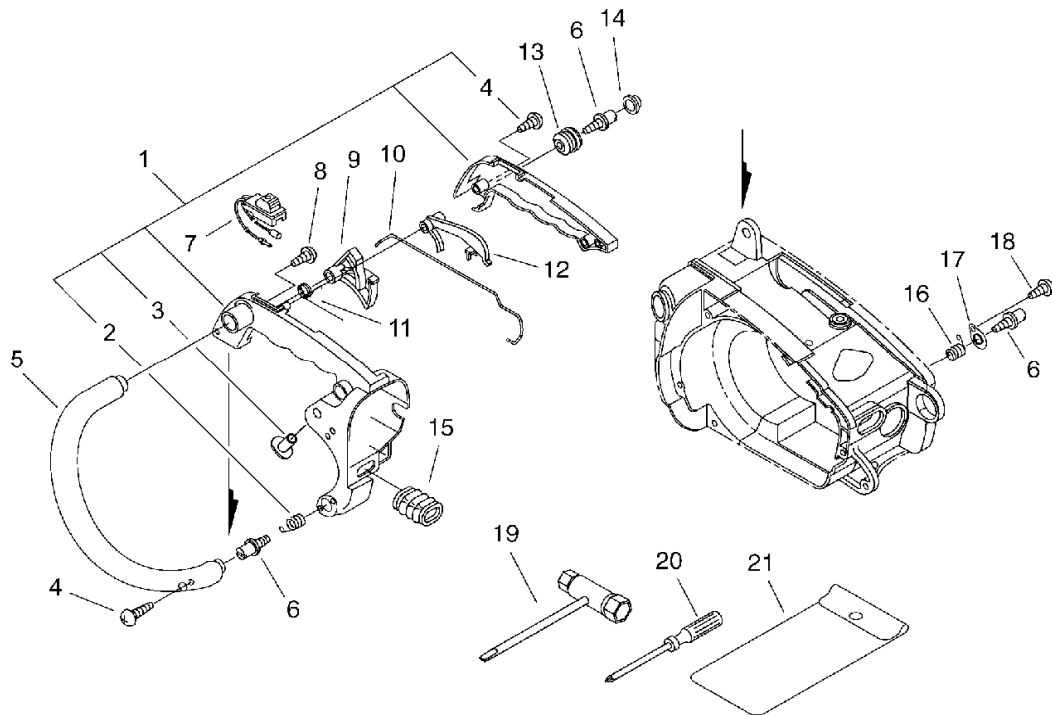
4. Auto-Oiler



KEY	LV	PART NUMBER	Q'TY	DESCRIPTION	REMARKS	NOTE1	NOTE2
26	+	A365-000050	1	CONNECTOR,CAP			
27		P021-005581	1	OIL CAP ASY			
25	+	900720-00018	1	O-RING 18	P-18		
26	+	A365-000050	1	CONNECTOR,CAP			

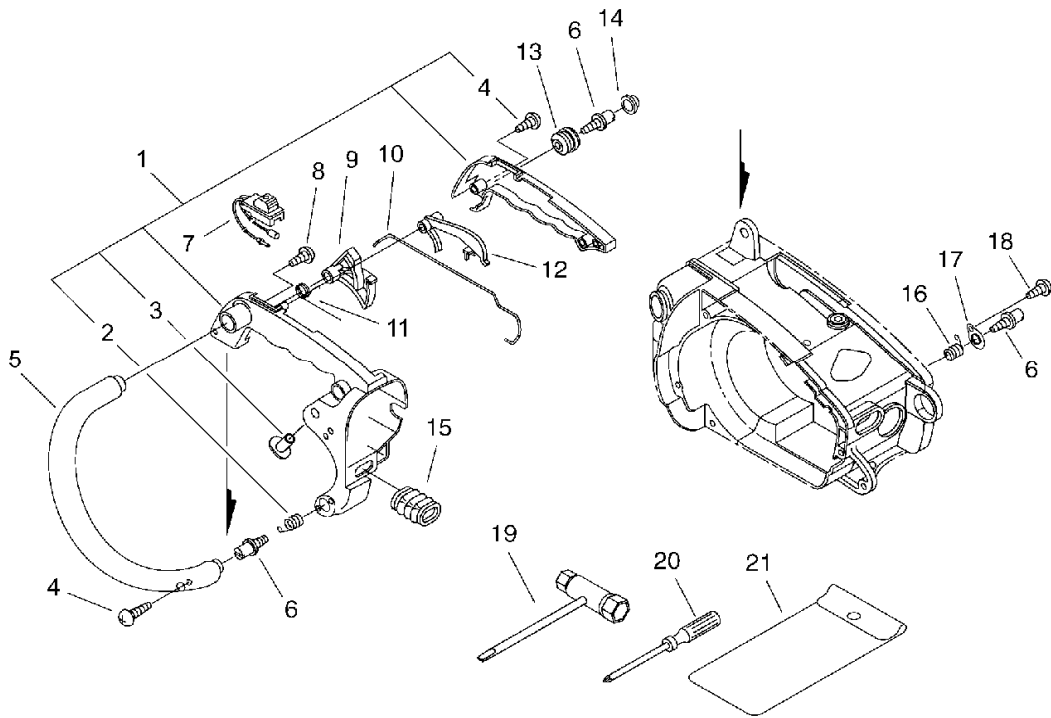


## 5. Handle, Tools(Sr/Nr 36029110 and before)

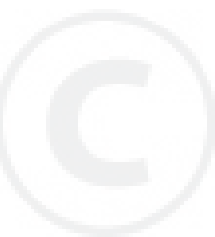


KEY	LV	PART NUMBER	Q'TY	DESCRIPTION	REMARKS	NOTE1	NOTE2
1		P021-001963	1	HANDLE SET, REAR			
2	+	V450-000340	1	SPRING, COMPRESSION	ES		
3	+	130020-33330	2	NUT			
4	+	900256-04016	4	SCREW 4*16	4*16		
4		900256-04016	2	SCREW 4*16	4*16		
5		C400-000050	1	HANDLE, FRONT			
6		V202-000000	3	BOLT, 4			
7		A440-000210	1	SWITCH, ON OFF		Sus. by A440-000211, Sr/Nr 36029110 and before	
8		900253-05020	1	SCREW 5*20	5*20		
9		C450-000010	1	TRIGGER, THROTTLE			
10		C454-000051	1	ROD, THROTTLE			
11		V452-000010	1	SPRING, TORSION			
12		C460-000002	1	LOCKOUT, THROTTLE			
13		100921-39130	1	CUSHION		Sus. by 100921-39130	
14		100918-15130	1	CAP			
15		A239-000000	1	PIPE, INTAKE			
16		V450-000080	1	SPRING, COMPRESSION			
17		V150-000420	1	PLATE, EYE			
18		900253-04012	1	SCREW	4*12		
19		895410-02830	1	WRENCH, W/S. DRIVER			
20		895812-03930	1	DRIVER, SCREW 50			
21		898510-39130	1	BAG, TOOL			

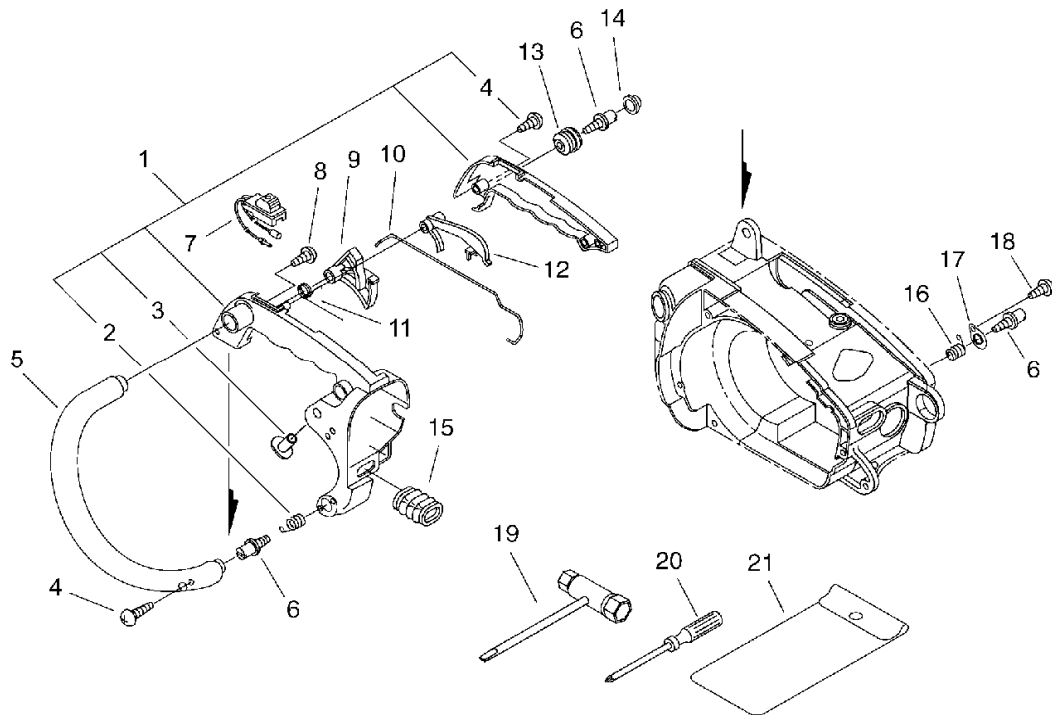
5. Handle, Tools(Sr/Nr 36029110 and before)



KEY	LV	PART NUMBER	Q'TY	DESCRIPTION	REMARKS	NOTE1	NOTE2
22		X640-000011	1	TOOL,PULLER			

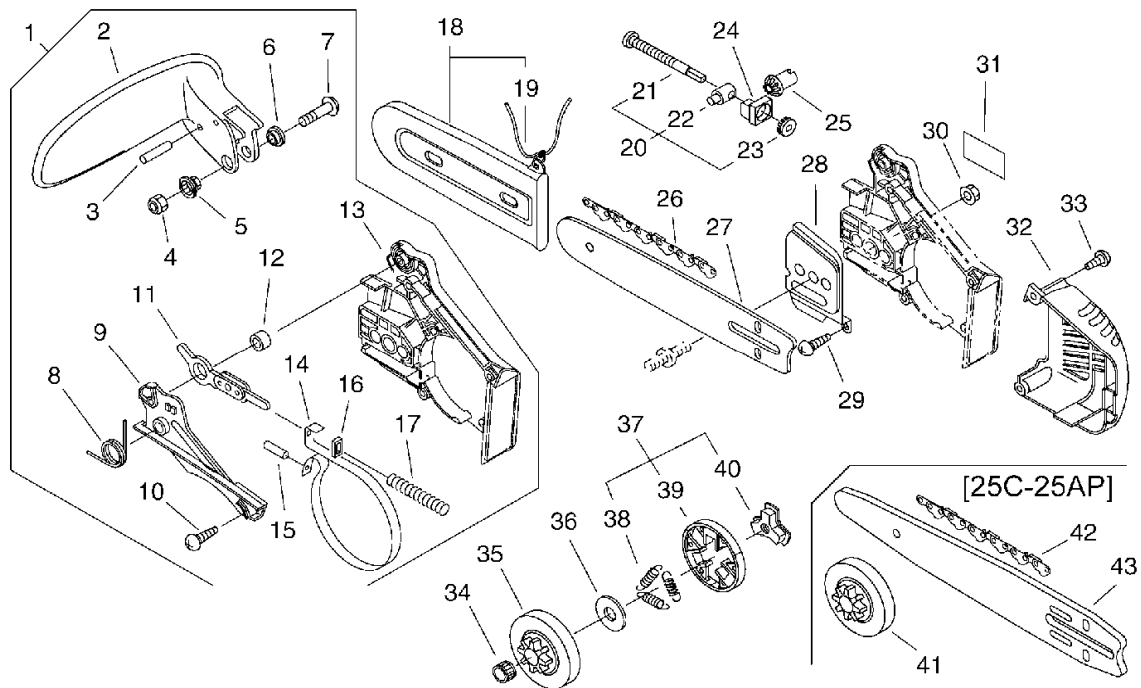


## 6. Handle, Tools(Sr/Nr 36029111 and after)



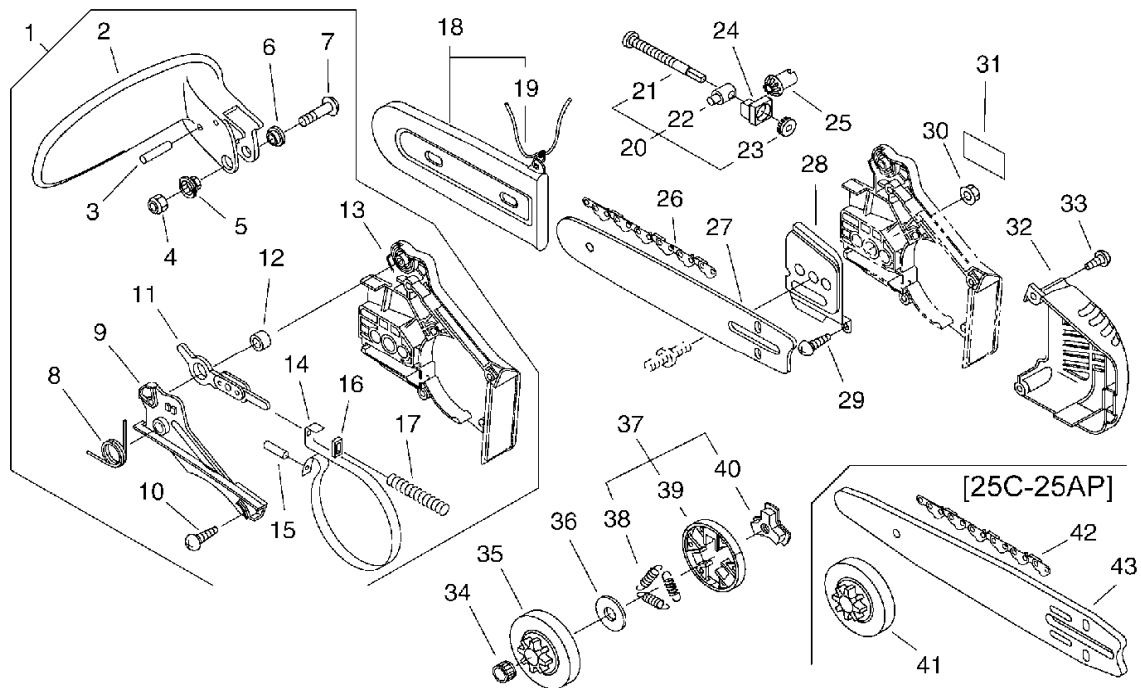
KEY	LV	PART NUMBER	Q'TY	DESCRIPTION	REMARKS	NOTE1	NOTE2
1		P021-001963	1	HANDLE SET, REAR			
2	+	V450-000340	1	SPRING, COMPRESSION	ES		
3	+	130020-33330	2	NUT			
4	+	900256-04016	4	SCREW 4*16	4*16		
4		900256-04016	2	SCREW 4*16	4*16		
5		C400-000050	1	HANDLE, FRONT			
6		V202-000000	3	BOLT, 4			
7		A440-000211	1	SWITCH, ON OFF			Sr/Nr 36029111 and after
8		900253-05020	1	SCREW 5*20	5*20		
9		C450-000010	1	TRIGGER, THROTTLE			
10		C454-000051	1	ROD, THROTTLE			
11		V452-000010	1	SPRING, TORSION			
12		C460-000002	1	LOCKOUT, THROTTLE			
13		100921-39131	1	CUSHION			
14		100918-15130	1	CAP			
15		A239-000000	1	PIPE, INTAKE			
16		V450-000080	1	SPRING, COMPRESSION			
17		V150-000420	1	PLATE, EYE			
18		900253-04012	1	SCREW	4*12		
19		895410-02830	1	WRENCH, W/S. DRIVER			
20		895812-03930	1	DRIVER, SCREW 50			
21		898510-39130	1	BAG, TOOL			

## 7. Clutch, Sprocket, Chain Brake Assy



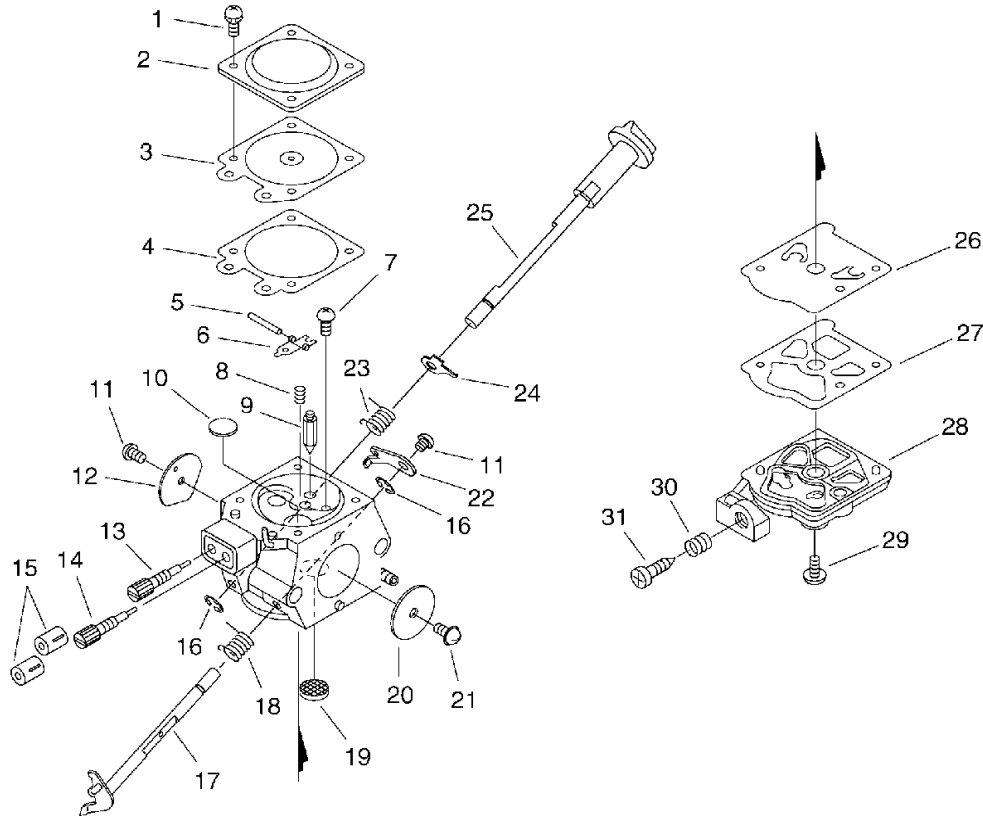
KEY	LV	PART NUMBER	Q'TY	DESCRIPTION	REMARKS	NOTE1	NOTE2
1		C032-000165	1	BRAKE,ASM CHAIN			Sus. by C032-000166
1		C032-000166	1	BRAKE,ASM CHAIN			Sus. by C032-000167
2	+	C320-000032	1	LEVER,BRAKE			Sus. by C320-000033
2	+	C320-000033	1	LEVER,BRAKE			Sus. by C320-000034
3	+	900330-30260	2	ROLLER 3*26	3*26		
4	+	900562-50005	1	LOCKNUT 5	5		
5	+	V353-000060	1	COLLAR,5			
6	+	433167-39130	1	SPACER			
7	+	91318-05032	1	SCREW	5*32		
8	+	V452-000110	1	SPRING,TORSION			
9	+	C345-000112	1	COVER,BRAKE			
10	+	900253-04012	2	SCREW	4*12		
11	+	C334-000070	1	CONNECTOR,BRAKE			
12	+	433116-35430	1	SPACER 8	8*12*9		
13	+	C300-000170	1	GUARD, SPROCKET			
14	+	C328-000020	1	BAND,BRAKE			
15	+	93050-30098	1	ROLLER	F3*9.8		
16	+	V376-000450	1	SPACER			
17	+	V450-000070	1	SPRING,COMPRESSION			
18		P021-002010	1	CHAIN SCABBARD			
19	+	898568-14530	1	ROPE	5*900		
20		P021-000063	1	TENSIONER,CHAIN ASY			

## 7. Clutch, Sprocket, Chain Brake Assy



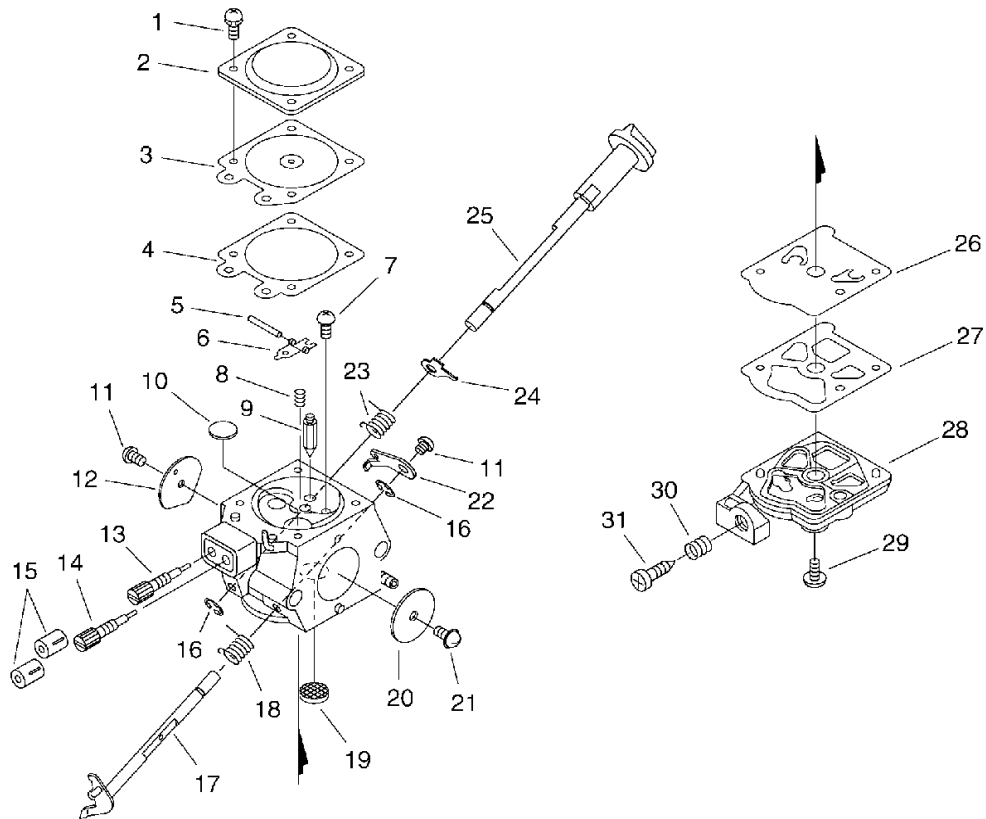
KEY	LV	PART NUMBER	Q'TY	DESCRIPTION	REMARKS	NOTE1	NOTE2
21	+	V203-000021	1	BOLT,5			
22	+	C309-000030	1	TENSIONER,CHAIN			
23	+	V651-000011	1	GEAR,BEVEL			
24		V355-000270	1	COLLAR,8			
25		V651-000001	1	GEAR,BEVEL			
26		X221-000000	1	CHAIN,SAW	91VG-40E	91VG-40E	
27		X121-000002	1	BAR,GUIDE25RC50S-3/8	25RC50S-3/8	25RC50S-3/8	
28		C305-000031	1	PLATE,SPROCKET GUARD			
29		900253-04010	1	SCREW 4*10	4*10		
30		433019-12330	1	NUT, FLANGE 8	M-8		
31		X502-000340	1	LABEL,ECHO	ECHO(WHITE)		
32		A320-000021	1	COVER,MUFFLER		Sus. by A320-000022	
33		900253-04016	2	SCREW 4*16	4*16		
34		175012-35630	1	BEARING, NEEDLE	10*13*10		
35		A556-000091	1	DRUM,CLUTCH	3/8A	3/8A	
36		A551-000010	1	PLATE,CLUTCH			
37		A056-000030	1	CLUTCH			
38	+	V451-000150	3	SPRING,TENSION			
39	+	P021-001950	1	CLUTCH SHOE SET			
40	+	A552-000020	1	HUB,CLUTCH			
41		A556-000101	1	DRUM,CLUTCH	1/4A	1/4A	
42		431610-10030	1	CHAIN, SAW	25AP-60E	25AP-60E	
43		X101-000010	1	BAR,GUIDE 25C50SL	25C50SL ECHO	25C50SL	

## 8. Carburetor



KEY	LV	PART NUMBER	Q'TY	DESCRIPTION	REMARKS	NOTE1	NOTE2
		A021-001400	1	CARBURETOR,DIAPHRAGM	WT-843		
1	+	123130-02960	4	SCREW			
2	+	123142-03930	1	COVER, M. DIAPHRAGM			
3	+	123141-03930	1	DIAPHRAGM, METERING			
4	+	123140-27230	1	GASKET,M. DIAPHRAGM			
5	+	123138-03930	1	PIN, METERING LEVER			
6	+	123123-03930	1	LEVER, METERING			
7	+	123139-03930	1	SCREW, M. LEVER PIN			
8	+	123122-03660	1	SPRING, METER. LEVER			
9	+	123137-19830	1	VALVE, INLET NEEDLE			
10	+	123146-10631	1	PLUG, WELCH			
11	+	123114-38830	2	SCREW			
12	+	123132-35430	1	VALVE, CHOKE			
13	+	123120-03661	1	NEEDLE			
14	+	123118-02261	1	NEEDLE			
15	+	P003-000010	2	LIMITER CAP			
16	+	123127-15030	2	RING			
17	+	P003-001300	1	SHAFT, THROTTLE			
18	+	123113-37530	1	SPRING, THROTTLE RTN			
19	+	123126-10631	1	SCREEN, INLET			
20	+	123116-05960	1	VALVE, THROTTLE			
21	+	123114-05260	1	SCREW			
22	+	P003-000380	1	THROTTLE, LEVER			
23	+	P003-001470	1	SPRING			
24	+	P003-001510	1	LEVER-FAST IDLE			
25	+	P003-000400	1	SHAFT-CHOKE(MOLD)			

## 8. Carburetor



KEY	LV	PART NUMBER	Q'TY	DESCRIPTION	REMARKS	NOTE1	NOTE2
26	+	123112-15030	1	DIAPHRAGM, FUEL PUMP			
27	+	123125-15030	1	GASKET, FUEL PUMP			
28	+	123124-24430	1	COVER, FUEL PUMP			
29	+	123110-03930	1	SCREW, PUMP COVER			
30	+	123133-04260	1	SPRING, IDLE ADJUST			
31	+	123134-04260	1	SCREW, IDLE ADJUST			

**Index**

<b>Patrs Number</b>	<b>Key No.</b>	<b>Patrs Number</b>	<b>Key No.</b>	<b>Patrs Number</b>	<b>Key No.</b>
100011-05731	1 - 11	163911-30130	1 - 18	91318-05032	7 - 7
100013-22330	1 - 10	175012-35630	7 - 34	93050-30098	7 - 15
100014-55930	1 - 8	177236-61830	3 - 20	A021-001400	2 - 7
100015-04630	1 - 9	177246-11120	3 - 27	A021-001400	8 -
100918-15130	5 - 14	431610-10030	7 - 42	A051-000634	3 - 19
100918-15130	6 - 14	433019-12330	7 - 30	A056-000030	7 - 37
100921-39130	5 - 13	433026-35430	1 - 23	A127-000021	1 - 15
100921-39131	6 - 13	433116-35430	7 - 12	A172-000112	3 - 7
123110-03930	8 - 29	433167-39130	7 - 6	A202-000001	1 - 14
123112-15030	8 - 26	436114-13930	1 - 27	A225-000023	2 - 8
123113-37530	8 - 18	436205-02832	4 - 12	A226-000050	2 - 11
123114-05260	8 - 21	890631-38230	3 - 31	A232-000061	2 - 12
123114-38830	8 - 11	895410-02830	5 - 19	A235-000040	2 - 13
123116-05960	8 - 20	895410-02830	6 - 19	A239-000000	5 - 15
123118-02261	8 - 14	895812-03930	5 - 20	A239-000000	6 - 15
123120-03661	8 - 13	895812-03930	6 - 20	A244-000000	2 - 9
123122-03660	8 - 8	898510-39130	5 - 21	A300-000130	2 - 5
123123-03930	8 - 6	898510-39130	6 - 21	A301-000000	2 - 4
123124-24430	8 - 28	898568-14530	7 - 19	A303-000000	2 - 3
123125-15030	8 - 27	900106-05016	1 - 19	A320-000021	7 - 32
123126-10631	8 - 19	900106-05025	1 - 28	A365-000050	4 - 26
123127-15030	8 - 16	900162-04012	1 - 12	A365-000050	4 - 26
123130-02960	8 - 1	900162-05022	1 - 2	A409-000040	3 - 1
123132-35430	8 - 12	900238-04012	4 - 6	A411-000340	3 - 8
123133-04260	8 - 30	900238-05022	3 - 9	A426-000010	3 - 17
123134-04260	8 - 31	900238-05050	2 - 10	A427-000012	3 - 16
123137-19830	8 - 9	900253-04010	7 - 29	A440-000210	5 - 7
123138-03930	8 - 5	900253-04012	1 - 16	A440-000211	6 - 7
123139-03930	8 - 7	900253-04012	5 - 18	A506-000030	3 - 23
123140-27230	8 - 4	900253-04012	6 - 18	A507-000021	3 - 21
123141-03930	8 - 3	900253-04012	7 - 10	A514-000020	3 - 4
123142-03930	8 - 2	900253-04016	7 - 33	A551-000010	7 - 36
123146-10631	8 - 10	900253-05020	1 - 24	A552-000020	7 - 40
123181-39130	4 - 19	900253-05020	5 - 8	A556-000091	7 - 35
130020-33330	5 - 3	900253-05020	6 - 8	A556-000101	7 - 41
130020-33330	6 - 3	900256-04016	3 - 28	C022-000020	4 - 2
131205-14930	4 - 18	900256-04016	5 - 4	C032-000165	7 - 1
131300-56430	4 - 23	900256-04016	5 - 4	C032-000166	7 - 1
132010-22130	4 - 10	900256-04016	6 - 4	C300-000170	7 - 13
132012-11960	4 - 8	900256-04016	6 - 4	C305-000022	1 - 21
132013-09820	4 - 17	900330-30260	7 - 3	C305-000031	7 - 28
132013-26630	4 - 9	900515-00008	3 - 2	C309-000030	7 - 22
132115-01461	4 - 11	900562-50005	7 - 4	C320-000032	7 - 2
132115-44330	4 - 13	900603-00005	3 - 5	C320-000033	7 - 2
145510-13931	2 - 6	900720-00018	4 - 25	C328-000020	7 - 14
150117-16430	3 - 10	900720-00018	4 - 25	C334-000070	7 - 11
156110-04920	3 - 14	900724-00004	1 - 26	C345-000112	7 - 9
156114-07320	3 - 13	900800-36001	1 - 5	C400-000050	5 - 5
159010-10230	3 - 18	91107-05040	2 - 2	C400-000050	6 - 5



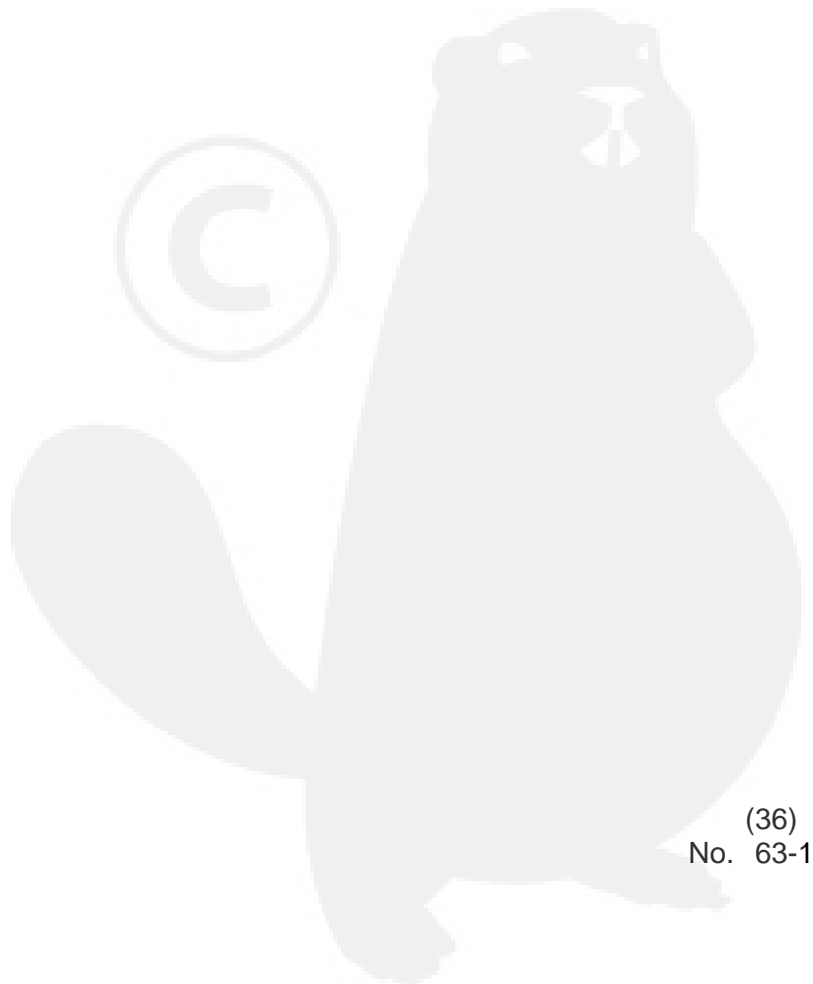
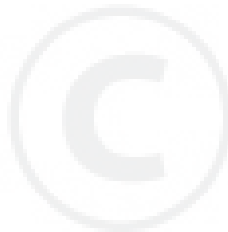
**Index**

<b>Patrs Number</b>	<b>Key No.</b>	<b>Patrs Number</b>	<b>Key No.</b>	<b>Patrs Number</b>	<b>Key No.</b>
C450-000010	5 - 9	V450-000340	5 - 2		
C450-000010	6 - 9	V450-000340	6 - 2		
C454-000051	5 - 10	V451-000150	7 - 38		
C454-000051	6 - 10	V452-000010	5 - 11		
C460-000002	5 - 12	V452-000010	6 - 11		
C460-000002	6 - 12	V452-000030	3 - 3		
P003-000010	8 - 15	V452-000110	7 - 8		
P003-000380	8 - 22	V452-000150	3 - 22		
P003-000400	8 - 25	V470-000320	4 - 14		
P003-001300	8 - 17	V471-001230	4 - 16		
P003-001470	8 - 23	V471-001250	4 - 21		
P003-001510	8 - 24	V471-001260	4 - 20		
P021-000063	7 - 20	V475-001900	3 - 11		
P021-001930	2 - 1	V475-003550	3 - 15		
P021-001950	7 - 39	V485-000140	3 - 12		
P021-001963	5 - 1	V505-000000	1 - 4		
P021-001963	6 - 1	V553-000020	1 - 6		
P021-002010	7 - 18	V651-000001	7 - 25		
P021-002150	1 - 7	V651-000011	7 - 23		
P021-003435	1 - 25	V652-000030	4 - 4		
P021-005581	4 - 27	X101-000010	7 - 43		
P021-005591	4 - 24	X121-000002	7 - 27		
P021-010890	4 - 1	X221-000000	7 - 26		
P021-011220	1 - 3	X502-000340	7 - 31		
P021-011230	1 - 1	X502-000350	3 - 29		
P022-001320	3 - 26	X503-007630	2 - 14		
P022-001330	3 - 25	X505-000370	1 - 17		
P022-006220	3 - 24	X640-000011	5 - 22		
V137-000000	4 - 22				
V150-000420	5 - 17				
V150-000420	6 - 17				
V162-000150	3 - 30				
V186-000020	4 - 15				
V187-000010	4 - 7				
V202-000000	5 - 6				
V202-000000	6 - 6				
V202-000011	1 - 22				
V203-000021	7 - 21				
V203-000100	3 - 6				
V225-000030	1 - 20				
V308-000030	4 - 3				
V353-000060	7 - 5				
V355-000270	7 - 24				
V356-000290	4 - 5				
V358-000020	1 - 13				
V376-000450	7 - 16				
V450-000070	7 - 17				
V450-000080	5 - 16				
V450-000080	6 - 16				

# YAMABIKO CORPORATION

7-2 SUEHIROCHO 1-CHOME, OHME, TOKYO 198-8760, JAPAN  
PHONE: 81-428-32-6118. FAX: 81-428-32-6145.

**ECHO**®



(36)  
No. 63-115