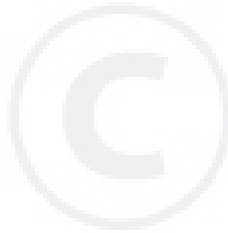




PARTS CATALOG

TOP HANDLE SAW

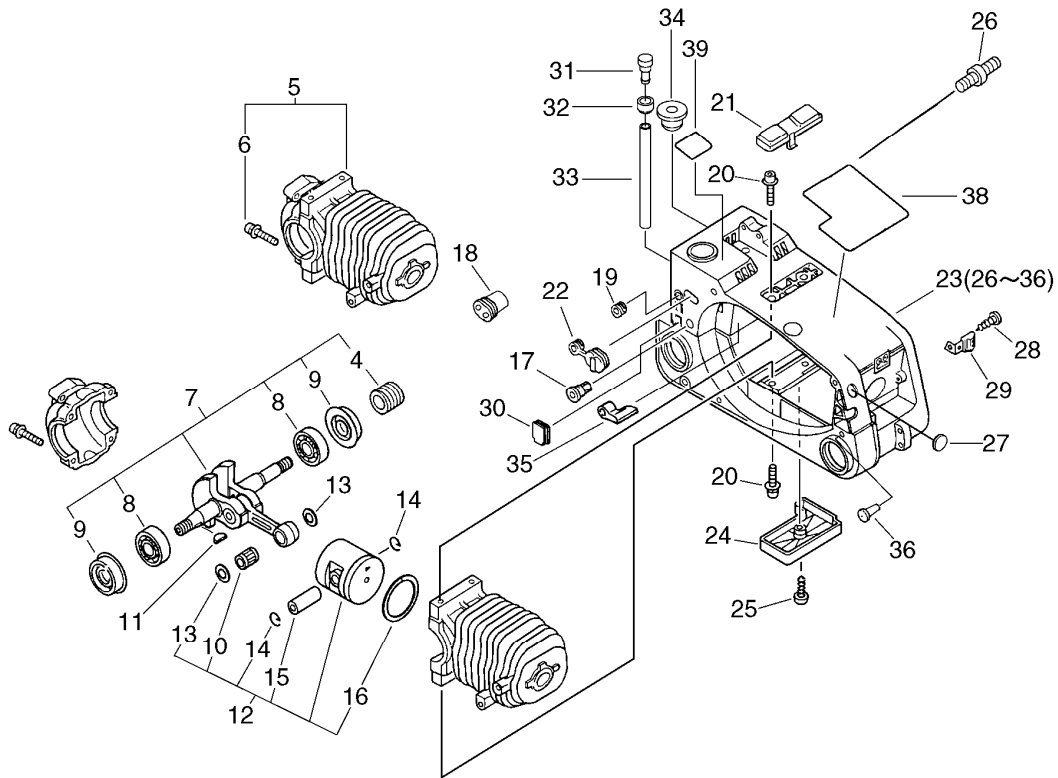
CS-3000_3400(6digits)(35)(36)



- 36057511

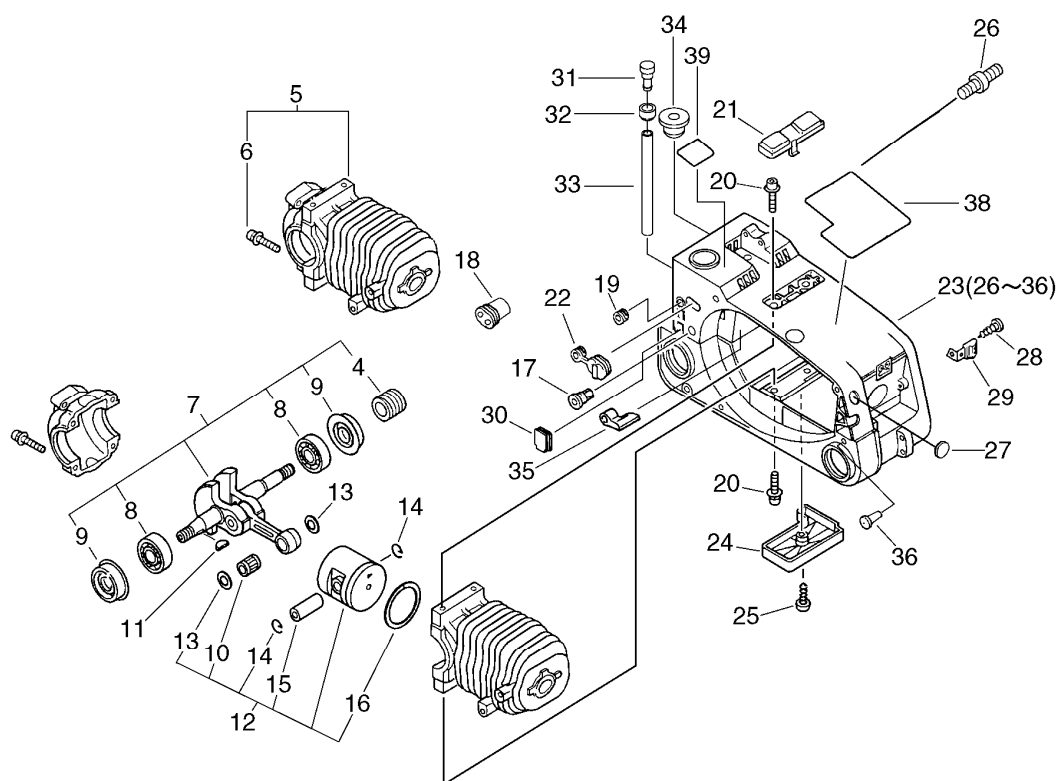
CS-3000_3400(6digits)(35)(36)

1. Cylinder, Crankcase, Piston



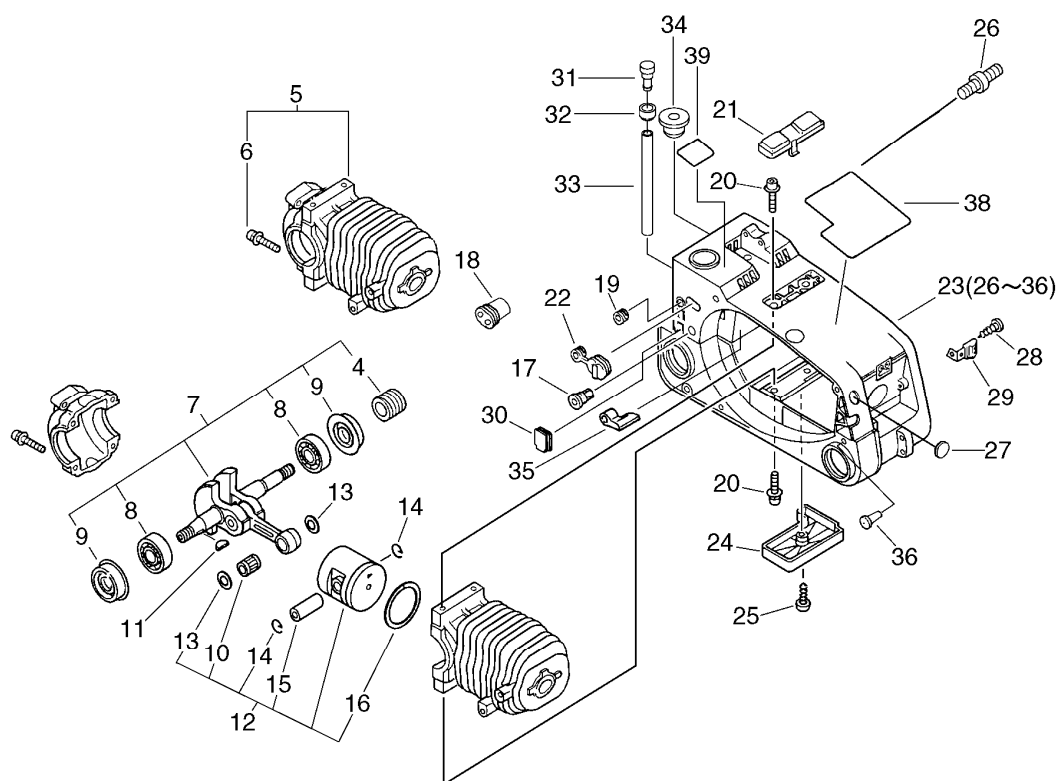
KEY	LV	PART NUMBER	Q'TY	DESCRIPTION	REMARKS	NOTE1	NOTE2
5		100202-39130	1	CRANKCASE SET		Sus. by 100202-39131	
5		100202-39131	1	CRANKCASE SET		CS-3000	
5		100202-39530	1	CRANKCASE SET		Sus. by 100202-70031	
5		100202-39431	1	CRANKCASE SET(ALFED)		Sus. by 100202-70031	
5		100202-70030	1	CRANKCASE SET		Sus. by 100202-70031	
5		100202-70031	1	CRANKCASE SET		CS-3400	
6	+	900238-05025	4	SCREW 5*25	5*25		
7		100101-39130	1	CRANKSHAFT ASSY		Sr/Nr 161537 and before/CS-3000	
7		100101-39130	1	CRANKSHAFT ASSY		Sr/Nr 062910 and before/CS-3400	
7		P021-007231	1	CRANKSHAFT ASY		Sus. by P021-007232	
7		P021-007232	1	CRANKSHAFT ASY		Sr/Nr 016538 and after/CS-3000	
7		P021-007232	1	CRANKSHAFT ASY		Sr/Nr 062911 and after/CS-3400	

1. Cylinder, Crankcase, Piston



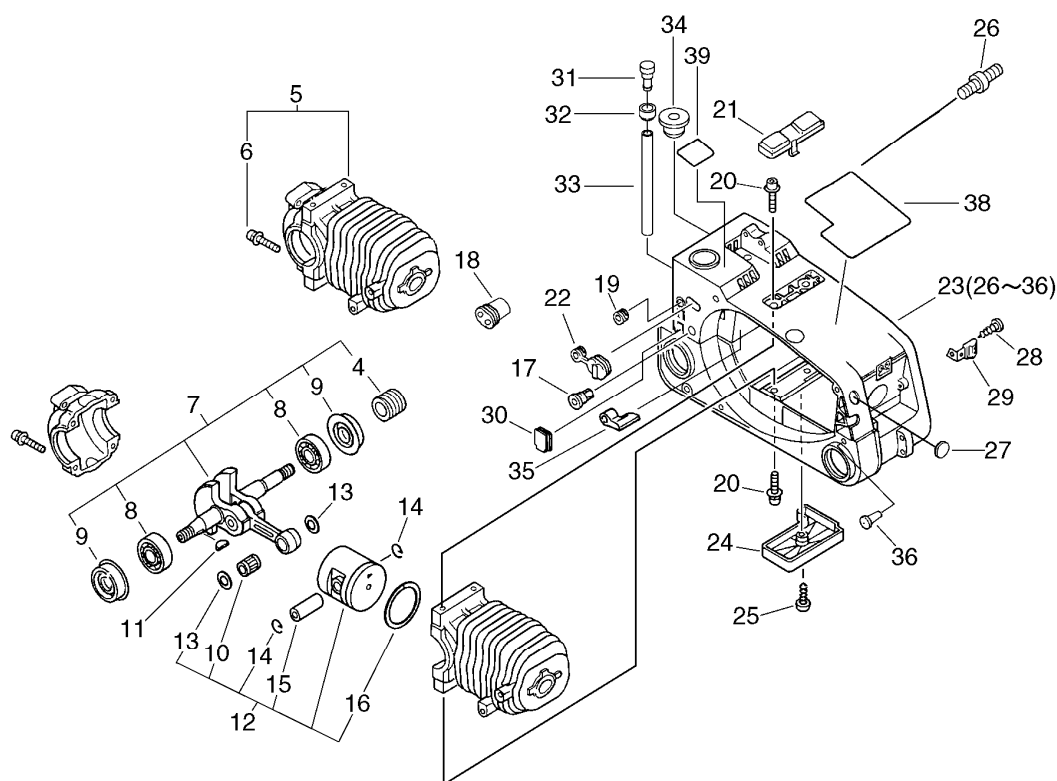
KEY	LV	PART NUMBER	Q'TY	DESCRIPTION	REMARKS	NOTE1	NOTE2
4	+	437063-38330	1	GEAR, WORM		Sus. by V652000021	
4		V652-000020	1	GEAR,WORM		Sus. by V652000021	
4	+	V652-000021	1	GEAR,WORM			
8	+	900810-36201	2	BEARING, BALL 6201	6201/C3	Sus. by 94035-36201	
8	+	94035-36201	2	BEARING BALL	6201X3JR2C3		
9	+	100213-38330	2	OILSEAL	15Z=12*35*6.4	Sr/Nr 161537 and before/CS-3000	
9	+	100213-38330	2	OILSEAL	15Z=12*35*6.4	Sr/Nr 062910 and before/CS-3400	
9	+	V505-000010	2	SEAL,OIL 12		Sr/Nr 016538 and after/CS-3000	
9	+	V505-000010	2	SEAL,OIL 12		Sr/Nr 062911 and after/CS-3400	
11		100142-42030	1	KEY, WOODRUFF		Sus. by 100142-39130	
11		100142-39130	1	KEY, WOODRUFF			
12		100000-39130	1	PISTON KIT		CS-3000	
12		100000-39530	1	PISTON KIT		Sus. by 100000-39230	

1. Cylinder, Crankcase, Piston



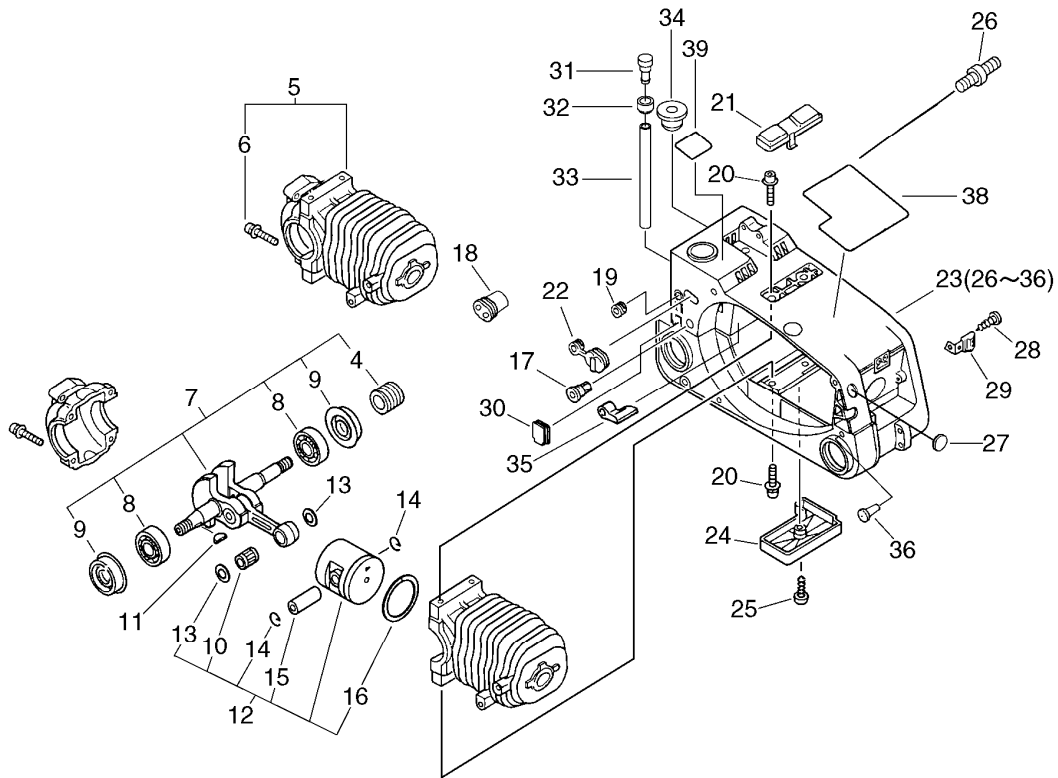
KEY	LV	PART NUMBER	Q'TY	DESCRIPTION	REMARKS	NOTE1	NOTE2
12		100000-39230	1	PISTON KIT		CS-3400	
10	+	175012-03930	1	BEARING, NEEDLE			
13	+	100014-11520	2	SPACER, PISTON PIN			
14	+	100015-04630	2	CIRCLIP, PISTON PIN			
15	+	100013-15330	1	PIN, PISTON	5.5*8*29		
16	+	100011-46430	1	RING, PISTON		CS-3000	
16	+	100011-13330	2	RING, PISTON		CS-3400	
17		129023-39130	1	GROMMET, IDLE		Sus. by 129023-39131	
17		129023-39131	1	GROMMET, IDLE			
18		129010-39130	1	GROMMET, NEEDLE		Sus. by 129010-39131	
18		129010-39131	1	GROMMET, NEEDLE		Sr/Nr 35999999 and before/CS-3000,3400	
19		178810-03330	1	GROMMET		Sr/Nr 35999999 and before/CS-3000,3400	
20		900106-05016	4	BOLT, H.S. 5*16	5*16		
21		104029-39130	1	PLUG, UPPER			
22		178810-39630	1	GROMMET, CHOKE		Sr/Nr 360010001 and before/CS-3000,3400	
24		104044-39130	1	PLUG, LOWER			
25		900256-04016	1	SCREW 4*16	4*16		

1. Cylinder, Crankcase, Piston



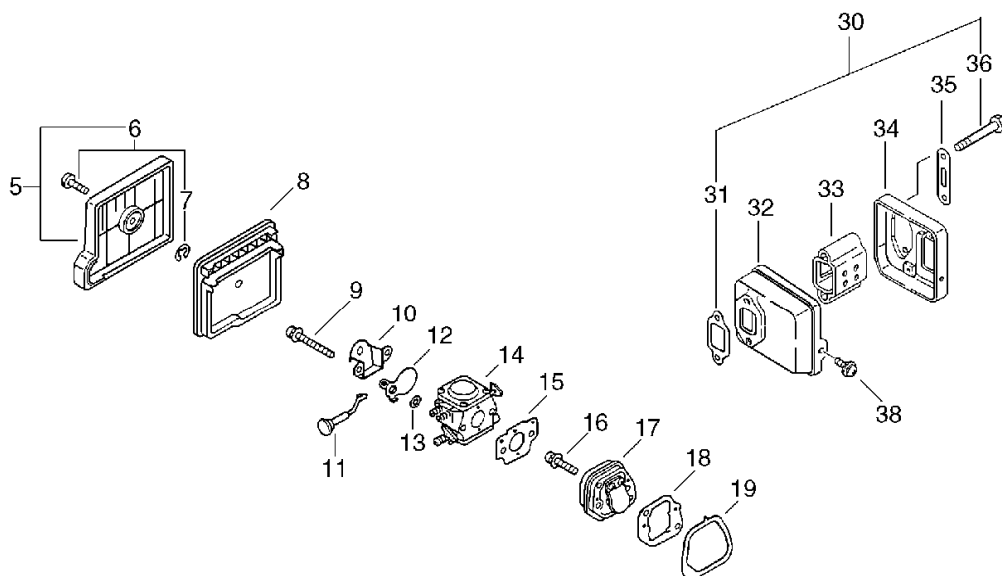
KEY	LV	PART NUMBER	Q'TY	DESCRIPTION	REMARKS	NOTE1	NOTE2
23		104000-39131	1	COVER KIT, ENGINE		Sus. by 104000-39133	
23		104000-39132	1	COVER KIT, ENGINE		Sus. by 104000-39133	
23		104000-39133	1	COVER KIT, ENGINE		Sus. by 104000-39134	
26	+	433011-03931	2	STUD, GUIDE BAR			
27	+	163911-39130	1	PLUG			
28	+	900253-04010	1	SCREW 4*10	4*10		
29	+	104215-39131	1	LATCH			
30	+	104034-39130	1	PLUG			
31	+	131300-40630	1	VALVE, CHECK		Sus. by 131300-56430	
31	+	131300-56430	1	VALVE, CHECK			
32	+	131328-39130	1	COVER, VENT			
33	+	132010-39230	1	PIPE 3* 5*100	3* 5*100	Sus. by 132010-04920	
33	+	132010-04920	1	PIPE, FUEL	3*5*150L NBR		
34	+	132115-39130	1	GROMMET, FUEL			
35	+	130336-39530	1	PLUG			
36	+	436114-13930	1	VALVE, CHECK			
38		X524-000931	1	LABEL	CS-3000 EU	CS-3000(6digits)	
38		890320-39133	1	LABEL, MODEL		CS-3000(35)(36), Sus. by X524-002110	

1. Cylinder, Crankcase, Piston



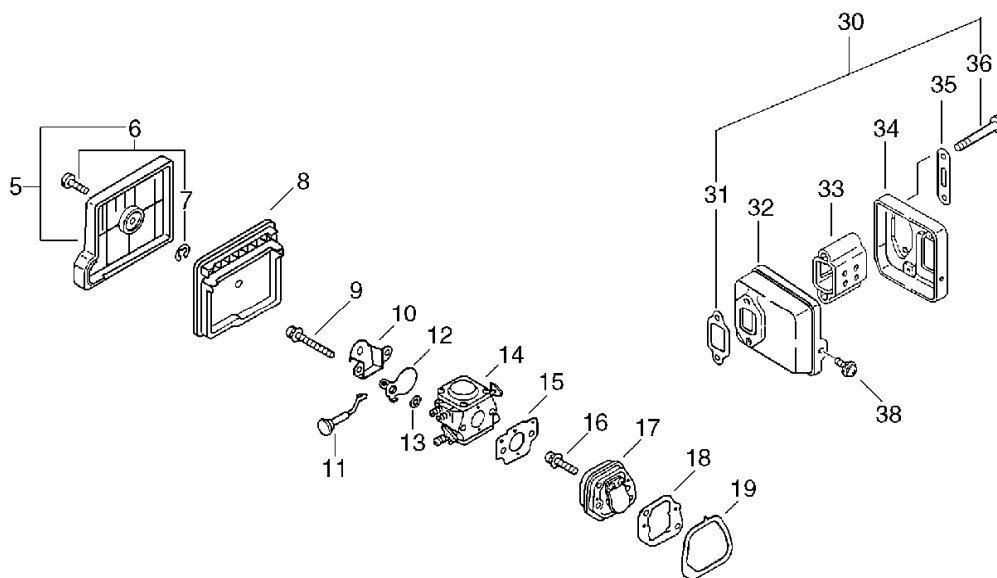
KEY	LV	PART NUMBER	Q'TY	DESCRIPTION	REMARKS	NOTE1	NOTE2
38		X524-000941	1	LABEL	CS-3400 EU	CS-3400(6digits)	
38		890320-39233	1	LABEL, MODEL		CS-3400(35)(36), Sus. by X524- 002120	
39		890631-38230	1	LABEL, CAUTION			

2. Air Cleaner, Muffler



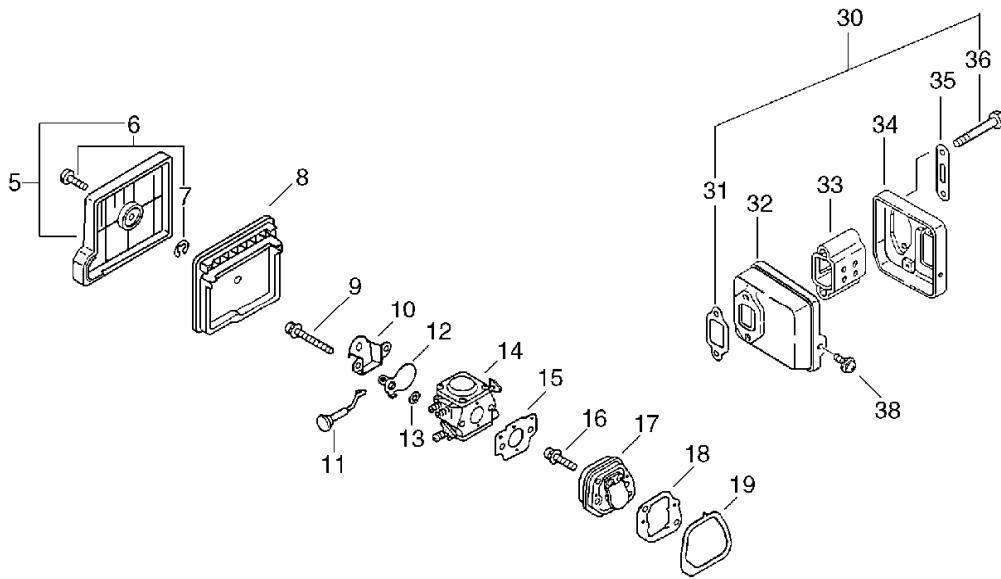
KEY	LV	PART NUMBER	Q'TY	DESCRIPTION	REMARKS	NOTE1	NOTE2
5		130302-39132	1	COVER ASSY, AIR CLN.		Sus. by 130302-39136	
5		130302-39133	1	COVER ASSY, AIR CLN.		Sus. by 130302-39136	
5		130302-39134	1	COVER ASY, A.CLEANER		Sus. by 130302-39136	
5		130302-39135	1	COVER ASY, A.CLEANER		Sus. by 130302-39136	
5		130302-39136	1	COVER ASY, A.CLEANER		Sus. by 130302-39136	
6	+	130406-13932	1	BOLT, THUMB		Sus. by 130406-13933	
6	+	130406-13933	1	BOLT, THUMB			
7	++	900700-00004	1	E-RING 4	CE-4		
8		130310-39131	1	FILTER, AIR		Sus. by 130310-39132	
8		130310-39132	1	FILTER, AIR			
9		900238-05045	2	SCREW 5*45	5*45		
10		129011-39130	1	PLATE, PREVENT			
11		178510-39130	1	ROD, CHOKE			
12		178515-15031	1	SHUTTER, CHOKE		Sus. by 178515-39130	
12		178515-39130	1	SHUTTER, CHOKE			
13		178516-03930	2	WASHER			
14		123000-39130	1	CARBURETOR ASSY	WT-248	Sus. by 123000-60131	

2. Air Cleaner, Muffler



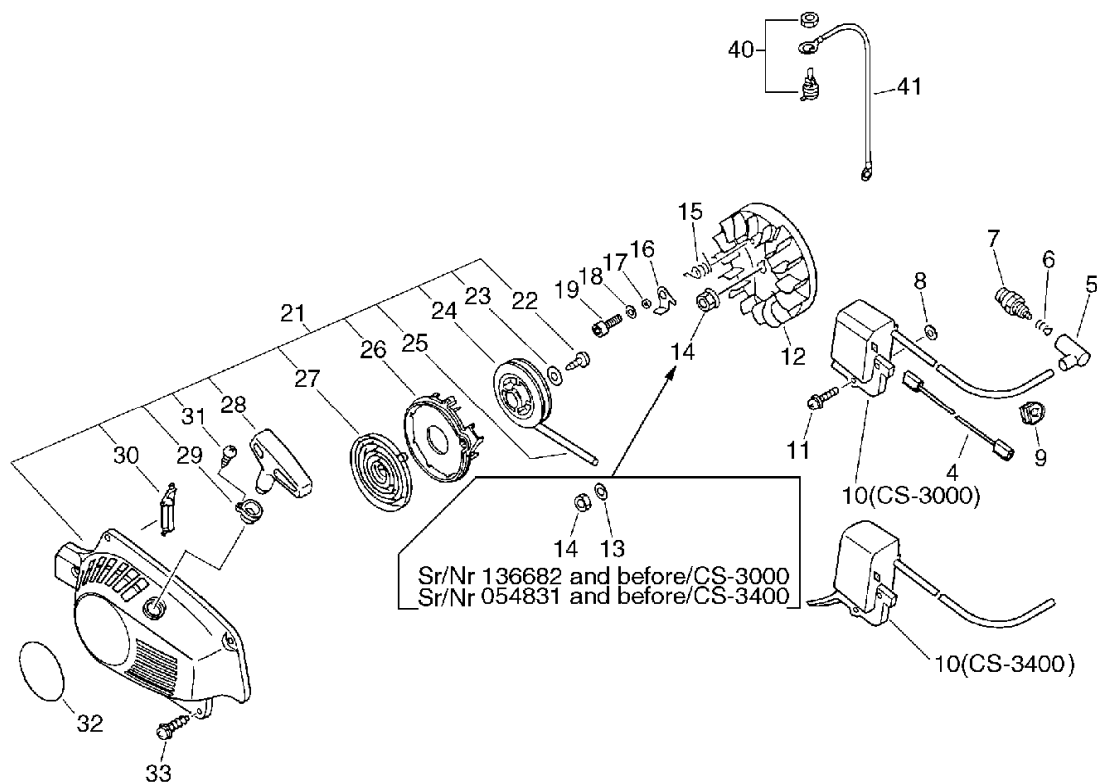
KEY	LV	PART NUMBER	Q'TY	DESCRIPTION	REMARKS	NOTE1	NOTE2
14		123000-39230	1	CARBURETOR ASSY	WT-271	Sus. by 123000-60131	
14		123000-39430	1	CARBURETOR ASSY	WT-254	Sus. by 123000-60131	
14		123000-39530	1	CARBURETOR ASSY	WT-261	Sus. by 123000-60131	
14		123001-39631	1	CARBURETOR ASSY	WT-381	Sus. by 123000-60131	
14		123000-60130	1	CARBURETOR WT-385	WT-385	Sus. by 123000-60131	
14		123000-60131	1	CARBURETOR WT-385A	WT-385A	Sr/Nr 35999999 and before/CS-3000	
14		123000-60131	1	CARBURETOR WT-385A	WT-385A	Sr/Nr 35999999 and before/CS-3400	
14		123001-39133	1	CARBURETOR WT-402B	WT-402B	Sr/Nr 36001001 and after/CS-3000	
14		123001-39133	1	CARBURETOR WT-402B	WT-402B	Sr/Nr 36001001 and after/CS-3400	
15		130016-39130	1	GASKET, INTAKE			
16		900250-05018	2	SCREW 5*18	5*18		

2. Air Cleaner, Muffler



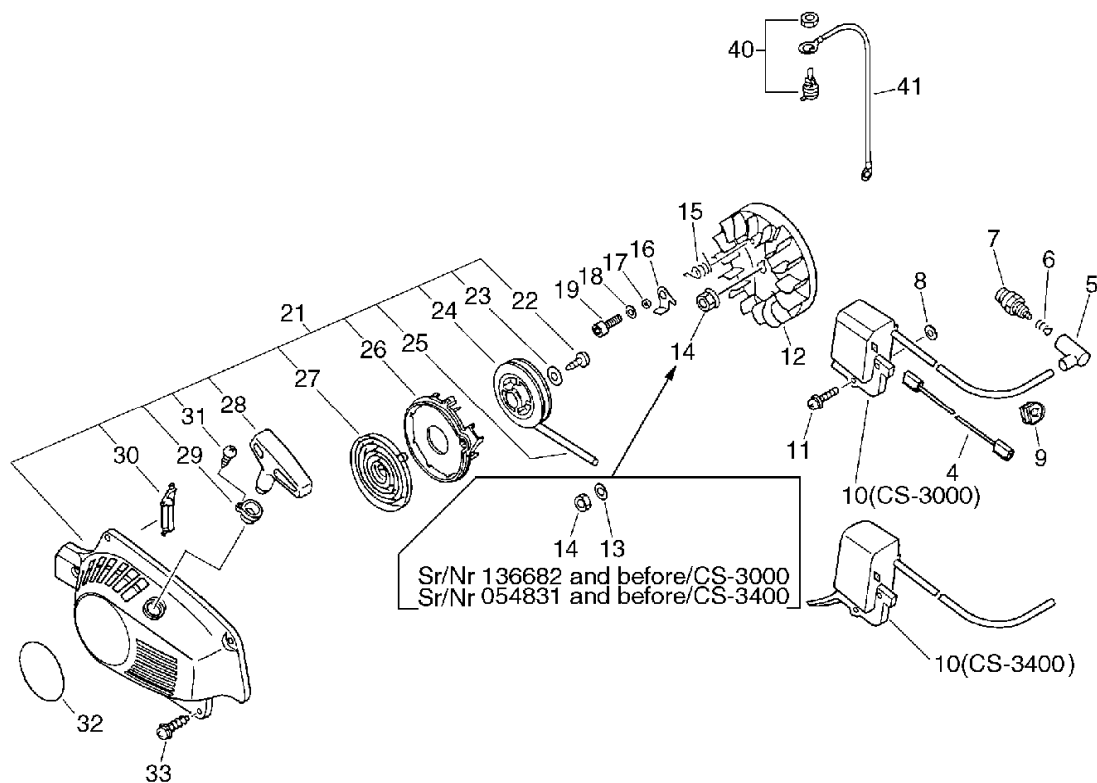
KEY	LV	PART NUMBER	Q'TY	DESCRIPTION	REMARKS	NOTE1	NOTE2
17		130000-39130	1	INSULATOR KIT		Sus. by 130000-39131 /CS-3000	
17		130000-39130	1	INSULATOR KIT		Sus. by P021-000010 /CS-3400	
17		130000-39131	1	INSULATOR KIT		CS-3000	
17		P021-000010	1	INSULATOR KIT		CS-3400	
18		130010-39130	1	GASKET, INTAKE			
19		130012-39130	1	SEAL		Sus. by 130012-39131	
19		130012-39131	1	SEAL			
30		145600-14931	1	MUFFLER ASSY			
31	+	145510-13931	1	GASKET, MUFFLER			
32	+	145858-13931	1	MUFFLER			
33	+	145859-13930	1	SILENCER			
34	+	145606-14931	1	LID, MUFFLER			
35	+	145642-13930	1	WASHER, MUFFLER			
36	+	101023-13930	2	BOLT, MUFFLER			
38	+	900250-04008	1	SCREW 4*8	4*8		

3. Starter, Magneto



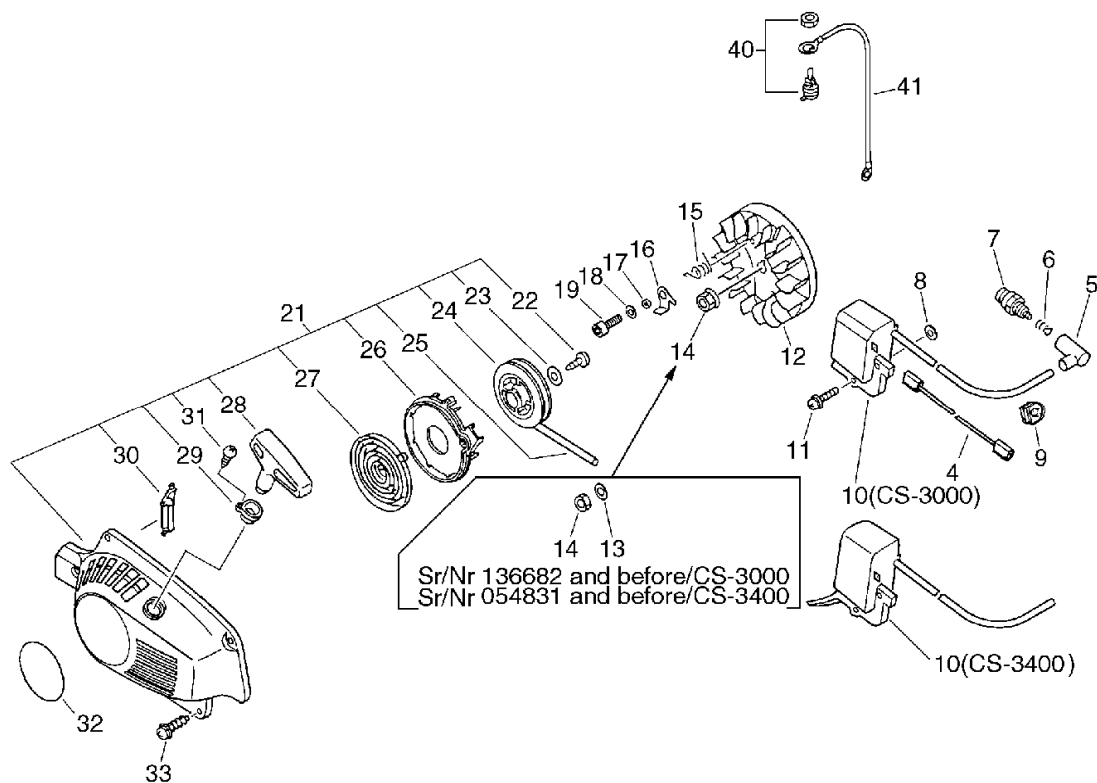
KEY	LV	PART NUMBER	Q'TY	DESCRIPTION	REMARKS	NOTE1	NOTE2
4		162010-39430	1	LEAD		Sus. by 162010-39431	
4		162010-39431	1	LEAD		Sr/Nr 062041 and after/CS-3000	
4		162010-39430	1	LEAD		Sus. by 162010-39431	
4		162010-39431	1	LEAD		Sr/Nr 025154 and after/CS-3400	
5		159012-01620	1	CAP, SPARK PLUG			
6		159011-03432	1	COIL, SPARK PLUG			
7		159010-10230	1	PLUG, SPARK (BPMR-7A)	BPMR-7A		
8		150117-16430	2	SPACER			
9		156110-04920	1	BUSHING			
10		156626-39130	1	COIL, IGNITION		Sr/Nr 062040 and before/CS-3000	
10		156626-39130	1	COIL, IGNITION		Sr/Nr 025153 and before/CS-3400	
10		156626-39430	1	COIL, IGNITION		Sr/Nr 062041 and after/CS-3000	
10		156626-39230	1	COIL, IGNITION		Sus. by A411-000150	

3. Starter, Magneto



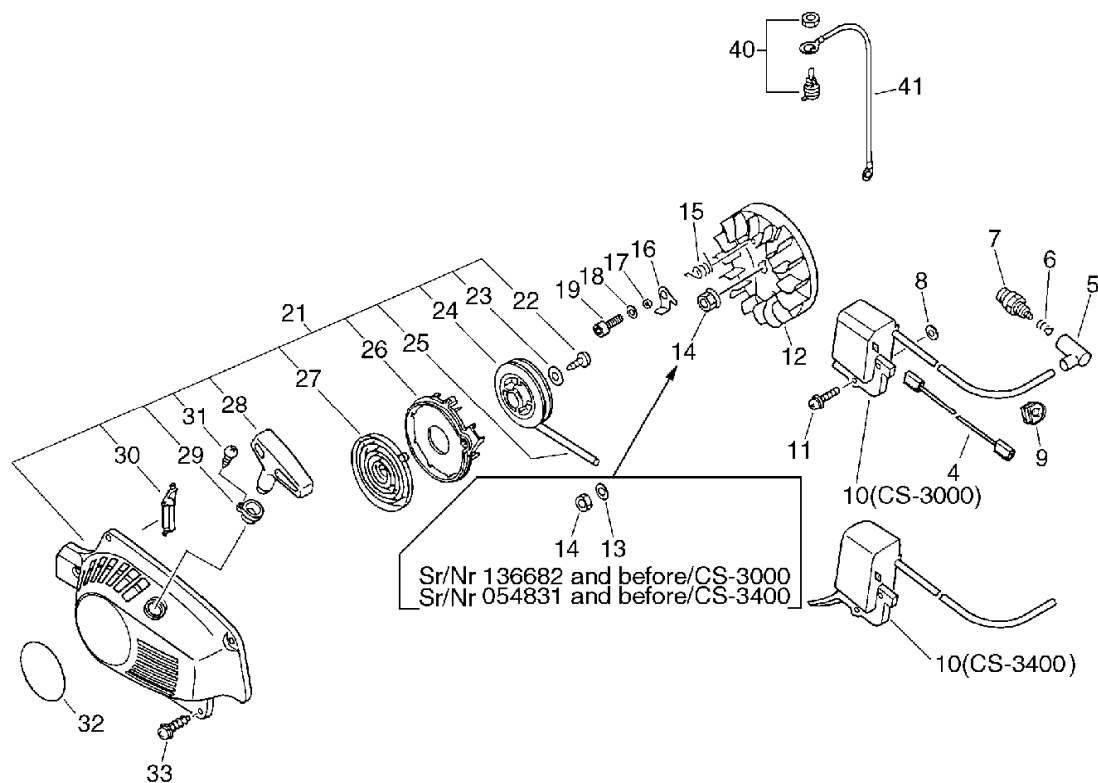
KEY	LV	PART NUMBER	Q'TY	DESCRIPTION	REMARKS	NOTE1	NOTE2
10		A411-000150	1	COIL,IGNITION		Sr/Nr 025154 and after/CS-3400	
10		156626-39230	1	COIL, IGNITION		Sus. by A411-000150	
11		900238-05020	2	SCREW 5*20	5*20	Sr/Nr 062040 and before/CS-3000	
11		900238-05020	2	SCREW 5*20	5*20	Sr/Nr 025153 and before/CS-3400	
11		900238-05022	2	SCREW 5*22	5*22	Sr/Nr 062041 and after/CS-3000	
11		900238-05022	2	SCREW 5*22	5*22	Sr/Nr 025154 and after/CS-3400	
12		156800-35630	1	ROTOR, MAGNETO		Sr/Nr 062040 and before/CS-3000	
12		156800-35630	1	ROTOR, MAGNETO		Sr/Nr 025153 and before/CS-3400	
12		156800-39430	1	ROTOR, MAGNETO		Sus. by 156800-39432	

3. Starter, Magneto



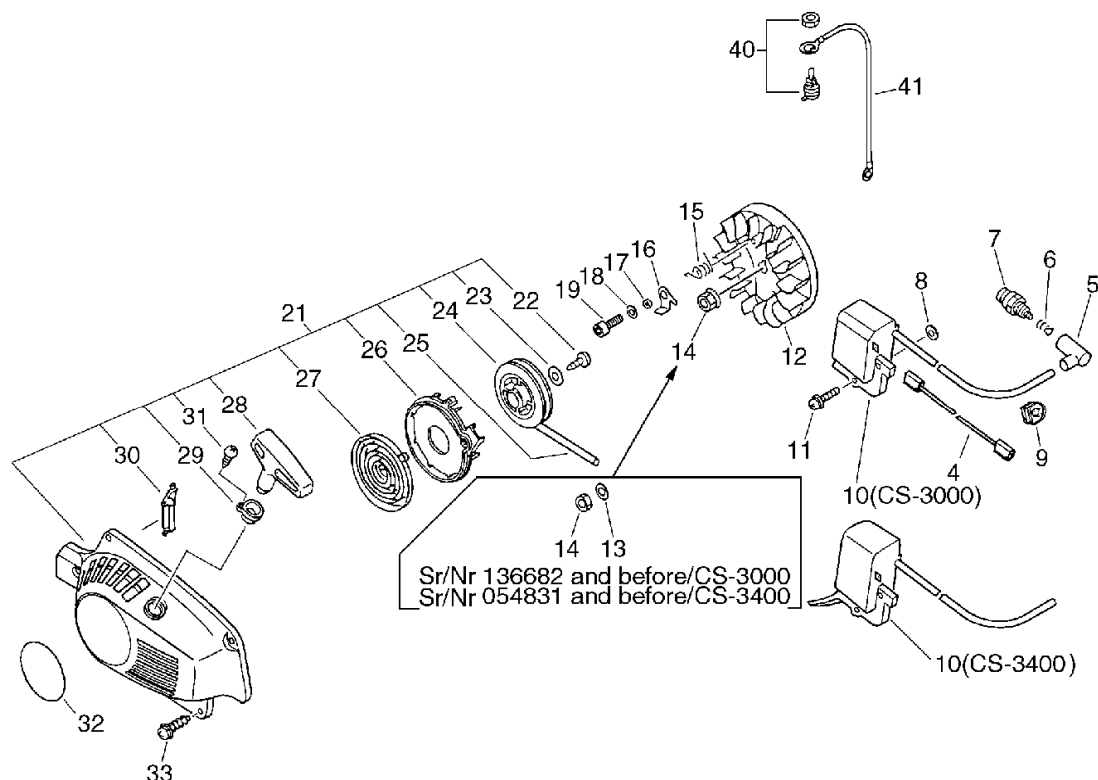
KEY	LV	PART NUMBER	Q'TY	DESCRIPTION	REMARKS	NOTE1	NOTE2
12		156800-39431	1	ROTOR, MAGNETO		Sus. by 156800-39432	
12		156800-39432	1	ROTOR, MAGNETO	EMG-51 ID C7979N	Sr/Nr 062041 and after/CS-3000	
12		156800-39230	1	ROTOR, MAGNETO		Sus. by 156800-39233	
12		156800-39231	1	ROTOR, MAGNETO		Sus. by 156800-39233	
12		156800-39232	1	ROTOR, MAGNETO		Sus. by 156800-39233	
12		156800-39233	1	ROTOR, MAGNETO	EMG-51G C7979G	Sr/Nr 025154 and after/CS-3400	
13		900600-00008	1	WASHER 8	8	Sr/Nr 136682 and before/CS-3000	
13		900600-00008	1	WASHER 8	8	Sr/Nr 054831 and before/CS-3400	
14		900500-00008	1	NUT 8	8*P1.25	Sr/Nr 136682 and before/CS-3000	
14		900500-00008	1	NUT 8	8*P1.25	Sr/Nr 054831 and before/CS-3400	

3. Starter, Magneto



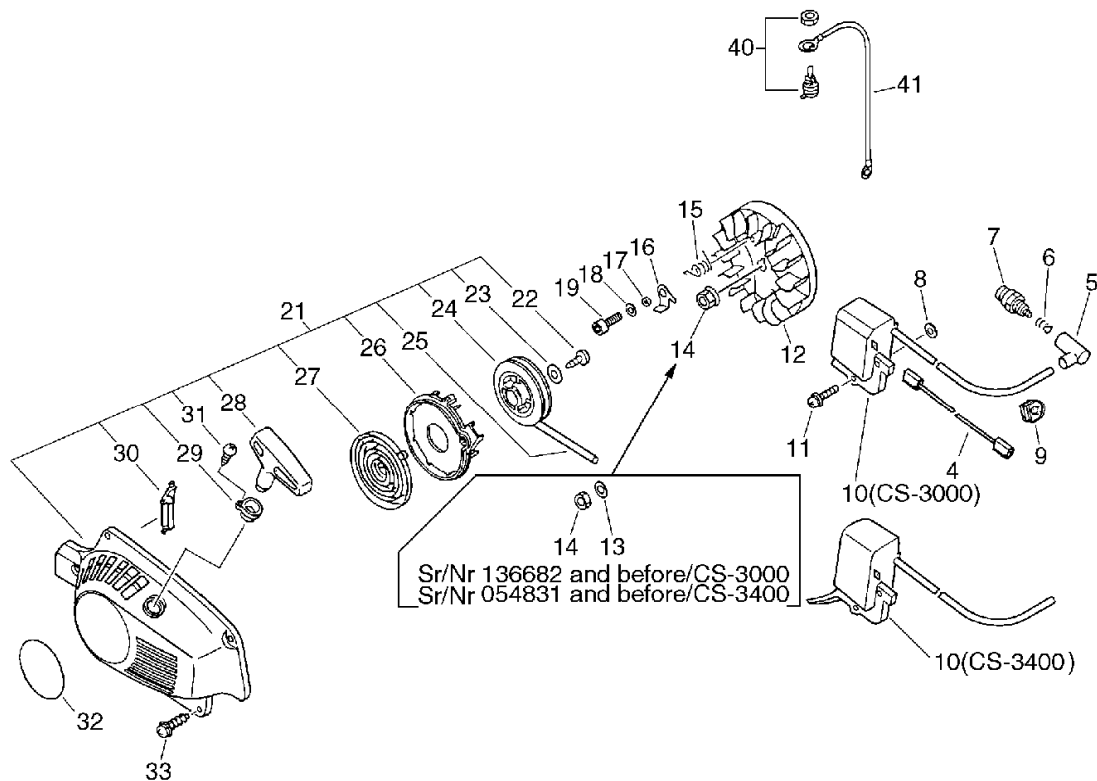
KEY	LV	PART NUMBER	Q'TY	DESCRIPTION	REMARKS	NOTE1	NOTE2
14		900515-00008	1	NUT, FLANGE 8	8	Sr/Nr 136683 and after/CS-3000	
14		900515-00008	1	NUT, FLANGE 8	8	Sr/Nr 054832 and after/CS-3400	
15		177234-35430	2	SPRING, RETURN			
16		177218-35630	2	PAWL, STARTER		Sus. by A514-000000	
16		177218-35631	2	PAWL, STARTER		Sus. by A514-000000	
16		A514-000000	2	PAWL			
17		177247-04630	2	SPACER, RATCHET	5.2*8*2.1		
18		900603-00005	2	WASHER 5	5.5*12*0.8	Sus. by 900603-00005 Q'TY:4	
18		900603-00005	4	WASHER 5	5.5*12*0.8	Sus. by 900603-00005 Q'TY:2	
18		900603-00005	2	WASHER 5	5.5*12*0.8		
19		900216-05012	2	SCREW 5*12	5*12	Sus. by V203-000090 and 900603-00005	
19		900105-05014	2	BOLT, H.S. 5*14	5*14	Sus. by V203-000090 and 900603-00005	

3. Starter, Magneto



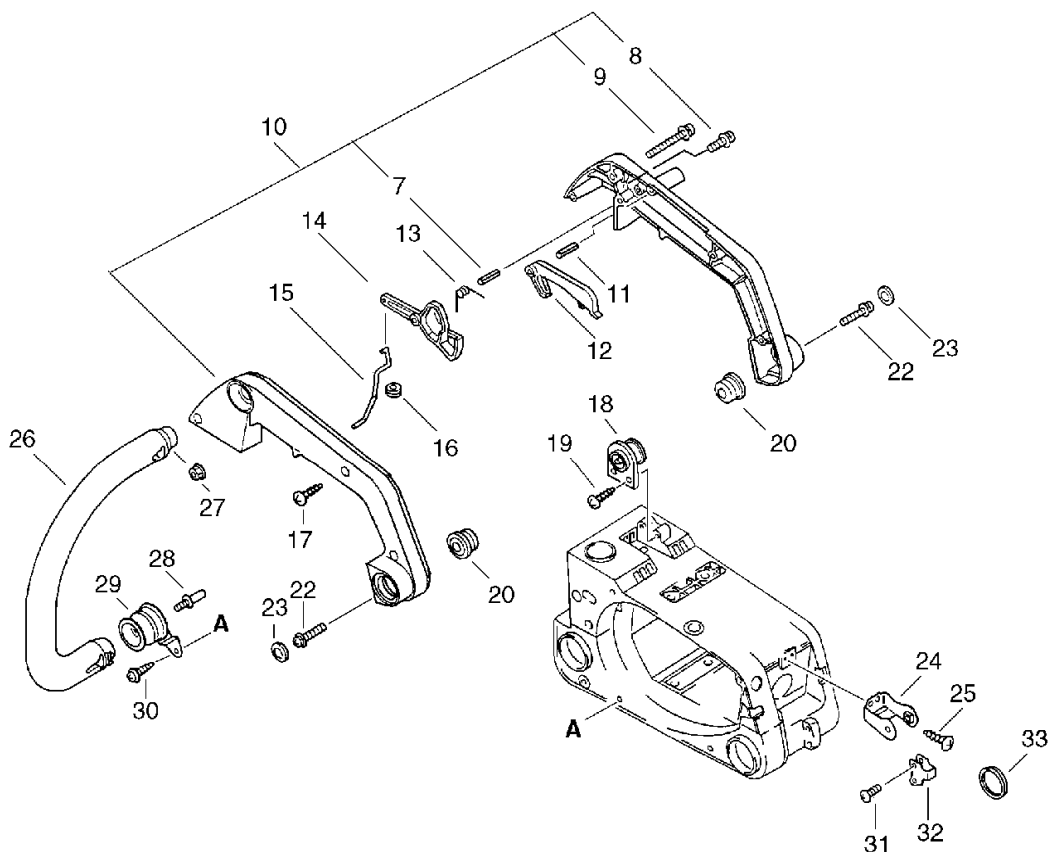
KEY	LV	PART NUMBER	Q'TY	DESCRIPTION	REMARKS	NOTE1	NOTE2
19		V203-000090	2	BOLT,5	M5*14		
21		177200-39430	1	STARTER ASSY		Sus. by 177200-39432	
21		177200-39431	1	STARTER ASSY		Sus. by 177200-39432	
21		177200-39432	1	STARTER ASY			
22	+	900253-04014	1	SCREW 4*14	4*14		
23	+	177214-04630	1	WASHER	4.1*15.5*1T		
24	+	177215-35630	1	DRUM, STARTER		Sus. by 177215-35632	
24	+	177215-35631	1	DRUM, STARTER		Sus. by 177215-35632	
24	+	177215-35632	1	REEL, ROPE			
25	+	177226-06530	1	ROPE, STARTER	3.0*850		
26	+	177221-35631	1	PLATE, STARTER			
27	+	177220-35430	1	SPRING, REWIND			
28	+	177228-35430	1	GRIP, STARTER (BL)			
29	+	177227-39130	1	GUIDE, ROPE (BL)		Sus. by 177227-39131	
29	+	177227-39131	1	GUIDE, ROPE BL			
30	+	177256-39130	1	PLUG			
31	+	900253-03010	1	SCREW 3*10	3*10	Sus. by 900296-03014	
31	+	900296-03014	1	SCREW 3*14	3*14 SUS		
32		890118-49330	1	LABEL, ECHO		Sus. by X502-000410	

3. Starter, Magneto



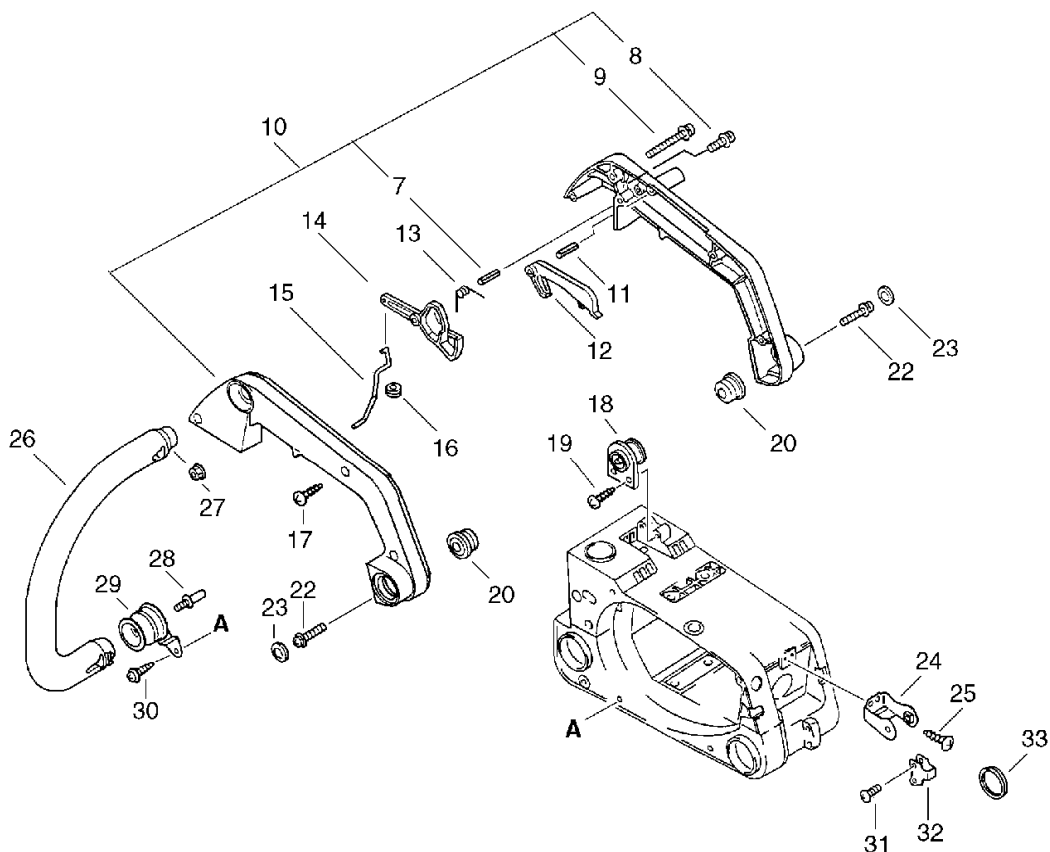
KEY	LV	PART NUMBER	Q'TY	DESCRIPTION	REMARKS	NOTE1	NOTE2
33		900256-04016	4	SCREW 4*16	4*16		
40		163400-39130	1	SWITCH, IGNITION			
41		162010-39130	1	LEAD, GROUND	100L	Sus. by 162010-39131	
41		162010-39131	1	LEAD, GROUD	100L		

4. Handle



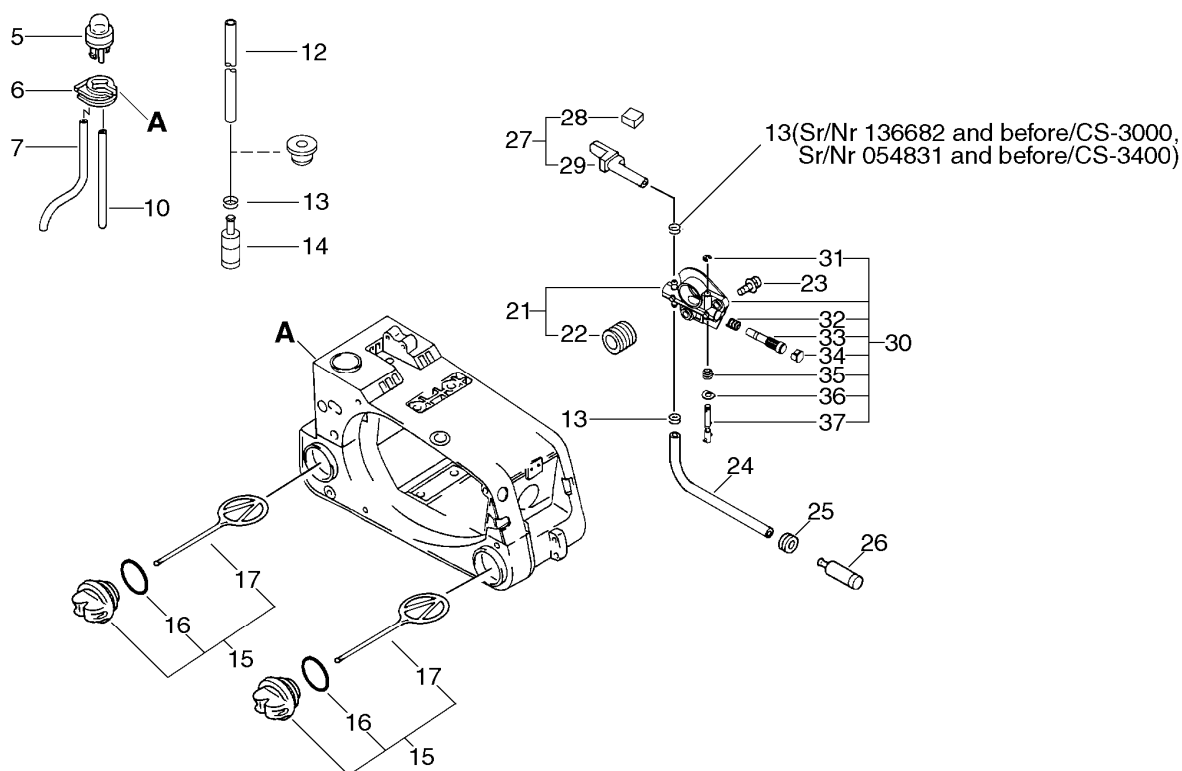
KEY	LV	PART NUMBER	Q'TY	DESCRIPTION	REMARKS	NOTE1	NOTE2
10		351100-39130	1	HANDLE SET, REAR BL		Sus. by 351100-39131	
10		351100-39131	1	HANDLE SET, REAR BL			
7	+	900345-40025	1	PIN, SPRING 4*25SUS	4*25SUS		
8	+	900238-05014	1	SCREW 5*14	5*14		
9	+	900238-05035	1	SCREW 5*35	5*35		
11	+	900345-40020	1	PIN, SPRING 4*20	4*20		
17	+	900256-04016	3	SCREW 4*16	4*16		
12		178090-39130	1	LOCKOUT, THROTTLE			
13		178043-39131	1	SPRING, THR. RETURN			
14		178010-39130	1	CONTROL, THROTTLE		Sus. by 178010-39131	
14		178010-39131	1	CONTROL, THROTTLE			
15		178011-39130	1	ROD, THROTTLE		Sus. by 178011-39131	
15		178011-39131	1	ROD, THROTTLE			
16		178210-39130	1	GROMMET, THROTTLE			
18		100907-39130	1	CUSHION		Sus. by 100907-39131	
18		100907-39131	1	CUSHION			
19		900253-04014	2	SCREW 4*14	4*14		
20		100921-39130	2	CUSHION		Sus. by 100921-39131	
22		900238-04010	2	SCREW 4*10	4*10		
23		100918-15130	2	CAP			
24		351123-39131	1	SUPPORTER			

4. Handle



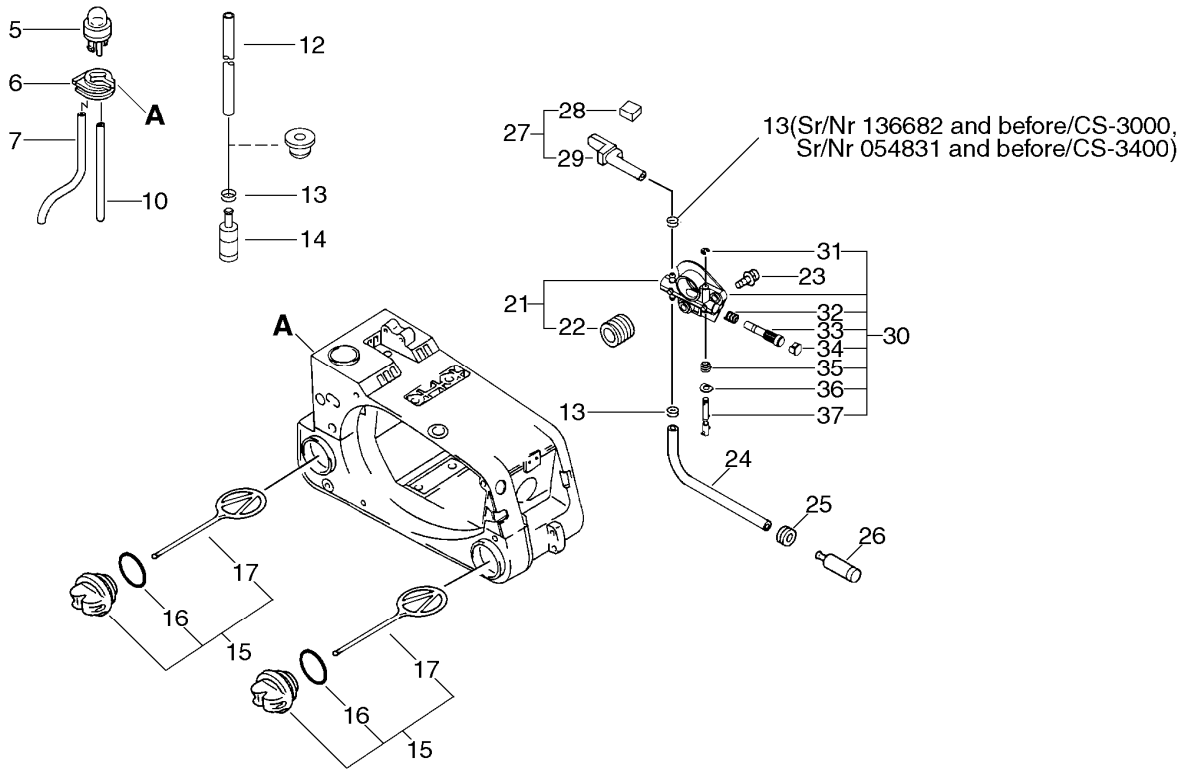
KEY	LV	PART NUMBER	Q'TY	DESCRIPTION	REMARKS	NOTE1	NOTE2
25		900253-04014	2	SCREW 4*14	4*14		
26		351610-39130	1	HANDLE, FRONT			
27		900516-00005	1	NUT, FRANGE 5	5		
28		100915-33930	1	SCREW			
29		100910-35630	1	CUSHION			
30		900256-04016	1	SCREW 4*16	4*16		
31		900238-04016	2	SCREW 4*16	4*16		
32		300314-39130	1	FIXTURE, HARNESS			
33		300318-39130	1	HOOK	22*26.9	Sus. by 301016-52730	
33		300318-39330	1	HOOK	25.4*32	Sus. by 301016-52730	
33		301016-52730	1	RING, HARNESS			

5. Auto-Oiler



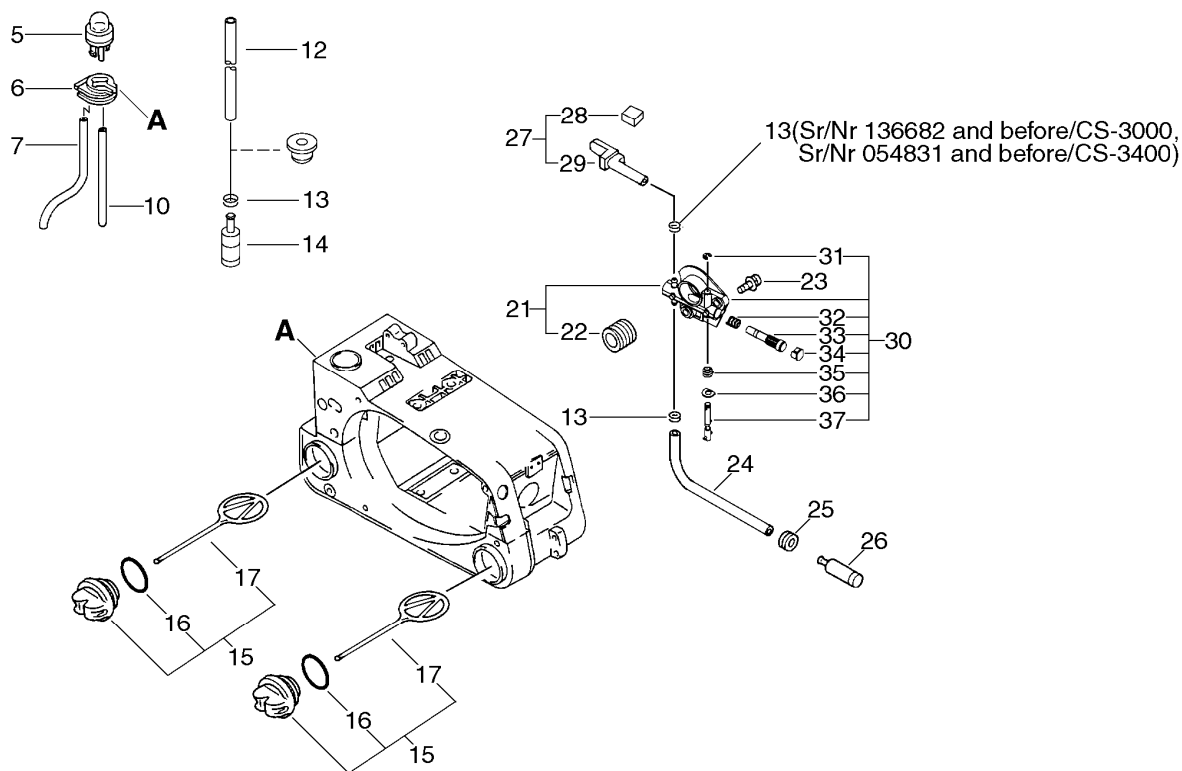
KEY	LV	PART NUMBER	Q'TY	DESCRIPTION	REMARKS	NOTE1	NOTE2
5		123181-39130	1	PUMP, PRIMER			
6		132758-39130	1	BRACKET, PUMP		Sus. by 132758-39131	
6		132758-39131	1	BRACKET, PUMP			
7		132716-39130	1	PIPE 2*4*42	2*4*42		
10		131312-44330	1	PIPE, 3*5*70L	3*5*70L NBR	Sus. by V471-001200	
10		131312-39130	1	PIPE	3*5*70(+3)NBR	Sus. by V471-001200	
10		131312-44330	1	PIPE, 3*5*70L	3*5*70L NBR	Sus. by V471-001200	
10		V471-001200	1	PIPE	3*5*70 NBR		
12		132012-39130	1	PIPE	3*6*80 NBR		
13		132013-26630	3	CLIP	6.5MM	Sr/Nr 136682 and before/CS-3000	
13		132013-26630	3	CLIP	6.5MM	Sr/Nr 054831 and before/CS-3400	
13		132013-26630	2	CLIP	6.5MM	Sr/Nr 136683 and after/CS-3000	
13		132013-26630	2	CLIP	6.5MM	Sr/Nr 054832 and after/CS-3400	
14		131205-14930	1	STRAINER,FUEL			

5. Auto-Oiler



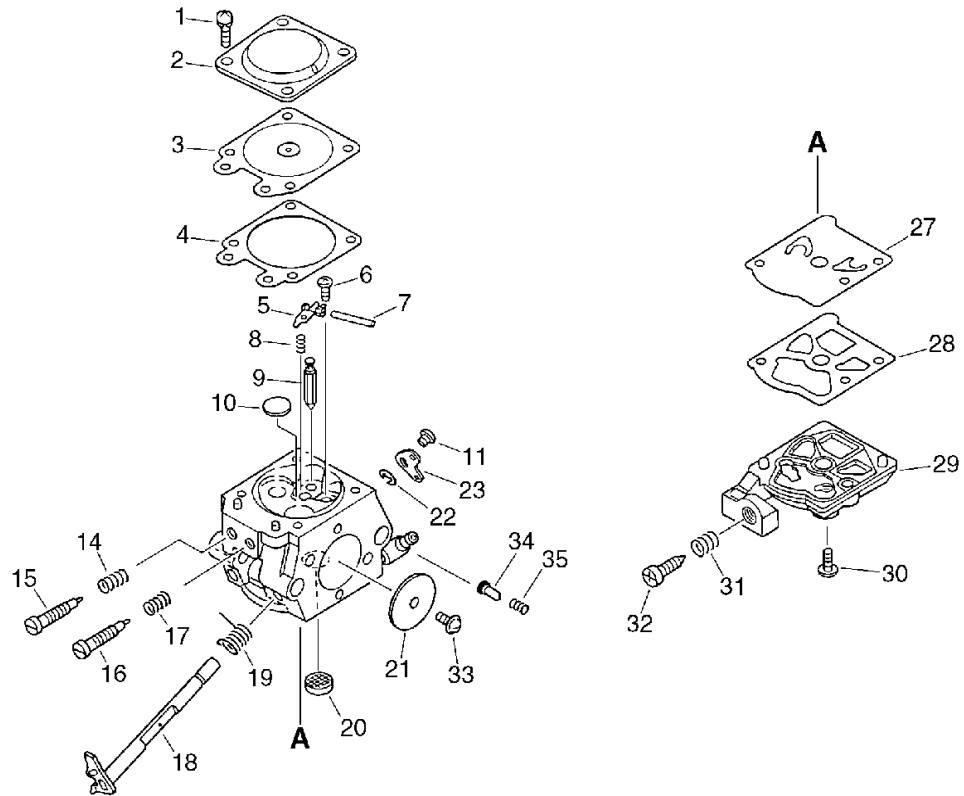
KEY	LV	PART NUMBER	Q'TY	DESCRIPTION	REMARKS	NOTE1	NOTE2
15		436001-39131	2	CAP ASSY, TANK		Sus. by P021-007630	
15		P021-007630	2	CAP ASY, TANK			
16	+	900721-00025	2	O-RING 25	G-25		
17	+	131051-19830	2	LINK	60L	Sus. by A365-000050	
17	+	A365-000050	2	CONNECTOR, CAP			
21		437000-39130	1	AUTO-OILER ASSY			
22	+	437063-38330	1	GEAR, WORM		Sus. By V652000021	
22	+	V652-000020	1	GEAR, WORM		Sus. By V652000021	
22	+	V652-000021	1	GEAR, WORM			
30	+	437002-39130	1	AUTO-OILER ASSY			
31	++	123127-15030	1	RING			
32	++	437019-38330	1	SPRING			
33	++	437024-37330	1	PLUNGER			
34	++	437062-37330	1	CAP, OIL PUMP			
35	++	437015-37330	1	SPRING			
36	++	437029-37330	1	WASHER			
37	++	437016-39130	1	NEEDLE, ADJUST			
23		900235-05012	2	SCREW 5*12	5*12		
24		132012-35430	1	PIPE	3*6*115 NBR	Sus. by V471-000110	
24		V471-000110	1	PIPE	3*6*115		
25		132115-01461	1	GROMMET			

5. Auto-Oiler



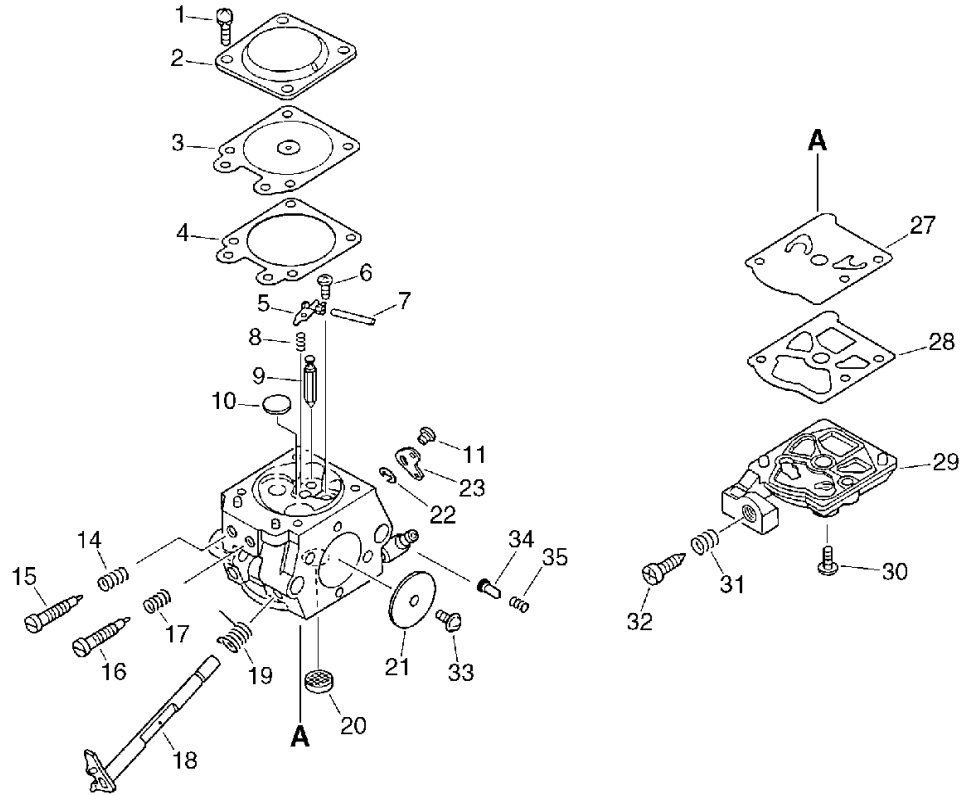
KEY	LV	PART NUMBER	Q'TY	DESCRIPTION	REMARKS	NOTE1	NOTE2
26		436205-02832	1	STRAINER, OIL			
27		437201-39130	1	PIPE KIT, OIL		Sus. by 437201-39131	
27		437201-39131	1	PIPE KIT, OIL			
28	+	437244-39130	1	PAD, FORM			
29	+	437211-39133	1	PIPE			

6. Carburetor(Sr/Nr 3599999 and before/CS-3000,3400)



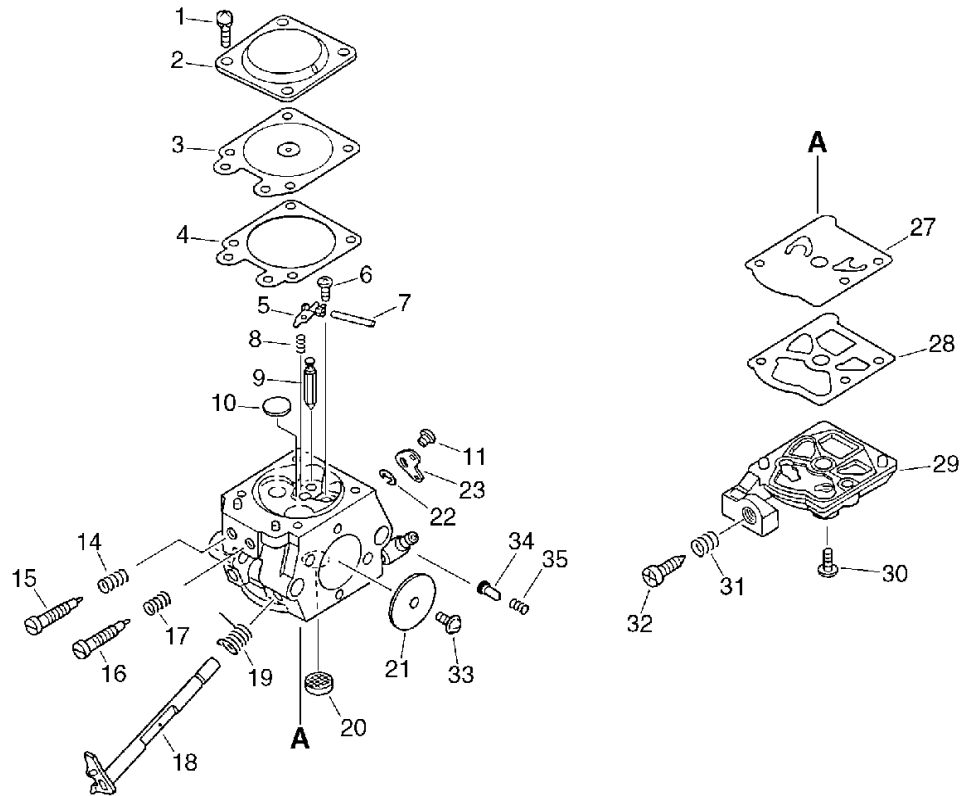
KEY	LV	PART NUMBER	Q'TY	DESCRIPTION	REMARKS	NOTE1	NOTE2
		123000-39130	1	CARBURETOR ASSY	WT-248	Sus. by 123000-60131	
		123000-39230	1	CARBURETOR ASSY	WT-271	Sus. by 123000-60131	
		123000-39430	1	CARBURETOR ASSY	WT-254	Sus. by 123000-60131	
		123000-39530	1	CARBURETOR ASSY	WT-261	Sus. by 123000-60131	
		123001-39631	1	CARBURETOR ASSY	WT-381	Sus. by 123000-60131	
		123000-60130	1	CARBURETOR WT-385	WT-385	Sus. by 123000-60131	
		123000-60131	1	CARBURETOR WT-385A	WT-385A		
1	+	123130-02960	4	SCREW			
2	+	123142-03930	1	COVER, M. DIAPHRAGM			
3	+	123141-03930	1	DIAPHRAGM, METERING			
4	+	123140-27230	1	GASKET, M. DIAPHRAGM			
5	+	123123-03930	1	LEVER, METERING			
6	+	123139-03930	1	SCREW, M. LEVER PIN			
7	+	123138-03930	1	PIN, METERING LEVER			
8	+	123122-06530	1	SPRING, METER. LEVER		Sr/Nr 009025 and before/CS-3000	
8	+	123122-06530	1	SPRING, METER. LEVER		Sr/Nr 007778 and before/CS-3400	

6. Carburetor(Sr/Nr 3599999 and before/CS-3000,3400)



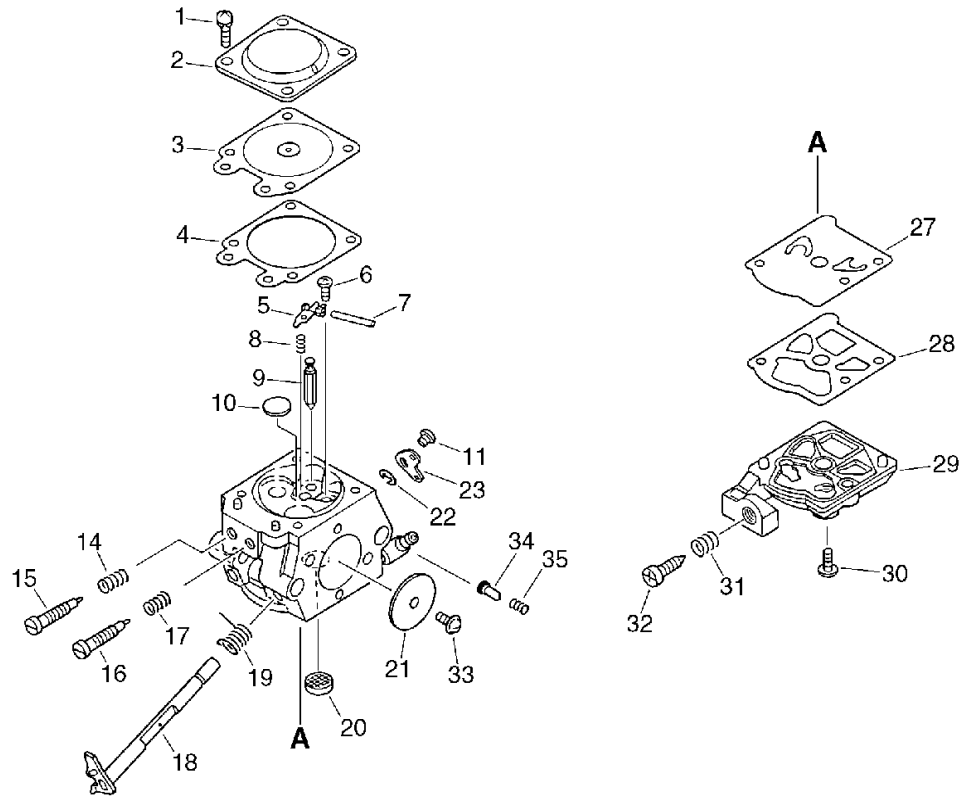
KEY	LV	PART NUMBER	Q'TY	DESCRIPTION	REMARKS	NOTE1	NOTE2
8	+	123122-03930	1	SPRING, METER. LEVER		Sr/Nr 009026 and after/CS-3000	
8	+	123122-03930	1	SPRING, METER. LEVER		Sr/Nr 007779 and after/CS-3400	
9	+	123137-04260	1	VALVE, INLET NEEDLE			
10	+	123146-10631	1	PLUG, WELCH			
11	+	123114-03930	1	SCREW		Sus. by 123114-38830	
11	+	123114-38830	1	SCREW			
14	+	123119-22130	1	SPRING, NEEDLE			
15	+	123120-39530	1	NEEDLE, HIGH SPEED			
16	+	123118-24430	1	NEEDLE, IDLE			
17	+	123121-22130	1	SPRING, NEEDLE			
18	+	123117-37330	1	SHAFT, THROTTLE		Sr/Nr 009025 and before/CS-3000	
18	+	123117-37330	1	SHAFT, THROTTLE		Sr/Nr 007778 and before/CS-3400	
18	+	123117-39630	1	SHAFT, THROTTLE		Sr/Nr 009026 and after/CS-3000	

6. Carburetor(Sr/Nr 3599999 and before/CS-3000,3400)



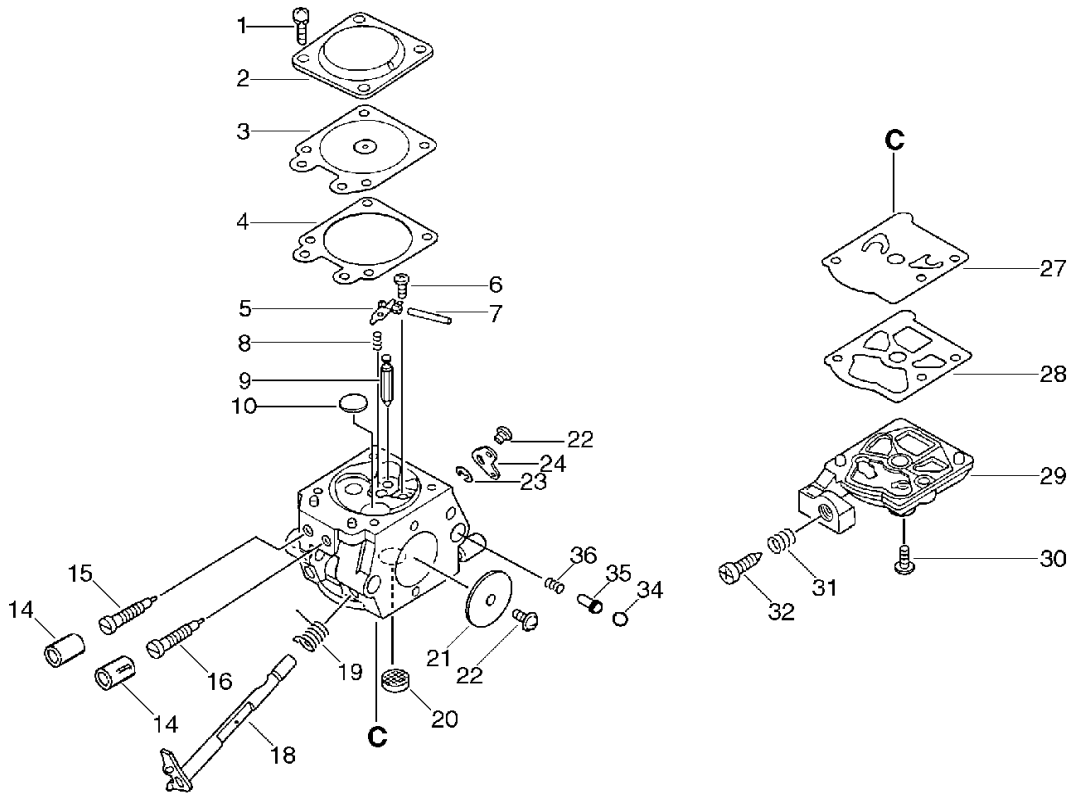
KEY	LV	PART NUMBER	Q'TY	DESCRIPTION	REMARKS	NOTE1	NOTE2
18	+	123117-39630	1	SHAFT, THROTTLE		Sr/Nr 007779 and after/CS-3400	
19	+	123113-47530	1	SPRING, THR. RTN.			
20	+	123126-10631	1	SCREEN, INLET			
21	+	123116-05230	1	VALVE, THROTTLE			
22	+	123127-15030	1	RING			
23	+	123150-15030	1	LEVER, THROTTLE		Sr/Nr 012255 and before/CS-3000	
23	+	123150-15030	1	LEVER, THROTTLE		Sr/Nr 008278 and before/CS-3400	
23	+	123150-39230	1	LEVER, THROTTLE		Sr/Nr 012256 and after/CS-3000	
23	+	123150-39230	1	LEVER, THROTTLE		Sr/Nr 008279 and after/CS-3400	
27	+	123112-15030	1	DIAPHRAGM, FUEL PUMP			
28	+	123125-15030	1	GASKET, FUEL PUMP		Sr/Nr 009025 and before/CS-3000	
28	+	123125-15030	1	GASKET, FUEL PUMP		Sr/Nr 007778 and before/CS-3400	

6. Carburetor(Sr/Nr 3599999 and before/CS-3000,3400)



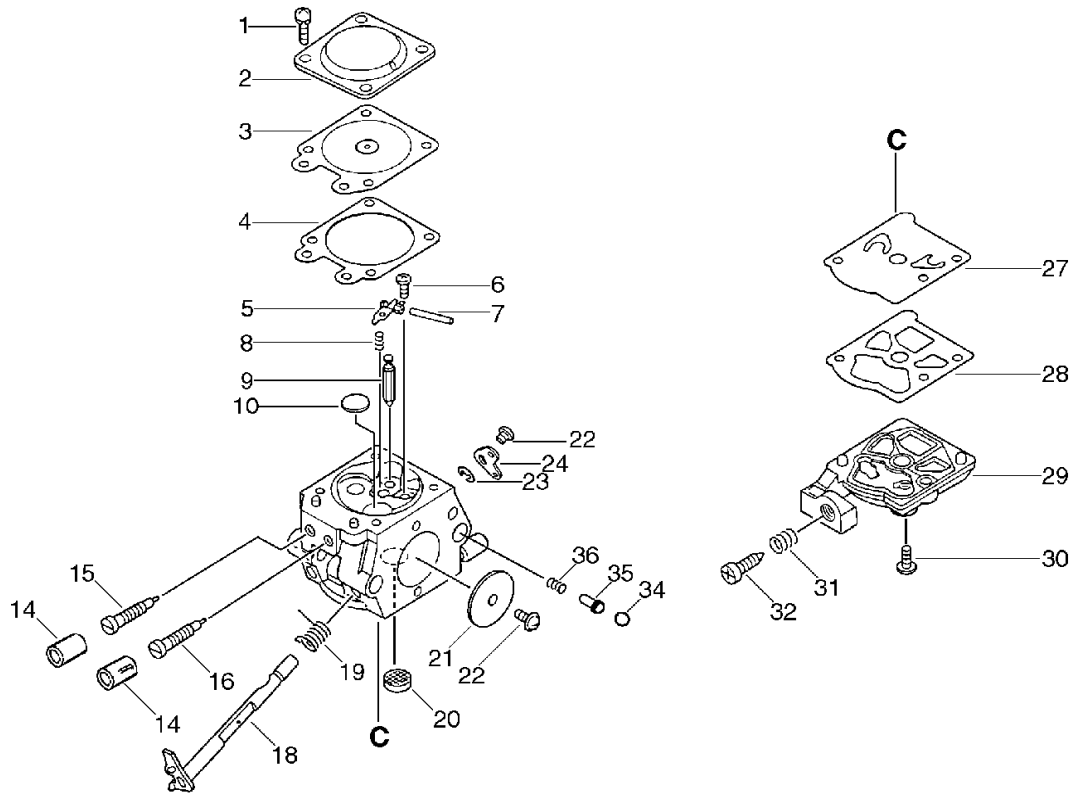
KEY	LV	PART NUMBER	Q'TY	DESCRIPTION	REMARKS	NOTE1	NOTE2
28	+	123125-39630	1	GASKET,FUEL PUMP		Sr/Nr 009026 and after/CS-3000	
28	+	123125-39630	1	GASKET,FUEL PUMP		Sr/Nr 007779 and after/CS-3400	
29	+	123124-09320	1	COVER, FUEL PUMP			
30	+	123110-03930	1	SCREW, PUMP COVER			
31	+	123133-11130	1	SPRING, IDLE ADJUST			
32	+	123134-19730	1	SCREW, IDLE ADJUST			
33	+	123114-38830	1	SCREW			
34	+	123185-39130	1	PISTON ASSY			
35	+	123186-34330	1	SPRING, START VALVE			

7. Carburetor(Sr/Nr 36001001 and after/CS-3000,3400)



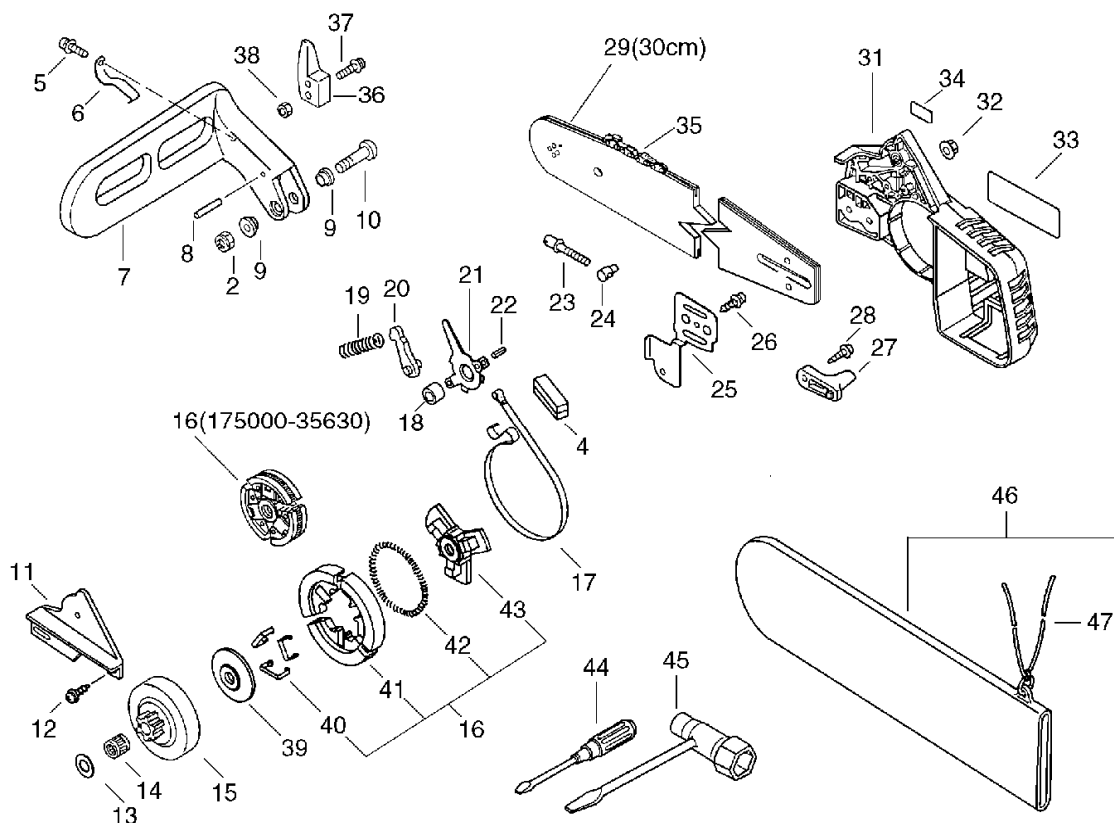
KEY	LV	PART NUMBER	Q'TY	DESCRIPTION	REMARKS	NOTE1	NOTE2
		123001-39133	1	CARBURETOR WT-402B	WT-402B		
1	+	123130-02960	4	SCREW			
2	+	123142-03930	1	COVER, M. DIAPHRAGM			
3	+	123141-03930	1	DIAPHRAGM, METERING			
4	+	123140-27230	1	GASKET, M. DIAPHRAGM			
5	+	123123-03930	1	LEVER, METERING			
6	+	123139-03930	1	SCREW, M. LEVER PIN			
7	+	123138-03930	1	PIN, METERING LEVER			
8	+	123122-03660	1	SPRING, METER. LEVER			
9	+	123137-19830	1	VALVE, INLET NEEDLE			
10	+	123146-10631	1	PLUG, WELCH			
14	+	P003-000010	2	LIMITER CAP			
15	+	123120-39231	1	NEEDLE, HIGH SPEED			
16	+	123118-39231	1	NEEDLE, IDLE			
18	+	123117-39530	1	SHAFT, THROTTLE			
19	+	123113-47530	1	SPRING, THR. RTN.			
20	+	123126-10631	1	SCREEN, INLET			
21	+	123116-05230	1	VALVE, THROTTLE			
22	+	123114-38830	2	SCREW			
23	+	123127-15030	1	RING			
24	+	123150-39230	1	LEVER, THROTTLE			
27	+	123112-15030	1	DIAPHRAGM, FUEL PUMP			
28	+	123125-15030	1	GASKET, FUEL PUMP			
29	+	123124-09320	1	COVER, FUEL PUMP			
30	+	123110-03930	1	SCREW, PUMP COVER			
31	+	123133-11130	1	SPRING, IDLE ADJUST			

7. Carburetor(Sr/Nr 36001001 and after/CS-3000,3400)



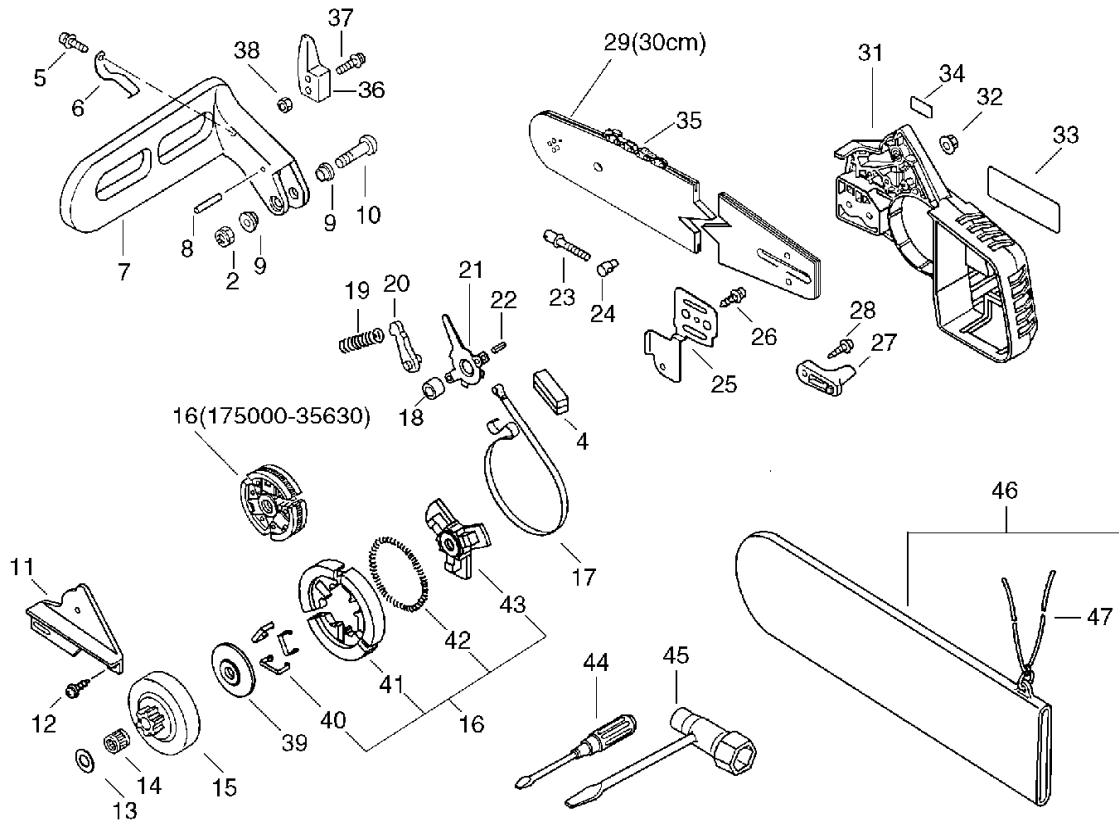
KEY	LV	PART NUMBER	Q'TY	DESCRIPTION	REMARKS	NOTE1	NOTE2
32	+	123134-19730	1	SCREW, IDLE ADJUST			
34	+	123136-09660	1	BALL			
35	+	123185-09660	1	PISTON ASSY			
36	+	123186-09660	1	SPRING, START VALVE			

8. Clutch, Sprocket, Tools



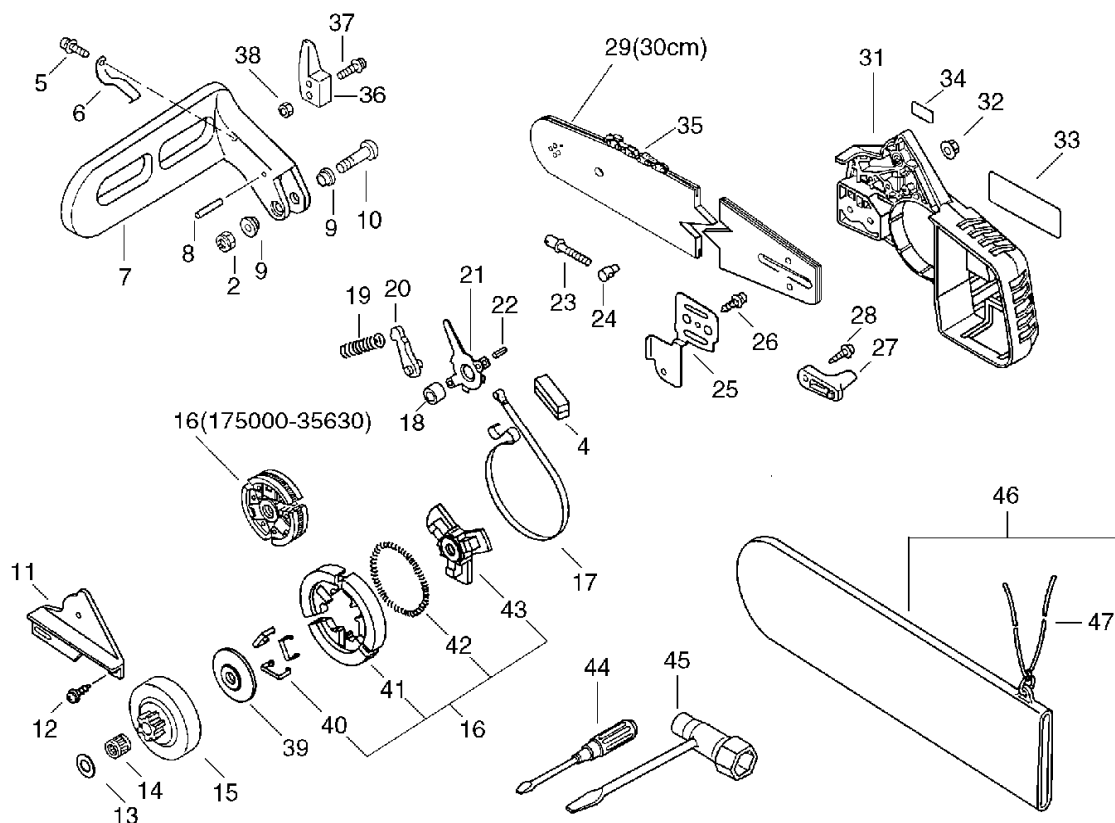
KEY	LV	PART NUMBER	Q'TY	DESCRIPTION	REMARKS	NOTE1	NOTE2
2		900560-00005	1	NUT, LOCK 5	5	Sus. by 900562-50005	
2		900562-50005	1	LOCKNUT 5	5		
4		433312-32630	1	COVER, SEAL			
5		900253-04010	1	SCREW 4*10	4*10		
6		433114-39130	1	SPRING			
7		433111-39630	1	LEVER, BRAKE		Sus. by 433111-39631	
7		433111-39631	1	LEVER, BRAKE			
8		900330-30240	1	PIN 3*24	3*23.8	Can be used on the Key No.7(obslete only)	
8		900330-40238	1	ROLLER 4*23.8	4*23.8	Can be used on the Key No.7(current only)	
9		433167-39130	2	SPACER			
10		900209-05030	1	SCREW, 5*30	5*30	Sus. by 91318-05032	
10		91318-05032	1	SCREW	5*32		
11		433310-39130	1	COVER, BRAKE			
12		900253-04010	3	SCREW 4*10	4*10	Sus. by 900253-04012	
12		900253-04012	3	SCREW	4*12		

8. Clutch, Sprocket, Tools



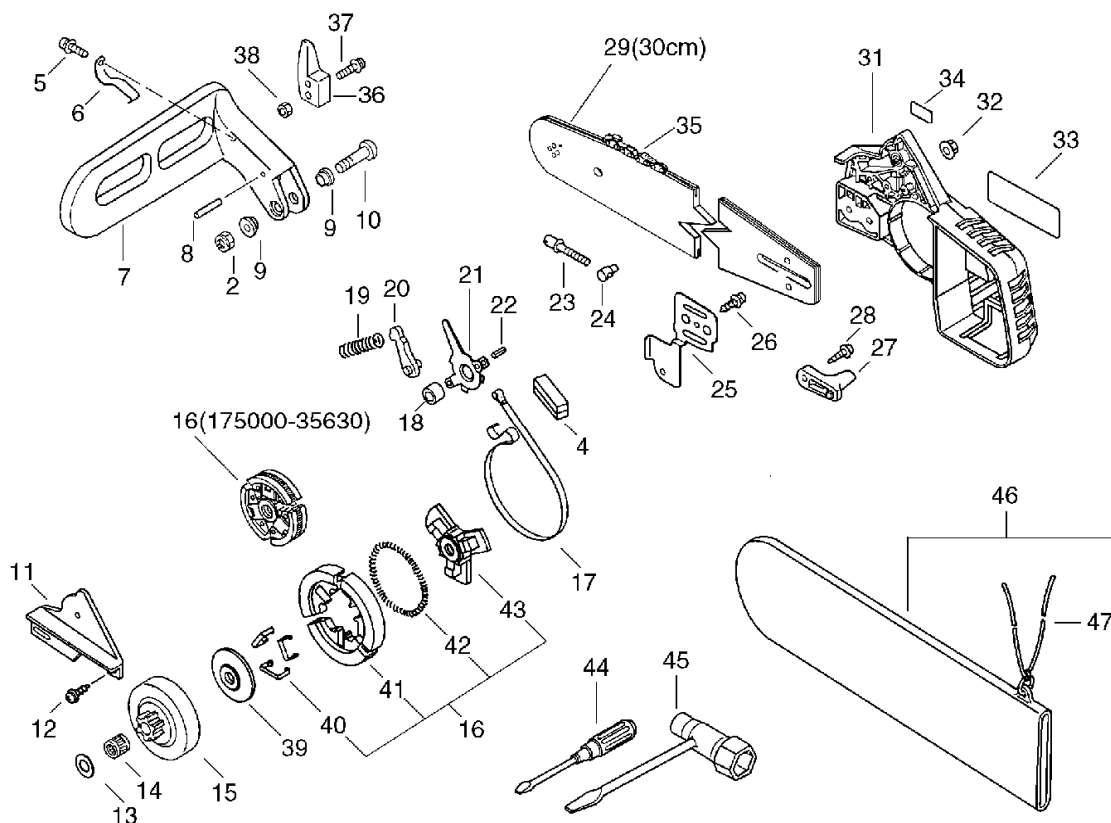
KEY	LV	PART NUMBER	Q'TY	DESCRIPTION	REMARKS	NOTE1	NOTE2
13		175014-39130	1	WASHER, CLUTCH	10.2*25*1.2	Sus. by 175014-39131	
13		175014-39131	1	WASHER, CLUTCH	10.2*24.5*1.2		
14		175012-35630	1	BEARING, NEEDLE	10*13*10		
15		175005-39131	1	DRUM, CLUTCH 3/8		Sus. by 175005-39132	
15		175005-39132	1	DRUM, CLUTCH	3/8A		
16		175000-35630	1	CLUTCH ASSY		Sr/Nr 078532 and before/CS-3000	
16		175000-35630	1	CLUTCH ASSY		Sr/Nr 032943 and before/CS-3400	
16		A056-000010	1	CLUTCH		Sr/Nr 078533 and after/CS-3000	
16		A056-000010	1	CLUTCH		Sr/Nr 032944 and after/CS-3400	
40	+	175022-59530	3	SPRING,FLAT		Sr/Nr 078533 and after/CS-3000	
40	+	175022-59530	3	SPRING,FLAT		Sr/Nr 032944 and after/CS-3400	

8. Clutch, Sprocket, Tools



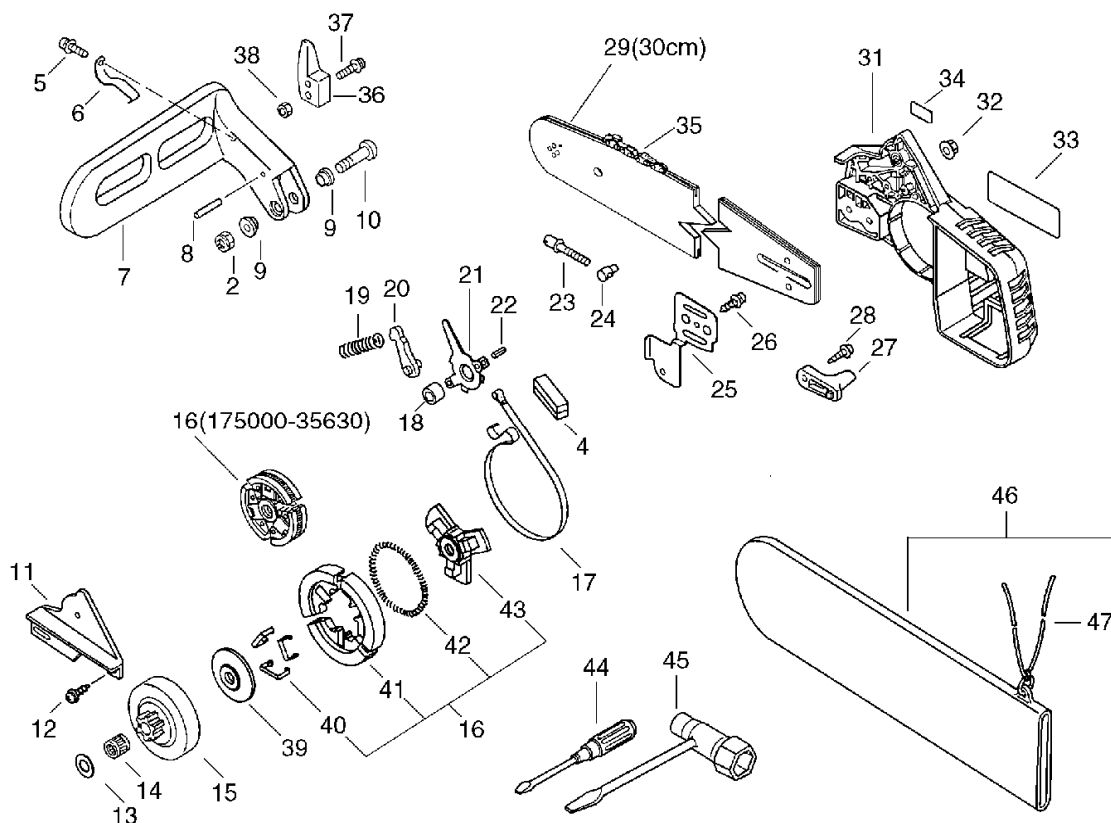
KEY	LV	PART NUMBER	Q'TY	DESCRIPTION	REMARKS	NOTE1	NOTE2
41	+	P021-000270	1	CLUTCH SHOE SET		Sr/Nr 078533 and after/CS-3000	
41	+	P021-000270	1	CLUTCH SHOE SET		Sr/Nr 032944 and after/CS-3400	
42	+	175018-39430	1	SPRING, CLUTCH		Sr/Nr 078533 and after/CS-3000	
42	+	175018-39430	1	SPRING, CLUTCH		Sr/Nr 032944 and after/CS-3400	
43	+	A552-000000	1	HUB,CLUTCH		Sr/Nr 078533 and after/CS-3000	
43	+	A552-000000	1	HUB,CLUTCH		Sr/Nr 032944 and after/CS-3400	
17		433123-39130	1	BAND, BRAKE			
18		433116-35430	1	SPACER 8	8*12*9		
19		433122-35430	1	SPRING, BRAKE			
20		433209-35430	1	STOPPER, BRAKE			
21		433208-35431	1	LEVER, BRAKE			
22		900330-40088	1	ROLLER 4*8.8	4*8.8		
23		433016-39131	1	BOLT			

8. Clutch, Sprocket, Tools



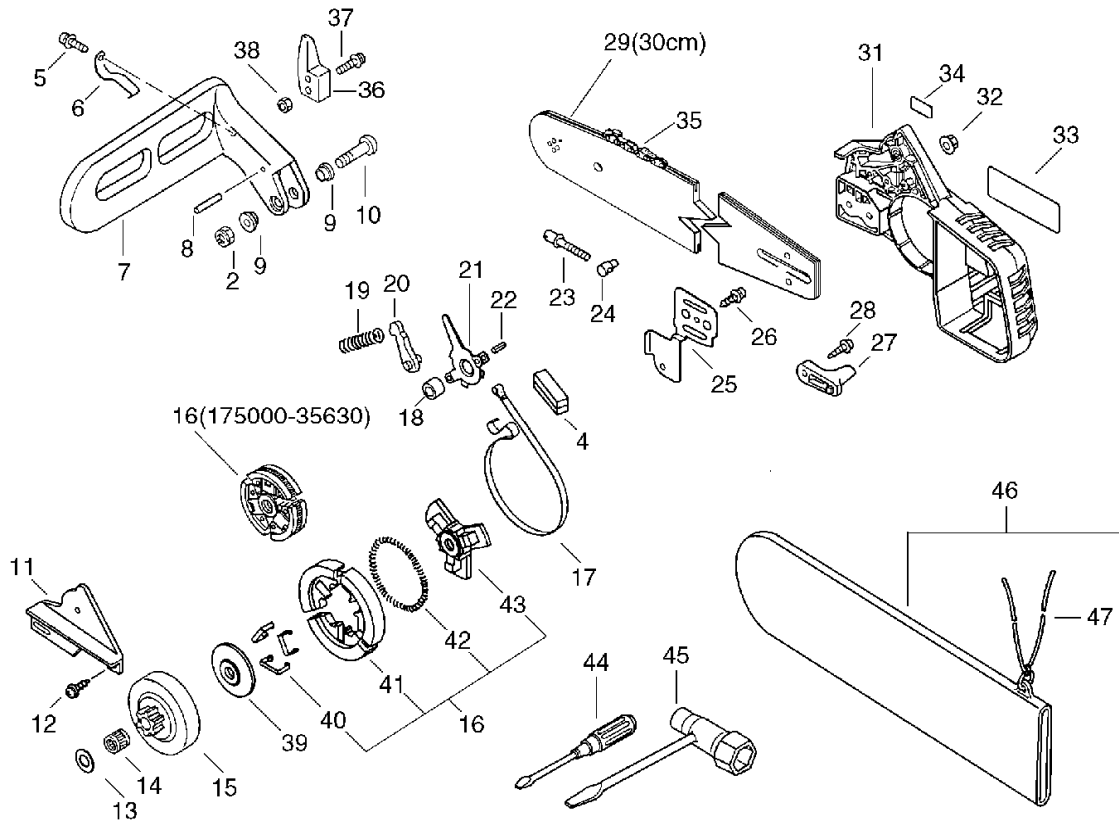
KEY	LV	PART NUMBER	Q'TY	DESCRIPTION	REMARKS	NOTE1	NOTE2
24		433014-03931	1	TENSIONER		Sr/Nr 36003250 and before/CS-3000	
24		433014-03931	1	TENSIONER		Sr/Nr 35001865 and before/CS-3400	
24		C309-000060	1	TENSIONER,CHAIN		Sr/Nr 36003251 to 36006030/CS-3000	
24		C309-000060	1	TENSIONER,CHAIN		Sr/Nr 36001001 to 36003600/CS-3400	
24		433014-03931	1	TENSIONER		Sr/Nr 36006031 and after/CS-3000	
24		433014-03931	1	TENSIONER		Sr/Nr 36003601 and after/CS-3400	
25		433012-39131	1	PLATE, GUIDE			
26		900253-04010	1	SCREW 4*10	4*10		
27		433026-35430	1	CATCHER, CHAIN			
28		900253-05020	1	SCREW 5*20	5*20		
29		430210-36930	1	BAR,GUIDE 30RC50-3/8	30RC50-3/8	Sus. by X122-000071	
29		X122-000070	1	BAR,GUIDE30RC50M-3/8	30RC50M-3/8	Sus. by X122-000071	

8. Clutch, Sprocket, Tools



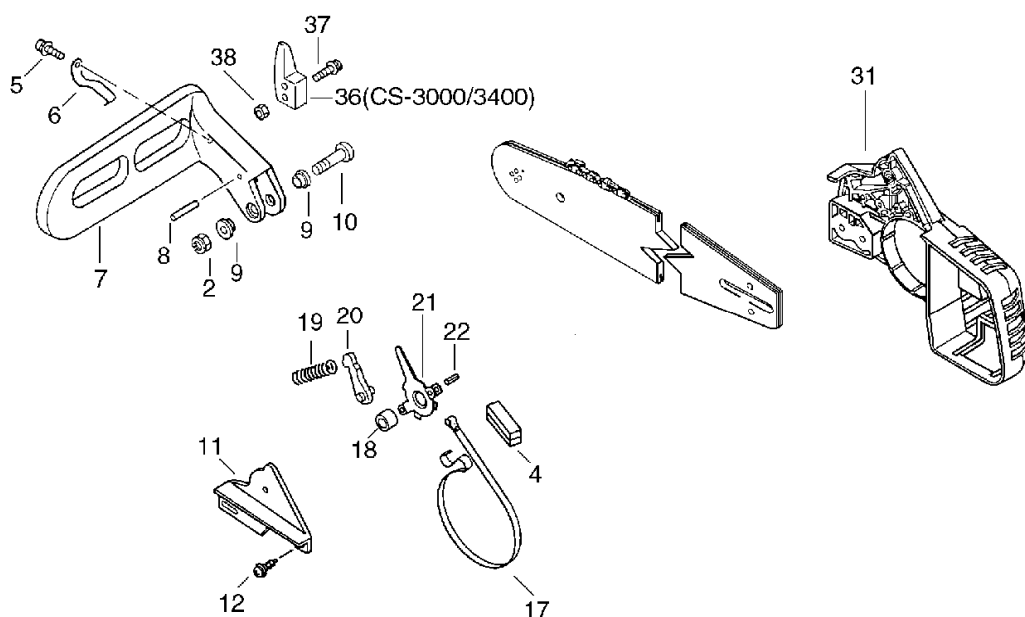
KEY	LV	PART NUMBER	Q'TY	DESCRIPTION	REMARKS	NOTE1	NOTE2
29		X122-000071	1	BAR, GUIDE30RC50M-3/8	30RC50M-3/8 ECHO		
31		433005-39133	1	GUARD, SPROCKET			
32		433019-03933	2	NUT, FLANGE 6	6		
33		890151-39130	1	LABEL, MODEL		CS-3000 Sus. by X502-000340	
33		890151-39430	1	LABEL, MODEL		CS-3400 Sus. by X502-000340	
34		890316-39130	1	LABEL, CAUTION		Sr/Nr 136682 and before/CS-3000	
34		890316-39130	1	LABEL, CAUTION		Sr/Nr 054831 and before/CS-3400	
35		431010-39230	1	CHAIN, SAW 91VG-47E	91VG-47E 30C		
36		433171-39630	1	WEIGHT, BRAKE			
37		900238-04020	2	SCREW 4*20	4*20		
38		900500-00004	2	NUT 4	4		
39		175019-39430	1	PLATE, CLUTCH			
44		895812-03930	1	DRIVER, SCREW 50			
45		895410-03930	1	WRENCH, W/S. DRIVER			
46		898513-14531	1	SCABBARD, GUIDE BAR		Sus. by P021- 006951	

8. Clutch, Sprocket, Tools



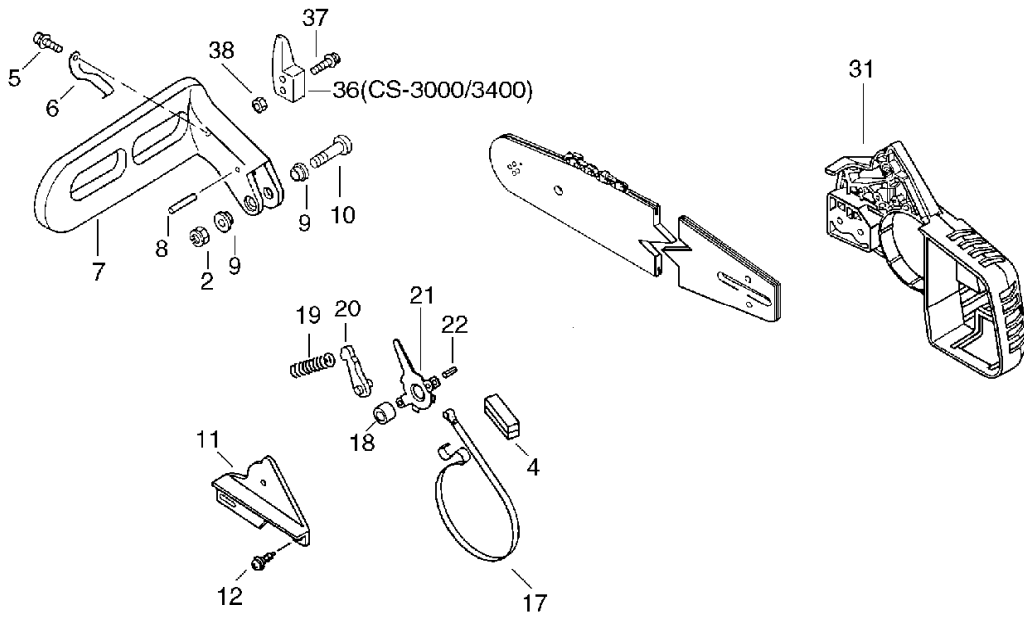
KEY	LV	PART NUMBER	Q'TY	DESCRIPTION	REMARKS	NOTE1	NOTE2
46		P021-004970	1	SCABBARD,CHAIN	加	Sus. by P021-006951	
46		P021-006950	1	SCABBARD,CHAIN	ECHO 加`ツキ	Sus. by P021-006951	
46		P021-006951	1	SCABBARD,CHAIN	(ORANGE)		
47	+	898568-14530	1	ROPE	5*900		

9. Chain Brake Asy



KEY	LV	PART NUMBER	Q'TY	DESCRIPTION	REMARKS	NOTE1	NOTE2
		433100-39630	1	BRAKE ASSY, CHAIN		Sus. by 433100-39631	
		433100-39631	1	BRAKE ASY, CHAIN			
2	+	900560-00005	1	NUT, LOCK 5	5	Sus. by 900562-50005	
2	+	900562-50005	1	LOCKNUT 5	5		
4	+	433312-32630	1	COVER, SEAL			
5	+	900253-04010	1	SCREW 4*10	4*10		
6	+	433114-39130	1	SPRING			
7	+	433111-39631	1	LEVER, BRAKE			
8	+	900330-40238	1	ROLLER 4*23.8	4*23.8		
9	+	433167-39130	2	SPACER			
10	+	900209-05030	1	SCREW, 5*30	5*30	Sus. by 91318-05032	
10	+	91318-05032	1	SCREW	5*32		
11	+	433310-39130	1	COVER, BRAKE			
12	+	900253-04010	3	SCREW 4*10	4*10	Sus. by 900253-04012	
12	+	900253-04012	3	SCREW	4*12		
17	+	433123-39130	1	BAND, BRAKE			
18	+	433116-35430	1	SPACER 8	8*12*9		
19	+	433122-35430	1	SPRING, BRAKE			
20	+	433209-35430	1	STOPPER, BRAKE			
21	+	433208-35431	1	LEVER, BRAKE			
22	+	900330-40088	1	ROLLER 4*8.8	4*8.8		
31	+	433005-39133	1	GUARD, SPROCKET			

9. Chain Brake Asy



KEY	LV	PART NUMBER	Q'TY	DESCRIPTION	REMARKS	NOTE1	NOTE2
36	+	433171-39630	1	WEIGHT, BRAKE			
37	+	900238-04020	2	SCREW 4*20	4*20		
38	+	900500-00004	2	NUT 4	4		

Index

Patrs Number	Key No.	Patrs Number	Key No.	Patrs Number	Key No.
100000-39130	1 - 12	123001-39133	7 -	123134-19730	6 - 32
100000-39230	1 - 12	123001-39631	2 - 14	123134-19730	7 - 32
100000-39530	1 - 12	123001-39631	6 -	123136-09660	7 - 34
100011-13330	1 - 16	123110-03930	6 - 30	123137-04260	6 - 9
100011-46430	1 - 16	123110-03930	7 - 30	123137-19830	7 - 9
100013-15330	1 - 15	123112-15030	6 - 27	123138-03930	6 - 7
100014-11520	1 - 13	123112-15030	7 - 27	123138-03930	7 - 7
100015-04630	1 - 14	123113-47530	6 - 19	123139-03930	6 - 6
100101-39130	1 - 7	123113-47530	7 - 19	123139-03930	7 - 6
100101-39130	1 - 7	123114-03930	6 - 11	123140-27230	6 - 4
100142-39130	1 - 11	123114-38830	6 - 11	123140-27230	7 - 4
100142-42030	1 - 11	123114-38830	6 - 33	123141-03930	6 - 3
100202-39130	1 - 5	123114-38830	7 - 22	123141-03930	7 - 3
100202-39131	1 - 5	123116-05230	6 - 21	123142-03930	6 - 2
100202-39431	1 - 5	123116-05230	7 - 21	123142-03930	7 - 2
100202-39530	1 - 5	123117-37330	6 - 18	123146-10631	6 - 10
100202-70030	1 - 5	123117-37330	6 - 18	123146-10631	7 - 10
100202-70031	1 - 5	123117-39530	7 - 18	123150-15030	6 - 23
100213-38330	1 - 9	123117-39630	6 - 18	123150-15030	6 - 23
100213-38330	1 - 9	123117-39630	6 - 18	123150-39230	6 - 23
100907-39130	4 - 18	123118-24430	6 - 16	123150-39230	6 - 23
100907-39131	4 - 18	123118-39231	7 - 16	123150-39230	7 - 24
100910-35630	4 - 29	123119-22130	6 - 14	123181-39130	5 - 5
100915-33930	4 - 28	123120-39231	7 - 15	123185-09660	7 - 35
100918-15130	4 - 23	123120-39530	6 - 15	123185-39130	6 - 34
100921-39130	4 - 20	123121-22130	6 - 17	123186-09660	7 - 36
101023-13930	2 - 36	123122-03660	7 - 8	123186-34330	6 - 35
104000-39131	1 - 23	123122-03930	6 - 8	129010-39130	1 - 18
104000-39132	1 - 23	123122-03930	6 - 8	129010-39131	1 - 18
104000-39133	1 - 23	123122-06530	6 - 8	129011-39130	2 - 10
104029-39130	1 - 21	123122-06530	6 - 8	129023-39130	1 - 17
104034-39130	1 - 30	123123-03930	6 - 5	129023-39131	1 - 17
104044-39130	1 - 24	123123-03930	7 - 5	130000-39130	2 - 17
104215-39131	1 - 29	123124-09320	6 - 29	130000-39130	2 - 17
123000-39130	2 - 14	123124-09320	7 - 29	130000-39131	2 - 17
123000-39130	6 -	123125-15030	6 - 28	130010-39130	2 - 18
123000-39230	2 - 14	123125-15030	6 - 28	130012-39130	2 - 19
123000-39230	6 -	123125-15030	7 - 28	130012-39131	2 - 19
123000-39430	2 - 14	123125-39630	6 - 28	130016-39130	2 - 15
123000-39430	6 -	123125-39630	6 - 28	130302-39132	2 - 5
123000-39530	2 - 14	123126-10631	6 - 20	130302-39133	2 - 5
123000-39530	6 -	123126-10631	7 - 20	130302-39134	2 - 5
123000-60130	2 - 14	123127-15030	5 - 31	130302-39135	2 - 5
123000-60130	6 -	123127-15030	6 - 22	130302-39136	2 - 5
123000-60131	2 - 14	123127-15030	7 - 23	130310-39131	2 - 8
123000-60131	2 - 14	123130-02960	6 - 1	130310-39132	2 - 8
123000-60131	6 -	123130-02960	7 - 1	130336-39530	1 - 35
123001-39133	2 - 14	123133-11130	6 - 31	130406-13932	2 - 6
123001-39133	2 - 14	123133-11130	7 - 31	130406-13933	2 - 6

Index

Patrs Number	Key No.	Patrs Number	Key No.	Patrs Number	Key No.
131051-19830	5 - 17	162010-39430	3 - 4	300314-39130	4 - 32
131205-14930	5 - 14	162010-39431	3 - 4	300318-39130	4 - 33
131300-40630	1 - 31	162010-39431	3 - 4	300318-39330	4 - 33
131300-56430	1 - 31	163400-39130	3 - 40	301016-52730	4 - 33
131312-39130	5 - 10	163911-39130	1 - 27	351100-39130	4 - 10
131312-44330	5 - 10	175000-35630	8 - 16	351100-39131	4 - 10
131312-44330	5 - 10	175000-35630	8 - 16	351123-39131	4 - 24
131328-39130	1 - 32	175005-39131	8 - 15	351610-39130	4 - 26
132010-04920	1 - 33	175005-39132	8 - 15	430210-36930	8 - 29
132010-39230	1 - 33	175012-03930	1 - 10	431010-39230	8 - 35
132012-35430	5 - 24	175012-35630	8 - 14	433005-39133	8 - 31
132012-39130	5 - 12	175014-39130	8 - 13	433005-39133	9 - 31
132013-26630	5 - 13	175014-39131	8 - 13	433011-03931	1 - 26
132013-26630	5 - 13	175018-39430	8 - 42	433012-39131	8 - 25
132013-26630	5 - 13	175018-39430	8 - 42	433014-03931	8 - 24
132013-26630	5 - 13	175019-39430	8 - 39	433014-03931	8 - 24
132115-01461	5 - 25	175022-59530	8 - 40	433014-03931	8 - 24
132115-39130	1 - 34	175022-59530	8 - 40	433014-03931	8 - 24
132716-39130	5 - 7	177200-39430	3 - 21	433016-39131	8 - 23
132758-39130	5 - 6	177200-39431	3 - 21	433019-03933	8 - 32
132758-39131	5 - 6	177200-39432	3 - 21	433026-35430	8 - 27
145510-13931	2 - 31	177214-04630	3 - 23	433100-39630	9 -
145600-14931	2 - 30	177215-35630	3 - 24	433100-39631	9 -
145606-14931	2 - 34	177215-35631	3 - 24	433111-39630	8 - 7
145642-13930	2 - 35	177215-35632	3 - 24	433111-39631	8 - 7
145858-13931	2 - 32	177218-35630	3 - 16	433111-39631	9 - 7
145859-13930	2 - 33	177218-35631	3 - 16	433114-39130	8 - 6
150117-16430	3 - 8	177220-35430	3 - 27	433114-39130	9 - 6
156110-04920	3 - 9	177221-35631	3 - 26	433116-35430	8 - 18
156626-39130	3 - 10	177226-06530	3 - 25	433116-35430	9 - 18
156626-39130	3 - 10	177227-39130	3 - 29	433122-35430	8 - 19
156626-39230	3 - 10	177227-39131	3 - 29	433122-35430	9 - 19
156626-39230	3 - 10	177228-35430	3 - 28	433123-39130	8 - 17
156626-39430	3 - 10	177234-35430	3 - 15	433123-39130	9 - 17
156800-35630	3 - 12	177247-04630	3 - 17	433167-39130	8 - 9
156800-35630	3 - 12	177256-39130	3 - 30	433167-39130	9 - 9
156800-39230	3 - 12	178010-39130	4 - 14	433171-39630	8 - 36
156800-39231	3 - 12	178010-39131	4 - 14	433171-39630	9 - 36
156800-39232	3 - 12	178011-39130	4 - 15	433208-35431	8 - 21
156800-39233	3 - 12	178011-39131	4 - 15	433208-35431	9 - 21
156800-39430	3 - 12	178043-39131	4 - 13	433209-35430	8 - 20
156800-39431	3 - 12	178090-39130	4 - 12	433209-35430	9 - 20
156800-39432	3 - 12	178210-39130	4 - 16	433310-39130	8 - 11
159010-10230	3 - 7	178510-39130	2 - 11	433310-39130	9 - 11
159011-03432	3 - 6	178515-15031	2 - 12	433312-32630	8 - 4
159012-01620	3 - 5	178515-39130	2 - 12	433312-32630	9 - 4
162010-39130	3 - 41	178516-03930	2 - 13	436001-39131	5 - 15
162010-39131	3 - 41	178810-03330	1 - 19	436114-13930	1 - 36
162010-39430	3 - 4	178810-39630	1 - 22	436205-02832	5 - 26

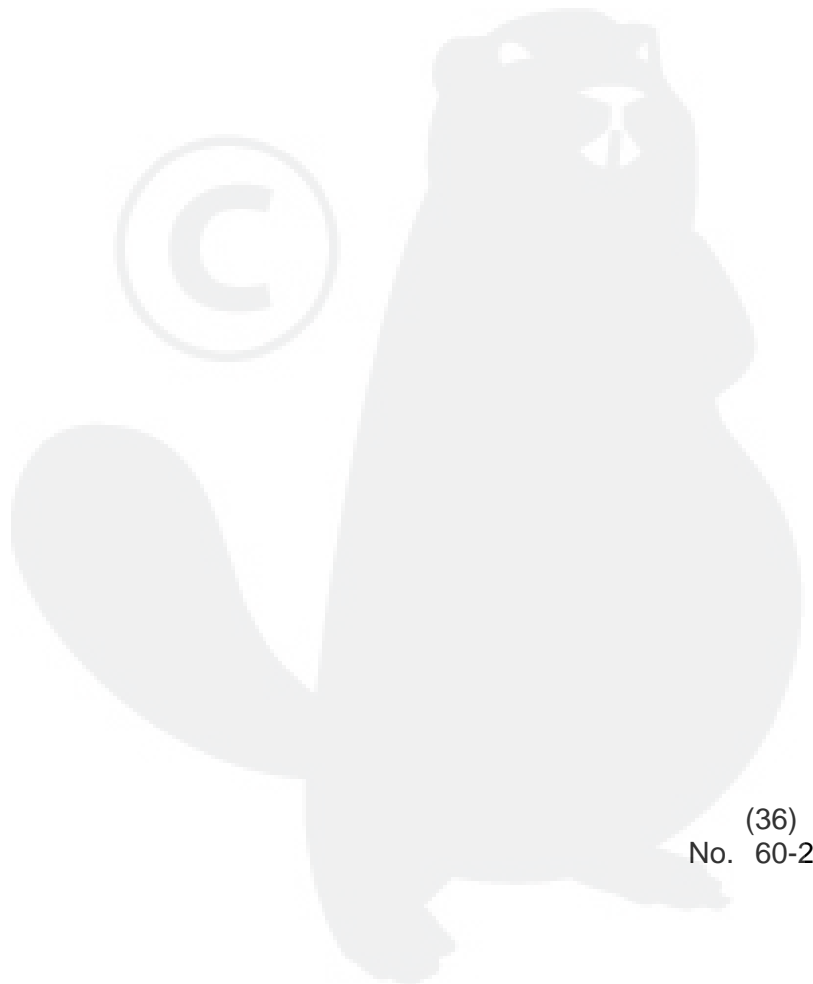
Index

Patrs Number	Key No.	Patrs Number	Key No.	Patrs Number	Key No.
437000-39130	5 - 21	900253-04010	8 - 12	A552-000000	8 - 43
437002-39130	5 - 30	900253-04010	8 - 26	A552-000000	8 - 43
437015-37330	5 - 35	900253-04010	9 - 5	C309-000060	8 - 24
437016-39130	5 - 37	900253-04010	9 - 12	C309-000060	8 - 24
437019-38330	5 - 32	900253-04012	8 - 12	P003-000010	7 - 14
437024-37330	5 - 33	900253-04012	9 - 12	P021-000010	2 - 17
437029-37330	5 - 36	900253-04014	3 - 22	P021-000270	8 - 41
437062-37330	5 - 34	900253-04014	4 - 19	P021-000270	8 - 41
437063-38330	1 - 4	900253-04014	4 - 25	P021-004970	8 - 46
437063-38330	5 - 22	900253-05020	8 - 28	P021-006950	8 - 46
437201-39130	5 - 27	900256-04016	1 - 25	P021-006951	8 - 46
437201-39131	5 - 27	900256-04016	3 - 33	P021-007231	1 - 7
437211-39133	5 - 29	900256-04016	4 - 17	P021-007232	1 - 7
437244-39130	5 - 28	900256-04016	4 - 30	P021-007232	1 - 7
890118-49330	3 - 32	900296-03014	3 - 31	P021-007630	5 - 15
890151-39130	8 - 33	900330-30240	8 - 8	V203-000090	3 - 19
890151-39430	8 - 33	900330-40088	8 - 22	V471-000110	5 - 24
890316-39130	8 - 34	900330-40088	9 - 22	V471-001200	5 - 10
890316-39130	8 - 34	900330-40238	8 - 8	V505-000010	1 - 9
890320-39133	1 - 38	900330-40238	9 - 8	V505-000010	1 - 9
890320-39233	1 - 38	900345-40020	4 - 11	V652-000020	1 - 4
890631-38230	1 - 39	900345-40025	4 - 7	V652-000020	5 - 22
895410-03930	8 - 45	900500-00004	8 - 38	V652-000021	1 - 4
895812-03930	8 - 44	900500-00004	9 - 38	V652-000021	5 - 22
898513-14531	8 - 46	900500-00008	3 - 14	X122-000070	8 - 29
898568-14530	8 - 47	900500-00008	3 - 14	X122-000071	8 - 29
900105-05014	3 - 19	900515-00008	3 - 14	X524-000931	1 - 38
900106-05016	1 - 20	900515-00008	3 - 14	X524-000941	1 - 38
900209-05030	8 - 10	900516-00005	4 - 27		
900209-05030	9 - 10	900560-00005	8 - 2		
900216-05012	3 - 19	900560-00005	9 - 2		
900235-05012	5 - 23	900562-50005	8 - 2		
900238-04010	4 - 22	900562-50005	9 - 2		
900238-04016	4 - 31	900600-00008	3 - 13		
900238-04020	8 - 37	900600-00008	3 - 13		
900238-04020	9 - 37	900603-00005	3 - 18		
900238-05014	4 - 8	900603-00005	3 - 18		
900238-05020	3 - 11	900603-00005	3 - 18		
900238-05020	3 - 11	900700-00004	2 - 7		
900238-05022	3 - 11	900721-00025	5 - 16		
900238-05022	3 - 11	900810-36201	1 - 8		
900238-05025	1 - 6	91318-05032	8 - 10		
900238-05035	4 - 9	91318-05032	9 - 10		
900238-05045	2 - 9	94035-36201	1 - 8		
900250-04008	2 - 38	A056-000010	8 - 16		
900250-05018	2 - 16	A056-000010	8 - 16		
900253-03010	3 - 31	A365-000050	5 - 17		
900253-04010	1 - 28	A411-000150	3 - 10		
900253-04010	8 - 5	A514-000000	3 - 16		

YAMABIKO CORPORATION

7-2 SUEHIROCHO 1-CHOME, OHME, TOKYO 198-8760, JAPAN
PHONE: 81-428-32-6118. FAX: 81-428-32-6145.

ECHO®



(36)
No. 60-212