



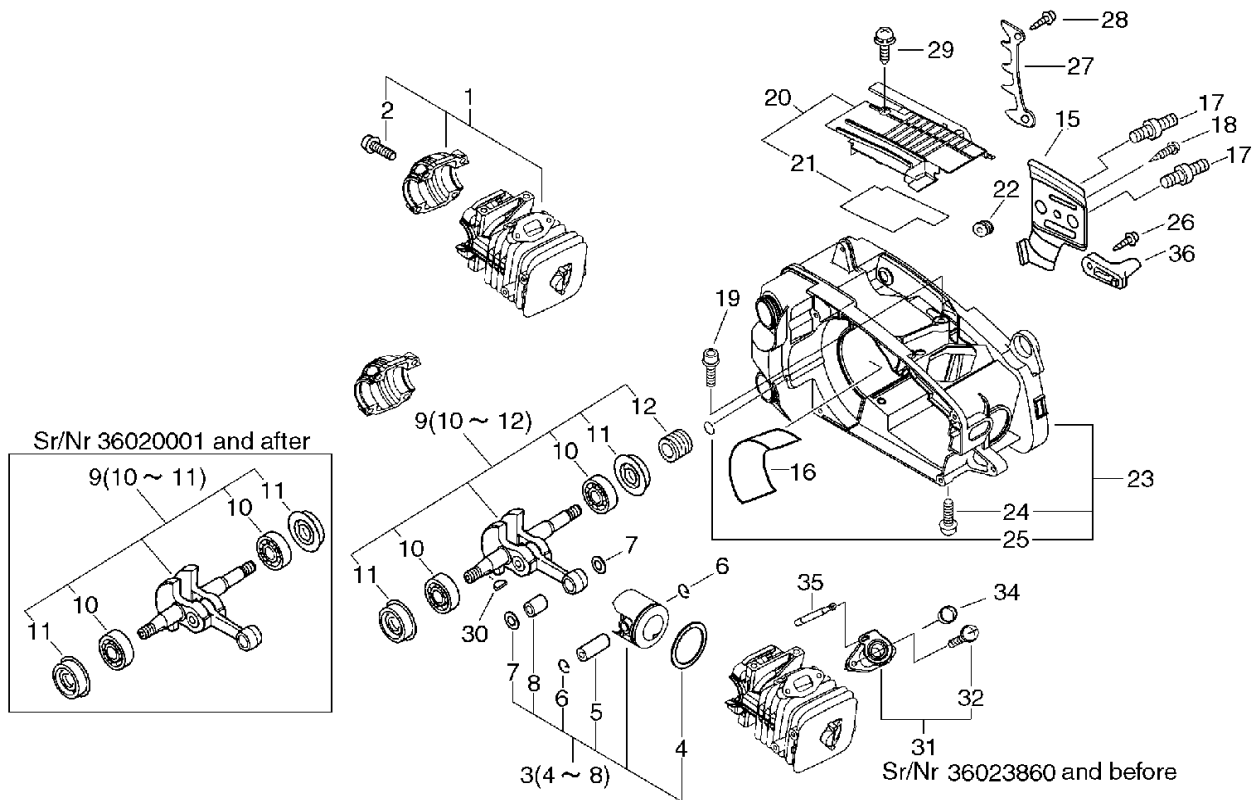
PARTS CATALOG

CHAIN SAW CS-350WES(36)



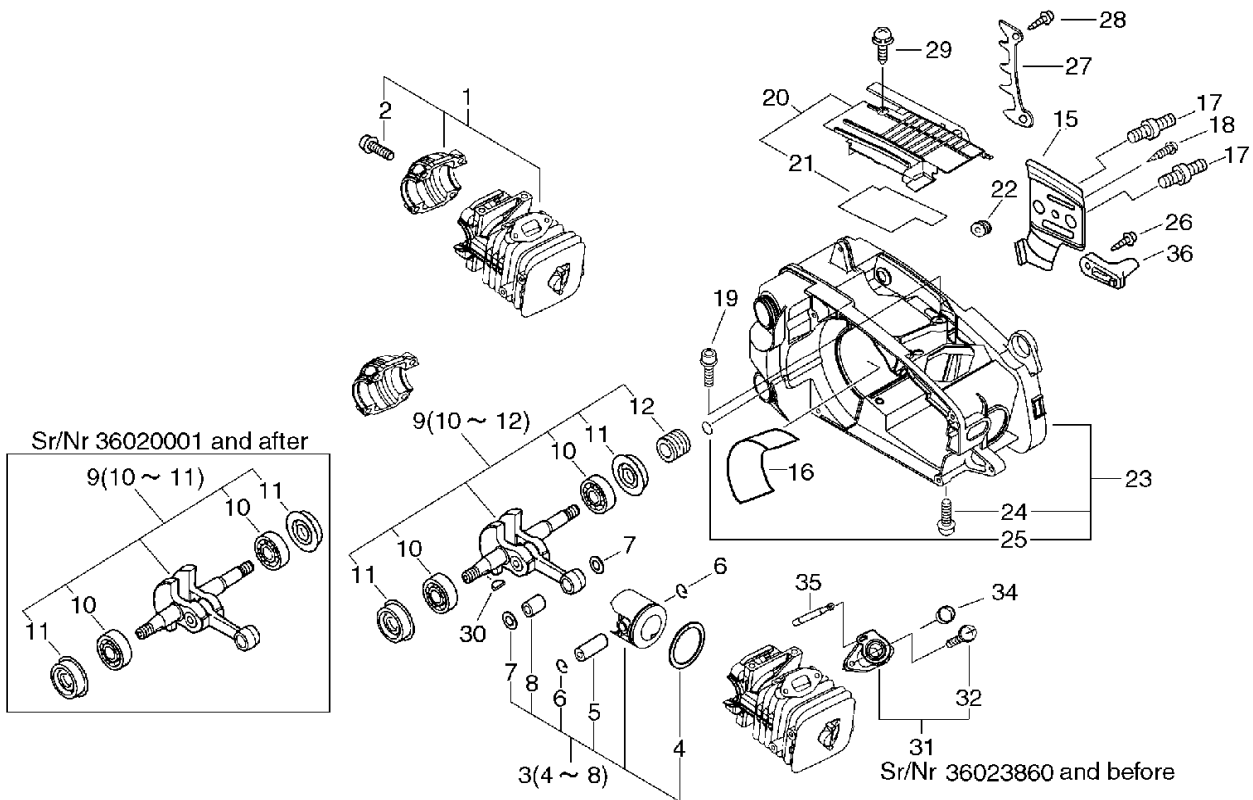
CS-350WES(36)

1. Cylinder, Crankcase, Piston



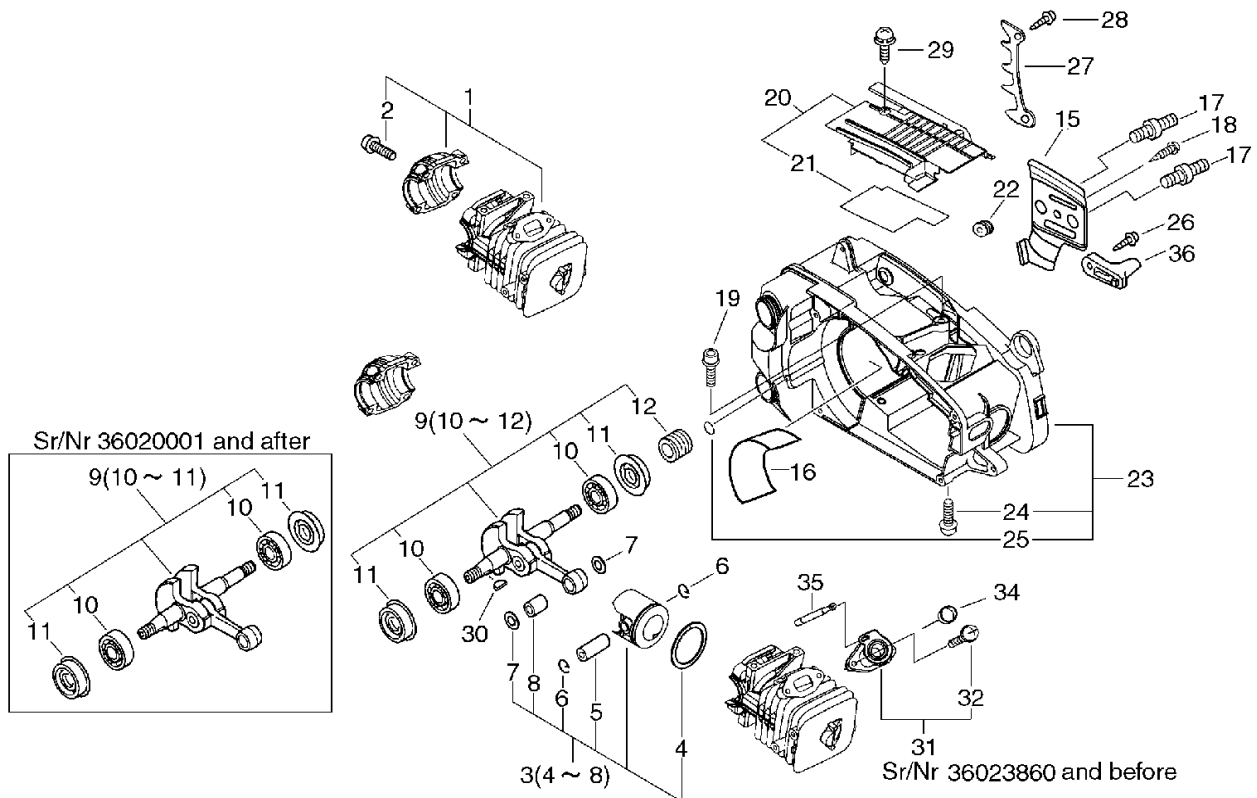
KEY	LV	PART NUMBER	Q'TY	DESCRIPTION	REMARKS	NOTE1	NOTE2
1		P021-004921	1	CRANKCASE SET		Sus. by P021-009250	
1		P021-009250	1	CRANKCASE SET			
2	+	900162-05025	4	BOLT, H.S. 5*25	5*25 W,SW		
3		P021-004932	1	PISTON KIT		Sus. by P021-009230	
3		P021-009230	1	PISTON KIT			
4	+	100011-13330	1	RING, PISTON		Sus. by A101-000120	
4	+	A101-000120	1	RING,PISTON	BF R0.2		
5	+	100013-15330	1	PIN, PISTON	5.5*8*29		
6	+	100015-04630	2	CIRCLIP, PISTON PIN			
7	+	100014-60930	2	SPACER, PISTON PIN			
8	+	V553-000040	1	BEARING,NEEDLE 8	8E-KV8X11X11.8XS		
9		P021-004940	1	CRANKSHAFT ASY		Sus. by P021-004941	
9		P021-004941	1	CRANKSHAFT ASY		Sr/Nr 36004400 and before	
9		P021-005511	1	CRANKSHAFT ASY		Sr/Nr 36004401 to 36015370	
9		P021-010701	1	CRANKSHAFT ASY		Sr/Nr 36020001 and after	
10	+	94035-36201	2	BEARING BALL	6201X3JR2C3		
11	+	V505-000010	2	SEAL,OIL 12			

1. Cylinder, Crankcase, Piston



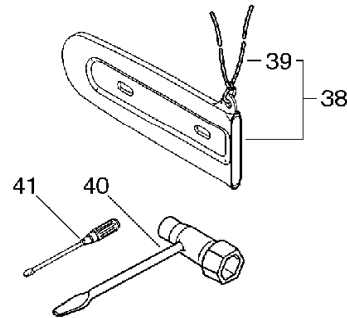
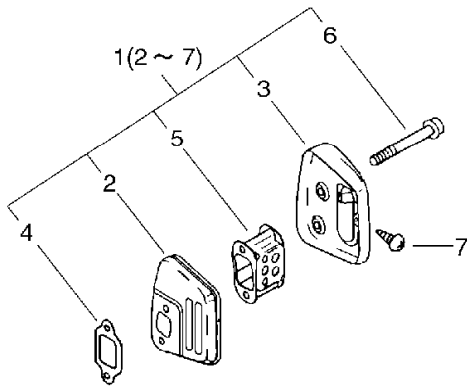
KEY	LV	PART NUMBER	Q'TY	DESCRIPTION	REMARKS	NOTE1	NOTE2
12	+	V652-000010	1	GEAR,WORM		Sr/Nr 36015370 and before	
15		C305-000070	1	PLATE,SPROCKET GUARD		Sus. by C305- 000080	
16		V420-001110	1	CUSHION			
17		433011-03931	2	STUD, GUIDE BAR			
18		900253-04010	1	SCREW 4*10	4*10		
19		900106-05020	2	BOLT, H.S. 5*20	5*20		
20		P021-008740	1	DUSTCOVER SET		Sus. by P021- 008741	
20		P021-008741	1	DUSTCOVER SET			
21	+	V341-000040	1	WASHER,SQUARE			
22		163911-30130	1	PLUG			
23		P021-008670	1	COVER ENGINE		Sus. by P021- 008676	
23		P021-008671	1	COVER,ENGINE		Sus. by P021- 008676	
23		P021-008672	1	COVER,ENGINE		Sus. by P021- 008676	
23		P021-008673	1	COVER,ENGINE		Sus. by P021- 008676	
23		P021-008674	1	COVER,ENGINE KIT		Sus. by P021- 008676	
23		P021-008675	1	COVER,ENGINE KIT		Sus. by P021- 008676	
23		P021-008676	1	COVER,ENGINE KIT			

1. Cylinder, Crankcase, Piston



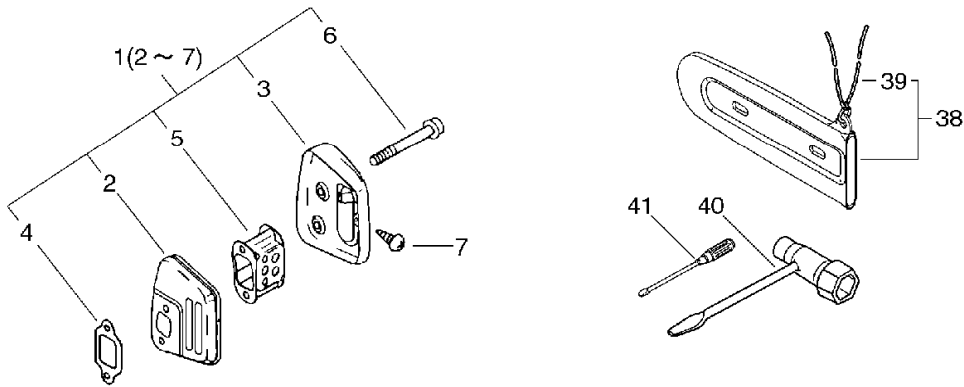
KEY	LV	PART NUMBER	Q'TY	DESCRIPTION	REMARKS	NOTE1	NOTE2
24		900106-05020	2	BOLT, H.S. 5*20	5*20	Sr/Nr 36001850 and before	
24	+	900106-05030	2	BOLT, H.S.H. 5*30	5*30	Sr/Nr 36001851 and after	
25	+	433026-35430	1	CATCHER, CHAIN		Sr/Nr 36003701 and after	
26		900253-05020	1	SCREW 5*20	5*20		
27		C304-000000	1	SPIKE			
28		900253-05020	1	SCREW 5*20	5*20		
29		900253-04012	2	SCREW	4*12		
30		100142-12330	1	KEY, WOODRUFF			
31		P021-005732	1	BELLOWS,INTAKE KIT		Sr/Nr 36023860 and before	
32	+	91420-05012	2	SCREW	5*12		
34		V359-000060	1	COLLAR,16			
35		V470-000481	1	PIPE	3*7*65		
36		433026-35430	1	CATCHER, CHAIN			

2. Muffler ,Tools(Sr/Nr 36023860 and before)



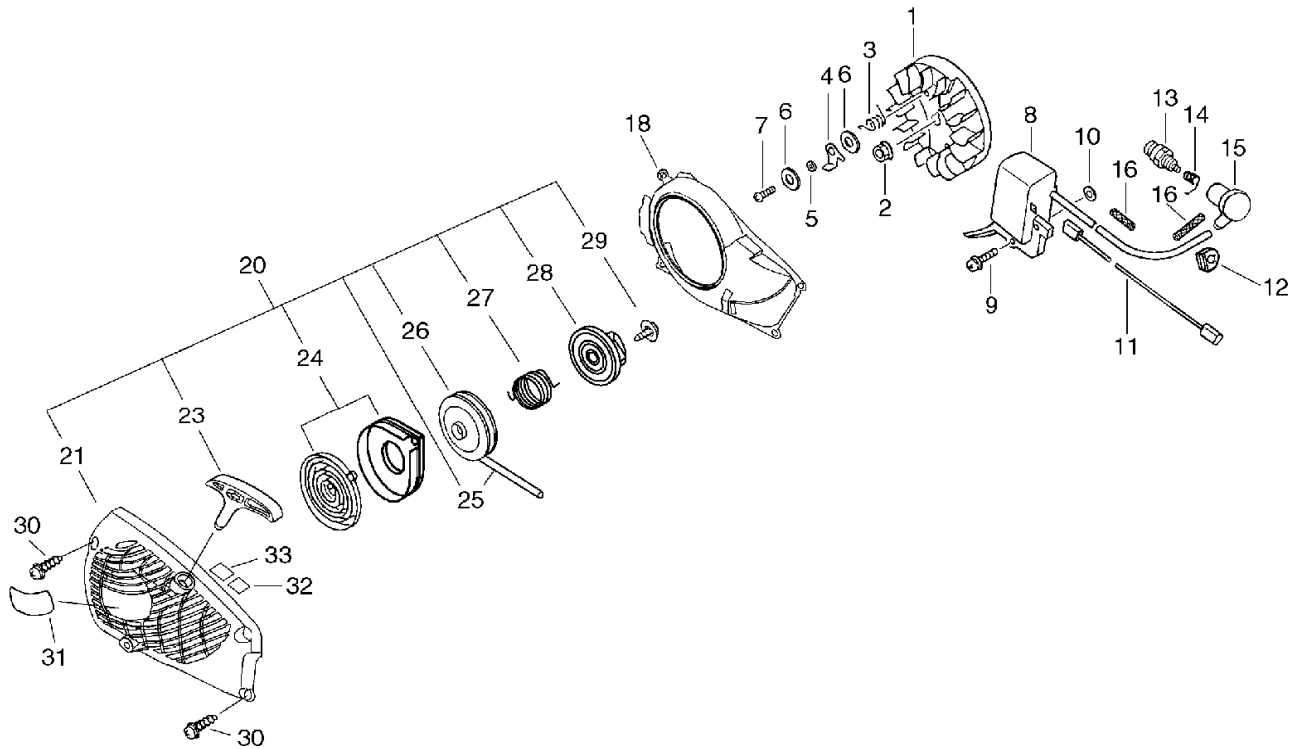
KEY	LV	PART NUMBER	Q'TY	DESCRIPTION	REMARKS	NOTE1	NOTE2
1		P021-004952	1	MUFFLER ASY		Sus. by P021-009930	
2	+	A300-000370	1	MUFFLER,EXHAUST			
3	+	P021-008650	1	MUFFLER LID ASY			
4	+	145510-13931	1	GASKET, MUFFLER			
5	+	A301-000000	1	PLATE,MUFFLER			
6	+	91107-05040	2	BOLT HSH FLANGE	5*40		
7	+	900250-04008	1	SCREW 4*8	4*8		
38		P021-006951	1	SCABBARD,CHAIN	(ORANGE)	OPTION	
39	+	898568-14530	1	ROPE	5*900	OPTION	
40		895410-03930	1	WRENCH, W/S. DRIVER			
41		895812-03930	1	DRIVER, SCREW 50			

3. Muffler ,Tools(Sr/Nr 36023861 and after)



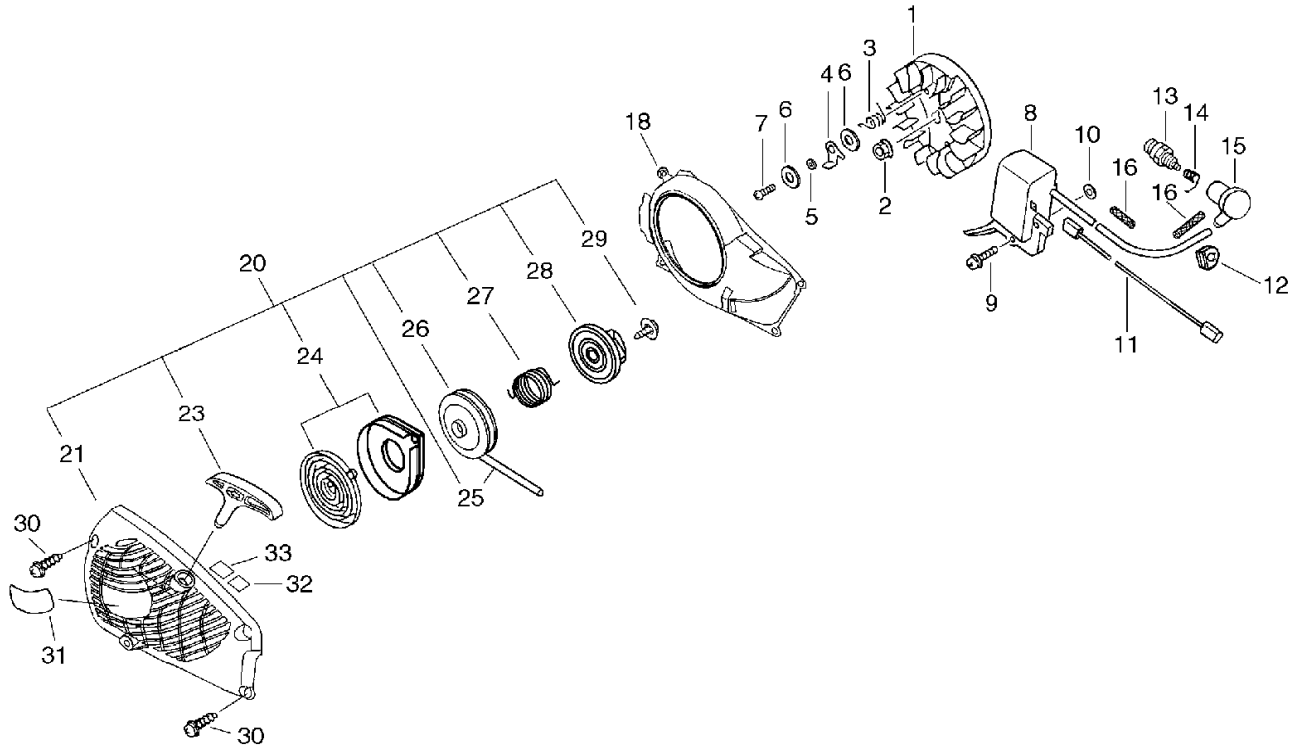
KEY	LV	PART NUMBER	Q'TY	DESCRIPTION	REMARKS	NOTE1	NOTE2
1		P021-004952	1	MUFFLER ASY		Sus. by P021-009930	
1		P021-009930	1	MUFFLER ASY			
2	+	A300-000370	1	MUFFLER,EXHAUST			
3	+	P021-008650	1	MUFFLER LID ASY			
4	+	145510-13931	1	GASKET, MUFFLER			
5	+	A301-000000	1	PLATE,MUFFLER			
6	+	91107-05040	2	BOLT HSH FLANGE	5*40		
7	+	900250-04008	1	SCREW 4*8	4*8		
38		P021-006951	1	SCABBARD,CHAIN	(ORANGE)		
39	+	898568-14530	1	ROPE	5*900		
40		895410-03930	1	WRENCH, W/S. DRIVER			
41		895812-03930	1	DRIVER, SCREW 50			

4. Starter, Magneto(Sr/Nr 36023860 and before)



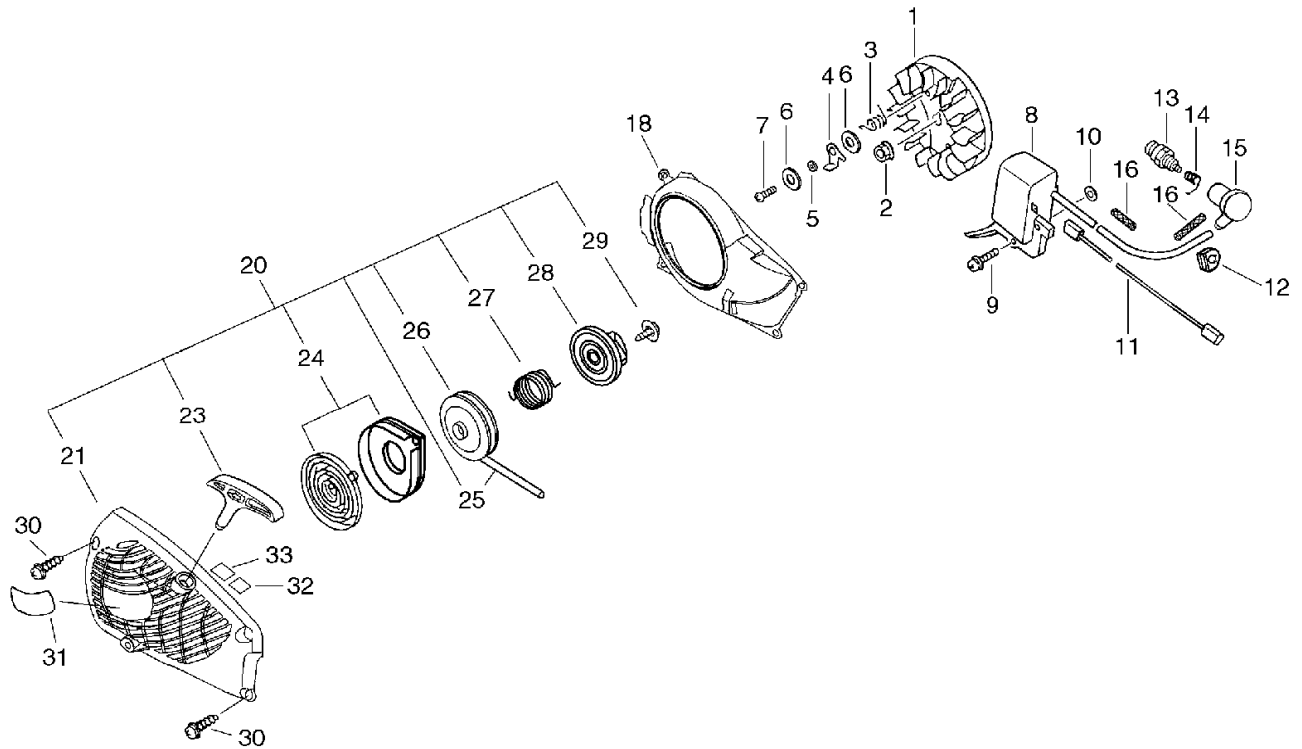
KEY	LV	PART NUMBER	Q'TY	DESCRIPTION	REMARKS	NOTE1	NOTE2
1		A409-000170	1	ROTOR,MAGNETO			
2		900515-00008	1	NUT, FLANGE 8	8		
3		177234-35430	2	SPRING, RETURN			
4		A514-000020	2	PAWL			
5		177247-04630	2	SPACER, RATCHET	5.2*8*2.1		
6		900603-00005	4	WASHER 5	5.5*12*0.8		
7		V203-000080	2	BOLT,5	5*14		
8		A411-000150	1	COIL,IGNITION			
9		900238-05022	2	SCREW 5*22	5*22		
10		150117-16430	2	SPACER			
11		V485-000550	1	LEAD	AMP-187 AMP-250		
12		156110-04920	1	BUSHING			
13		159010-10230	1	PLUG, SPARK (BPMR-7A	BPMR-7A		
14		A426-000000	1	TERMINAL,SPARKPLUG			
15		A427-000000	1	CAP,SPARK PLUG			
16		V475-002390	1	TUBE		Sr/Nr 36003700 and before	
16		V475-002390	2	TUBE		Sr/Nr 36003701 and after	
18		A172-000500	1	COVER,FAN		Sus. by A172- 000501	
18		A172-000501	1	COVER,FAN			
20		A051-000800	1	STARTER,RECOIL	CS-350WES	Sus. by A051- 000802	

4. Starter, Magneto(Sr/Nr 36023860 and before)



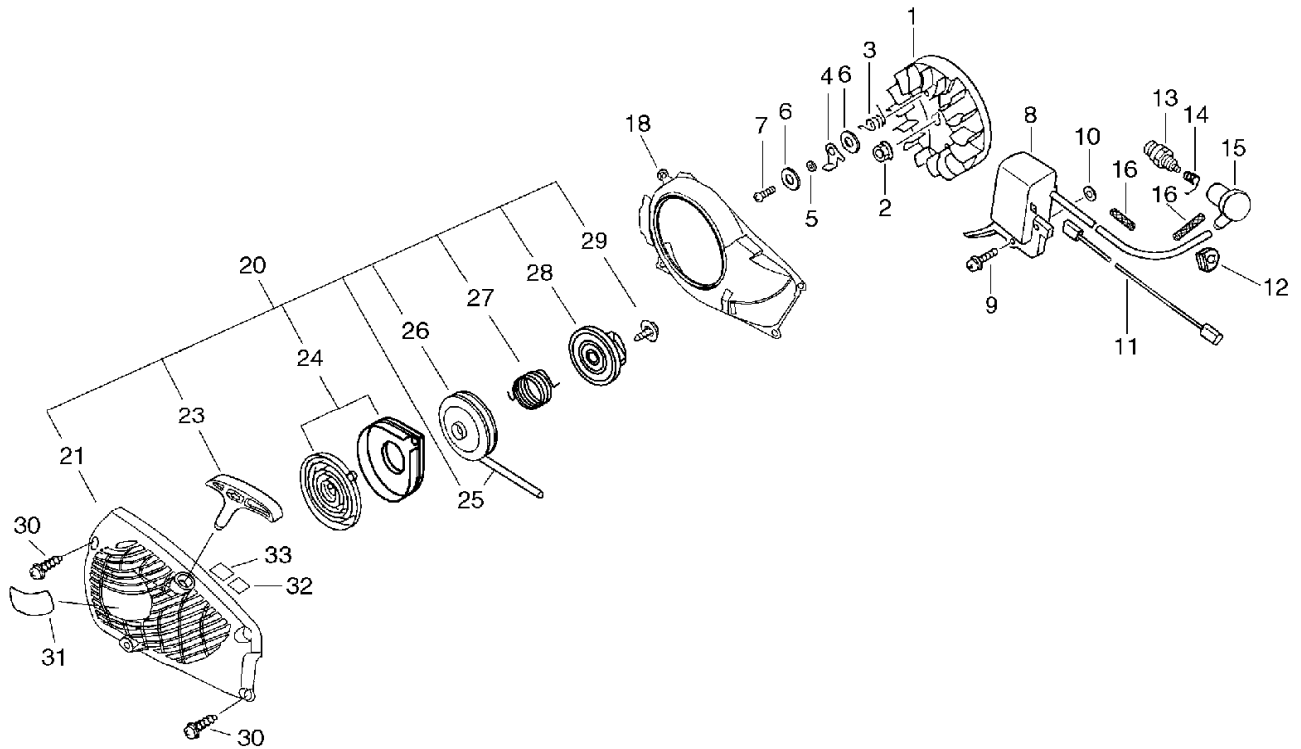
KEY	LV	PART NUMBER	Q'TY	DESCRIPTION	REMARKS	NOTE1	NOTE2
20		A051-000801	1	STARTER,RECOIL	CS-350WES	Sus. by A051-000802	
20		A051-000802	1	STARTER,RECOIL			
21	+	P022-009770	1	STARTER,RECOIL		Sus. by P022-009771	
21	+	P022-009771	1	STARTER,RECOIL			
23	+	P022-005890	1	GRIP, STARTER			
24	+	P022-001330	1	SPRING KIT, REWIND			
25	+	P022-008440	1	ROPE, STARTER	3.5*900		
26	+	A506-000030	1	REEL,ROPE			
27	+	V452-000220	1	SPRING,TORSION	D2.3φ21.1		
28	+	A507-000020	1	CATCHER,PAWL		Sus. by A507-000021	
28	+	A507-000021	1	CATCHER,PAWL			
29	+	177236-61830	1	SCREW			
30		900256-04016	4	SCREW 4*16	4*16		
31		X502-000100	1	LABEL,ECHO		Sus. by X502-000101	
31		X502-000101	1	LABEL,ECHO			
32		X505-000180	1	LABEL,CAUTION			

5. Starter, Magneto(Sr/Nr 36023861 and after)



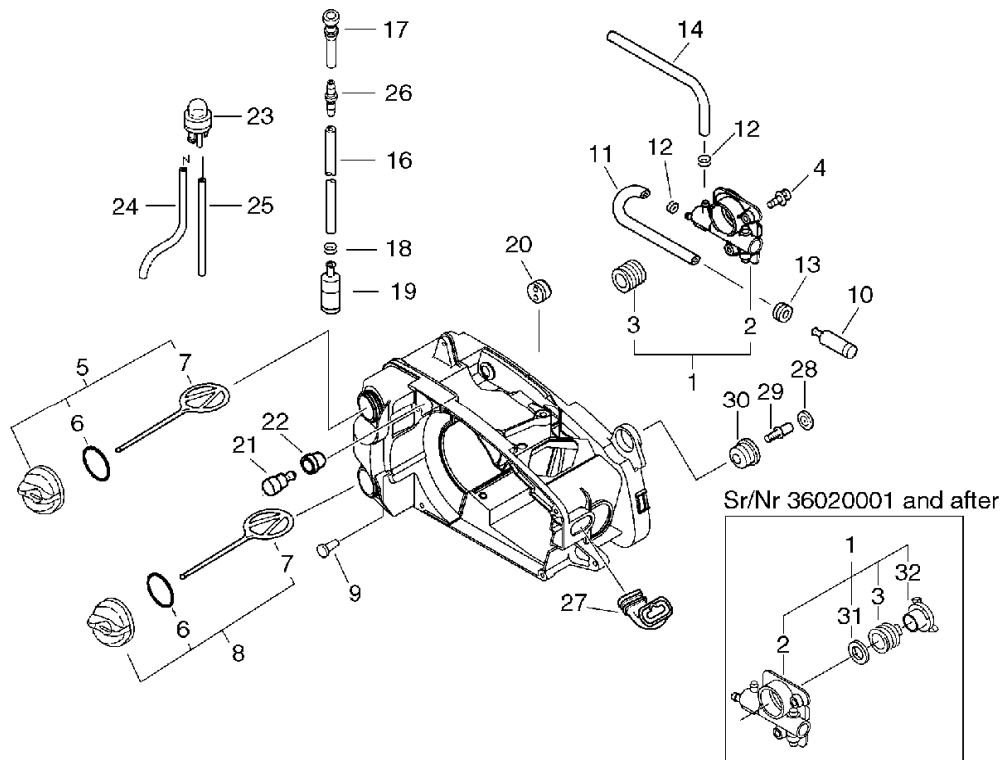
KEY	LV	PART NUMBER	Q'TY	DESCRIPTION	REMARKS	NOTE1	NOTE2
1		A409-000170	1	ROTOR,MAGNETO			
2		900515-00008	1	NUT, FLANGE 8	8		
3		177234-35430	2	SPRING, RETURN			
4		A514-000020	2	PAWL			
5		177247-04630	2	SPACER, RATCHET	5.2*8*2.1		
6		900603-00005	4	WASHER 5	5.5*12*0.8		
7		V203-000080	2	BOLT,5	5*14		
8		A411-000150	1	COIL,IGNITION			
9		900238-05022	2	SCREW 5*22	5*22		
10		150117-16430	2	SPACER			
11		V485-000550	1	LEAD	AMP-187 AMP-250		
12		156110-04920	1	BUSHING			
13		159010-10230	1	PLUG, SPARK (BPMR-7A	BPMR-7A		
14		A426-000000	1	TERMINAL,SPARKPLUG			
15		A427-000000	1	CAP,SPARK PLUG			
16		V475-002390	1	TUBE		Qty 1->2	
16		V475-002390	2	TUBE			
18		A172-000501	1	COVER,FAN			
20		A051-000802	1	STARTER,RECOIL			
21	+	P022-009771	1	STARTER,RECOIL			
23	+	P022-005890	1	GRIP, STARTER			
24	+	P022-001330	1	SPRING KIT, REWIND			
25	+	P022-008440	1	ROPE, STARTER	3.5*900		
26	+	A506-000030	1	REEL,ROPE			
27	+	V452-000220	1	SPRING,TORSION	D2.3φ21.1		

5. Starter, Magneto(Sr/Nr 36023861 and after)



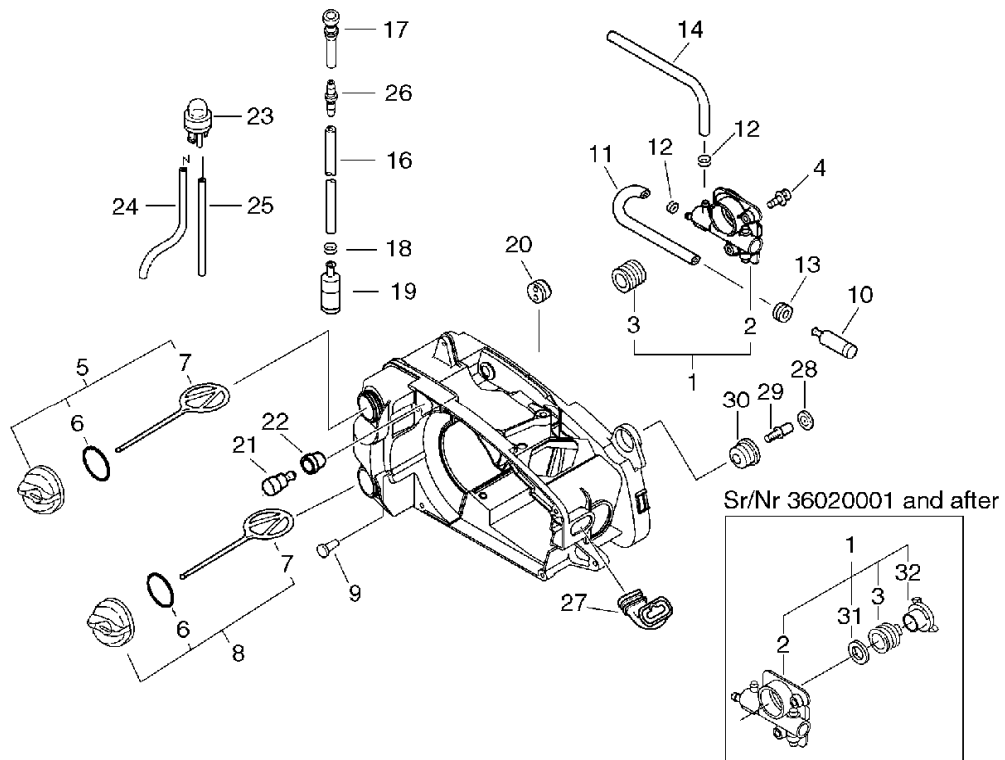
KEY	LV	PART NUMBER	Q'TY	DESCRIPTION	REMARKS	NOTE1	NOTE2
28	+	A507-000021	1	CATCHER,PAWL			
29	+	177236-61830	1	SCREW			
30		900256-04016	4	SCREW 4*16	4*16		
31		X502-000100	1	LABEL,ECHO		Sus. by X502-000101	
31		X502-000101	1	LABEL,ECHO			
32		X505-000180	1	LABEL,CAUTION			
33		X530-000210	1	LABEL,EYE CATCHER			

6. Auto-Oiler



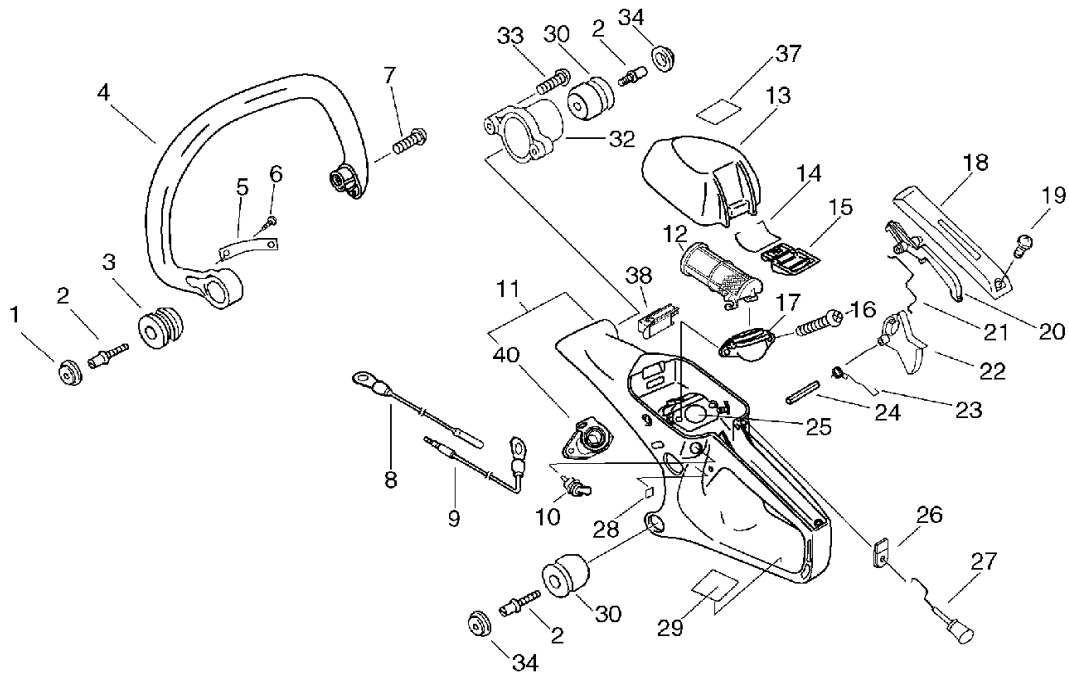
KEY	LV	PART NUMBER	Q'TY	DESCRIPTION	REMARKS	NOTE1	NOTE2
1		P021-001980	1	AUTO-OILER ASY		Sr/Nr 36015370 and before	
1		P021-010890	1	AUTO-OILER ASY		Sr/Nr 36020001 and after	
2	+	C022-000000	1	OILER,ASM AUTO		Sr/Nr 36015370 and before	
2	+	C022-000020	1	AUTO-OILER ASSEMBLY		Sr/Nr 36020001 and after	
3	+	V652-000010	1	GEAR,WORM		Sr/Nr 36015370 and before	
3	+	V652-000030	1	GEAR,WORM		Sr/Nr 36020001 and after	
31	+	V308-000030	1	WASHER,CIRCULAR 11	10.5*17.4*1.8	Sr/Nr 36020001 and after	
32	+	V356-000290	1	COLLAR,10		Sr/Nr 36020001 and after	
4		900238-04012	2	SCREW 4*12	4*12		
5		P021-005591	1	CAP ASY			
6	+	900720-00018	1	O-RING 18	P-18		
7	+	A365-000050	1	CONNECTOR,CAP			
8		P021-005581	1	OIL CAP ASY			
6	+	900720-00018	1	O-RING 18	P-18		
7	+	A365-000050	1	CONNECTOR,CAP			
9		436114-13930	1	VALVE, CHECK			
10		436205-02832	1	STRAINER, OIL			
11		V471-000740	1	PIPE			

6. Auto-Oiler



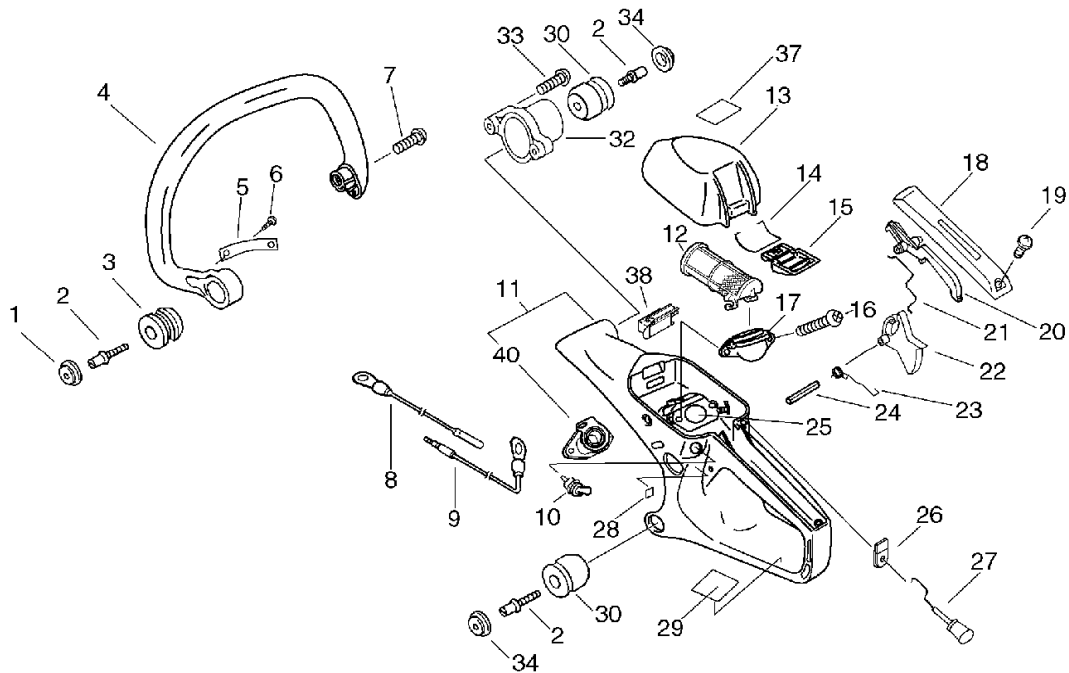
KEY	LV	PART NUMBER	Q'TY	DESCRIPTION	REMARKS	NOTE1	NOTE2
12		132013-26630	1	CLIP	6.5MM	Sr/Nr 36003700 and before	
12		132013-26630	2	CLIP	6.5MM	Sr/Nr 36003701 and after	
13		132115-01461	1	GROMMET			
14		V471-000760	1	PIPE			
16		V471-000750	1	PIPE			
17		V470-000320	1	PIPE			
18		132013-09820	1	CLIP	6MM		
19		131205-14930	1	STRAINER,FUEL			
20		132115-44330	1	GROMMET			
21		131300-56430	1	VALVE, CHECK			
22		V137-000000	1	GROMMET,FUEL			
23		123181-39130	1	PUMP, PRIMER			
24		V471-001440	1	PIPE	2.4*5*295		
25		V471-001290	1	PIPE	2.4*5*75		
26		V186-000020	1	JOINT,PIPE			
27		A239-000030	1	PIPE,INTAKE	L TYPE		
28		100918-15130	1	CAP			
29		V202-000020	1	BOLT,4			
30		100910-18830	1	CUSHION			

7. Air Cleaner, Handle(Sr/Nr 36023860 and before)



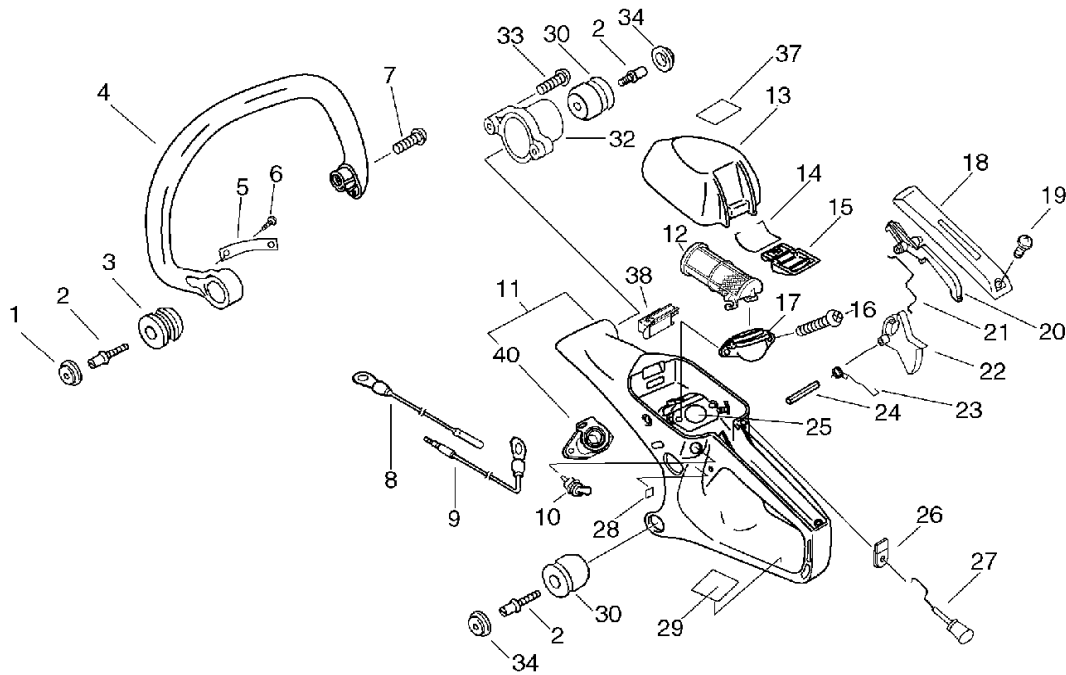
KEY	LV	PART NUMBER	Q'TY	DESCRIPTION	REMARKS	NOTE1	NOTE2
1		100918-14330	1	CAP, CUSHION			
2		V202-000020	3	BOLT,4			
3		V401-000120	1	CUSHION,5			
4		C400-000320	1	HANDLE,FRONT			
5		C617-000200	1	STOPPER			
6		900253-04008	1	SCREW 4*8	4*8		
7		900253-05020	2	SCREW 5*20	5*20		
8		V485-000560	1	LEAD	CB-104 LA-105		
9		V485-000570	1	LEAD		Sus. by V485-000571	
9		V485-000571	1	LEAD			
10		163400-38430	1	SWITCH, IGNITION			
11		C410-000250	1	HANDLE,REAR		Sr/Nr 36023860 and before	
11		C410-000251	1	HANDLE,REAR		Sr/Nr 36023860 and before	
11		P021-011540	1	HANDLE, REAR		Sr/Nr 36023861 and after	
40		A202-000033	1	BELLOWS,INTAKE		Sr/Nr 36023861 and after	
12		A226-000260	1	ELEMENT,AIR FILTER			
13		A232-000191	1	LID,CLEANER			
14		V582-000020	1	RING,SNAP	CSE2700		
15		A235-000140	1	KNOB,CLEANER LID			
16		900238-05050	2	SCREW 5*50	5*50		

7. Air Cleaner, Handle(Sr/Nr 36023860 and before)



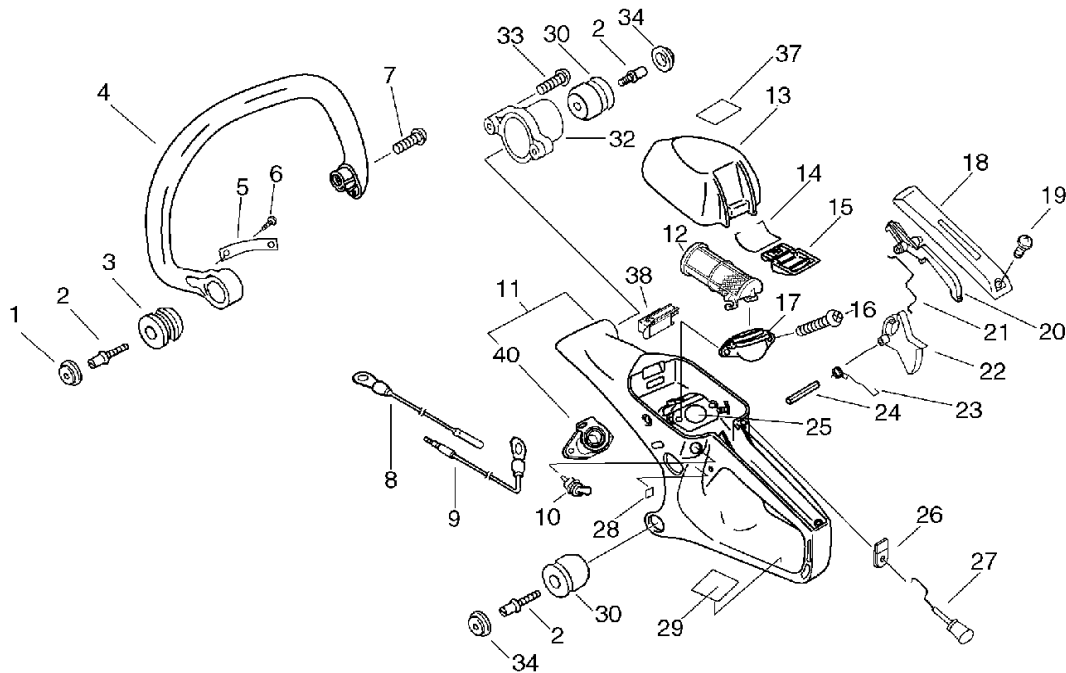
KEY	LV	PART NUMBER	Q'TY	DESCRIPTION	REMARKS	NOTE1	NOTE2
17		A204-000060	1	ELBOW,CARBURETOR			
18		C411-000000	1	LID,HANDLE		Sus. by C411-000001	
18		C411-000001	1	LID,HANDLE			
19		900253-04012	1	SCREW	4*12		
20		178090-37930	1	LOCKOUT, T. CONTROL			
21		C454-000090	1	ROD,THROTTLE		Sus. by C454-000110	
21		C454-000110	1	ROD, THROTTLE			
22		C450-000140	1	TRIGGER,THROTTLE			
23		V452-000140	1	SPRING,TORSION		Sus. by 178043-35430	
23		178043-35430	1	SPRING, THR.RETURN			
24		900345-40025	1	PIN, SPRING 4*25SUS	4*25SUS		
25		A021-001020	1	CARBURETOR,DIAPHRAGM	WT-772	Sus. by A021-001191	
25		A021-001021	1	CARBURETOR,DIAPHRAGM	WT-722A	Sus. by A021-001191	
25		A021-001190	1	CARBURETOR,DIAPHRAGM	WT-721 JX-3536C	Sus. by A021-001191	
25		A021-001191	1	CARBURETOR,DIAPHRAGM	WT-721A		
26		V130-000010	1	GROMMET,CHOKE			
27		A241-000060	1	KNOB,CHOKE			
28		890157-39130	1	LABEL, SWITCH			
29		890345-39230	1	LABEL,CAUTION			

7. Air Cleaner, Handle(Sr/Nr 36023860 and before)



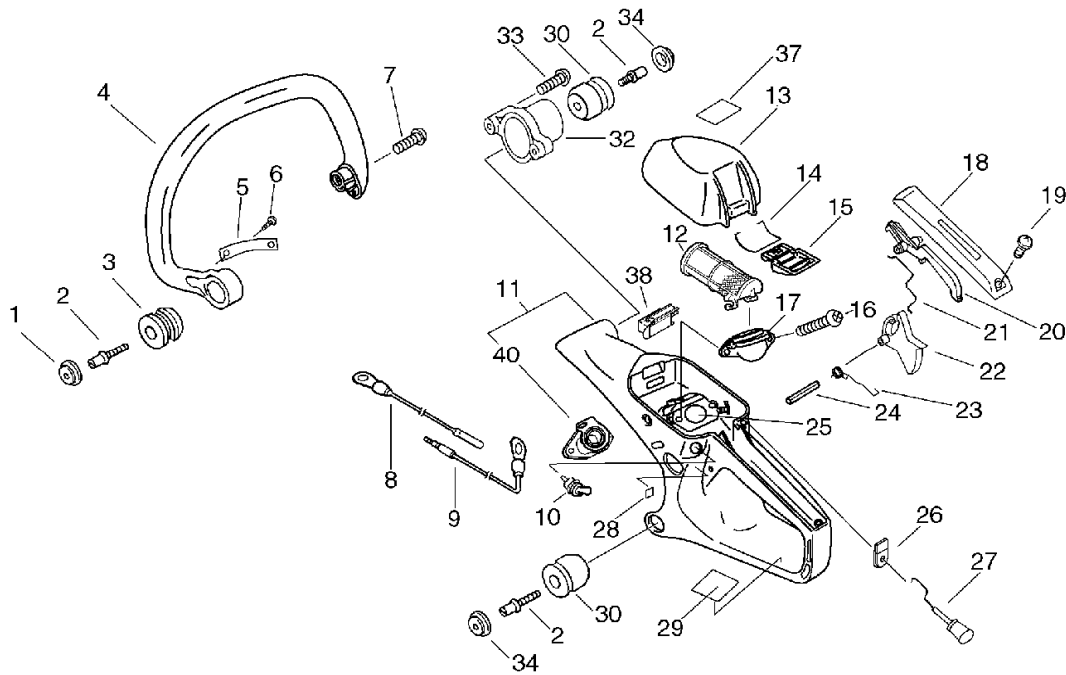
KEY	LV	PART NUMBER	Q'TY	DESCRIPTION	REMARKS	NOTE1	NOTE2
30		V400-000040	2	CUSHION,4		Sus. by V400-000041	
30		V400-000041	2	CUSHION,4	10MM		
32		V424-000000	1	SLEEVE,CUSHION			
33		900253-04016	2	SCREW 4*16	4*16		
34		100918-15130	2	CAP			
37		X503-006200	1	LABEL,MODEL	CS-350WES	Sus. by X503-008180	

8. Air Cleaner, Handle(Sr/Nr 36023861 and after)



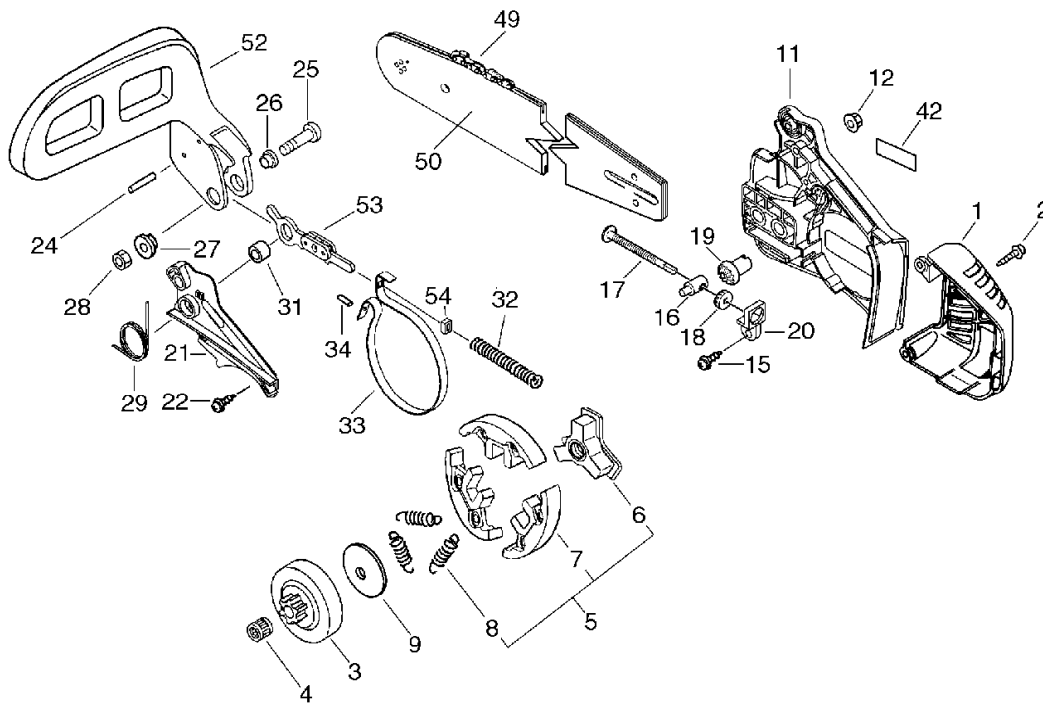
KEY	LV	PART NUMBER	Q'TY	DESCRIPTION	REMARKS	NOTE1	NOTE2
1		100918-14330	1	CAP, CUSHION			
2		V202-000020	3	BOLT,4			
3		V401-000120	1	CUSHION,5			
4		C400-000320	1	HANDLE,FRONT		Sus. by C400-000321	
5		C617-000200	1	STOPPER			
6		900253-04008	1	SCREW 4*8	4*8		
7		900253-05020	2	SCREW 5*20	5*20		
8		V485-000560	1	LEAD	CB-104 LA-105		
9		V485-000571	1	LEAD			
10		163400-38430	1	SWITCH, IGNITION			
11		P021-011540	1	HANDLE, REAR		Sr/Nr 36023861 and after, Sus. by P021-011541	
40	+	A202-000033	1	BELLOWS,INTAKE		Sr/Nr 36023861 and after	
12		A226-000260	1	ELEMENT,AIR FILTER			
13		A232-000191	1	LID,CLEANER			
14		V582-000020	1	RING,SNAP	CSE2700		
15		A235-000140	1	KNOB,CLEANER LID			
16		900238-05050	2	SCREW 5*50	5*50		
17		A204-000060	1	ELBOW,CARBURETOR			
18		C411-000001	1	LID,HANDLE			
19		900253-04012	1	SCREW	4*12		

8. Air Cleaner, Handle(Sr/Nr 36023861 and after)



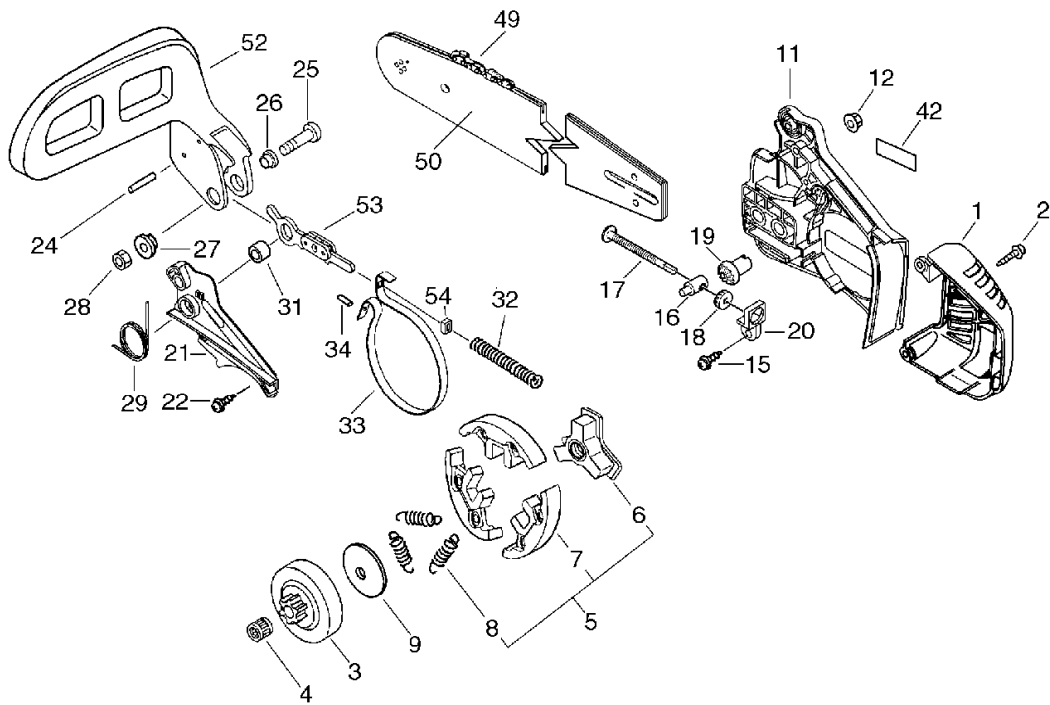
KEY	LV	PART NUMBER	Q'TY	DESCRIPTION	REMARKS	NOTE1	NOTE2
20		178090-37930	1	LOCKOUT, T. CONTROL			
21		C454-000110	1	ROD, THROTTLE			
22		C450-000140	1	TRIGGER, THROTTLE		Sus. by C450-000141	
23		178043-35430	1	SPRING, THR.RETURN		Sus. by V452-000260	
24		900345-40025	1	PIN, SPRING 4*25SUS	4*25SUS		
25		A021-001191	1	CARBURETOR, DIAPHRAGM	WT-721A		
26		V130-000010	1	GROMMET, CHOKE			
27		A241-000060	1	KNOB, CHOKE			
28		890157-39130	1	LABEL, SWITCH			
29		890345-39230	1	LABEL, CAUTION			
30		V400-000041	2	CUSHION, 4	10MM		
32		V424-000000	1	SLEEVE, CUSHION			
33		900253-04016	2	SCREW 4*16	4*16		
34		100918-15130	2	CAP			
37		X503-006200	1	LABEL, MODEL	CS-350WES	Sus. by X503-008180	
37		X503-008180	1	LABEL, MODEL	CS-350WES		
38		V142-000020	1	GROMMET, DUST			

9. Clutch, Sprocket(Sr/Nr 36023860 and before)



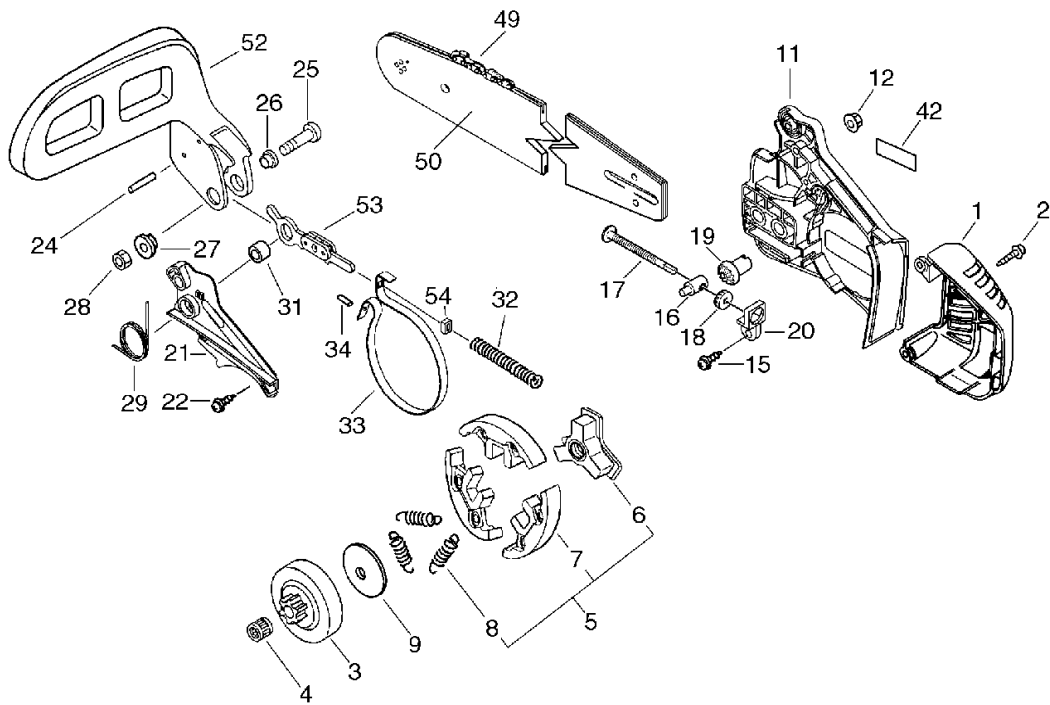
KEY	LV	PART NUMBER	Q'TY	DESCRIPTION	REMARKS	NOTE1	NOTE2
1		A320-000181	1	COVER,MUFFLER		Sus. by A320-000183	
1		A320-000182	1	COVER,MUFFLER		Sus. by A320-000183	
1		A320-000183	1	COVER,MUFFLER			
2		900253-04016	2	SCREW 4*16	4*16		
3		175005-39132	1	DRUM, CLUTCH	3/8A		
4		175012-35630	1	BEARING, NEEDLE	10*13*10	Sus. by 175012-00831	
4		175012-00831	1	BEARING, NEEDLE			
5		A056-000070	1	CLUTCH			
6	+	A552-000020	1	HUB,CLUTCH			
7	+	P021-005810	1	CLUTCH SHOE SET			
8	+	V451-000470	3	SPRING,TENSION			
9		A551-000010	1	PLATE,CLUTCH			
10		175014-39130	1	WASHER, CLUTCH	10.2*25*1.2	Sus. by 175014-39131	
10		175014-39131	1	WASHER, CLUTCH	10.2*24.5*1.2	Sr/Nr 36015370 and before	
11		C300-000241	1	GUARD,SPROCKET		Sus. by C032-000242	
12		433019-03933	2	NUT, FLANGE 6	6		
15		900253-04012	1	SCREW	4*12		
16		C309-000030	1	TENSIONER,CHAIN			
17		V203-000041	1	BOLT,5			
18		V651-000011	1	GEAR,BEVEL			

9. Clutch, Sprocket(Sr/Nr 36023860 and before)



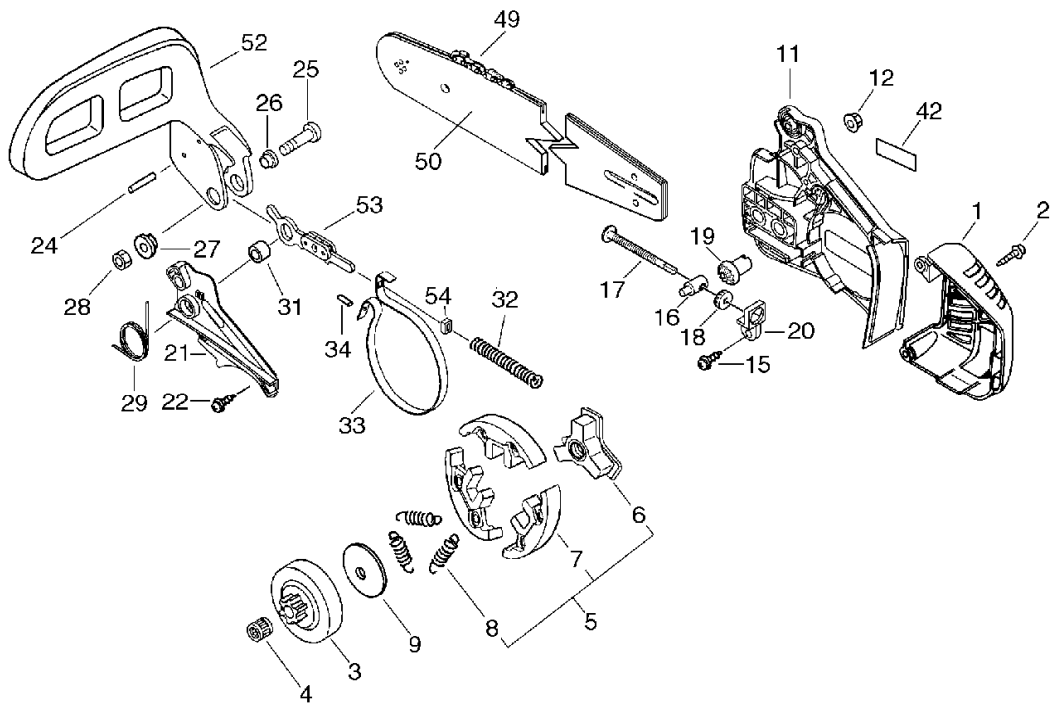
KEY	LV	PART NUMBER	Q'TY	DESCRIPTION	REMARKS	NOTE1	NOTE2
19		V651-000001	1	GEAR,BEVEL			
20		V355-000140	1	COLLAR,8			
21		C345-000084	1	COVER,BRAKE			
22		900253-04012	3	SCREW	4*12		
24		900330-30260	2	ROLLER 3*26	3*26		
25		91318-05032	1	SCREW	5*32		
26		433167-39130	1	SPACER			
27		V353-000060	1	COLLAR,5			
28		900562-50005	1	LOCKNUT 5	5		
29		V452-000110	1	SPRING,TORSION			
31		433116-35430	1	SPACER 8	8*12*9		
32		V450-000070	1	SPRING,COMPRESSION			
33		C328-000030	1	BAND,BRAKE			
34		93050-30098	1	ROLLER	F3*9.8		
42		X502-000020	1	LABEL,ECHO		Sus. by X502-000340	
49		431010-39930	1	CHAIN, SAW 91VS-47E	91VS-47E	91VS-47E	
49		431019-39930	1	CHAIN, SAW 91VS-53E	91VS-53E	91VS-53E	
49		431011-39430	1	CHAIN, SAW 91VS-58E	91VS-58E	91VS-58E	
50		X122-000070	1	BAR,GUIDE30RC50M-3/8	30RC50M-3/8	Sus. by X122-000071	
50		X122-000071	1	BAR,GUIDE30RC50M-3/8	30RC50M-3/8 ECHO	30RC50M-3/8	
50		X123-000070	1	BAR,GUIDE35RC50M-3/8	35RC50M-3/8 ECHO	Sus. by X122-000131	
50		X123-000131	1	BAR,GUIDE35RC50M-3/8	35RC50M-3/8	35RC50M-3/8	

9. Clutch, Sprocket(Sr/Nr 36023860 and before)



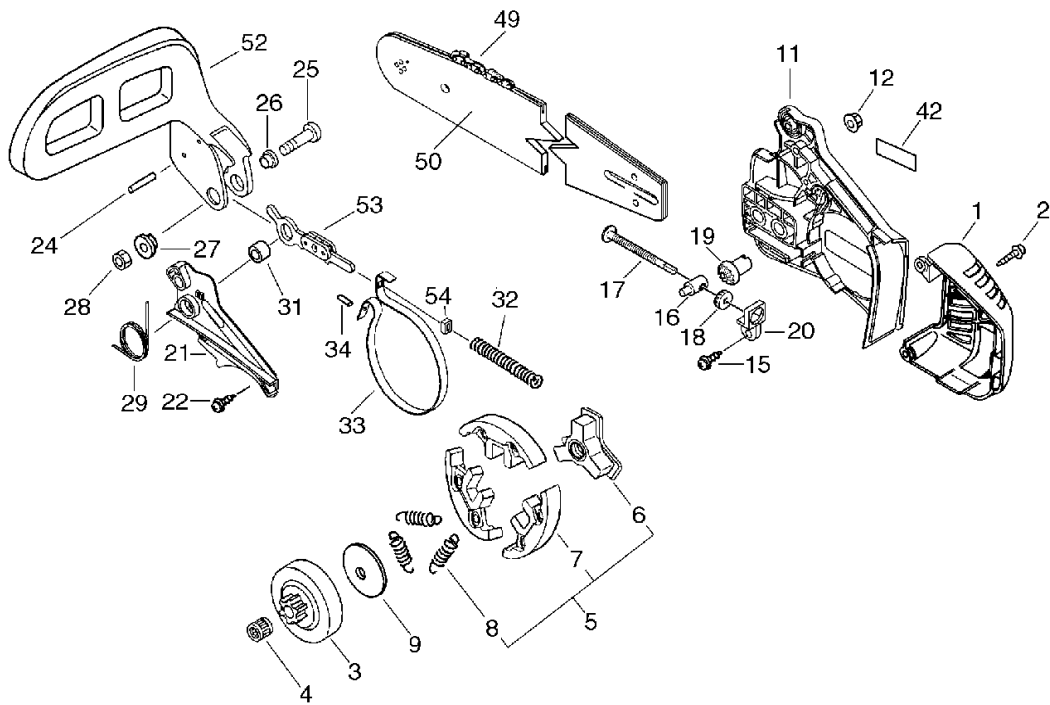
KEY	LV	PART NUMBER	Q'TY	DESCRIPTION	REMARKS	NOTE1	NOTE2
50		430211-13431	1	BAR,GUIDE 40RC50-3/8	40RC50-3/8	Sus. by 430211-13432	
50		430211-13432	1	BAR,GUIDE 40RC50-3/8	40RC50-3/8	40RC-50-3/8	
52		C320-000045	1	LEVER,BRAKE		Sus. by C320-000046	
53		C334-000070	1	CONNECTOR,BRAKE			
54		V376-000450	1	SPACER			

10. Clutch, Sprocket(Sr/Nr 36023861 and after)



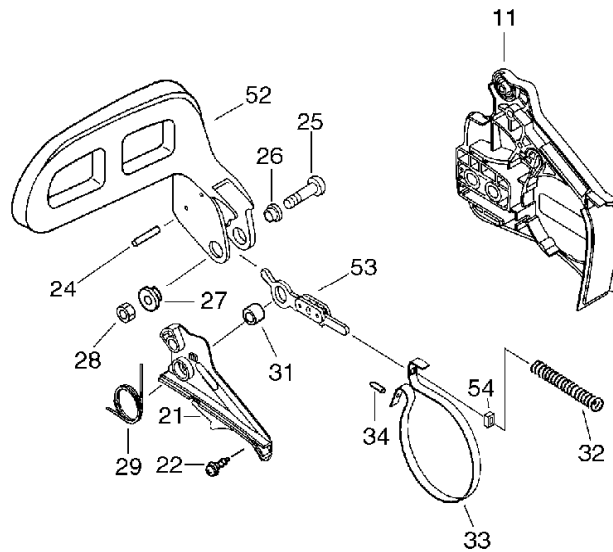
KEY	LV	PART NUMBER	Q'TY	DESCRIPTION	REMARKS	NOTE1	NOTE2
1		A320-000183	1	COVER,MUFFLER			
2		900253-04016	2	SCREW 4*16	4*16		
3		175005-39132	1	DRUM, CLUTCH	3/8A		
4		175012-00831	1	BEARING, NEEDLE			
5		A056-000070	1	CLUTCH			
6	+	A552-000020	1	HUB,CLUTCH			
7	+	P021-005810	1	CLUTCH SHOE SET			
8	+	V451-000470	3	SPRING,TENSION			
9		A551-000010	1	PLATE,CLUTCH			
10		175014-39131	1	WASHER, CLUTCH	10.2*24.5*1.2		
11		C300-000241	1	GUARD,SPROCKET		Sus. by C300-000242	
11		C300-000242	1	GUARD,SPROCKET			
12		433019-03933	2	NUT, FLANGE 6	6		
15		900253-04012	1	SCREW	4*12		
16		C309-000030	1	TENSIONER,CHAIN			
17		V203-000041	1	BOLT,5			
18		V651-000011	1	GEAR,BEVEL			
19		V651-000001	1	GEAR,BEVEL			
20		V355-000140	1	COLLAR,8			
21		C345-000084	1	COVER,BRAKE			
22		900253-04012	3	SCREW	4*12		
24		900330-30260	2	ROLLER 3*26	3*26		
25		91318-05032	1	SCREW	5*32		
26		433167-39130	1	SPACER			

10. Clutch, Sprocket(Sr/Nr 36023861 and after)



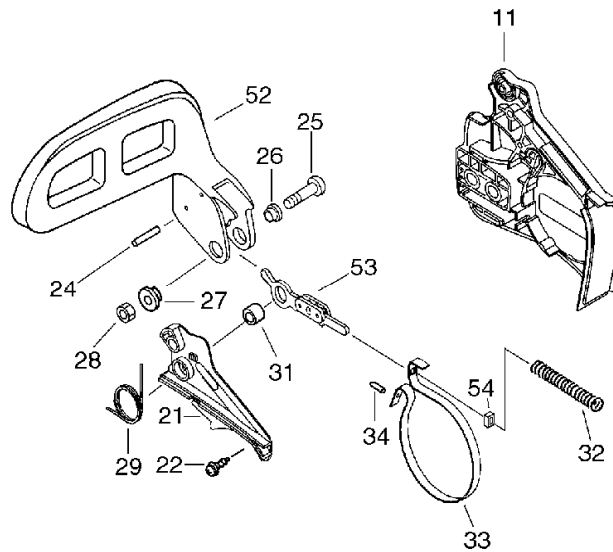
KEY	LV	PART NUMBER	Q'TY	DESCRIPTION	REMARKS	NOTE1	NOTE2
27		V353-000060	1	COLLAR,5			
28		900562-50005	1	LOCKNUT 5	5		
29		V452-000110	1	SPRING,TORSION			
31		433116-35430	1	SPACER 8	8*12*9		
32		V450-000070	1	SPRING,COMPRESSION			
33		C328-000030	1	BAND,BRAKE			
34		93050-30098	1	ROLLER	F3*9.8		
42		X502-000020	1	LABEL,ECHO		Sus. by X502-000340	
42		X502-000340	1	LABEL,ECHO	ECHO(WHITE)		
49		431010-39930	1	CHAIN, SAW 91VS-47E	91VS-47E		
49		431019-39930	1	CHAIN, SAW 91VS-53E	91VS-53E		
49		431011-39430	1	CHAIN, SAW 91VS-58E	91VS-58E		
50		X122-000071	1	BAR,GUIDE30RC50M-3/8	30RC50M-3/8 ECHO		
50		X123-000131	1	BAR,GUIDE35RC50M-3/8	35RC50M-3/8		
50		430211-13432	1	BAR,GUIDE 40RC50-3/8	40RC50-3/8		
52		C320-000045	1	LEVER,BRAKE		Sus. by C320-000046	
52		C320-000046	1	LEVER,BRAKE			
53		C334-000070	1	CONNECTOR,BRAKE			
54		V376-000450	1	SPACER			

11. Chain Brake Assy(Sr/Nr 36023860 and before)



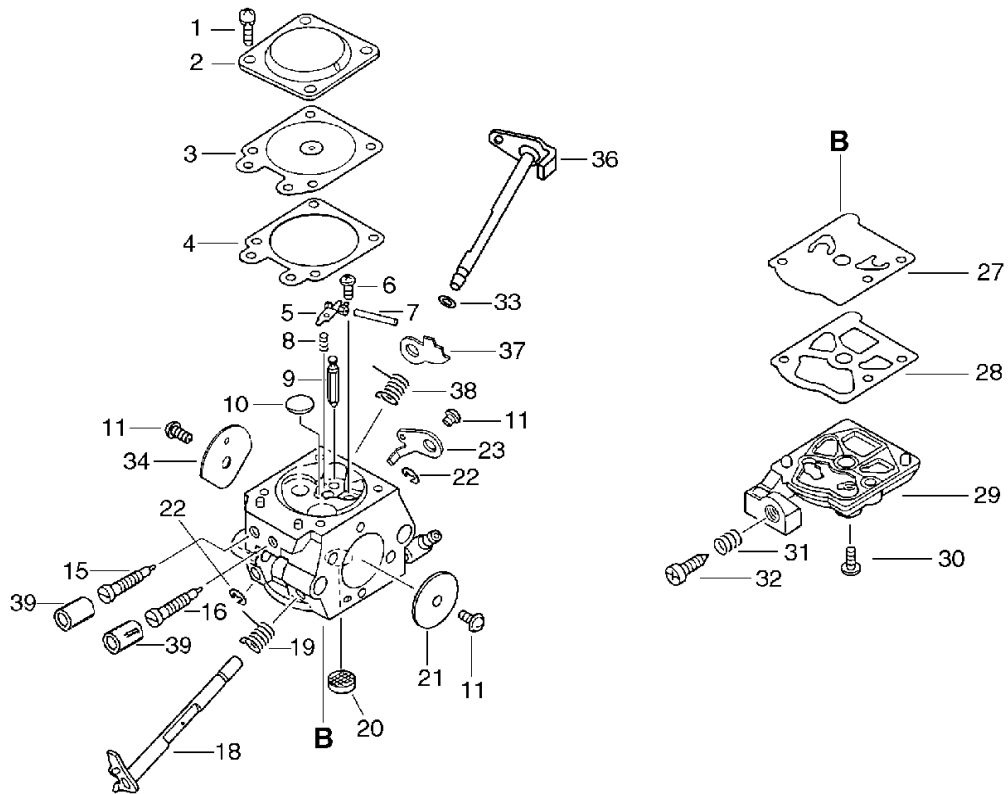
KEY	LV	PART NUMBER	Q'TY	DESCRIPTION	REMARKS	NOTE1	NOTE2
		C032-000213	1	BRAKE,ASM CHAIN		Sus. by C032-000214	
		C032-000214	1	BRAKE,ASM CHAIN		Sus. by C032-000215	
11	+	C300-000241	1	GUARD,SPROCKET		Sus. by C032-000242	
11	+	C032-000242	1	BRAKE,ASM CHAIN			
21	+	C345-000084	1	COVER,BRAKE			
22	+	900253-04012	3	SCREW	4*12		
24	+	900330-30260	2	ROLLER 3*26	3*26		
25	+	91318-05032	1	SCREW	5*32		
26	+	433167-39130	1	SPACER			
27	+	V353-000060	1	COLLAR,5			
28	+	900562-50005	1	LOCKNUT 5	5		
29	+	V452-000110	1	SPRING,TORSION			
31	+	433116-35430	1	SPACER 8	8*12*9		
32	+	V450-000070	1	SPRING,COMPRESSION			
33	+	C328-000030	1	BAND,BRAKE			
34	+	93050-30098	1	ROLLER	F3*9.8		
52	+	C320-000045	1	LEVER,BRAKE		Sus. by C320-000046	
53	+	C334-000070	1	CONNECTOR,BRAKE			
54	+	V376-000450	1	SPACER			

12. Chain Brake Assy(Sr/Nr 36023861 and after)



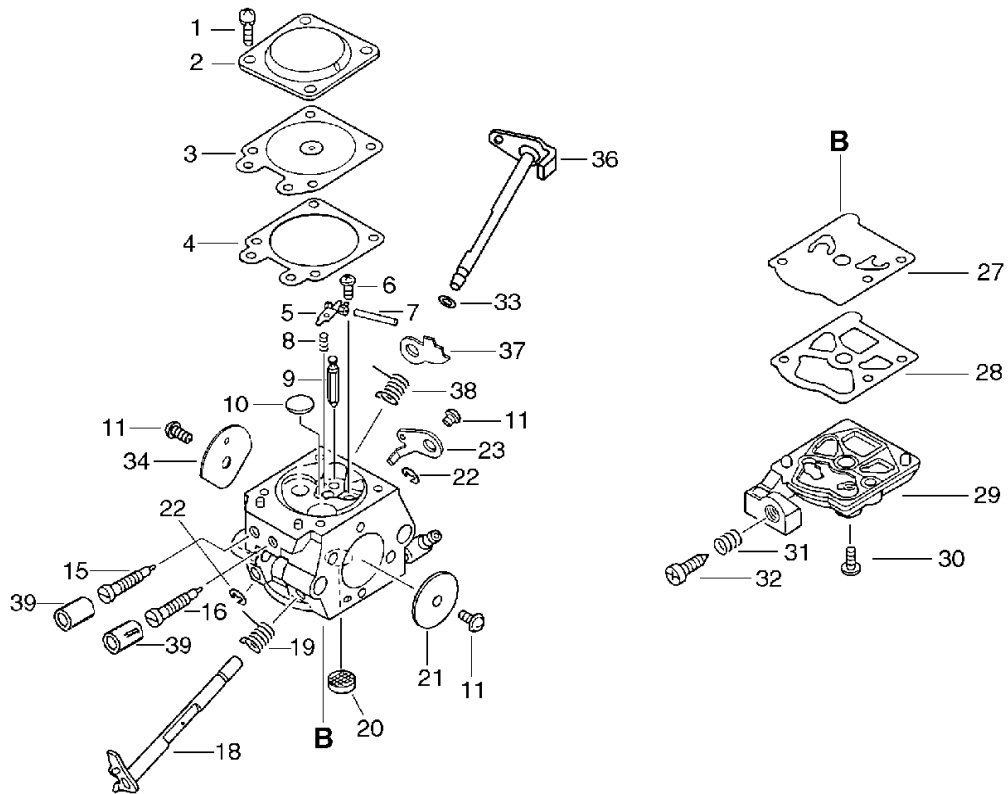
KEY	LV	PART NUMBER	Q'TY	DESCRIPTION	REMARKS	NOTE1	NOTE2
		C032-000213	1	BRAKE,ASM CHAIN		Sus. by C032-000214	
		C032-000214	1	BRAKE,ASM CHAIN		Sus. by C032-000215	
		C032-000215	1	BRAKE,ASM CHAIN			
11	+	C300-000241	1	GUARD,SPROCKET		Sus. by C300-000242	
11	+	C300-000242	1	GUARD,SPROCKET			
21	+	C345-000084	1	COVER,BRAKE			
22	+	900253-04012	3	SCREW	4*12		
24	+	900330-30260	2	ROLLER 3*26	3*26		
25	+	91318-05032	1	SCREW	5*32		
26	+	433167-39130	1	SPACER			
27	+	V353-000060	1	COLLAR,5			
28	+	900562-50005	1	LOCKNUT 5	5		
29	+	V452-000110	1	SPRING,TORSION			
31	+	433116-35430	1	SPACER 8	8*12*9		
32	+	V450-000070	1	SPRING,COMPRESSION			
33	+	C328-000030	1	BAND,BRAKE			
34	+	93050-30098	1	ROLLER	F3*9.8		
52	+	C320-000045	1	LEVER,BRAKE		Sus. by C320-000046	
52	+	C320-000046	1	LEVER,BRAKE			
53	+	C334-000070	1	CONNECTOR,BRAKE			
54	+	V376-000450	1	SPACER			

13. Carburetor



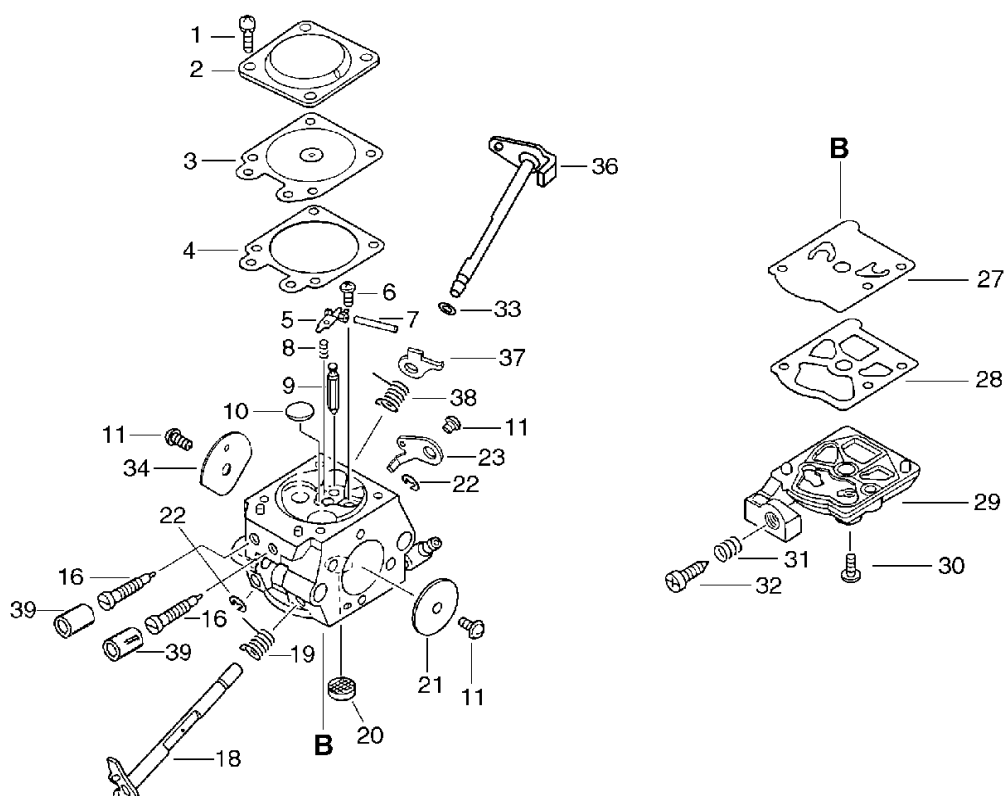
KEY	LV	PART NUMBER	Q'TY	DESCRIPTION	REMARKS	NOTE1	NOTE2
		A021-001020	1	CARBURETOR,DIAPHRAGM	WT-772	Sus. by A021-001021	
		A021-001021	1	CARBURETOR,DIAPHRAGM	WT-722A	Sr/Nr 36007690 and before	
1	+	123130-02960	4	SCREW			
2	+	123142-03930	1	COVER, M. DIAPHRAGM			
3	+	123141-03930	1	DIAPHRAGM, METERING			
4	+	123140-27230	1	GASKET,M. DIAPHRAGM			
5	+	123123-03930	1	LEVER, METERING			
6	+	123139-03930	1	SCREW, M. LEVER PIN			
7	+	123138-03930	1	PIN, METERING LEVER			
8	+	123122-39830	1	SPRING, METER. LEVER			
9	+	123137-19830	1	VALVE, INLET NEEDLE			
10	+	123146-10631	1	PLUG, WELCH			
11	+	123114-38830	3	SCREW			
15	+	123120-43131	1	NEEDLE, HIGH SPEED			
16	+	123118-02261	1	NEEDLE			
18	+	P003-000480	1	SHAFT,THROTTLE			
19	+	123113-37530	1	SPRING, THROTTLE RTN			
20	+	123126-10631	1	SCREEN, INLET			
21	+	123116-03930	1	VALVE, THROTTLE		Sr/Nr 36004400 and before	
21	+	123116-10530	1	VALVE, THROTTLE		Sr/Nr 36004401 to 36007690	
22	+	123127-15030	2	RING			

13. Carburetor



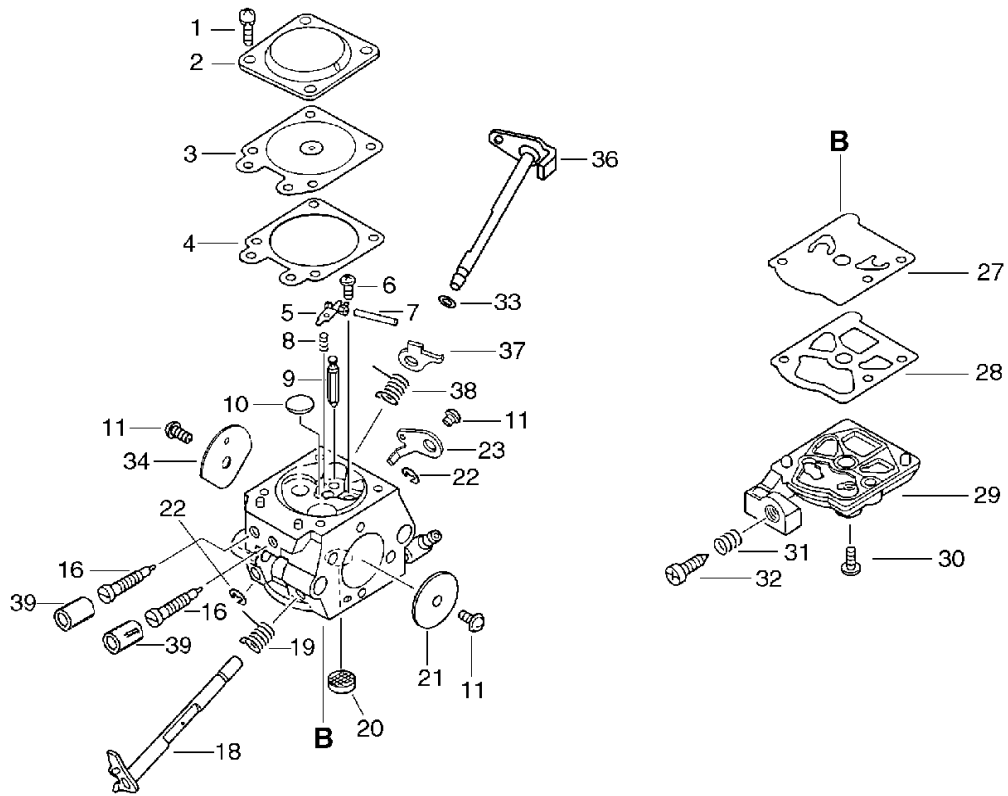
KEY	LV	PART NUMBER	Q'TY	DESCRIPTION	REMARKS	NOTE1	NOTE2
23	+	P003-001040	1	LEVER THROTTLE			
27	+	123112-15030	1	DIAPHRAGM, FUEL PUMP			
28	+	123125-15030	1	GASKET, FUEL PUMP			
29	+	123124-24430	1	COVER, FUEL PUMP			
30	+	123110-03930	1	SCREW, PUMP COVER			
31	+	123133-04260	1	SPRING, IDLE ADJUST			
32	+	123134-04260	1	SCREW, IDLE ADJUST			
33	+	123149-26030	1	WASHER			
34	+	123132-37330	1	VALVE, CHOKE			
36	+	P003-001140	1	SHAFT, CHOKE			
37	+	P003-000160	1	LEVER-FAST IDLE		Sr/Nr 36004400 and before	
37	+	P003-001480	1	LEVER-FAST IDLE		Sr/Nr 36004401 to 36007690	
38	+	P003-000140	1	SPRING		Sr/Nr 36004400 and before	
38	+	P003-001470	1	SPRING		Sr/Nr 36004401 to 36007690	
39	+	P003-000010	2	LIMITER CAP			

14. Carburetor



KEY	LV	PART NUMBER	Q'TY	DESCRIPTION	REMARKS	NOTE1	NOTE2
		A021-001190	1	CARBURETOR,DIAPHRAGM	WT-721 JX-3536C	Sus. by A021-001191	
		A021-001191	1	CARBURETOR,DIAPHRAGM	WT-721A	Sr/Nr 36007691 and after	
1	+	123130-02960	4	SCREW			
2	+	123142-03930	1	COVER, M. DIAPHRAGM			
3	+	123141-03930	1	DIAPHRAGM, METERING			
4	+	123140-27230	1	GASKET,M. DIAPHRAGM			
5	+	123123-03930	1	LEVER, METERING			
6	+	123139-03930	1	SCREW, M. LEVER PIN			
7	+	123138-03930	1	PIN, METERING LEVER			
8	+	123122-39830	1	SPRING, METER. LEVER			
9	+	123137-19830	1	VALVE, INLET NEEDLE			
10	+	123146-10631	1	PLUG, WELCH			
11	+	123114-38830	3	SCREW			
16	+	123118-02261	2	NEEDLE			
18	+	P003-000480	1	SHAFT,THROTTLE			
19	+	123113-37530	1	SPRING, THROTTLE RTN			
20	+	123126-10631	1	SCREEN, INLET			
21	+	123116-10530	1	VALVE, THROTTLE			
22	+	123127-15030	2	RING			
23	+	P003-001040	1	LEVER THROTTLE			
27	+	123112-15030	1	DIAPHRAGM, FUEL PUMP			
28	+	123125-15030	1	GASKET, FUEL PUMP			
29	+	123124-24430	1	COVER, FUEL PUMP			
30	+	123110-03930	1	SCREW, PUMP COVER			

14. Carburetor



KEY	LV	PART NUMBER	Q'TY	DESCRIPTION	REMARKS	NOTE1	NOTE2
31	+	123133-04260	1	SPRING, IDLE ADJUST			
32	+	123134-04260	1	SCREW, IDLE ADJUST			
33	+	123149-26030	1	WASHER			
34	+	123132-35430	1	VALVE, CHOKE			
36	+	P003-001140	1	SHAFT, CHOKE			
37	+	P003-001480	1	LEVER-FAST IDLE		Sus. by P003-001510	
37	+	P003-001510	1	LEVER-FAST IDLE			
38	+	P003-001470	1	SPRING			
39	+	P003-000010	2	LIMITER CAP			

Index

Patrs Number	Key No.	Patrs Number	Key No.	Patrs Number	Key No.
100011-13330	1 - 4	123139-03930	13 - 6	430211-13431	9 - 50
100013-15330	1 - 5	123139-03930	14 - 6	430211-13432	10 - 50
100014-60930	1 - 7	123140-27230	13 - 4	430211-13432	9 - 50
100015-04630	1 - 6	123140-27230	14 - 4	431010-39930	10 - 49
100142-12330	1 - 30	123141-03930	13 - 3	431010-39930	9 - 49
100910-18830	6 - 30	123141-03930	14 - 3	431011-39430	10 - 49
100918-14330	7 - 1	123142-03930	13 - 2	431011-39430	9 - 49
100918-14330	8 - 1	123142-03930	14 - 2	431019-39930	10 - 49
100918-15130	6 - 28	123146-10631	13 - 10	431019-39930	9 - 49
100918-15130	7 - 34	123146-10631	14 - 10	433011-03931	1 - 17
100918-15130	8 - 34	123149-26030	13 - 33	433019-03933	10 - 12
123110-03930	13 - 30	123149-26030	14 - 33	433019-03933	9 - 12
123110-03930	14 - 30	123181-39130	6 - 23	433026-35430	1 - 25
123112-15030	13 - 27	131205-14930	6 - 19	433026-35430	1 - 36
123112-15030	14 - 27	131300-56430	6 - 21	433116-35430	10 - 31
123113-37530	13 - 19	132013-09820	6 - 18	433116-35430	11 - 31
123113-37530	14 - 19	132013-26630	6 - 12	433116-35430	12 - 31
123114-38830	13 - 11	132013-26630	6 - 12	433116-35430	9 - 31
123114-38830	14 - 11	132115-01461	6 - 13	433167-39130	10 - 26
123116-03930	13 - 21	132115-44330	6 - 20	433167-39130	11 - 26
123116-10530	13 - 21	145510-13931	2 - 4	433167-39130	12 - 26
123116-10530	14 - 21	145510-13931	3 - 4	433167-39130	9 - 26
123118-02261	13 - 16	150117-16430	4 - 10	436114-13930	6 - 9
123118-02261	14 - 16	150117-16430	5 - 10	436205-02832	6 - 10
123120-43131	13 - 15	156110-04920	4 - 12	890157-39130	7 - 28
123122-39830	13 - 8	156110-04920	5 - 12	890157-39130	8 - 28
123122-39830	14 - 8	159010-10230	4 - 13	890345-39230	7 - 29
123123-03930	13 - 5	159010-10230	5 - 13	890345-39230	8 - 29
123123-03930	14 - 5	163400-38430	7 - 10	895410-03930	2 - 40
123124-24430	13 - 29	163400-38430	8 - 10	895410-03930	3 - 40
123124-24430	14 - 29	163911-30130	1 - 22	895812-03930	2 - 41
123125-15030	13 - 28	175005-39132	10 - 3	895812-03930	3 - 41
123125-15030	14 - 28	175005-39132	9 - 3	898568-14530	2 - 39
123126-10631	13 - 20	175012-00831	10 - 4	898568-14530	3 - 39
123126-10631	14 - 20	175012-00831	9 - 4	900106-05020	1 - 19
123127-15030	13 - 22	175012-35630	9 - 4	900106-05020	1 - 24
123127-15030	14 - 22	175014-39130	9 - 10	900106-05030	1 - 24
123130-02960	13 - 1	175014-39131	10 - 10	900162-05025	1 - 2
123130-02960	14 - 1	175014-39131	9 - 10	900238-04012	6 - 4
123132-35430	14 - 34	177234-35430	4 - 3	900238-05022	4 - 9
123132-37330	13 - 34	177234-35430	5 - 3	900238-05022	5 - 9
123133-04260	13 - 31	177236-61830	4 - 29	900238-05050	7 - 16
123133-04260	14 - 31	177236-61830	5 - 29	900238-05050	8 - 16
123134-04260	13 - 32	177247-04630	4 - 5	900250-04008	2 - 7
123134-04260	14 - 32	177247-04630	5 - 5	900250-04008	3 - 7
123137-19830	13 - 9	178043-35430	7 - 23	900253-04008	7 - 6
123137-19830	14 - 9	178043-35430	8 - 23	900253-04008	8 - 6
123138-03930	13 - 7	178090-37930	7 - 20	900253-04010	1 - 18
123138-03930	14 - 7	178090-37930	8 - 20	900253-04012	10 - 15

Index

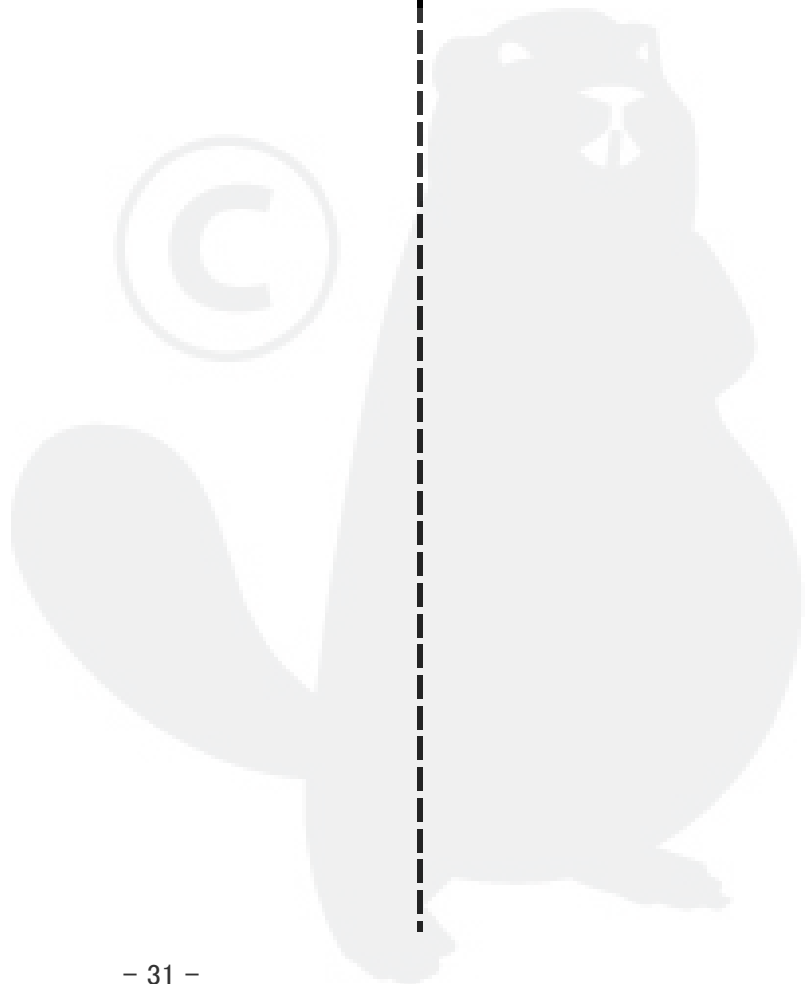
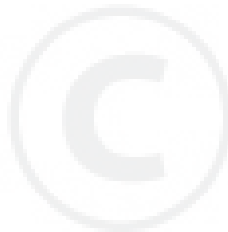
Patrs Number	Key No.	Patrs Number	Key No.	Patrs Number	Key No.
900253-04012	10 - 22	A021-001021	7 - 25	A507-000020	4 - 28
900253-04012	1 - 29	A021-001190	14 -	A507-000021	4 - 28
900253-04012	11 - 22	A021-001190	7 - 25	A507-000021	5 - 28
900253-04012	12 - 22	A021-001191	14 -	A514-000020	4 - 4
900253-04012	7 - 19	A021-001191	7 - 25	A514-000020	5 - 4
900253-04012	8 - 19	A021-001191	8 - 25	A551-000010	10 - 9
900253-04012	9 - 15	A051-000800	4 - 20	A551-000010	9 - 9
900253-04012	9 - 22	A051-000801	4 - 20	A552-000020	10 - 6
900253-04016	10 - 2	A051-000802	4 - 20	A552-000020	9 - 6
900253-04016	7 - 33	A051-000802	5 - 20	C022-000000	6 - 2
900253-04016	8 - 33	A056-000070	10 - 5	C022-000020	6 - 2
900253-04016	9 - 2	A056-000070	9 - 5	C032-000213	11 -
900253-05020	1 - 26	A101-000120	1 - 4	C032-000213	12 -
900253-05020	1 - 28	A172-000500	4 - 18	C032-000214	11 -
900253-05020	7 - 7	A172-000501	4 - 18	C032-000214	12 -
900253-05020	8 - 7	A172-000501	5 - 18	C032-000215	12 -
900256-04016	4 - 30	A202-000033	7 - 40	C032-000242	11 - 11
900256-04016	5 - 30	A202-000033	8 - 40	C300-000241	10 - 11
900330-30260	10 - 24	A204-000060	7 - 17	C300-000241	11 - 11
900330-30260	11 - 24	A204-000060	8 - 17	C300-000241	12 - 11
900330-30260	12 - 24	A226-000260	7 - 12	C300-000241	9 - 11
900330-30260	9 - 24	A226-000260	8 - 12	C300-000242	10 - 11
900345-40025	7 - 24	A232-000191	7 - 13	C300-000242	12 - 11
900345-40025	8 - 24	A232-000191	8 - 13	C304-000000	1 - 27
900515-00008	4 - 2	A235-000140	7 - 15	C305-000070	1 - 15
900515-00008	5 - 2	A235-000140	8 - 15	C309-000030	10 - 16
900562-50005	10 - 28	A239-000030	6 - 27	C309-000030	9 - 16
900562-50005	11 - 28	A241-000060	7 - 27	C320-000045	10 - 52
900562-50005	12 - 28	A241-000060	8 - 27	C320-000045	11 - 52
900562-50005	9 - 28	A300-000370	2 - 2	C320-000045	12 - 52
900603-00005	4 - 6	A300-000370	3 - 2	C320-000045	9 - 52
900603-00005	5 - 6	A301-000000	2 - 5	C320-000046	10 - 52
900720-00018	6 - 6	A301-000000	3 - 5	C320-000046	12 - 52
900720-00018	6 - 6	A320-000181	9 - 1	C328-000030	10 - 33
91107-05040	2 - 6	A320-000182	9 - 1	C328-000030	11 - 33
91107-05040	3 - 6	A320-000183	10 - 1	C328-000030	12 - 33
91318-05032	10 - 25	A320-000183	9 - 1	C328-000030	9 - 33
91318-05032	11 - 25	A365-000050	6 - 7	C334-000070	10 - 53
91318-05032	12 - 25	A365-000050	6 - 7	C334-000070	11 - 53
91318-05032	9 - 25	A409-000170	4 - 1	C334-000070	12 - 53
91420-05012	1 - 32	A409-000170	5 - 1	C334-000070	9 - 53
93050-30098	10 - 34	A411-000150	4 - 8	C345-000084	10 - 21
93050-30098	11 - 34	A411-000150	5 - 8	C345-000084	11 - 21
93050-30098	12 - 34	A426-000000	4 - 14	C345-000084	12 - 21
93050-30098	9 - 34	A426-000000	5 - 14	C345-000084	9 - 21
94035-36201	1 - 10	A427-000000	4 - 15	C400-000320	7 - 4
A021-001020	13 -	A427-000000	5 - 15	C400-000320	8 - 4
A021-001020	7 - 25	A506-000030	4 - 26	C410-000250	7 - 11
A021-001021	13 -	A506-000030	5 - 26	C410-000251	7 - 11

Index

Patrs Number	Key No.	Patrs Number	Key No.	Patrs Number	Key No.
C411-000000	7 - 18	P021-008740	1 - 20	V420-001110	1 - 16
C411-000001	7 - 18	P021-008741	1 - 20	V424-000000	7 - 32
C411-000001	8 - 18	P021-009230	1 - 3	V424-000000	8 - 32
C450-000140	7 - 22	P021-009250	1 - 1	V450-000070	10 - 32
C450-000140	8 - 22	P021-009930	3 - 1	V450-000070	11 - 32
C454-000090	7 - 21	P021-010701	1 - 9	V450-000070	12 - 32
C454-000110	7 - 21	P021-010890	6 - 1	V450-000070	9 - 32
C454-000110	8 - 21	P021-011540	7 - 11	V451-000470	10 - 8
C617-000200	7 - 5	P021-011540	8 - 11	V451-000470	9 - 8
C617-000200	8 - 5	P022-001330	4 - 24	V452-000110	10 - 29
P003-000010	13 - 39	P022-001330	5 - 24	V452-000110	11 - 29
P003-000010	14 - 39	P022-005890	4 - 23	V452-000110	12 - 29
P003-000140	13 - 38	P022-005890	5 - 23	V452-000110	9 - 29
P003-000160	13 - 37	P022-008440	4 - 25	V452-000140	7 - 23
P003-000480	13 - 18	P022-008440	5 - 25	V452-000220	4 - 27
P003-000480	14 - 18	P022-009770	4 - 21	V452-000220	5 - 27
P003-001040	13 - 23	P022-009771	4 - 21	V470-000320	6 - 17
P003-001040	14 - 23	P022-009771	5 - 21	V470-000481	1 - 35
P003-001140	13 - 36	V130-000010	7 - 26	V471-000740	6 - 11
P003-001140	14 - 36	V130-000010	8 - 26	V471-000750	6 - 16
P003-001470	13 - 38	V137-000000	6 - 22	V471-000760	6 - 14
P003-001470	14 - 38	V142-000020	8 - 38	V471-001290	6 - 25
P003-001480	13 - 37	V186-000020	6 - 26	V471-001440	6 - 24
P003-001480	14 - 37	V202-000020	6 - 29	V475-002390	4 - 16
P003-001510	14 - 37	V202-000020	7 - 2	V475-002390	4 - 16
P021-001980	6 - 1	V202-000020	8 - 2	V475-002390	5 - 16
P021-004921	1 - 1	V203-000041	10 - 17	V475-002390	5 - 16
P021-004932	1 - 3	V203-000041	9 - 17	V485-000550	4 - 11
P021-004940	1 - 9	V203-000080	4 - 7	V485-000550	5 - 11
P021-004941	1 - 9	V203-000080	5 - 7	V485-000560	7 - 8
P021-004952	2 - 1	V308-000030	6 - 31	V485-000560	8 - 8
P021-004952	3 - 1	V341-000040	1 - 21	V485-000570	7 - 9
P021-005511	1 - 9	V353-000060	10 - 27	V485-000571	7 - 9
P021-005581	6 - 8	V353-000060	11 - 27	V485-000571	8 - 9
P021-005591	6 - 5	V353-000060	12 - 27	V505-000010	1 - 11
P021-005732	1 - 31	V353-000060	9 - 27	V553-000040	1 - 8
P021-005810	10 - 7	V355-000140	10 - 20	V582-000020	7 - 14
P021-005810	9 - 7	V355-000140	9 - 20	V582-000020	8 - 14
P021-006951	2 - 38	V356-000290	6 - 32	V651-000001	10 - 19
P021-006951	3 - 38	V359-000060	1 - 34	V651-000001	9 - 19
P021-008650	2 - 3	V376-000450	10 - 54	V651-000011	10 - 18
P021-008650	3 - 3	V376-000450	11 - 54	V651-000011	9 - 18
P021-008670	1 - 23	V376-000450	12 - 54	V652-000010	1 - 12
P021-008671	1 - 23	V376-000450	9 - 54	V652-000010	6 - 3
P021-008672	1 - 23	V400-000040	7 - 30	V652-000030	6 - 3
P021-008673	1 - 23	V400-000041	7 - 30	X122-000070	9 - 50
P021-008674	1 - 23	V400-000041	8 - 30	X122-000071	10 - 50
P021-008675	1 - 23	V401-000120	7 - 3	X122-000071	9 - 50
P021-008676	1 - 23	V401-000120	8 - 3	X123-000070	9 - 50

Index

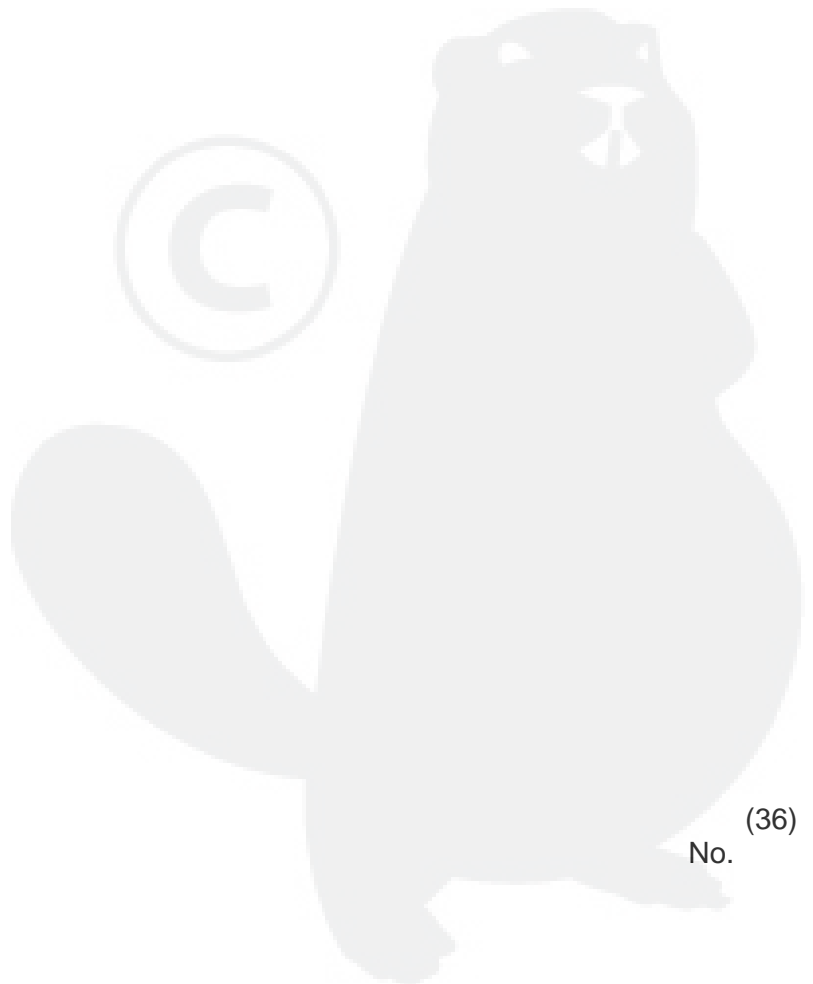
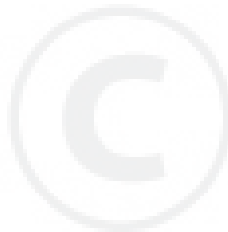
Patrs Number	Key No.	Patrs Number	Key No.	Patrs Number	Key No.
X123-000131	10 - 50				
X123-000131	9 - 50				
X502-000020	10 - 42				
X502-000020	9 - 42				
X502-000100	4 - 31				
X502-000100	5 - 31				
X502-000101	4 - 31				
X502-000101	5 - 31				
X502-000340	10 - 42				
X503-006200	7 - 37				
X503-006200	8 - 37				
X503-008180	8 - 37				
X505-000180	4 - 32				
X505-000180	5 - 32				
X530-000210	5 - 33				



YAMABIKO CORPORATION

7-2 SUEHIROCHO 1-CHOME, OHME, TOKYO 198-8760, JAPAN
PHONE: 81-428-32-6118. FAX: 81-428-32-6145.

ECHO[®]



(36)
No.