



PARTS CATALOG

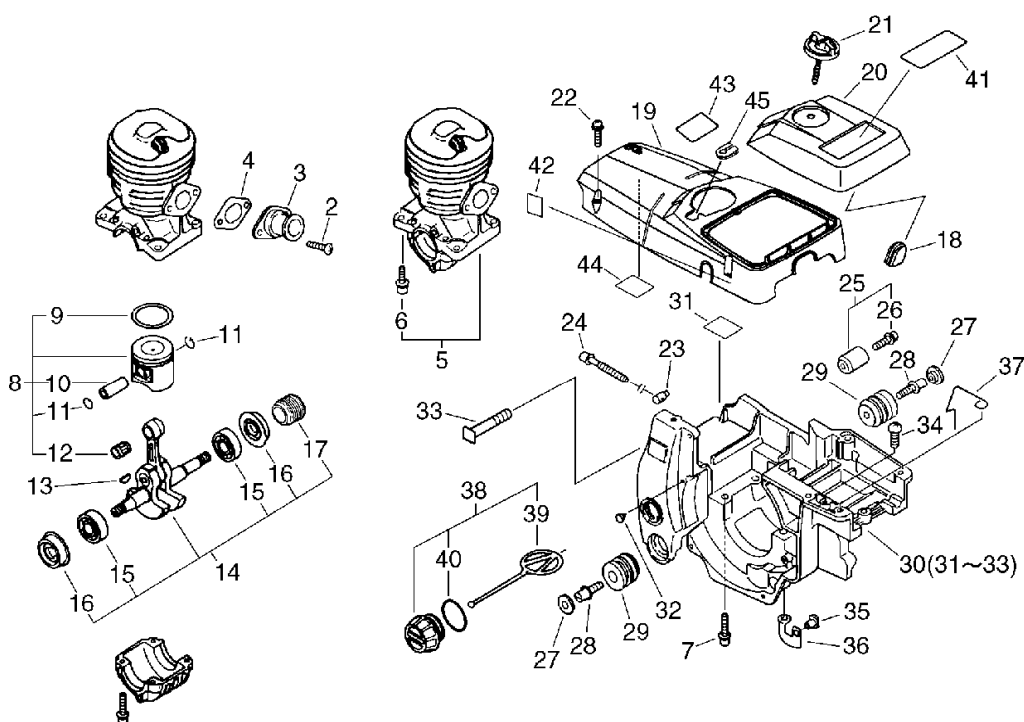
CHAIN SAW

CS-3700



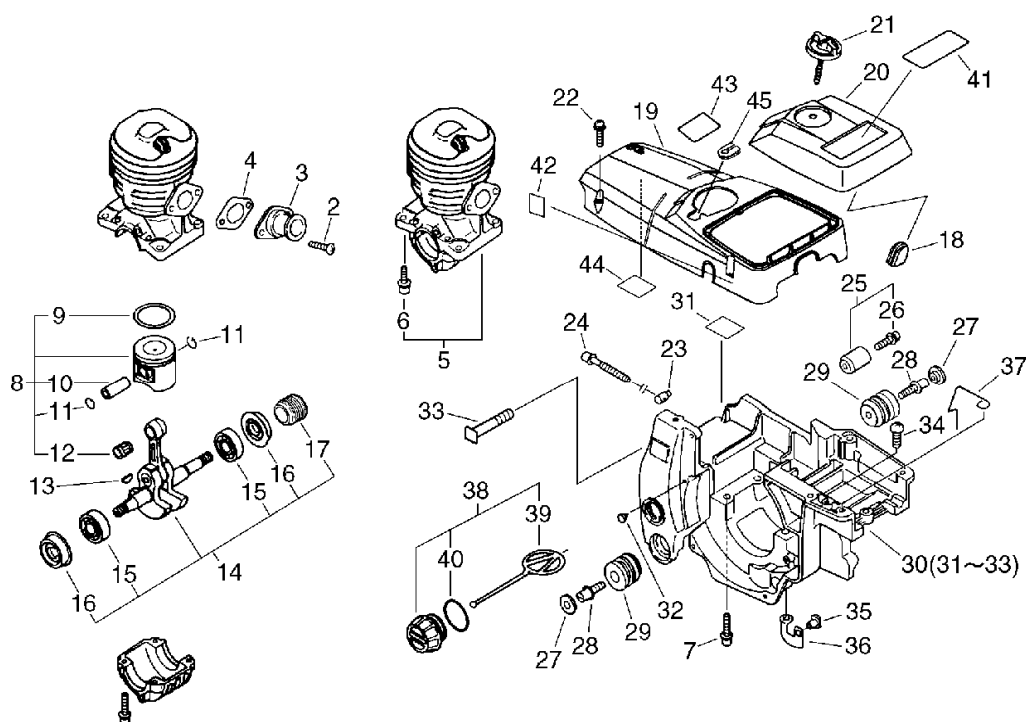
CS-3700

1. Cylinder, Crankcase, Piston



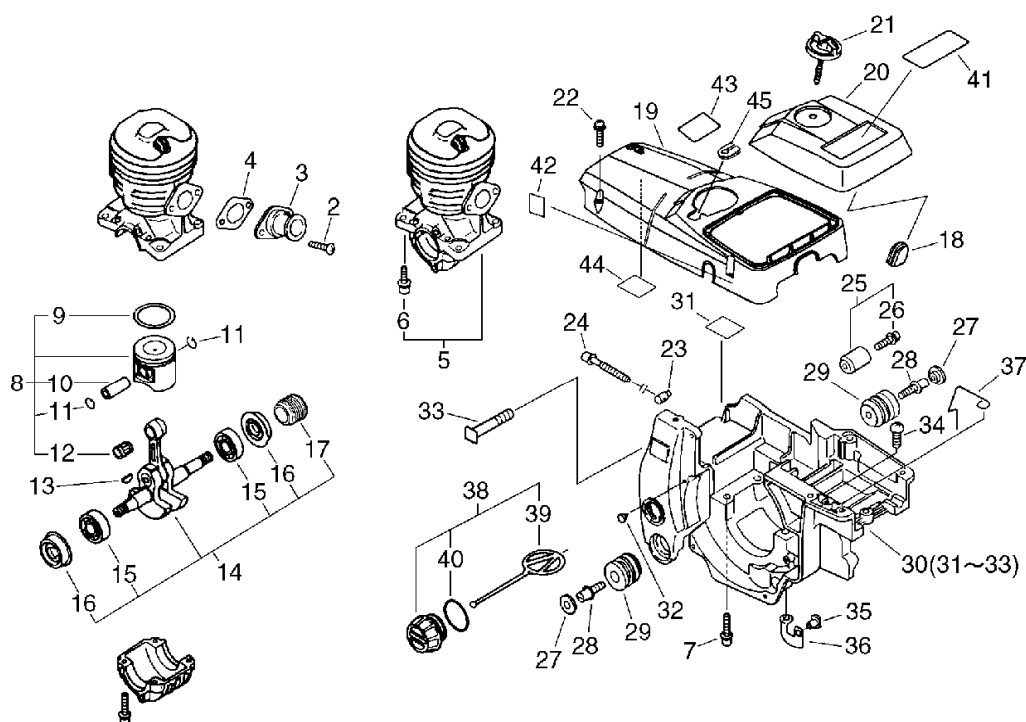
KEY	LV	PART NUMBER	Q'TY	DESCRIPTION	REMARKS	NOTE1	NOTE2
2		900238-05012	2	SCREW 5*12	5*12		
3		130510-39930	1	ADAPTER, INTAKE		Sus. by 130510-39932	
3		130510-39931	1	ADAPTER, INTAKE		Sus. by 130510-39932	
3		130510-39932	1	ADAPTER, INTAKE			
4		130016-39930	1	GASKET, INTAKE			
5		P021-000040	1	SET,CRANKCASE		Sus. by P021-004100	
5		P021-004100	1	CRANKCASE SET			
6	+	900162-05022	4	BOLT, H.S. 5*22	5*22 W,SW		
7		900162-05030	4	BOLT, H.S. 5*30	5*30 W,SW		
8		100000-60630	1	PISTON KIT		Sus. by 100000-60631	
8		100000-60631	1	PISTON KIT			
9	+	100011-13330	1	RING, PISTON			
10	+	100013-35430	1	PIN, PISTON	6*9*27.8		
11	+	100015-03930	2	CIRCLIP, PISTON PIN		Sus. by 100015-03931	
11	+	100015-03931	2	CIRCLIP, PISTON PIN			
12	+	100012-35430	1	BEARING, NEEDLE	9*12*12		
13		100142-39130	1	KEY, WOODRUFF			
14		100101-39930	1	CRANKSHAFT			
15	+	900888-36201	2	BEARING, BALL 6201	6201		
16	+	100213-38330	2	OILSEAL	15Z=12*35*6.4		

1. Cylinder, Crankcase, Piston



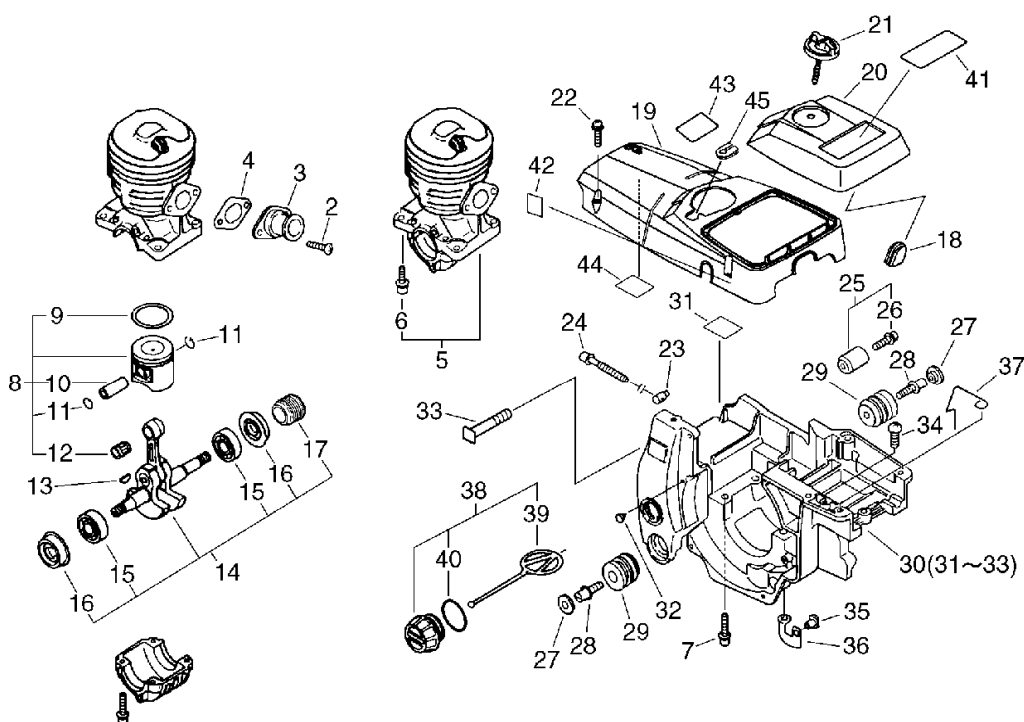
KEY	LV	PART NUMBER	Q'TY	DESCRIPTION	REMARKS	NOTE1	NOTE2
17	+	437063-38330	1	GEAR, WORM			
18		130338-32430	1	PLUG, COVER			
19		A160-000010	1	COVER,CYLINDER		Sus. by A160-000015	
19		A160-000011	1	COVER,CYLINDER		Sus. by A160-000015	
19		A160-000012	1	COVER,CYLINDER		Sus. by A160-000015	
19		A160-000013	1	COVER,CYLINDER		Sus. by A160-000015	
19		A160-000014	1	COVER,CYLINDER		Sus. by A160-000015	
19		A160-000015	1	COVER,CYLINDER		Sus. by A160-000015	
20		A232-000000	1	LID,CLEANER		Sus. by A232-000021	
20		A232-000020	1	LID,CLEANER		Sus. by A232-000021	
20		A232-000021	1	LID,CLEANER		Sus. by A232-000021	
21		A235-000000	1	KNOB,CLEANER LID		Sus. by A235-000020	
21		A235-000020	1	KNOB,CLEANER LID		Sus. by A235-000020	
22		900238-05025	3	SCREW 5*25	5*25		
23		433014-03931	1	TENSIONER		Sr/Nr 003890 and before	
24		433016-39131	1	BOLT		Sr/Nr 003890 and before	

1. Cylinder, Crankcase, Piston



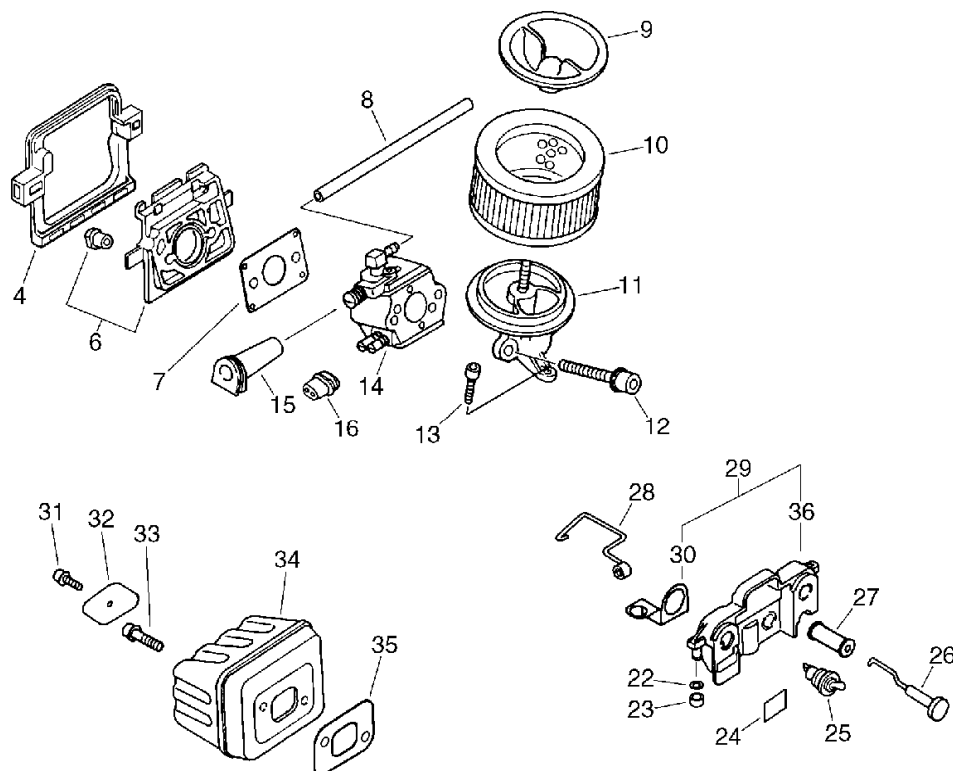
KEY	LV	PART NUMBER	Q'TY	DESCRIPTION	REMARKS	NOTE1	NOTE2
25		433000-60930	1	CATCHER KIT, CHAIN			
26	+	900253-05020	1	SCREW 5*20	5*20		
27		100918-19830	2	CAP, CUSHION			
28		100915-33930	2	SCREW			
29		100910-60030	2	CUSHION			
30		104008-60630	1	COVER, ENGINE	BS	Sus. by 104008-60633	
30		104008-60631	1	COVER, ENGINE		Sus. by 104008-60633	
30		104008-60632	1	COVER, ENGINE		Sus. by 104008-60633	
30		104008-60633	1	COVER, ENGINE			
31	+	101520-35430	1	COVER			
32	+	436114-13930	1	VALVE, CHECK			
33	+	433011-19830	2	STUD, GUIDE BAR			
34		900253-04008	1	SCREW 4*8	4*8		
35		130020-60630	2	NUT 5			
36		162011-60630	1	PLATE, GROUND			
37		606416-60630	1	WIRE			
38		436001-39231	1	CAP ASSY, TANK		Sus. by 436001-39232	
38		436001-39232	1	CAP, OIL			
39	+	131051-19830	1	LINK	60L	Sus. by A365-000050	
39	+	A365-000050	1	CONNECTOR,CAP			

1. Cylinder, Crankcase, Piston



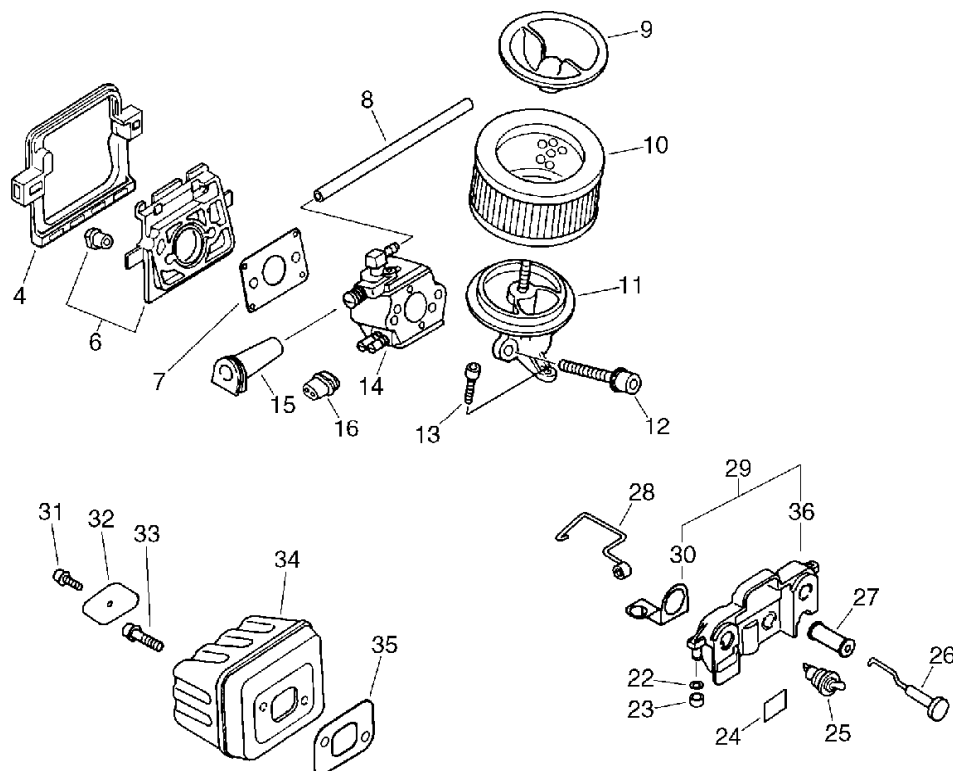
KEY	LV	PART NUMBER	Q'TY	DESCRIPTION	REMARKS	NOTE1	NOTE2
40	+	900725-02025	1	O-RING	JASO 2025	Sus. by 900721-00025	
40	+	900721-00025	1	O-RING 25	G-25	00025	
41		X503-000000	1	LABEL,MODEL			
42		890631-38130	1	LABEL, CAUTION			
43		890345-39230	1	LABEL,CAUTION			
44		101520-35430	1	COVER			
45		V135-000010	1	GROMMET,HT CORD		Sr/Nr 012161 and after	

2. Air Cleaner, Muffler



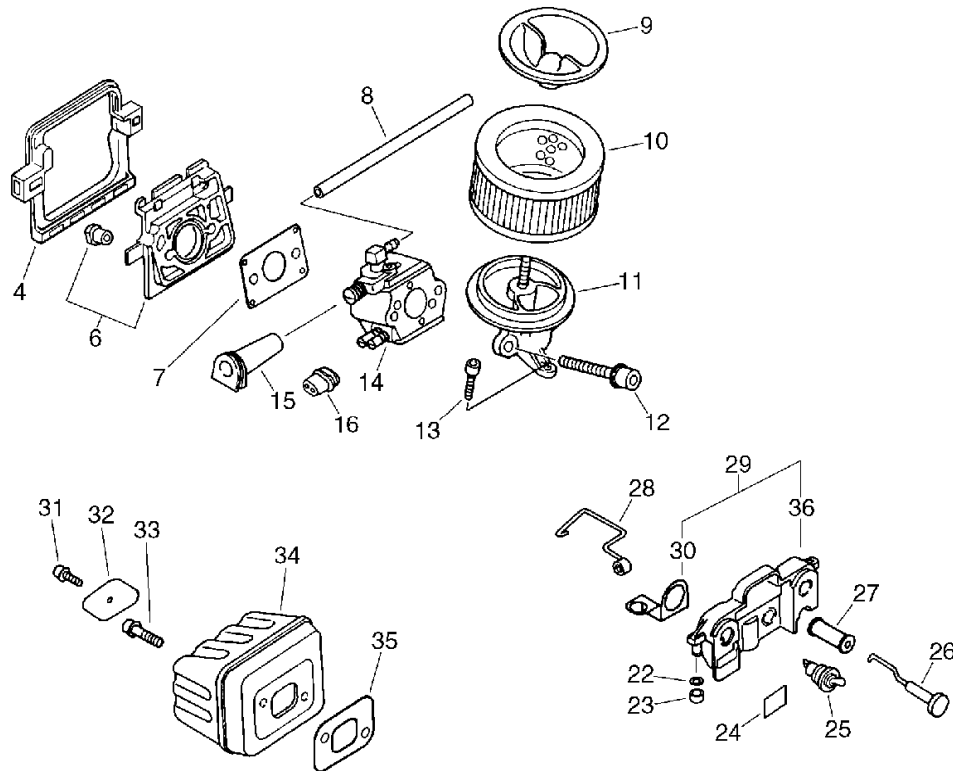
KEY	LV	PART NUMBER	Q'TY	DESCRIPTION	REMARKS	NOTE1	NOTE2
4		130366-39930	1	CUSHION			
6		130007-39930	1	INSULATOR		Sus. by 130007-39931	
6		130007-39931	1	INSULATOR			
7		130010-38330	1	GASKET, INTAKE			
8		130110-54430	1	PIPE, IMPULSE	3*6*105 NBR		
9		130405-38331	1	BRACKET, AIR CLEANER		Sus. by 130405-38332	
9		130405-38332	1	BRACKET, AIR CLEANER			
10		130300-39730	1	CLEANER ASM., AIR			
11		130301-39930	1	CASE, AIR CLEANER		Sus. by 130301-39934	
11		130301-39931	1	ADAPTER, INTAKE		Sus. by 130301-39934	
11		130301-39932	1	ADAPTER, INTAKE		Sus. by 130301-39934	
11		130301-39933	1	ADAPTER, INTAKE	ID #1230	Sus. by 130301-39934	
11		130301-39934	1	ADAPTER, INTAKE	ID #1230		
12		900162-05050	2	BOLT, H.S. 5*50	5*50 W,SW		
13		900253-05016	1	SCREW	5*16		
14		123000-38332	1	CARBURETOR ASSY	WT-201B		
15		129023-39930	1	GROMMET, IDLE			
16		129010-33330	1	GROMMET			
22		900600-00005	2	WASHER 5	5		
23		351134-39930	2	CUSHION			

2. Air Cleaner, Muffler



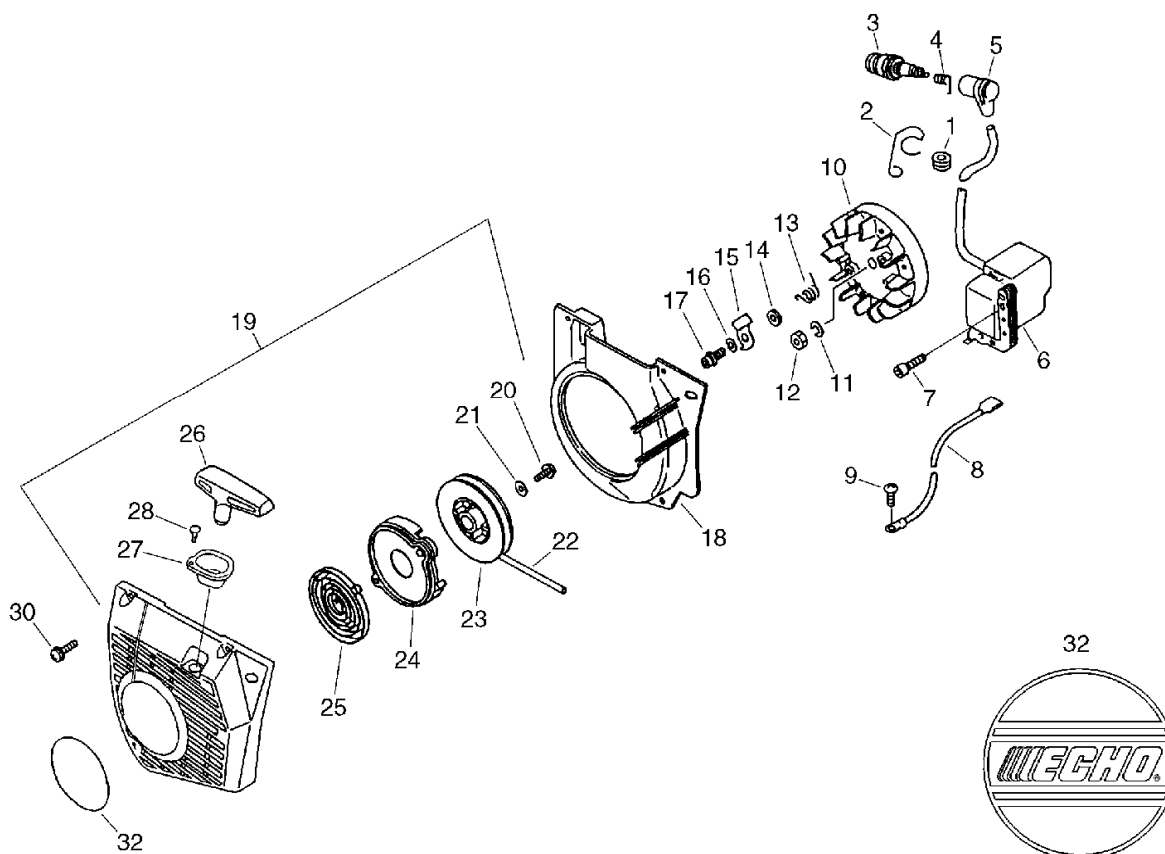
KEY	LV	PART NUMBER	Q'TY	DESCRIPTION	REMARKS	NOTE1	NOTE2
24		890157-39130	1	LABEL, SWITCH			
25		163400-35430	1	SWITCH, IGNITION			
26		178510-38330	1	ROD, CHOKE		Sus. by A241-000100	
26		178510-38331	1	ROD, CHOKE		Sus. by A241-000100	
26		A241-000100	1	KNOB, CHOKE			
27		178810-14531	1	GROMMET, CHOKE		Sus. by 178810-14534	
27		178810-14532	1	GROMMET		Sus. by 178810-14534	
27		178810-14533	1	GROMMET		Sus. by 178810-14534	
27		178810-14534	1	GROMMET			
28		178011-39930	1	ROD, THROTTLE			
29		163800-39930	1	BRACKET, SWITCH		Sus. by 163800-39934	
29		163800-39931	1	BRACKET, SWITCH		Sus. by 163800-39934	
29		163800-39932	1	BRACKET, SWITCH		Sus. by 163800-39934	
29		163800-39933	1	BRACKET, SWITCH		Sus. by 163800-39934	
29		163800-39934	1	BRACKET, SWITCH			
30	+	163413-59530	1	PLATE, CONTACT			

2. Air Cleaner, Muffler



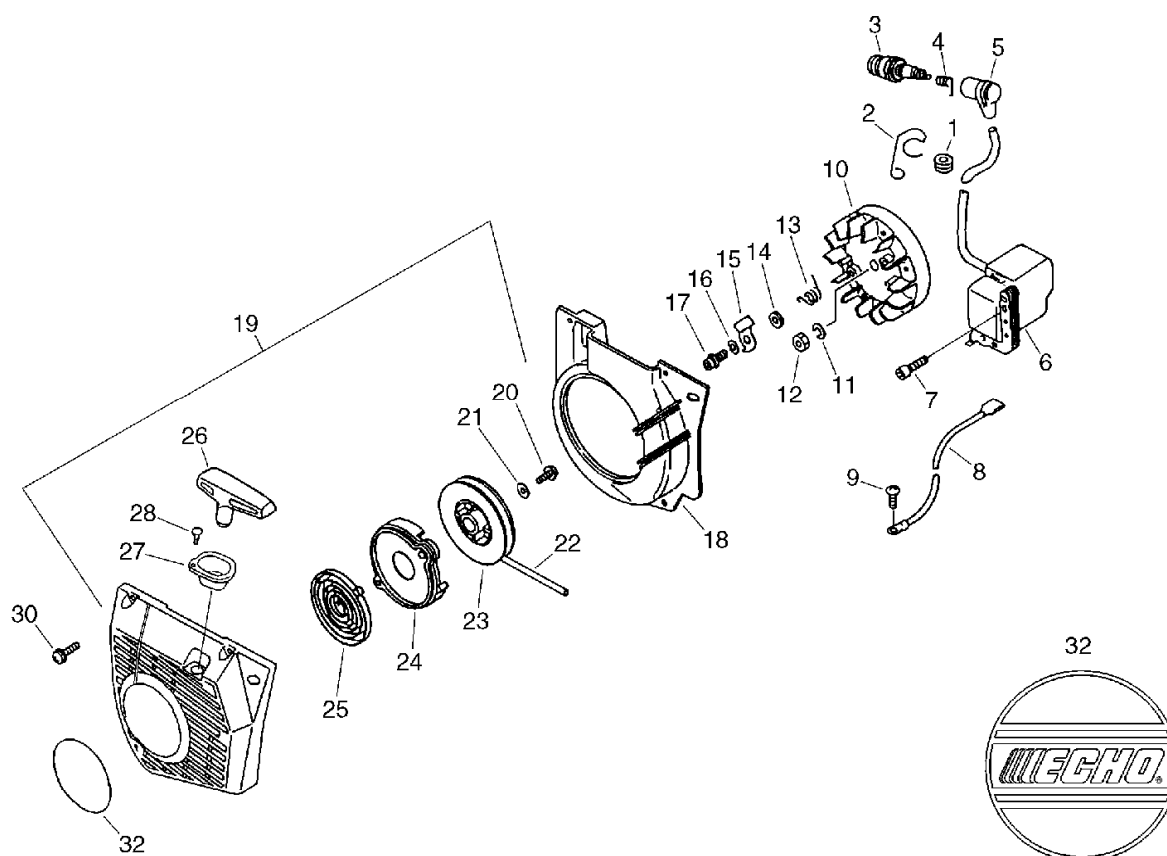
KEY	LV	PART NUMBER	Q'TY	DESCRIPTION	REMARKS	NOTE1	NOTE2
36	+	163810-59532	1	BRACKET, SWITCH		Sus. by 163810-59535	
36	+	163810-59533	1	BRACKET, SWITCH		Sus. by 163810-59535	
36	+	163810-59534	1	BRACKET, SWITCH		Sus. by 163810-59535	
36	+	163810-59535	1	BRACKET, SWITCH			
31		900105-04006	1	BOLT, H.S. 4*6	4*6		
32		145711-60630	1	STAY, MUFFLER		Sus. by 145711-60631	
32		145711-60631	1	STAY, MUFFLER			
33		900105-05014	2	BOLT, H.S. 5*14	5*14		
34		145610-39930	1	MUFFLER			
35		145510-35431	1	GASKET, MUFFLER			

3. Starter, Magneto



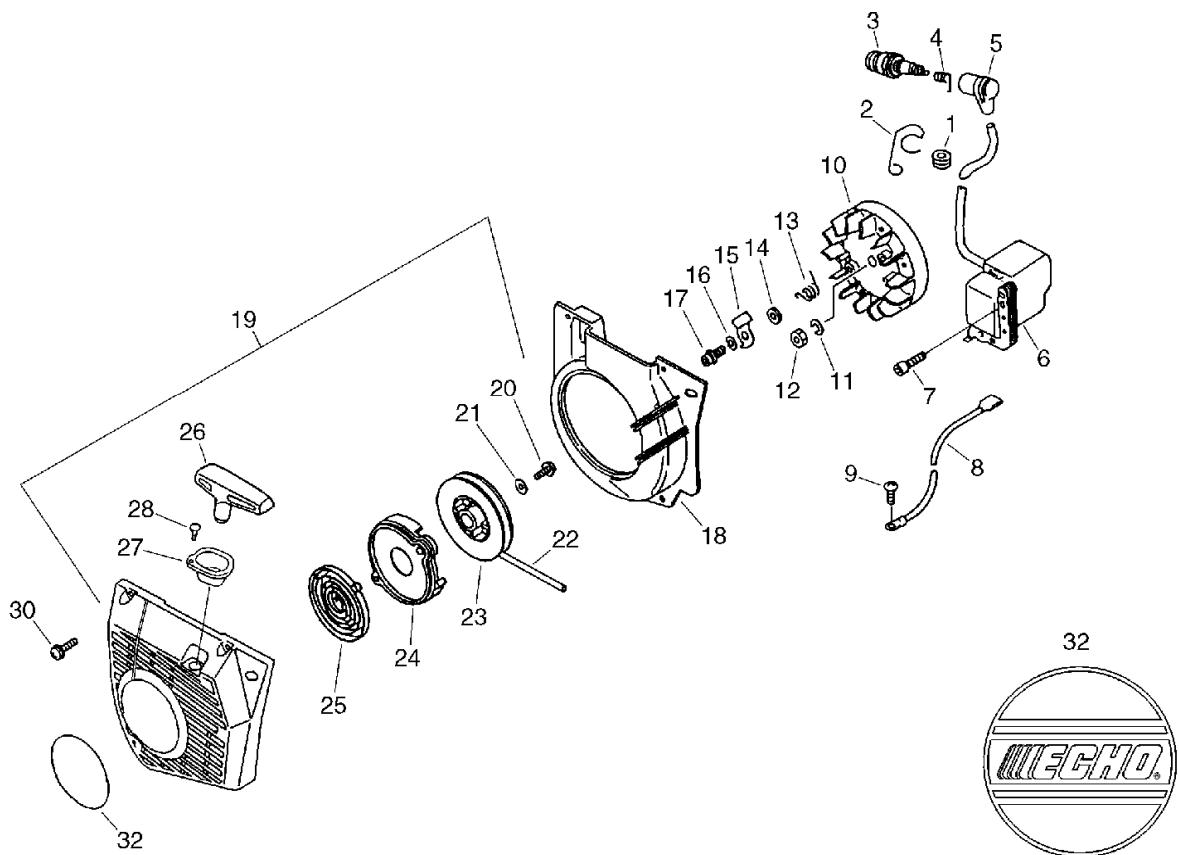
KEY	LV	PART NUMBER	Q'TY	DESCRIPTION	REMARKS	NOTE1	NOTE2
1		151112-04630	1	BUSHING			
2		159118-39930	1	GUIDE, CORD			
3		159017-31730	1	PLUG, SPARK RCJ-6Y	RCJ-6Y	Sus. by 159010-10230	
3		159010-10230	1	PLUG, SPARK (BPMR-7A)	BPMR-7A		
4		159011-03432	1	COIL, SPARK PLUG		Sr/Nr 012160 and before	
4		A426-000010	1	TERMINAL, SPARK PLUG		Sr/Nr 012161 and after	
5		159012-01620	1	CAP, SPARK PLUG		Sr/Nr 012160 and before	
5		A427-000010	1	CAP, SPARK PLUG		Sus. by A427-000012	
5		A427-000011	1	CAP, SPARK PLUG		Sus. by A427-000012	
5		A427-000012	1	CAP, SPARK PLUG		Sr/Nr 012161 and after	
6		156626-60630	1	COIL, IGNITION	EMG-44		
7		900162-05022	2	BOLT, H.S. 5*22	5*22 W.SW		
8		156630-39930	1	LEAD, GROUND			
9		900216-04006	1	SCREW	4*6		
10		156801-60630	1	FLYWHEEL	EGM-44		
11		900605-00008	1	WASHER, SPRING 8	8		
12		900500-00008	1	NUT 8	8*P1.25		
13		177234-35430	2	SPRING, RETURN			
14		177247-04630	2	SPACER, RATCHET	5.2*8*2.1		

3. Starter, Magneto



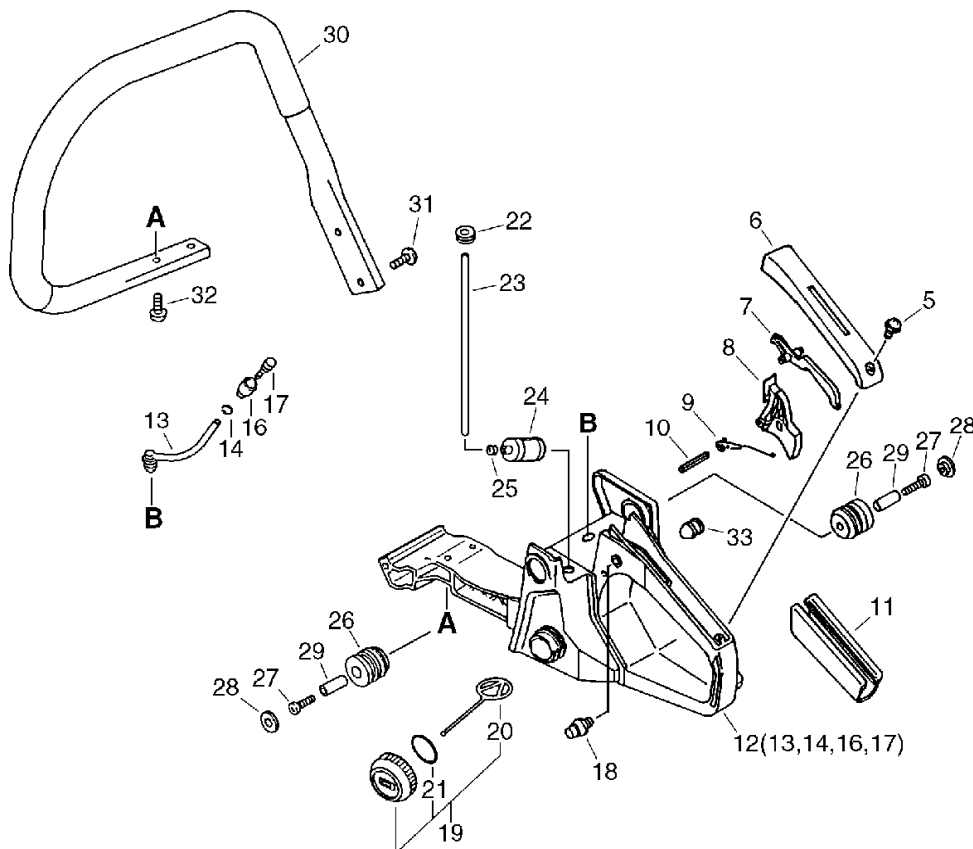
KEY	LV	PART NUMBER	Q'TY	DESCRIPTION	REMARKS	NOTE1	NOTE2
15		177218-35430	2	PAWL, STARTER			
16		900603-00005	2	WASHER 5	5.5*12*0.8		
17		900105-05014	2	BOLT, H.S. 5*14	5*14	Sus. by V203-000090	
17		V203-000090	2	BOLT,5	M5*14		
18		101535-39931	1	COVER, FAN		Sus. by 101535-39932	
18		101535-39932	1	COVER, FAN			
19		177200-39932	1	RECOIL STARTER ASY		Sus. by 177200-60635	
19		177200-39933	1	STARTER ASY		Sus. by 177200-60635	
19		177200-39934	1	STARTER ASY		Sus. by 177200-60635	
19		177200-60634	1	STARTER ASY		Sus. by 177200-60635	
19		177200-60635	1	STARTER ASY			
20	+	900238-05012	1	SCREW 5*12	5*12		
21	+	177214-02830	1	WASHER	5.2*16*1.0T		
22	+	177226-11130	1	ROPE, STARTER	3.5*770		
23	+	177215-35430	1	DRUM, STARTER			
24	+	177221-35430	1	PLATE, STARTER			
25	+	177220-35430	1	SPRING, REWIND			
26	+	177228-35430	1	GRIP, STARTER (BL)			
27	+	177227-39131	1	GUIDE, ROPE BL			
28	+	900296-03014	1	SCREW 3*14	3*14 SUS		

3. Starter, Magneto



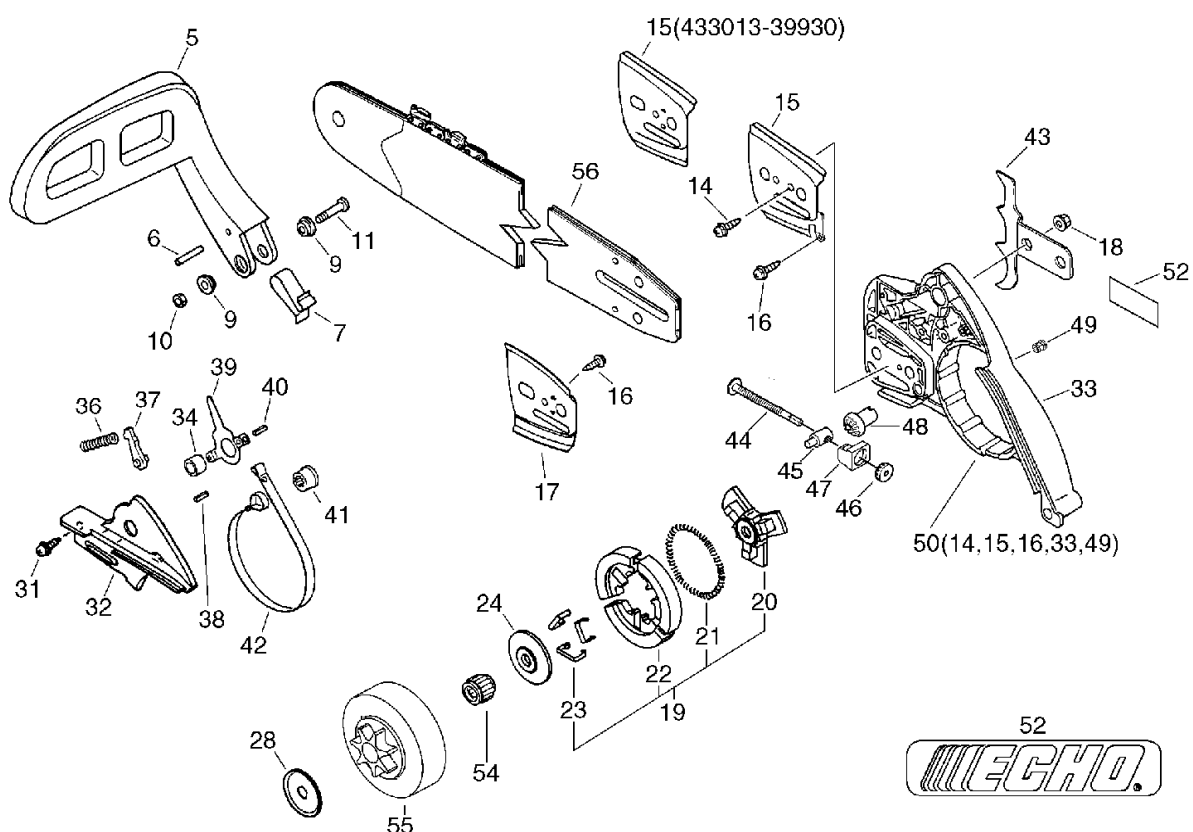
KEY	LV	PART NUMBER	Q'TY	DESCRIPTION	REMARKS	NOTE1	NOTE2
30		900238-04016	4	SCREW 4*16	4*16		
31		150112-00310	1	BUSHING		Sr/Nr 012160 and before	
32		890118-49330	1	LABEL, ECHO		Sr/Nr 0014541 and after	

4. Handle



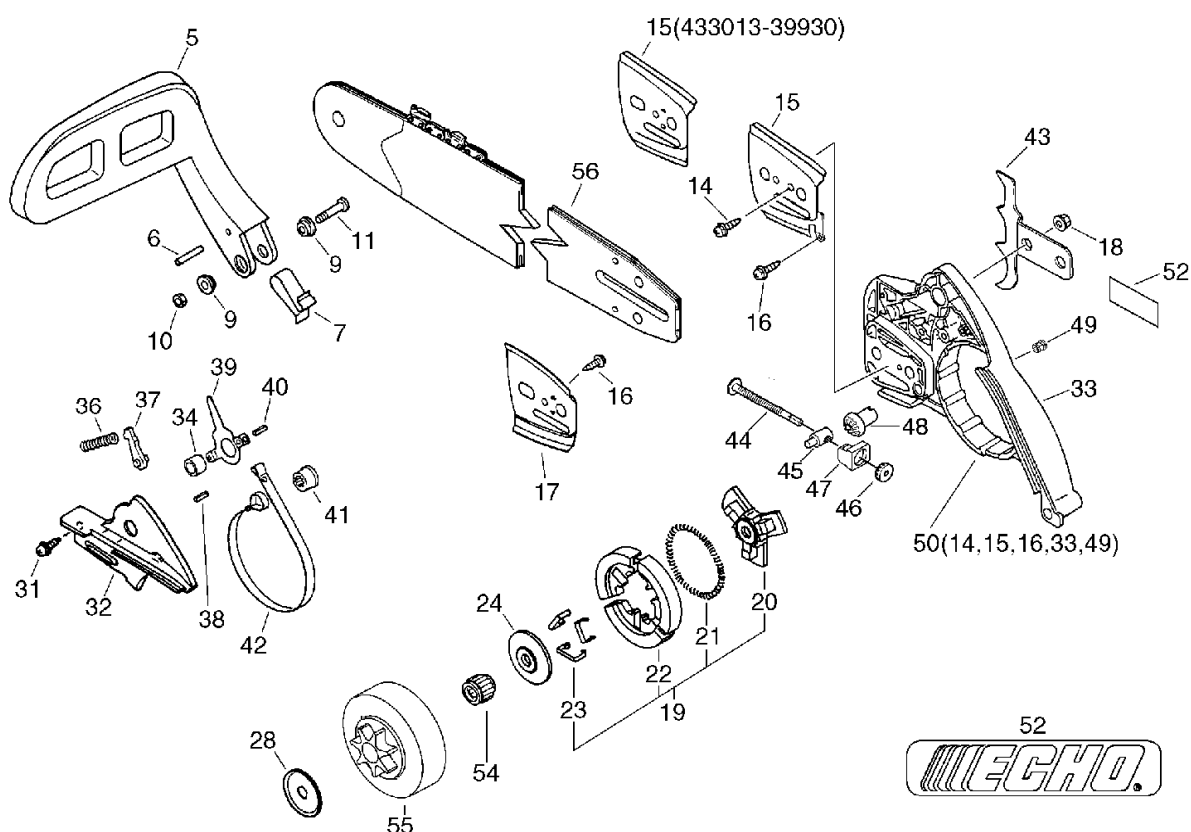
KEY	LV	PART NUMBER	Q'TY	DESCRIPTION	REMARKS	NOTE1	NOTE2
24		131205-19830	1	STRAINER, FUEL			
25		132013-09820	1	CLIP	6MM		
26		100910-19730	2	CUSHION			
27		900105-04020	2	BOLT, H.S. 4*20	4*20		
28		100918-19830	2	CAP, CUSHION			
29		100915-15131	2	SUPPORTER, CUSHION			
30		351606-39930	1	HANDLE, FRONT		Sus. by 351606-39931	
30		351606-39931	1	HANDLE, FRONT			
31		900268-05020	2	SCREW 5*20	5*20	Sus. by 91145-05020	
31		91145-05020	2	BOLT HS TAPPING	5*20		
32		900253-05016	2	SCREW	5*16	Sus. by 91145-05016	
32		91145-05016	2	BOLT HS TAPPING	5*16		
33		100252-39930	2	CUSHION			

5. Clutch, Sprocket



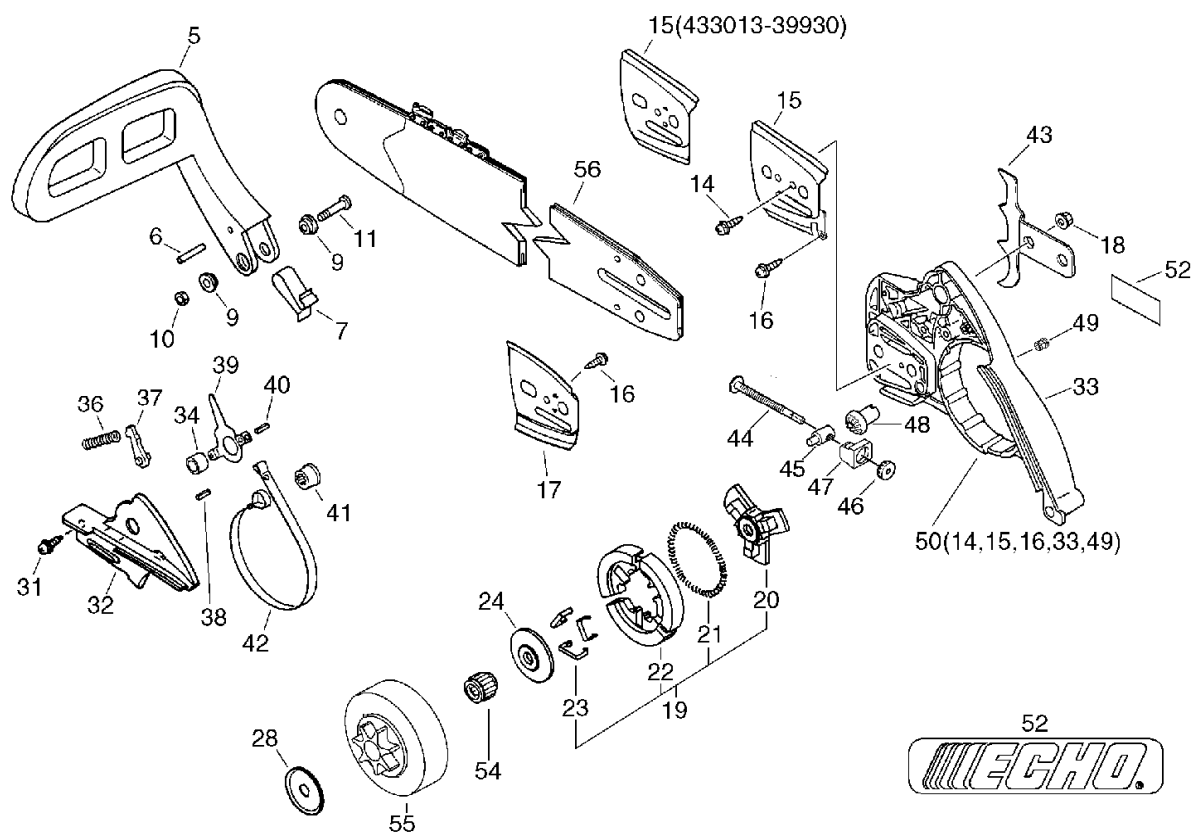
KEY	LV	PART NUMBER	Q'TY	DESCRIPTION	REMARKS	NOTE1	NOTE2
5		433105-60030	1	LEVER, BRAKE			
6	+	900330-30240	1	PIN 3*24	3*23.8		
7	+	433114-38331	1	SPRING			
9		433167-39130	2	SPACER			
10		900560-00005	1	NUT, LOCK 5	5	Sus. by 900562-50005	
10		900562-50005	1	LOCKNUT 5	5		
11		900209-05030	1	SCREW, 5*30	5*30	Sus. by 91318-05032	
11		91318-05032	1	SCREW	5*32		
14		900220-04006	1	SCREW 4*6	4*6	Sr/Nr 007740 and before	
15		433013-39930	1	PLATE, GUIDE		Sr/Nr 003890 and before	
16		900253-04008	1	SCREW 4*8	4*8		
17		433012-39930	1	PLATE, GUIDE			
18		433019-12330	2	NUT, FLANGE 8	M-8		
19		175000-59530	1	CLUTCH ASY		Sus. by 175000-59531	
19		175000-59531	1	CLUTCH ASY			
20	+	175016-59530	1	HUB, CLUTCH			
21	+	175018-59530	1	SPRING, CLUTCH			
22	+	175017-59530	3	SHOE, CLUTCH		Sus. by 175002-59531	
22	+	175002-59530	1	SHOE, CLUTCH		Sus. by 175002-59531	

5. Clutch, Sprocket



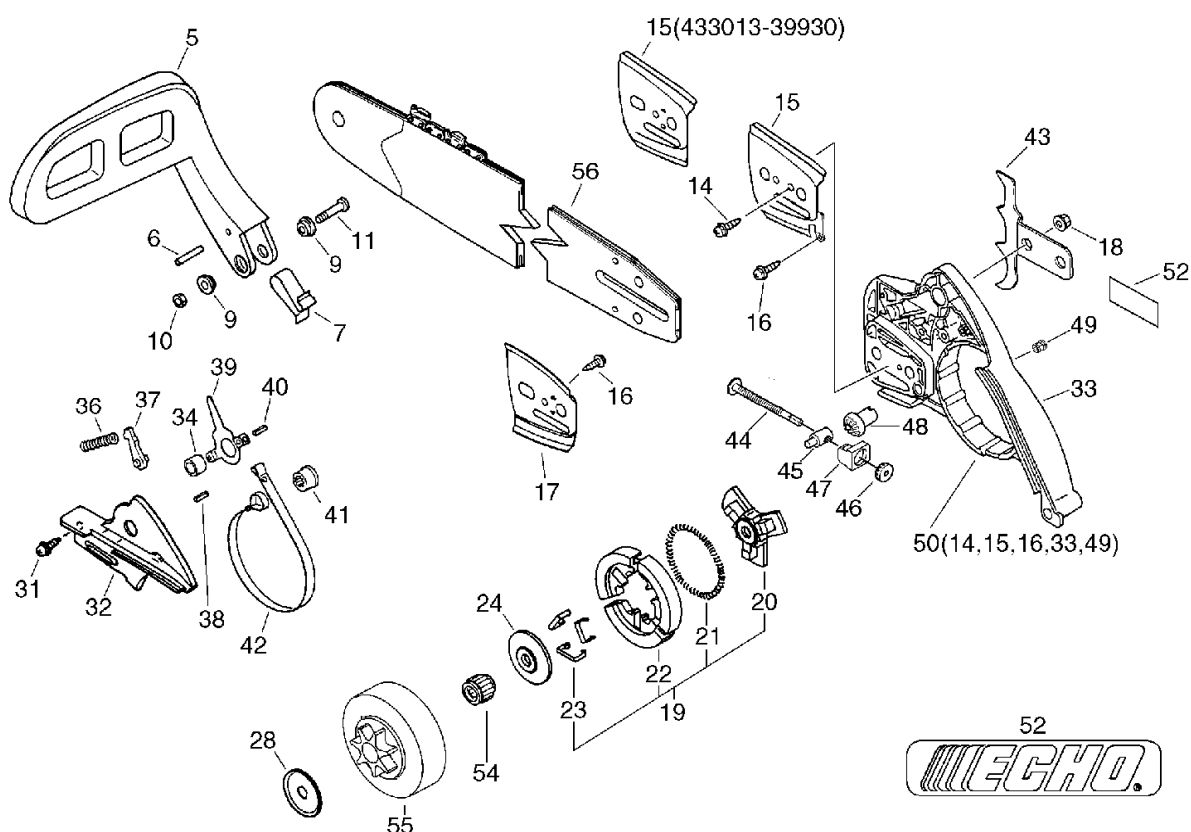
KEY	LV	PART NUMBER	Q'TY	DESCRIPTION	REMARKS	NOTE1	NOTE2
22	+	175002-59531	1	SHOE, CLUTCH			
23	+	175022-59530	3	SPRING,FLAT			
24		175019-59530	1	PLATE, CLUTCH			
28		175019-38330	1	PLATE, CLUTCH			
29		175114-12530	1	SPROCKET, RIM .325			Sr/Nr 010060 and before
31		900253-04010	2	SCREW 4*10	4*10		
32		433310-38330	1	COVER, BRAKE			
33		433005-39930	1	GUARD, SPROCKET			Sus. by P021-001312
50		P021-001040	1	SPROCKET GUARD KIT			Sus. by P021-001312
50		P021-001041	1	SPROCKET GUARD KIT			Sus. by P021-001312
50		P021-001300	1	GUARD,SPROCKET SET			Sus. by P021-001312
50		P021-001301	1	GUARD,SPROCKET SET			Sus. by P021-001312
50		P021-001302	1	GUARD,SPROCKET SET			Sus. by P021-001312
50		P021-001312	1	GUARD,SPROCKET SET			Sus. by P021-001312
14	+	900220-03006	1	SCREW 3*6	3*6		Sr/Nr 007741 and after
15	+	C305-000010	1	PLATE,SPROCKET GUARD			Sus. by C305-000011

5. Clutch, Sprocket



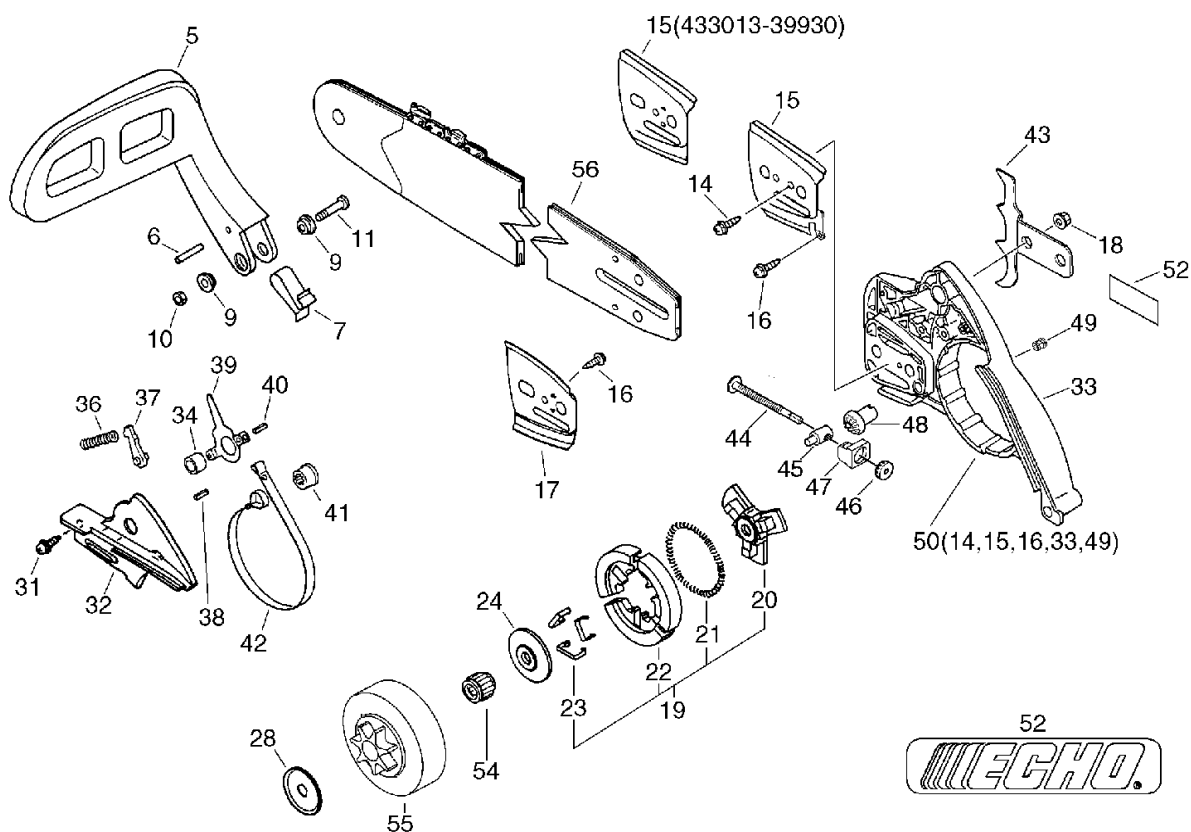
KEY	LV	PART NUMBER	Q'TY	DESCRIPTION	REMARKS	NOTE1	NOTE2
15	+	C305-000011	1	PLATE, SPROCKET GUARD		Sr/Nr 003891 and after	
16	+	900253-04008	1	SCREW 4*8	4*8	Sr/Nr 003891 and after	
33	+	433005-39931	1	GUARD, SPROCKET		Sus. by 433005-39932	
33	+	433005-39932	1	GUARD, SPROCKET		Sr/Nr 003891 to 007740	
33	+	433005-39933	1	GUARD, SPROCKET		Sus. by 433005-60935	
33	+	433005-39934	1	GUARD, SPROCKET		Sus. by 433005-60935	
33	+	433005-39935	1	GUARD, SPROCKET		Sus. by 433005-60935	
33	+	433005-60935	1	GUARD, SPROCKET		Sr/Nr 007741 and after	
33	+	P021-010170	1	GUARD, SPROCKET KIT			
49	+	V162-000020	1	PLUG		Can be needed for non-side-access type models	
34		433115-38330	1	WASHER 5.2*12*14	5.2*12*14		
36		433122-35430	1	SPRING, BRAKE			
37		433209-35430	1	STOPPER, BRAKE			
38		900342-25012	1	PIN, SPRING 2.5*12	2.5*12		
39		433208-35431	1	LEVER, BRAKE			

5. Clutch, Sprocket



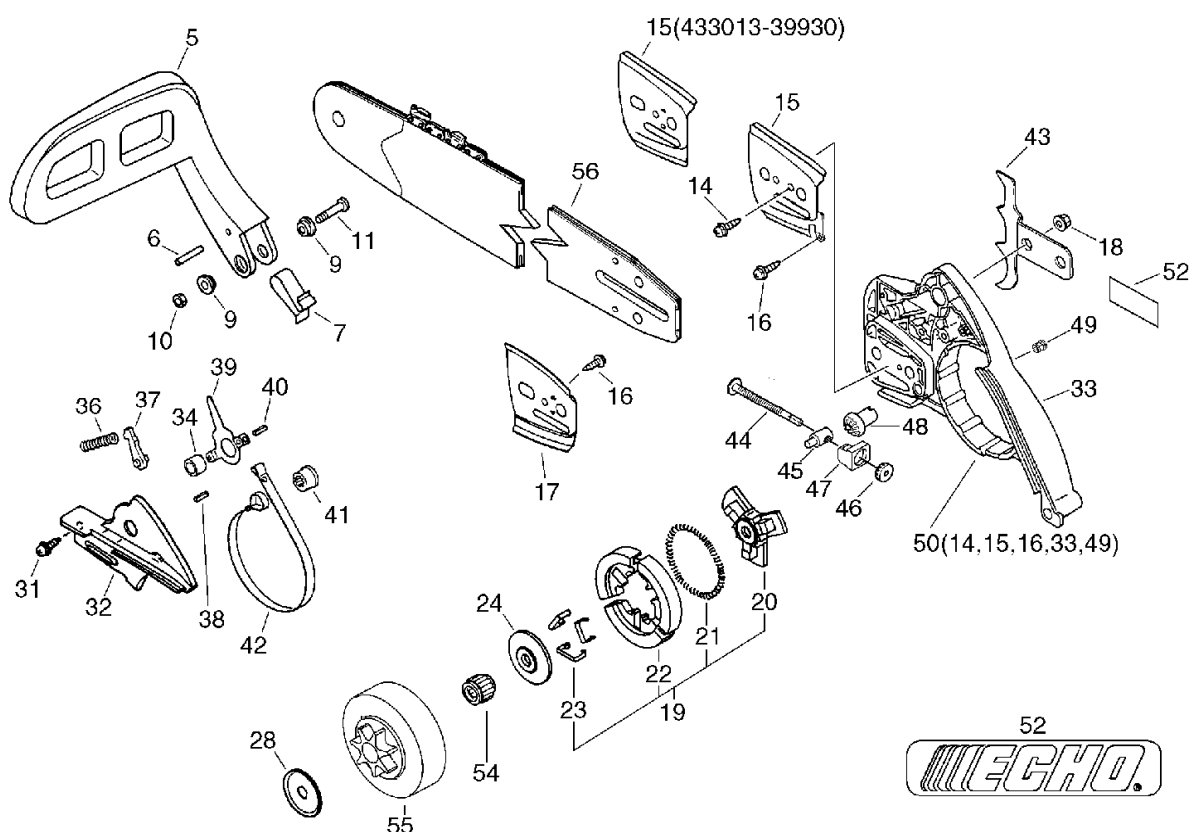
KEY	LV	PART NUMBER	Q'TY	DESCRIPTION	REMARKS	NOTE1	NOTE2
40		900330-40088	1	ROLLER 4*8.8	4*8.8		
41		433142-35430	1	ADJUSTER, BRAKE			
42		433123-35430	1	BAND, BRAKE		Sus. by C328-000060	
42		C328-000060	1	BAND, BRAKE			
43		880210-36030	1	BUMPER, SPIKED		Sus. by C304-000020	
43		880210-36031	1	BUMPER, SPIKED		Sus. by C304-000020	
43		C304-000020	1	SPIKED			
44		V203-000040	1	BOLT,5		Sus. by V203-000041	
44		V203-000041	1	BOLT,5		Sr/Nr 003891 and after	
45		433014-60930	1	TENSIONER, CHAIN		Sus. by C309-000030	
45		C309-000030	1	TENSIONER, CHAIN		Sr/Nr 003891 and after	
46		V651-000010	1	GEAR, BEVEL		Sus. by V651-000011	
46		V651-000011	1	GEAR, BEVEL		Sr/Nr 003891 and after	
47		V355-000030	1	COLLAR, 8		Sus. by V355-000270	
47		V355-000270	1	COLLAR, 8		Sr/Nr 003891 and after	

5. Clutch, Sprocket



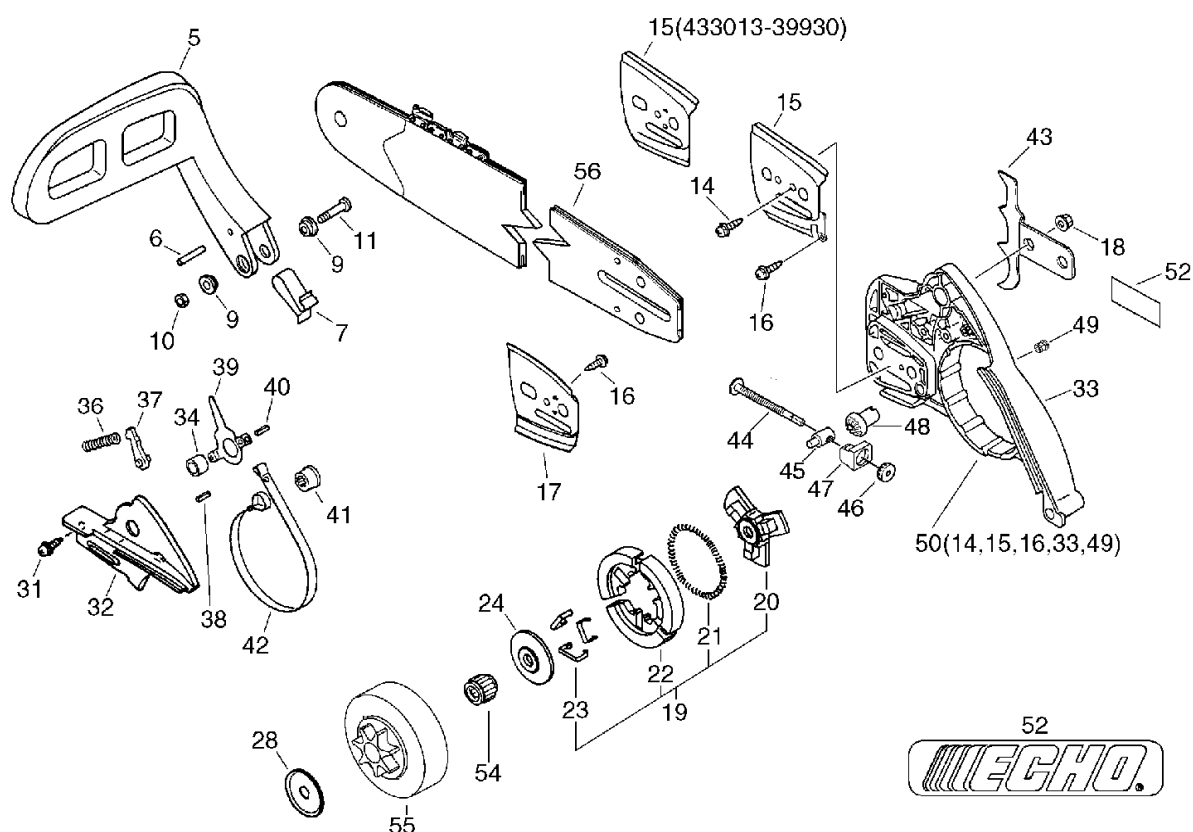
KEY	LV	PART NUMBER	Q'TY	DESCRIPTION	REMARKS	NOTE1	NOTE2
48		V651-000000	1	GEAR,BEVEL		Sus. by V651-000001	
48		V651-000001	1	GEAR,BEVEL		Sr/Nr 003891 and after	
52		X502-000020	1	LABEL,ECHO		Sr/Nr 0014541 and after	
53		P021-006060	1	DRUM,CLUTCH SET			
54	+	175012-14630	1	BEARING, NEEDLE		Sr/Nr 014915 and before	
54	+	175012-00831	1	BEARING, NEEDLE		Sr/Nr 014916 and after	
55	+	175105-35430	1	DRUM, CLUTCH		Sus. by A556-000171	
55	+	A556-000170	1	DRUM,CLUTCH	325-7	Sus. by A556-000171	
55	+	A556-000171	1	DRUM,CLUTCH			
56		430521-37331	1	BAR,GUIDE 38RD58-325	38RD58-325	Sus. by 430521-37332	
56		430521-37332	1	BAR, GUIDE 38RD58325	38RD58-325	OPTION	

6. Clutch, Sprocket(Sr/Nr 009711 to 014915)



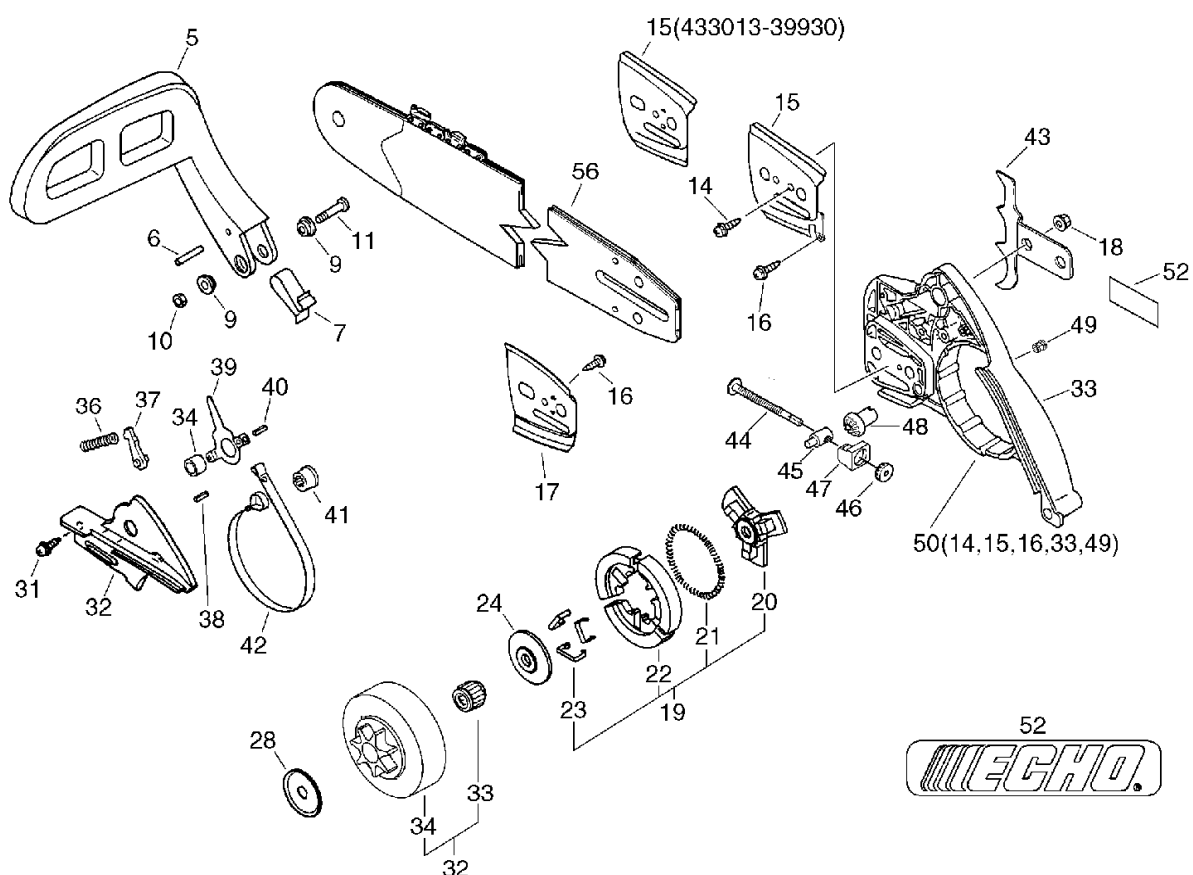
KEY	LV	PART NUMBER	Q'TY	DESCRIPTION	REMARKS	NOTE1	NOTE2
5		433105-60030	1	LEVER, BRAKE			
6	+	900330-30240	1	PIN 3*24	3*23.8		
7	+	433114-38331	1	SPRING			
9		433167-39130	2	SPACER			
10		900560-00005	1	NUT, LOCK 5	5		
11		91318-05032	1	SCREW	5*32		
16		900253-04008	1	SCREW 4*8	4*8		
17		433012-39930	1	PLATE, GUIDE			
18		433019-12330	2	NUT, FLANGE 8	M-8		
19		175000-59530	1	CLUTCH ASY			
20	+	175016-59530	1	HUB, CLUTCH			
21	+	175018-59530	1	SPRING, CLUTCH			
22	+	175002-59530	1	SHOE, CLUTCH			
23	+	175022-59530	3	SPRING, FLAT			
24		175019-59530	1	PLATE, CLUTCH			
28		175019-38330	1	PLATE, CLUTCH			
31		900253-04010	2	SCREW 4*10	4*10		
32		433310-38330	1	COVER, BRAKE			
34		433115-38330	1	WASHER 5.2*12*14	5.2*12*14		
36		433122-35430	1	SPRING, BRAKE			
37		433209-35430	1	STOPPER, BRAKE			
38		900342-25012	1	PIN, SPRING 2.5*12	2.5*12		
39		433208-35431	1	LEVER, BRAKE			
40		900330-40088	1	ROLLER 4*8.8	4*8.8		
41		433142-35430	1	ADJUSTER, BRAKE			
42		433123-35430	1	BAND, BRAKE			

6. Clutch, Sprocket(Sr/Nr 009711 to 014915)



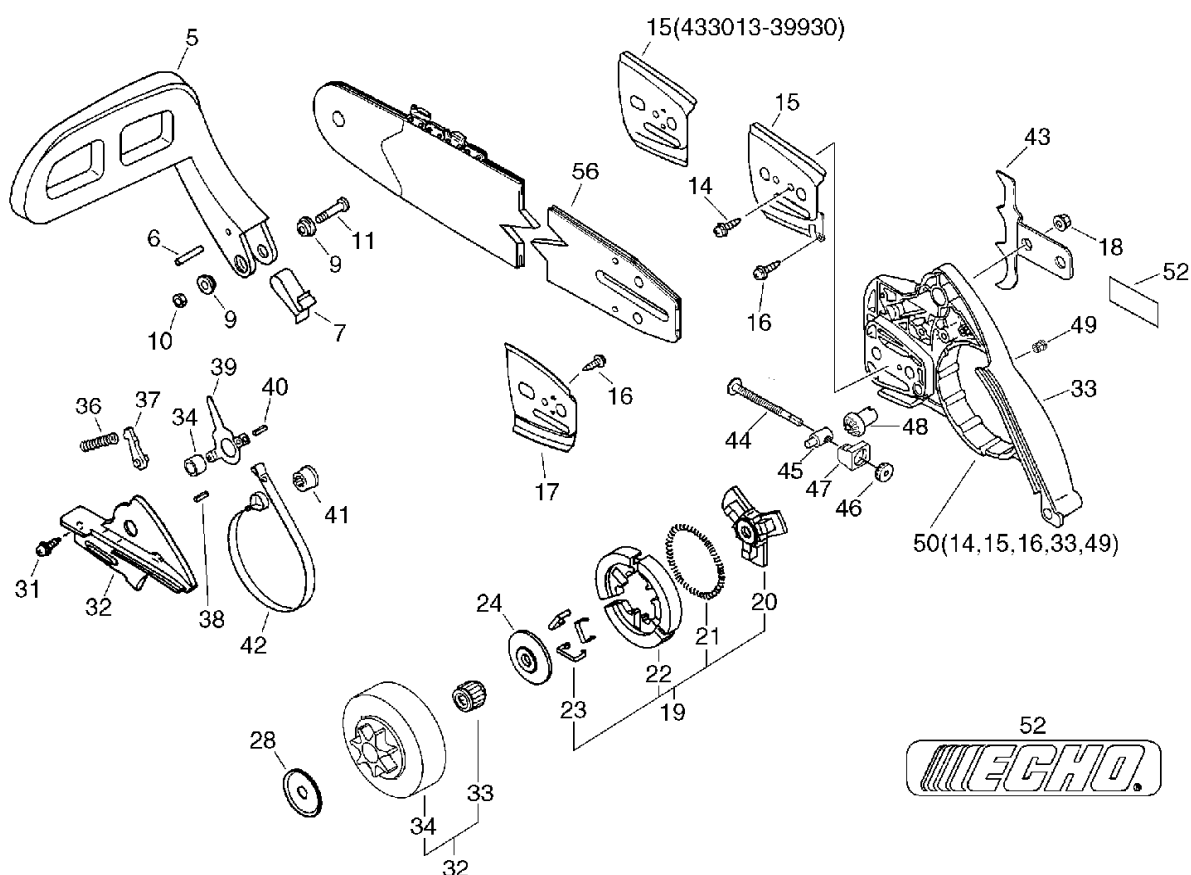
KEY	LV	PART NUMBER	Q'TY	DESCRIPTION	REMARKS	NOTE1	NOTE2
43		880210-36031	1	BUMPER, SPIKED			
44		V203-000040	1	BOLT,5			
45		C309-000030	1	TENSIONER,CHAIN			
46		V651-000010	1	GEAR,BEVEL			
47		V355-000030	1	COLLAR,8			
48		V651-000000	1	GEAR,BEVEL			
50		P021-001300	1	GUARD,SPROCKET SET			
14	+	900220-03006	1	SCREW 3*6	3*6		
15	+	C305-000011	1	PLATE,SPROCKET GUARD			
16	+	900253-04008	1	SCREW 4*8	4*8		
33	+	433005-39933	1	GUARD, SPROCKET			
49	+	V162-000020	1	PLUG			
54		175012-14630	1	BEARING, NEEDLE		Sr/Nr 009711 to 014915	
55		A556-000170	1	DRUM,CLUTCH	325-7	Sr/Nr 009711 to 014915	
56		430521-37332	1	BAR, GUIDE 38RD58325	38RD58-325	OPTION	

7. Clutch, Sprocket(Sr/Nr 014916 and after)



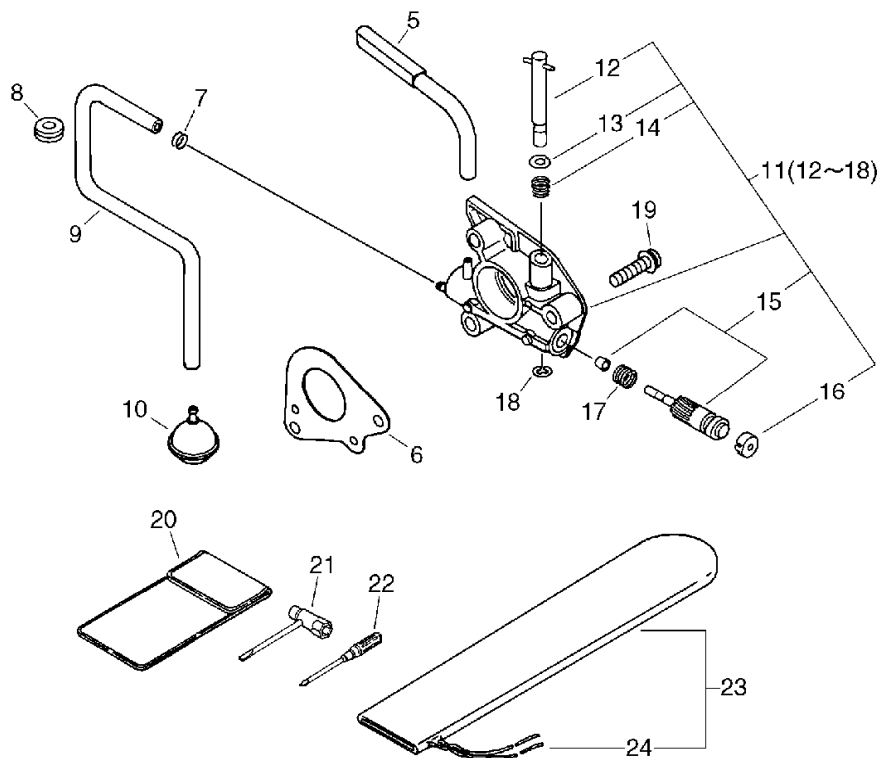
KEY	LV	PART NUMBER	Q'TY	DESCRIPTION	REMARKS	NOTE1	NOTE2
5		433105-60030	1	LEVER, BRAKE			
6	+	900330-30240	1	PIN 3*24	3*23.8		
7	+	433114-38331	1	SPRING			
9		433167-39130	2	SPACER			
10		900560-00005	1	NUT, LOCK 5	5		
11		91318-05032	1	SCREW	5*32		
16		900253-04008	1	SCREW 4*8	4*8		
17		433012-39930	1	PLATE, GUIDE			
18		433019-12330	2	NUT, FLANGE 8	M-8		
19		175000-59531	1	CLUTCH ASY			
20	+	175016-59530	1	HUB, CLUTCH			
21	+	175018-59530	1	SPRING, CLUTCH			
22	+	175002-59531	1	SHOE, CLUTCH			
23	+	175022-59530	3	SPRING, FLAT			
24		175019-59530	1	PLATE, CLUTCH			
28		175019-38330	1	PLATE, CLUTCH			
31		900253-04010	2	SCREW 4*10	4*10		
32		433310-38330	1	COVER, BRAKE			
34		433115-38330	1	WASHER 5.2*12*14	5.2*12*14		
36		433122-35430	1	SPRING, BRAKE			
37		433209-35430	1	STOPPER, BRAKE			
38		900342-25012	1	PIN, SPRING 2.5*12	2.5*12		
39		433208-35431	1	LEVER, BRAKE			
40		900330-40088	1	ROLLER 4*8.8	4*8.8		
41		433142-35430	1	ADJUSTER, BRAKE			
42		433123-35430	1	BAND, BRAKE			

7. Clutch, Sprocket(Sr/Nr 014916 and after)



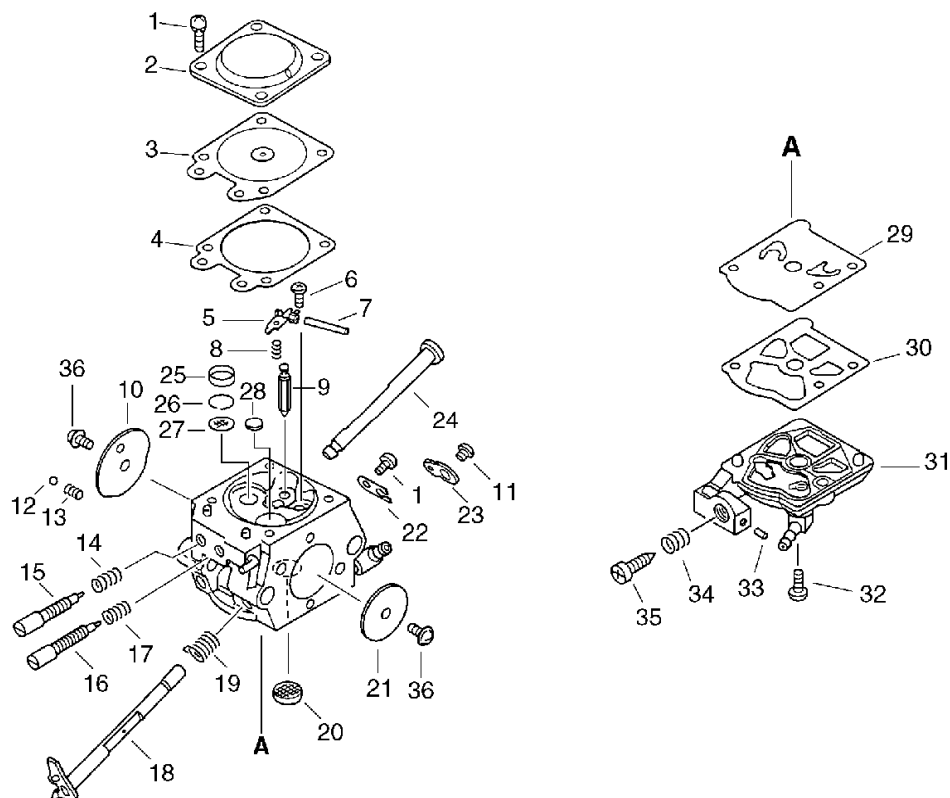
KEY	LV	PART NUMBER	Q'TY	DESCRIPTION	REMARKS	NOTE1	NOTE2
43		880210-36031	1	BUMPER, SPIKED			
44		V203-000041	1	BOLT,5			
45		C309-000030	1	TENSIONER,CHAIN			
46		V651-000011	1	GEAR,BEVEL			
47		V355-000270	1	COLLAR,8			
48		V651-000001	1	GEAR,BEVEL			
50		P021-001312	1	GUARD,SPROCKET SET			
14	+	900220-03006	1	SCREW 3*6	3*6		
15	+	C305-000011	1	PLATE,SPROCKET GUARD			
16	+	900253-04008	1	SCREW 4*8	4*8		
33	+	433005-60935	1	GUARD, SPROCKET			
49	+	V162-000020	1	PLUG			
52		X502-000020	1	LABEL,ECHO			
53		P021-006060	1	DRUM,CLUTCH SET		Sr/Nr 014916 and after	
54	+	175012-00831	1	BEARING, NEEDLE		Sr/Nr 014916 and after	
55	+	A556-000171	1	DRUM,CLUTCH		Sr/Nr 014916 and after	
56		430521-37332	1	BAR, GUIDE 38RD58325	38RD58-325	OPTION	

8. Auto-Oiler, Tools



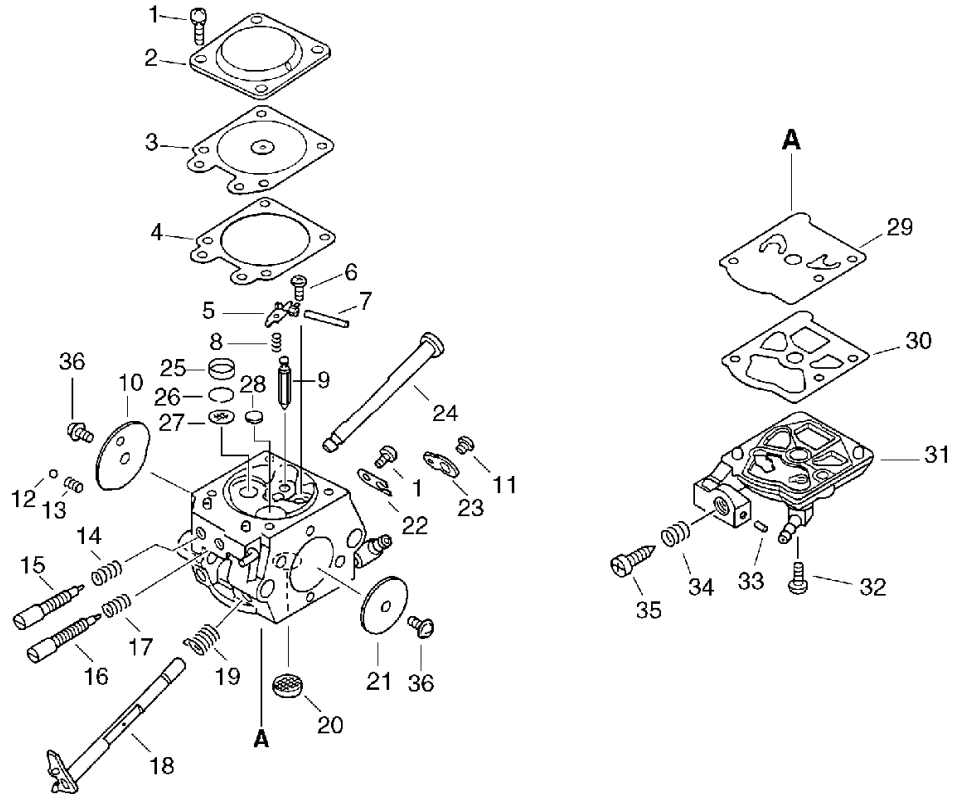
KEY	LV	PART NUMBER	Q'TY	DESCRIPTION	REMARKS	NOTE1	NOTE2
5		437210-39931	1	PIPE			
6		175310-38330	1	PLATE, SEAL			
7		132013-26630	1	CLIP	6.5MM		
8		132115-12330	1	GROMMET			
9		437210-35430	1	PIPE			
10		436205-14730	1	STRAINER, OIL			
11		437002-38330	1	AUTO-OILER ASSY			
12	+	437016-38330	1	NEEDLE, ADJUST			
13	+	437029-37330	1	WASHER			
14	+	437015-37330	1	SPRING			
15	+	437024-37330	1	PLUNGER			
16	+	437062-38330	1	CAP, OIL PUMP			
17	+	437019-38330	1	SPRING			
18	+	123127-15030	1	RING			
19		900223-04016	2	SCREW	4*16		
20		898510-39130	1	BAG, TOOL			
21		895410-02830	1	WRENCH, W/S. DRIVER			
22		895812-03930	1	DRIVER, SCREW 50			
23		898513-38330	1	SCABBARD, GUIDE BAR			
24	+	898568-14530	1	ROPE	5*900		

9. Carburetor



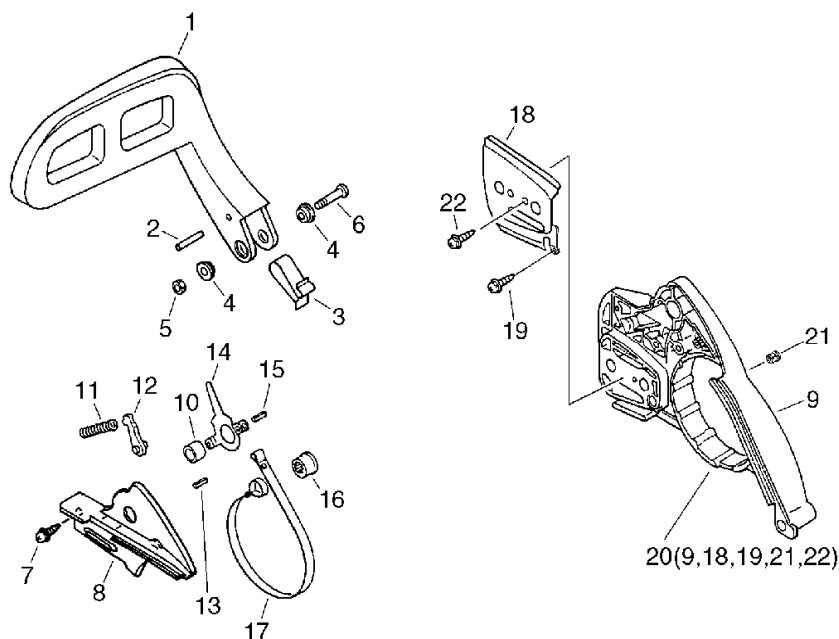
KEY	LV	PART NUMBER	Q'TY	DESCRIPTION	REMARKS	NOTE1	NOTE2
		123000-38332	1	CARBURETOR ASSY	WT-201B		
1	+	123130-02960	5	SCREW			
2	+	123142-03930	1	COVER, M. DIAPHRAGM			
3	+	123141-03930	1	DIAPHRAGM, METERING			
4	+	123140-03930	1	GASKET, M. DIAPHRAGM			
5	+	123123-38330	1	LEVER, METERING			
6	+	123139-03930	1	SCREW, M. LEVER PIN			
7	+	123138-03930	1	PIN, METERING LEVER			
8	+	123122-11130	1	SPRING, METER. LEVER			
9	+	123137-19830	1	VALVE, INLET NEEDLE			
10	+	123132-37330	1	VALVE, CHOKE			
11	+	123114-03930	1	SCREW		Sus. by 123114-38830	
11	+	123114-38830	1	SCREW			
12	+	123136-10630	1	BALL, CHOKE FRICTION			
13	+	123135-10630	1	SPRING, CHOKE FRICT.			
14	+	123119-22130	1	SPRING, NEEDLE			
15	+	123120-38330	1	NEEDLE, HIGH SPEED			
16	+	123118-38330	1	NEEDLE, IDLE			
17	+	123121-22130	1	SPRING, NEEDLE			
18	+	123117-38330	1	SHAFT, THROTTLE			
19	+	123113-37530	1	SPRING, THROTTLE RTN			
20	+	123126-10631	1	SCREEN, INLET			
21	+	123116-10530	1	VALVE, THROTTLE			
22	+	123127-03930	1	CLIP, THROTTLE SHAFT			
23	+	123150-38330	1	LEVER, THROTTLE			

9. Carburetor



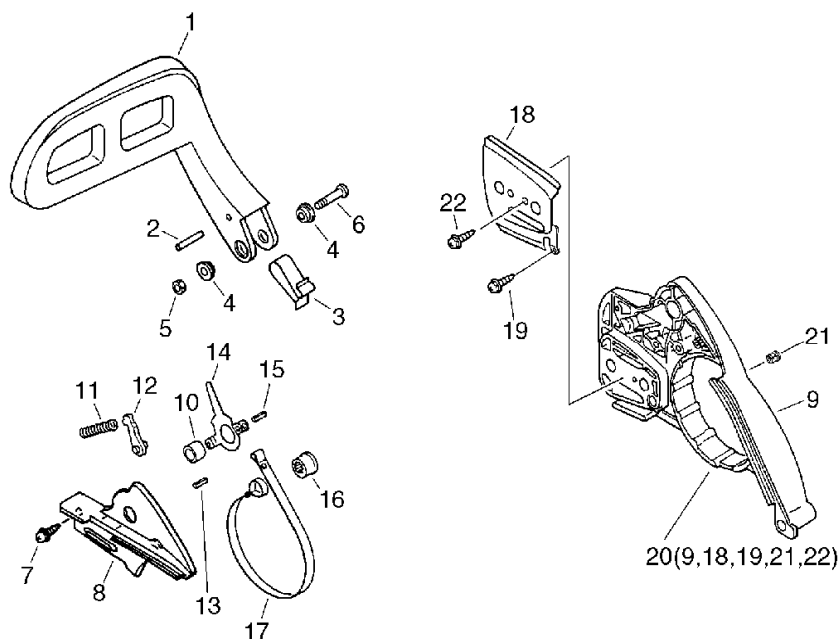
KEY	LV	PART NUMBER	Q'TY	DESCRIPTION	REMARKS	NOTE1	NOTE2
24	+	123131-35430	1	SHAFT, CHOKE			
25	+	123146-17330	1	PLUG, CUP			
26	+	123169-10630	1	RING, RETAINING			
27	+	123168-10631	1	SCREEN			
28	+	123146-10631	1	PLUG, WELCH			
29	+	123112-15030	1	DIAPHRAGM, FUEL PUMP			
30	+	123125-15030	1	GASKET, FUEL PUMP			
31	+	123124-38330	1	COVER, FUEL PUMP			
32	+	123110-03930	1	SCREW, PUMP COVER			
33	+	123178-15030	1	PLUG, FRICTION			
34	+	123133-04260	1	SPRING, IDLE ADJUST			
35	+	123134-04260	1	SCREW, IDLE ADJUST			
36	+	123114-38830	2	SCREW			

10. Chain Brake Asy



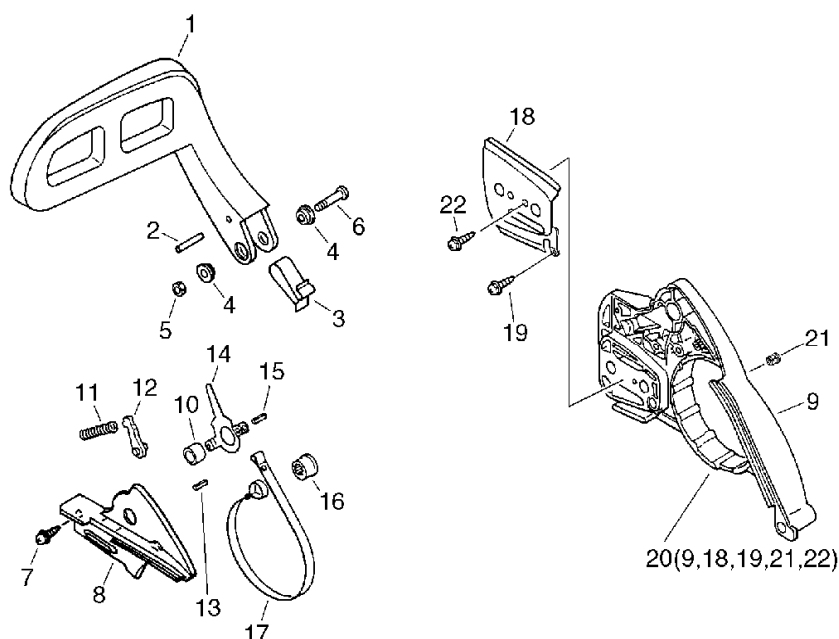
KEY	LV	PART NUMBER	Q'TY	DESCRIPTION	REMARKS	NOTE1	NOTE2
		C032-000000	1	BRAKE,ASM CHAIN		Sus. by C032-000017	
		C032-000001	1	BRAKE,ASM CHAIN		Sus. by C032-000017	
		C032-000002	1	BRAKE,ASM CHAIN		Sus. by C032-000017	
		C032-000003	1	BRAKE,ASM CHAIN		Sus. by C032-000017	
		C032-000004	1	BRAKE,ASM CHAIN		Sus. by C032-000017	
		C032-000005	1	BRAKE,ASM CHAIN		Sus. by C032-000017	
		C032-000015	1	BRAKE,ASM CHAIN		Sus. by C032-000017	
		C032-000016	1	BRAKE,ASM CHAIN		Sus. by C032-000017	
		C032-000017	1	BRAKE,ASM CHAIN			
1	+	433105-60030	1	LEVER, BRAKE			
2	++	900330-30240	1	PIN 3*24	3*23.8		
3	++	433114-38331	1	SPRING			
4	+	433167-39130	2	SPACER			
5	+	900560-00005	1	NUT, LOCK 5	5	Sus. by 900562-50005	
5	+	900562-50005	1	LOCKNUT 5	5		
6	+	900209-05030	1	SCREW, 5*30	5*30	Sus. by 91318-05032	

10. Chain Brake Assy



KEY	LV	PART NUMBER	Q'TY	DESCRIPTION	REMARKS	NOTE1	NOTE2
6	+	91318-05032	1	SCREW	5*32		
7	+	900253-04010	2	SCREW 4*10	4*10		
8	+	433310-38330	1	COVER, BRAKE			
9	+	433005-39930	1	GUARD, SPROCKET		Sus. by P021-001312	
20	+	P021-001040	1	SPROCKET GUARD KIT		Sus. by P021-001312	
20	+	P021-001041	1	SPROCKET GUARD KIT		Sus. by P021-001312	
20	+	P021-001300	1	GUARD,SPROCKET SET		Sus. by P021-001312	
20	+	P021-001301	1	GUARD,SPROCKET SET		Sus. by P021-001312	
20	+	P021-001302	1	GUARD,SPROCKET SET		Sus. by P021-001312	
20	+	P021-001312	1	GUARD,SPROCKET SET			
9	++	433005-39931	1	GUARD, SPROCKET		Sus. by 433005-39932	
9	++	433005-39932	1	GUARD, SPROCKET		Sr/Nr 003891 to 007740	
9	++	433005-39933	1	GUARD, SPROCKET		Sus. by 433005-60935	
9	++	433005-39934	1	GUARD, SPROCKET		Sus. by 433005-60935	
9	++	433005-39935	1	GUARD, SPROCKET		Sus. by 433005-60935	

10. Chain Brake Asy



KEY	LV	PART NUMBER	Q'TY	DESCRIPTION	REMARKS	NOTE1	NOTE2
9	++	433005-60935	1	GUARD, SPROCKET		Sr/Nr 007741 and after	
18	++	C305-000010	1	PLATE, SPROCKET GUARD		Sus. by C305-000011	
18	++	C305-000011	1	PLATE, SPROCKET GUARD		Sr/Nr 003891 and after	
19	++	900253-04008	1	SCREW 4*8	4*8	Sr/Nr 003891 and after	
21	++	V162-000020	1	PLUG		Can be needed for non-side-access type models	
22	++	900220-03006	1	SCREW 3*6	3*6	Sr/Nr 007741 and after	
10	+	433115-38330	1	WASHER 5.2*12*14	5.2*12*14		
11	+	433122-35430	1	SPRING, BRAKE			
12	+	433209-35430	1	STOPPER, BRAKE			
13	+	900342-25012	1	PIN, SPRING 2.5*12	2.5*12		
14	+	433208-35431	1	LEVER, BRAKE			
15	+	900330-40088	1	ROLLER 4*8.8	4*8.8		
16	+	433142-35430	1	ADJUSTER, BRAKE			
17	+	433123-35430	1	BAND, BRAKE		Sus. by C328-000060	
17	+	C328-000060	1	BAND, BRAKE			

Index

Patrs Number	Key No.	Patrs Number	Key No.	Patrs Number	Key No.
100000-60630	1 - 8	123133-04260	9 - 34	132115-04920	4 - 22
100000-60631	1 - 8	123134-04260	9 - 35	132115-12330	8 - 8
100011-13330	1 - 9	123135-10630	9 - 13	145510-35431	2 - 35
100012-35430	1 - 12	123136-10630	9 - 12	145610-39930	2 - 34
100013-35430	1 - 10	123137-19830	9 - 9	145711-60630	2 - 32
100015-03930	1 - 11	123138-03930	9 - 7	145711-60631	2 - 32
100015-03931	1 - 11	123139-03930	9 - 6	150112-00310	3 - 31
100101-39930	1 - 14	123140-03930	9 - 4	151112-04630	3 - 1
100142-39130	1 - 13	123141-03930	9 - 3	156626-60630	3 - 6
100213-38330	1 - 16	123142-03930	9 - 2	156630-39930	3 - 8
100252-39930	4 - 33	123146-10631	9 - 28	156801-60630	3 - 10
100910-19730	4 - 26	123146-17330	9 - 25	159010-10230	3 - 3
100910-60030	1 - 29	123150-38330	9 - 23	159011-03432	3 - 4
100915-15131	4 - 29	123168-10631	9 - 27	159012-01620	3 - 5
100915-33930	1 - 28	123169-10630	9 - 26	159017-31730	3 - 3
100918-19830	1 - 27	123178-15030	9 - 33	159118-39930	3 - 2
100918-19830	4 - 28	129010-33330	2 - 16	162011-60630	1 - 36
101520-35430	1 - 31	129023-39930	2 - 15	163400-35430	2 - 25
101520-35430	1 - 44	130007-39930	2 - 6	163413-59530	2 - 30
101535-39931	3 - 18	130007-39931	2 - 6	163800-39930	2 - 29
101535-39932	3 - 18	130010-38330	2 - 7	163800-39931	2 - 29
104008-60630	1 - 30	130016-39930	1 - 4	163800-39932	2 - 29
104008-60631	1 - 30	130020-60630	1 - 35	163800-39933	2 - 29
104008-60632	1 - 30	130110-54430	2 - 8	163800-39934	2 - 29
104008-60633	1 - 30	130300-39730	2 - 10	163810-59532	2 - 36
123000-38332	2 - 14	130301-39930	2 - 11	163810-59533	2 - 36
123000-38332	9 -	130301-39931	2 - 11	163810-59534	2 - 36
123110-03930	9 - 32	130301-39932	2 - 11	163810-59535	2 - 36
123112-15030	9 - 29	130301-39933	2 - 11	175000-59530	5 - 19
123113-37530	9 - 19	130301-39934	2 - 11	175000-59530	6 - 19
123114-03930	9 - 11	130338-32430	1 - 18	175000-59531	5 - 19
123114-38830	9 - 11	130366-39930	2 - 4	175000-59531	7 - 19
123114-38830	9 - 36	130405-38331	2 - 9	175002-59530	5 - 22
123116-10530	9 - 21	130405-38332	2 - 9	175002-59530	6 - 22
123117-38330	9 - 18	130510-39930	1 - 3	175002-59531	5 - 22
123118-38330	9 - 16	130510-39931	1 - 3	175002-59531	7 - 22
123119-22130	9 - 14	130510-39932	1 - 3	175012-00831	5 - 54
123120-38330	9 - 15	131004-37931	4 - 19	175012-00831	7 - 54
123121-22130	9 - 17	131004-37932	4 - 19	175012-14630	5 - 54
123122-11130	9 - 8	131051-19830	1 - 39	175012-14630	6 - 54
123123-38330	9 - 5	131051-19830	4 - 20	175016-59530	5 - 20
123124-38330	9 - 31	131205-19830	4 - 24	175016-59530	6 - 20
123125-15030	9 - 30	131300-56430	4 - 17	175016-59530	7 - 20
123126-10631	9 - 20	131328-40630	4 - 16	175017-59530	5 - 22
123127-03930	9 - 22	132010-00760	4 - 23	175018-59530	5 - 21
123127-15030	8 - 18	132012-39930	4 - 13	175018-59530	6 - 21
123130-02960	9 - 1	132013-09820	4 - 25	175018-59530	7 - 21
123131-35430	9 - 24	132013-26630	4 - 14	175019-38330	5 - 28
123132-37330	9 - 10	132013-26630	8 - 7	175019-38330	6 - 28

Index

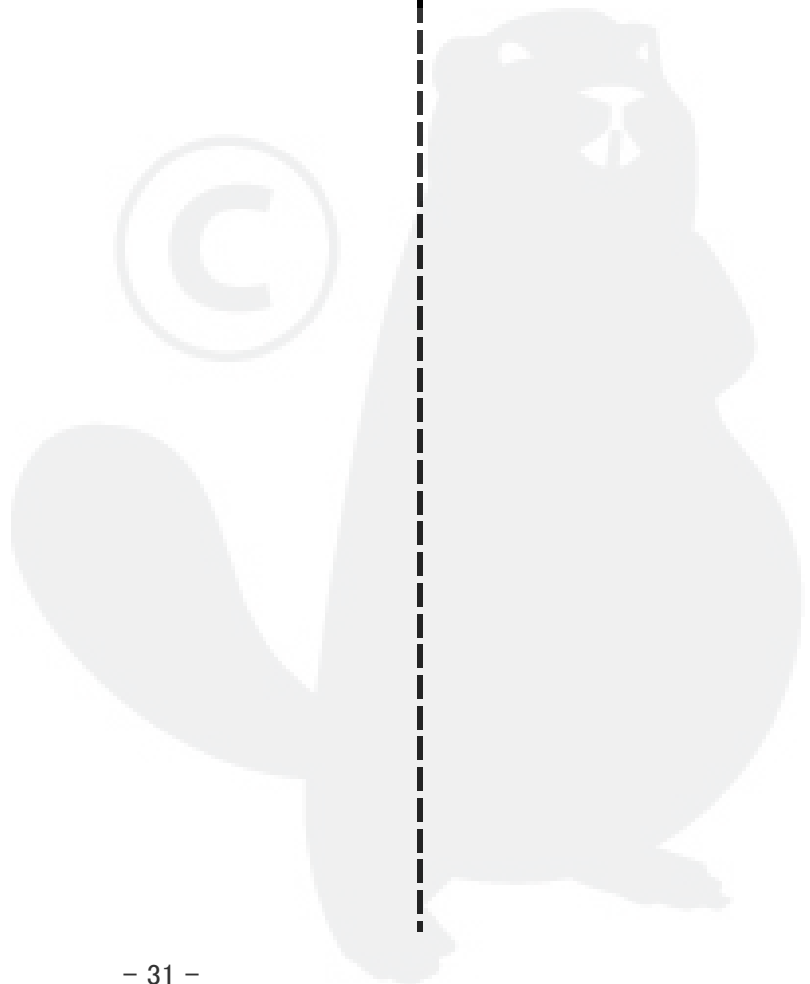
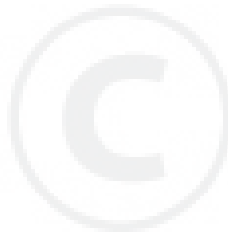
Patrs Number	Key No.	Patrs Number	Key No.	Patrs Number	Key No.
175019-38330	7 - 28	433005-39930	5 - 33	433142-35430	7 - 41
175019-59530	5 - 24	433005-39931	10 - 9	433167-39130	10 - 4
175019-59530	6 - 24	433005-39931	5 - 33	433167-39130	5 - 9
175019-59530	7 - 24	433005-39932	10 - 9	433167-39130	6 - 9
175022-59530	5 - 23	433005-39932	5 - 33	433167-39130	7 - 9
175022-59530	6 - 23	433005-39933	10 - 9	433208-35431	10 - 14
175022-59530	7 - 23	433005-39933	5 - 33	433208-35431	5 - 39
175105-35430	5 - 55	433005-39933	6 - 33	433208-35431	6 - 39
175114-12530	5 - 29	433005-39934	10 - 9	433208-35431	7 - 39
175310-38330	8 - 6	433005-39934	5 - 33	433209-35430	10 - 12
177200-39932	3 - 19	433005-39935	10 - 9	433209-35430	5 - 37
177200-39933	3 - 19	433005-39935	5 - 33	433209-35430	6 - 37
177200-39934	3 - 19	433005-60935	10 - 9	433209-35430	7 - 37
177200-60634	3 - 19	433005-60935	5 - 33	433310-38330	10 - 8
177200-60635	3 - 19	433005-60935	7 - 33	433310-38330	5 - 32
177214-02830	3 - 21	433011-19830	1 - 33	433310-38330	6 - 32
177215-35430	3 - 23	433012-39930	5 - 17	433310-38330	7 - 32
177218-35430	3 - 15	433012-39930	6 - 17	436001-39231	1 - 38
177220-35430	3 - 25	433012-39930	7 - 17	436001-39232	1 - 38
177221-35430	3 - 24	433013-39930	5 - 15	436114-13930	1 - 32
177226-11130	3 - 22	433014-03931	1 - 23	436205-14730	8 - 10
177227-39131	3 - 27	433014-60930	5 - 45	437002-38330	8 - 11
177228-35430	3 - 26	433016-39131	1 - 24	437015-37330	8 - 14
177234-35430	3 - 13	433019-12330	5 - 18	437016-38330	8 - 12
177247-04630	3 - 14	433019-12330	6 - 18	437019-38330	8 - 17
178010-38331	4 - 8	433019-12330	7 - 18	437024-37330	8 - 15
178011-39930	2 - 28	433105-60030	10 - 1	437029-37330	8 - 13
178043-35430	4 - 9	433105-60030	5 - 5	437062-38330	8 - 16
178090-37930	4 - 7	433105-60030	6 - 5	437063-38330	1 - 17
178302-37930	4 - 18	433105-60030	7 - 5	437210-35430	8 - 9
178510-38330	2 - 26	433114-38331	10 - 3	437210-39931	8 - 5
178510-38331	2 - 26	433114-38331	5 - 7	606416-60630	1 - 37
178810-14531	2 - 27	433114-38331	6 - 7	880210-36030	5 - 43
178810-14532	2 - 27	433114-38331	7 - 7	880210-36031	5 - 43
178810-14533	2 - 27	433115-38330	10 - 10	880210-36031	6 - 43
178810-14534	2 - 27	433115-38330	5 - 34	880210-36031	7 - 43
351103-39933	4 - 12	433115-38330	6 - 34	890118-49330	3 - 32
351103-39934	4 - 12	433115-38330	7 - 34	890157-39130	2 - 24
351111-19830	4 - 11	433122-35430	10 - 11	890345-39230	1 - 43
351134-39930	2 - 23	433122-35430	5 - 36	890631-38130	1 - 42
351155-35430	4 - 6	433122-35430	6 - 36	895410-02830	8 - 21
351606-39930	4 - 30	433122-35430	7 - 36	895812-03930	8 - 22
351606-39931	4 - 30	433123-35430	10 - 17	898510-39130	8 - 20
430521-37331	5 - 56	433123-35430	5 - 42	898513-38330	8 - 23
430521-37332	5 - 56	433123-35430	6 - 42	898568-14530	8 - 24
430521-37332	6 - 56	433123-35430	7 - 42	900105-04006	2 - 31
430521-37332	7 - 56	433142-35430	10 - 16	900105-04020	4 - 27
433000-60930	1 - 25	433142-35430	5 - 41	900105-05014	2 - 33
433005-39930	10 - 9	433142-35430	6 - 41	900105-05014	3 - 17

Index

Patrs Number	Key No.	Patrs Number	Key No.	Patrs Number	Key No.
900162-05022	1 - 6	900560-00005	10 - 5	C032-000017	10 -
900162-05022	3 - 7	900560-00005	5 - 10	C304-000020	5 - 43
900162-05030	1 - 7	900560-00005	6 - 10	C305-000010	10 - 18
900162-05050	2 - 12	900560-00005	7 - 10	C305-000010	5 - 15
900209-05030	10 - 6	900562-50005	10 - 5	C305-000011	10 - 18
900209-05030	5 - 11	900562-50005	5 - 10	C305-000011	5 - 15
900216-04006	3 - 9	900600-00005	2 - 22	C305-000011	6 - 15
900220-03006	10 - 22	900603-00005	3 - 16	C305-000011	7 - 15
900220-03006	5 - 14	900605-00008	3 - 11	C309-000030	5 - 45
900220-03006	6 - 14	900720-00022	4 - 21	C309-000030	6 - 45
900220-03006	7 - 14	900721-00025	1 - 40	C309-000030	7 - 45
900220-04006	5 - 14	900725-02025	1 - 40	C328-000060	10 - 17
900223-04016	8 - 19	900888-36201	1 - 15	C328-000060	5 - 42
900238-04016	3 - 30	91145-05016	4 - 32	C450-000000	4 - 8
900238-05012	1 - 2	91145-05020	4 - 31	P021-000040	1 - 5
900238-05012	3 - 20	91318-05032	10 - 6	P021-001040	10 - 20
900238-05025	1 - 22	91318-05032	5 - 11	P021-001040	5 - 50
900253-04008	10 - 19	91318-05032	6 - 11	P021-001041	10 - 20
900253-04008	1 - 34	91318-05032	7 - 11	P021-001041	5 - 50
900253-04008	5 - 16	A160-000010	1 - 19	P021-001300	10 - 20
900253-04008	5 - 16	A160-000011	1 - 19	P021-001300	5 - 50
900253-04008	6 - 16	A160-000012	1 - 19	P021-001300	6 - 50
900253-04008	6 - 16	A160-000013	1 - 19	P021-001301	10 - 20
900253-04008	7 - 16	A160-000014	1 - 19	P021-001301	5 - 50
900253-04008	7 - 16	A160-000015	1 - 19	P021-001302	10 - 20
900253-04010	10 - 7	A232-000000	1 - 20	P021-001302	5 - 50
900253-04010	5 - 31	A232-000020	1 - 20	P021-001312	10 - 20
900253-04010	6 - 31	A232-000021	1 - 20	P021-001312	5 - 50
900253-04010	7 - 31	A235-000000	1 - 21	P021-001312	7 - 50
900253-04014	4 - 5	A235-000020	1 - 21	P021-004100	1 - 5
900253-05016	2 - 13	A241-000100	2 - 26	P021-006060	5 - 53
900253-05016	4 - 32	A365-000050	1 - 39	P021-006060	7 - 53
900253-05020	1 - 26	A365-000050	4 - 20	P021-010170	5 - 33
900268-05020	4 - 31	A426-000010	3 - 4	V135-000010	1 - 45
900296-03014	3 - 28	A427-000010	3 - 5	V162-000020	10 - 21
900330-30240	10 - 2	A427-000011	3 - 5	V162-000020	5 - 49
900330-30240	5 - 6	A427-000012	3 - 5	V162-000020	6 - 49
900330-30240	6 - 6	A556-000170	5 - 55	V162-000020	7 - 49
900330-30240	7 - 6	A556-000170	6 - 55	V203-000040	5 - 44
900330-40088	10 - 15	A556-000171	5 - 55	V203-000040	6 - 44
900330-40088	5 - 40	A556-000171	7 - 55	V203-000041	5 - 44
900330-40088	6 - 40	C032-000000	10 -	V203-000041	7 - 44
900330-40088	7 - 40	C032-000001	10 -	V203-000090	3 - 17
900342-25012	10 - 13	C032-000002	10 -	V355-000030	5 - 47
900342-25012	5 - 38	C032-000003	10 -	V355-000030	6 - 47
900342-25012	6 - 38	C032-000004	10 -	V355-000270	5 - 47
900342-25012	7 - 38	C032-000005	10 -	V355-000270	7 - 47
900345-40030	4 - 10	C032-000015	10 -	V651-000000	5 - 48
900500-00008	3 - 12	C032-000016	10 -	V651-000000	6 - 48

Index

Patrs Number	Key No.	Patrs Number	Key No.	Patrs Number	Key No.
V651-000001	5 - 48				
V651-000001	7 - 48				
V651-000010	5 - 46				
V651-000010	6 - 46				
V651-000011	5 - 46				
V651-000011	7 - 46				
X502-000020	5 - 52				
X502-000020	7 - 52				
X503-000000	1 - 41				



YAMABIKO CORPORATION

7-2 SUEHIROCHO 1-CHOME, OHME, TOKYO 198-8760, JAPAN
PHONE: 81-428-32-6118. FAX: 81-428-32-6145.

ECHO®



3700
No.