



PARTS CATALOG

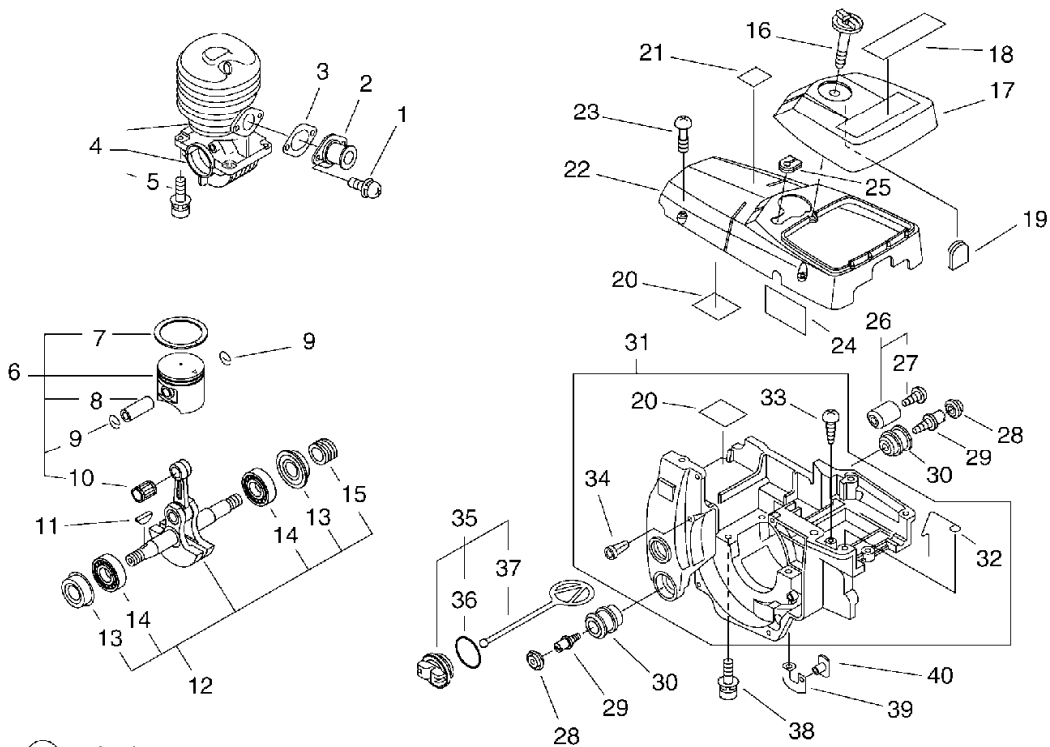
CHAIN SAW CS-4200ES



CS-4200ES

1. クランク室・エンジンカバー

CS-4200ES 1. クランク室・エンジンカバー

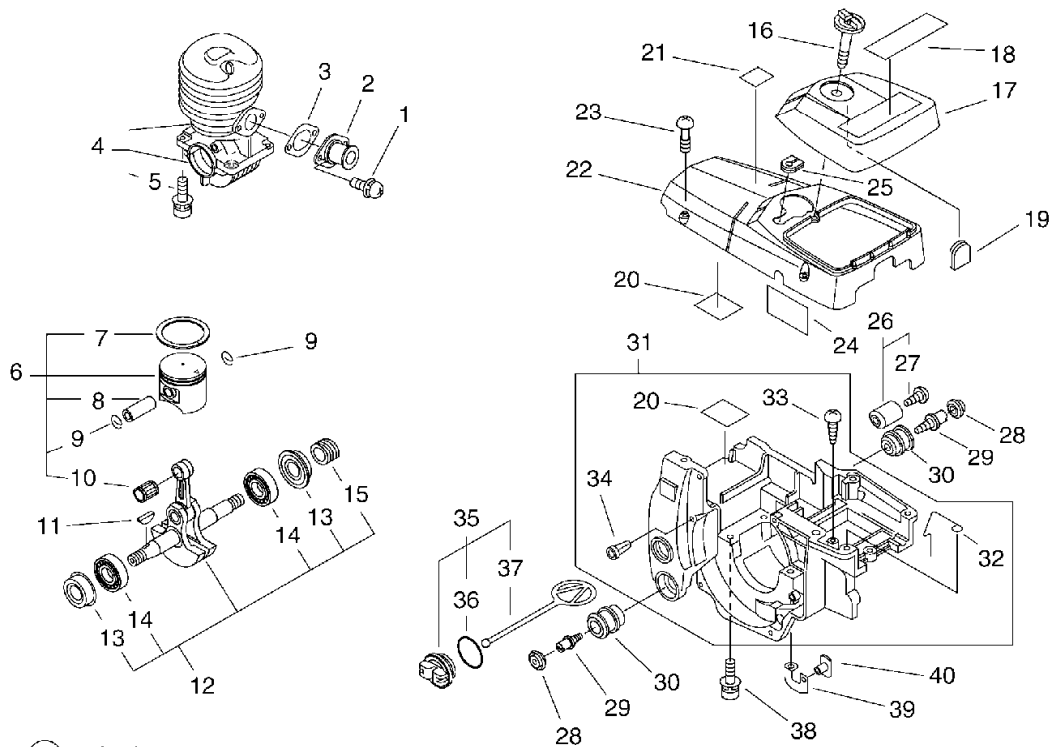


(W) 07/02/640132

KEY	LV	PART NUMBER	Q'TY	DESCRIPTION	REMARKS	NOTE1	NOTE2
1		900238-05012	2	SCREW 5*12	5*12		
2		130510-39932	1	ADAPTER, INTAKE			
3		130016-39930	1	GASKET, INTAKE			
4		P021-004131	1	CRANKCASE SET			
5	+	900162-05022	4	BOLT, H.S. 5*22	5*22 W,SW		
6		100000-59531	1	PISTON KIT			
7	+	100011-37330	1	RING, PISTON			
8	+	100013-35430	1	PIN, PISTON	6*9*27.8		
9	+	100015-03931	2	CIRCLIP, PISTON PIN			
10	+	100012-35430	1	BEARING, NEEDLE	9*12*12		
11		100142-39130	1	KEY, WOODRUFF			
12		P021-007240	1	CRANKSHAFT ASY			
13	+	V505-000010	2	SEAL,OIL 12			
14	+	900888-36201	2	BEARING, BALL 6201	6201		
15	+	437063-38330	1	GEAR, WORM			
16		A235-000020	1	KNOB,CLEANER LID			
17		A232-000022	1	LID,CLEANER			
18		X503-006141	1	LABEL,MODEL	CSB4200 ES ST1		
19		130338-32430	1	PLUG, COVER			
20		101520-35430	1	COVER			
21		890345-39230	1	LABEL CAUTION			
22		A160-000015	1	COVER,CYLINDER			
23		163890-38330	3	BOLT, 5			
24		890016-06411	1	LABEL, CAUTION			
25		V135-000010	1	GROMMET,HT CORD			

1. クランク室・エンジンカバー

CS-4200ES 1. クランク室・エンジンカバー

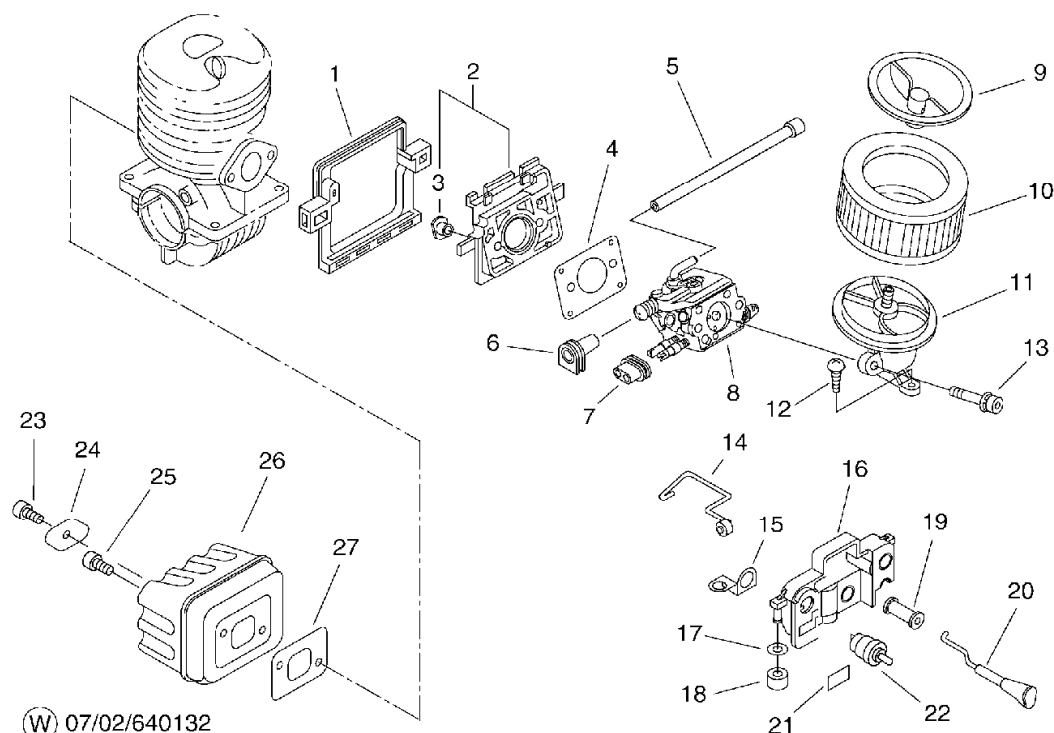


(W) 07/02/640132

KEY	LV	PART NUMBER	Q'TY	DESCRIPTION	REMARKS	NOTE1	NOTE2
26		433000-60930	1	CATCHER KIT, CHAIN			
27	+	900253-05020	1	SCREW 5*20	5*20		
28		100918-19830	2	CAP, CUSHION			
29		100915-33930	2	SCREW			
30		100910-60030	2	CUSHION			
31		P021-007181	1	COVER, ENGINE			
20	+	101520-35430	1	COVER			
32	+	606416-60631	1	WIRE			
33	+	900253-04008	1	SCREW 4*8	4*8		
34	+	436114-13930	1	VALVE, CHECK			
50	+	433011-19830	2	STUD, GUIDE BAR			
35		436001-39232	1	CAP, OIL			
36	+	900721-00025	1	O-RING 25	G-25		
37	+	A365-000050	1	CONNECTOR,CAP			
38		900162-05030	4	BOLT, H.S. 5*30	5*30 W,SW		
39		162011-60630	1	PLATE, GROUND			
40		130020-60630	2	NUT 5			

2. エアクリーナ・マフラ (消音器)

CS-4200ES 2. エアクリーナ・マフラー(消音器)

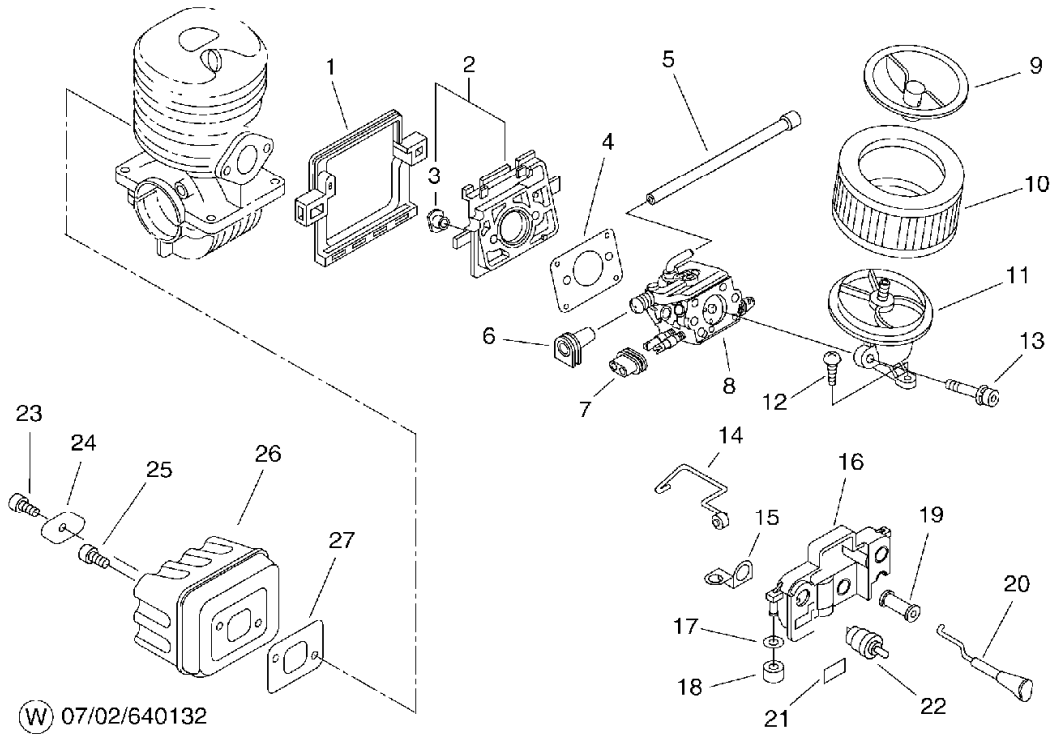


Ⓜ 07/02/640132

KEY	LV	PART NUMBER	Q'TY	DESCRIPTION	REMARKS	NOTE1	NOTE2
1		130366-39930	1	CUSHION			
2		130007-39931	1	INSULATOR			
3	+	130020-33330	2	NUT			
4		130010-38330	1	GASKET, INTAKE			
5		130110-54430	1	PIPE, IMPULSE	3*6*105 NBR		
6		129023-39930	1	GROMMET, IDLE			
7		129010-33330	1	GROMMET			
8		A021-000080	1	CARBURETOR, DIAPHRAGM	WT-567		
9		130405-38332	1	BRACKET, AIR CLEANER			
10		130300-39730	1	CLEANER ASM., AIR			
11		130301-39935	1	ADAPTER, INTAKE	ID #1230		
12		900253-05016	1	SCREW	5*16		
13		900162-05050	2	BOLT, H.S. 5*50	5*50 W,SW		
14		C454-000012	1	ROD, THROTTLE			
15		163413-59530	1	PLATE, CONTACT			
16		163810-59535	1	BRACKET, SWITCH			
17		900600-00005	2	WASHER 5	5		
18		351134-39930	2	CUSHION			
19		178810-14534	1	GROMMET			
20		A241-000100	1	KNOB, CHOKE			
21		890157-11130	1	LABEL, SWITCH			
22		163400-35430	1	SWITCH, IGNITION			
23		900105-04006	1	BOLT, H.S. 4*6	4*6		
24		145711-60631	1	STAY, MUFFLER			
25		900105-05014	2	BOLT, H.S. 5*14	5*14		
26		145610-39930	1	MUFFLER			

2. エアクリーナ・マフラ (消音器)

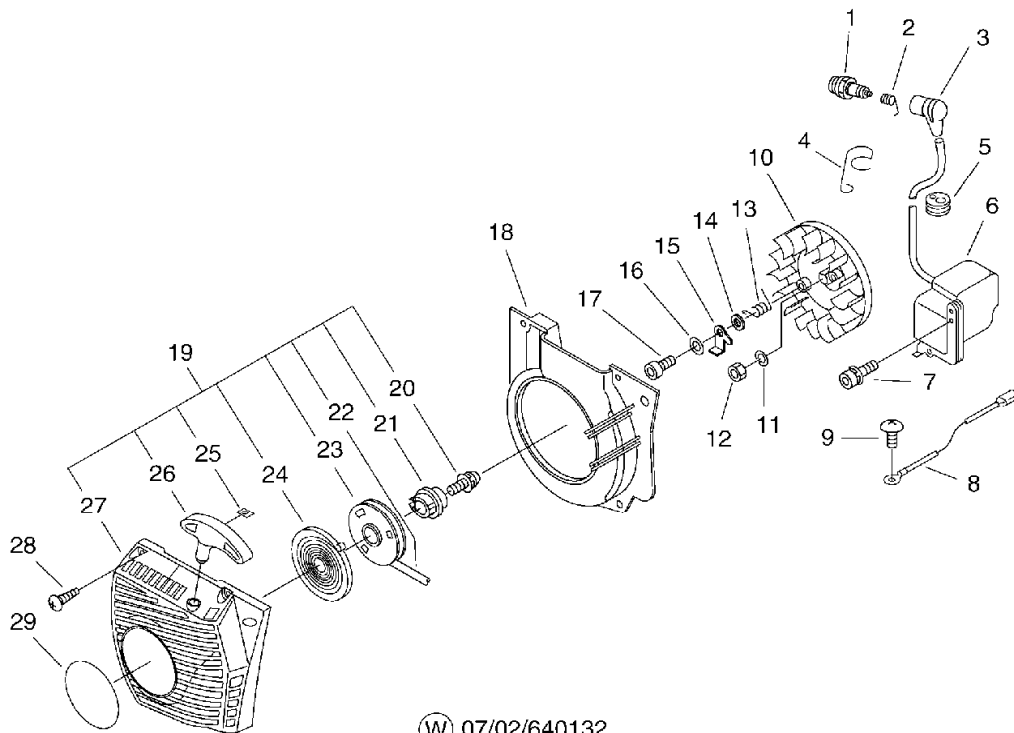
CS-4200ES 2. エアクリーナ・マフラー(消音器)



KEY	LV	PART NUMBER	Q'TY	DESCRIPTION	REMARKS	NOTE1	NOTE2
27		145510-35431	1	GASKET, MUFFLER			

3. マグネット・リコイルスタータ

CS-4200ES 3. マグネット・リコイルスタータ

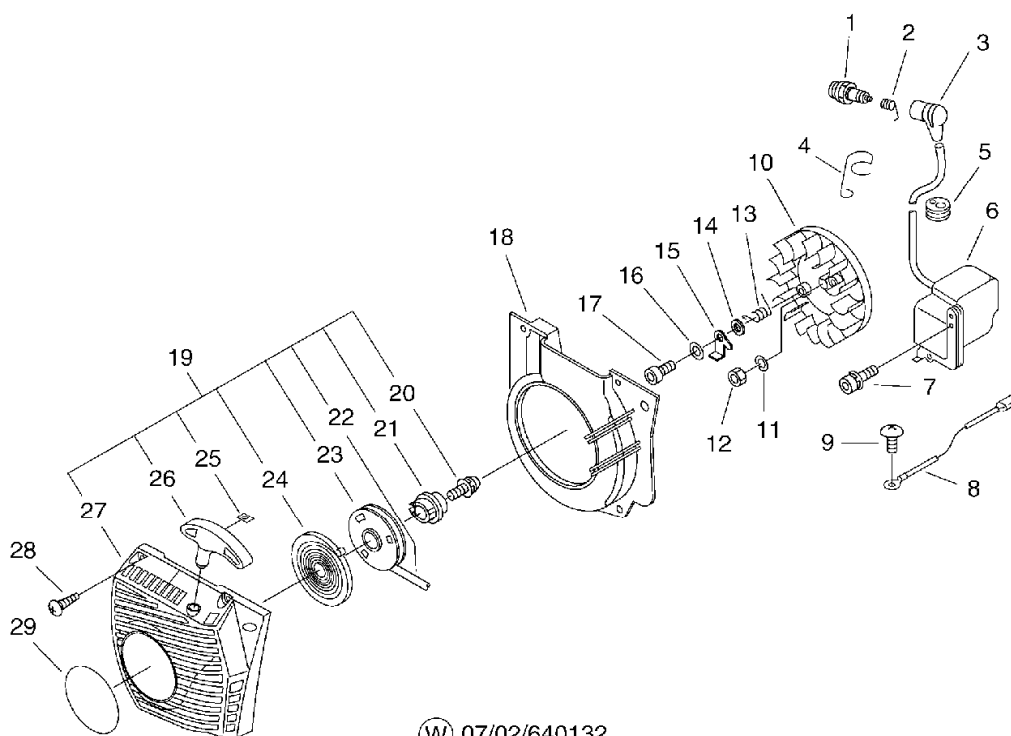


(W) 07/02/640132

KEY	LV	PART NUMBER	Q'TY	DESCRIPTION	REMARKS	NOTE1	NOTE2
1		159010-10630	1	PLUG, SPARK (BPM-7A)	BPM-7A		
2		A426-000010	1	TERMINAL, SPARK PLUG			
3		A427-000012	1	CAP, SPARK PLUG			
4		159118-39930	1	GUIDE, CORD			
5		151112-04630	1	BUSHING			
6		156626-60630	1	COIL, IGNITION	EMG-44		
7		900162-05022	2	BOLT, H.S. 5*22	5*22 W, SW		
8		156630-39930	1	LEAD, GROUND			
9		900216-04006	1	SCREW	4*6		
10		156801-60630	1	FLYWHEEL	EGM-44		
11		900605-00008	1	WASHER, SPRING 8	8		
12		900500-00008	1	NUT 8	8*P1.25		
13		177234-35430	2	SPRING, RETURN			
14		177247-04630	2	SPACER, RATCHET	5.2*8*2.1		
15		177218-35430	2	PAWL, STARTER			
16		900603-00005	2	WASHER 5	5.5*12*0.8		
17		V203-000090	2	BOLT, 5	M5*14		
18		101535-39933	1	COVER, FAN			
19		A051-000581	1	STARTER, RECOIL			
20	+	P022-004630	1	SCREW			
21	+	P022-008020	1	CATCHER, PAWL			
22	+	P022-006231	1	ROPE			
23	+	P022-006240	1	REEL COMP			
24	+	P022-006250	1	SPRING, SPIRAL			
25	+	177246-11120	1	CLIP, STARTER ROPE			
26	+	P022-001320	1	GRIP, STARTER			

3. マグネット・リコイルスタータ

CS-4200ES 3. マグネット・リコイルスタータ

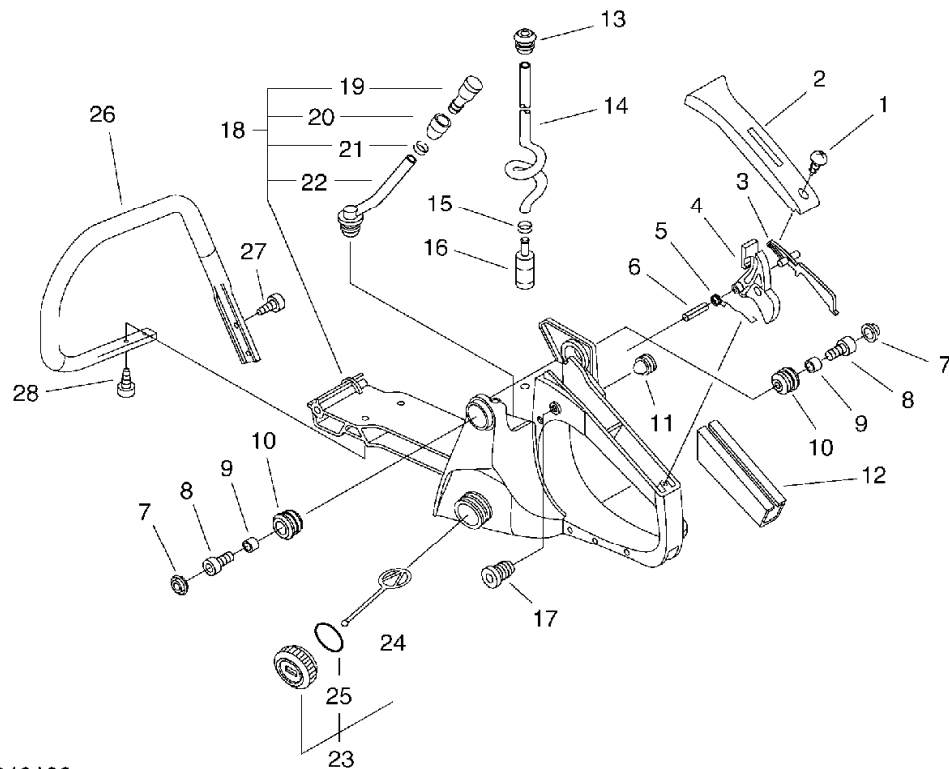


Ⓜ 07/02/640132

KEY	LV	PART NUMBER	Q'TY	DESCRIPTION	REMARKS	NOTE1	NOTE2
27	+	A500-000151	1	CASE, STARTER			
28		900223-04016	4	SCREW	4*16		
29		890118-49330	1	LABEL, ECHO			

4. ハンドル

CS-4200ES 4. ハンドル

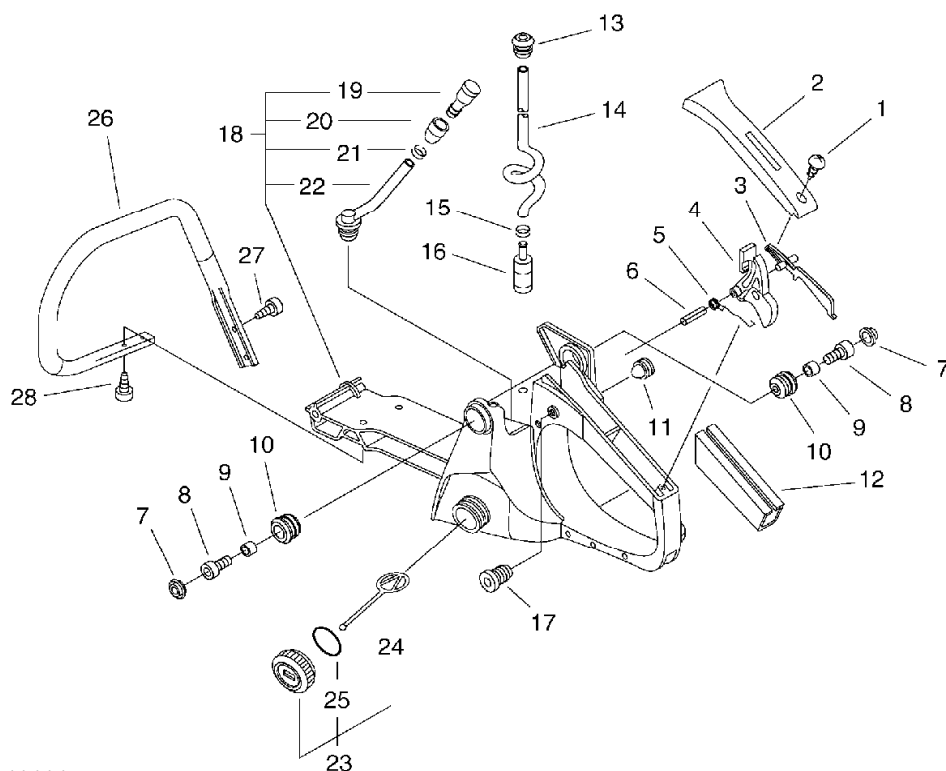


W 07/02/640132

KEY	LV	PART NUMBER	Q'TY	DESCRIPTION	REMARKS	NOTE1	NOTE2
1		900253-04014	1	SCREW 4*14	4*14		
2		351155-35430	1	COVER, HANDLE (BL)			
3		178090-37930	1	LOCKOUT, T. CONTROL			
4		C450-000000	1	TRIGGER, THROTTLE			
5		178043-35430	1	SPRING, THR. RETURN			
6		900345-40030	1	PIN, SPRING 4*30SUS	4*30SUS		
7		100918-19830	2	CAP, CUSHION			
8		900105-04020	2	BOLT, H.S. 4*20	4*20		
9		100915-15131	2	SUPPORTER, CUSHION			
10		100910-19730	2	CUSHION			
11		100252-39930	2	CUSHION			
12		351111-19830	1	GRIP, HANDLE			
13		132115-04920	1	GROMMET			
14		132010-00760	1	PIPE, FUEL	3*5*250L		
15		132013-09820	1	CLIP	6MM		
16		131205-19830	1	STRAINER, FUEL			
17		V162-000040	1	PLUG			
18		351103-39934	1	HANDLE, REAR			
19	+	131300-56430	1	VALVE, CHECK			
20	+	131328-40630	1	COVER, VENT			
21	+	132013-26630	1	CLIP	6.5MM		
22	+	132012-39930	1	PIPE, W/GROMMET	L65 NBR		
23		131004-37932	1	CAP ASY, FUEL			
24	+	A365-000050	1	CONNECTOR, CAP			
25	+	900720-00022	1	O-RING 22	P-22		
26		C400-000190	1	HANDLE, FRONT			

4. ハンドル

CS-4200ES 4. ハンドル

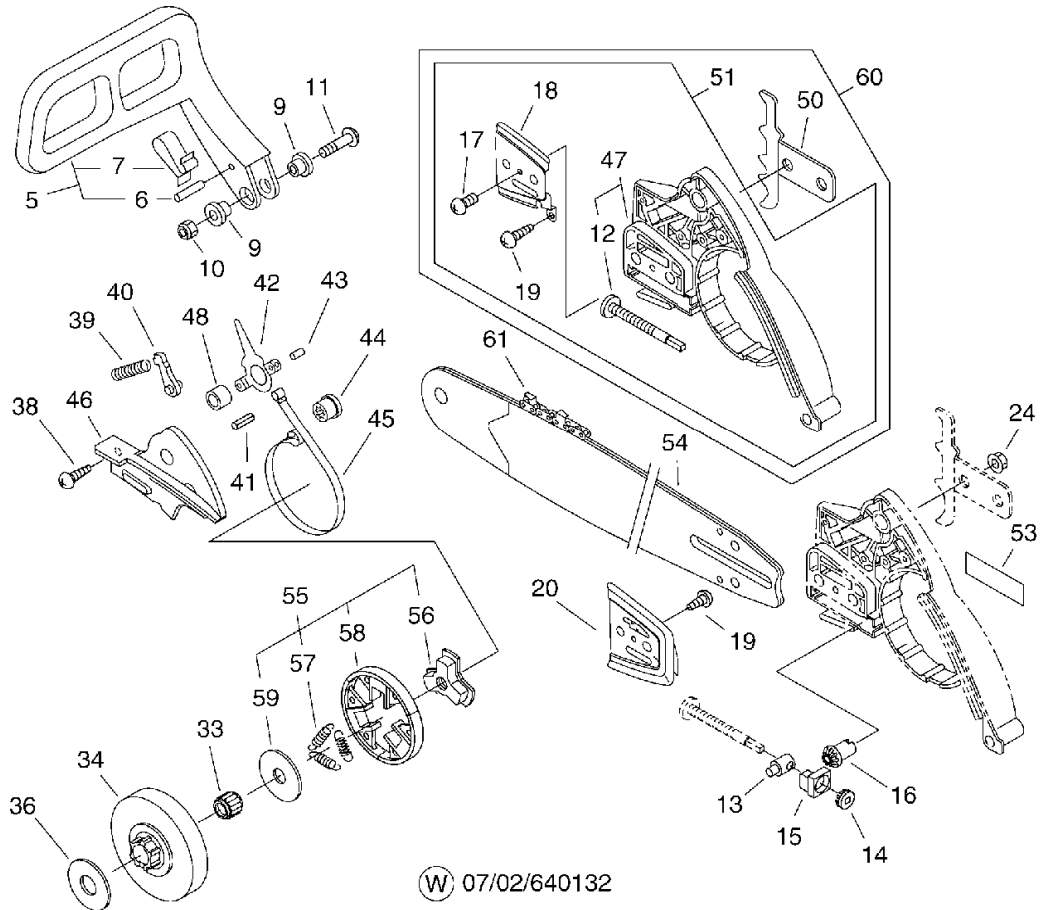


W 07/02/640132

KEY	LV	PART NUMBER	Q'TY	DESCRIPTION	REMARKS	NOTE1	NOTE2
27		91145-05020	2	BOLT HS TAPPING	5*20		
28		91145-05016	2	BOLT HS TAPPING	5*16		

5. クラッチ・チェンブレーキ・ガイドバー

CS-4200ES 5. クラッチ・チェンブレーキ・ガイドバー

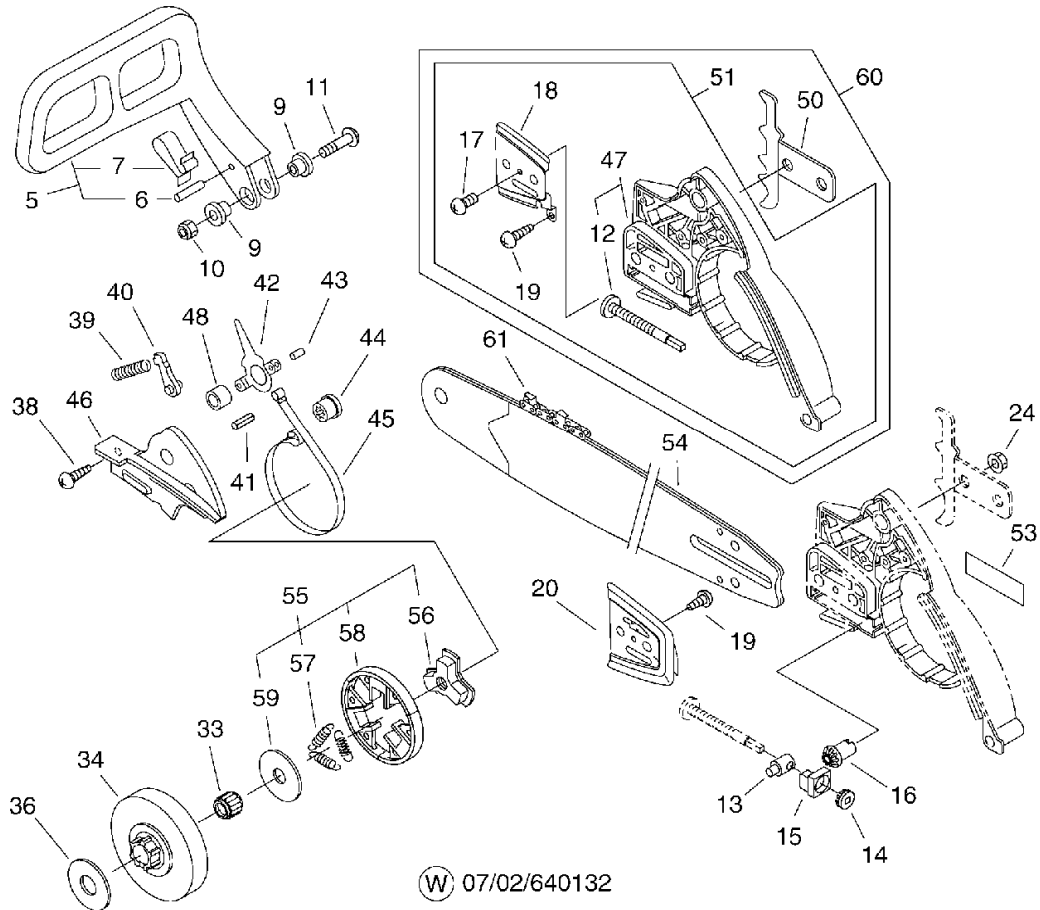


W 07/02/640132

KEY	LV	PART NUMBER	Q'TY	DESCRIPTION	REMARKS	NOTE1	NOTE2
5		433105-60030	1	LEVER, BRAKE			
6	+	900330-30240	1	PIN 3*24	3*23.8		
7	+	433114-38331	1	SPRING			
9		433167-39130	2	SPACER			
10		900562-50005	1	LOCKNUT 5	5		
11		91318-05032	1	SCREW	5*32		
13		C309-000030	1	TENSIONER, CHAIN			
14		V651-000011	1	GEAR, BEVEL			
15		V355-000270	1	COLLAR, 8			
16		V651-000001	1	GEAR, BEVEL			
19		900253-04008	1	SCREW 4*8	4*8		
20		433012-39930	1	PLATE, GUIDE			
24		433019-12330	2	NUT, FLANGE 8	M-8		
33		175012-00831	1	BEARING, NEEDLE			
34		A556-000171	1	DRUM, CLUTCH			
36		175019-38330	1	PLATE, CLUTCH			
38		900253-04010	2	SCREW 4*10	4*10		
39		433122-35430	1	SPRING, BRAKE			
40		433209-35430	1	STOPPER, BRAKE			
41		900342-25012	1	PIN, SPRING 2.5*12	2.5*12		
42		433208-35431	1	LEVER, BRAKE			
43		900330-40088	1	ROLLER 4*8.8	4*8.8		
44		433142-35430	1	ADJUSTER, BRAKE			
45		C328-000060	1	BAND, BRAKE			
46		433310-38330	1	COVER, BRAKE			
51		P021-001315	1	GUARD, SPROCKET SET			

5. クラッチ・チェンブレーキ・ガイドバー

CS-4200ES 5. クラッチ・チェンブレーキ・ガイドバー

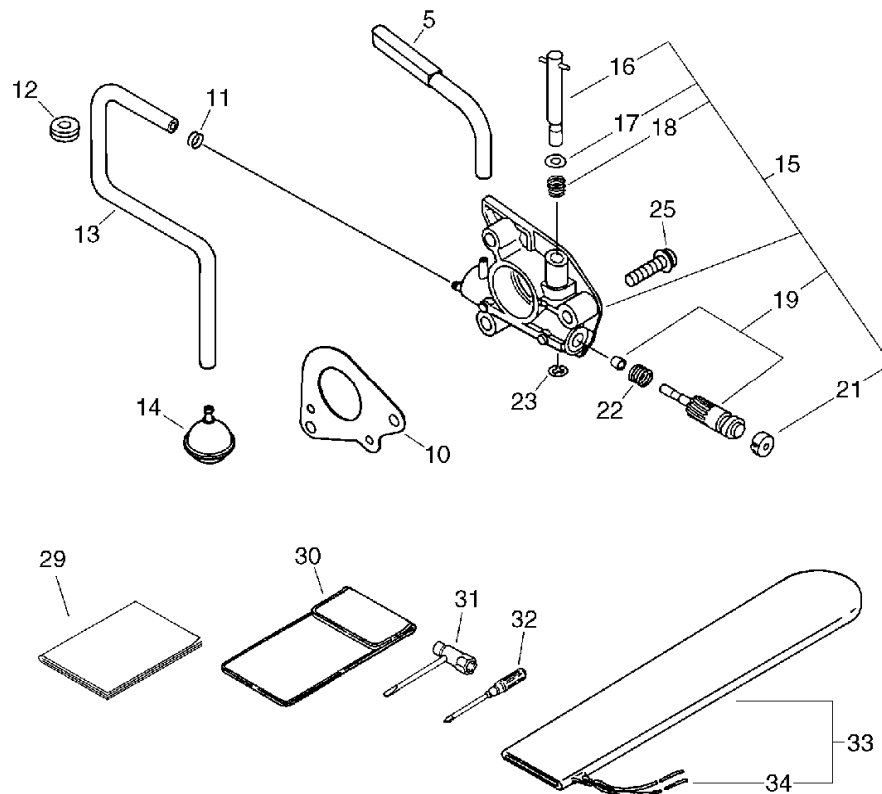


W 07/02/640132

KEY	LV	PART NUMBER	Q'TY	DESCRIPTION	REMARKS	NOTE1	NOTE2
17	++	900220-03006	1	SCREW 3*6	3*6		
18	++	C305-000011	1	PLATE, SPROCKET GUARD			
19	++	900253-04010	1	SCREW 4*10	4*10		
47	++	P021-010171	1	GUARD, SPROCKET KIT			
12	+++	V203-000110	1	BOLT, 5			
50	+	C304-000020	1	SPIKED			
53		X502-000020	1	LABEL, ECHO			
54		430517-30131	1	BAR, GUIDE 45RV58-325	45RV58-325E		
55		P021-007060	1	CLUTCH ASY W/PLATE			
56	+	A552-000060	1	HUB, CLUTCH			
57	+	V451-000500	3	SPRING, TENSION			
58	+	P021-007050	1	CLUTCH SHOE SET			
59	+	175019-39430	1	PLATE, CLUTCH			
61		431717-30230	1	CHAIN, SAW 21BP-72E	21BP-72E		

6. オートオイラー・付属工具

CS-4200ES 6. オートオイラー・付属工具

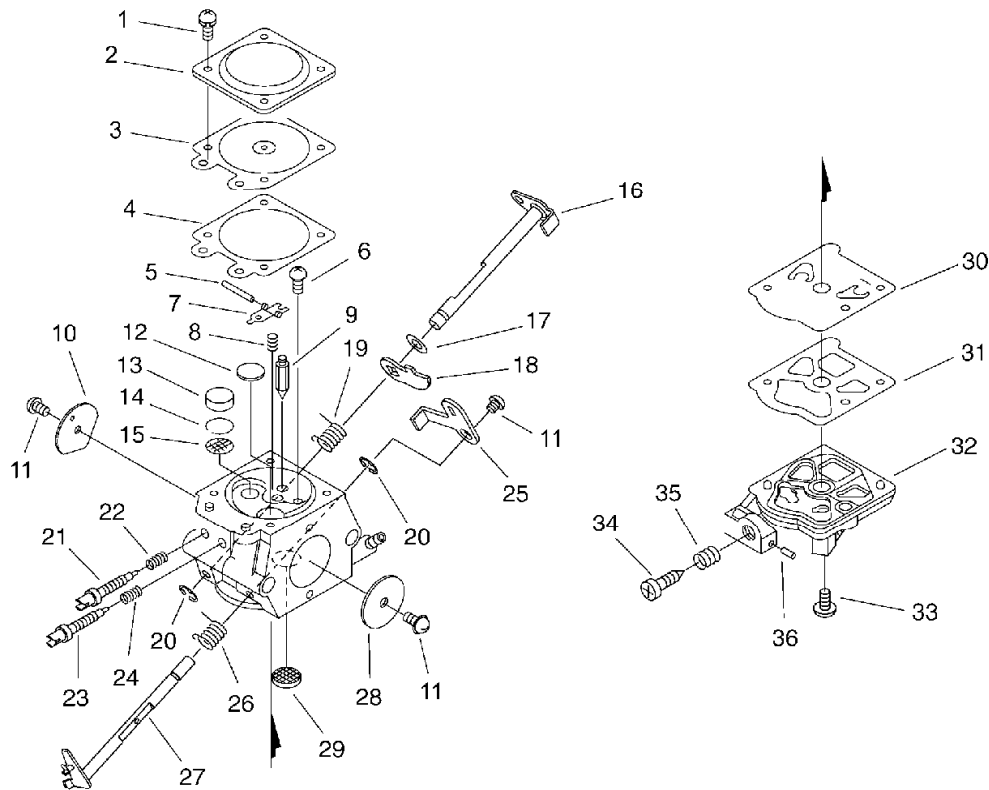


Ⓜ 07/02/640132

KEY	LV	PART NUMBER	Q'TY	DESCRIPTION	REMARKS	NOTE1	NOTE2
5		437210-39931	1	PIPE			
10		175310-38330	1	PLATE, SEAL			
11		132013-26630	1	CLIP	6.5MM		
12		132115-12330	1	GROMMET			
13		437210-35430	1	PIPE			
14		436205-14730	1	STRAINER, OIL			
15		437002-38330	1	AUTO-OILER ASSY			
16	+	437016-38330	1	NEEDLE, ADJUST			
17	+	437029-37330	1	WASHER			
18	+	437015-37330	1	SPRING			
19	+	437024-37330	1	PLUNGER			
21	+	437062-38330	1	CAP, OIL PUMP			
22	+	437019-38330	1	SPRING			
23	+	123127-15030	1	RING			
25		900223-04016	2	SCREW	4*16		
29		X750-008742	1	MANUAL, OPERATOR	CS-4200ES		
30		898510-39130	1	BAG, TOOL			
31		895410-02830	1	WRENCH, W/S. DRIVER			
32		895812-03930	1	DRIVER, SCREW 50			
33		898567-38330	1	SCABBARD, GUIDE BAR			
34	+	898568-14530	1	ROPE	5*900		

7. キャブレタ (気化器)

7. キャブレタ (気化器)

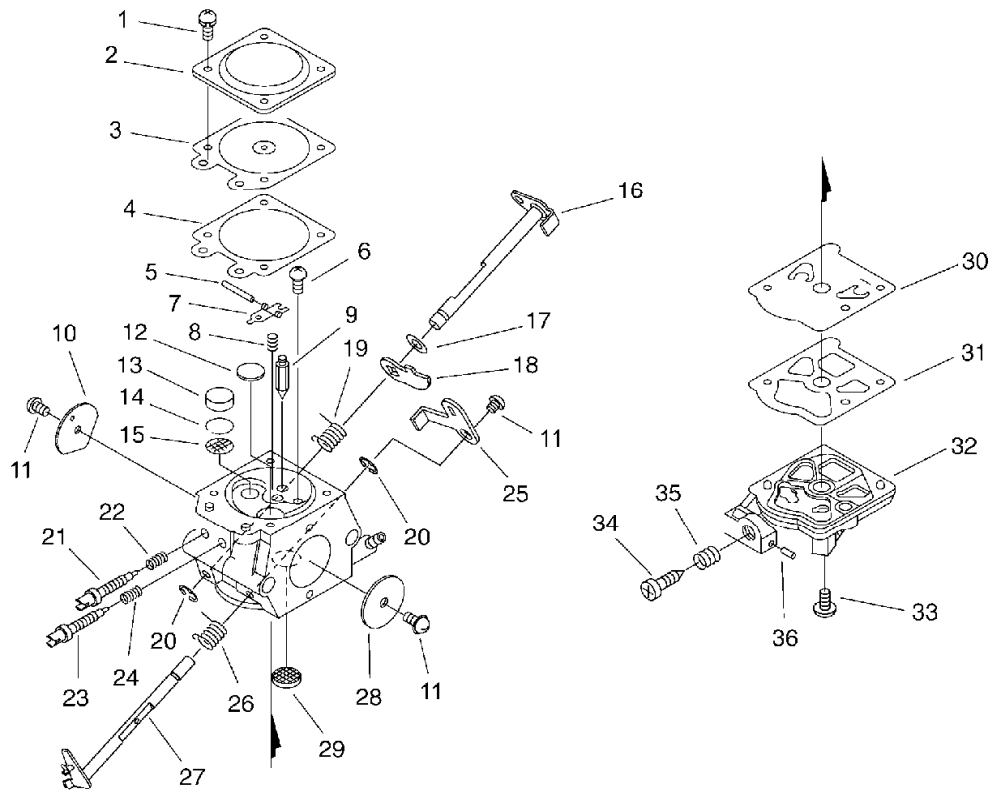


W 07/02/640132

KEY	LV	PART NUMBER	Q'TY	DESCRIPTION	REMARKS	NOTE1	NOTE2
		A021-000080	1	CARBURETOR,DIAPHRAGM	WT-567		
1	+	123130-02960	4	SCREW			
2	+	123142-03930	1	COVER, M. DIAPHRAGM			
3	+	123141-03930	1	DIAPHRAGM, METERING			
4	+	123140-03930	1	GASKET, M. DIAPHRAGM			
5	+	123138-03930	1	PIN, METERING LEVER			
6	+	123139-03930	1	SCREW, M. LEVER PIN			
7	+	123123-38330	1	LEVER, METERING			
8	+	123122-39330	1	SPRING, METER. LEVER			
9	+	123137-19830	1	VALVE, INLET NEEDLE			
10	+	123132-37330	1	VALVE, CHOKE			
11	+	123114-38830	3	SCREW			
12	+	123146-10631	1	PLUG, WELCH			
13	+	123146-17330	1	PLUG, CUP			
14	+	123169-10630	1	RING, RETAINING			
15	+	123168-10631	1	SCREEN			
16	+	P003-000150	1	CHOKE, SHAFT			
17	+	123149-26030	1	WASHER			
18	+	P003-000160	1	LEVER-FAST IDLE			
19	+	P003-000140	1	SPRING			
20	+	123127-15030	2	RING			
21	+	123120-38330	1	NEEDLE, HIGH SPEED			
22	+	123119-22130	1	SPRING, NEEDLE			
23	+	123118-38330	1	NEEDLE, IDLE			
24	+	123121-22130	1	SPRING, NEEDLE			
25	+	P003-000130	1	THROTTLE, LEVER			

7. キャブレタ (気化器)

7. キャブレタ (気化器)

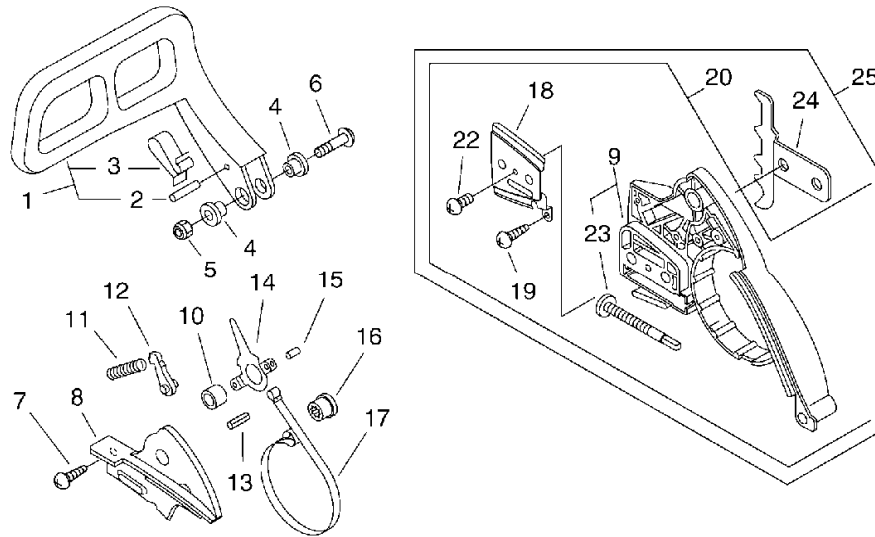


W 07/02/640132

KEY	LV	PART NUMBER	Q'TY	DESCRIPTION	REMARKS	NOTE1	NOTE2
26	+	123113-37530	1	SPRING, THROTTLE RTN			
27	+	P003-000120	1	SHAFT, THROTTLE			
28	+	123116-10530	1	VALVE, THROTTLE			
29	+	123126-10631	1	SCREEN, INLET			
30	+	123112-15030	1	DIAPHRAGM, FUEL PUMP			
31	+	123125-15030	1	GASKET, FUEL PUMP			
32	+	123124-38330	1	COVER, FUEL PUMP			
33	+	123110-03930	1	SCREW, PUMP COVER			
34	+	123134-04260	1	SCREW, IDLE ADJUST			
35	+	123133-04260	1	SPRING, IDLE ADJUST			
36	+	123178-15030	1	PLUG, FRICTION			

8. チェンブレーキASY

CS-4200ES 8. チェンブレーキ ASY



W 07/02/640132

KEY	LV	PART NUMBER	Q'TY	DESCRIPTION	REMARKS	NOTE1	NOTE2
	+	P021-010302	1	BRAKE,ASM CHAIN			
1	+	433105-60030	1	LEVER, BRAKE			
2	++	900330-30240	1	PIN 3*24	3*23.8		
3	++	433114-38331	1	SPRING			
4	+	433167-39130	2	SPACER			
5	+	900562-50005	1	LOCKNUT 5	5		
6	+	91318-05032	1	SCREW	5*32		
7	+	900253-04010	2	SCREW 4*10	4*10		
8	+	433310-38330	1	COVER, BRAKE			
10	+	433115-38330	1	WASHER 5.2*12*14	5.2*12*14		
11	+	433122-35430	1	SPRING, BRAKE			
12	+	433209-35430	1	STOPPER, BRAKE			
13	+	900342-25012	1	PIN, SPRING 2.5*12	2.5*12		
14	+	433208-35431	1	LEVER, BRAKE			
15	+	900330-40088	1	ROLLER 4*8.8	4*8.8		
16	+	433142-35430	1	ADJUSTER, BRAKE			
17	+	C328-000060	1	BAND, BRAKE			
9	+++	P021-010170	1	GUARD, SPROCKET KIT			
23	+++	V203-000110	1	BOLT,5			
18	+++	C305-000011	1	PLATE, SPROCKET GUARD			
19	+++	900253-04008	1	SCREW 4*8	4*8		
22	+++	900220-03006	1	SCREW 3*6	3*6		
24	++	C304-000020	1	SPIKED			

Index

Patrs Number	Key No.	Patrs Number	Key No.	Patrs Number	Key No.
100000-59531	1 - 6	129023-39930	2 - 6	351103-39934	4 - 18
100011-37330	1 - 7	130007-39931	2 - 2	351111-19830	4 - 12
100012-35430	1 - 10	130010-38330	2 - 4	351134-39930	2 - 18
100013-35430	1 - 8	130016-39930	1 - 3	351155-35430	4 - 2
100015-03931	1 - 9	130020-33330	2 - 3	430517-30131	5 - 54
100142-39130	1 - 11	130020-60630	1 - 40	431717-30230	5 - 61
100252-39930	4 - 11	130110-54430	2 - 5	433000-60930	1 - 26
100910-19730	4 - 10	130300-39730	2 - 10	433011-19830	1 - 50
100910-60030	1 - 30	130301-39935	2 - 11	433012-39930	5 - 20
100915-15131	4 - 9	130338-32430	1 - 19	433019-12330	5 - 24
100915-33930	1 - 29	130366-39930	2 - 1	433105-60030	5 - 5
100918-19830	1 - 28	130405-38332	2 - 9	433105-60030	8 - 1
100918-19830	4 - 7	130510-39932	1 - 2	433114-38331	5 - 7
101520-35430	1 - 20	131004-37932	4 - 23	433114-38331	8 - 3
101520-35430	1 - 20	131205-19830	4 - 16	433115-38330	8 - 10
101535-39933	3 - 18	131300-56430	4 - 19	433122-35430	5 - 39
123110-03930	7 - 33	131328-40630	4 - 20	433122-35430	8 - 11
123112-15030	7 - 30	132010-00760	4 - 14	433142-35430	5 - 44
123113-37530	7 - 26	132012-39930	4 - 22	433142-35430	8 - 16
123114-38830	7 - 11	132013-09820	4 - 15	433167-39130	5 - 9
123116-10530	7 - 28	132013-26630	4 - 21	433167-39130	8 - 4
123118-38330	7 - 23	132013-26630	6 - 11	433208-35431	5 - 42
123119-22130	7 - 22	132115-04920	4 - 13	433208-35431	8 - 14
123120-38330	7 - 21	132115-12330	6 - 12	433209-35430	5 - 40
123121-22130	7 - 24	145510-35431	2 - 27	433209-35430	8 - 12
123122-39330	7 - 8	145610-39930	2 - 26	433310-38330	5 - 46
123123-38330	7 - 7	145711-60631	2 - 24	433310-38330	8 - 8
123124-38330	7 - 32	151112-04630	3 - 5	436001-39232	1 - 35
123125-15030	7 - 31	156626-60630	3 - 6	436114-13930	1 - 34
123126-10631	7 - 29	156630-39930	3 - 8	436205-14730	6 - 14
123127-15030	6 - 23	156801-60630	3 - 10	437002-38330	6 - 15
123127-15030	7 - 20	159010-10630	3 - 1	437015-37330	6 - 18
123130-02960	7 - 1	159118-39930	3 - 4	437016-38330	6 - 16
123132-37330	7 - 10	162011-60630	1 - 39	437019-38330	6 - 22
123133-04260	7 - 35	163400-35430	2 - 22	437024-37330	6 - 19
123134-04260	7 - 34	163413-59530	2 - 15	437029-37330	6 - 17
123137-19830	7 - 9	163810-59535	2 - 16	437062-38330	6 - 21
123138-03930	7 - 5	163890-38330	1 - 23	437063-38330	1 - 15
123139-03930	7 - 6	175012-00831	5 - 33	437210-35430	6 - 13
123140-03930	7 - 4	175019-38330	5 - 36	437210-39931	6 - 5
123141-03930	7 - 3	175019-39430	5 - 59	606416-60631	1 - 32
123142-03930	7 - 2	175310-38330	6 - 10	890016-06411	1 - 24
123146-10631	7 - 12	177218-35430	3 - 15	890118-49330	3 - 29
123146-17330	7 - 13	177234-35430	3 - 13	890157-11130	2 - 21
123149-26030	7 - 17	177246-11120	3 - 25	890345-39230	1 - 21
123168-10631	7 - 15	177247-04630	3 - 14	895410-02830	6 - 31
123169-10630	7 - 14	178043-35430	4 - 5	895812-03930	6 - 32
123178-15030	7 - 36	178090-37930	4 - 3	898510-39130	6 - 30
129010-33330	2 - 7	178810-14534	2 - 19	898567-38330	6 - 33

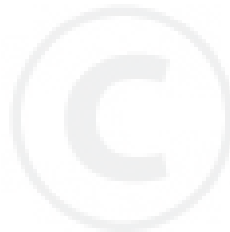
Index

Patrs Number	Key No.	Patrs Number	Key No.	Patrs Number	Key No.
898568-14530	6 - 34	A241-000100	2 - 20	X503-006141	1 - 18
900105-04006	2 - 23	A365-000050	1 - 37	X750-008742	6 - 29
900105-04020	4 - 8	A365-000050	4 - 24		
900105-05014	2 - 25	A426-000010	3 - 2		
900162-05022	1 - 5	A427-000012	3 - 3		
900162-05022	3 - 7	A500-000151	3 - 27		
900162-05030	1 - 38	A552-000060	5 - 56		
900162-05050	2 - 13	A556-000171	5 - 34		
900216-04006	3 - 9	C304-000020	5 - 50		
900220-03006	5 - 17	C304-000020	8 - 24		
900220-03006	8 - 22	C305-000011	5 - 18		
900223-04016	3 - 28	C305-000011	8 - 18		
900223-04016	6 - 25	C309-000030	5 - 13		
900238-05012	1 - 1	C328-000060	5 - 45		
900253-04008	1 - 33	C328-000060	8 - 17		
900253-04008	5 - 19	C400-000190	4 - 26		
900253-04008	8 - 19	C450-000000	4 - 4		
900253-04010	5 - 38	C454-000012	2 - 14		
900253-04010	5 - 19	P003-000120	7 - 27		
900253-04010	8 - 7	P003-000130	7 - 25		
900253-04014	4 - 1	P003-000140	7 - 19		
900253-05016	2 - 12	P003-000150	7 - 16		
900253-05020	1 - 27	P003-000160	7 - 18		
900330-30240	5 - 6	P021-001315	5 - 51		
900330-30240	8 - 2	P021-004131	1 - 4		
900330-40088	5 - 43	P021-007050	5 - 58		
900330-40088	8 - 15	P021-007060	5 - 55		
900342-25012	5 - 41	P021-007181	1 - 31		
900342-25012	8 - 13	P021-007240	1 - 12		
900345-40030	4 - 6	P021-010170	8 - 9		
900500-00008	3 - 12	P021-010171	5 - 47		
900562-50005	5 - 10	P021-010302	8 -		
900562-50005	8 - 5	P022-001320	3 - 26		
900600-00005	2 - 17	P022-004630	3 - 20		
900603-00005	3 - 16	P022-006231	3 - 22		
900605-00008	3 - 11	P022-006240	3 - 23		
900720-00022	4 - 25	P022-006250	3 - 24		
900721-00025	1 - 36	P022-008020	3 - 21		
900888-36201	1 - 14	V135-000010	1 - 25		
91145-05016	4 - 28	V162-000040	4 - 17		
91145-05020	4 - 27	V203-000090	3 - 17		
91318-05032	5 - 11	V203-000110	5 - 12		
91318-05032	8 - 6	V203-000110	8 - 23		
A021-000080	2 - 8	V355-000270	5 - 15		
A021-000080	7 -	V451-000500	5 - 57		
A051-000581	3 - 19	V505-000010	1 - 13		
A160-000015	1 - 22	V651-000001	5 - 16		
A232-000022	1 - 17	V651-000011	5 - 14		
A235-000020	1 - 16	X502-000020	5 - 53		

YAMABIKO CORPORATION

7-2 SUEHIROCHO 1-CHOME, OHME, TOKYO 198-8760, JAPAN
PHONE: 81-428-32-6118. FAX: 81-428-32-6145.

ECHO®



00ES
No.