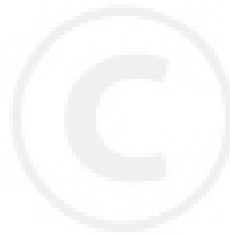




PARTS CATALOG

CHAIN SAW

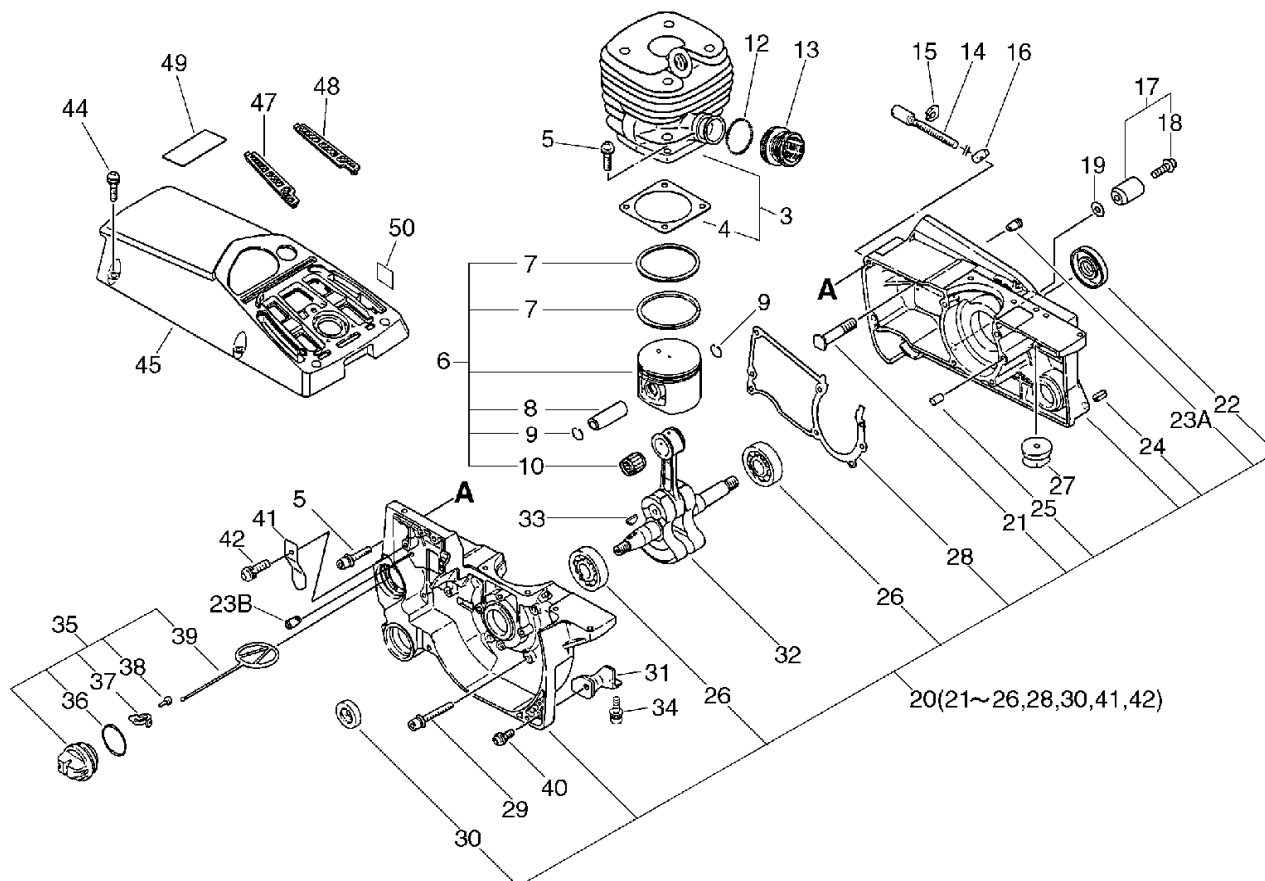
CS-5501



CS-5501

1. Cylinder, Crankcase, Piston

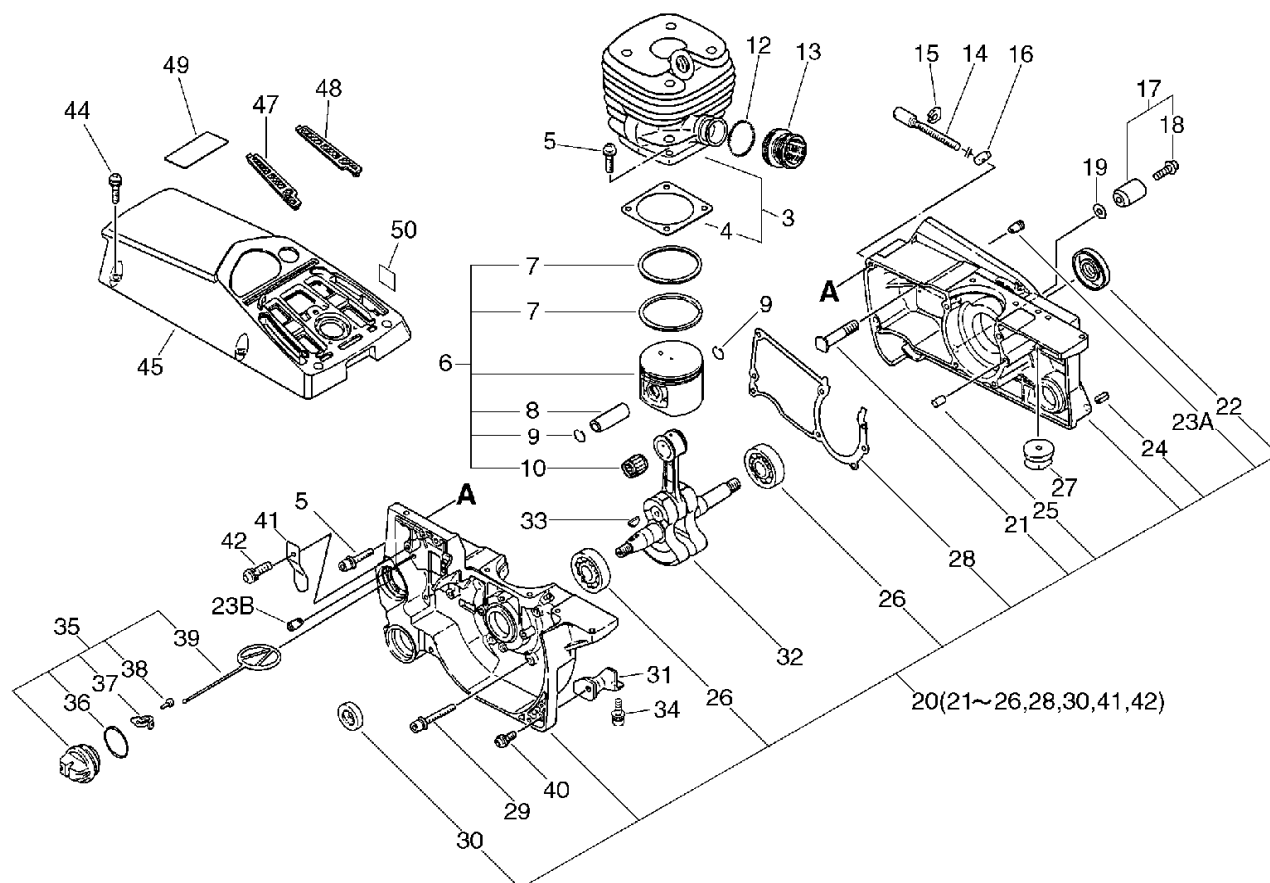
No.1



KEY	LV	PART NUMBER	Q'TY	DESCRIPTION	REMARKS	NOTE1	NOTE2
3		101001-32331	1	CYLINDER ASSY			
4	+	101010-32431	1	GASKET, CYL. BASE			
5		900162-05020	6	BOLT, H.S. 5*20	5*20 W,SW		
6		100000-32330	1	PISTON KIT			
7	+	100011-32330	2	RING, PISTON			
8	+	100013-32330	1	PIN, PISTON	7*11*32.8		
9	+	100015-32330	2	CIRCLIP, PISTON PIN			
10	+	100012-32330	1	BEARING, NEEDLE			
12		130516-30830	1	BAND			
13		130510-32430	1	ADAPTER, INTAKE			
14		433016-11031	1	SCREW, TENSIONER			
15		433028-11030	1	CLIP			
16		433014-02830	1	TENSIONER			
17		433000-19831	1	CATCHER KIT, CHAIN			
18	+	900220-05018	1	SCREW 5*18	5*18		
19		900600-00005	1	WASHER 5	5		
20		100204-32432	1	CRANKCASE KIT		Sus. by 100204-32435	
20		100204-32433	1	CRANKCASE KIT		Sus. by 100204-32435	
20		100204-32434	1	CRANKCASE KIT		Sus. by 100204-32435	
20		100204-32435	1	CRANKCASE KIT			
21	+	433011-19830	2	STUD, GUIDE BAR			
22	+	100212-32430	1	OILSEAL (L)	25Z-15*39.9*7		

1. Cylinder, Crankcase, Piston

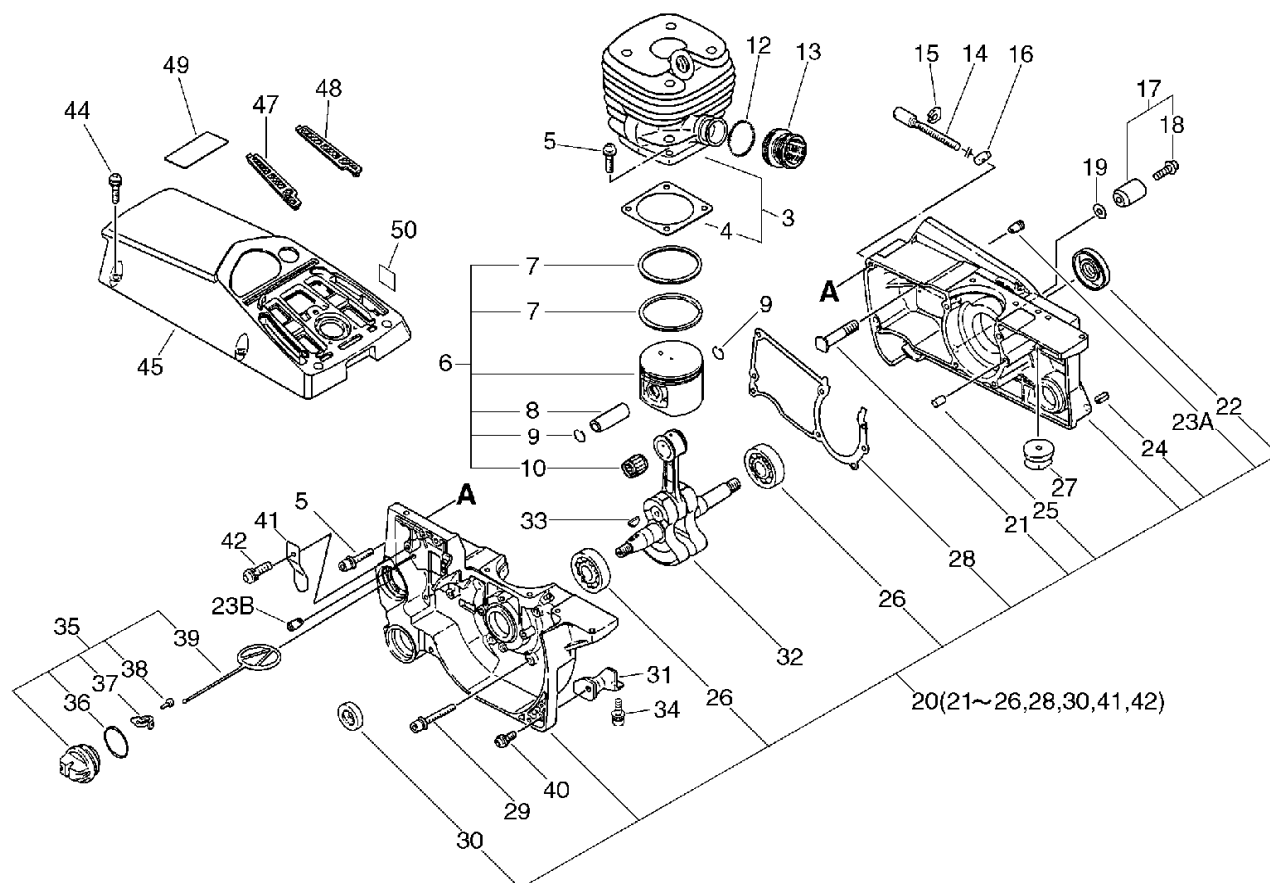
No.1



KEY	LV	PART NUMBER	Q'TY	DESCRIPTION	REMARKS	NOTE1	NOTE2
23A	+	436114-13930	1	VALVE, CHECK			Can be used on the 100204-32432 only
23B	+	436114-13930	1	VALVE, CHECK			Can be used on the 100204-32433 only
24	+	900345-50010	1	PIN, SPRING 5*10SUS	5*10SUS		
25	+	100215-02830	2	PIN, DOWEL			
26	+	900810-36202	2	BEARING, BALL 6202	6202/C3		
28	+	100242-32430	1	GASKET, CRANKCASE			
30	+	100212-19830	1	OILSEAL	ISM 15*25*6		
41	+	V150-000570	1	PLATE,EYE			Can be used on the 100204-32433 only
42	+	900242-04008	1	SCREW	4*8		Can be used on the 100204-32433 only
27		100251-32430	1	CUSHION (A)			
29		900162-05035	4	BOLT, H.S. 5*35	5*35 W,SW		
31		100917-32430	1	CUSHION (B)			
32		100100-32330	1	CRANKSHAFT ASSY			
33		100142-30830	1	KEY, WOODRUFF			
34		900162-05014	2	BOLT, H.S. 5*14	5*14 W,SW		Sus. by 900162-05014 Q'TY:1
34		900162-05014	1	BOLT, H.S. 5*14	5*14 W,SW		

1. Cylinder, Crankcase, Piston

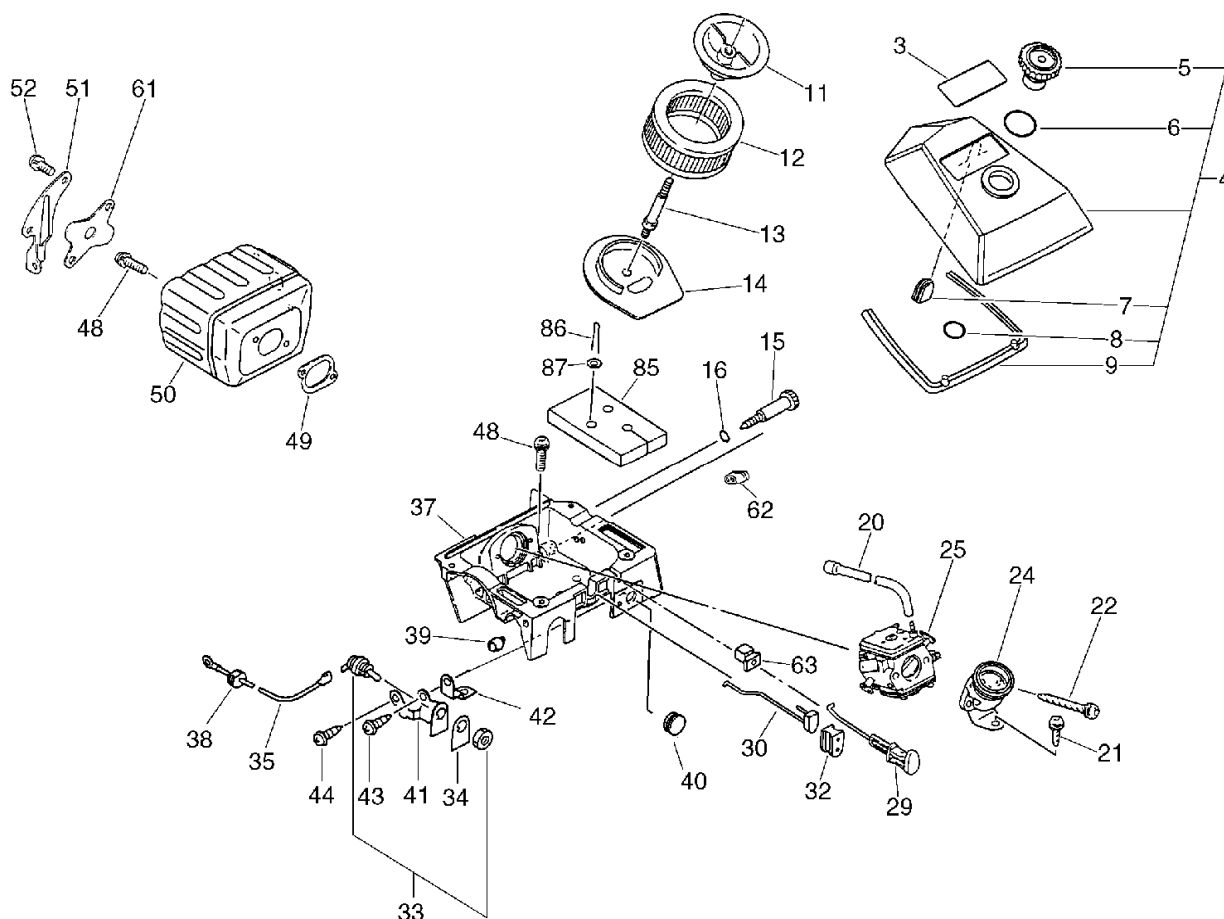
No.1



KEY	LV	PART NUMBER	Q'TY	DESCRIPTION	REMARKS	NOTE1	NOTE2
35		436001-19833	1	CAP ASSY, OIL TANK			
36	+	900725-02025	1	O-RING	JASO 2025		
37	+	131050-19830	1	RETAINER, LINK			
38	+	900246-03008	1	SCREW 3*8	3*8		
39	+	131051-19830	1	LINK	60L		
40		900238-05014	1	SCREW 5*14	5*14		
44		900238-05020	5	SCREW 5*20	5*20		
45		101506-32530	1	COVER, CYLINDER (BS)			
47		130823-32330	1	FILTER (L)			
48		130822-32330	1	FILTER (R)			
49		890345-39230	1	LABEL, CAUTION			
50		890631-38230	1	LABEL, CAUTION			

2. Air Cleaner, Muffler

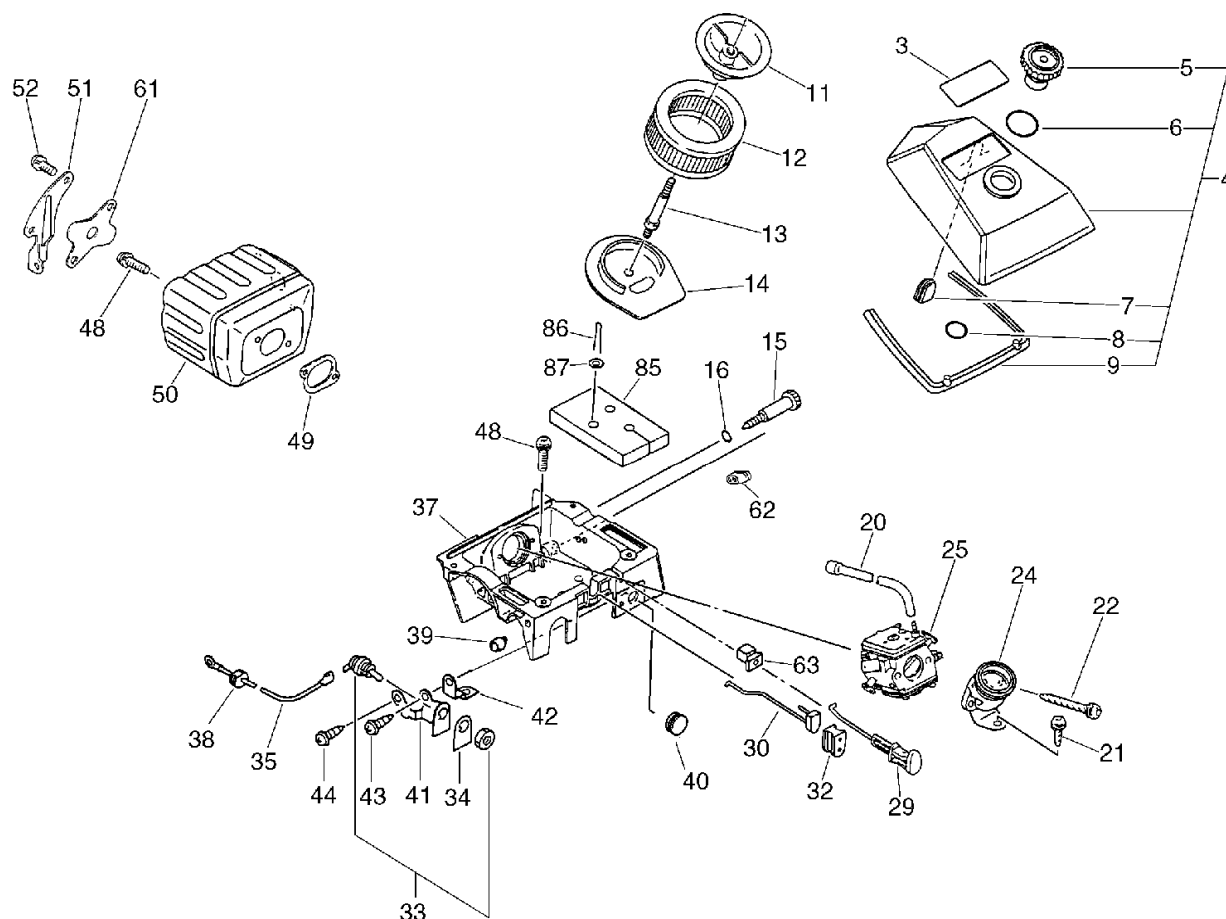
No.2



KEY	LV	PART NUMBER	Q'TY	DESCRIPTION	REMARKS	NOTE1	NOTE2
3		890151-38230	1	LABEL, MODEL			
4		130302-38131	1	COVER ASSY, AIR CLN.			
5	+	130406-33331	1	KNOB, CLEANER LID			
6	+	900720-00021	1	O-RING 21	P-21		
7	+	130338-32430	1	PLUG, COVER			
8	+	900720-00011	1	O-RING P-11	P-11		
9	+	130365-32430	1	RUBBER, AIR CLEANER			
11		130405-38130	1	BRACKET, AIR CLEANER			
12		130300-38130	1	CLEANER ASM., AIR			
13		130325-39730	1	STUD, AIR CLEANER			
14		130420-38130	1	BRACKET, AIR CLEANER		Sus. by 130420-38131	
14		130420-38131	1	BRACKET, AIR CLEANER			
15		129013-30831	1	SCREW, IDLE SPEED			
16		900720-20007	1	O-RING 7	P-7		
20		130110-19830	1	PIPE, IMPULSE			
21		900252-05014	1	SCREW 5*14	5*14		
22		900252-05053	2	SCREW 5*53	5*53		
24		130518-32331	1	FUNNEL, AIR			
25		123000-32330	1	CARBURETOR ASSY	HDA-53		
29		178510-32330	1	ROD, CHOKE			
30		178011-32630	1	ROD, THROTTLE		Sus. by C454-000000	
30		C454-000000	1	ROD, THROTTLE			
32		178114-32630	1	HOLDER, THR. LEVER			
33		163400-30830	1	SWITCH, IGNITION			

2. Air Cleaner, Muffler

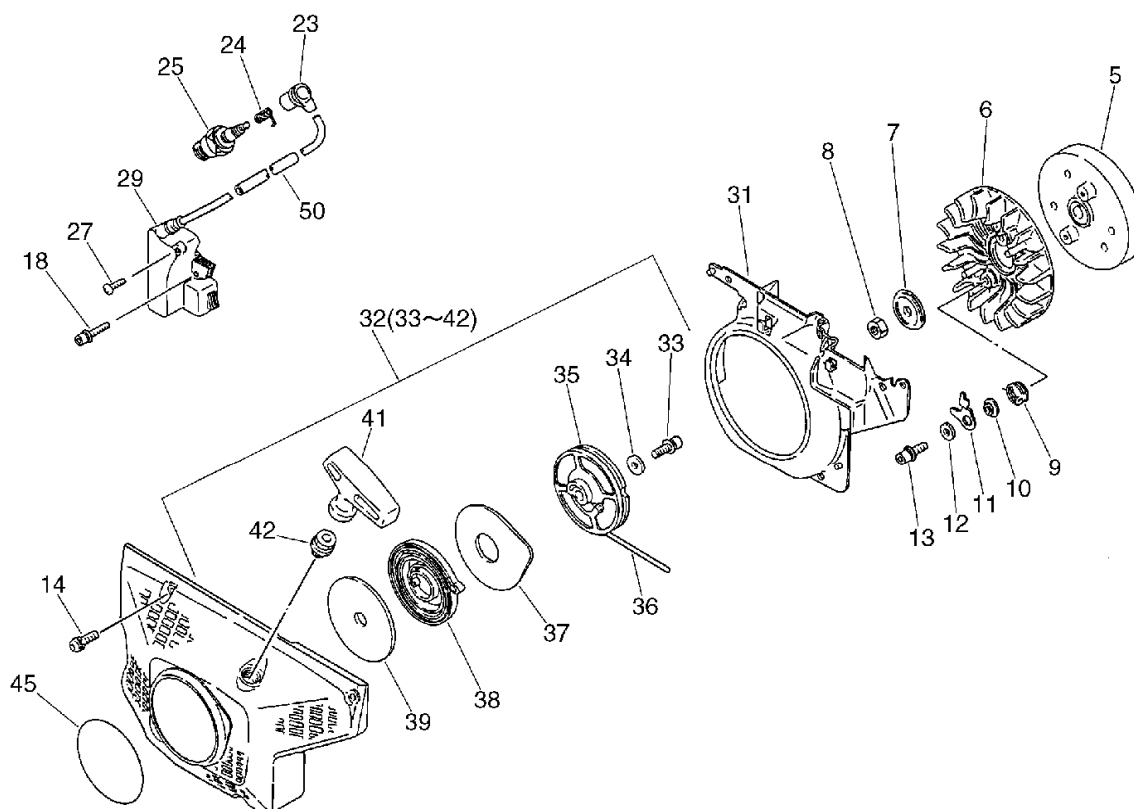
No.2



KEY	LV	PART NUMBER	Q'TY	DESCRIPTION	REMARKS	NOTE1	NOTE2
34		890157-30130	1	LABEL, SWITCH			
35		162021-32530	1	LEAD			
37		130306-06062	1	CASE, CARBURETOR BS			
38		156114-04920	1	GROMMET			
39		130337-30130	1	PLUG, CARB. CASE			
40		163911-30130	1	PLUG			
41		163810-30130	1	BRACKET, SWITCH			
42		156635-32530	1	PLATE, GROUND			
43		900252-05010	1	SCREW 5*10	5*10		
44		900252-04010	1	SCREW 4*10	4*10		
48		900162-05020	6	BOLT, H.S. 5*20	5*20 W,SW		
49		145510-32431	1	GASKET, MUFFLER			
50		145610-32330	1	MUFFLER (BL)			
51		145711-32430	1	BRACKET, MUFFLER			
52		900162-05014	2	BOLT, H.S. 5*14	5*14 W,SW		
61		145813-31730	1	COVER, MUFFLER			
62		129010-32430	1	GROMMET			
63		178810-33330	1	GROMMET, CHOKE		Sus. by 178810-33331	
63		178810-33331	1	GROMMET, CHOKE			
85		130320-32630	1	SEAL, CARB. CASE			
86		900300-30018	1	PIN, SPLIT 3*18	3*18		
87		433162-19930	1	WASHER			

3. Starter, Magneto

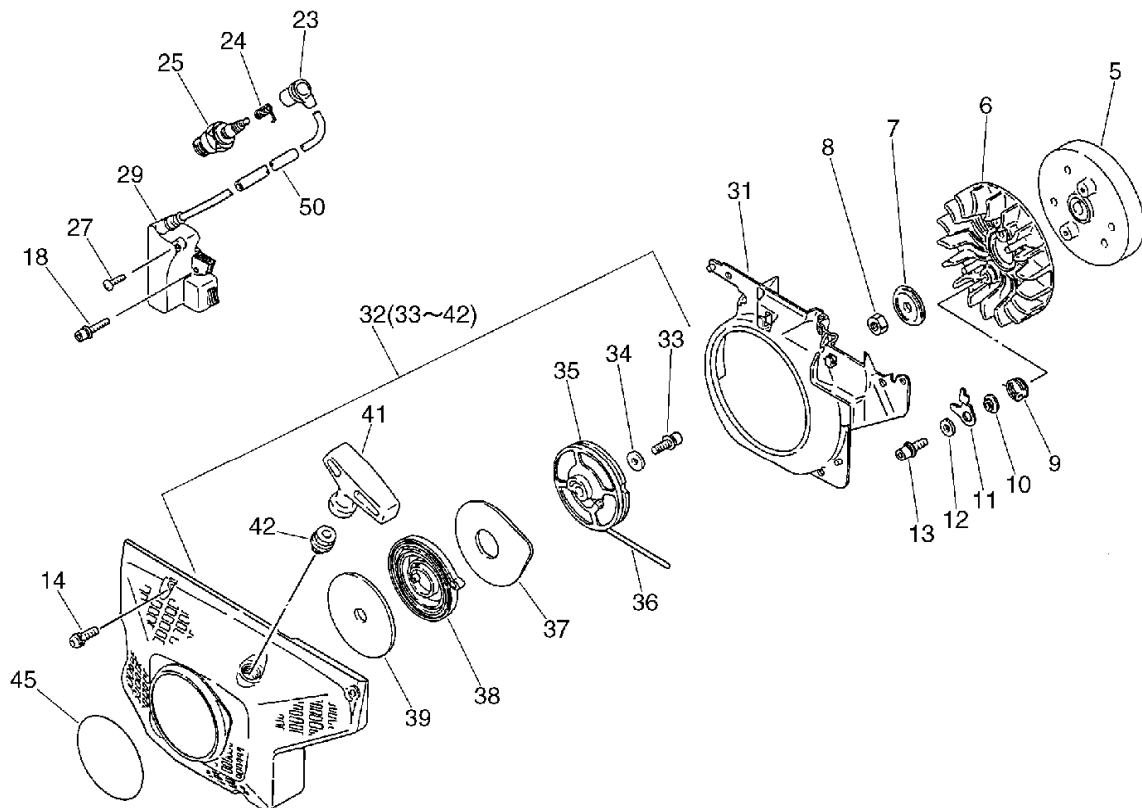
No.3



KEY	LV	PART NUMBER	Q'TY	DESCRIPTION	REMARKS	NOTE1	NOTE2
5		156800-32630	1	ROTOR, MAGNETO		Sus. by 156800-32631	
5		156800-32631	1	ROTOR, MAGNETO			
6		101521-32330	1	FAN, COOLING			
7		100143-19830	1	WASHER	8.2*31*0.8		
8		900500-00008	1	NUT 8	8*P1.25		
9		177234-19830	2	SPRING, RETURN		Sus. by 177234-19832	
9		177234-19831	2	SPRING, RETURN		Sus. by 177234-19832	
9		177234-19832	2	SPRING, RETURN			
10		177247-19830	2	SPACER, RATCHET			
11		177218-14530	2	PAWL, STARTER			
12		900603-00005	2	WASHER 5	5.5*12*0.8		
13		900162-05014	2	BOLT, H.S. 5*14	5*14 W,SW		
14		900238-05020	4	SCREW 5*20	5*20		
18		900162-04020	2	BOLT, H.S. 4*20	4*20 W,SW		
23		159012-03433	1	CAP, SPARK PLUG			
24		159011-03432	1	COIL, SPARK PLUG			
25		159017-31730	1	PLUG, SPARK RCJ-6Y	RCJ-6Y		
27		900242-04008	1	SCREW	4*8		
29		156601-32630	1	C.D. IGNITION MODULE		Sus. by 156601-32631	
29		156601-32631	1	COIL, IGNITION			
31		101535-32430	1	COVER, FAN		Sus. by 101535-32431	

3. Starter, Magneto

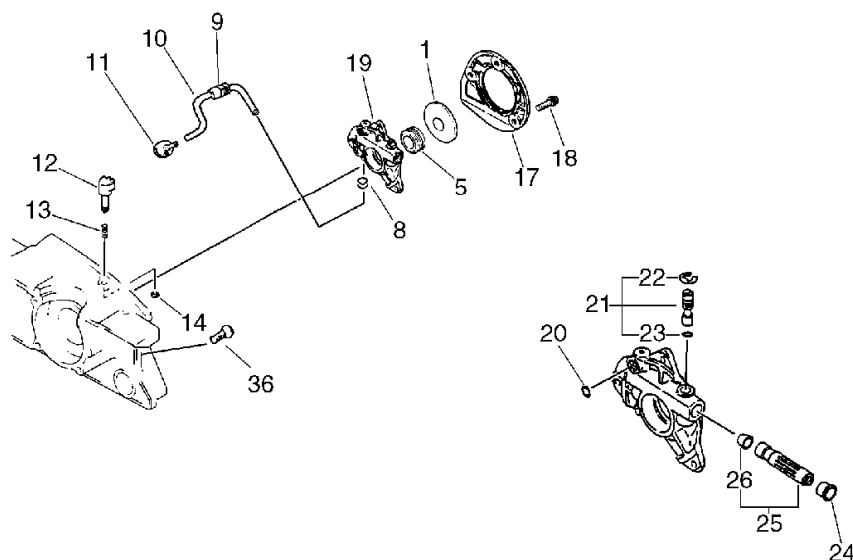
No.3



KEY	LV	PART NUMBER	Q'TY	DESCRIPTION	REMARKS	NOTE1	NOTE2
31		101535-32431	1	COVER, FAN			
32		177201-32436	1	STARTER ASSY			
33	+	900238-05014	1	SCREW 5*14	5*14		
34	+	900603-00005	1	WASHER 5	5.5*12*0.8		
35	+	177215-32330	1	DRUM, STARTER			
36	+	177226-07060	1	ROPE, STARTER	4.0*950		
37	+	177221-07060	1	PLATE, STARTER			
38	+	177220-02834	1	SPRING, REWIND			
39	+	177221-02830	1	PLATE, STARTER			
41	+	177228-30830	1	GRIP, STARTER			
42	+	177227-07060	1	GUIDE, ROPE			
45		890112-38130	1	LABEL, ECHO		Sus. by 890118-17930	
45		890118-17930	1	LABEL, ECHO			
50		150611-32430	1	TUBE	7*8.6*90		

4. Auto-Oiler

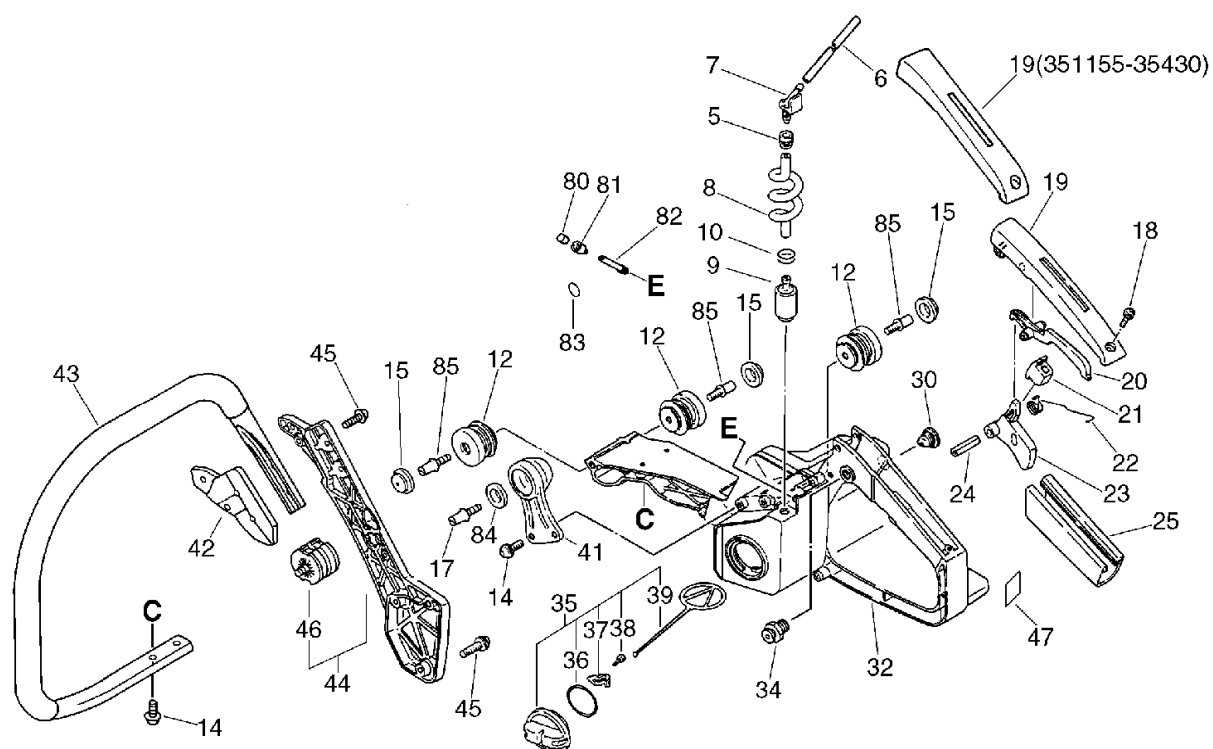
No.4



KEY	LV	PART NUMBER	Q'TY	DESCRIPTION	REMARKS	NOTE1	NOTE2
1		437066-30130	1	WASHER, CIRCULAR 12			
5		437063-19930	1	WORM (P)			
8		132013-26630	1	CLIP	6.5MM		
9		132115-12330	1	GROMMET			
10		437210-32430	1	PIPE, OIL (INNER)		Sus. by 437210-38330	
10		437210-38330	1	PIPE, OIL			
11		436205-14730	1	STRAINER, OIL			
12		437039-19831	1	KNOB			
13		437015-19830	1	SPRING			
14		900700-00003	1	E-RING 3	CE-3		
17		437605-32430	1	COVER, OIL PUMP			
18		900162-04012	3	BOLT, H.S. 4*12	4*12 W,SW		
19		437002-37530	1	AUTO-OILER ASSY			
20	+	900720-00003	1	O-RING P-3	P-3		
21	+	437009-35430	1	PIN, CONTROL			
22	++	437065-19830	1	CLIP			
23	++	437030-19830	1	O-RING			
24	+	437062-19830	1	CAP, PLUNGER			
25	+	437006-32330	1	PLUNGER KIT			
26	++	437020-32430	1	V-RING			
36		100610-30130	1	PLUG			

5. Handle

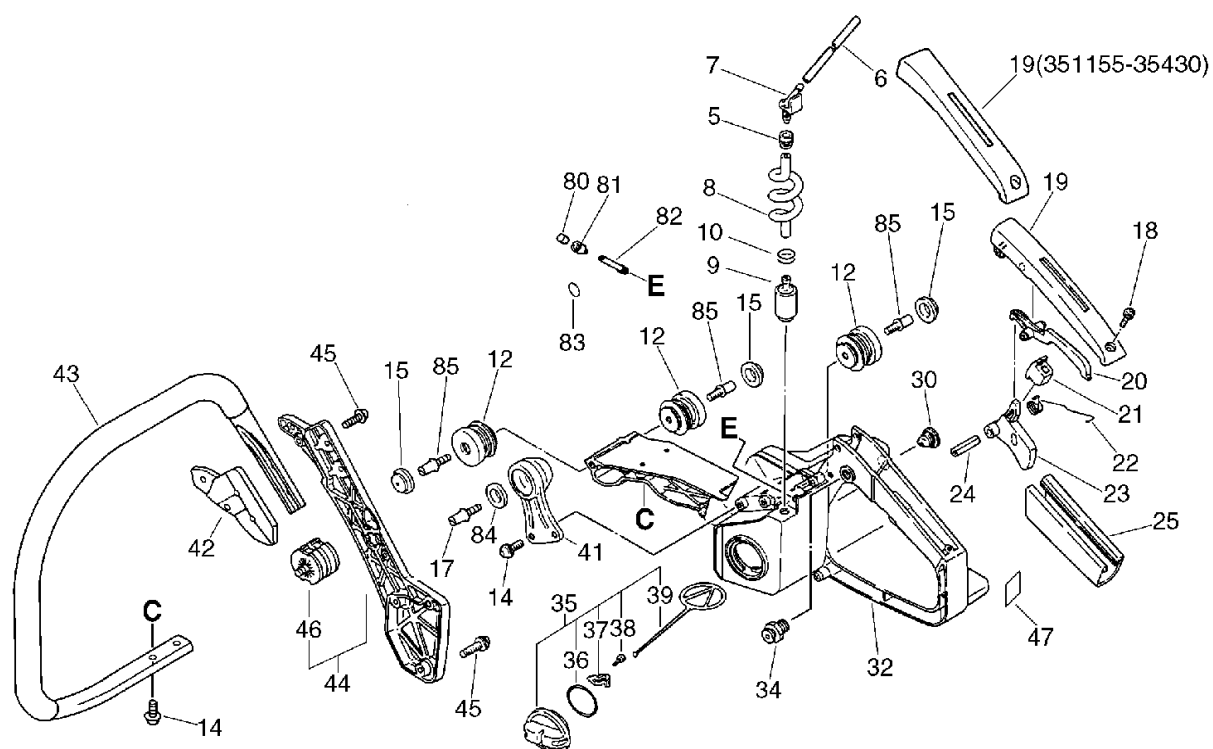
No.5



KEY	LV	PART NUMBER	Q'TY	DESCRIPTION	REMARKS	NOTE1	NOTE2
5		132115-01461	1	GROMMET			
6		132012-19830	1	PIPE 3*6*100	3*6*100	Sus. by 437217-20760	
6		437217-20760	1	PIPE 3*6*100	3*6*100 NBR		
7		132011-19830	1	CONNECTOR, FUEL PIPE			
8		132010-30830	1	PIPE			
9		131205-30830	1	STRAINER, FUEL		Sus. by 131205-19830	
9		131205-19830	1	STRAINER, FUEL			
10		132013-26630	1	CLIP	6.5MM		
12		100910-32430	3	CUSHION (A)			
14		900162-05014	4	BOLT, H.S. 5*14	5*14 W,SW		
15		100918-19830	3	CAP, CUSHION			
17		100915-33930	1	SCREW			
18		900238-04014	1	SCREW 4*14	4*14		
19		351155-30131	1	COVER, HANDLE		Can be used on the 351103-32431 only	
20		178090-30130	1	LOCKOUT, T. CONTROL			
21		178073-32430	1	CUSHION, THROTTLE			
22		178043-19830	1	SPRING, THR. RETURN			
23		178010-19830	1	CONTROL, THROTTLE			
24		900342-50025	1	PIN, SPRING 5*25	5*25		
25		351111-30130	1	GRIP, HANDLE			
30		131329-32330	1	PLUG, FUEL TANK		Sr/Nr 003345 and before	

5. Handle

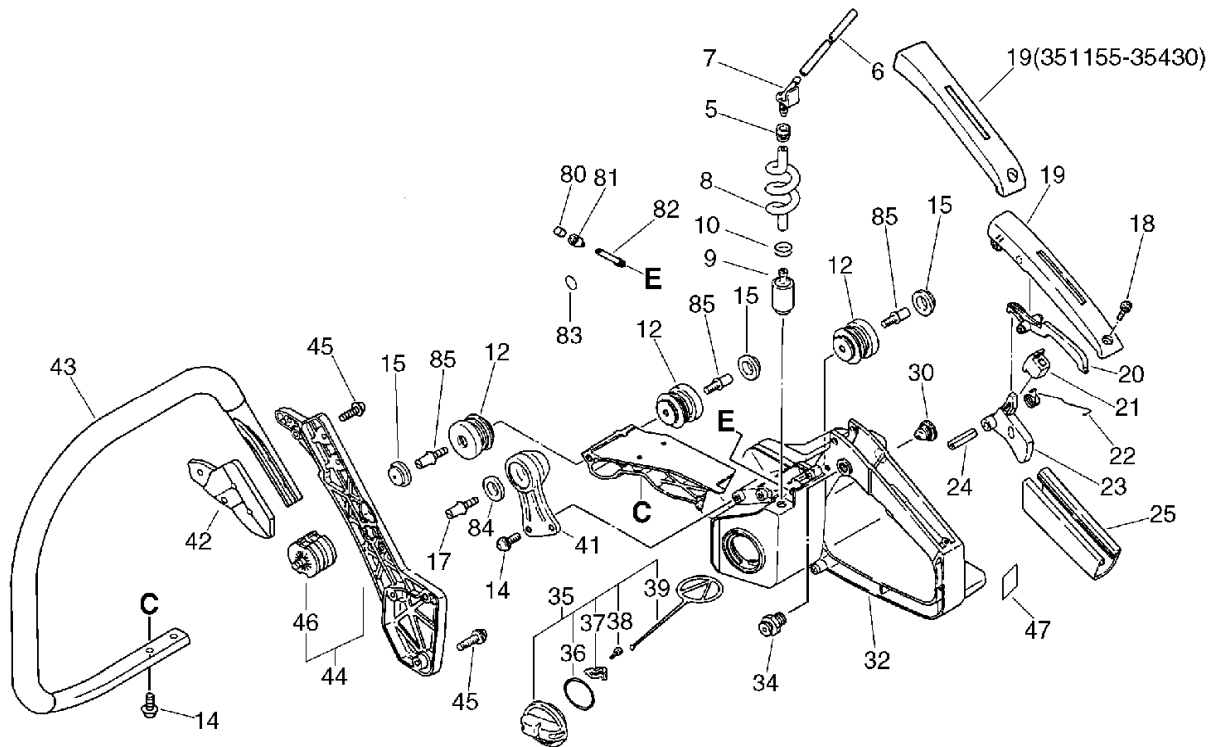
No.5



KEY	LV	PART NUMBER	Q'TY	DESCRIPTION	REMARKS	NOTE1	NOTE2
32		351103-32431	1	HANDLE,W/FUEL TANKBS		Sus. by 351103-32433	
32		351103-32432	1	HANDLE, REAR		Sus. by 351103-32433	
32		351103-32433	1	HANDLE, REAR			
19	+	351155-35430	1	COVER, HANDLE (BL)		Can be used on the 351103-32432 only	
80	+	131300-40630	1	VALVE, CHECK		Sus. by 131300-56430	
80	+	131300-56430	1	VALVE, CHECK			
81	+	131328-40630	1	COVER, VENT			
82	+	131312-32430	1	PIPE, VENT			
83	+	130111-00530	1	CLIP	5.5		
34		178302-30130	1	LATCH, THROTTLE			
35		131004-19831	1	CAP ASSY, FUEL TANK			
36	+	900720-20029	1	O-RING 29	P-29		
37	+	131050-19830	1	RETAINER, LINK			
38	+	900246-03008	1	SCREW 3*8	3*8		
39	+	131051-19830	1	LINK	60L		
41		100921-32431	1	CUSHION(C)			
42		351614-38130	1	BRACKET, F. HNDL.			
43		351606-38130	1	HANDLE, FRONT			
44		351603-38130	1	SUPPORTER,F.HNDL KIT			
46	+	100905-32331	1	CUSHION (R)			
45		900238-05020	6	SCREW 5*20	5*20		

5. Handle

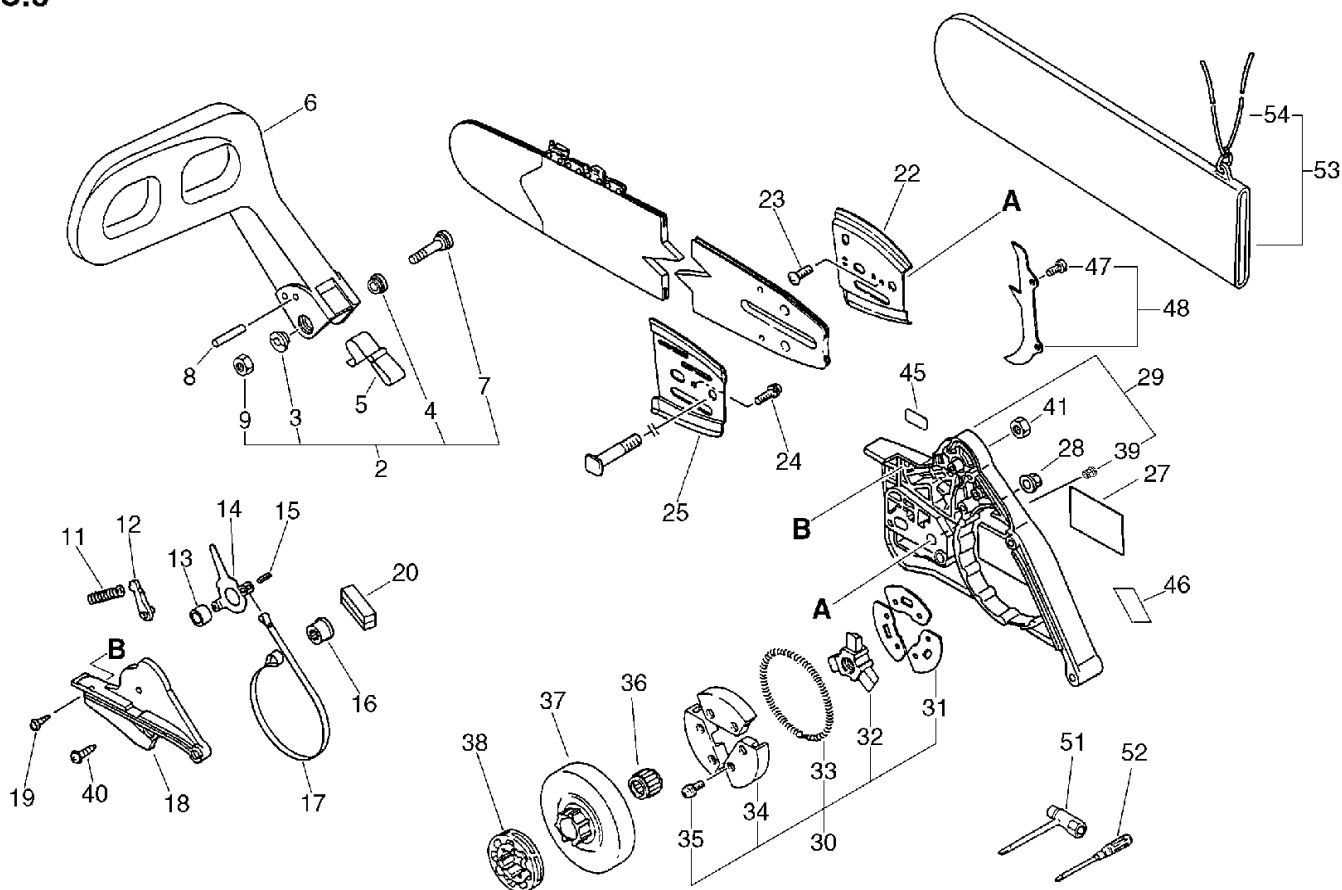
No.5



KEY	LV	PART NUMBER	Q'TY	DESCRIPTION	REMARKS	NOTE1	NOTE2
47		890157-39130	1	LABEL, SWITCH			
84		900600-00005	1	WASHER 5	5		
85		100915-32530	3	BOLT			

6. Clutch, Sprocket, Tools

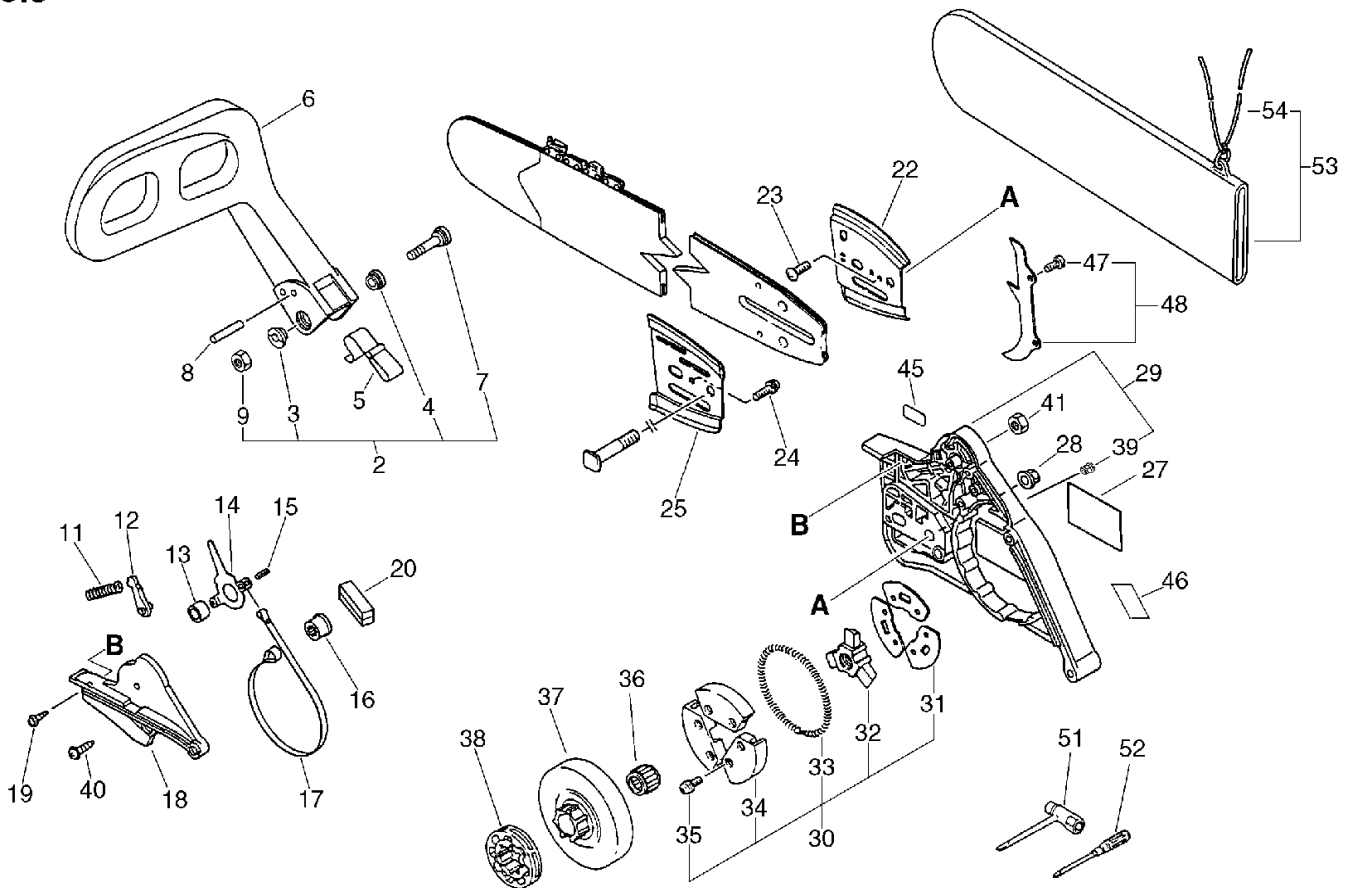
No.6



KEY	LV	PART NUMBER	Q'TY	DESCRIPTION	REMARKS	NOTE1	NOTE2
7		433113-37530	1	SCREW		Sus. by 433113-37538	
2		433113-37538	1	SCREW KIT			
3	+	433167-39130	1	SPACER		Sr/Nr 002946 and after	
4	+	433167-39730	1	COLLAR 5		Sr/Nr 002946 and after	
7	+	900209-05035	1	SCREW	5*35	Sr/Nr 002946 and after	
9	+	900560-00005	1	NUT, LOCK 5	5	Sr/Nr 002946 and after	
5		433114-38130	1	SPRING, RETURN		Sus. by 433114-38131	
5		433114-38131	1	SPRING			
6		433105-38130	1	LEVER, BRAKE		Sus. by 433105-38131	
6		433105-38131	1	LEVER, BRAKE			
8		900330-35260	1	PIN 3.5*26	3.5*26		
9		433137-30130	1	NUT		Sr/Nr 002945 and before	
11		433122-38130	1	SPRING, BRAKE			
12		433209-35430	1	STOPPER, BRAKE			
13		433116-35430	1	SPACER 8	8*12*9		
14		433208-35431	1	LEVER, BRAKE			
15		900330-40088	1	ROLLER 4*8.8	4*8.8		
16		433142-35430	1	ADJUSTER, BRAKE			

6. Clutch, Sprocket, Tools

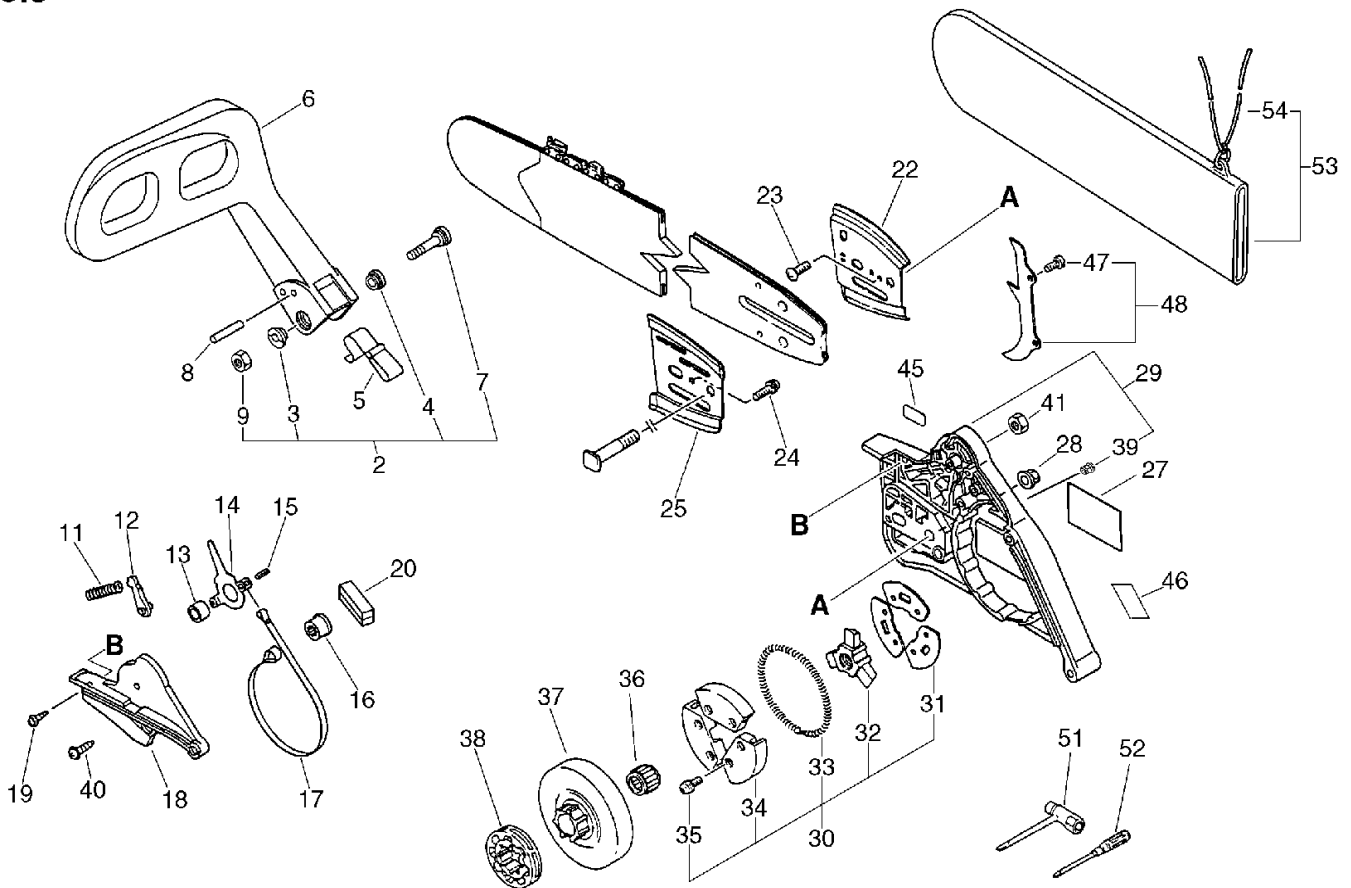
No.6



KEY	LV	PART NUMBER	Q'TY	DESCRIPTION	REMARKS	NOTE1	NOTE2
17		433123-32530	1	BAND, BRAKE			
18		433310-38130	1	COVER, BRAKE			
19		900252-04012	2	SCREW 4*12	4*12		
20		433312-32630	1	COVER, SEAL			
22		433012-30830	1	PLATE, GUIDE (OUTER)			
23		900241-03006	2	SCREW 3*6	3*6		
24		900241-04008	1	SCREW 4*8	4*8		
25		433013-30830	1	PLATE, GUIDE (INNER)			
27		890118-38130	1	LABEL, ECHO			
28		433019-12330	2	NUT, FLANGE 8	M-8		
29		433010-32531	1	GUARD, SPROCKET		Sus. by P021-002570	
29		P021-002570	1	SPROCKET GUARD			
39	+	V162-000020	1	PLUG		Can be needed for non-side-access type models	
30		175000-37531	1	CLUTCH ASSY			
31	+	175019-19830	3	PLATE, CLUTCH			
32	+	175016-19830	1	HUB, CLUTCH			
33	+	175018-19830	1	SPRING, CLUTCH			
34	+	175002-19830	1	SHOE, CLUTCH			
35	+	900105-04006	6	BOLT, H.S. 4*6	4*6		
36		175012-19830	1	BEARING, NEEDLE	K12*15*11.8X		
37		175105-33330	1	DRUM, CLUTCH		Sus. by 175105-19930	

6. Clutch, Sprocket, Tools

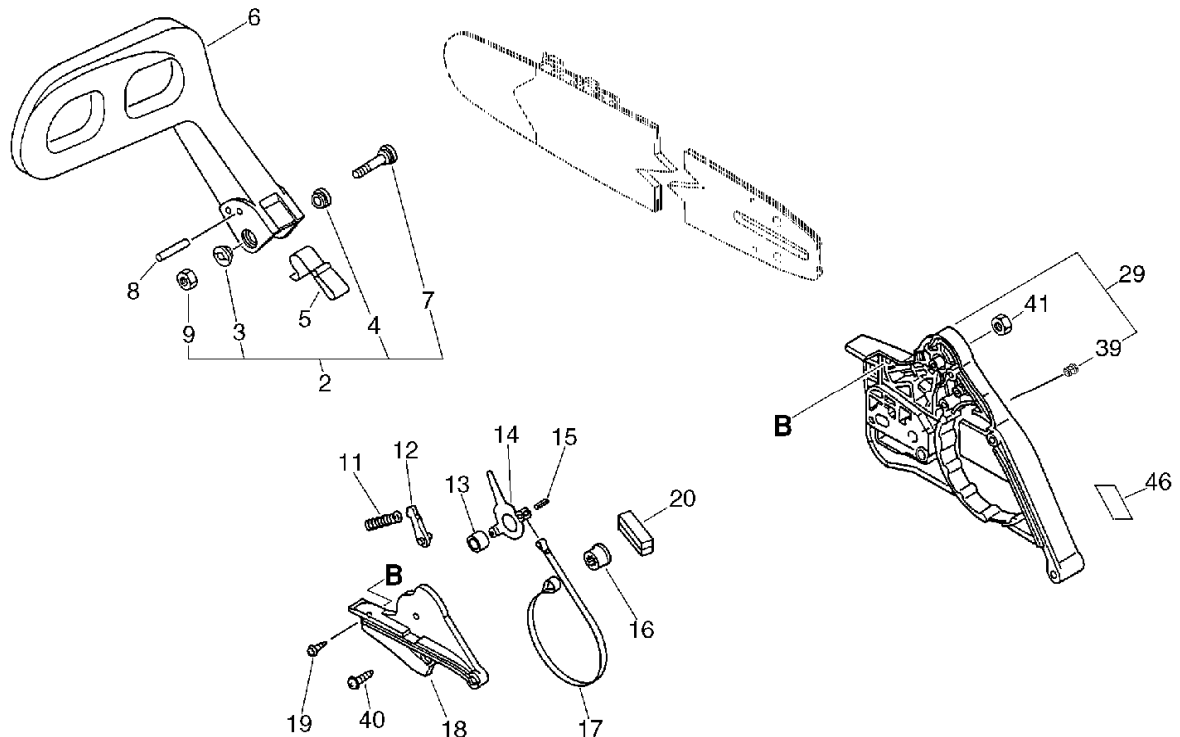
No.6



KEY	LV	PART NUMBER	Q'TY	DESCRIPTION	REMARKS	NOTE1	NOTE2
37		175105-19930	1	DRUM, CLUTCH			
38		175114-12530	1	SPROCKET, RIM .325			Sr/Nr 003745 and before
38		175114-03430	1	SPROCKET, RIM			Sr/Nr 000376 and after
40		900220-03018	1	SCREW (+SR 3*18)	3*18		
41		900500-00003	1	NUT 3	3		
45		890316-39130	1	LABEL, CAUTION			
46		890155-30130	1	LABEL, CAUTION			
48		880200-32430	1	BUMPER, SPIKED			
47	+	880211-30130	2	BOLT			
51		895410-02830	1	WRENCH, W/S. DRIVER			
52		895812-03930	1	DRIVER, SCREW 50			
53		898548-14531	1	SCABBARD, CHAIN			
54	+	898568-14530	1	ROPE	5*900		

7. Chain Brake Asy

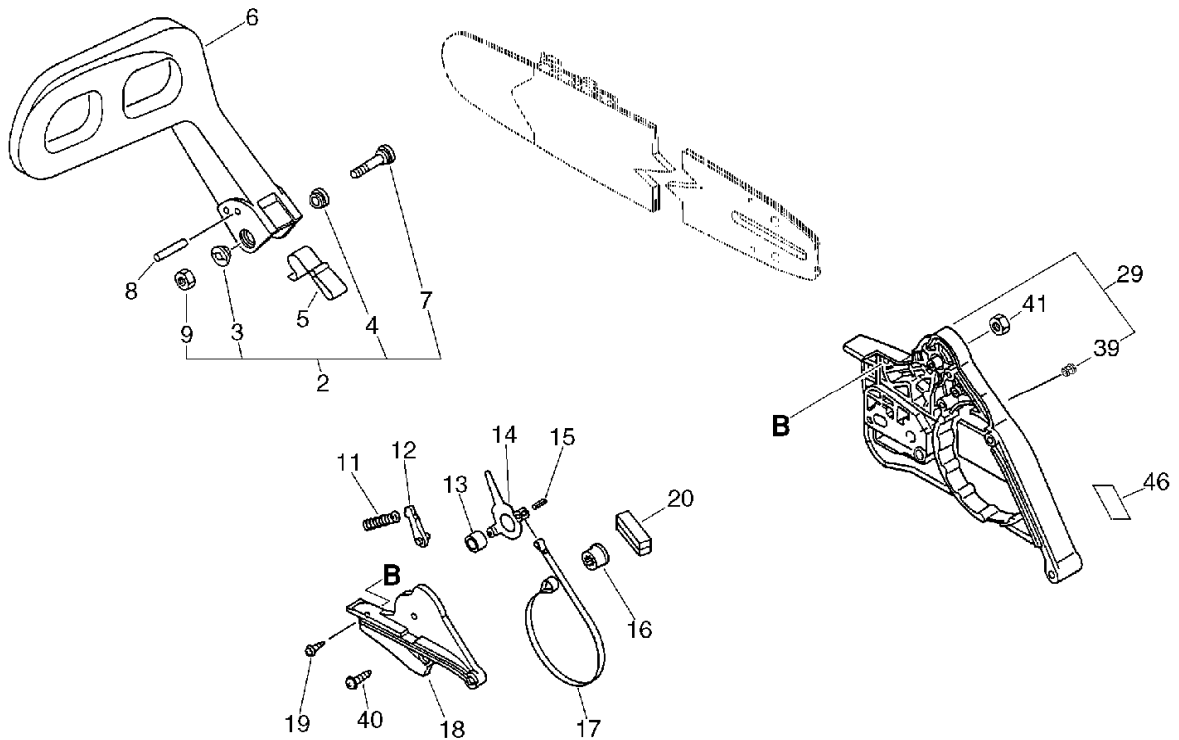
No.7



KEY	LV	PART NUMBER	Q'TY	DESCRIPTION	REMARKS	NOTE1	NOTE2
		433200-38231	1	BRAKE ASY, CHAIN		Sus. by 433200-38233	
		433200-38232	1	BRAKE ASY, CHAIN		Sus. by 433200-38233	
		433200-38233	1	BRAKE ASY, CHAIN			
2	+	433113-37538	1	SCREW KIT			
3	++	433167-39130	1	SPACER			
4	++	433167-39730	1	COLLAR 5			
7	++	900209-05035	1	SCREW	5*35		
9	++	900560-00005	1	NUT, LOCK 5	5		
5	+	433114-38131	1	SPRING			
6	+	433105-38130	1	LEVER, BRAKE		Sus. by 433105-38131	
6	+	433105-38131	1	LEVER, BRAKE			
8	+	900330-35260	1	PIN 3.5*26	3.5*26		
11	+	433122-38130	1	SPRING, BRAKE			
12	+	433209-35430	1	STOPPER, BRAKE			
13	+	433116-35430	1	SPACER 8	8*12*9		
14	+	433208-35431	1	LEVER, BRAKE			
15	+	900330-40088	1	ROLLER 4*8.8	4*8.8		
16	+	433142-35430	1	ADJUSTER, BRAKE			
17	+	433123-32530	1	BAND, BRAKE			
18	+	433310-38130	1	COVER, BRAKE			
19	+	900252-04012	2	SCREW 4*12	4*12		
20	+	433312-32630	1	COVER, SEAL			

7. Chain Brake Asy

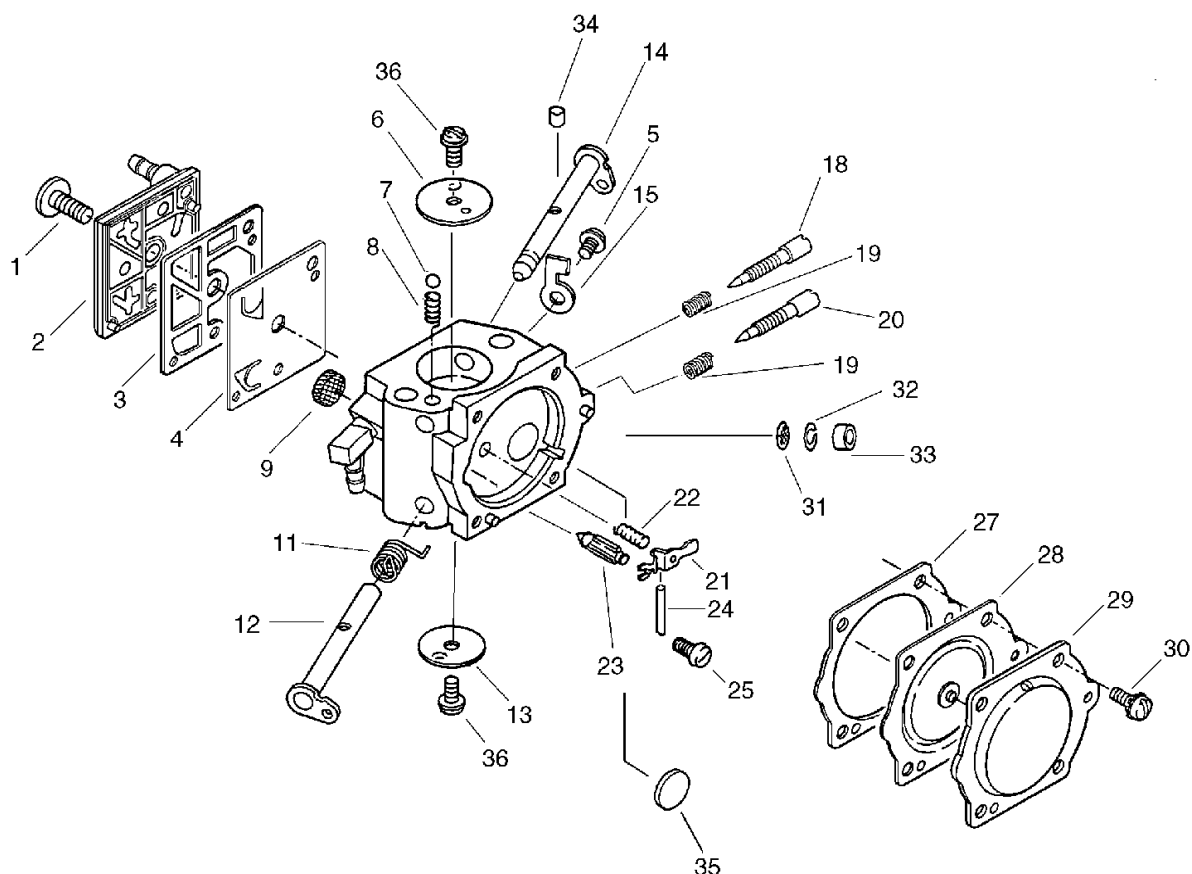
No.7



KEY	LV	PART NUMBER	Q'TY	DESCRIPTION	REMARKS	NOTE1	NOTE2
29	+	433010-32531	1	GUARD, SPROCKET		Sus. by P021-002570	
29	+	P021-002570	1	SPROCKET GUARD			
39	++	V162-000020	1	PLUG		Can be needed for non-side-access type models	
40	+	900220-03018	1	SCREW (+SR 3*18)	3*18		
41	+	900500-00003	1	NUT 3	3		
46	+	890155-30130	1	LABEL, CAUTION			

8. Carburetor

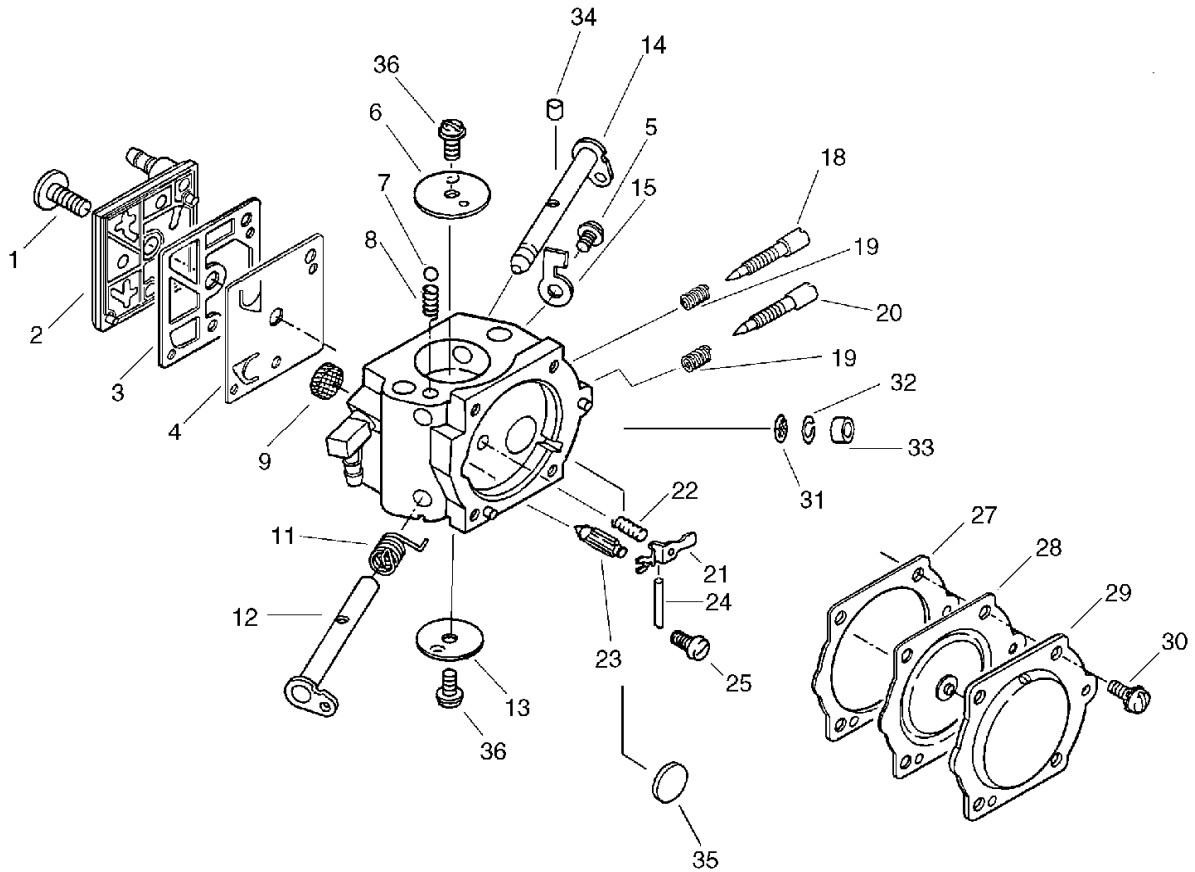
No.8



KEY	LV	PART NUMBER	Q'TY	DESCRIPTION	REMARKS	NOTE1	NOTE2
		123000-32330	1	CARBURETOR ASSY	HDA-53		
1	+	123110-16130	1	SCREW, PUMP COVER			
2	+	123124-19830	1	COVER, FUEL PUMP			
3	+	123125-12330	1	GASKET, FUEL PUMP			
4	+	123112-12330	1	DIAPHRAGM, FUEL PUMP			
5	+	123114-03930	1	SCREW		Sus. by 123114-38830	
5	+	123114-38830	1	SCREW			
6	+	123132-17330	1	VALVE, CHOKE			
7	+	123136-10630	1	BALL, CHOKE FRICTION			
8	+	123135-10630	1	SPRING, CHOKE FRICT.			
9	+	123126-10631	1	SCREEN, INLET			
11	+	123113-16130	1	SPRING, THRT. RETURN			
12	+	123117-32430	1	SHAFT, THROTTLE			
13	+	123132-16130	1	VALVE, CHOKE			
14	+	123131-19830	1	SHAFT, CHOKE			
15	+	123156-30830	1	STOP, THROTTLE			
18	+	123120-18330	1	NEEDLE, HIGH SPEED			
19	+	123121-03930	2	SPRING, NEEDLE			
20	+	123118-18331	1	NEEDLE, IDLE			
21	+	123123-18330	1	LEVER, METERING			
22	+	123122-03930	1	SPRING, METER. LEVER			
23	+	123137-19830	1	VALVE, INLET NEEDLE			
24	+	123138-03930	1	PIN, METERING LEVER			
25	+	123139-03930	1	SCREW, M. LEVER PIN			
27	+	123140-16131	1	GASKET, M. DIAPHRAGM			

8. Carburetor

No.8



KEY	LV	PART NUMBER	Q'TY	DESCRIPTION	REMARKS	NOTE1	NOTE2
28	+	123141-16131	1	DIAPHRAGM, METERING			
29	+	123142-17330	1	COVER, M. DIAPHRAGM			
30	+	123130-02960	4	SCREW			
31	+	123168-10631	1	SCREEN			
32	+	123169-10630	1	RING, RETAINING			
33	+	123146-17330	1	PLUG, CUP			
34	+	123178-15030	1	PLUG, FRICTION			
35	+	123146-10631	1	PLUG, WELCH			
36	+	123114-38830	2	SCREW			

Index

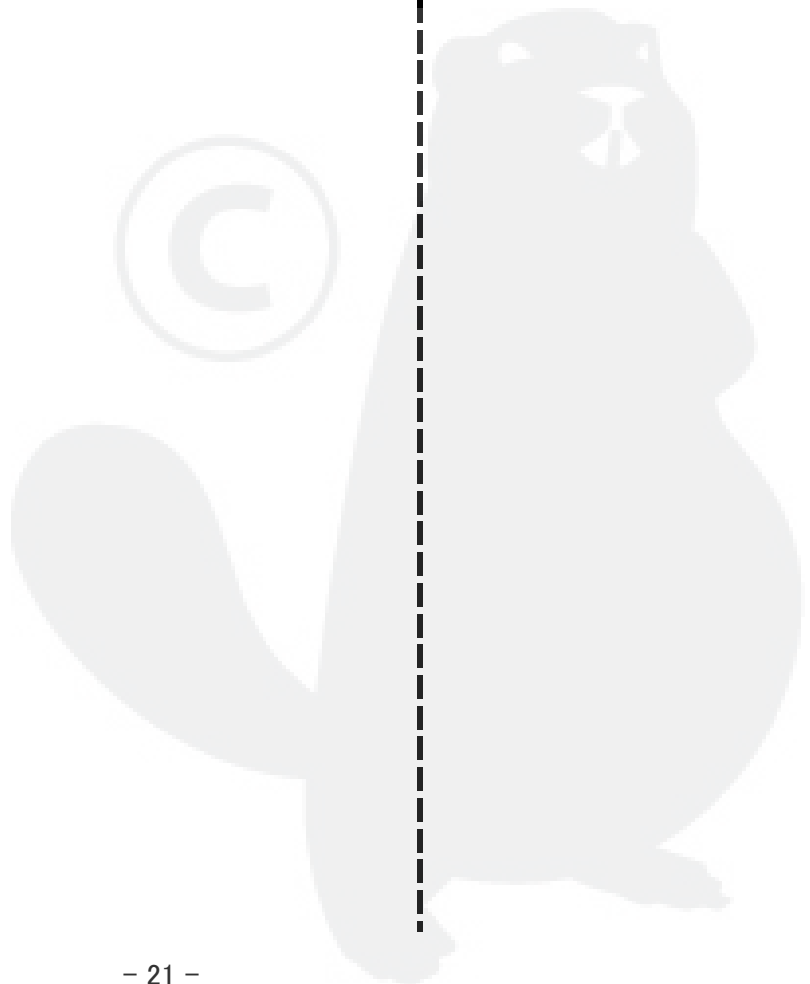
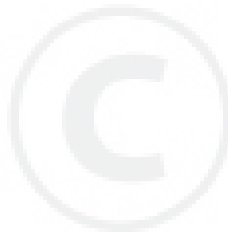
Patrs Number	Key No.	Patrs Number	Key No.	Patrs Number	Key No.
100000-32330	1 - 6	123131-19830	8 - 14	131329-32330	5 - 30
100011-32330	1 - 7	123132-16130	8 - 13	132010-30830	5 - 8
100012-32330	1 - 10	123132-17330	8 - 6	132011-19830	5 - 7
100013-32330	1 - 8	123135-10630	8 - 8	132012-19830	5 - 6
100015-32330	1 - 9	123136-10630	8 - 7	132013-26630	4 - 8
100100-32330	1 - 32	123137-19830	8 - 23	132013-26630	5 - 10
100142-30830	1 - 33	123138-03930	8 - 24	132115-01461	5 - 5
100143-19830	3 - 7	123139-03930	8 - 25	132115-12330	4 - 9
100204-32432	1 - 20	123140-16131	8 - 27	145510-32431	2 - 49
100204-32433	1 - 20	123141-16131	8 - 28	145610-32330	2 - 50
100204-32434	1 - 20	123142-17330	8 - 29	145711-32430	2 - 51
100204-32435	1 - 20	123146-10631	8 - 35	145813-31730	2 - 61
100212-19830	1 - 30	123146-17330	8 - 33	150611-32430	3 - 50
100212-32430	1 - 22	123156-30830	8 - 15	156114-04920	2 - 38
100215-02830	1 - 25	123168-10631	8 - 31	156601-32630	3 - 29
100242-32430	1 - 28	123169-10630	8 - 32	156601-32631	3 - 29
100251-32430	1 - 27	123178-15030	8 - 34	156635-32530	2 - 42
100610-30130	4 - 36	129010-32430	2 - 62	156800-32630	3 - 5
100905-32331	5 - 46	129013-30831	2 - 15	156800-32631	3 - 5
100910-32430	5 - 12	130110-19830	2 - 20	159011-03432	3 - 24
100915-32530	5 - 85	130111-00530	5 - 83	159012-03433	3 - 23
100915-33930	5 - 17	130300-38130	2 - 12	159017-31730	3 - 25
100917-32430	1 - 31	130302-38131	2 - 4	162021-32530	2 - 35
100918-19830	5 - 15	130306-06062	2 - 37	163400-30830	2 - 33
100921-32431	5 - 41	130320-32630	2 - 85	163810-30130	2 - 41
101001-32331	1 - 3	130325-39730	2 - 13	163911-30130	2 - 40
101010-32431	1 - 4	130337-30130	2 - 39	175000-37531	6 - 30
101506-32530	1 - 45	130338-32430	2 - 7	175002-19830	6 - 34
101521-32330	3 - 6	130365-32430	2 - 9	175012-19830	6 - 36
101535-32430	3 - 31	130405-38130	2 - 11	175016-19830	6 - 32
101535-32431	3 - 31	130406-33331	2 - 5	175018-19830	6 - 33
123000-32330	2 - 25	130420-38130	2 - 14	175019-19830	6 - 31
123000-32330	8 -	130420-38131	2 - 14	175105-19930	6 - 37
123110-16130	8 - 1	130510-32430	1 - 13	175105-33330	6 - 37
123112-12330	8 - 4	130516-30830	1 - 12	175114-03430	6 - 38
123113-16130	8 - 11	130518-32331	2 - 24	175114-12530	6 - 38
123114-03930	8 - 5	130822-32330	1 - 48	177201-32436	3 - 32
123114-38830	8 - 5	130823-32330	1 - 47	177215-32330	3 - 35
123114-38830	8 - 36	131004-19831	5 - 35	177218-14530	3 - 11
123117-32430	8 - 12	131050-19830	1 - 37	177220-02834	3 - 38
123118-18331	8 - 20	131050-19830	5 - 37	177221-02830	3 - 39
123120-18330	8 - 18	131051-19830	1 - 39	177221-07060	3 - 37
123121-03930	8 - 19	131051-19830	5 - 39	177226-07060	3 - 36
123122-03930	8 - 22	131205-19830	5 - 9	177227-07060	3 - 42
123123-18330	8 - 21	131205-30830	5 - 9	177228-30830	3 - 41
123124-19830	8 - 2	131300-40630	5 - 80	177234-19830	3 - 9
123125-12330	8 - 3	131300-56430	5 - 80	177234-19831	3 - 9
123126-10631	8 - 9	131312-32430	5 - 82	177234-19832	3 - 9
123130-02960	8 - 30	131328-40630	5 - 81	177247-19830	3 - 10

Index

Patrs Number	Key No.	Patrs Number	Key No.	Patrs Number	Key No.
178010-19830	5 - 23	433167-39130	6 - 3	898548-14531	6 - 53
178011-32630	2 - 30	433167-39130	7 - 3	898568-14530	6 - 54
178043-19830	5 - 22	433167-39730	6 - 4	900105-04006	6 - 35
178073-32430	5 - 21	433167-39730	7 - 4	900162-04012	4 - 18
178090-30130	5 - 20	433200-38231	7 -	900162-04020	3 - 18
178114-32630	2 - 32	433200-38232	7 -	900162-05014	1 - 34
178302-30130	5 - 34	433200-38233	7 -	900162-05014	1 - 34
178510-32330	2 - 29	433208-35431	6 - 14	900162-05014	2 - 52
178810-33330	2 - 63	433208-35431	7 - 14	900162-05014	3 - 13
178810-33331	2 - 63	433209-35430	6 - 12	900162-05014	5 - 14
351103-32431	5 - 32	433209-35430	7 - 12	900162-05020	1 - 5
351103-32432	5 - 32	433310-38130	6 - 18	900162-05020	2 - 48
351103-32433	5 - 32	433310-38130	7 - 18	900162-05035	1 - 29
351111-30130	5 - 25	433312-32630	6 - 20	900209-05035	6 - 7
351155-30131	5 - 19	433312-32630	7 - 20	900209-05035	7 - 7
351155-35430	5 - 19	436001-19833	1 - 35	900220-03018	6 - 40
351603-38130	5 - 44	436114-13930	1 - 23A	900220-03018	7 - 40
351606-38130	5 - 43	436114-13930	1 - 23B	900220-05018	1 - 18
351614-38130	5 - 42	436205-14730	4 - 11	900238-04014	5 - 18
433000-19831	1 - 17	437002-37530	4 - 19	900238-05014	1 - 40
433010-32531	6 - 29	437006-32330	4 - 25	900238-05014	3 - 33
433010-32531	7 - 29	437009-35430	4 - 21	900238-05020	1 - 44
433011-19830	1 - 21	437015-19830	4 - 13	900238-05020	3 - 14
433012-30830	6 - 22	437020-32430	4 - 26	900238-05020	5 - 45
433013-30830	6 - 25	437030-19830	4 - 23	900241-03006	6 - 23
433014-02830	1 - 16	437039-19831	4 - 12	900241-04008	6 - 24
433016-11031	1 - 14	437062-19830	4 - 24	900242-04008	1 - 42
433019-12330	6 - 28	437063-19930	4 - 5	900242-04008	3 - 27
433028-11030	1 - 15	437065-19830	4 - 22	900246-03008	1 - 38
433105-38130	6 - 6	437066-30130	4 - 1	900246-03008	5 - 38
433105-38130	7 - 6	437210-32430	4 - 10	900252-04010	2 - 44
433105-38131	6 - 6	437210-38330	4 - 10	900252-04012	6 - 19
433105-38131	7 - 6	437217-20760	5 - 6	900252-04012	7 - 19
433113-37530	6 - 7	437605-32430	4 - 17	900252-05010	2 - 43
433113-37538	6 - 2	880200-32430	6 - 48	900252-05014	2 - 21
433113-37538	7 - 2	880211-30130	6 - 47	900252-05053	2 - 22
433114-38130	6 - 5	890112-38130	3 - 45	900300-30018	2 - 86
433114-38131	6 - 5	890118-17930	3 - 45	900330-35260	6 - 8
433114-38131	7 - 5	890118-38130	6 - 27	900330-35260	7 - 8
433116-35430	6 - 13	890151-38230	2 - 3	900330-40088	6 - 15
433116-35430	7 - 13	890155-30130	6 - 46	900330-40088	7 - 15
433122-38130	6 - 11	890155-30130	7 - 46	900342-50025	5 - 24
433122-38130	7 - 11	890157-30130	2 - 34	900345-50010	1 - 24
433123-32530	6 - 17	890157-39130	5 - 47	900500-00003	6 - 41
433123-32530	7 - 17	890316-39130	6 - 45	900500-00003	7 - 41
433137-30130	6 - 9	890345-39230	1 - 49	900500-00008	3 - 8
433142-35430	6 - 16	890631-38230	1 - 50	900560-00005	6 - 9
433142-35430	7 - 16	895410-02830	6 - 51	900560-00005	7 - 9
433162-19930	2 - 87	895812-03930	6 - 52	900600-00005	1 - 19

Index

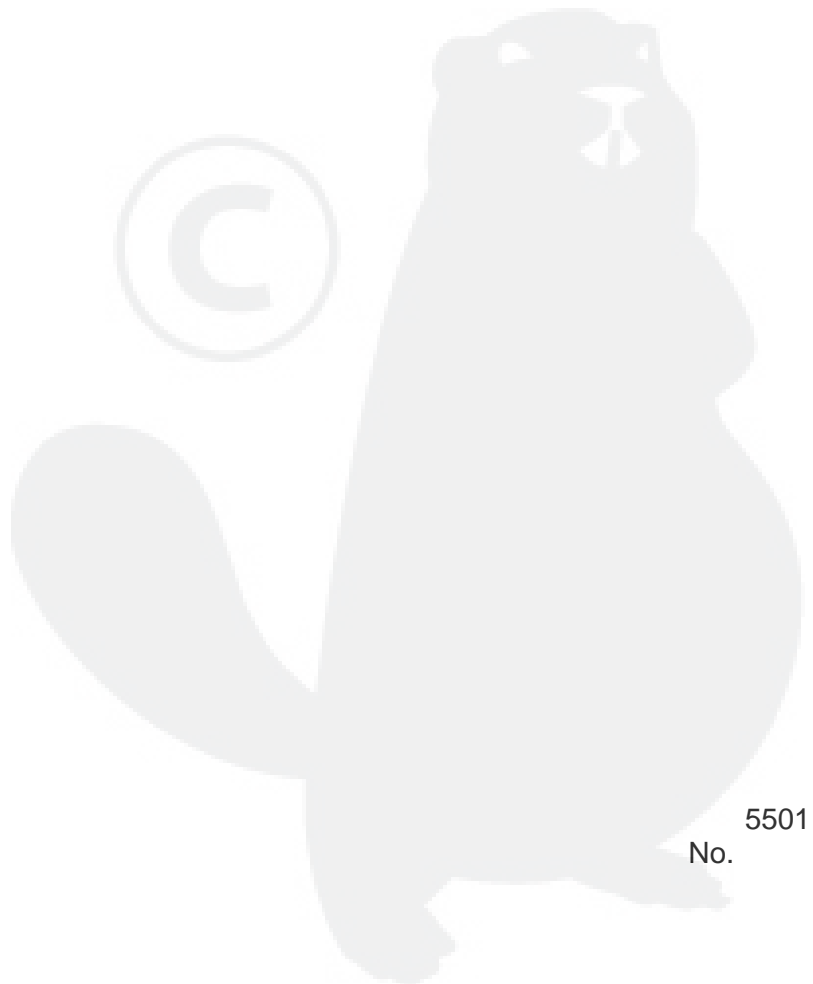
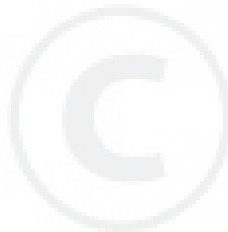
Patrs Number	Key No.	Patrs Number	Key No.	Patrs Number	Key No.
900600-00005	5 - 84				
900603-00005	3 - 12				
900603-00005	3 - 34				
900700-00003	4 - 14				
900720-00003	4 - 20				
900720-00011	2 - 8				
900720-00021	2 - 6				
900720-20007	2 - 16				
900720-20029	5 - 36				
900725-02025	1 - 36				
900810-36202	1 - 26				
C454-000000	2 - 30				
P021-002570	6 - 29				
P021-002570	7 - 29				
V150-000570	1 - 41				
V162-000020	6 - 39				
V162-000020	7 - 39				



YAMABIKO CORPORATION

7-2 SUEHIROCHO 1-CHOME, OHME, TOKYO 198-8760, JAPAN
PHONE: 81-428-32-6118. FAX: 81-428-32-6145.

ECHO[®]



5501
No.