



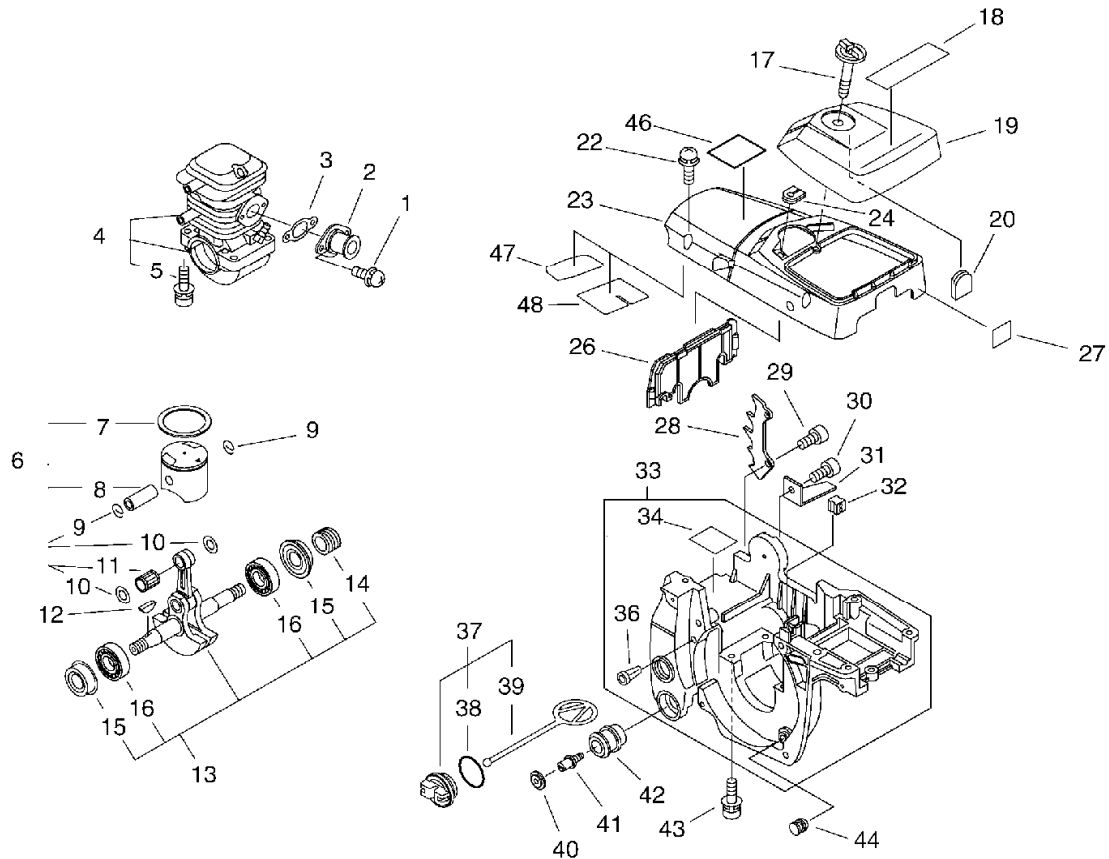
# **PARTS CATALOG**

## **CHAIN SAW CS-420ES(37)**

**37017621 - 37020000**

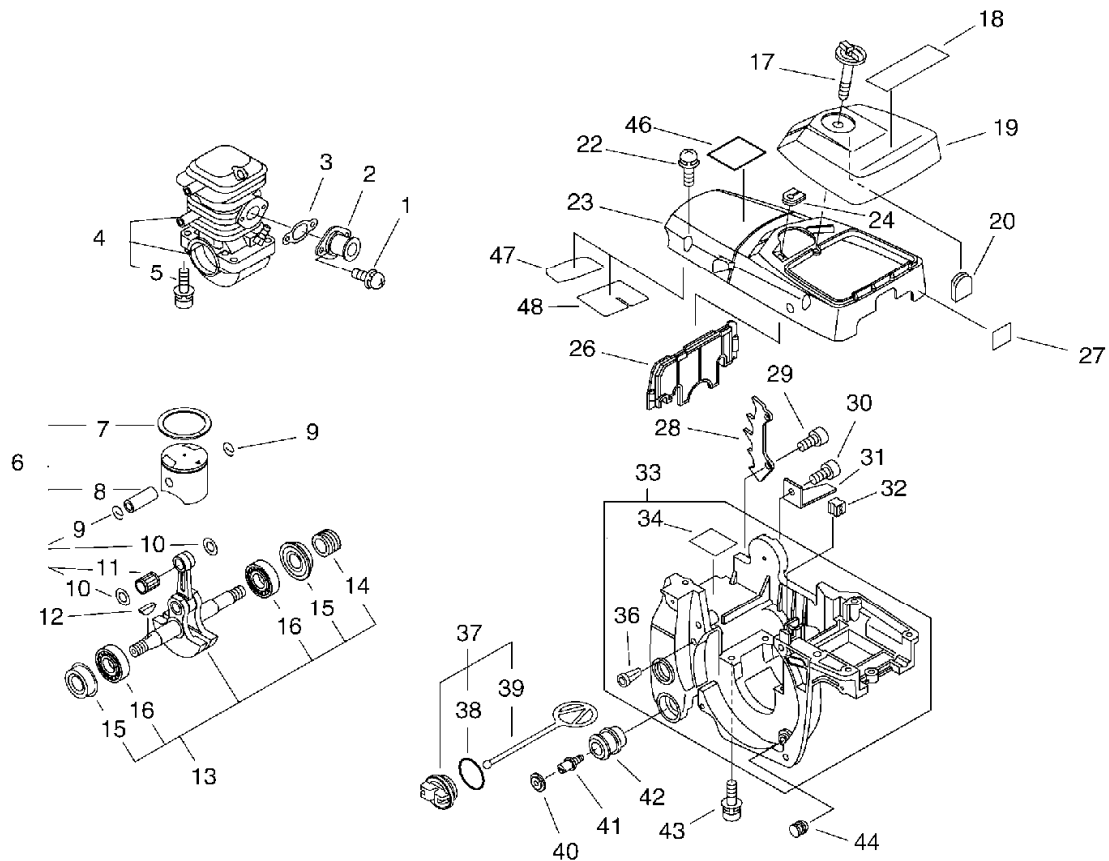
P014-000490-10Hc

# 1. CYLINDER, CRANKCASE, PISTON



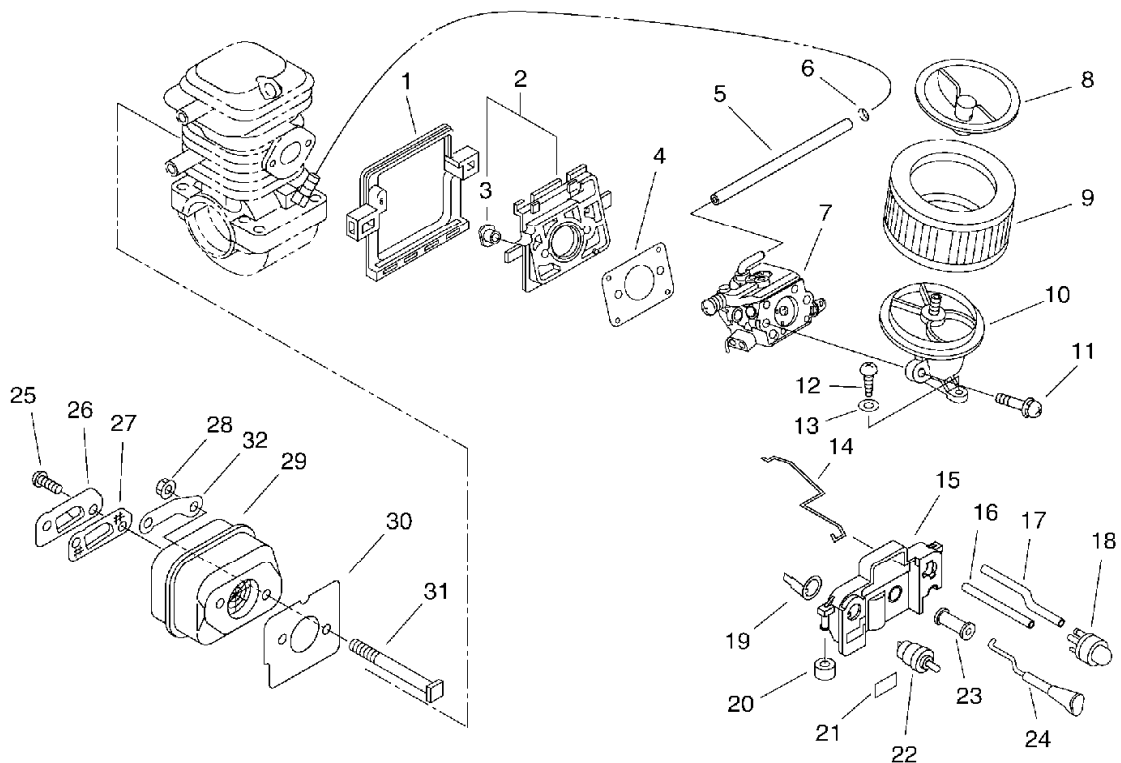
KEY	LV	PART NUMBER	Q'TY	DESCRIPTION	REMARKS	NOTE1	NOTE2
1		900238-05014	2	SCREW 5*14	5*14		
2		A202-000060	1	BELLOWS, INTAKE			
3		V103-000290	1	GASKET, INTAKE	NP4200 T1.0		
4		P021-010574	1	CRANKCASE SET			
5	+	900162-05022	4	BOLT, H.S. 5*22	5*22 W,SW		
6		P021-010582	1	PISTON KIT			
7	+	A101-000160	1	RING, PISTON	40*B1.5*T1.8		
8	+	V607-000000	1	PIN, ENG 9			
9	+	100015-03931	2	CIRCLIP, PISTON PIN			
10	+	100014-53630	2	SPACER, PISTON PIN			
11	+	100012-16131	1	BEARING, NEEDLE			
12		100142-12330	1	KEY, WOODRUFF			
13		P021-013620	1	CRANKSHAFT ASY			
14	+	V652-000030	1	GEAR, WORM			
15	+	V505-000010	2	SEAL, OIL 12			
15	+	V505-000011	2	SEAL, OIL 12	12*32*5.5		
16	+	900888-36201	2	BEARING, BALL 6201	6201		
17		A235-000020	1	KNOB, CLEANER LID			
18		X503-008450	1	LABEL, MODEL	CS-420ES		
19		A232-000023	1	LID, CLEANER			
20		130338-32430	1	PLUG, COVER			
22		900238-05020	3	SCREW 5*20	5*20		
23		A160-000764	1	COVER, CYLINDER			
24		V135-000010	1	GROMMET, HT CORD			
26		A209-000000	1	PLATE, INSULATOR			
27		X524-001900	1	LABEL			

## 1. CYLINDER, CRANKCASE, PISTON



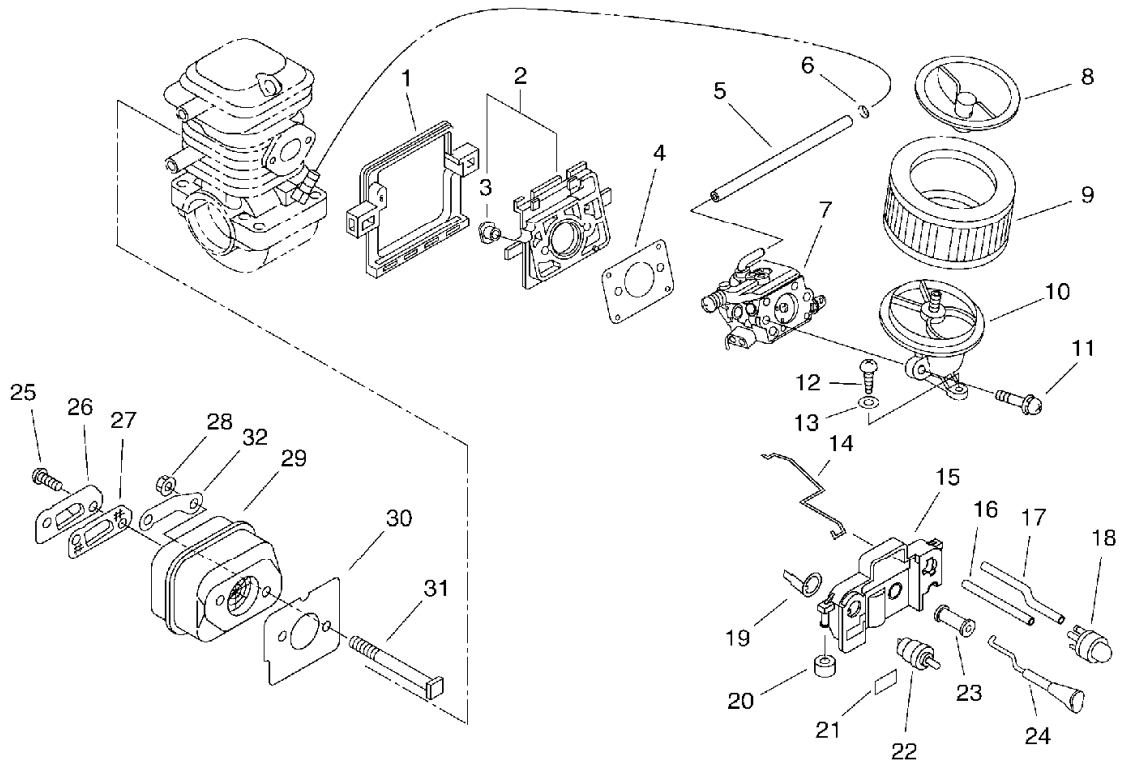
KEY	LV	PART NUMBER	Q'TY	DESCRIPTION	REMARKS	NOTE1	NOTE2
28		C304-000010	1	SPIKED			
29		91145-05020	2	BOLT HS TAPPING	5*20		
30		91145-05016	1	BOLT HS TAPPING	5*16		
31		C310-000000	1	CATCHER, CHAIN			
32		150114-04920	1	BUSHING			
33		P021-009856	1	COVER ENGINE ASY			
34	+	V341-000050	1	WASHER,SQUARE			
36	+	436114-13930	1	VALVE, CHECK			
37		P021-007630	1	CAP ASY,TANK			
38	+	900721-00025	1	O-RING 25	G-25		
39	+	A365-000050	1	CONNECTOR,CAP			
40		100918-15130	2	CAP			
41		100915-33930	2	SCREW			
42		100910-60030	2	CUSHION			
43		900162-05030	4	BOLT, H.S. 5*30	5*30 W,SW		
44		V420-001250	2	CUSHION			
45		890631-38130	1	LABEL, CAUTION			
46		890345-39230	1	LABEL,CAUTION			
47		V341-000060	1	WASHER,SQUARE			
48		V341-000070	1	WASHER,SQUARE			

## 2. AIR CLEANER, CARBURETOR, MUFFLER



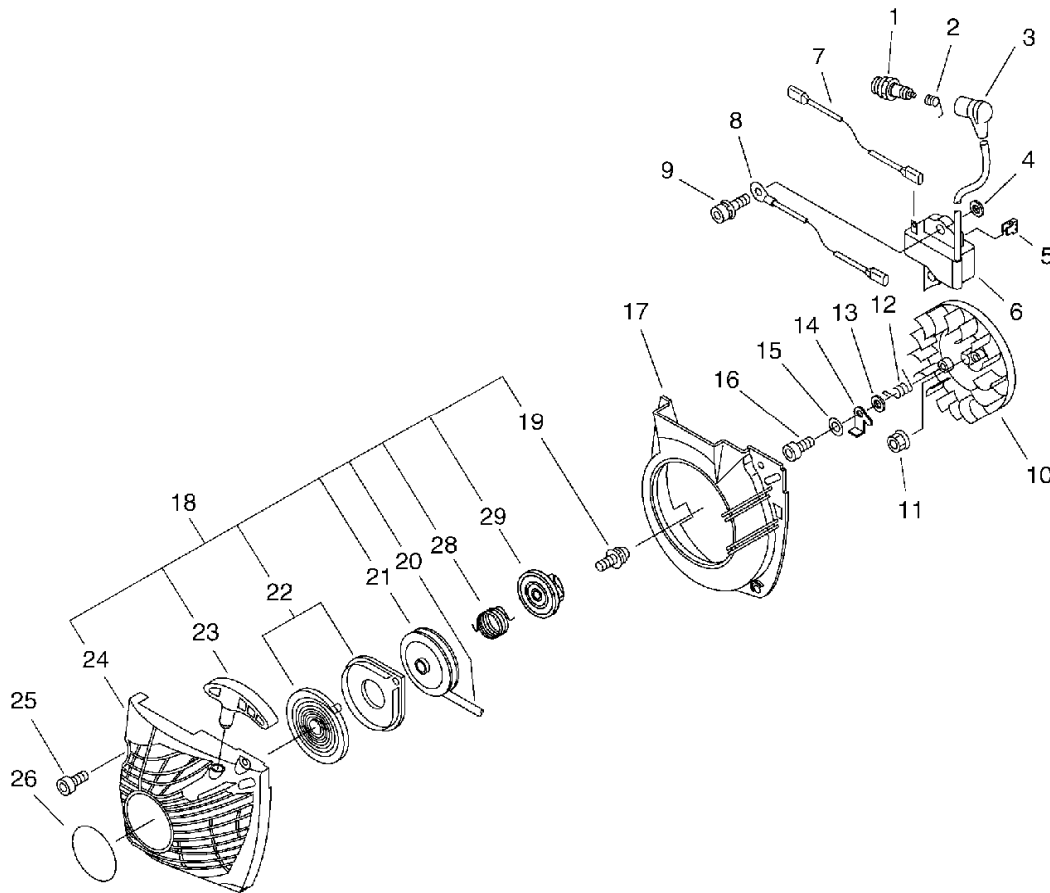
KEY	LV	PART NUMBER	Q'TY	DESCRIPTION	REMARKS	NOTE1	NOTE2
1		V420-001420	1	CUSHION			
2		130007-39932	1	INSULATOR			
3	+	130020-33330	2	NUT			
4		V103-000280	1	GASKET,INTAKE	NP4200 T1.0		
5		V471-001600	1	PIPE	2.4*6*105		
6		132013-09820	1	CLIP	6MM		
7		A021-001790	1	CARBURETOR,DIAPHRAGM	WT-950		
8		130405-38332	1	BRACKET, AIR CLEANER			
9		130300-39730	1	CLEANER ASM., AIR			
10		130301-39935	1	ADAPTER, INTAKE	ID #1230		
11		900238-05050	2	SCREW 5*50	5*50		
12		900253-05020	1	SCREW 5*20	5*20		
13		900600-00005	1	WASHER 5	5		
14		C454-000100	1	ROD, THROTTLE			
15		A439-000145	1	BRACKET, SWITCH			
16		V471-001280	1	PIPE	2.4*5*105		
17		V471-001470	1	PIPE	2.4*5*200		
18		123181-39130	1	PUMP, PRIMER			
19		V486-000021	1	TERMINAL, LEAD			
20		351134-39930	2	CUSHION			
21		890157-39130	1	LABEL, SWITCH			
22		163400-38330	1	SWITCH, IGNITION			
23		178810-14534	1	GROMMET			
24		A241-000140	1	KNOB, CHOKE			
25		900220-04008	2	SCREW 4*8	4*8		
26		A313-000810	1	GUIDE, EXHAUST	ID#1260		

2. AIR CLEANER, CARBURETOR, MUFFLER



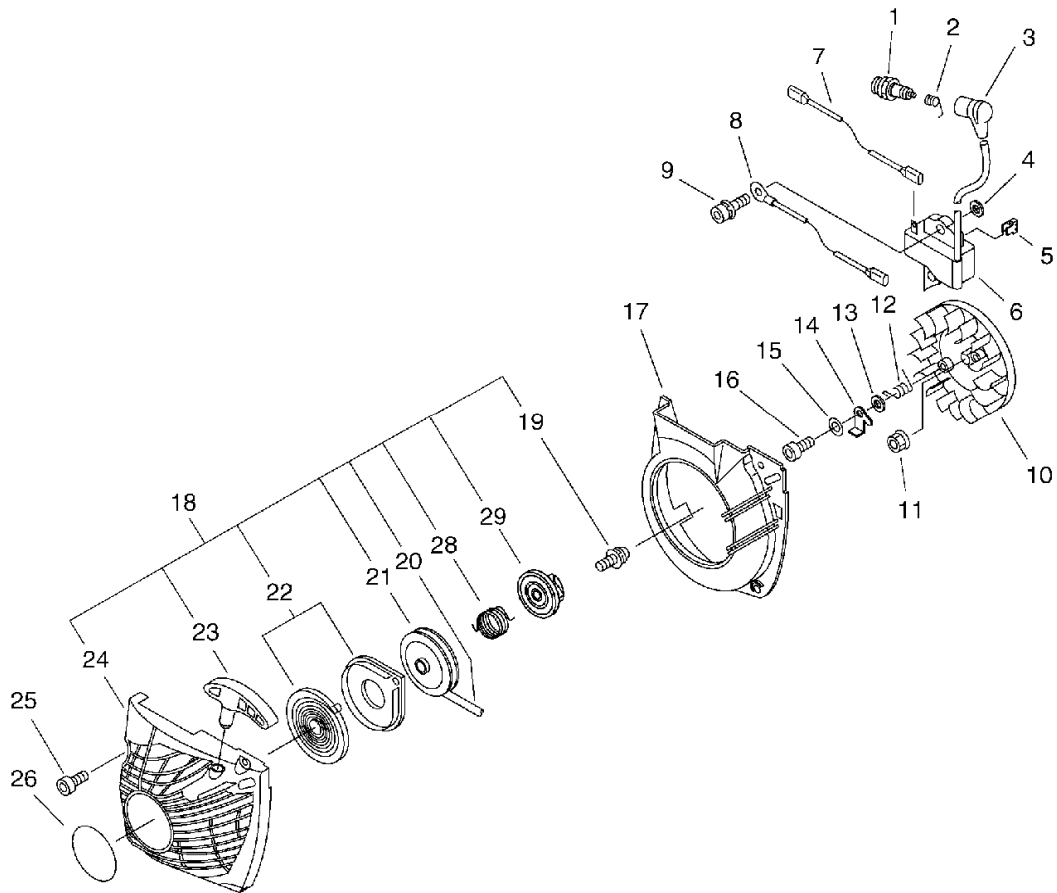
KEY	LV	PART NUMBER	Q'TY	DESCRIPTION	REMARKS	NOTE1	NOTE2
27		A310-000060	1	SCREEN, ARRESTOR			
28		900516-00005	2	NUT, FRANGE 5	5		
29		A300-000680	1	MUFFLER, EXHAUST			
30		V104-000731	1	GASKET, EXHAUST			
31		V203-000220	2	BOLT, 5			
32		V150-001820	1	PLATE, EYE			

## 3. STARTER, MAGNETO



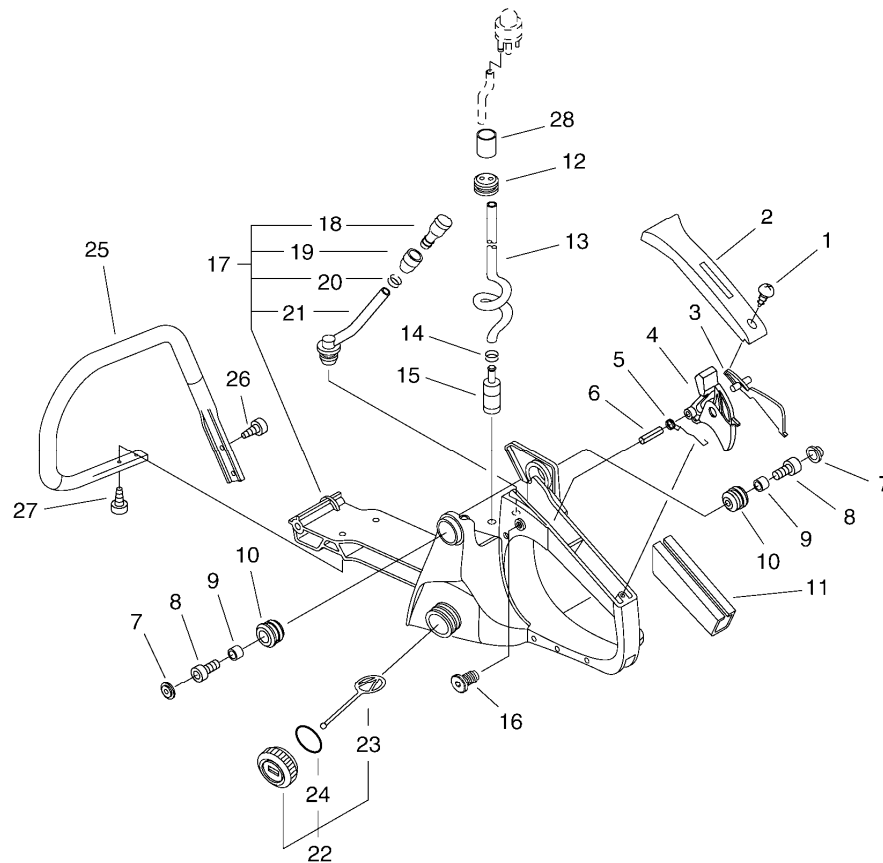
KEY	LV	PART NUMBER	Q'TY	DESCRIPTION	REMARKS	NOTE1	NOTE2
1		A425-000000	1	SPARKPLUG	BPMR8Y		
2		A426-000010	1	TERMINAL, SPARKPLUG			
3		A427-000013	1	CAP, SPARK PLUG			
4		150117-16430	2	SPACER			
5		V490-000310	1	CLIP			
6		A411-000264	1	COIL, IGNITION			
7		V485-000680	1	LEAD			
8		V485-000620	1	LEAD	L=140		
9		900162-05020	2	BOLT, H.S. 5*20	5*20 W,SW		
10		A409-000272	1	ROTOR, MAGNETO	FW-46		
11		900515-00008	1	NUT, FLANGE 8	8		
12		177234-35430	2	SPRING, RETURN			
13		177247-04630	2	SPACER, RATCHET	5.2*8*2.1		
14		A514-000050	2	PAWL			
15		900603-00005	2	WASHER 5	5.5*12*0.8		
16		V203-000090	2	BOLT, 5	M5*14		
17		A172-000572	1	COVER, FAN			
18		A051-000981	1	STARTER, RECOIL ASY			
19	+	177236-61830	1	SCREW			
28	+	V452-000220	1	SPRING, TORSION	D2.3φ21.1		
29	+	A507-000021	1	CATCHER, PAWL			
20	+	P022-008440	1	ROPE, STARTER	3.5*900		
21	+	A506-000080	1	REEL, ROPE			
22	+	P022-010440	1	SPRING KIT, REWIND			
23	+	P022-005890	1	GRIP, STARTER			
24	+	A500-000421	1	CASE, STARTER			

### 3. STARTER, MAGNETO



KEY	LV	PART NUMBER	Q'TY	DESCRIPTION	REMARKS	NOTE1	NOTE2
25		91145-05020	4	BOLT HS TAPPING	5*20		
26		X502-000410	1	LABEL,ECHO			

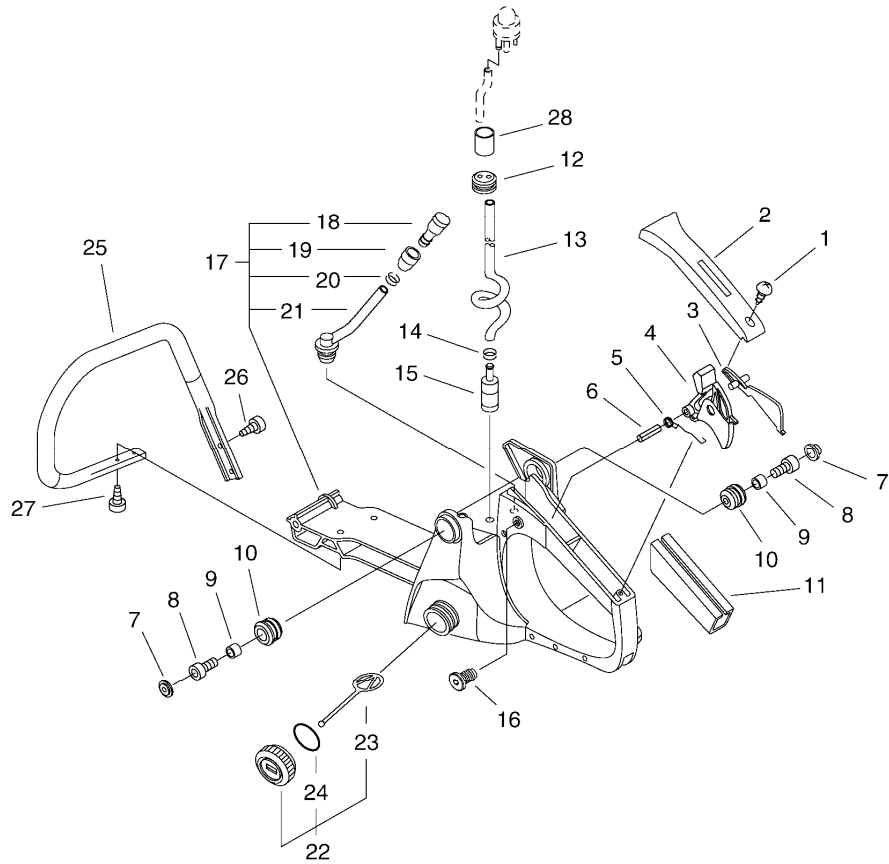
## 4. HANDLE



KEY	LV	PART NUMBER	Q'TY	DESCRIPTION	REMARKS	NOTE1	NOTE2
1		900253-04014	1	SCREW 4*14	4*14		
2		351155-35430	1	COVER, HANDLE (BL)			
3		C460-000072	1	LOCKOUT, THROTTLE			
4		C450-000212	1	CONTROL, THROTTLE			
5		V452-000260	1	SPRING, TORSION			
6		900345-40030	1	PIN, SPRING 4*30SUS	4*30SUS		
7		100918-15130	2	CAP			
8		900105-04020	2	BOLT, H.S. 4*20	4*20		
9		100915-15131	2	SUPPORTER, CUSHION			
10		V400-000051	2	CUSHION, 4			
11		351111-19830	1	GRIP, HANDLE			
12		132115-44330	1	GROMMET			
13		132010-00760	1	PIPE, FUEL	3*5*250L		
14		132013-09820	1	CLIP	6MM		
15		131205-19831	1	STRAINER, FUEL			
16		V162-000040	1	PLUG			
17		P021-010592	1	HANDLE SET, REAR			
18	+	131300-56430	1	VALVE, CHECK			
19	+	131328-40630	1	COVER, VENT			
20	+	132013-26630	1	CLIP	6.5MM		
21	+	132012-39931	1	PIPE	3*6*65		
22		P021-010600	1	FUEL CAP ASY			
23	+	A365-000050	1	CONNECTOR, CAP			
24	+	900720-00022	1	O-RING 22	P-22		
25		C400-000430	1	HANDLE, FRONT			
26		91145-05020	2	BOLT HS TAPPING	5*20		

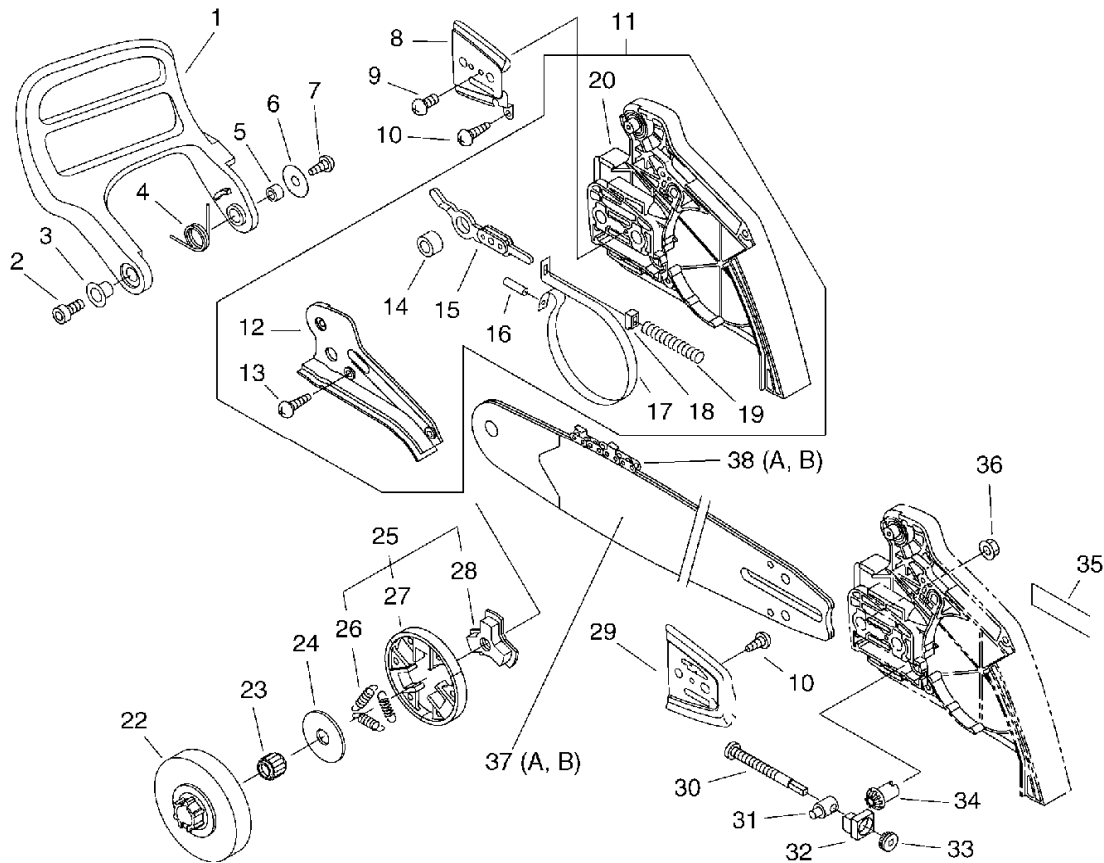


4. HANDLE



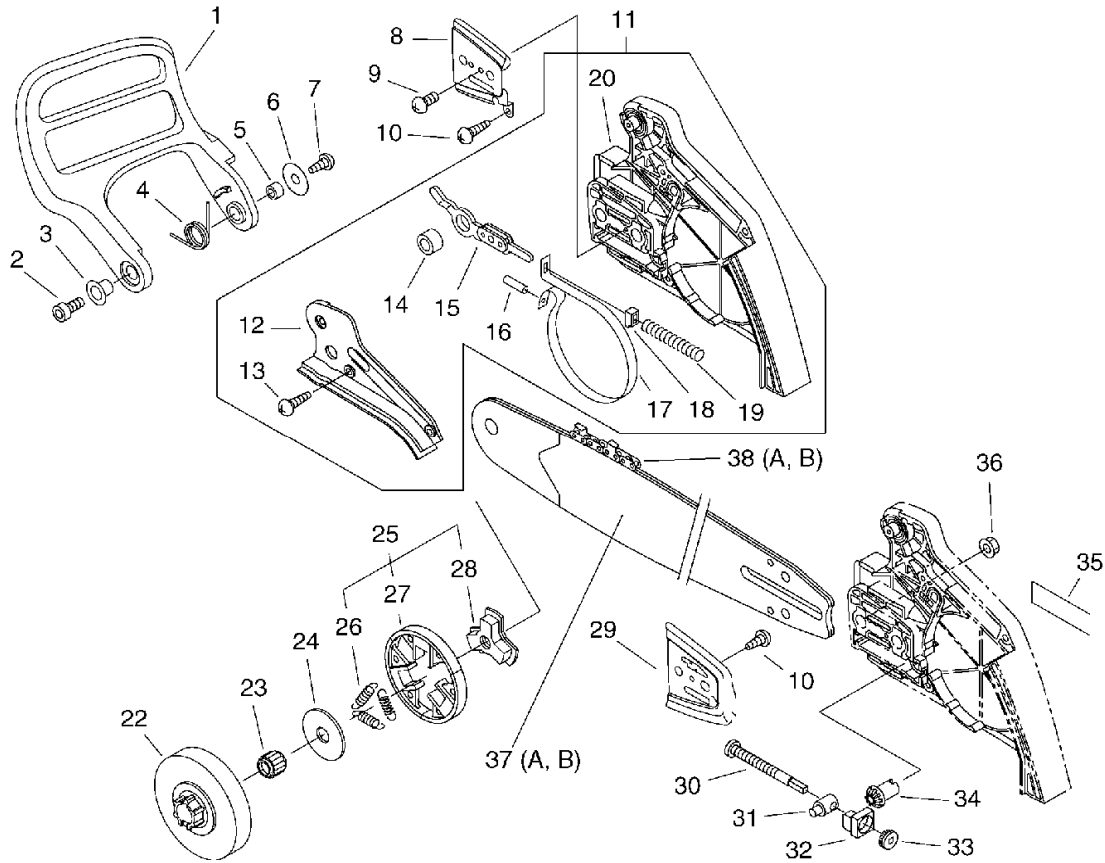
KEY	LV	PART NUMBER	Q'TY	DESCRIPTION	REMARKS	NOTE1	NOTE2
27		91145-05016	2	BOLT HS TAPPING	5*16		
28		V475-003970	1	TUBE			

## 5. CLUTCH, SPROCKET



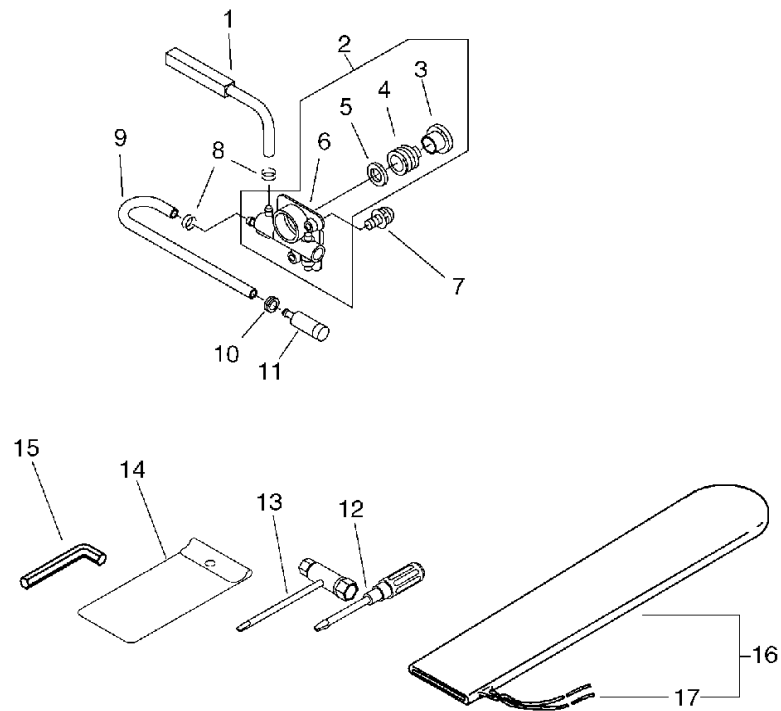
KEY	LV	PART NUMBER	Q'TY	DESCRIPTION	REMARKS	NOTE1	NOTE2
1		C320-000112	1	LEVER, BRAKE			
2		91145-05016	1	BOLT HS TAPPING	5*16		
3		V356-000300	1	COLLAR,10			
4		V452-000250	1	SPRING,TORSION			
5		433116-35430	1	SPACER 8	8*12*9		
6		177214-03930	1	WASHER			
7		V202-000070	1	BOLT,4			
8		C305-000011	1	PLATE,SPROCKET GUARD			
8		C305-000012	1	PLATE,SPROCKET GUARD			
9		91325-03005	1	SCREW			
10		V202-000060	2	BOLT,4	4*12		
11		C032-000283	1	BRAKE ASY. CHAIN			
12	+	C345-000211	1	COVER,BRAKE			
13	+	V202-000060	3	BOLT,4	4*12		
14	+	433116-35430	1	SPACER 8	8*12*9		
15	+	C334-000090	1	CONNECTOR, BRAKE			
16	+	93050-30098	1	ROLLER	F3*9.8		
17	+	C328-000080	1	BAND, BRAKE			
18	+	V376-000450	1	SPACER			
19	+	V450-000070	1	SPRING,COMPRESSION			
20	+	C300-000313	1	GUARD, SPROCKET			
22		A556-000480	1	DRUM, CLUTCH			
23		175012-00831	1	BEARING, NEEDLE			
24		175019-39430	1	PLATE, CLUTCH			
25		A056-000180	1	CLUTCH ASY			
26	+	V451-000500	3	SPRING,TENSION			

5. CLUTCH, SPROCKET



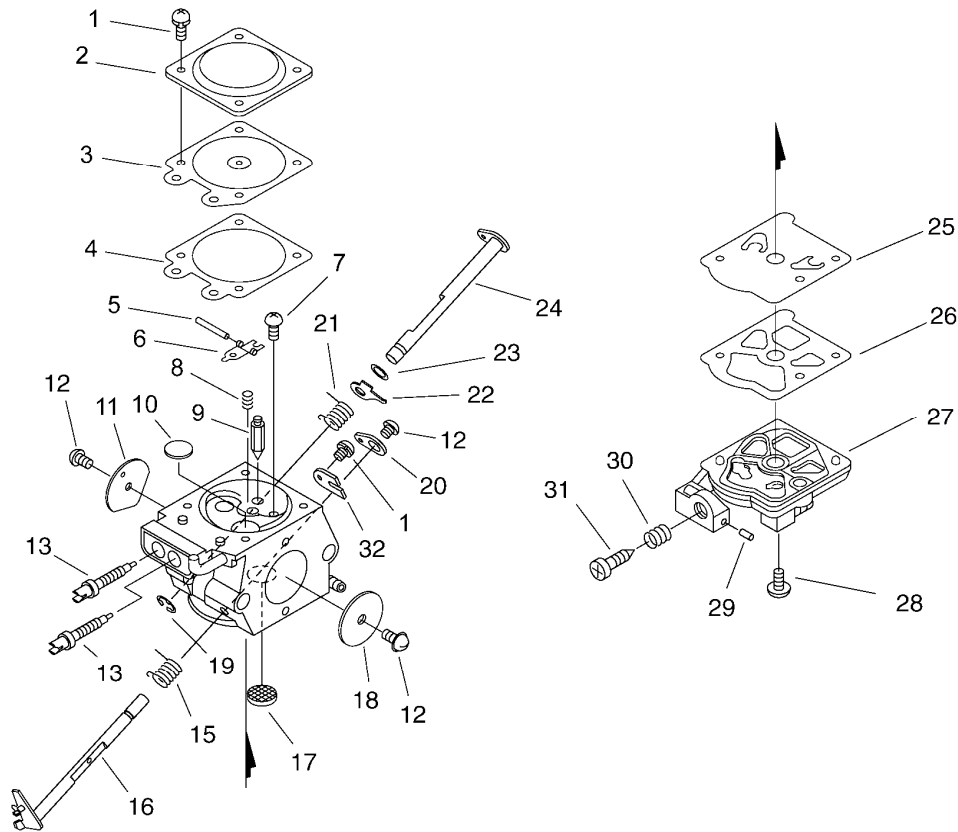
KEY	LV	PART NUMBER	Q'TY	DESCRIPTION	REMARKS	NOTE1	NOTE2
27	+	P021-007050	1	CLUTCH SHOE SET			
28	+	A552-000070	1	HUB, CLUTCH			
29		433012-39930	1	PLATE, GUIDE			
30		V203-000110	1	BOLT,5			
31		C309-000030	1	TENSIONER,CHAIN			
32		V355-000270	1	COLLAR,8			
33		V651-000011	1	GEAR,BEVEL			
34		V651-000001	1	GEAR,BEVEL			
35		X502-000340	1	LABEL,ECHO	ECHO(WHITE)		
36		433019-12330	2	NUT, FLANGE 8	M-8		
37A		430521-37333	1	BAR, GUIDE 38RD58325	38RD58-325		
37B		430527-37333	1	BAR, GUIDE 43RD58325	43RD58-325		
38A		431721-30230	1	CHAIN, SAW 21BP-64E	21BP-64E		
38B		431717-30230	1	CHAIN, SAW 21BP-72E	21BP-72E		

## 6. AUTO-OILER



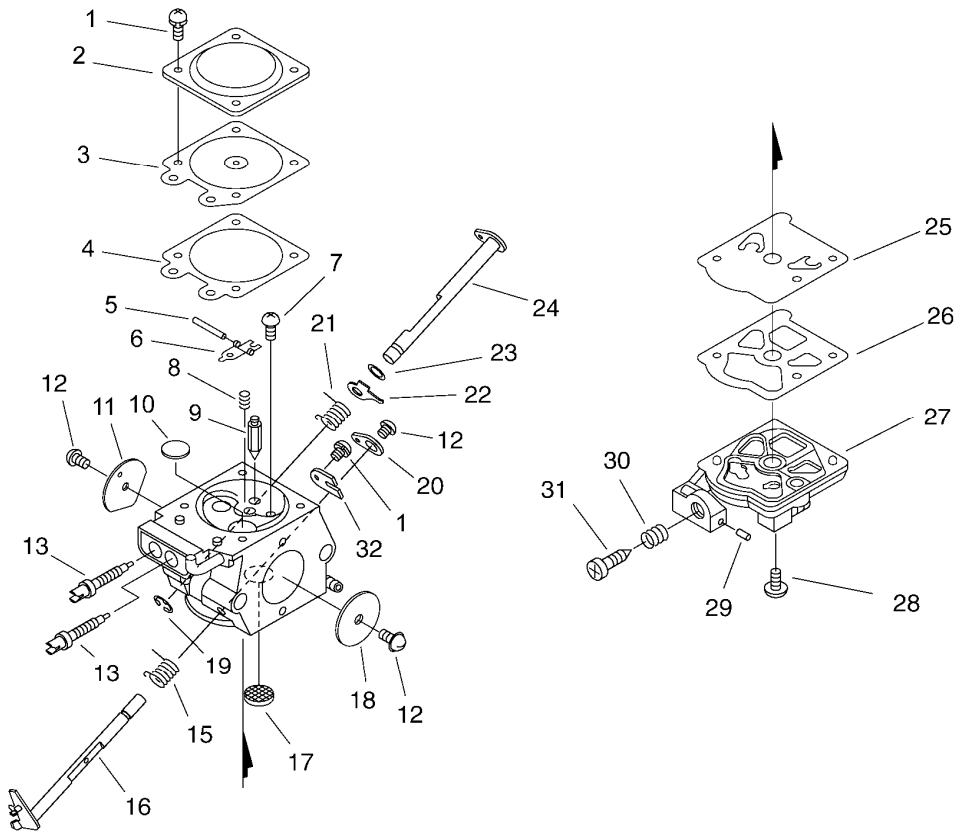
KEY	LV	PART NUMBER	Q'TY	DESCRIPTION	REMARKS	NOTE1	NOTE2
1		437210-39931	1	PIPE			
2		P021-012150	1	AUTO-OILER ASY			
3	+	V356-000390	1	COLLAR,10			
4	+	V652-000030	1	GEAR,WORM			
5	+	V308-000030	1	WASHER,CIRCULAR 11	10.5*17.4*1.8		
6	+	C022-000020	1	AUTO-OILER ASSEMBLY			
7		900238-04012	2	SCREW 4*12	4*12		
8		132013-26630	2	CLIP	6.5MM		
9		437210-35430	1	PIPE			
10		132115-12330	1	GROMMET			
11		436205-14730	1	STRAINER, OIL			
12		895812-03930	1	DRIVER, SCREW 50			
13		X602-000080	1	TOOL,WRENCH	13*19 L180		
14		898510-07130	1	BAG, TOOL			
15		895610-00130	1	L-WRENCH (4MM)			
16		P021-014660	1	SCABBARD,CHAIN			
17	+	898568-14530	1	ROPE	5*900		

## 7. CARBURETOR



KEY	LV	PART NUMBER	Q'TY	DESCRIPTION	REMARKS	NOTE1	NOTE2
		A021-001790	1	CARBURETOR,DIAPHRAGM	WT-950		
1	+	123130-02960	1	SCREW			
2	+	123142-03930	1	COVER, M. DIAPHRAGM			
3	+	P003-001850	1	DIAPHRAGM, METERING			
4	+	123140-03930	1	GASKET, M. DIAPHRAGM			
5	+	123138-03930	1	PIN, METERING LEVER			
6	+	123123-03930	1	LEVER, METERING			
7	+	123139-03930	1	SCREW, M. LEVER PIN			
8	+	123122-39330	1	SPRING, METER. LEVER			
9	+	123137-19830	1	VALVE, INLET NEEDLE			
10	+	123146-10631	1	PLUG, WELCH			
11	+	P003-001790	1	VALVE, CHOKE			
12	+	123114-38830	3	SCREW			
13	+	P003-002270	2	NEEDLE			
15	+	123113-37530	1	SPRING, THROTTLE RTN			
16	+	P003-001810	1	SHAFT ASY, THROTTLE			
17	+	123126-10631	1	SCREEN, INLET			
18	+	123116-10530	1	VALVE, THROTTLE			
19	+	123127-15030	1	RING			
20	+	P003-001780	1	LEVER, THROTTLE			
21	+	P003-000140	1	SPRING			
22	+	P003-001510	1	LEVER-FAST IDLE			
23	+	123149-26030	1	WASHER			
24	+	P003-000150	5	CHOKE, SHAFT			
25	+	123112-15030	1	DIAPHRAGM, FUEL PUMP			
26	+	123125-15030	1	GASKET, FUEL PUMP			

7. CARBURETOR



KEY	LV	PART NUMBER	Q'TY	DESCRIPTION	REMARKS	NOTE1	NOTE2
27	+	123124-38330	1	COVER, FUEL PUMP			
28	+	123110-03930	1	SCREW, PUMP COVER			
29	+	123178-15030	1	PLUG, FRICTION			
30	+	123133-04260	1	SPRING, IDLE ADJUST			
31	+	123134-04260	1	SCREW, IDLE ADJUST			
32	+	123127-03930	1	CLIP, THROTTLE SHAFT			

**Index**

<b>Patrs Number</b>	<b>Key No.</b>	<b>Patrs Number</b>	<b>Key No.</b>	<b>Patrs Number</b>	<b>Key No.</b>
100012-16131	1 - 11	132115-44330	4 - 12	900720-00022	4 - 24
100014-53630	1 - 10	150114-04920	1 - 32	900721-00025	1 - 38
100015-03931	1 - 9	150117-16430	3 - 4	900888-36201	1 - 16
100142-12330	1 - 12	163400-38330	2 - 22	91145-05016	1 - 30
100910-60030	1 - 42	175012-00831	5 - 23	91145-05016	4 - 27
100915-15131	4 - 9	175019-39430	5 - 24	91145-05016	5 - 2
100915-33930	1 - 41	177214-03930	5 - 6	91145-05020	1 - 29
100918-15130	1 - 40	177234-35430	3 - 12	91145-05020	3 - 25
100918-15130	4 - 7	177236-61830	3 - 19	91145-05020	4 - 26
123110-03930	7 - 28	177247-04630	3 - 13	91325-03005	5 - 9
123112-15030	7 - 25	178810-14534	2 - 23	93050-30098	5 - 16
123113-37530	7 - 15	351111-19830	4 - 11	A021-001790	2 - 7
123114-38830	7 - 12	351134-39930	2 - 20	A021-001790	7 -
123116-10530	7 - 18	351155-35430	4 - 2	A051-000981	3 - 18
123122-39330	7 - 8	430521-37333	5 - 37A	A056-000180	5 - 25
123123-03930	7 - 6	430527-37333	5 - 37B	A101-000160	1 - 7
123124-38330	7 - 27	431717-30230	5 - 38B	A160-000764	1 - 23
123125-15030	7 - 26	431721-30230	5 - 38A	A172-000572	3 - 17
123126-10631	7 - 17	433012-39930	5 - 29	A202-000060	1 - 2
123127-03930	7 - 32	433019-12330	5 - 36	A209-000000	1 - 26
123127-15030	7 - 19	433116-35430	5 - 5	A232-000023	1 - 19
123130-02960	7 - 1	433116-35430	5 - 14	A235-000020	1 - 17
123133-04260	7 - 30	436114-13930	1 - 36	A241-000140	2 - 24
123134-04260	7 - 31	436205-14730	6 - 11	A300-000680	2 - 29
123137-19830	7 - 9	437210-35430	6 - 9	A310-000060	2 - 27
123138-03930	7 - 5	437210-39931	6 - 1	A313-000810	2 - 26
123139-03930	7 - 7	890157-39130	2 - 21	A365-000050	1 - 39
123140-03930	7 - 4	890345-39230	1 - 46	A365-000050	4 - 23
123142-03930	7 - 2	890631-38130	1 - 45	A409-000272	3 - 10
123146-10631	7 - 10	895610-00130	6 - 15	A411-000264	3 - 6
123149-26030	7 - 23	895812-03930	6 - 12	A425-000000	3 - 1
123178-15030	7 - 29	898510-07130	6 - 14	A426-000010	3 - 2
123181-39130	2 - 18	898568-14530	6 - 17	A427-000013	3 - 3
130007-39932	2 - 2	900105-04020	4 - 8	A439-000145	2 - 15
130020-33330	2 - 3	900162-05020	3 - 9	A500-000421	3 - 24
130300-39730	2 - 9	900162-05022	1 - 5	A506-000080	3 - 21
130301-39935	2 - 10	900162-05030	1 - 43	A507-000021	3 - 29
130338-32430	1 - 20	900220-04008	2 - 25	A514-000050	3 - 14
130405-38332	2 - 8	900238-04012	6 - 7	A552-000070	5 - 28
131205-19831	4 - 15	900238-05014	1 - 1	A556-000480	5 - 22
131300-56430	4 - 18	900238-05020	1 - 22	C022-000020	6 - 6
131328-40630	4 - 19	900238-05050	2 - 11	C032-000283	5 - 11
132010-00760	4 - 13	900253-04014	4 - 1	C300-000313	5 - 20
132012-39931	4 - 21	900253-05020	2 - 12	C304-000010	1 - 28
132013-09820	2 - 6	900345-40030	4 - 6	C305-000011	5 - 8
132013-09820	4 - 14	900515-00008	3 - 11	C305-000012	5 - 8
132013-26630	4 - 20	900516-00005	2 - 28	C309-000030	5 - 31
132013-26630	6 - 8	900600-00005	2 - 13	C310-000000	1 - 31
132115-12330	6 - 10	900603-00005	3 - 15	C320-000112	5 - 1

**Index**

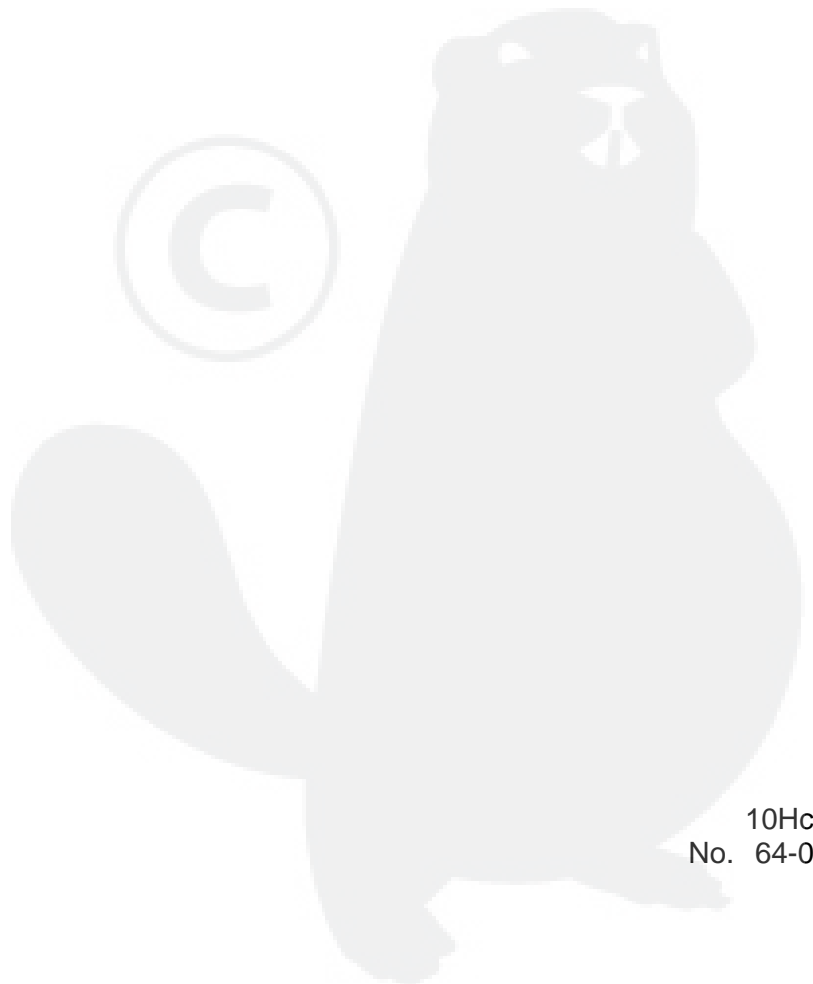
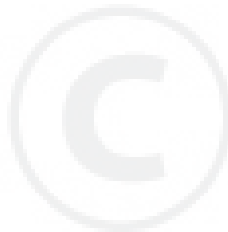
<b>Patrs Number</b>	<b>Key No.</b>	<b>Patrs Number</b>	<b>Key No.</b>	<b>Patrs Number</b>	<b>Key No.</b>
C328-000080	5 - 17	V420-001250	1 - 44		
C334-000090	5 - 15	V420-001420	2 - 1		
C345-000211	5 - 12	V450-000070	5 - 19		
C400-000430	4 - 25	V451-000500	5 - 26		
C450-000212	4 - 4	V452-000220	3 - 28		
C454-000100	2 - 14	V452-000250	5 - 4		
C460-000072	4 - 3	V452-000260	4 - 5		
P003-000140	7 - 21	V471-001280	2 - 16		
P003-000150	7 - 24	V471-001470	2 - 17		
P003-001510	7 - 22	V471-001600	2 - 5		
P003-001780	7 - 20	V475-003970	4 - 28		
P003-001790	7 - 11	V485-000620	3 - 8		
P003-001810	7 - 16	V485-000680	3 - 7		
P003-001850	7 - 3	V486-000021	2 - 19		
P003-002270	7 - 13	V490-000310	3 - 5		
P021-007050	5 - 27	V505-000010	1 - 15		
P021-007630	1 - 37	V505-000011	1 - 15		
P021-009856	1 - 33	V607-000000	1 - 8		
P021-010574	1 - 4	V651-000001	5 - 34		
P021-010582	1 - 6	V651-000011	5 - 33		
P021-010592	4 - 17	V652-000030	1 - 14		
P021-010600	4 - 22	V652-000030	6 - 4		
P021-012150	6 - 2	X502-000340	5 - 35		
P021-013620	1 - 13	X502-000410	3 - 26		
P021-014660	6 - 16	X503-008450	1 - 18		
P022-005890	3 - 23	X524-001900	1 - 27		
P022-008440	3 - 20	X602-000080	6 - 13		
P022-010440	3 - 22				
V103-000280	2 - 4				
V103-000290	1 - 3				
V104-000731	2 - 30				
V135-000010	1 - 24				
V150-001820	2 - 32				
V162-000040	4 - 16				
V202-000060	5 - 10				
V202-000060	5 - 13				
V202-000070	5 - 7				
V203-000090	3 - 16				
V203-000110	5 - 30				
V203-000220	2 - 31				
V308-000030	6 - 5				
V341-000050	1 - 34				
V341-000060	1 - 47				
V341-000070	1 - 48				
V355-000270	5 - 32				
V356-000300	5 - 3				
V356-000390	6 - 3				
V376-000450	5 - 18				
V400-000051	4 - 10				



# YAMABIKO CORPORATION

7-2 SUEHIROCHO 1-CHOME, OHME, TOKYO 198-8760, JAPAN  
PHONE: 81-428-32-6118. FAX: 81-428-32-6145.

**ECHO**®



10Hc  
No. 64-067