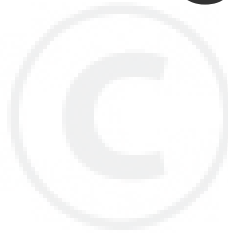




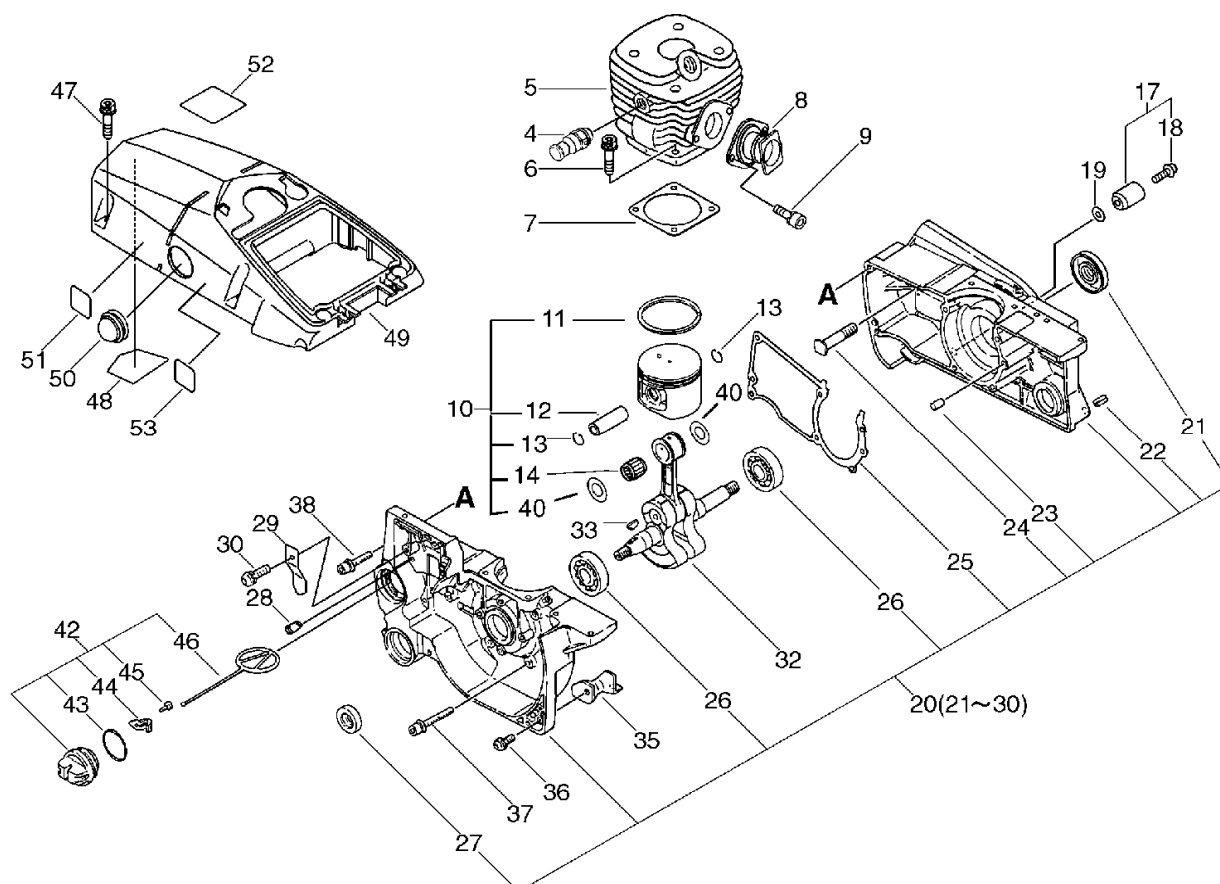
PARTS CATALOG

CHAIN SAW CS-680(36)



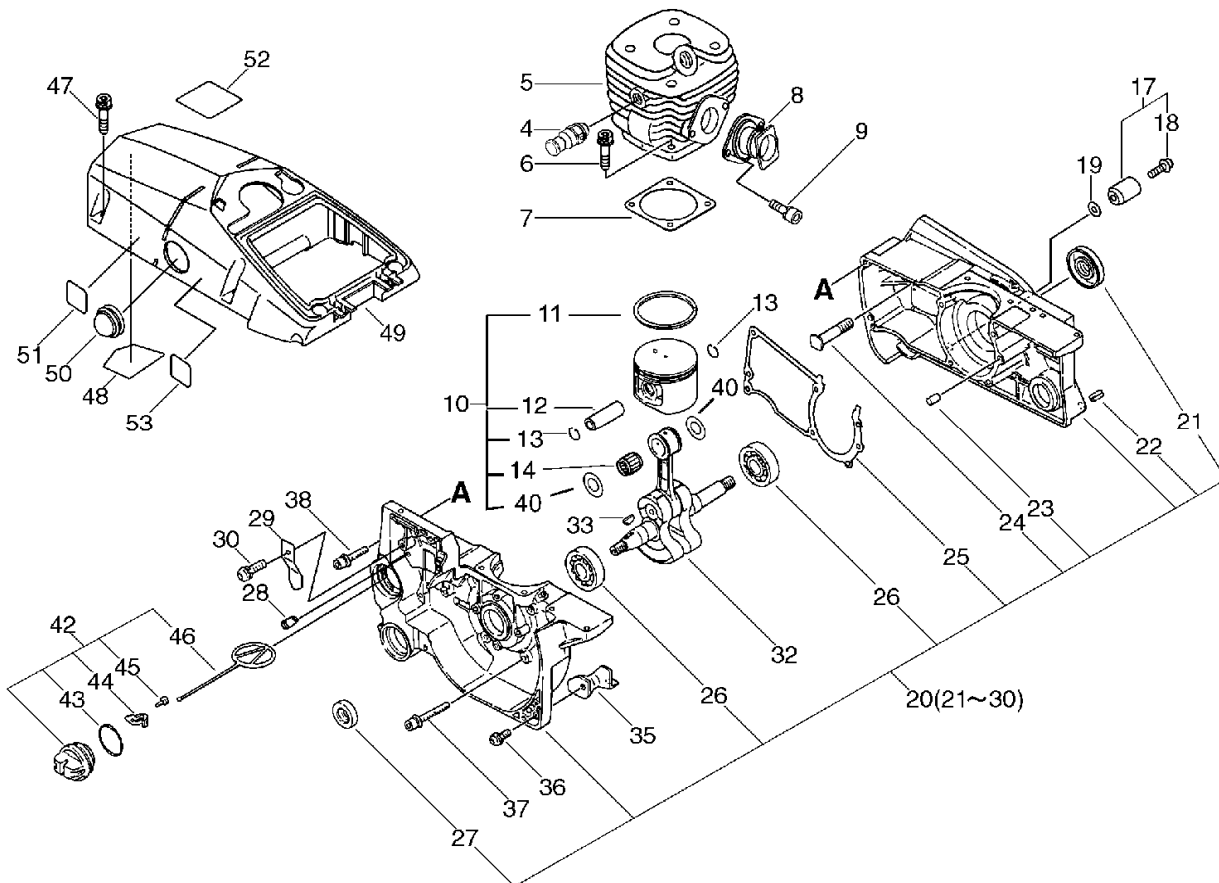
CS-680(36)

1. Cylinder, Crankcase, Piston



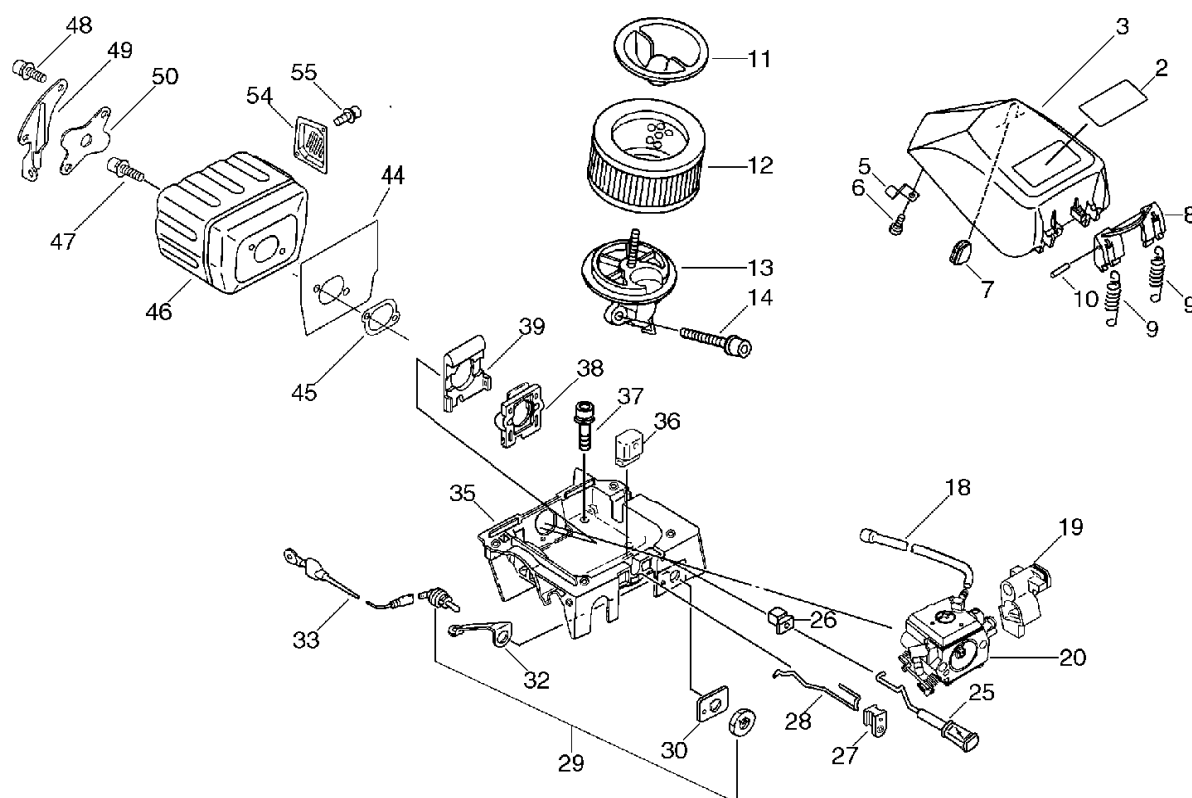
KEY	LV	PART NUMBER	Q'TY	DESCRIPTION	REMARKS	NOTE1	NOTE2
4		A014-000010	1	DECOMP,ASM			
5		A130-000241	1	CYLINDER			
6		900162-05025	4	BOLT, H.S. 5*25	5*25 W,SW		
7		101010-32431	1	GASKET, CYL. BASE			
8		A202-000011	1	BELLOWS,INTAKE			
9		900162-05014	2	BOLT, H.S. 5*14	5*14 W,SW		
10		P021-015290	1	PISTON KIT			
11	+	A101-000150	1	RING, PISTON	50*1.2*2.2		
12	+	V610-000000	1	PIN,ENG 12			
13	+	V580-000000	2	RING,END			
14	+	100012-32430	1	BEARING, NEEDLE			
40	+	100014-18430	2	SPACER, PISTON PIN			
17		P021-002880	1	BUMPER,SPIKED			
18	+	900220-05018	1	SCREW 5*18	5*18		
19		900600-00005	1	WASHER 5	5		
20		100204-32435	1	CRANKCASE KIT			
21	+	100212-32430	1	OILSEAL (L)	25Z-15*39.9*7		
22	+	900342-50025	1	PIN, SPRING 5*25	5*25		
23	+	100215-02830	2	PIN, DOWEL			
24	+	433011-19830	2	STUD, GUIDE BAR			
25	+	100242-32430	1	GASKET, CRANKCASE			
26	+	900810-36202	2	BEARING, BALL 6202	6202/C3		
27	+	100212-19830	1	OILSEAL	ISM 15*25*6		
28	+	436114-13930	1	VALVE, CHECK			
29	+	V150-000570	1	PLATE,EYE			

1. Cylinder, Crankcase, Piston



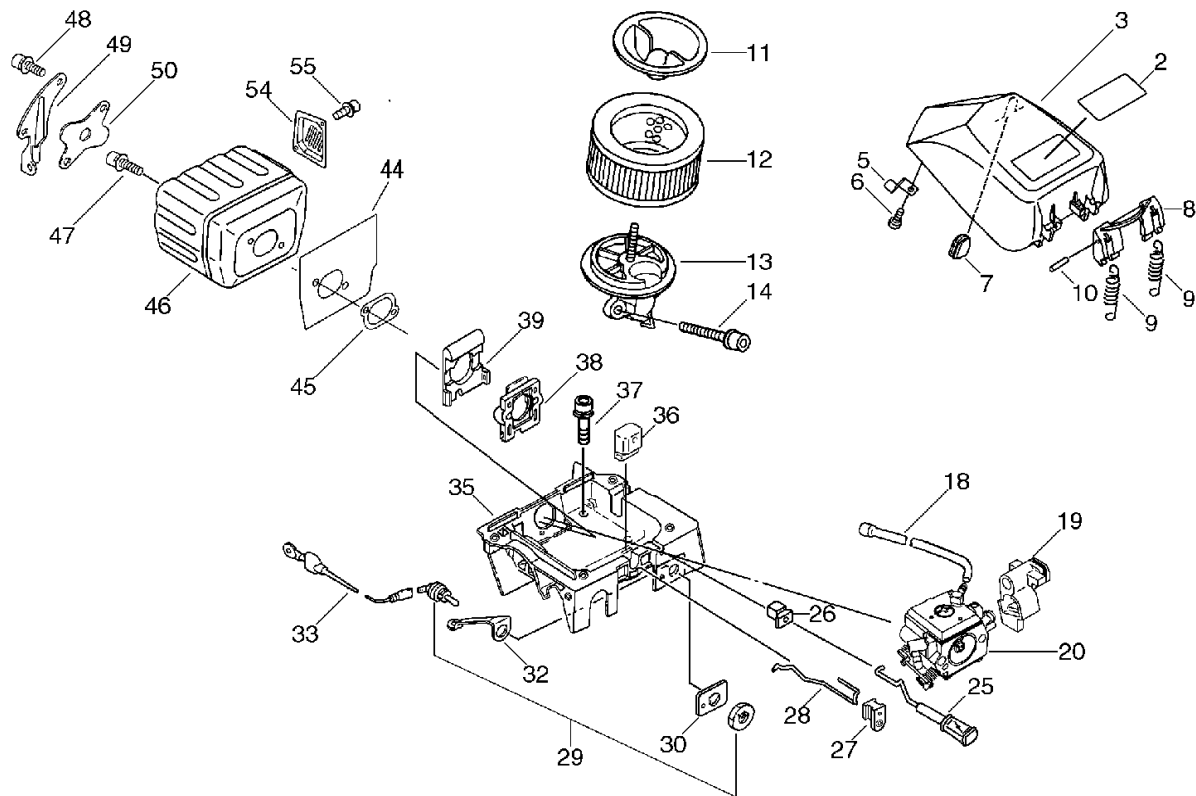
KEY	LV	PART NUMBER	Q'TY	DESCRIPTION	REMARKS	NOTE1	NOTE2
30	+	900242-04008	1	SCREW	4*8		
32		A011-000250	1	CRANKSHAFT,ASM			
33		100142-30830	1	KEY, WOODRUFF			
35		V401-000060	1	CUSHION,5			
36		900238-05014	2	SCREW 5*14	5*14		
37		900162-05035	4	BOLT, H.S. 5*35	5*35 W,SW		
38		900162-05020	2	BOLT, H.S. 5*20	5*20 W,SW		
42		436001-37933	1	CAP ASSY, OIL TANK			
43	+	900725-02025	1	O-RING	JASO 2025		
44	+	131050-19830	1	RETAINER, LINK			
45	+	900246-03008	1	SCREW 3*8	3*8		
46	+	131051-19830	1	LINK	60L		
47		900162-05020	5	BOLT, H.S. 5*20	5*20 W,SW		
48		V341-000010	1	WASHER,SQUARE			
49		A160-000331	1	COVER,CYLINDER			
50		101578-37531	1	PLUG			
51		X505-000000	1	LABEL,CAUTION			
52		890345-39230	1	LABEL,CAUTION			
53		X505-000180	1	LABEL,CAUTION			

2. Air Cleaner, Carburettor, Muffler



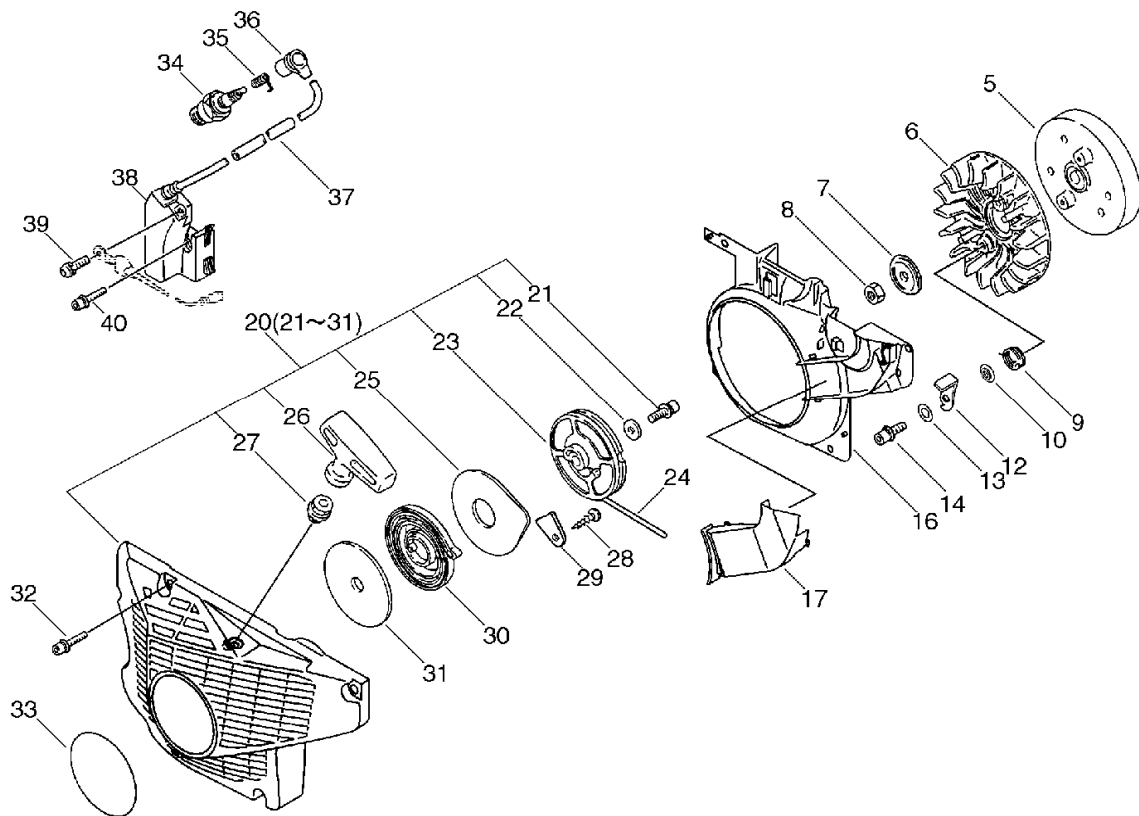
KEY	LV	PART NUMBER	Q'TY	DESCRIPTION	REMARKS	NOTE1	NOTE2
2		X503-009500	1	LABEL,MODEL	CS-680		
3		A232-000350	1	LID,CLEANER			
5		V453-000040	2	SPRING,FLAT			
6		900253-04010	2	SCREW 4*10	4*10		
7		130338-32430	1	PLUG, COVER			
8		A235-000050	1	KNOB,CLEANER LID			
9		V451-000190	2	SPRING,TENSION			
10		900330-30120	4	PIN	3*12		
11		A238-000030	1	HOLDER,ELEMENT			
12		A226-000070	1	ELEMENT,AIR FILTER			
13		A204-000020	1	ELBOW,CARBURETOR			
14		91107-05050	2	BOLT HSH FLANGE	5*50		
18		130110-19830	1	PIPE, IMPULSE			
19		V131-000010	1	GROMMET,NEEDLE			
20		A021-001780	1	CARBURETOR,DIAPHRAGM	HDA-272		
25		A241-000030	1	KNOB,CHOKE			
26		178810-33331	1	GROMMET, CHOKE			
27		178114-32630	1	HOLDER, THR. LEVER			
28		C454-000181	1	ROD, THROTTLE	MFZN3-C		
29		163400-32430	1	SWITCH, IGNITION			
30		890157-19830	1	LABEL, SWITCH			
32		156635-32430	1	PLATE, GROUND			
33		162021-32431	1	LEAD			
35		A220-000012	1	CASE,CARBURETOR			
36		V420-000540	1	CUSHION			
37		900162-05020	4	BOLT, H.S. 5*20	5*20 W,SW		

2. Air Cleaner, Carburettor, Muffler



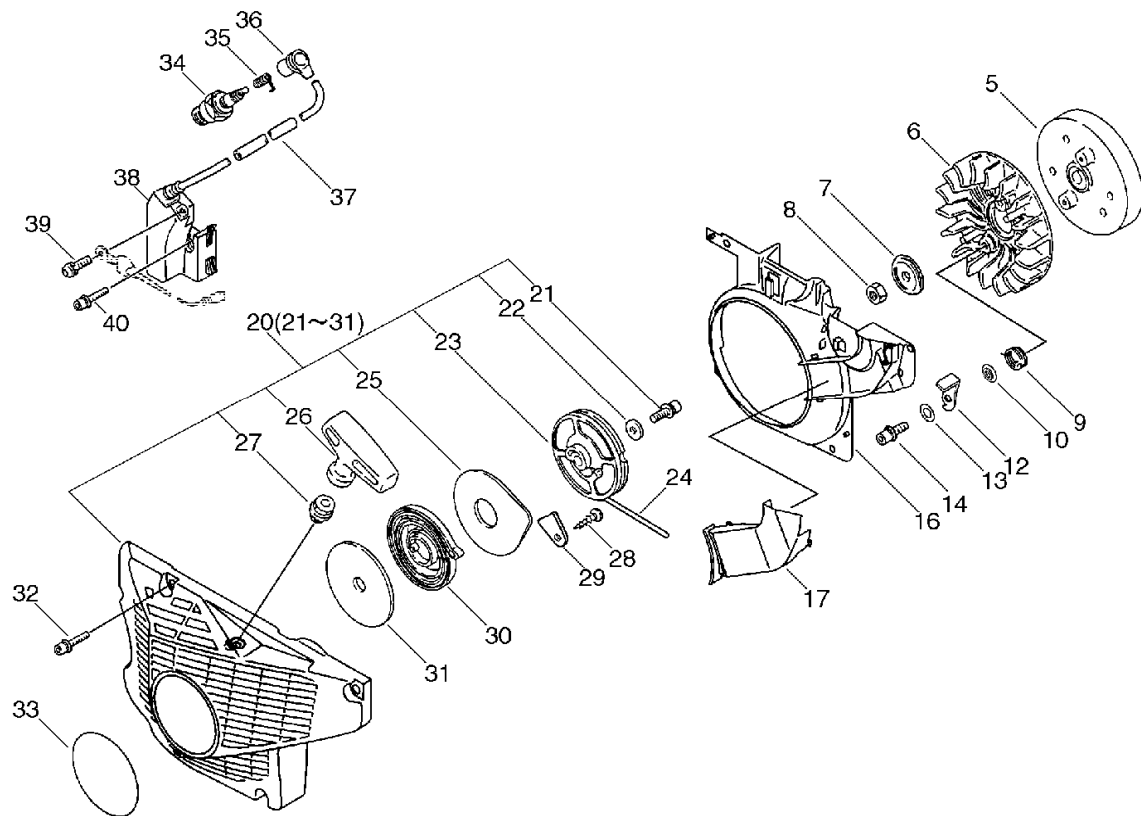
KEY	LV	PART NUMBER	Q'TY	DESCRIPTION	REMARKS	NOTE1	NOTE2
38		P021-002800	1	INSULATOR,INTAKE			
39		V420-000320	1	CUSHION			
44		V104-000920	1	GASKET,EXHAUST	NP-7002		
45		145510-32431	1	GASKET, MUFFLER			
46		A300-000781	1	MUFFLER, EXHAUST			
47		900162-05020	2	BOLT, H.S. 5*20	5*20 W,SW		
48		900162-05014	2	BOLT, H.S. 5*14	5*14 W,SW		
49		145711-32430	1	BRACKET, MUFFLER			
50		145813-31730	1	COVER, MUFFLER			
54		145861-32430	1	LID, MUFFLER			
55		900162-04010	2	BOLT, H.S. 4*10	4*10 W,SW		

3. Starter, Magneto



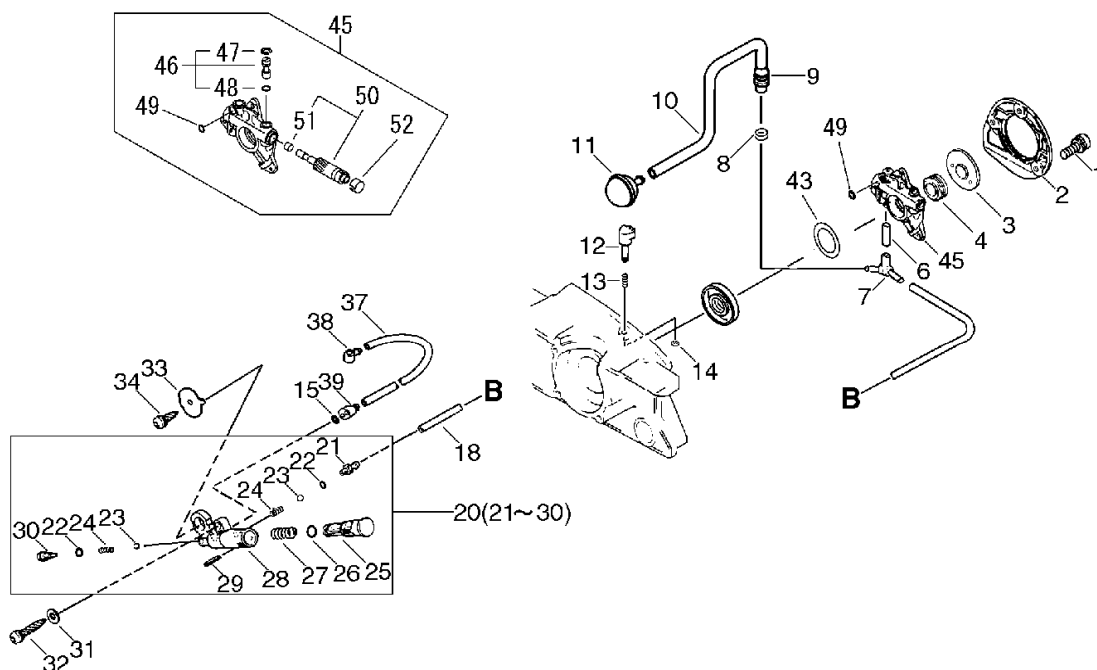
KEY	LV	PART NUMBER	Q'TY	DESCRIPTION	REMARKS	NOTE1	NOTE2
5		156800-32631	1	ROTOR, MAGNETO			
6		A171-000060	1	FAN, COOLING			
7		100143-19830	1	WASHER	8.2*31*0.8		
8		900500-00008	1	NUT 8	8*P1.25		
9		177234-19832	2	SPRING, RETURN			
10		V353-000192	2	COLLAR,5			
12		177218-32631	2	PAWL, STARTER			
13		900603-00005	2	WASHER 5	5.5*12*0.8		
14		V203-000150	2	BOLT,5	5*18		
16		A172-000130	1	COVER,FAN			
17		A161-000020	1	DUCT,AIR			
20		P021-002901	1	STARTER ASY			
21	+	900162-05014	1	BOLT, H.S. 5*14	5*14 W,SW		
22	+	900603-00005	1	WASHER 5	5.5*12*0.8		
23	+	177215-32330	1	DRUM, STARTER			
24	+	177226-07060	1	ROPE, STARTER	4.0*950		
25	+	177221-07060	1	PLATE, STARTER			
26	+	177228-30830	1	GRIP, STARTER			
27	+	177227-10630	1	GUIDE, ROPE			
28	+	900253-04008	1	SCREW 4*8	4*8		
29	+	433144-15130	1	PLATE,EYE			
30	+	177220-02834	1	SPRING, REWIND			
31	+	177221-02830	1	PLATE, STARTER			
32		900162-05020	4	BOLT, H.S. 5*20	5*20 W,SW		
33		X502-000460	1	LABEL,ECHO			
34		159010-10230	1	PLUG, SPARK (BPMR-7A	BPMR-7A		

3. Starter, Magneto



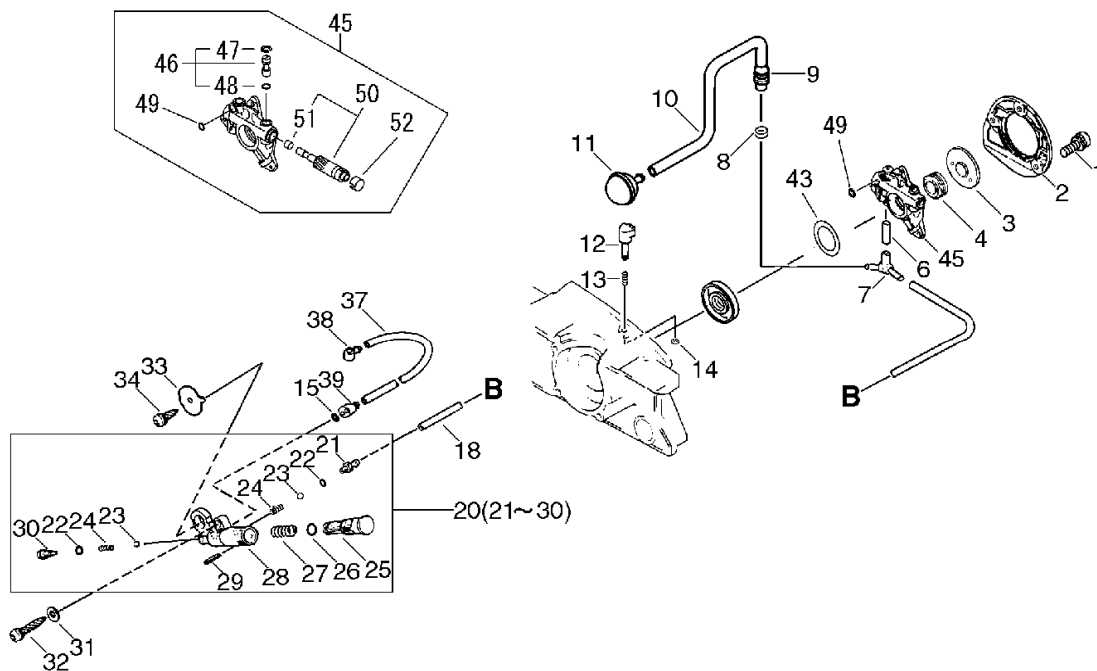
KEY	LV	PART NUMBER	Q'TY	DESCRIPTION	REMARKS	NOTE1	NOTE2
35		A426-000010	1	TERMINAL, SPARK PLUG			
36		A427-000013	1	CAP, SPARK PLUG			
37		156611-19830	1	TUBE			
38		156601-32632	1	COIL, IGNITION			
39		900242-04008	1	SCREW	4*8		
40		900162-04020	2	BOLT, H.S. 4*20	4*20 W, SW		

4. Manual-Oiler,Auto-Oiler



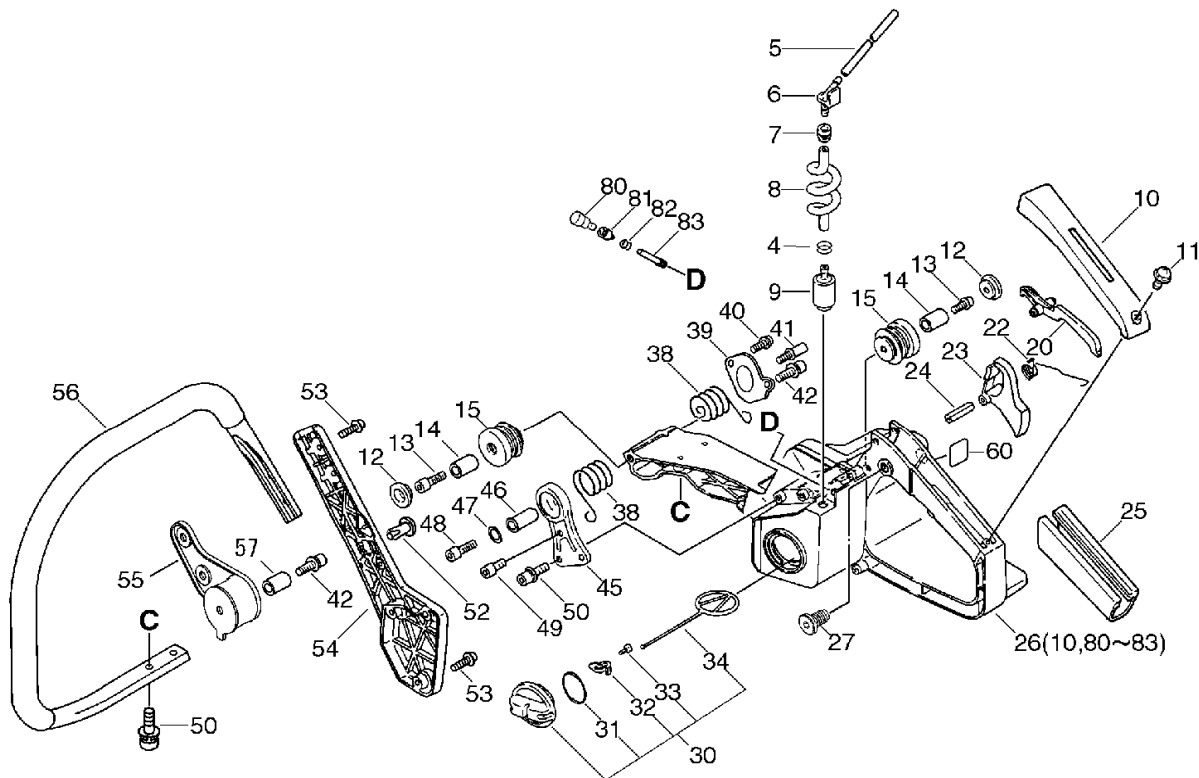
KEY	LV	PART NUMBER	Q'TY	DESCRIPTION	REMARKS	NOTE1	NOTE2
1		900162-04012	3	BOLT, H.S. 4*12	4*12 W,SW		
2		437605-32430	1	COVER, OIL PUMP			
3		V309-000040	1	WASHER,CIRCULAR 12	12*37.5*3.5		
4		437063-19930	1	WORM (P)			
6		437211-32430	1	PIPE			
7		437212-32430	1	CONNECTOR, OIL PIPE			
8		132013-26630	1	CLIP	6.5MM		
9		132115-12330	1	GROMMET			
10		437210-38330	1	PIPE, OIL			
11		436205-14730	1	STRAINER, OIL			
12		437039-37630	1	KNOB			
13		437015-19830	1	SPRING			
14		900700-00003	1	E-RING 3	CE-3		
15		900720-00003	1	O-RING P-3	P-3		
18		437210-15130	1	PIPE, OIL	3*6*200L		
20		437100-38832	1	OILER ASY, MANUAL			
21	+	437118-19830	1	NIPPLE			
22	+	437122-03430	2	O-RING			
23	+	437012-00330	2	VALVE, BALL			
24	+	V450-000290	2	SPRING,COMPRESSION			
25	+	437112-38731	1	PISTON, OIL PUMP			
26	+	900720-00007	1	O-RING 7	P-7		
27	+	437111-19830	1	SPRING			
28	+	437110-19831	1	BODY, OIL PUMP			
29	+	900345-20016	1	PIN, SPRING 2*16SUS	2*16SUS		
30	+	437121-10130	1	ADAPTER, OIL PUMP			

4. Manual-Oiler,Auto-Oiler



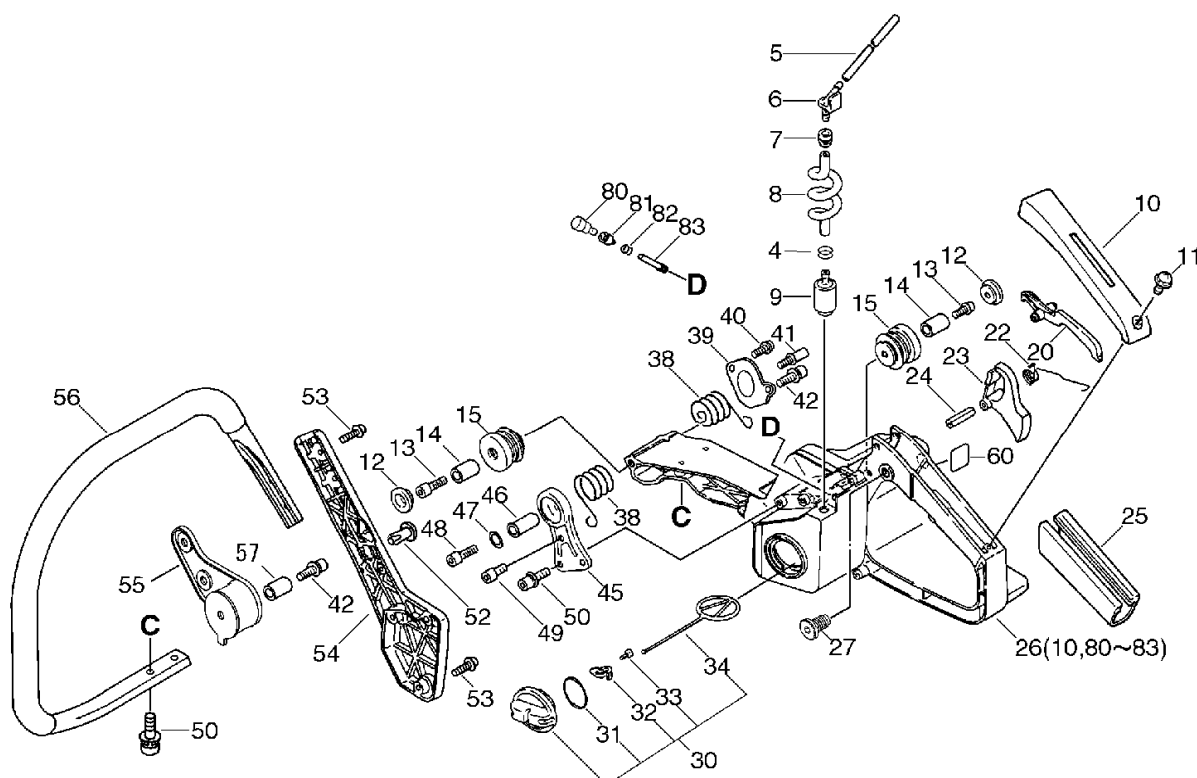
KEY	LV	PART NUMBER	Q'TY	DESCRIPTION	REMARKS	NOTE1	NOTE2
31		900603-00005	1	WASHER 5	5.5*12*0.8		
32		900252-05020	1	SCREW 5*20	5*20		
33		437413-19830	1	BARCKET, OIL PUMP			
34		900252-04010	1	SCREW 4*10	4*10		
37		437216-32630	1	PIPE, OUTLET			
38		437232-32630	1	CONNECTOR, OIL PIPE			
39		437212-32630	1	CONNECTOR, OIL PIPE			
43		V540-000210	1	SEAL,CIRCULAR			
45		437002-37530	1	AUTO-OILER ASSY			
46	+	437009-35430	1	PIN, CONTROL			
47	++	437065-19830	1	CLIP			
48	++	437030-19830	1	O-RING			
49	+	900720-00003	1	O-RING P-3	P-3		
50	+	437006-32330	1	PLUNGER KIT			
51	++	437020-32430	1	V-RING			
52	+	437062-19830	1	CAP, PLUNGER			

5. Handle



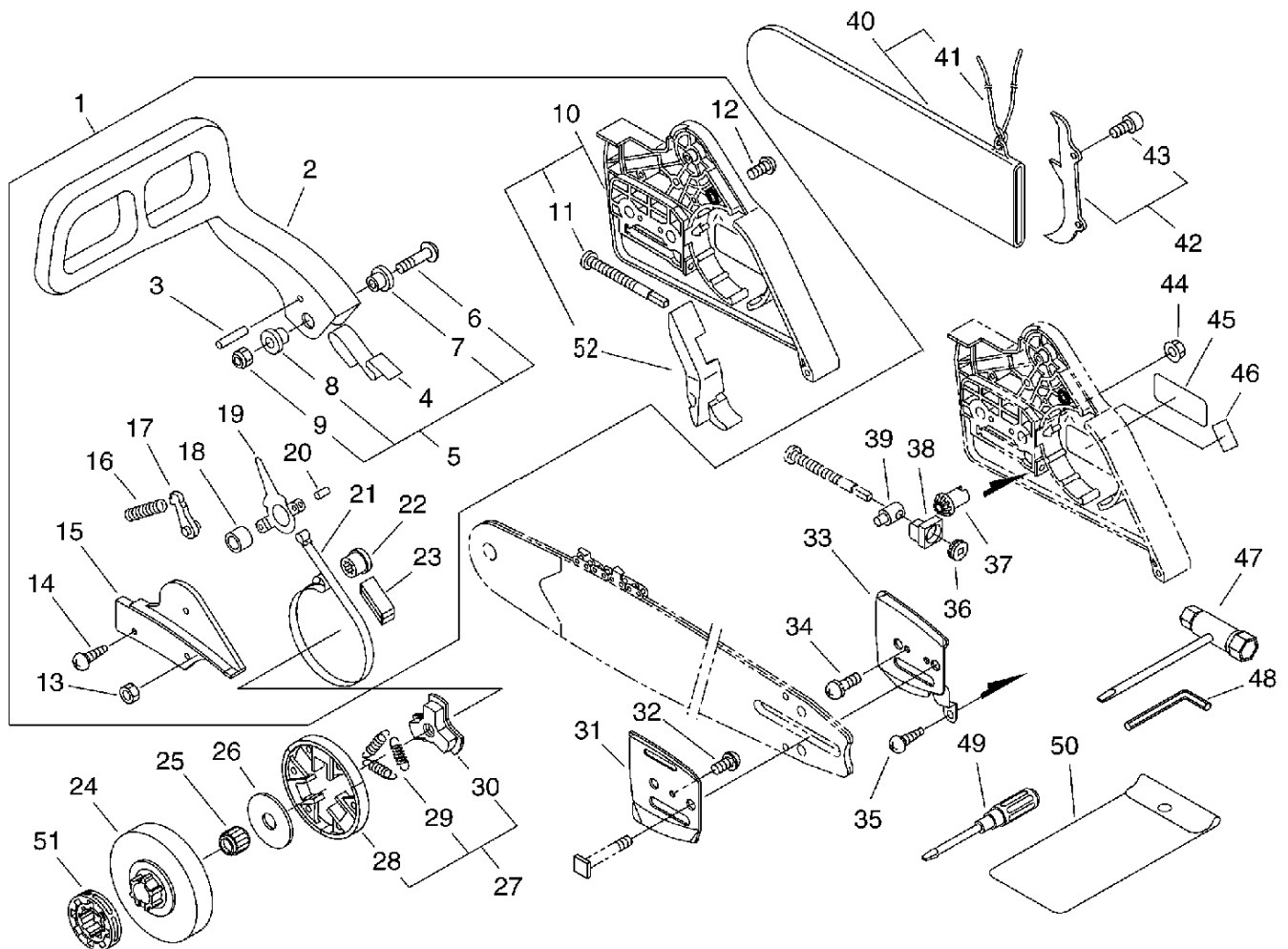
KEY	LV	PART NUMBER	Q'TY	DESCRIPTION	REMARKS	NOTE1	NOTE2
4		132013-26630	1	CLIP	6.5MM		
5		132010-56030	1	PIPE 3*6*110	3*6*110 NBR		
6		132011-19831	1	CONNECTOR, FUEL PIPE			
7		132115-01461	1	GROMMET			
8		132010-30830	1	PIPE			
9		131205-19831	1	STRAINER, FUEL			
11		900238-04014	1	SCREW 4*14	4*14		
12		100918-19830	2	CAP, CUSHION			
13		900105-05025	2	BOLT, H.S. 5*25	5*25		
14		V353-000110	2	COLLAR,5			
15		V420-000530	2	CUSHION			
20		178090-37930	1	LOCKOUT, T. CONTROL			
22		178043-19830	1	SPRING, THR. RETURN			
23		C450-000042	1	TRIGGER, THROTTLE			
24		900342-50025	1	PIN, SPRING 5*25	5*25		
25		351111-19830	1	GRIP, HANDLE			
26		351103-32433	1	HANDLE, REAR			
10	+	351155-35430	1	COVER, HANDLE (BL)			
80	+	131300-56430	1	VALVE, CHECK			
81	+	131328-40630	1	COVER, VENT			
82	+	130111-00530	1	CLIP	5.5		
83	+	131312-32430	1	PIPE, VENT			
27		V162-000040	1	PLUG			
30		131004-37631	1	CAP ASSY, FUEL TANK			
31	+	900720-20029	1	O-RING 29	P-29		
32	+	131050-19830	1	RETAINER, LINK			

5. Handle



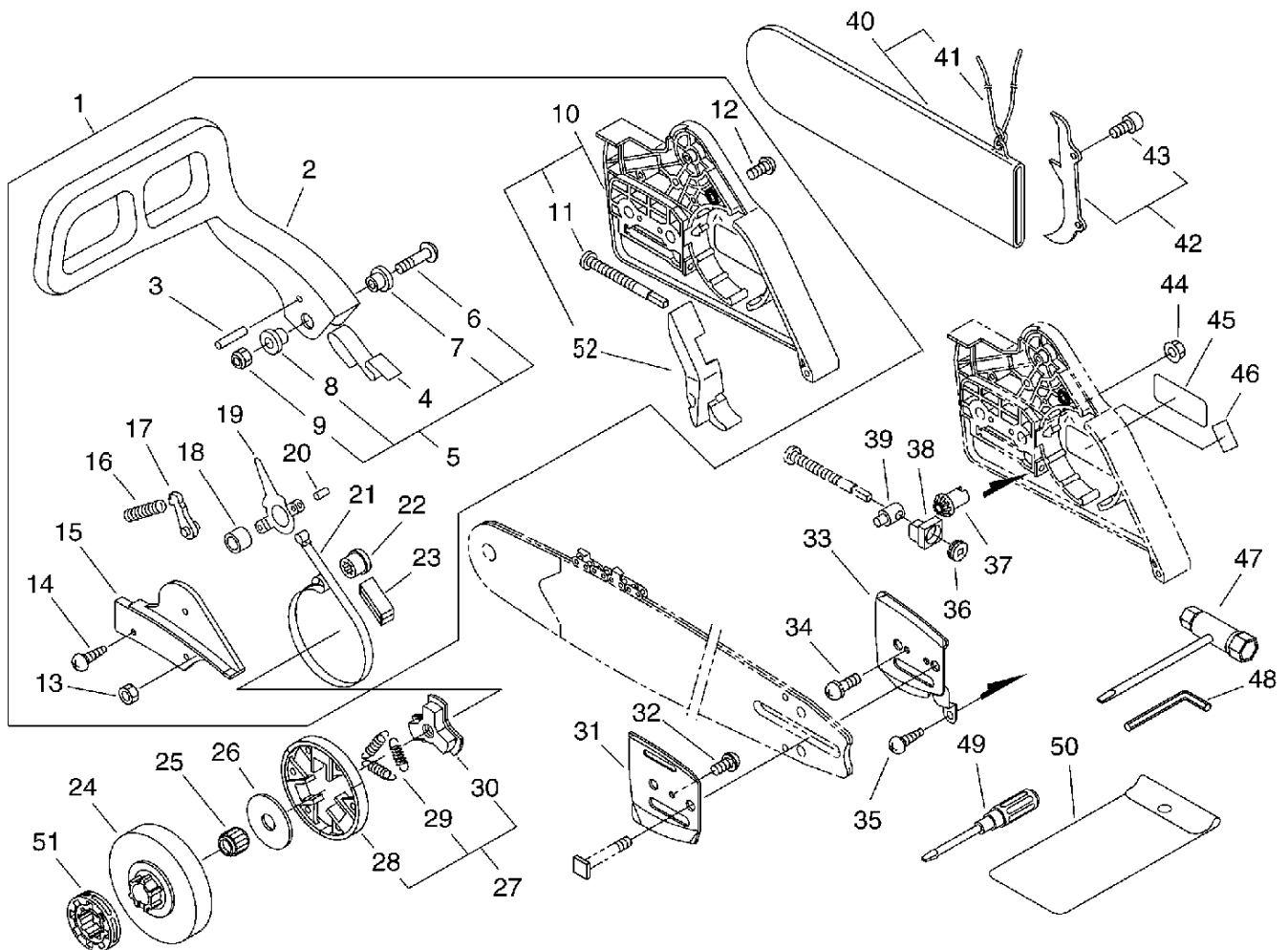
KEY	LV	PART NUMBER	Q'TY	DESCRIPTION	REMARKS	NOTE1	NOTE2
33	+	900246-03008	1	SCREW 3*8	3*8		
34	+	131051-19830	1	LINK	60L		
38		V450-000150	2	SPRING, COMPRESSION			
39		V150-000750	1	PLATE, EYE			
40		900162-04008	1	BOLT, H.S. 4*8	4*8 W, SW		
41		V203-000050	1	BOLT, 5			
42		900162-05020	1	BOLT, H.S. 5*20	5*20 W, SW		
45		V419-000010	1	BRACKET, CUSHION			
46		V353-000120	1	COLLAR, 5			
47		900630-00005	1	WASHER 5	5(ト)5.5*16*1T		
48		900105-05035	1	BOLT, H.S. 5*35	5*35		
49		900105-05008	1	BOLT, H.S. 5*8	5*8		
50		900162-05014	4	BOLT, H.S. 5*14	5*14 W, SW		
52		V649-000010	1	RIVET			
53		900238-05020	5	SCREW 5*20	5*20		
54		351616-38130	1	BRACKET, HANDLE			
55		V401-000170	1	CUSHION, 5			
56		C400-000100	1	HANDLE, FRONT			
57		V353-000281	1	COLLAR, 5	5.5*8*8.3		
60		890157-39130	1	LABEL, SWITCH			

6. Chain Brake Assy, Clutch, Sprocket, Tool



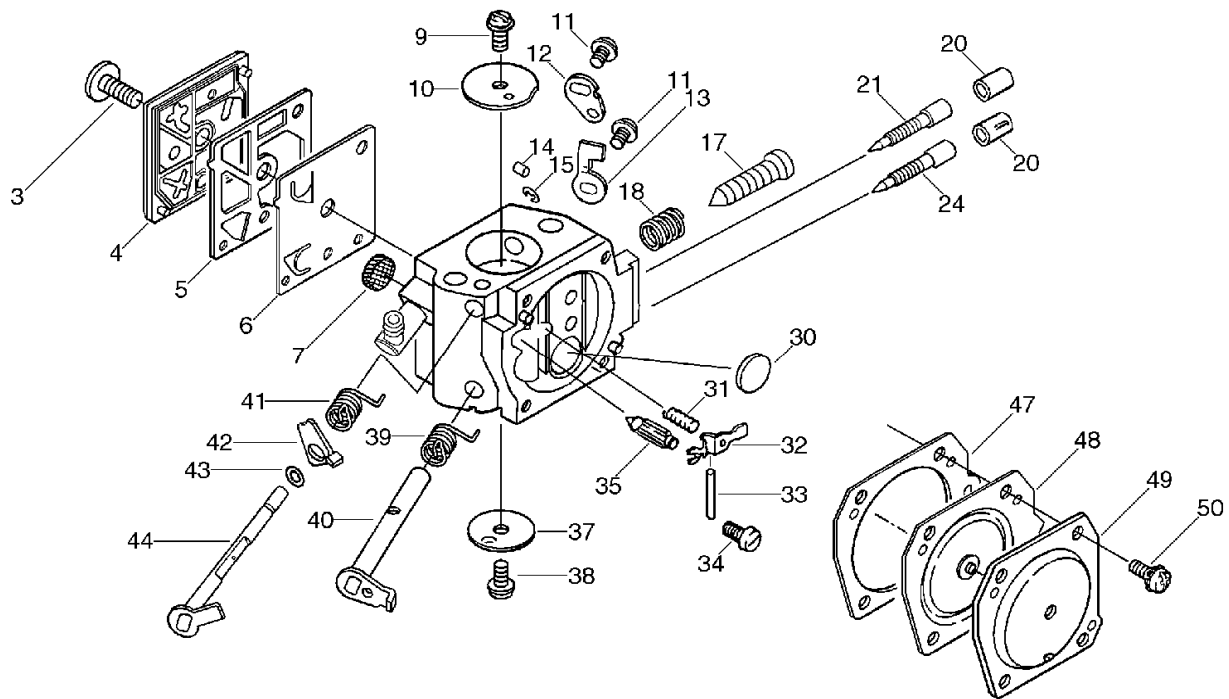
KEY	LV	PART NUMBER	Q'TY	DESCRIPTION	REMARKS	NOTE1	NOTE2
1		P021-010642	1	BRAKE,ASM CHAIN			
2	+	433105-38131	1	LEVER, BRAKE			
3	+	900330-35260	1	PIN 3.5*26	3.5*26		
4	+	433114-38131	1	SPRING			
5	+	433113-37539	1	SCREW KIT			
6	++	900209-05035	1	SCREW	5*35		
7	++	433167-39730	1	COLLAR 5			
8	++	433167-39130	1	SPACER			
9	++	900562-50005	1	LOCKNUT 5	5		
10	+	P021-002286	1	SPROCKET GUARD			
11	++	V203-000110	1	BOLT,5			
52	++	C302-000000	1	PAD, GUARD			
12	+	900220-03018	1	SCREW (+-SR 3*18)	3*18		
13	+	900500-00003	1	NUT 3	3		
14	+	900252-04012	2	SCREW 4*12	4*12		
15	+	433310-38130	1	COVER, BRAKE			
16	+	433122-38130	1	SPRING, BRAKE			
17	+	433209-35430	1	STOPPER, BRAKE			
18	+	433116-35430	1	SPACER 8	8*12*9		
19	+	433208-35431	1	LEVER, BRAKE			
20	+	900330-40088	1	ROLLER 4*8.8	4*8.8		
21	+	433123-38131	1	BAND, BRAKE			
22	+	433142-35430	1	ADJUSTER, BRAKE			
23	+	433312-32630	1	COVER, SEAL			
24		175105-32431	1	DRUM, CLUTCH			
25		175012-32430	1	BEARING, NEEDLE	12*18*12		

6. Chain Brake Assy, Clutch, Sprocket, Tool



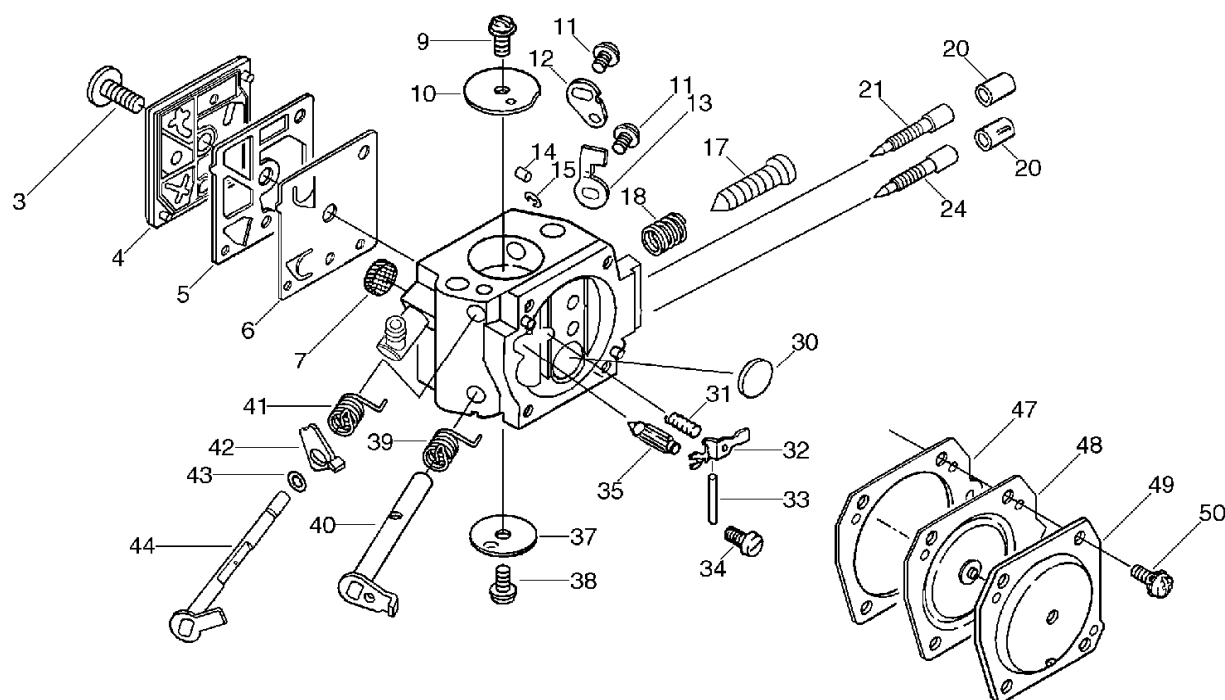
KEY	LV	PART NUMBER	Q'TY	DESCRIPTION	REMARKS	NOTE1	NOTE2
26		A551-000051	1	PLATE,CLUTCH			
27		A056-000050	1	CLUTCH			
28	+	P021-007790	1	SHOE,CLUTCH			
29	+	V451-000430	3	SPRING,TENSION			
30	+	A552-000040	1	HUB,CLUTCH			
31		433013-30830	1	PLATE, GUIDE (INNER)			
32		900241-04008	1	SCREW 4*8	4*8		
33		C305-000040	1	PLATE,SPROCKET GUARD			
34		900241-03006	2	SCREW 3*6	3*6		
35		900253-04010	1	SCREW 4*10	4*10		
36		V651-000011	1	GEAR,BEVEL			
37		V651-000001	1	GEAR,BEVEL			
38		V355-000270	1	COLLAR,8			
39		C309-000030	1	TENSIONER,CHAIN			
40		898548-14531	1	SCABBARD, CHAIN			
41	+	898568-14530	1	ROPE	5*900		
42		P021-002880	1	BUMPER,SPIKED			
43	+	900105-05012	2	BOLT, H.S. 5*12	5*12		
44		433019-12330	2	NUT, FLANGE 8	M-8		
45		X502-000560	1	LABEL,ECHO			
46		890155-30130	1	LABEL, CAUTION			
47		X602-000080	1	TOOL,WRENCH	13*19 L180		
48		895610-00130	1	L-WRENCH (4MM)			
49		895812-03930	1	DRIVER, SCREW 50			
50		898510-07130	1	BAG, TOOL			
51		175033-14731	1	SPROCKET, RIM 68210S			

7. Carburettor



KEY	LV	PART NUMBER	Q'TY	DESCRIPTION	REMARKS	NOTE1	NOTE2
		A021-001780	1	CARBURETOR,DIAPHRAGM	HDA-272		
3	+	123110-16130	1	SCREW, PUMP COVER			
4	+	123124-19830	1	COVER, FUEL PUMP			
5	+	123125-12330	1	GASKET, FUEL PUMP			
6	+	123112-12330	1	DIAPHRAGM, FUEL PUMP			
7	+	123126-10631	1	SCREEN, INLET			
9	+	123114-38830	1	SCREW			
10	+	123132-32430	1	VALVE, CHOKE			
11	+	123114-38830	2	SCREW			
12	+	P003-000590	1	LEVER, CHOKE			
13	+	123156-30830	1	STOP, THROTTLE			
14	+	123178-15030	1	PLUG, FRICTION			
15	+	123127-15030	1	RING			
17	+	123134-19730	1	SCREW, IDLE ADJUST			
18	+	P003-000540	1	SPRING, IDLE ADJUST			
20	+	P003-000010	2	LIMITER CAP			
21	+	P003-002310	1	NEEDLE, HIGH SPEED			
24	+	123118-02261	1	NEEDLE			
30	+	123146-10631	1	PLUG, WELCH			
31	+	123122-32630	1	SPRING, METER. LEVER			
32	+	123123-18330	1	LEVER, METERING			
33	+	123138-03930	1	PIN, METERING LEVER			
34	+	123139-03930	1	SCREW, M. LEVER PIN			
35	+	123137-19830	1	VALVE, INLET NEEDLE			
37	+	123132-16130	1	VALVE, CHOKE			
38	+	123114-05260	1	SCREW			

7. Carburettor



KEY	LV	PART NUMBER	Q'TY	DESCRIPTION	REMARKS	NOTE1	NOTE2
39	+	P003-000560	1	SPRING, THRT. RETURN			
40	+	P003-000550	1	SHAFT, THROTTLE			
41	+	P003-000610	1	SPRING			
42	+	P003-000620	1	LEVER-FAST IDLE			
43	+	123149-26030	1	WASHER			
44	+	P003-000600	1	SHAFT, CHOKE			
47	+	123140-18331	1	GASKET, M. DIAPHRAGM			
48	+	123141-16131	1	DIAPHRAGM, METERING			
49	+	123142-17330	1	COVER, M. DIAPHRAGM			
50	+	123130-02960	4	SCREW			

Index

Patrs Number	Key No.	Patrs Number	Key No.	Patrs Number	Key No.
100012-32430	1 - 14	131328-40630	5 - 81	433144-15130	3 - 29
100014-18430	1 - 40	132010-30830	5 - 8	433167-39130	6 - 8
100142-30830	1 - 33	132010-56030	5 - 5	433167-39730	6 - 7
100143-19830	3 - 7	132011-19831	5 - 6	433208-35431	6 - 19
100204-32435	1 - 20	132013-26630	4 - 8	433209-35430	6 - 17
100212-19830	1 - 27	132013-26630	5 - 4	433310-38130	6 - 15
100212-32430	1 - 21	132115-01461	5 - 7	433312-32630	6 - 23
100215-02830	1 - 23	132115-12330	4 - 9	436001-37933	1 - 42
100242-32430	1 - 25	145510-32431	2 - 45	436114-13930	1 - 28
100918-19830	5 - 12	145711-32430	2 - 49	436205-14730	4 - 11
101010-32431	1 - 7	145813-31730	2 - 50	437002-37530	4 - 45
101578-37531	1 - 50	145861-32430	2 - 54	437006-32330	4 - 50
123110-16130	7 - 3	156601-32632	3 - 38	437009-35430	4 - 46
123112-12330	7 - 6	156611-19830	3 - 37	437012-00330	4 - 23
123114-05260	7 - 38	156635-32430	2 - 32	437015-19830	4 - 13
123114-38830	7 - 9	156800-32631	3 - 5	437020-32430	4 - 51
123114-38830	7 - 11	159010-10230	3 - 34	437030-19830	4 - 48
123118-02261	7 - 24	162021-32431	2 - 33	437039-37630	4 - 12
123122-32630	7 - 31	163400-32430	2 - 29	437062-19830	4 - 52
123123-18330	7 - 32	175012-32430	6 - 25	437063-19930	4 - 4
123124-19830	7 - 4	175033-14731	6 - 51	437065-19830	4 - 47
123125-12330	7 - 5	175105-32431	6 - 24	437100-38832	4 - 20
123126-10631	7 - 7	177215-32330	3 - 23	437110-19831	4 - 28
123127-15030	7 - 15	177218-32631	3 - 12	437111-19830	4 - 27
123130-02960	7 - 50	177220-02834	3 - 30	437112-38731	4 - 25
123132-16130	7 - 37	177221-02830	3 - 31	437118-19830	4 - 21
123132-32430	7 - 10	177221-07060	3 - 25	437121-10130	4 - 30
123134-19730	7 - 17	177226-07060	3 - 24	437122-03430	4 - 22
123137-19830	7 - 35	177227-10630	3 - 27	437210-15130	4 - 18
123138-03930	7 - 33	177228-30830	3 - 26	437210-38330	4 - 10
123139-03930	7 - 34	177234-19832	3 - 9	437211-32430	4 - 6
123140-18331	7 - 47	178043-19830	5 - 22	437212-32430	4 - 7
123141-16131	7 - 48	178090-37930	5 - 20	437212-32630	4 - 39
123142-17330	7 - 49	178114-32630	2 - 27	437216-32630	4 - 37
123146-10631	7 - 30	178810-33331	2 - 26	437232-32630	4 - 38
123149-26030	7 - 43	351103-32433	5 - 26	437413-19830	4 - 33
123156-30830	7 - 13	351111-19830	5 - 25	437605-32430	4 - 2
123178-15030	7 - 14	351155-35430	5 - 10	890155-30130	6 - 46
130110-19830	2 - 18	351616-38130	5 - 54	890157-19830	2 - 30
130111-00530	5 - 82	433011-19830	1 - 24	890157-39130	5 - 60
130338-32430	2 - 7	433013-30830	6 - 31	890345-39230	1 - 52
131004-37631	5 - 30	433019-12330	6 - 44	895610-00130	6 - 48
131050-19830	1 - 44	433105-38131	6 - 2	895812-03930	6 - 49
131050-19830	5 - 32	433113-37539	6 - 5	898510-07130	6 - 50
131051-19830	1 - 46	433114-38131	6 - 4	898548-14531	6 - 40
131051-19830	5 - 34	433116-35430	6 - 18	898568-14530	6 - 41
131205-19831	5 - 9	433122-38130	6 - 16	900105-05008	5 - 49
131300-56430	5 - 80	433123-38131	6 - 21	900105-05012	6 - 43
131312-32430	5 - 83	433142-35430	6 - 22	900105-05025	5 - 13

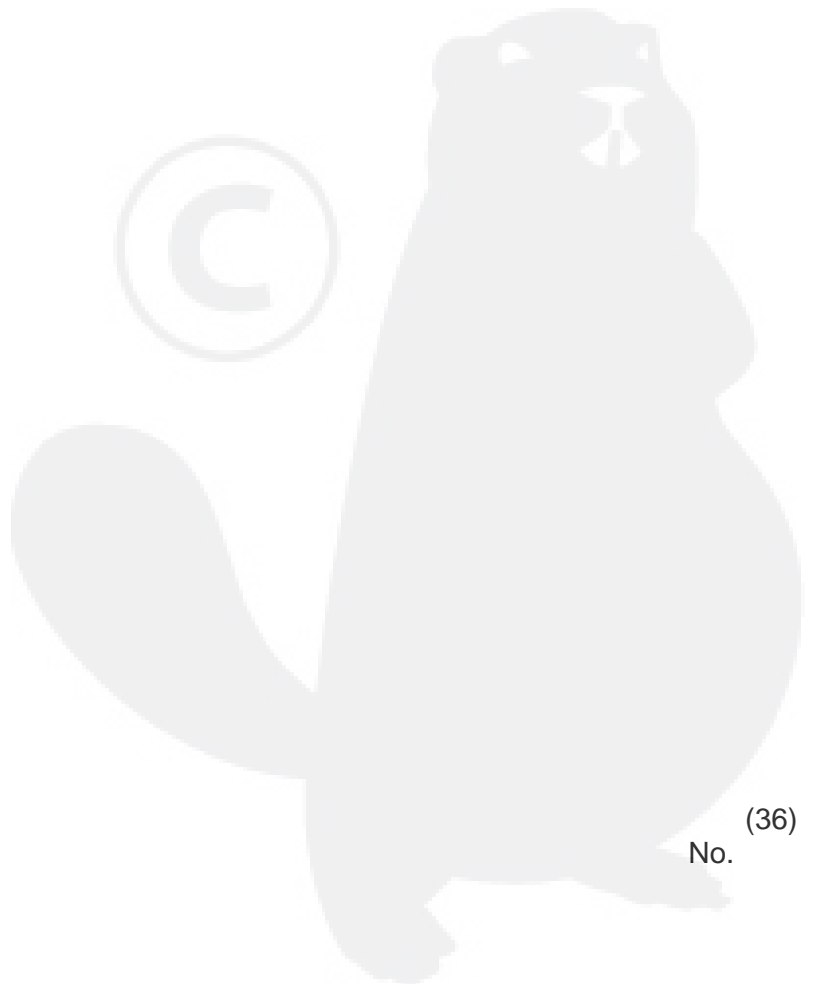
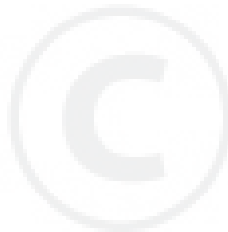
Index

Patrs Number	Key No.	Patrs Number	Key No.	Patrs Number	Key No.
900105-05035	5 - 48	900700-00003	4 - 14	P021-002880	1 - 17
900162-04008	5 - 40	900720-00003	4 - 15	P021-002880	6 - 42
900162-04010	2 - 55	900720-00003	4 - 49	P021-002901	3 - 20
900162-04012	4 - 1	900720-00007	4 - 26	P021-007790	6 - 28
900162-04020	3 - 40	900720-20029	5 - 31	P021-010642	6 - 1
900162-05014	1 - 9	900725-02025	1 - 43	P021-015290	1 - 10
900162-05014	2 - 48	900810-36202	1 - 26	V104-000920	2 - 44
900162-05014	3 - 21	91107-05050	2 - 14	V131-000010	2 - 19
900162-05014	5 - 50	A011-000250	1 - 32	V150-000570	1 - 29
900162-05020	1 - 38	A014-000010	1 - 4	V150-000750	5 - 39
900162-05020	1 - 47	A021-001780	2 - 20	V162-000040	5 - 27
900162-05020	2 - 37	A021-001780	7 -	V203-000050	5 - 41
900162-05020	2 - 47	A056-000050	6 - 27	V203-000110	6 - 11
900162-05020	3 - 32	A101-000150	1 - 11	V203-000150	3 - 14
900162-05020	5 - 42	A130-000241	1 - 5	V309-000040	4 - 3
900162-05025	1 - 6	A160-000331	1 - 49	V341-000010	1 - 48
900162-05035	1 - 37	A161-000020	3 - 17	V353-000110	5 - 14
900209-05035	6 - 6	A171-000060	3 - 6	V353-000120	5 - 46
900220-03018	6 - 12	A172-000130	3 - 16	V353-000192	3 - 10
900220-05018	1 - 18	A202-000011	1 - 8	V353-000281	5 - 57
900238-04014	5 - 11	A204-000020	2 - 13	V355-000270	6 - 38
900238-05014	1 - 36	A220-000012	2 - 35	V401-000060	1 - 35
900238-05020	5 - 53	A226-000070	2 - 12	V401-000170	5 - 55
900241-03006	6 - 34	A232-000350	2 - 3	V419-000010	5 - 45
900241-04008	6 - 32	A235-000050	2 - 8	V420-000320	2 - 39
900242-04008	1 - 30	A238-000030	2 - 11	V420-000530	5 - 15
900242-04008	3 - 39	A241-000030	2 - 25	V420-000540	2 - 36
900246-03008	1 - 45	A300-000781	2 - 46	V450-000150	5 - 38
900246-03008	5 - 33	A426-000010	3 - 35	V450-000290	4 - 24
900252-04010	4 - 34	A427-000013	3 - 36	V451-000190	2 - 9
900252-04012	6 - 14	A551-000051	6 - 26	V451-000430	6 - 29
900252-05020	4 - 32	A552-000040	6 - 30	V453-000040	2 - 5
900253-04008	3 - 28	C302-000000	6 - 52	V540-000210	4 - 43
900253-04010	2 - 6	C305-000040	6 - 33	V580-000000	1 - 13
900253-04010	6 - 35	C309-000030	6 - 39	V610-000000	1 - 12
900330-30120	2 - 10	C400-000100	5 - 56	V649-000010	5 - 52
900330-35260	6 - 3	C450-000042	5 - 23	V651-000001	6 - 37
900330-40088	6 - 20	C454-000181	2 - 28	V651-000011	6 - 36
900342-50025	1 - 22	P003-000010	7 - 20	X502-000460	3 - 33
900342-50025	5 - 24	P003-000540	7 - 18	X502-000560	6 - 45
900345-20016	4 - 29	P003-000550	7 - 40	X503-009500	2 - 2
900500-00003	6 - 13	P003-000560	7 - 39	X505-000000	1 - 51
900500-00008	3 - 8	P003-000590	7 - 12	X505-000180	1 - 53
900562-50005	6 - 9	P003-000600	7 - 44	X602-000080	6 - 47
900600-00005	1 - 19	P003-000610	7 - 41		
900603-00005	3 - 13	P003-000620	7 - 42		
900603-00005	3 - 22	P003-002310	7 - 21		
900603-00005	4 - 31	P021-002286	6 - 10		
900630-00005	5 - 47	P021-002800	2 - 38		

YAMABIKO CORPORATION

7-2 SUEHIROCHO 1-CHOME, OHME, TOKYO 198-8760, JAPAN
PHONE: 81-428-32-6118. FAX: 81-428-32-6145.

ECHO[®]



(36)
No.