

# CS-280TES

Serial Number

38000001-38999999

Last updated date

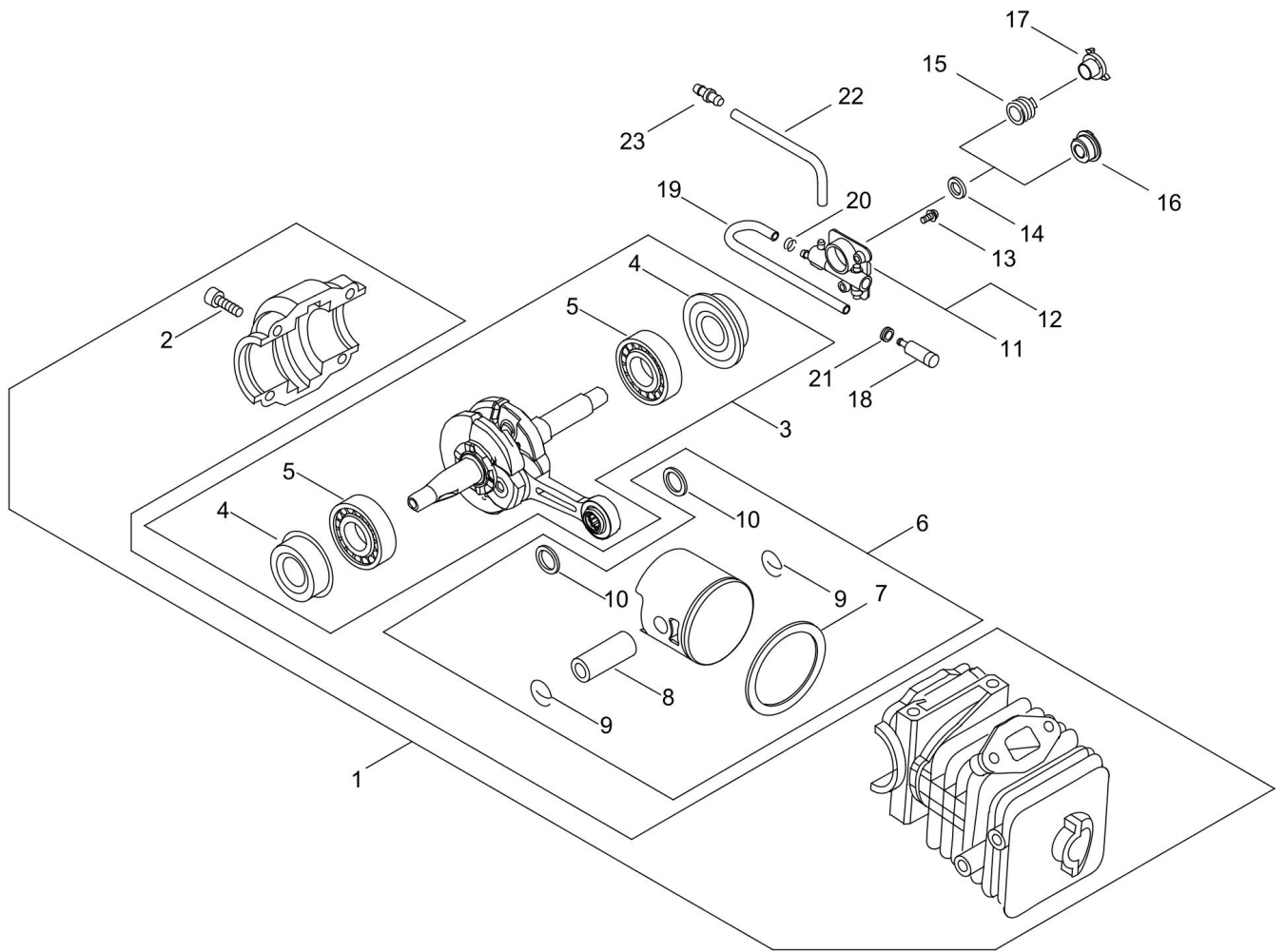
27/Nov/2020

## TABLE OF CONTENTS

---

CYLINDER, PISTON, CRANKSHAFT .....	1
ENGINE COVER.....	3
MAGNETO.....	5
AIR CLEANER, CARBURETOR.....	7
CARBURETOR.....	9
MUFFLER.....	11
RECOIL STARTER.....	13
HANDLE.....	15
CHAIN BRAKE.....	17
ACCESSORIES .....	19
OILER.....	21
GUIDE BAR, CHAIN.....	23

# CYLINDER, PISTON, CRANKSHAFT



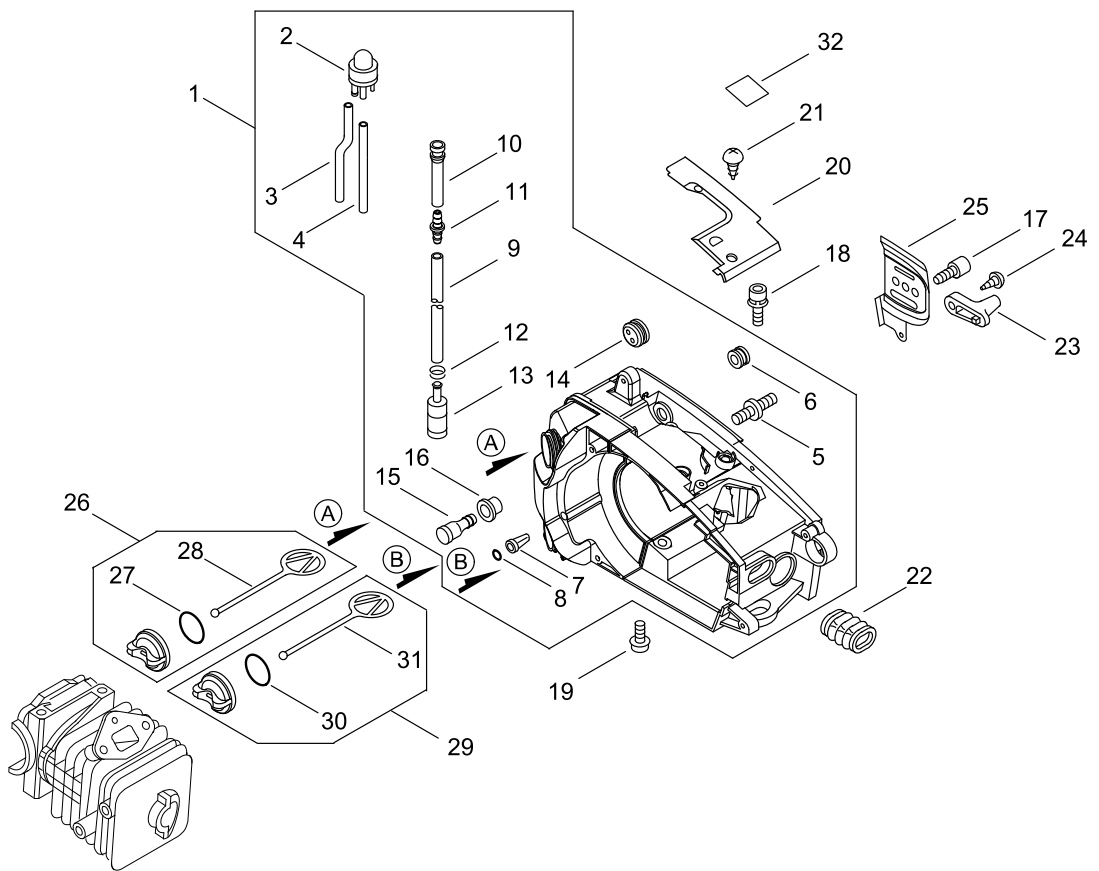
## CYLINDER, PISTON, CRANKSHAFT

Key No.	LV (+)	Parts Number	Parts Description	Qty	Standard	Class
1		P021-044050	CYLINDER KIT	1	CS-271T	
2	+	900162-05022	BOLT, H.S. 5*22	4	5*22 W,SW	
3		P021-038072	CRANKSHAFT ASY	1		
4	+	V505-000001	SEAL,OIL	2	12*28*6.5	C
5	+	900800-36001	BEARING, BALL 6001	2	6001/C3	
6		P021-044060	PISTON KIT	1	CS-271T	
7	+	A101-000630	RING, PISTON	1		B
8	+	100013-22330	PIN, PISTON	1		D
9	+	100015-04630	CIRCLIP, PISTON PIN	2		C
10	+	100014-11520	SPACER, PISTON PIN	2		C
11		C022-000020	AUTO-OILER ASSEMBLY	1	OP-7	C
12		C022-000180	AUTO-OILER ASSEMBLY	1	OP-25 METAL GEAR	C
13		900238-04012	SCREW 4*12	2	4*12	
14		V308-000030	WASHER,CIRCULAR 11	1	10.5*17.4*1.8	C
15		V652-000030	GEAR,WORM	1		B
16		V652-000230	GEAR,WORM	1		B
17		V356-000290	COLLAR,10	1		C
18		P100-001900	STRAINER, OIL	1		
19		132010-22131	PIPE	1	3*6*150	C
20		V490-001230	CLIP	1		C
21		132115-01462	GROMMET	1		C
22		132012-11961	PIPE	1	3*6*45	C
23		V187-000010	NIPPLE	1		C

Class : Consumable class

A:Fast moving parts B:Semi-fast moving parts C:Slow moving parts D:Order only as needed

# ENGINE COVER



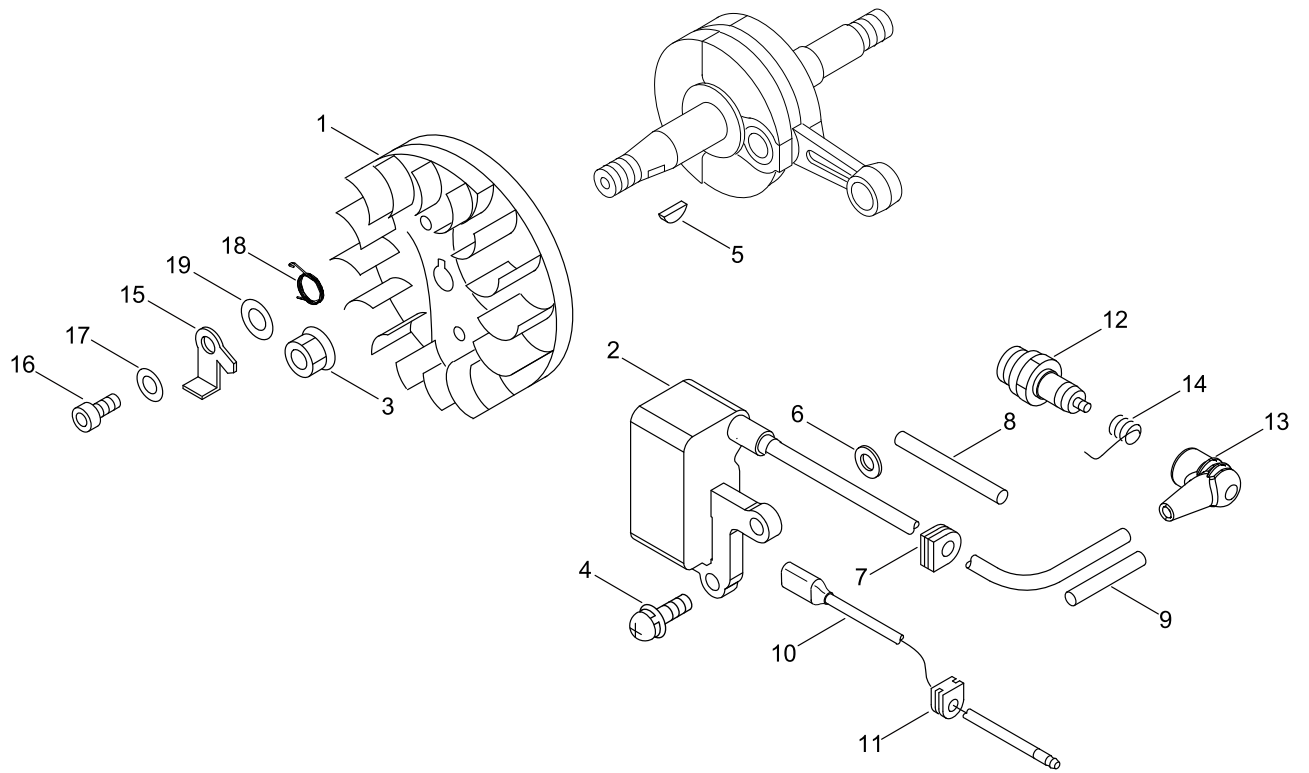
## ENGINE COVER

Key No.	LV (+)	Parts Number	Parts Description	Qty	Standard	Class
1		P100-007040	COVER ENGINE ASY	1		
2	+	123181-39130	PUMP, PRIMER	1		A
3	+	V471-001252	PIPE	1	2.4*5*258	C
4	+	V471-001262	PIPE	1	2.4*5*153	C
5	+	V225-000370	BOLT,STUD 8	1	M8	C
6	+	163911-30130	PLUG	1		B
7	+	436114-13930	VALVE, CHECK	1		B
8	+	900724-00004	O-RING	1	S-4	
9	+	V471-001231	PIPE	1	3*5*210	C
10	+	V470-000322	PIPE	1	10*6*L32	C
11	+	V186-000510	JOINT,PIPE	1		C
12	+	V490-001240	CLIP	1		C
13	+	A369-000420	STRAINER, FUEL	1	ES-16499	A
14	+	132115-44331	GROMMET, FUEL	1		C
15	+	131300-56431	VENT ASSEMBLY, FUEL	1		B
16	+	V137-000001	GROMMET,FUEL	1		C
17		V202-000011	BOLT,4	2	4*12	C
18		900162-05018	BOLT HSH	2	5*18	
19		900106-05025	BOLT HSH, FLANGE	2	5*25	
20		A127-000021	COVER,DUST	1		C
21		900253-04012	SCREW, TAPPING	2	4*12	
22		A239-000000	PIPE,INTAKE	1		C
23		433026-35430	CATCHER, CHAIN	1		B
24		900253-05020	SCREW, TAPPING	1	5*20	
25		C305-000023	PLATE,SPROCKET GUARD	1		C
26		P021-005591	CAP ASY	1		
27	+	900720-00018	O-RING	1	P-18	
28	+	A365-000050	CONNECTOR,CAP	1		B
29		P021-005581	CAP ASY	1		Z
30	+	900720-00018	O-RING	1	P-18	
31	+	A365-000050	CONNECTOR,CAP	1		B
32		X505-002441	LABEL,CAUTION	1		D

Class : Consumable class

A:Fast moving parts B:Semi-fast moving parts C:Slow moving parts D:Order only as needed

# MAGNETO



## MAGNETO

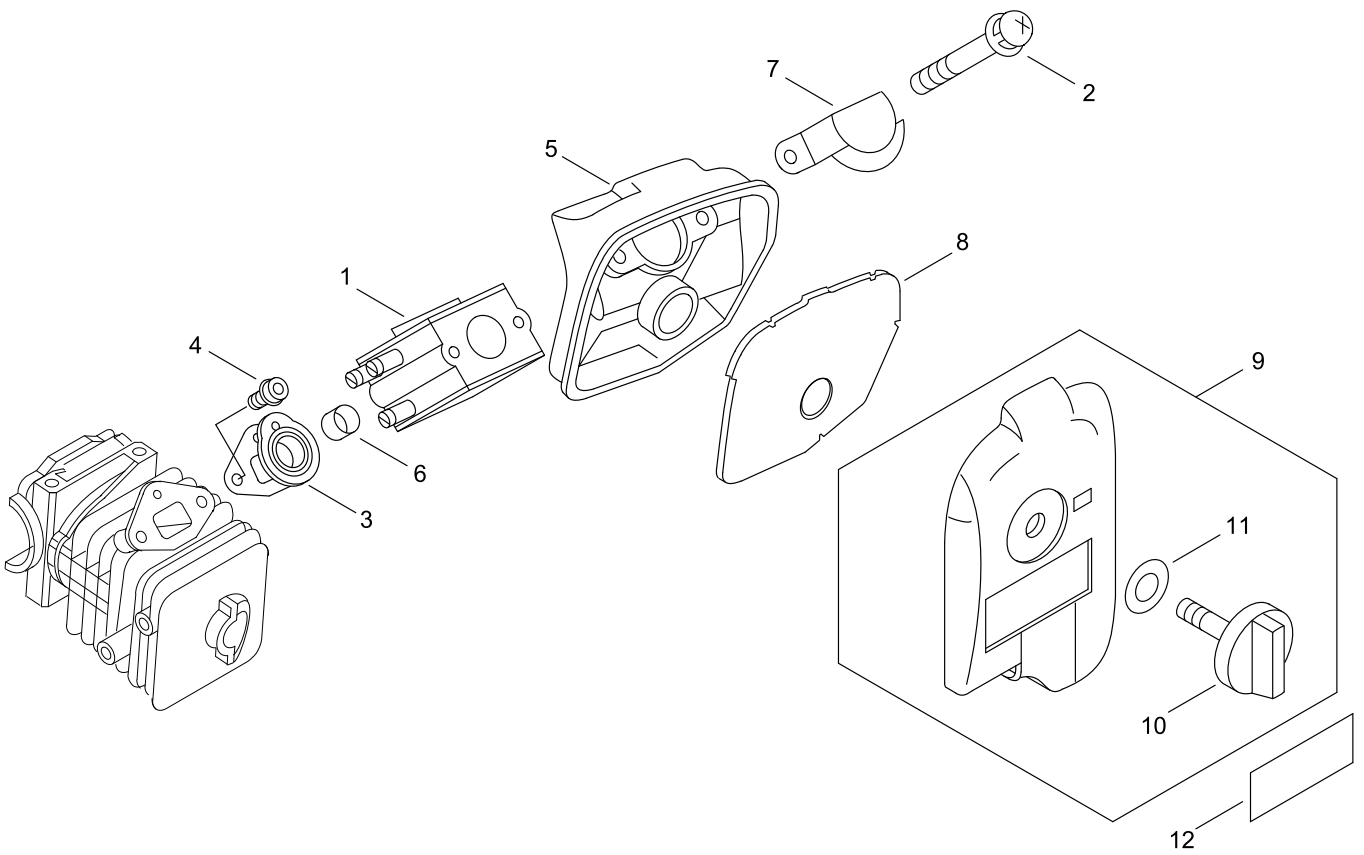
Key No.	LV (+)	Parts Number	Parts Description	Qty	Standard	Class
1		A409-001130	ROTOR, MAGNETO	1		C
2		A411-001511	COIL, IGNITION	1	OPPAMA ID#A10053	C
3		900515-00008	NUT, FLANGE 8	1	8	
4		900238-05018	SCREW 5*18	2	5*18	
5		100142-12330	KEY, WOODRUFF	1		C
6		150117-16430	SPACER	2		C
7		156110-04920	BUSHING	1		C
8		V475-001900	TUBE	1	7*8.6*30	C
9		V475-003550	TUBE	1	HST-10 7*8.6*50	C
10		V485-000140	LEAD	1		C
11		156114-07320	GROMMET	1		C
12		A425-000000	SPARKPLUG	1	BPMR8Y	A
13		A427-000013	CAP, SPARK PLUG	1		C
14		A426-000010	TERMINAL, SPARKPLUG	1		C
15		A514-000020	PAWL	2		C
16		V203-000080	BOLT, 5	2	5*14	C
17		900603-00005	WASHER 5	2	5.5*12*0.8	
18		V452-000030	SPRING, TORSION	2		B
19		177247-04630	SPACER, RATCHET	2	5.2*8*2.1	C

Class : Consumable class

A:Fast moving parts B:Semi-fast moving parts C:Slow moving parts D:Order only as needed



# AIR CLEANER, CARBURETOR



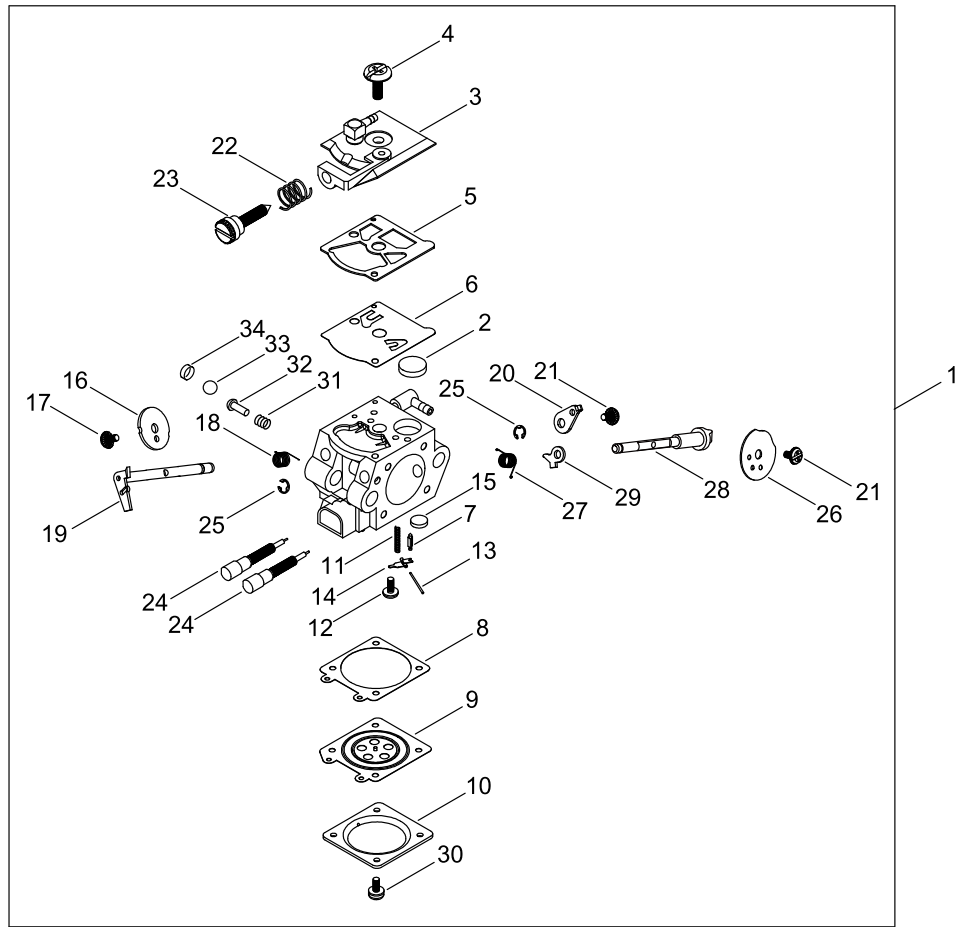
## AIR CLEANER, CARBURETOR

Key No.	LV (+)	Parts Number	Parts Description	Qty	Standard	Class
1		A021-004191	CARBURETOR,DIAPHRAGM	1	WT-1085	B
2		900238-05050	SCREW 5*50	2	5*50	
3		A202-000001	BELLOWS,INTAKE	1		C
4		900162-04012	BOLT, H.S. 4*12	2	4*12 W,SW	
5		A225-000025	CASE,CLEANER	1		C
6		V358-000021	COLLAR,14	1		C
7		A244-000000	PLATE,PREVENT	1		C
8		A226-000051	ELEMENT,AIR FILTER	1		A
9		P100-002770	CLEANER COVER ASY	1		
10	+	A235-000040	KNOB,CLEANER LID	1		C
11	+	131925-02310	WASHER,CIRCULAR 8	1		C
12		X503-012600	LABEL,MODEL	1	CS-280TES	D

Class : Consumable class

A:Fast moving parts B:Semi-fast moving parts C:Slow moving parts D:Order only as needed

# CARBURETOR



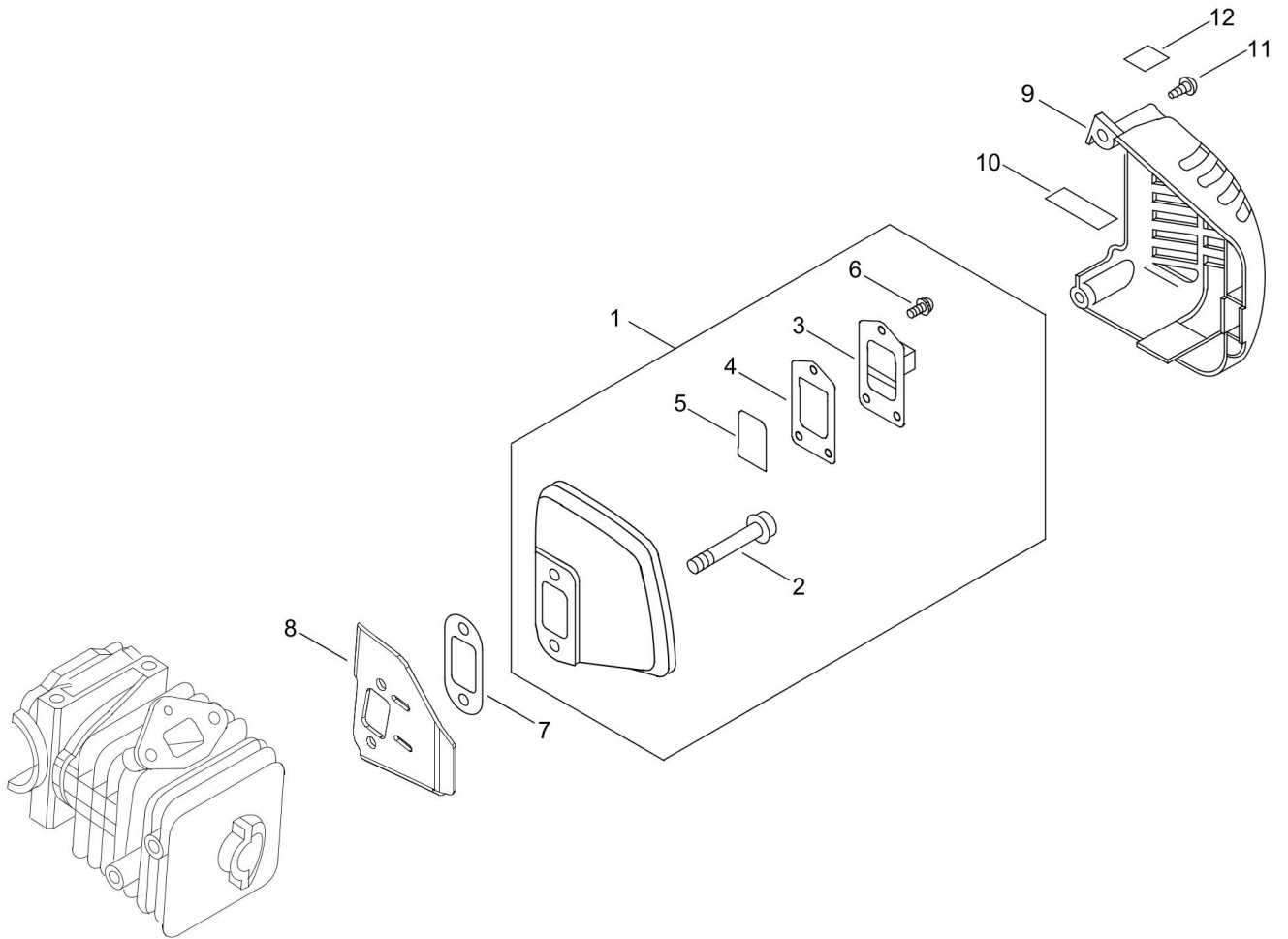
## CARBURETOR

Key No.	LV (+)	Parts Number	Parts Description	Qty	Standard	Class
1		A021-004191	CARBURETOR,DIAPHRAGM	1	WT-1085	B
2	+	123126-10631	SCREEN, INLET	1		
3	+	123124-24430	COVER, FUEL PUMP	1		
4	+	123110-03930	SCREW, PUMP COVER	1		
5	+	123125-15030	GASKET, FUEL PUMP	1		
6	+	123112-15030	DIAPHRAGM, FUEL PUMP	1		
7	+	123137-19830	VALVE, INLET NEEDLE	1		
8	+	123140-03930	GASKET, M. DIAPHRAGM	1		
9	+	P003-001850	DIAPHRAGM, METERING	1		
10	+	123142-03930	COVER, M. DIAPHRAGM	1		
11	+	123122-03660	SPRING, METER. LEVER	1		
12	+	123139-03930	SCREW, M. LEVER PIN	1		
13	+	123138-03930	PIN, METERING LEVER	1		
14	+	123123-03930	LEVER, METERING	1		
15	+	123146-10630	PLUG, WELCH	1		
16	+	123116-05960	VALVE, THROTTLE	1		
17	+	P003-002380	SCREW	1		
18	+	123113-37530	SPRING, THROTTLE RTN	1		B
19	+	P003-005350	SHAFT ASSY, THROTTLE	1		
20	+	P003-000380	THROTTLE, LEVER	1		
21	+	123114-38830	SCREW	2		
22	+	123133-04260	SPRING, IDLE ADJUST	1		
23	+	123134-04260	SCREW, IDLE ADJUST	1		
24	+	P003-004190	NEEDLE	2		D
25	+	123127-15030	RING	2		
26	+	P003-000410	VALVE CHOKE	1		
27	+	P003-004780	SPRING	1		
28	+	P003-004790	SHAFT-CHOKE(MOLD)	1		
29	+	P003-001510	LEVER-FAST IDLE	1		
30	+	123130-02960	SCREW	4		
31	+	123186-09660	SPRING, START VALVE	1		
32	+	123185-09660	PISTON ASSY	1		
33	+	123136-09660	BALL	1		
34	+	P003-005090	PLUG CUP	1		

Class : Consumable class

A:Fast moving parts B:Semi-fast moving parts C:Slow moving parts D:Order only as needed

# MUFFLER



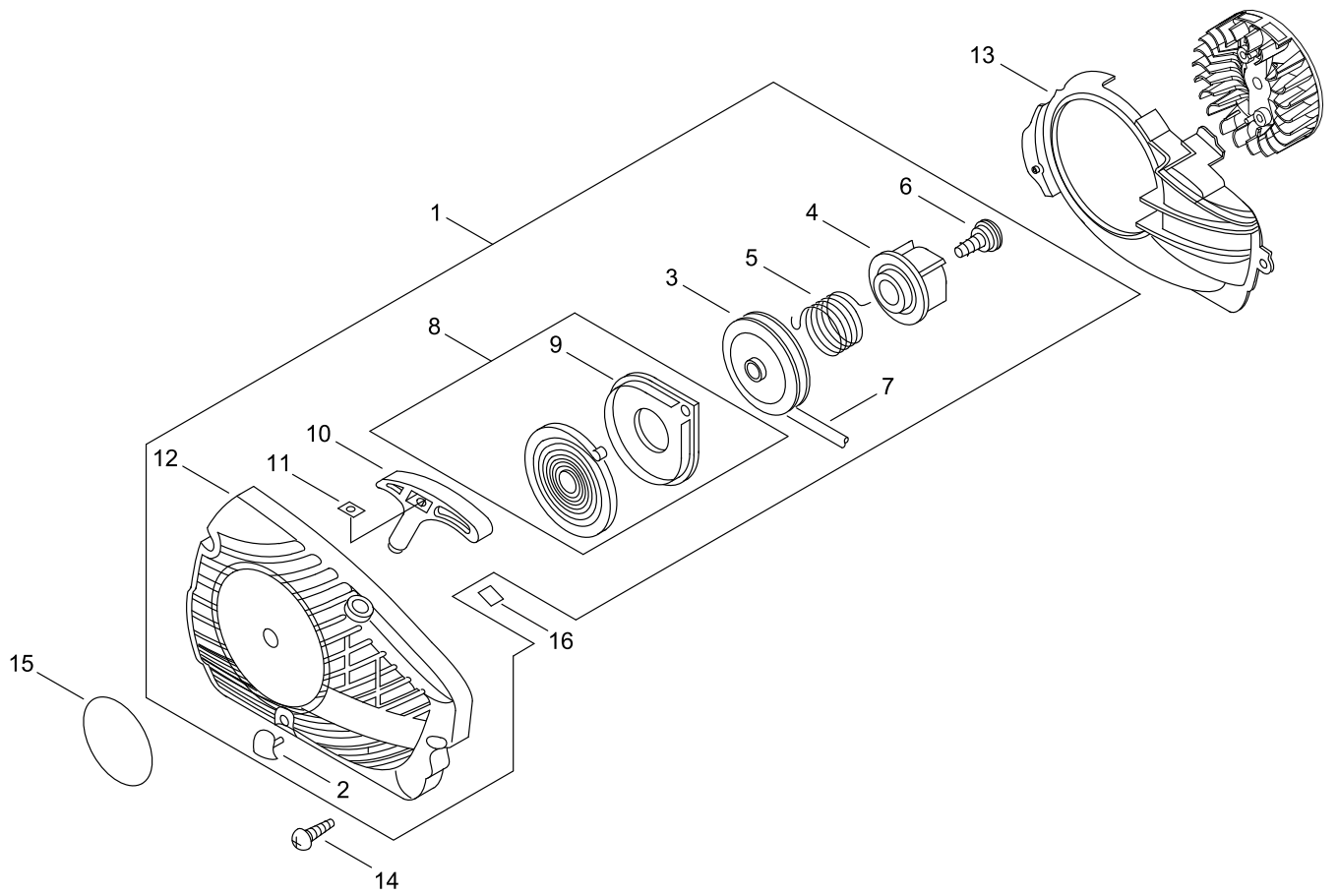
## MUFFLER

Key No.	LV (+)	Parts Number	Parts Description	Qty	Standard	Class
1		P100-002800	MUFFLER ASY	1		
2	+	91107-05045	BOLT HSH FLANGE	2	M5*45	
3	+	A313-001970	GUIDE, EXHAUST	1	T0.6	C
4	+	V104-001850	GASKET,EXHAUST	1		A
5	+	A310-000420	SCREEN, ARRESTOR	1		B
6	+	900242-04008	SCREW	3	4*8	
7		V104-001860	GASKET,EXHAUST	1		A
8		A312-000060	PLATE, EXHUST	1		C
9		A320-001030	COVER,MUFFLER	1		C
10		V341-000180	WASHER,SQUARE	1	54*14 T0.15	C
11		900253-04016	SCREW 4*16	2	4*16	
12		X505-007710	LABEL,CAUTION	1		D

Class : Consumable class

A:Fast moving parts B:Semi-fast moving parts C:Slow moving parts D:Order only as needed

# RECOIL STARTER



## RECOIL STARTER

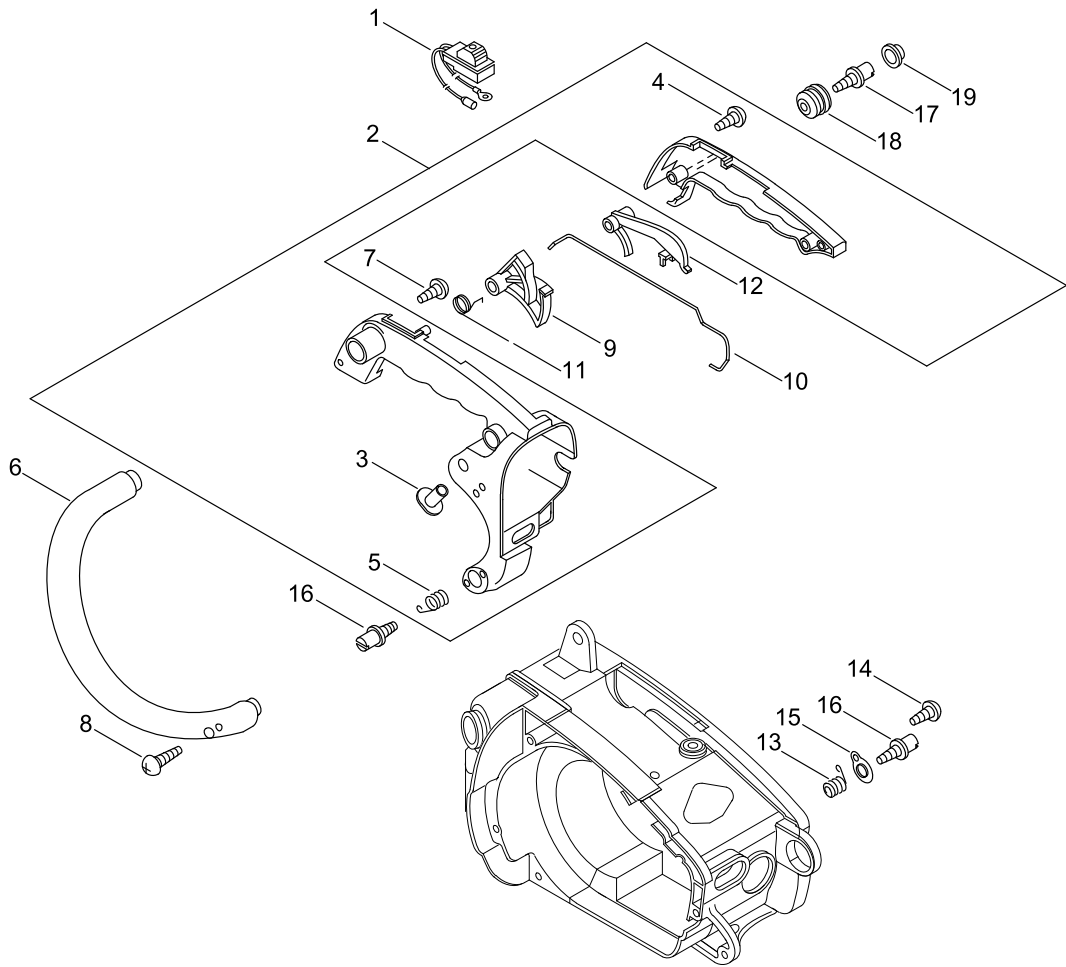
Key No.	LV (+)	Parts Number	Parts Description	Qty	Standard	Class
1		A051-002540	STARTER,RECOIL ASY	1		B
2	+	V162-000150	PLUG	1		C
3	+	A506-000460	REEL,ROPE	1		C
4	+	A507-000110	CATCHER,PAWL	1		C
5	+	V452-001320	SPRING,TORSION	1		B
6	+	177236-61830	SCREW	1		
7	+	P022-006220	ROPE	7		
8	+	P022-001330	SPRING KIT, REWIND	1		
9	++	P022-033280	SPRING CASE	1		
10	+	P022-001320	GRIP, STARTER	1		
11	+	P022-037670	STOPPER, ROPE	1		
12	+	P022-037530	STARTER,RECOIL	1		
13		A172-002040	COVER,FAN	1		C
14		900256-04016	SCREW 4*16	3	4*16	
15		X502-000780	LABEL,ECHO	1		D
16		X505-006921	LABEL,CAUTION	1	13000R/MIN	D

Class : Consumable class

A:Fast moving parts B:Semi-fast moving parts C:Slow moving parts D:Order only as needed



# HANDLE



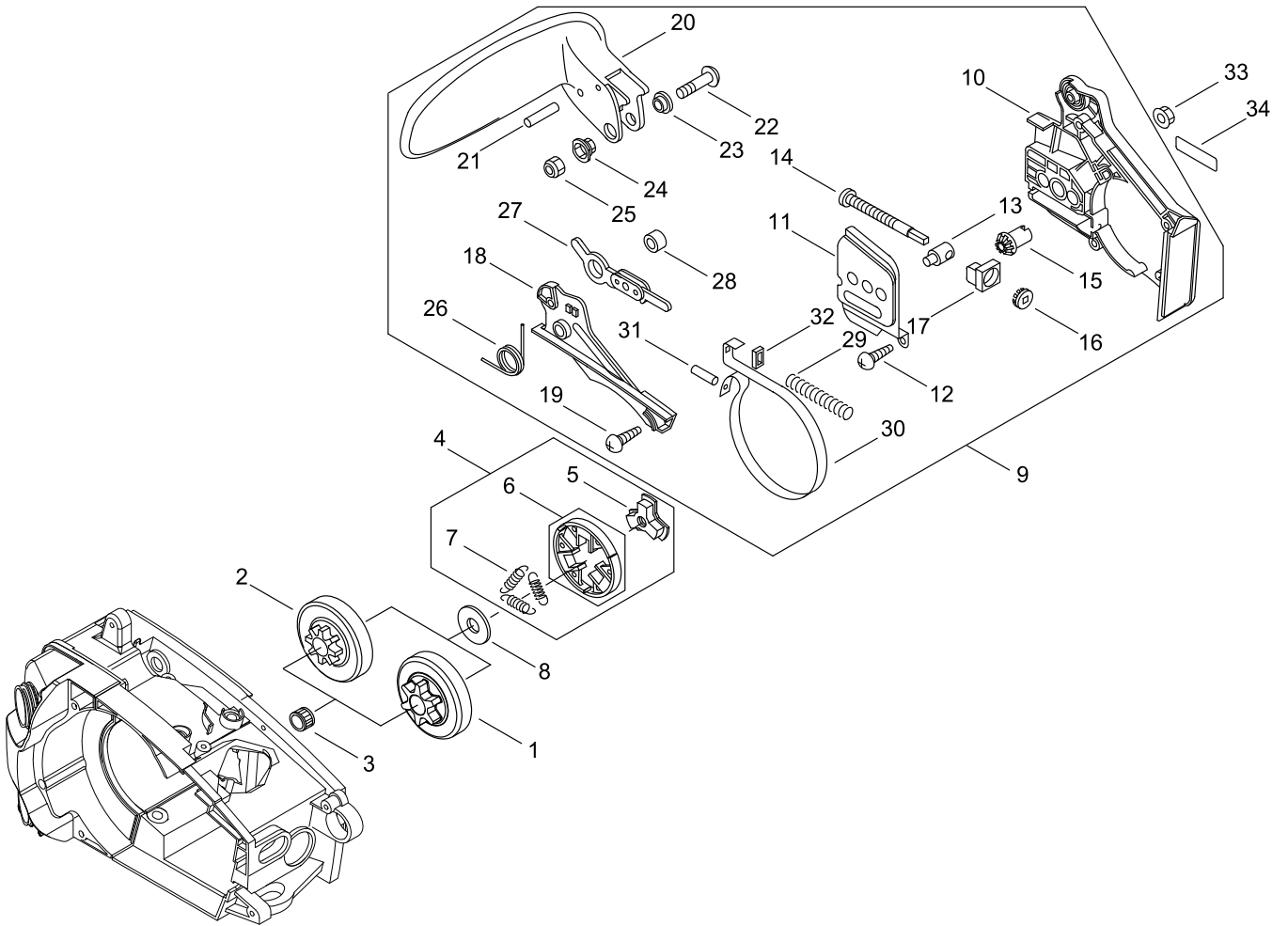
## HANDLE

Key No.	LV (+)	Parts Number	Parts Description	Qty	Standard	Class
1		A440-000211	SWITCH,ON OFF	1		C
2		P021-001965	HANDLE SET, REAR	1		
3	+	130020-33330	NUT	2		C
4	+	900256-04016	SCREW, TAPPING	4	4*16	
5	+	V450-000340	SPRING,COMPRESSION	1	ES	B
6		C400-000050	HANDLE,FRONT	1		C
7		900253-05020	SCREW, TAPPING	1	5*20	
8		900256-04016	SCREW, TAPPING	2	4*16	
9		C450-000010	TRIGGER,THROTTLE	1		C
10		C454-000051	ROD,THROTTLE	1		C
11		V452-000010	SPRING,TORSION	1		B
12		C460-000002	LOCKOUT,THROTTLE	1		C
13		V450-000080	SPRING,COMPRESSION	1		B
14		900253-04012	SCREW, TAPPING	1	4*12	
15		V150-003810	PLATE,EYE	1		C
16		V202-000000	BOLT,4	2		C
17		V202-000020	BOLT,4	1		C
18		100921-39131	CUSHION	1		B
19		100918-15130	CAP	1		C

Class : Consumable class

A:Fast moving parts B:Semi-fast moving parts C:Slow moving parts D:Order only as needed

# CHAIN BRAKE



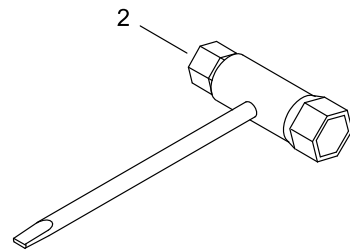
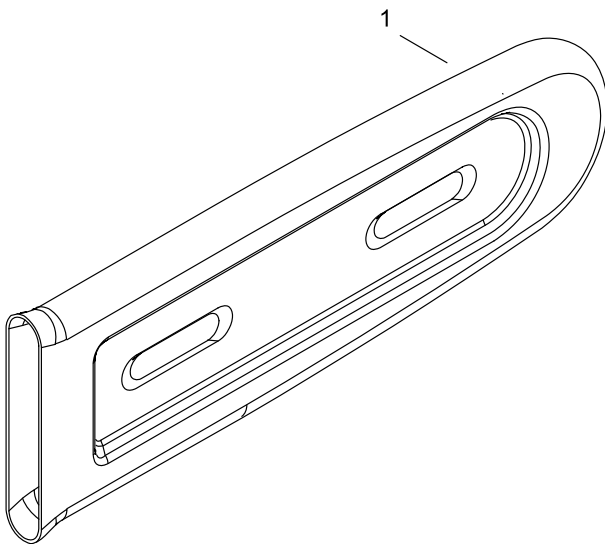
## CHAIN BRAKE

Key No.	LV (+)	Parts Number	Parts Description	Qty	Standard	Class
1		A556-000092	DRUM,CLUTCH	1	3/8A	B
2		A556-000102	DRUM,CLUTCH	1	1/4A	B
3		V555-000170	BEARING,NEEDLE 10	1	8E-KV10*13*12.8	B
4		A056-000030	CLUTCH	1		B
5	+	A552-000020	HUB,CLUTCH	1		B
6	+	P021-001950	CLUTCH SHOE SET	1		
7	+	V451-000150	SPRING,TENSION	3		B
8		A551-000010	PLATE,CLUTCH	1		C
9		P021-048911	BRAKE,ASM CHAIN	1		
10	+	C300-000173	GUARD,SPROCKET	1		C
11	+	C305-000031	PLATE,SPROCKET GUARD	1		C
12	+	900253-04012	SCREW	1	4*12	
13	+	C309-000030	TENSIONER,CHAIN	1		C
14	+	V203-000021	BOLT,5	1		C
15	+	V651-000001	GEAR,BEVEL	1		D
16	+	V651-000011	GEAR,BEVEL	1		D
17	+	V355-000800	COLLAR,8	1		C
18	+	C345-000114	COVER,BRAKE	1		C
19	+	900253-04012	SCREW	2	4*12	
20	+	C320-000034	LEVER,BRAKE	1		C
21	+	900330-30260	ROLLER 3*26	2	3*26	
22	+	91318-05032	SCREW	1	5*32	
23	+	433167-39130	SPACER	1		C
24	+	V353-000060	COLLAR,5	1		C
25	+	900562-50005	LOCKNUT 5	1	5	
26	+	V452-000110	SPRING,TORSION	1		B
27	+	C334-000060	CONNECTOR,BRAKE	1		C
28	+	433116-35430	SPACER 8	1	8*12*9	C
29	+	V450-000070	SPRING,COMPRESSION	1		B
30	+	C328-000020	BAND,BRAKE	1		C
31	+	93050-30098	ROLLER	1	F3*9.8	
32	+	V376-000450	SPACER	1		C
33		V265-000200	NUT	1		C
34		X502-000340	LABEL,ECHO	1	ECHO(WHITE)	D

Class : Consumable class

A:Fast moving parts B:Semi-fast moving parts C:Slow moving parts D:Order only as needed

# ACCESSORIES



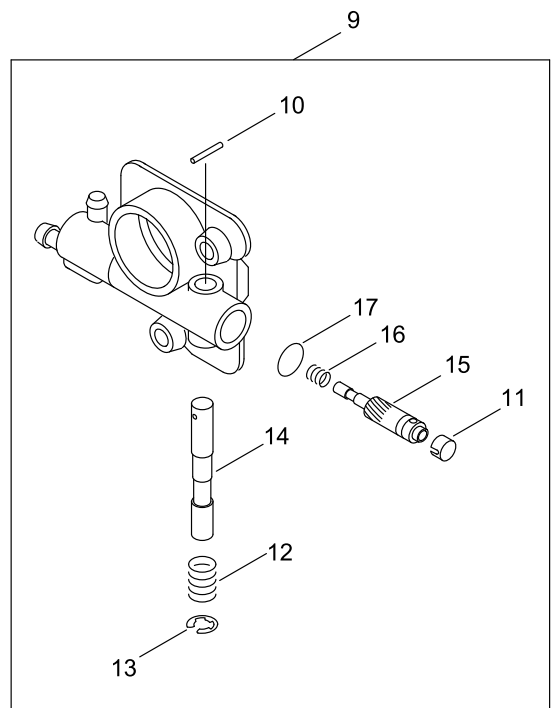
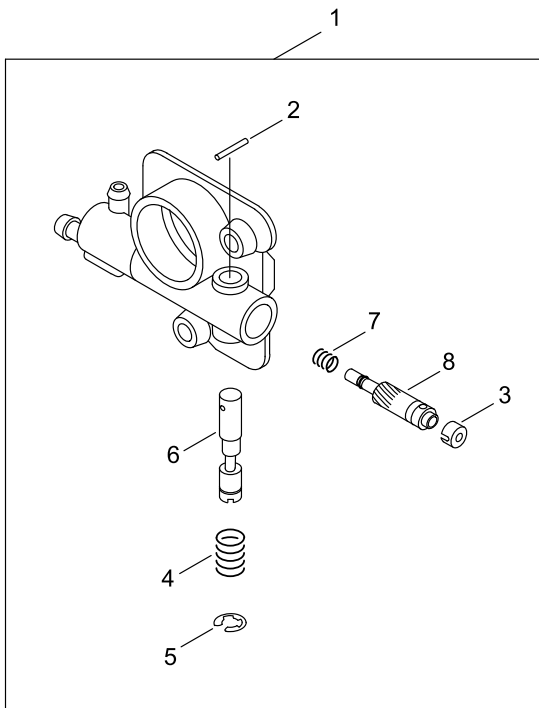
## ACCESSORIES

Key No.	LV (+)	Parts Number	Parts Description	Qty	Standard	Class
1		X490-000840	SCABBARD,CHAIN	1	260	D
2		X602-000080	TOOL,WRENCH	1	13*19 L180	D

Class : Consumable class

A:Fast moving parts B:Semi-fast moving parts C:Slow moving parts D:Order only as needed

# OILER



## OILER



Key No.	LV (+)	Parts Number	Parts Description	Qty	Standard	Class
1		C022-000020	AUTO-OILER ASSEMBLY	1	OP-7	C
2	+	P003-002180	PIN, SPRING	1		
3	+	437062-38330	CAP, OIL PUMP	1		
4	+	437015-37330	SPRING	1		
5	+	123127-15030	RING	1		
6	+	P003-001370	NEEDLE-ADJ	1		D
7	+	437019-38330	SPRING	1		
8	+	437024-37330	PLUNGER	1		
9		C022-000180	AUTO-OILER ASSEMBLY	1	OP-25 METAL GEAR	C
10	+	P003-002180	PIN, SPRING	1		
11	+	437062-38330	CAP, OIL PUMP	1		
12	+	437015-37330	SPRING	1		
13	+	123127-15030	RING	1		
14	+	P003-005430	NEEDLE-ADJ	1		D
15	+	P003-005440	SHAFT ASY-PLUNGER	1		
16	+	P003-005140	SPRING	1		
17	+	P003-005420	WASHER	1		

Class : Consumable class

A:Fast moving parts B:Semi-fast moving parts C:Slow moving parts D:Order only as needed



## GUIDE BAR, CHAIN

Pitch ピッチ  (inch) (mm)	Gauge ゲージ  (inch) (mm)	Length 長さ  (cm)	Guide Bar ガイドバー		Saw Chain ソーチェーン		Hard Nose  ハード ノーズ  	Sprocket Nose  スプロケット ノーズ  
			Key №	Type 形式	Key №	Type 形式		
3/8 9.53	0.050 1.27	25	A1	C25S91-40SL-ET	A2	91PX-40E		●
1/4 6.35	0.050 1.27	25	B1	C25H25-60CLD ED	B2	25AP-60E	●	
1/4 6.35	0.043 1.09	20	C1	C20HA4-52CL- ED	C2	A4S-52E ECHO	●	
1/4 6.35	0.043 1.09	25	D1	C25HA4-60CL- ED	D2	A4S-60E ECHO	●	

## GUIDE BAR, CHAIN

Key No.	LV (+)	Parts Number	Parts Description	Qty	Standard	Class
A1		X121-000003	BAR,GUIDE 25	1	C25S91-40SL- ET	A
A2		X221-000100	CHAIN,SAW	1	91PX-40E	A
B1		X101-000200	BAR,GUIDE 25	1	C25H25-60CLD ED	A
B2		431610-10030	CHAIN, SAW 25AP-60E	1	25AP-60E	A
C1		X100-000070	BAR,GUIDE 20	1	C20HA4-52CL- ED	A
C2		X200-000020	CHAIN,SAW	1	A4S-52E ECHO	A
D1		X101-000210	BAR,GUIDE 25	1	C25HA4-60CL- ED	A
D2		X201-000020	CHAIN,SAW	1	A4S-60E ECHO	A

Class : Consumable class

A:Fast moving parts B:Semi-fast moving parts C:Slow moving parts D:Order only as needed

# NUMERICAL PARTS INDEX

Part No	Part description	Page	Part No	Part description	Page	Part No	Part description	Page
100013-22330	PIN, PISTON	2	431610-10030	CHAIN, SAW 25AP-60E	24	A226-000051	ELEMENT,AIR FILTER	8
100014-11520	SPACER, PISTON PIN	2	433026-35430	CATCHER, CHAIN	4	A235-000040	KNOB,CLEANER LID	8
100015-04630	CIRCLIP, PISTON PIN	2	433116-35430	SPACER 8	18	A239-000000	PIPE,INTAKE	4
100142-12330	KEY, WOODRUFF	6	433167-39130	SPACER	18	A244-000000	PLATE,PREVENT	8
100918-15130	CAP	16	436114-13930	VALVE, CHECK	4	A310-000420	SCREEN, ARRESTOR	12
100921-39131	CUSHION	16	437015-37330	SPRING	22	A312-000060	PLATE, EXHUST	12
123110-03930	SCREW, PUMP COVER	10	437019-38330	SPRING	22	A313-001970	GUIDE, EXHAUST	12
123112-15030	DIAPHRAGM, FUEL PUMP	10	437024-37330	PLUNGER	22	A320-001030	COVER,MUFFLER	12
123113-37530	SPRING, THROTTLE RTN	10	437062-38330	CAP, OIL PUMP	22	A365-000050	CONNECTOR,CAP	4
123114-38830	SCREW	10	900106-05025	BOLT HSH, FLANGE	4	A369-000420	STRAINER, FUEL	4
123116-05960	VALVE, THROTTLE	10	900162-04012	BOLT, H.S. 4*12	8	A409-001130	ROTOR, MAGNETO	6
123122-03660	SPRING, METER. LEVER	10	900162-05018	BOLT HSH	4	A411-001511	COIL, IGNITION	6
123123-03930	LEVER, METERING	10	900162-05022	BOLT, H.S. 5*22	2	A425-000000	SPARKPLUG	6
123124-24430	COVER, FUEL PUMP	10	900238-04012	SCREW 4*12	2	A426-000010	TERMINAL,SPARKPLUG	6
123125-15030	GASKET, FUEL PUMP	10	900238-05018	SCREW 5*18	6	A427-000013	CAP,SPARK PLUG	6
123126-10631	SCREEN, INLET	10	900238-05050	SCREW 5*50	8	A440-000211	SWITCH,ON OFF	16
123127-15030	RING	10	900242-04008	SCREW	12	A506-000460	REEL,ROPE	14
123127-15030	RING	22	900253-04012	SCREW, TAPPING	4	A507-000110	CATCHER,PAWL	14
123130-02960	SCREW	10	900253-04012	SCREW, TAPPING	16	A514-000020	PAWL	6
123133-04260	SPRING, IDLE ADJUST	10	900253-04012	SCREW	18	A551-000010	PLATE,CLUTCH	18
123134-04260	SCREW, IDLE ADJUST	10	900253-04016	SCREW 4*16	12	A552-000020	HUB,CLUTCH	18
123136-09660	BALL	10	900253-05020	SCREW, TAPPING	4	A556-000092	DRUM,CLUTCH	18
123137-19830	VALVE, INLET NEEDLE	10	900253-05020	SCREW, TAPPING	16	A556-000102	DRUM,CLUTCH	18
123138-03930	PIN, METERING LEVER	10	900256-04016	SCREW 4*16	14	C022-000020	AUTO-OILER ASSEMBLY	2
123139-03930	SCREW, M. LEVER PIN	10	900256-04016	SCREW, TAPPING	16	C022-000020	AUTO-OILER ASSEMBLY	22
123140-03930	GASKET, M. DIAPHRAGM	10	900330-30260	ROLLER 3*26	18	C022-000180	AUTO-OILER ASSEMBLY	2
123142-03930	COVER, M. DIAPHRAGM	10	900515-00008	NUT, FLANGE 8	6	C022-000180	AUTO-OILER ASSEMBLY	22
123146-10630	PLUG, WELCH	10	900562-50005	LOCKNUT 5	18	C300-000173	GUARD,SPROCKET	18
123181-39130	PUMP, PRIMER	4	900603-00005	WASHER 5	6	C305-000023	PLATE,SPROCKET GUARD	4
123185-09660	PISTON ASSY	10	900720-00018	O-RING	4	C305-000031	PLATE,SPROCKET GUARD	18
123186-09660	SPRING, START VALVE	10	900724-00004	O-RING	4	C309-000030	TENSIONER,CHAIN	18
130020-33330	NUT	16	900800-36001	BEARING, BALL 6001	2	C320-000034	LEVER,BRAKE	18
131300-56431	VENT ASSEMBLY, FUEL	4	91107-05045	BOLT HSH FLANGE	12	C328-000020	BAND,BRAKE	18
131925-02310	WASHER,CIRCULAR 8	8	91318-05032	SCREW	18	C334-000060	CONNECTOR,BRAKE	18
132010-22131	PIPE	2	93050-30098	ROLLER	18	C345-000114	COVER,BRAKE	18
132012-11961	PIPE	2	A021-004191	CARBURETOR, DIAPHRAGM	8	C400-000050	HANDLE,FRONT	16
132115-01462	GROMMET	2	A021-004191	CARBURETOR, DIAPHRAGM	10	C450-000010	TRIGGER,THROTTLE	16
132115-44331	GROMMET, FUEL	4	A051-002540	STARTER,RECOIL ASY	14	C454-000051	ROD,THROTTLE	16
150117-16430	SPACER	6	A056-000030	CLUTCH	18	C460-000002	LOCKOUT,THROTTLE	16
156110-04920	BUSHING	6	A101-000630	RING, PISTON	2	P003-000380	THROTTLE, LEVER	10
156114-07320	GROMMET	6	A127-000021	COVER,DUST	4	P003-000410	VALVE CHOKE	10
163911-30130	PLUG	4	A172-002040	COVER,FAN	14	P003-001370	NEEDLE-ADJ	22
177236-61830	SCREW	14	A202-000001	BELLOWS,INTAKE	8	P003-001510	LEVER-FAST IDLE	10
177247-04630	SPACER, RATCHET	6	A225-000025	CASE,CLEANER	8	P003-001850	DIAPHRAGM, METERING	10

# NUMERICAL PARTS INDEX

Part No	Part description	Page	Part No	Part description	Page
P003-002180	PIN, SPRING	22	V353-000060	COLLAR,5	18
P003-002380	SCREW	10	V355-000800	COLLAR,8	18
P003-004190	NEEDLE	10	V356-000290	COLLAR,10	2
P003-004780	SPRING	10	V358-000021	COLLAR,14	8
P003-004790	SHAFT-CHOKE(MOLD)	10	V376-000450	SPACER	18
P003-005090	PLUG CUP	10	V450-000070	SPRING,COMPRESSION	18
P003-005140	SPRING	22	V450-000080	SPRING,COMPRESSION	16
P003-005350	SHAFT ASSY, THROTTLE	10	V450-000340	SPRING,COMPRESSION	16
P003-005420	WASHER	22	V451-000150	SPRING,TENSION	18
P003-005430	NEEDLE-ADJ	22	V452-000010	SPRING,TORSION	16
P003-005440	SHAFT ASY-PLUNGER	22	V452-000030	SPRING,TORSION	6
P021-001950	CLUTCH SHOE SET	18	V452-000110	SPRING,TORSION	18
P021-001965	HANDLE SET, REAR	16	V452-001320	SPRING,TORSION	14
P021-005581	CAP ASY	4	V470-000322	PIPE	4
P021-005591	CAP ASY	4	V471-001231	PIPE	4
P021-038072	CRANKSHAFT ASY	2	V471-001252	PIPE	4
P021-044050	CYLINDER KIT	2	V471-001262	PIPE	4
P021-044060	PISTON KIT	2	V475-001900	TUBE	6
P021-048911	BRAKE,ASM CHAIN	18	V475-003550	TUBE	6
P022-001320	GRIP, STARTER	14	V485-000140	LEAD	6
P022-001330	SPRING KIT, REWIND	14	V490-001230	CLIP	2
P022-006220	ROPE	14	V490-001240	CLIP	4
P022-033280	SPRING CASE	14	V505-000001	SEAL,OIL	2
P022-037530	STARTER,RECOIL	14	V555-000170	BEARING,NEEDLE 10	18
P022-037670	STOPPER, ROPE	14	V651-000001	GEAR,BEVEL	18
P100-001900	STRAINER, OIL	2	V651-000011	GEAR,BEVEL	18
P100-002770	CLEANER COVER ASY	8	V652-000030	GEAR,WORM	2
P100-002800	MUFFLER ASY	12	V652-000230	GEAR,WORM	2
P100-007040	COVER ENGINE ASY	4	X100-000070	BAR,GUIDE 20	24
V104-001850	GASKET,EXHAUST	12	X101-000200	BAR,GUIDE 25	24
V104-001860	GASKET,EXHAUST	12	X101-000210	BAR,GUIDE 25	24
V137-000001	GROMMET,FUEL	4	X121-000003	BAR,GUIDE 25	24
V150-003810	PLATE,EYE	16	X200-000020	CHAIN,SAW	24
V162-000150	PLUG	14	X201-000020	CHAIN,SAW	24
V186-000510	JOINT,PIPE	4	X221-000100	CHAIN,SAW	24
V187-000010	NIPPLE	2	X490-000840	SCABBARD,CHAIN	20
V202-000000	BOLT,4	16	X502-000340	LABEL,ECHO	18
V202-000011	BOLT,4	4	X502-000780	LABEL,ECHO	14
V202-000020	BOLT,4	16	X503-012600	LABEL,MODEL	8
V203-000021	BOLT,5	18	X505-002441	LABEL,CAUTION	4
V203-000080	BOLT,5	6	X505-006921	LABEL,CAUTION	14
V225-000370	BOLT,STUD 8	4	X505-007710	LABEL,CAUTION	12
V265-000200	NUT	18	X602-000080	TOOL,WRENCH	20
V308-000030	WASHER,CIRCULAR 11	2			
V341-000180	WASHER,SQUARE	12			