

CS-352ES

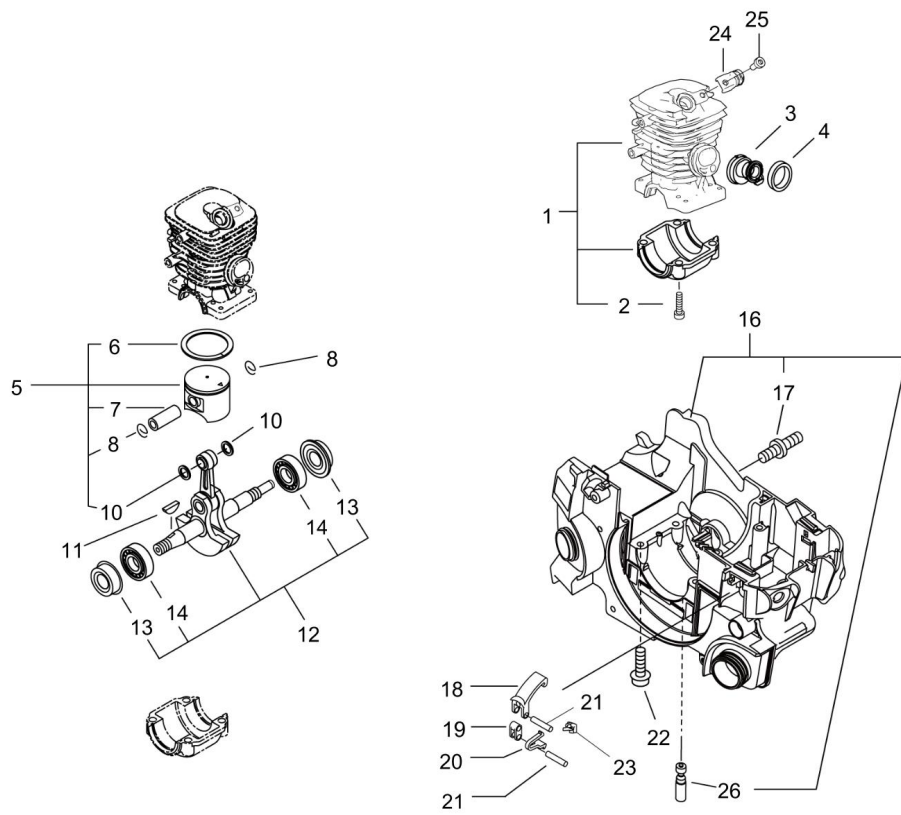
Serial number: 37004652-99999999

Last update date: 02/18/2020

TABLE OF CONTENTS

CYLINDER, CRANKCASE, PISTON	1
MUFFLER	3
RECOIL STARTER, MAGNETO	5
AIR CLEANER, CARBURETOR.....	7
HANDLE	9
CLUTCH, SPROCKET.....	11
LABELS.....	13
CARBURETOR.....	15
TOOLS.....	17
GUIDE BAR, CHAIN	19

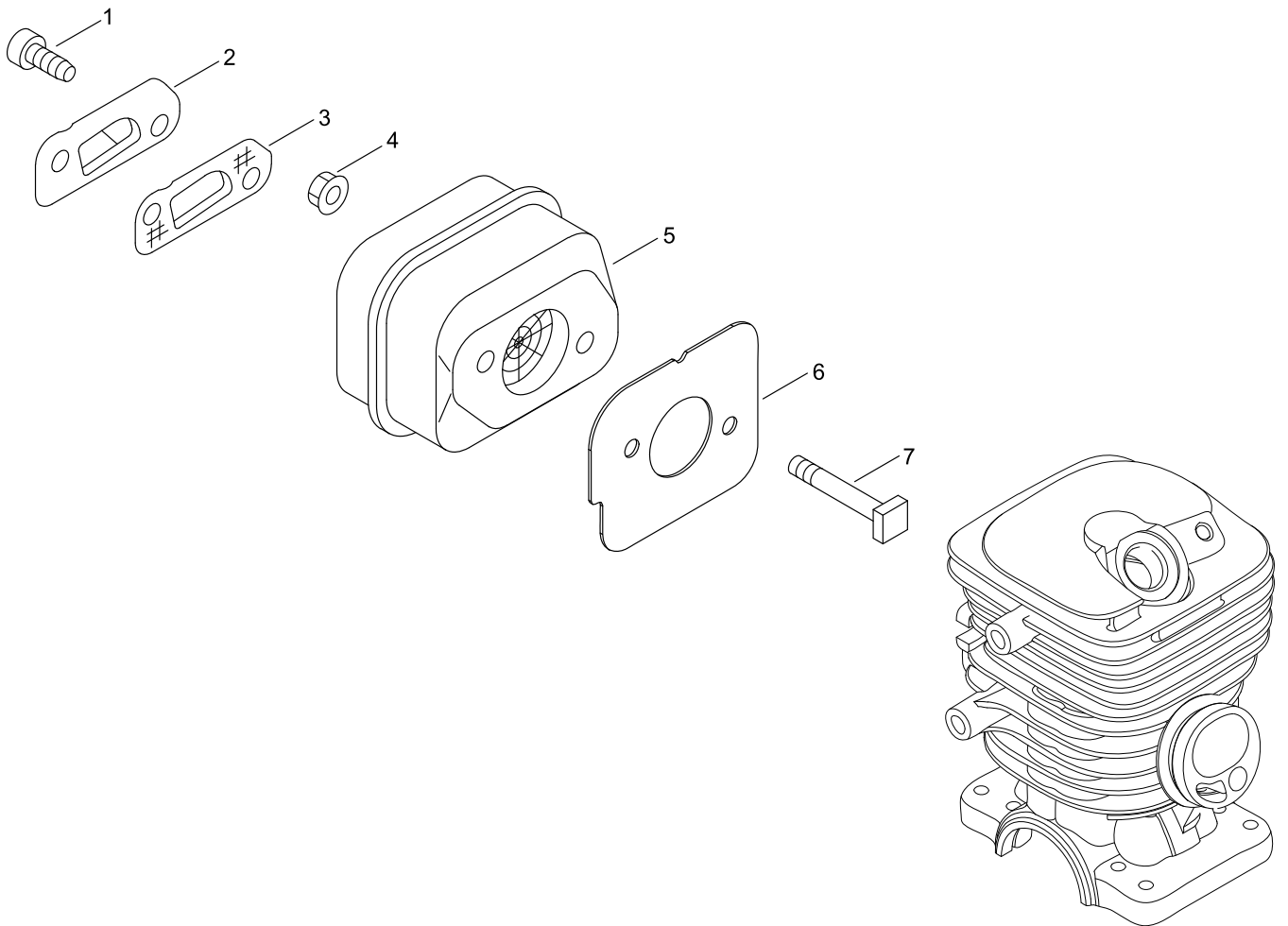
CYLINDER, CRANKCASE, PISTON



CYLINDER, CRANKCASE, PISTON

Key No.	LV (+)	Part No	Description	Qty	Standard
1		P021-035190	CRANKCASE KIT	1	
2	+	V805-000220	BOLT, TORX 5	4	TB-5*25 12.9
3		A202-000070	BELLOWS, INTAKE	1	
4		A206-000000	HOLDER, BELLOWS	1	
5		P021-035200	PISTON KIT	1	
6	+	A101-000580	RING, PISTON	1	
7	+	100013-15330	PIN, PISTON	1	5.5*8*29
8	+	100015-04630	CIRCLIP, PISTON PIN	2	
10	+	100014-11520	SPACER, PISTON PIN	2	
11		100142-12330	KEY, WOODRUFF	1	
12		P021-015072	CRANKSHAFT,ASSY	1	
13	+	V505-000011	SEAL,OIL 12	2	12*32*5.5
14	+	94035-36201	BEARING BALL	2	6201X3JR2C3
16		P021-036930	COVER, ENGINE	1	
17	+	V225-000030	BOLT,STUD 8	2	
26	+	C022-000071	AUTO-OILER ASSEMBLY	1	
18		C463-000030	KNOB, LATCH	2	
19		J485-000200	HINGE	2	
20		V490-000400	CLIP	2	
21		V622-000070	PIN,STRAIGHT 4	4	F4*17.8
22		V805-000180	BOLT, TORX 5	4	TB-5*30 12.9
23		C617-000500	STOPPER	2	
24		V456-000240	HOLDER,SPRING	1	
25		V805-000140	BOLT, TORX 5	1	TB-5*12 10.9

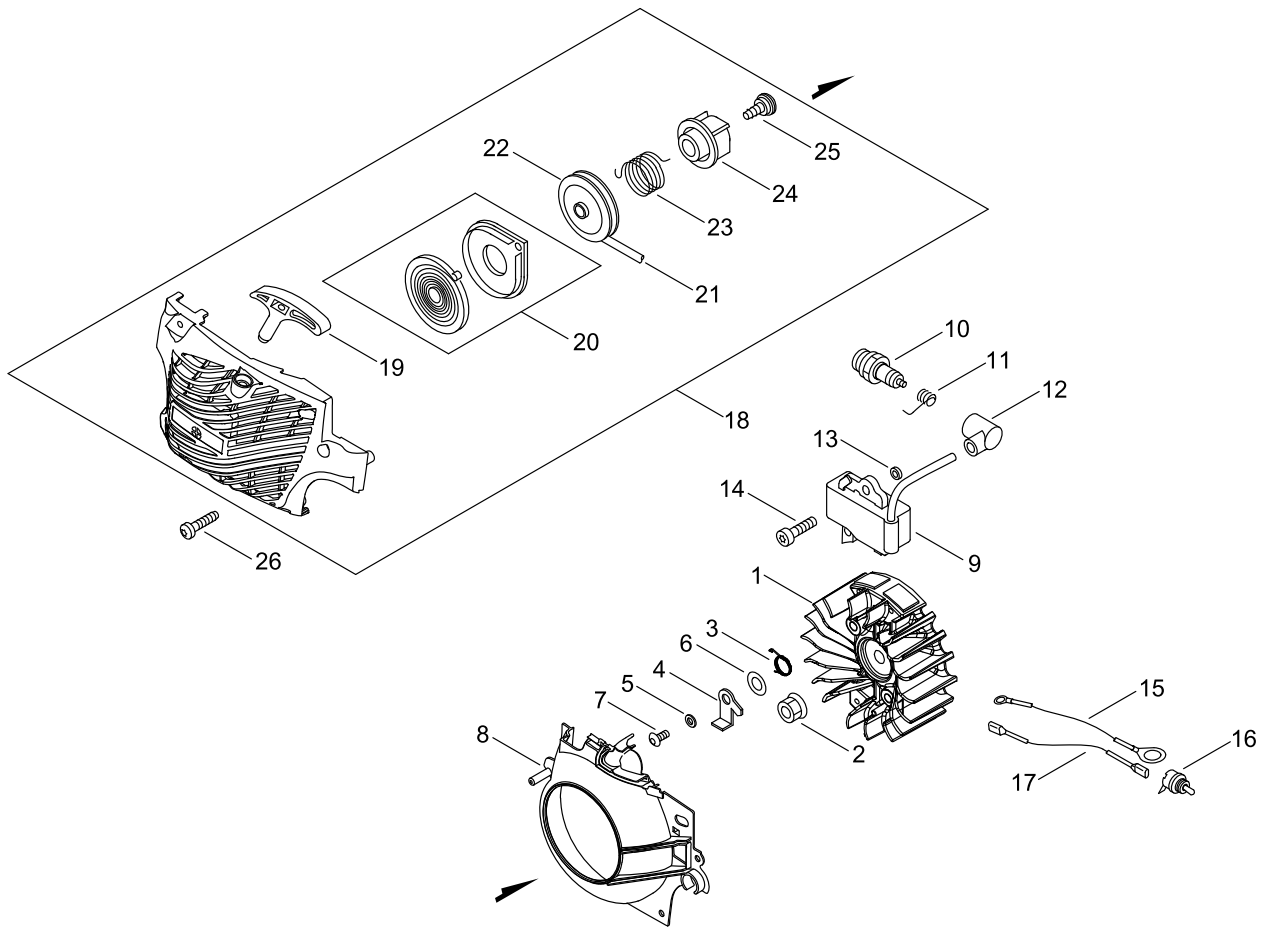
MUFFLER



MUFFLER

Key No.	LV (+)	Part No	Description	Qty	Standard
1		V804-000030	BOLT, TORX 4	2	TB-4*8 10.9
2		A313-001120	GUIDE, EXHAUST	1	ID#1800
3		A310-000060	SCREEN, ARRESTOR	1	
4		900516-00005	NUT, FRANGE 5	2	5
5		A300-000830	MUFFLER, EXHAUST	1	
6		V104-000732	GASKET,EXHAUST	1	
7		V203-000120	BOLT,5	2	L=60

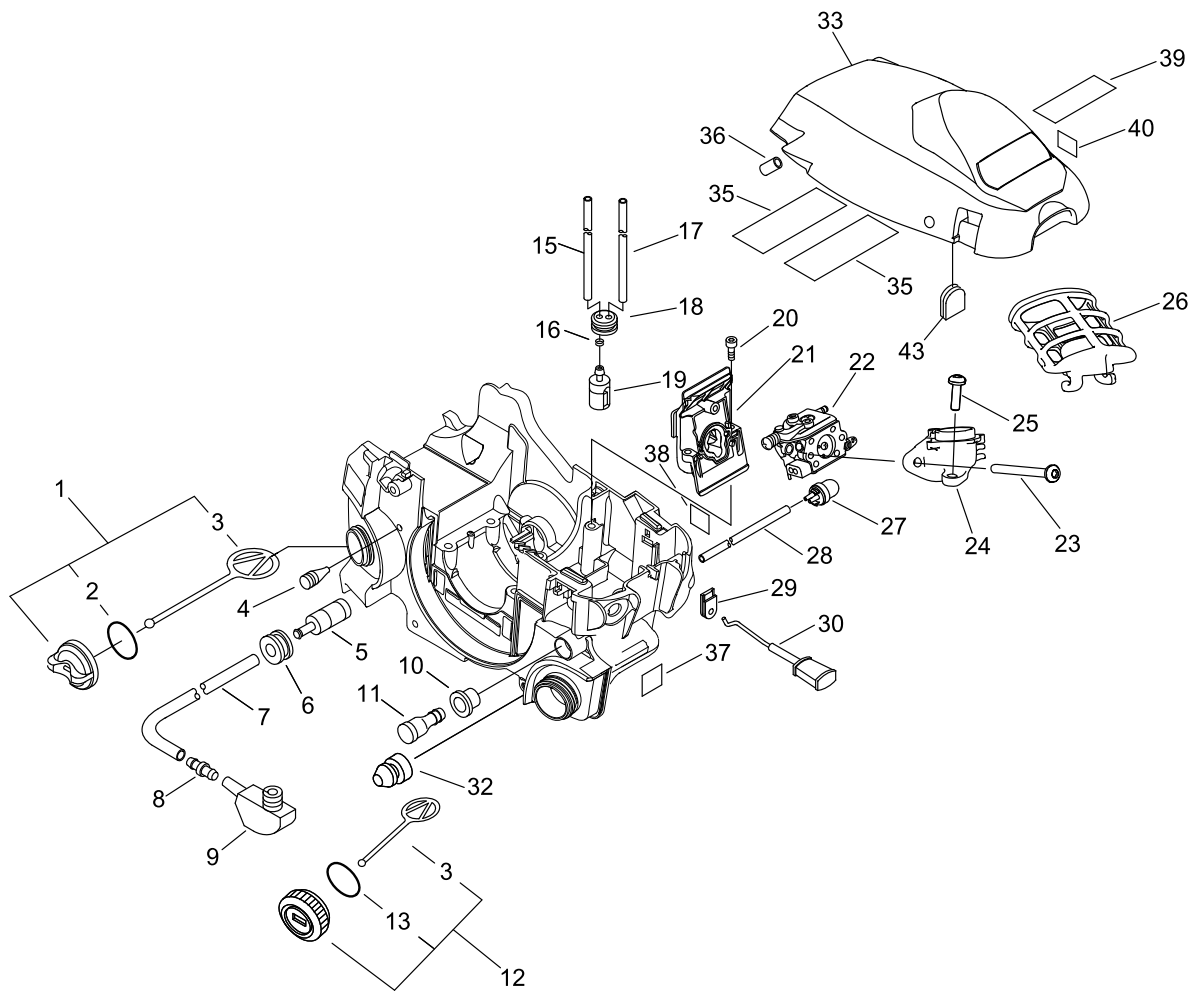
RECOIL STARTER, MAGNETO



RECOIL STARTER, MAGNETO

Key No.	LV (+)	Part No	Description	Qty	Standard
1		A409-000350	ROTOR, MAGNETO	1	WALBRO FW57
2		900515-00008	NUT, FLANGE 8	1	8
3		177234-35430	SPRING, RETURN	2	
4		A514-000020	PAWL	2	
5		177247-04630	SPACER, RATCHET	2	5.2*8*2.1
6		900603-00005	WASHER 5	2	5.5*12*0.8
7		V203-000080	BOLT,5	2	5*14
8		A172-000830	COVER,FAN	1	
9		A411-001180	COIL, IGNITION	1	MBU-40
10		A425-000000	SPARKPLUG	1	BPMR8Y
11		A426-000020	TERMINAL,SPARKPLUG	1	
12		A427-000020	CAP,SPARK PLUG	1	
13		150117-16430	SPACER	2	
14		V805-000210	BOLT, TORX 5	2	TB-5*20 12.9
15		V485-001070	LEAD	1	#LA105 L255
16		A440-001190	SWITCH, ON OFF	1	
17		V485-001080	LEAD	1	L235,#187,#250
18		A051-001301	STARTER,RECOIL ASY	1	
19	+	P022-005891	GRIP, STARTER	1	
20	+	P022-001330	SPRING KIT, REWIND	1	
21	+	P022-008440	ROPE, STARTER	1	3.5*900
22	+	A506-000460	REEL,ROPE	1	
23	+	V452-001320	SPRING,TORSION	1	
24	+	A507-000110	CATCHER,PAWL	1	
25	+	177236-61830	SCREW	1	
26		V805-000010	BOLT, TORX 5	4	TT-5*20 DG 10.9

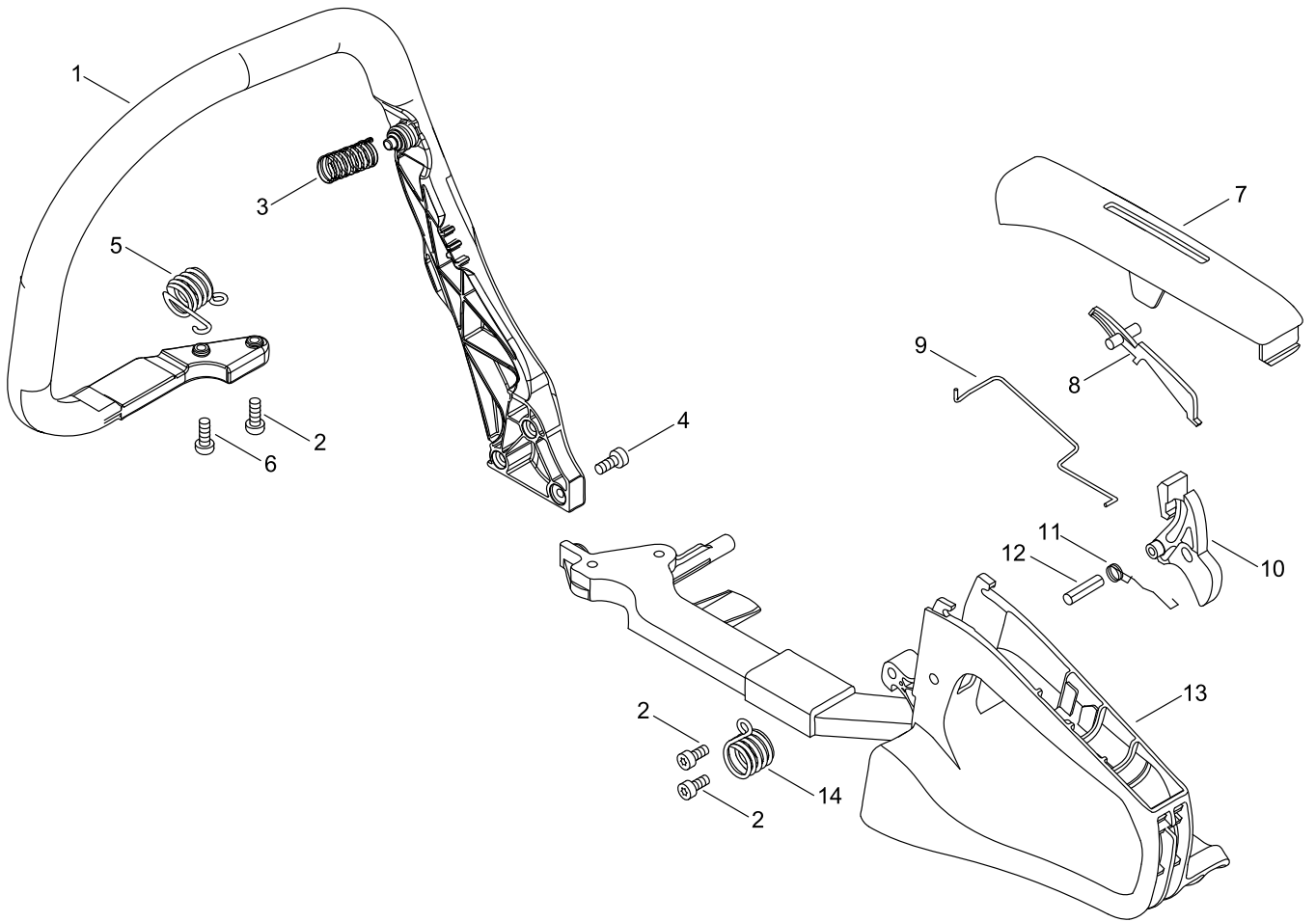
AIR CLEANER, CARBURETOR



AIR CLEANER, CARBURETOR

Key No.	LV (+)	Part No	Description	Qty	Standard
1		P021-005581	CAP ASY	1	
2	+	900720-00018	O-RING	1	P-18
3	+	A365-000050	CONNECTOR,CAP	1	
4		436114-13930	VALVE, CHECK	1	
5		A369-000420	STRAINER, FUEL	1	ES-16499
6		132115-01461	GROMMET	1	
7		130110-05260	PIPE, IMPULSE	1	
8		V186-000020	JOINT,PIPE	1	
9		V470-000810	PIPE	1	
10		V137-000000	GROMMET,FUEL	1	
11		A356-000030	VALVE,CHECK	1	
11		A356-000031	VALVE,CHECK	1	
12		131004-37933	CAP ASY, FUEL	1	
13	+	V581-000610	RING,O	1	P22
3	+	A365-000050	CONNECTOR,CAP	1	
15		V471-002170	PIPE	1	3*5*230
16		132013-09820	CLIP	1	6MM
17		V471-001560	PIPE	1	2.4*5*80
18		132115-44330	GROMMET	1	
19		131205-14930	STRAINER,FUEL	1	
20		V805-000010	BOLT, TORX 5	2	TT-5*20 DG 10.9
21		A200-000352	INSULATOR, INTAKE	1	
22		A021-003340	CARBURETOR, DIAPHRAGM	1	WT-991
23		V805-000040	BOLT, TORX 5	2	TT-5*55 DG 10.9
24		A204-000211	ELBOW, CARBURETOR	1	
25		V805-000000	BOLT, TORX 5	1	TT-5*16 DG 10.9
26		A226-001420	ELEMENT, AIR FILTER	1	
27		123181-39130	PUMP, PRIMER	1	
28		V471-001280	PIPE	1	2.4*5*105
29		V130-000010	GROMMET,CHOKE	1	
30		A241-000150	KNOB, CHOKE	1	
32		V420-001790	CUSHION	2	
33		A160-002300	COVER,CYLINDER	1	
35		V341-000120	WASHER,SQUARE	2	
36		100927-35830	PIPE	1	3*7*10
37		890157-39131	LABEL, SWITCH	1	
38		X524-001901	LABEL	1	
39		X503-010410	LABEL,MODEL	1	CS-352ES
40		890631-38131	LABEL, CAUTION	1	
43		130338-32430	PLUG, COVER	1	

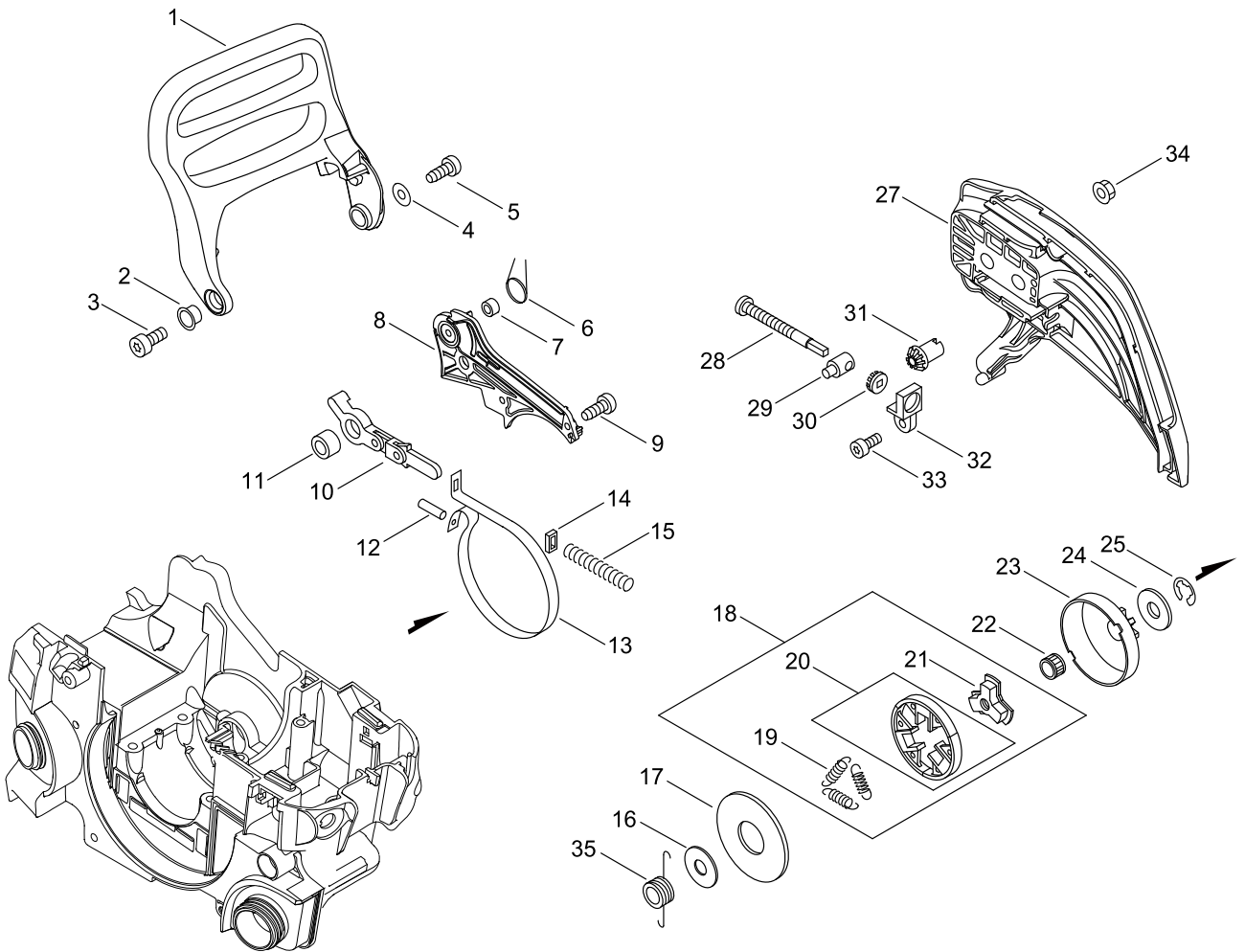
HANDLE



HANDLE

Key No.	LV (+)	Part No	Description	Qty	Standard
1		C400-001030	HANDLE, FRONT	1	
2		V805-000000	BOLT, TORX 5	3	TT-5*16 DG 10.9
3		V450-001610	SPRING,COMPRESSION	1	
4		V805-000010	BOLT, TORX 5	3	TT-5*20 DG 10.9
5		V450-000710	SPRING,COMPRESSION	1	
6		V805-000000	BOLT, TORX 5	2	TT-5*16 DG 10.9
7		C411-000040	LID,HANDLE	1	
8		C460-000072	LOCKOUT, THROTTLE	1	
9		C454-000160	ROD, THROTTLE	1	
10		C450-000212	CONTROL, THROTTLE	1	
11		V452-000260	SPRING,TORSION	1	
12		900345-40025	PIN, SPRING 4*25SUS	1	4*25SUS
13		C410-000450	HANDLE, REAR	1	
14		V450-001620	SPRING,COMPRESSION	1	

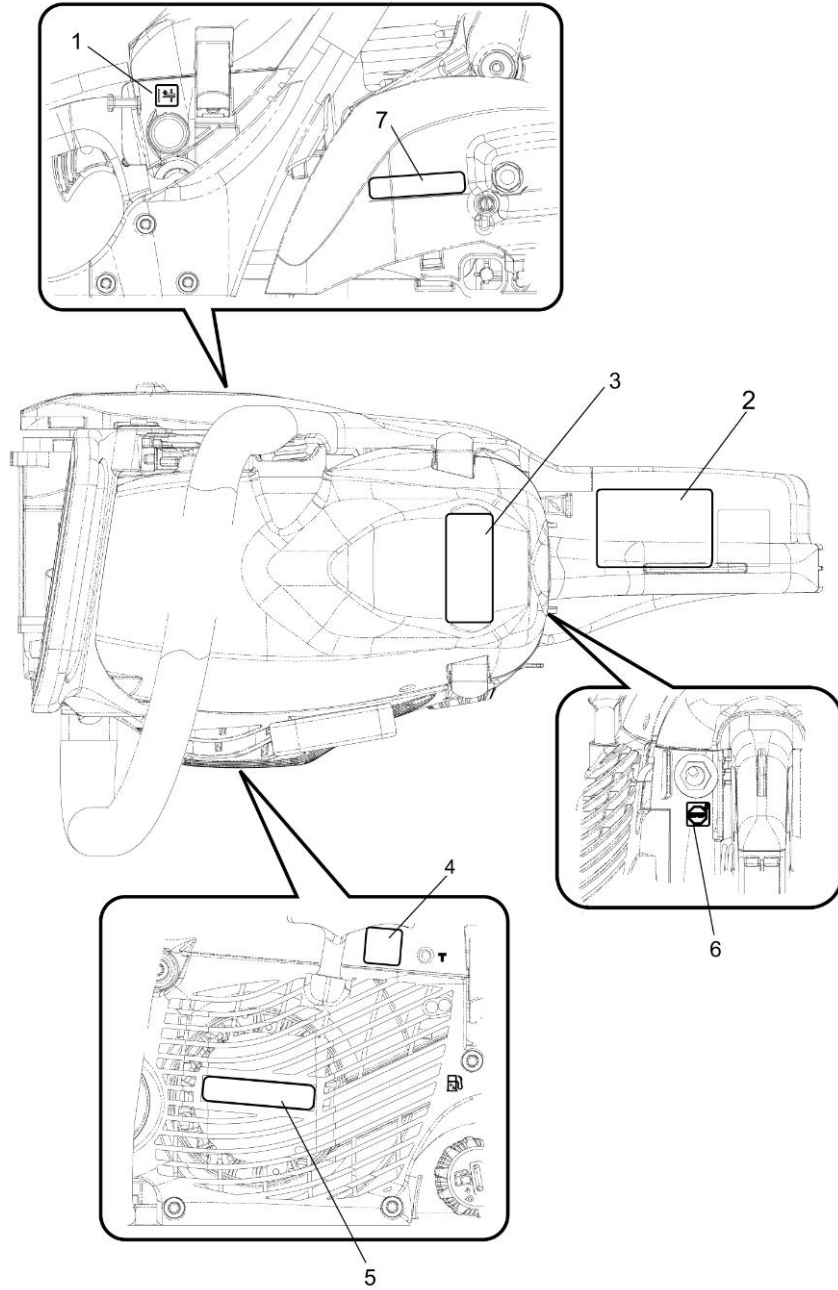
CLUTCH, SPROCKET



CLUTCH, SPROCKET

Key No.	LV (+)	Part No	Description	Qty	Standard
1		C320-000171	LEVER, BRAKE	1	
2		V356-000430	COLLAR,10	1	
3		V804-000000	BOLT, TORX 4	1	TT-4*12 DG 10.9
4		177214-03930	WASHER	1	
5		V804-000020	BOLT, TORX 4	1	TT-4*20 DG 10.9
6		V452-000250	SPRING,TORSION	1	
7		433116-35430	SPACER 8	1	8*12*9
8		C345-000271	COVER,BRAKE	1	
9		V804-000000	BOLT, TORX 4	2	TT-4*12 DG 10.9
10		C334-000100	CONNECTOR, BRAKE	1	
11		433116-35430	SPACER 8	1	8*12*9
12		93050-30098	ROLLER	1	F3*9.8
13		C328-000030	BAND,BRAKE	1	
14		V376-000450	SPACER	1	
15		V450-000070	SPRING,COMPRESSION	1	
16		A551-000080	PLATE, CLUTCH	1	
17		A551-000140	PLATE, CLUTCH	1	
18		A056-000210	CLUTCH ASY	1	
19	+	V451-000470	SPRING,TENSION	3	
20	+	P021-005810	CLUTCH SHOE SET	1	
21	+	A552-000100	HUB, CLUTCH	1	
22		175012-03930	BEARING, NEEDLE	1	
23		A556-000542	DRUM, CLUTCH	1	
24		100143-19830	WASHER	1	8.2*31*0.8
25		V583-000120	RING	1	
27		C300-000401	GUARD, SPROCKET	1	
28		V203-000110	BOLT,5	1	
29		C309-000030	TENSIONER,CHAIN	1	
30		V651-000011	GEAR,BEVEL	1	
31		V651-000001	GEAR,BEVEL	1	
32		V355-000140	COLLAR,8	1	
33		V804-000000	BOLT, TORX 4	1	TT-4*12 DG 10.9
34		433019-12330	NUT, FLANGE 8	2	M-8
35		V652-000040	GEAR,WORM	1	

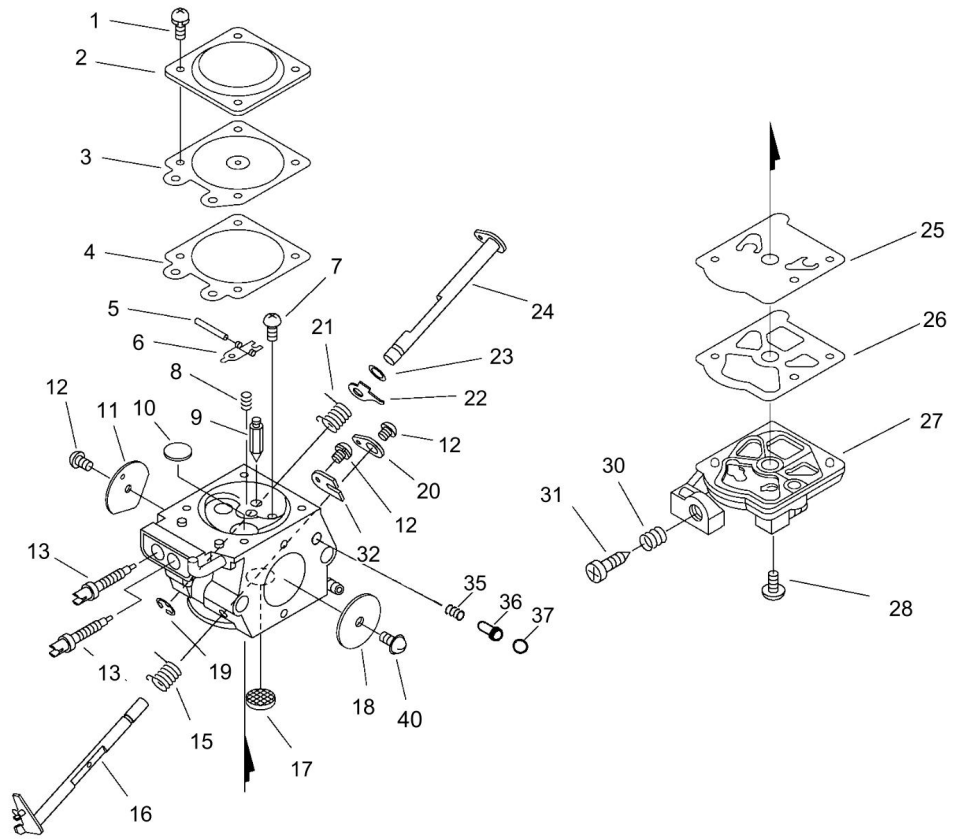
LABELS



LABELS

Key No.	LV (+)	Part No	Description	Qty	Standard
1		X524-001900	LABEL	1	
2		890345-39230	LABEL,CAUTION	1	
3		X503-010410	LABEL,MODEL	1	CS-352ES
4		890631-38130	LABEL, CAUTION	1	
5		X502-000670	LABEL,ECHO	1	
6		890157-39130	LABEL, SWITCH	1	
7		X502-000340	LABEL,ECHO	1	ECHO(WHITE)

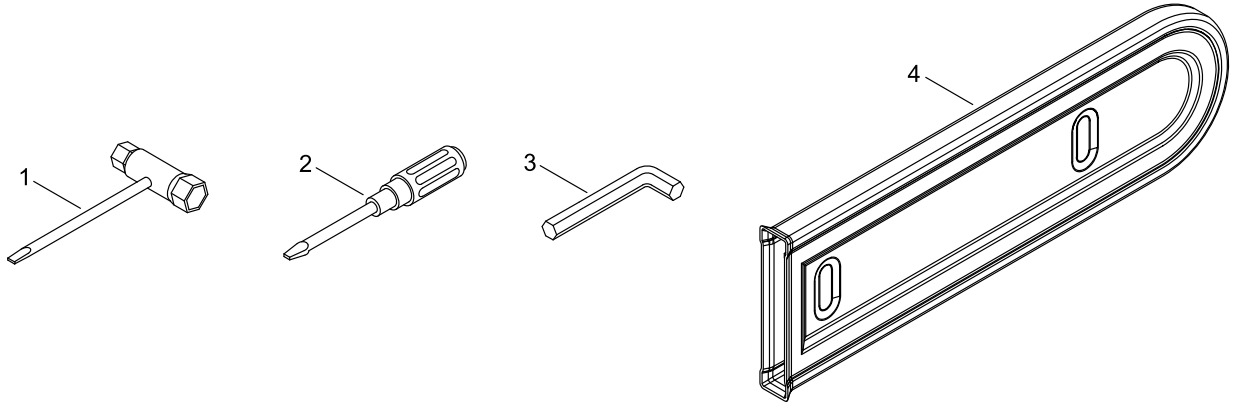
CARBURETOR



CARBURETOR

Key No.	LV (+)	Part No	Description	Qty	Standard
		A021-003340	CARBURETOR, DIAPHRAGM	1	WT-991
1	+	123130-02960	SCREW	4	
2	+	123142-03930	COVER, M. DIAPHRAGM	1	
3	+	P003-001850	DIAPHRAGM, METERING	1	
4	+	123140-03930	GASKET, M. DIAPHRAGM	1	
5	+	123138-03930	PIN, METERING LEVER	1	
6	+	123123-03930	LEVER, METERING	1	
7	+	123139-03930	SCREW, M. LEVER PIN	1	
8	+	123122-03660	SPRING, METER. LEVER	1	
9	+	123137-19830	VALVE, INLET NEEDLE	1	
10	+	123146-10631	PLUG, WELCH	1	
11	+	P003-002250	VALVE, CHOKE	1	
12	+	123114-38830	SCREW	3	
13	+	P003-004170	NEEDLE	2	
15	+	123113-37530	SPRING, THROTTLE RTN	1	
16	+	P003-002240	SHAFT ASY, THROTTLE	1	
17	+	123126-10631	SCREEN, INLET	1	
18	+	123116-23230	VALVE, THROTTLE	1	
19	+	123127-15030	RING	1	
20	+	P003-001040	LEVER THROTTLE	1	
21	+	P003-002260	SPRING	1	
22	+	P003-001510	LEVER-FAST IDLE	1	
23	+	123149-26030	WASHER	1	
24	+	P003-000150	CHOKE, SHAFT	1	
25	+	123112-15030	DIAPHRAGM, FUEL PUMP	1	
26	+	123125-15030	GASKET, FUEL PUMP	1	
27	+	123124-09520	COVER, FUEL PUMP	1	
28	+	123110-03930	SCREW, PUMP COVER	1	
30	+	123133-04260	SPRING, IDLE ADJUST	1	
31	+	123134-04260	SCREW, IDLE ADJUST	1	
32	+	123127-03930	CLIP, THROTTLE SHAFT	1	
35	+	123186-09660	SPRING, START VALVE	1	
36	+	123185-09660	PISTON ASSY	1	
37	+	123136-09660	BALL	1	
40	+	P003-002380	SCREW	1	

TOOLS



TOOLS

Key No.	LV (+)	Part No	Description	Qty	Standard
1		X602-000080	TOOL,WRENCH	1	13*19 L180
2		895812-03930	DRIVER, SCREW 50	1	
3		X605-000170	TOOL,L WRENCH	1	
4		X490-000510	SCABBARD,CHAIN	1	

GUIDE BAR, CHAIN

GUIDE BAR		CHAIN	
1A	30RC50M-3/8	2A	91VG-47E 30C
1B	35RC50M-3/8	2B	91VG-53E 35C
1C	30RC43S-3/8	2C	90SG-45E
		3C	91VX-47E
1D	35RC43S-3/8	2D	91VX-53E

GUIDE BAR, CHAIN

Key No.	LV (+)	Part No	Description	Qty	Standard
1A		X122-000071	BAR,GUIDE30RC50M-3/8	1	30RC50M-3/8 ECHO
2A		431010-39230	CHAIN, SAW 91VG-47E	1	91VG-47E 30C
1B		X123-000131	BAR,GUIDE35RC50M-3/8	1	35RC50M-3/8
2B		431019-39230	CHAIN, SAW 91VG-53E	1	91VG-53E 35C
1C		X122-000180	BAR,GUIDE 30	1	30RC43S-3/8 ECHO
2C		431010-60930	CHAIN, SAW	1	90SG-45E
3C		431010-39931	CHAIN, SAW 91VX-47E	1	91VX-47E
1D		X123-000230	BAR,GUIDE 35	1	35RC43S-3/8 ECHO
2D		431019-39931	CHAIN,SAW	1	91VX-53E

NUMERICAL PARTS INDEX

Part No	Part description	Page	Part No	Part description	Page	Part No	Part description	Page
100013-15330	PIN, PISTON	2	431010-39230	CHAIN, SAW 91VG-47E	20	A426-000020	TERMINAL,SPARKPLUG	6
100014-11520	SPACER, PISTON PIN	2	431010-39931	CHAIN, SAW 91VX-47E	20	A427-000020	CAP,SPARK PLUG	6
100015-04630	CIRCLIP, PISTON PIN	2	431010-60930	CHAIN, SAW	20	A440-001190	SWITCH, ON OFF	6
100142-12330	KEY, WOODRUFF	2	431019-39230	CHAIN, SAW 91VG-53E	20	A506-000460	REEL,ROPE	6
100143-19830	WASHER	12	431019-39931	CHAIN,SAW	20	A507-000110	CATCHER,PAWL	6
100927-35830	PIPE	8	433019-12330	NUT, FLANGE 8	12	A514-000020	PAWL	6
123110-03930	SCREW, PUMP COVER	16	433116-35430	SPACER 8	12	A551-000080	PLATE, CLUTCH	12
123112-15030	DIAPHRAGM, FUEL PUMP	16	436114-13930	VALVE, CHECK	8	A551-000140	PLATE, CLUTCH	12
123113-37530	SPRING, THROTTLE RTN	16	890157-39130	LABEL, SWITCH	14	A552-000100	HUB, CLUTCH	12
123114-38830	SCREW	16	890157-39131	LABEL, SWITCH	8	A556-000542	DRUM, CLUTCH	12
123116-23230	VALVE, THROTTLE	16	890345-39230	LABEL,CAUTION	14	C022-000071	AUTO-OILER ASSEMBLY	2
123122-03660	SPRING, METER. LEVER	16	890631-38130	LABEL, CAUTION	14	C300-000401	GUARD, SPROCKET	12
123123-03930	LEVER, METERING	16	890631-38131	LABEL, CAUTION	8	C309-000030	TENSIONER,CHAIN	12
123124-09520	COVER, FUEL PUMP	16	895812-03930	DRIVER, SCREW 50	18	C320-000171	LEVER, BRAKE	12
123125-15030	GASKET, FUEL PUMP	16	900345-40025	PIN, SPRING 4*25SUS	10	C328-000030	BAND,BRAKE	12
123126-10631	SCREEN, INLET	16	900515-00008	NUT, FLANGE 8	6	C334-000100	CONNECTOR, BRAKE	12
123127-03930	CLIP, THROTTLE SHAFT	16	900516-00005	NUT, FRANGE 5	4	C345-000271	COVER,BRAKE	12
123127-15030	RING	16	900603-00005	WASHER 5	6	C400-001030	HANDLE, FRONT	10
123130-02960	SCREW	16	900720-00018	O-RING	8	C410-000450	HANDLE, REAR	10
123133-04260	SPRING, IDLE ADJUST	16	93050-30098	ROLLER	12	C411-000040	LID,HANDLE	10
123134-04260	SCREW, IDLE ADJUST	16	94035-36201	BEARING BALL	2	C450-000212	CONTROL, THROTTLE	10
123136-09660	BALL	16	A021-003340	CARBURETOR, DIAPHRAGM	8	C454-000160	ROD, THROTTLE	10
123137-19830	VALVE, INLET NEEDLE	16	A021-003340	CARBURETOR, DIAPHRAGM	16	C460-000072	LOCKOUT, THROTTLE	10
123138-03930	PIN, METERING LEVER	16	A051-001301	STARTER,RECOIL ASY	6	C463-000030	KNOB, LATCH	2
123139-03930	SCREW, M. LEVER PIN	16	A056-000210	CLUTCH ASY	12	C617-000500	STOPPER	2
123140-03930	GASKET, M. DIAPHRAGM	16	A101-000580	RING, PISTON	2	J485-000200	HINGE	2
123142-03930	COVER, M. DIAPHRAGM	16	A160-002300	COVER,CYLINDER	8	P003-000150	CHOKE, SHAFT	16
123146-10631	PLUG, WELCH	16	A172-000830	COVER,FAN	6	P003-001040	LEVER THROTTLE	16
123149-26030	WASHER	16	A200-000352	INSULATOR, INTAKE	8	P003-001510	LEVER-FAST IDLE	16
123181-39130	PUMP, PRIMER	8	A202-000070	BELLOWS, INTAKE	2	P003-001850	DIAPHRAGM, METERING	16
123185-09660	PISTON ASSY	16	A204-000211	ELBOW, CARBURETOR	8	P003-002240	SHAFT ASY,THROTTLE	16
123186-09660	SPRING, START VALVE	16	A206-000000	HOLDER, BELLOWS	2	P003-002250	VALVE, CHOKE	16
130110-05260	PIPE, IMPULSE	8	A226-001420	ELEMENT, AIR FILTER	8	P003-002260	SPRING	16
130338-32430	PLUG, COVER	8	A241-000150	KNOB, CHOKE	8	P003-002380	SCREW	16
131004-37933	CAP ASY, FUEL	8	A300-000830	MUFFLER, EXHAUST	4	P003-004170	NEEDLE	16
131205-14930	STRAINER,FUEL	8	A310-000060	SCREEN, ARRESTOR	4	P021-005581	CAP ASY	8
132013-09820	CLIP	8	A313-001120	GUIDE, EXHAUST	4	P021-005810	CLUTCH SHOE SET	12
132115-01461	GROMMET	8	A356-000030	VALVE,CHECK	8	P021-015072	CRANKSHAFT,ASSY	2
132115-44330	GROMMET	8	A356-000031	VALVE,CHECK	8	P021-035190	CRANKCASE KIT	2
150117-16430	SPACER	6	A365-000050	CONNECTOR,CAP	8	P021-035200	PISTON KIT	2
175012-03930	BEARING, NEEDLE	12	A369-000420	STRAINER, FUEL	8	P021-036930	COVER, ENGINE	2
177214-03930	WASHER	12	A409-000350	ROTOR, MAGNETO	6	P022-001330	SPRING KIT, REWIND	6
177234-35430	SPRING, RETURN	6	A411-001180	COIL, IGNITION	6	P022-005891	GRIP, STARTER	6
177236-61830	SCREW	6	A425-000000	SPARKPLUG	6	P022-008440	ROPE, STARTER	6
177247-04630	SPACER, RATCHET	6			6	V104-000732	GASKET,EXHAUST	4

NUMERICAL PARTS INDEX

Part No	Part description	Page	Part No	Part description	Page
V130-000010	GROMMET,CHOKE	8	V805-000180	BOLT, TORX 5	2
V137-000000	GROMMET,FUEL	8	V805-000210	BOLT, TORX 5	6
V186-000020	JOINT,PIPE	8	V805-000220	BOLT, TORX 5	2
V203-000080	BOLT,5	6	X122-000071	BAR,GUIDE30RC50M-3/8	20
V203-000110	BOLT,5	12	X122-000180	BAR,GUIDE 30	20
V203-000120	BOLT,5	4	X123-000131	BAR,GUIDE35RC50M-3/8	20
V225-000030	BOLT,STUD 8	2	X123-000230	BAR,GUIDE 35	20
V341-000120	WASHER,SQUARE	8	X490-000510	SCABBARD,CHAIN	18
V355-000140	COLLAR,8	12	X502-000340	LABEL,ECHO	14
V356-000430	COLLAR,10	12	X502-000670	LABEL,ECHO	14
V376-000450	SPACER	12	X503-010410	LABEL,MODEL	8
V420-001790	CUSHION	8	X503-010410	LABEL,MODEL	14
V450-000070	SPRING,COMPRESSION	12	X524-001900	LABEL	14
V450-000710	SPRING,COMPRESSION	10	X524-001901	LABEL	8
V450-001610	SPRING,COMPRESSION	10	X602-000080	TOOL,WRENCH	18
V450-001620	SPRING,COMPRESSION	10	X605-000170	TOOL,L WRENCH	18
V451-000470	SPRING,TENSION	12			
V452-000250	SPRING,TORSION	12			
V452-000260	SPRING,TORSION	10			
V452-001320	SPRING,TORSION	6			
V456-000240	HOLDER,SPRING	2			
V470-000810	PIPE	8			
V471-001280	PIPE	8			
V471-001560	PIPE	8			
V471-002170	PIPE	8			
V485-001070	LEAD	6			
V485-001080	LEAD	6			
V490-000400	CLIP	2			
V505-000011	SEAL,OIL 12	2			
V581-000610	RING,O	8			
V583-000120	RING	12			
V622-000070	PIN,STRAIGHT 4	2			
V651-000001	GEAR,BEVEL	12			
V651-000011	GEAR,BEVEL	12			
V652-000040	GEAR,WORM	12			
V804-000000	BOLT, TORX 4	12			
V804-000020	BOLT, TORX 4	12			
V804-000030	BOLT, TORX 4	4			
V805-000000	BOLT, TORX 5	8			
V805-000000	BOLT, TORX 5	10			
V805-000010	BOLT, TORX 5	6			
V805-000010	BOLT, TORX 5	8			
V805-000010	BOLT, TORX 5	10			
V805-000040	BOLT, TORX 5	8			
V805-000140	BOLT, TORX 5	2			