

362TS

Serial Number

38000001-38999999

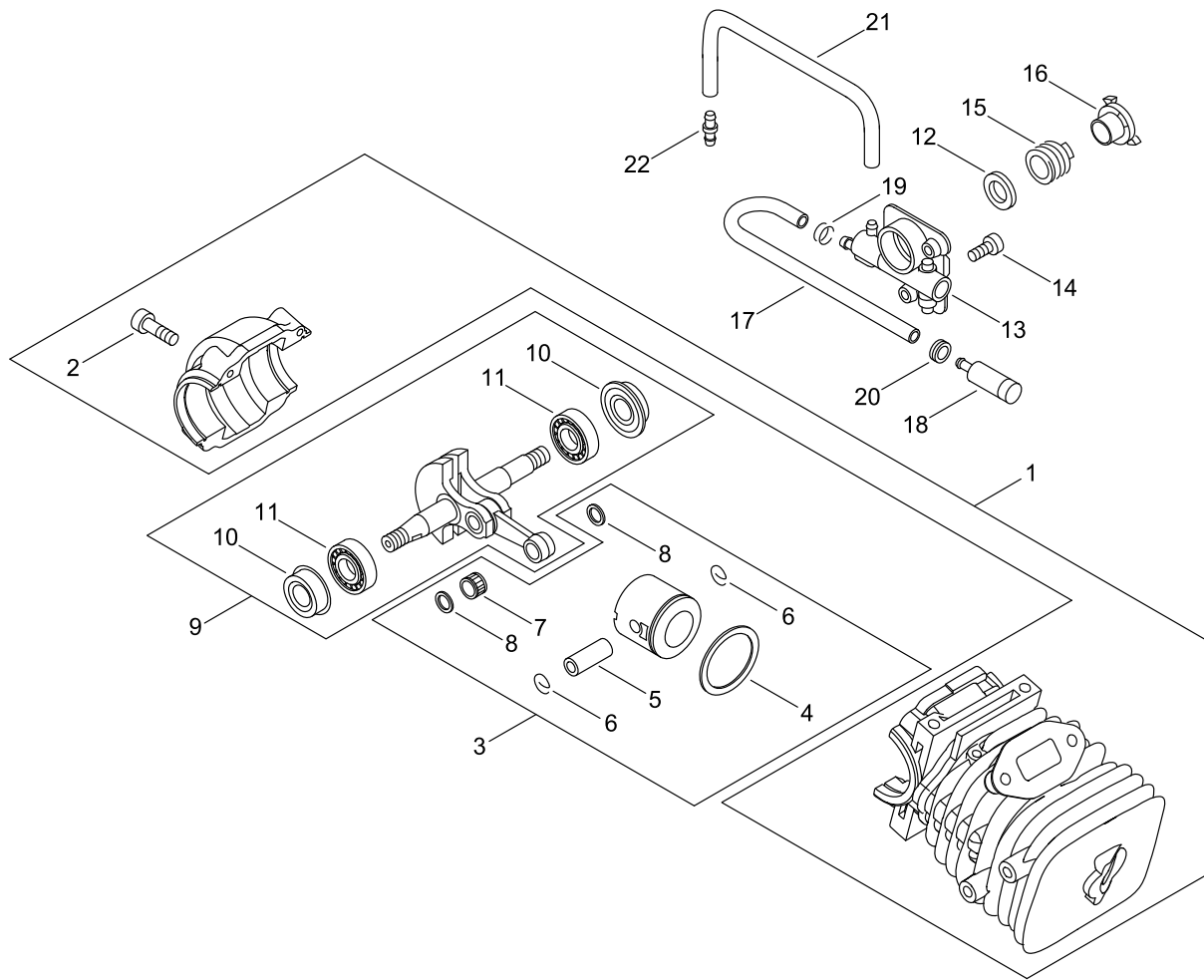
Last updated date

01/Oct/2021

TABLE OF CONTENTS

CYLINDER, PISTON, CRANKSHAFT	1
ENGINE COVER.....	3
MAGNETO.....	5
AIR CLEANER, CARBURETOR.....	7
CARBURETOR.....	9
MUFFLER.....	11
RECOIL STARTER.....	13
HANDLE.....	15
CHAIN BRAKE.....	17
ACCESSORIES	19
OILER.....	21
GUIDE BAR, CHAIN.....	23

CYLINDER, PISTON, CRANKSHAFT



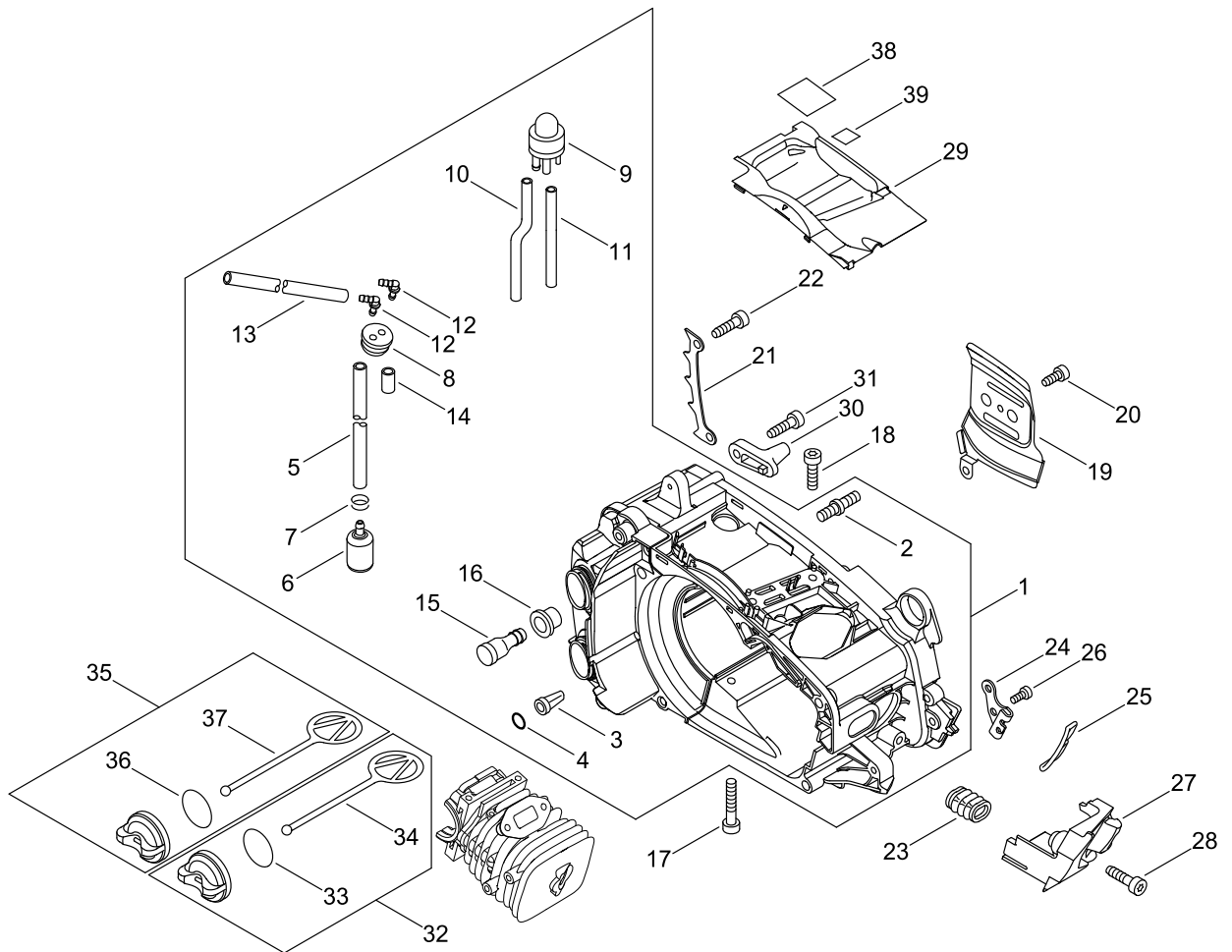
CYLINDER, PISTON, CRANKSHAFT

Key No.	LV (+)	Parts Number	Parts Description	Qty	Standard	Class
1		P100-007010	CRANKCASE SET	1		
2	+	V805-000210	BOLT, TORX 5	4	TB-5*20 12.9	C
3		P021-045440	PISTON KIT	1		
4	+	A101-000670	RING, PISTON	1	39*1.2*1.7	B
5	+	100013-15330	PIN, PISTON	1	5.5*8*29	D
6	+	100015-04630	CIRCLIP, PISTON PIN	2		C
7	+	V553-000130	BEARING, NEEDLE 8	1		B
8	+	100014-60930	SPACER, PISTON PIN	2		C
9		P021-039160	CRANKSHAFT ASY	1		
10	+	V505-000011	SEAL, OIL 12	2	12*32*5.5	C
11	+	94035-36201	BEARING, BALL	2	6201	
12		V308-000030	WASHER, CIRCULAR 11	1	10.5*17.4*1.8	C
13		C022-000020	AUTO-OILER ASSEMBLY	1	OP-7	C
14		V804-000050	BOLT, TORX 4	2	TB-4*12 10.9	C
15		V652-000030	GEAR, WORM	1		B
16		V356-000290	COLLAR, 10	1		C
17		V471-000741	PIPE	1	3*6*160	C
18		P100-001900	STRAINER, OIL	1		
19		V490-001230	CLIP	1		C
20		132115-01462	GROMMET	1		C
21		132012-11961	PIPE	1	3*6*45	C
22		V187-000010	NIPPLE	1		C

Class : Consumable class

A:Fast moving parts B:Semi-fast moving parts C:Slow moving parts D:Order only as needed

ENGINE COVER



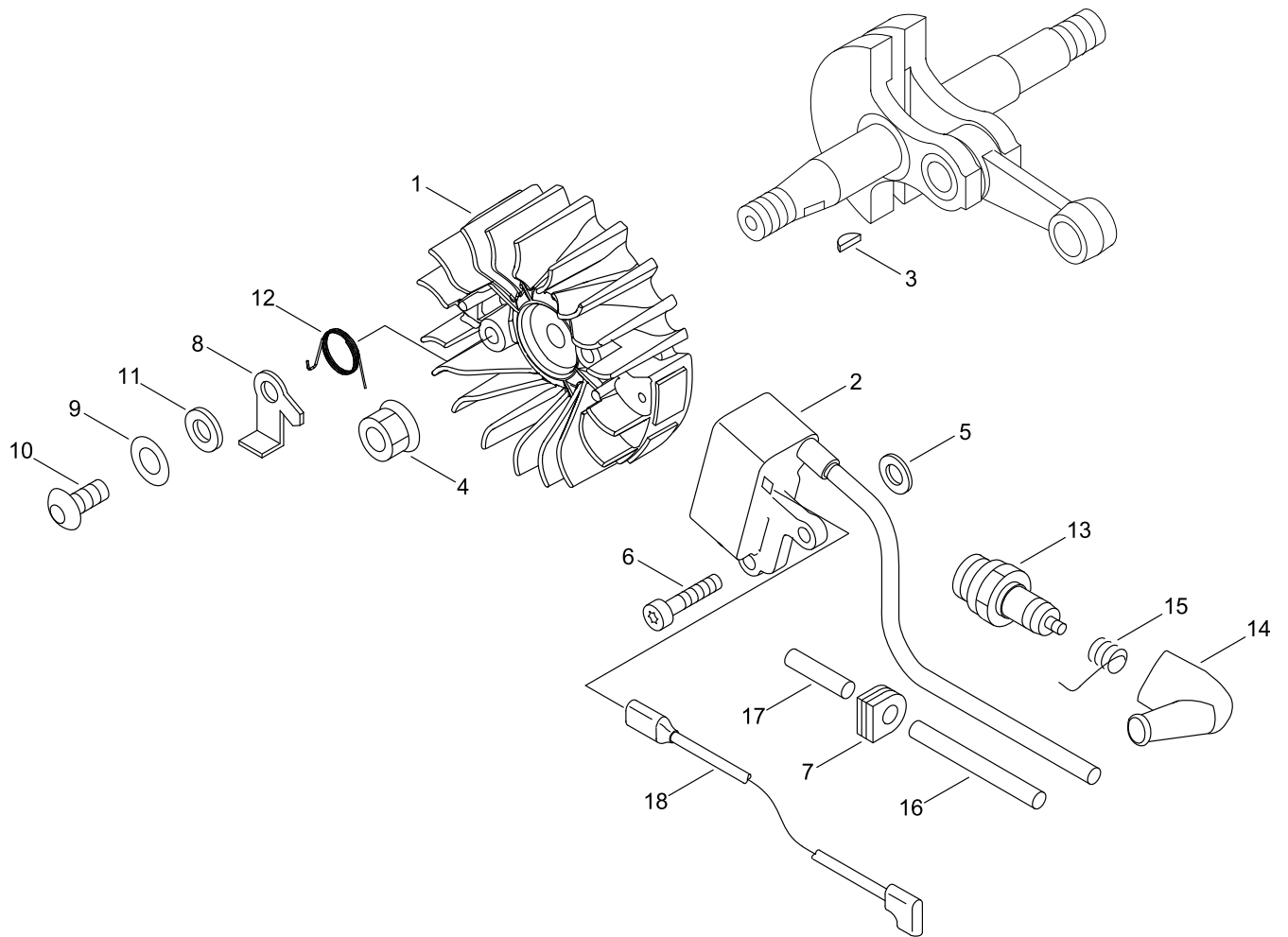
ENGINE COVER

Key No.	LV (+)	Parts Number	Parts Description	Qty	Standard	Class
1		P100-007160	COVER ENGINE ASY	1		
2	+	V225-000262	BOLT,STUD 8	2		C
3	+	436114-13930	VALVE, CHECK	1		B
4	+	900724-00004	O-RING	1	S-4	
5	+	V471-002291	PIPE	1	3*5*140	C
6	+	A369-000420	STRAINER, FUEL	1	ES-16499	A
7	+	V490-001240	CLIP	1		C
8	+	132115-44331	GROMMET, FUEL	1		C
9	+	123181-39130	PUMP, PRIMER	1		
10	+	V471-003401	PIPE	1	2.4*5*180	C
11	+	V471-003381	PIPE	1	2.4*5*400	C
12	+	V186-000530	JOINT,PIPE	2		C
13	+	V471-003411	PIPE	1	3*5*265	C
14	+	V471-003391	PIPE	1	2.4*5*15	C
15	+	131300-56431	VENT ASSEMBLY, FUEL	1		B
16	+	V137-000001	GROMMET,FUEL	1		C
17		V805-000180	BOLT, TORX 5	2	TB-5*30 12.9	C
18		V805-000210	BOLT, TORX 5	2	TB-5*20 12.9	C
19		C305-000430	PLATE,SPROCKET GUARD	1		C
20		V804-000000	BOLT, TORX 4	1	TT-4*12 DG 10.9	C
21		C304-000000	SPIKE	1		C
22		V805-000010	BOLT, TORX 5	1	TT-5*20 DG 10.9	C
23		A239-000000	PIPE,INTAKE	1		C
24		C626-000070	FIXTURE, HARNESS	1		C
25		C646-000100	RING, HARNESS	1		C
26		V805-000140	BOLT, TORX 5	1	TB-5*12 10.9	C
27		A429-000160	COVER,CAP	1		C
28		V805-000010	BOLT, TORX 5	1	TT-5*20 DG 10.9	C
29		A127-000411	COVER,DUST	1		C
30		433026-35430	CATCHER, CHAIN	1		B
31		V805-000010	BOLT, TORX 5	1	TT-5*20 DG 10.9	C
32		P021-005581	CAP ASY	1		C
33	+	900720-00018	O-RING	1	P-18	
34	+	A365-000050	CONNECTOR,CAP	1		B
35		P021-005601	CAP ASY	1		
36	+	900720-00018	O-RING	1	P-18	
37	+	A365-000050	CONNECTOR,CAP	1		B
38		X505-002441	LABEL,CAUTION	1		D
39		X505-000181	LABEL,CAUTION	1		D

Class : Consumable class

A:Fast moving parts B:Semi-fast moving parts C:Slow moving parts D:Order only as needed

MAGNETO



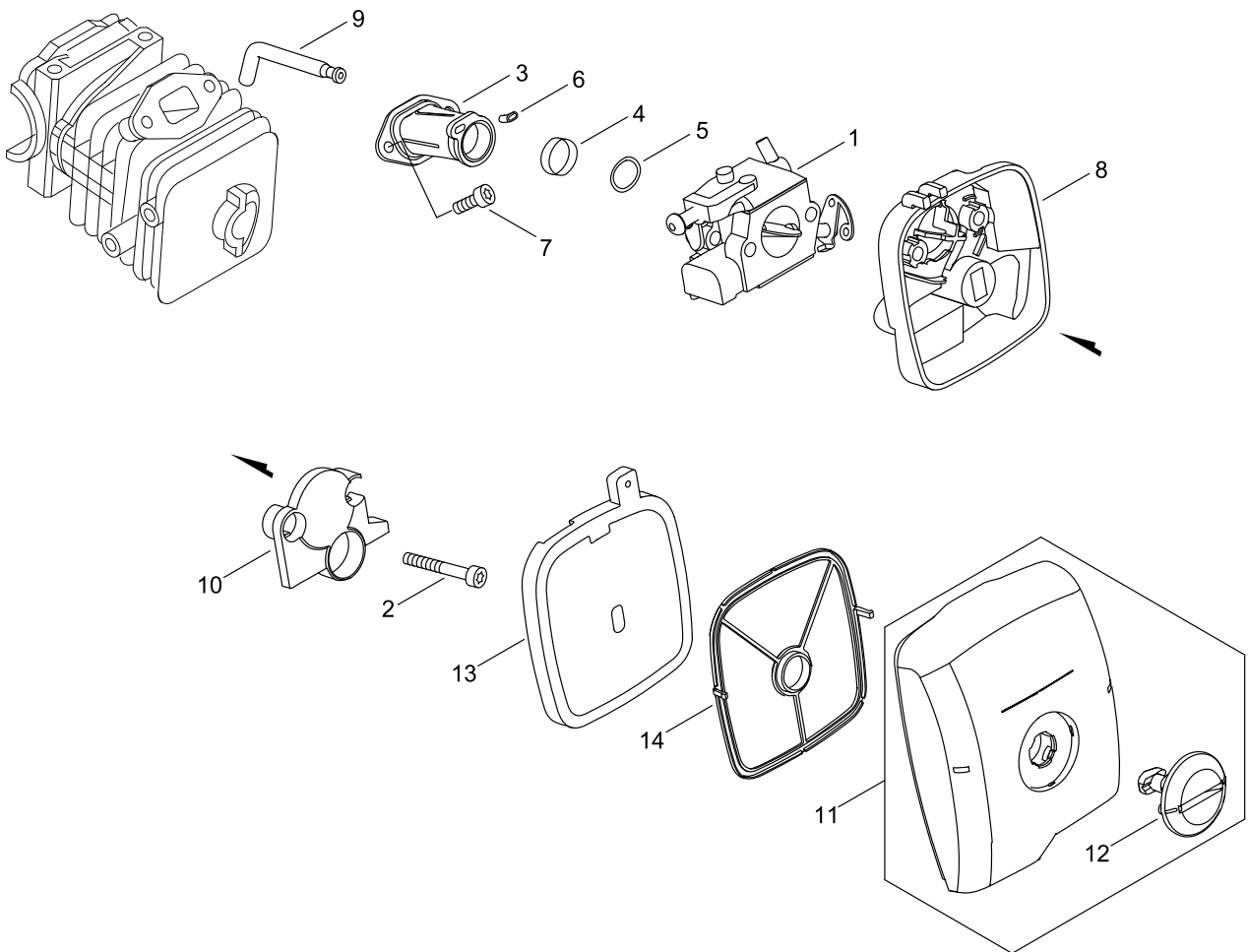
MAGNETO

Key No.	LV (+)	Parts Number	Parts Description	Qty	Standard	Class
1		A409-001240	ROTOR, MAGNETO	1		C
2		A411-001501	COIL, IGNITION	1	OPPAMA ID#A10051	C
3		100142-12330	KEY, WOODRUFF	1		C
4		900515-00008	NUT, FLANGE 8	1	8	
5		150117-16430	SPACER	2		C
6		V805-000210	BOLT, TORX 5	2	TB-5*20 12.9	C
7		156110-04920	BUSHING	1		C
8		A514-000270	PAWL	2		C
9		900603-00005	WASHER 5	2	5.5*12*0.8	
10		V203-000080	BOLT,5	2	5*14	C
11		177247-04630	SPACER, RATCHET	2	5.2*8*2.1	C
12		177234-35430	SPRING, RETURN	2		B
13		A425-000000	SPARKPLUG	1	BPMR8Y	A
14		A427-000013	CAP,SPARK PLUG	1		C
15		A426-000010	TERMINAL,SPARKPLUG	1		C
16		V475-002390	TUBE	1		C
17		V475-001900	TUBE	1	7*8.6*30	C
18		V485-002430	LEAD	1		C

Class : Consumable class

A:Fast moving parts B:Semi-fast moving parts C:Slow moving parts D:Order only as needed

AIR CLEANER, CARBURETOR



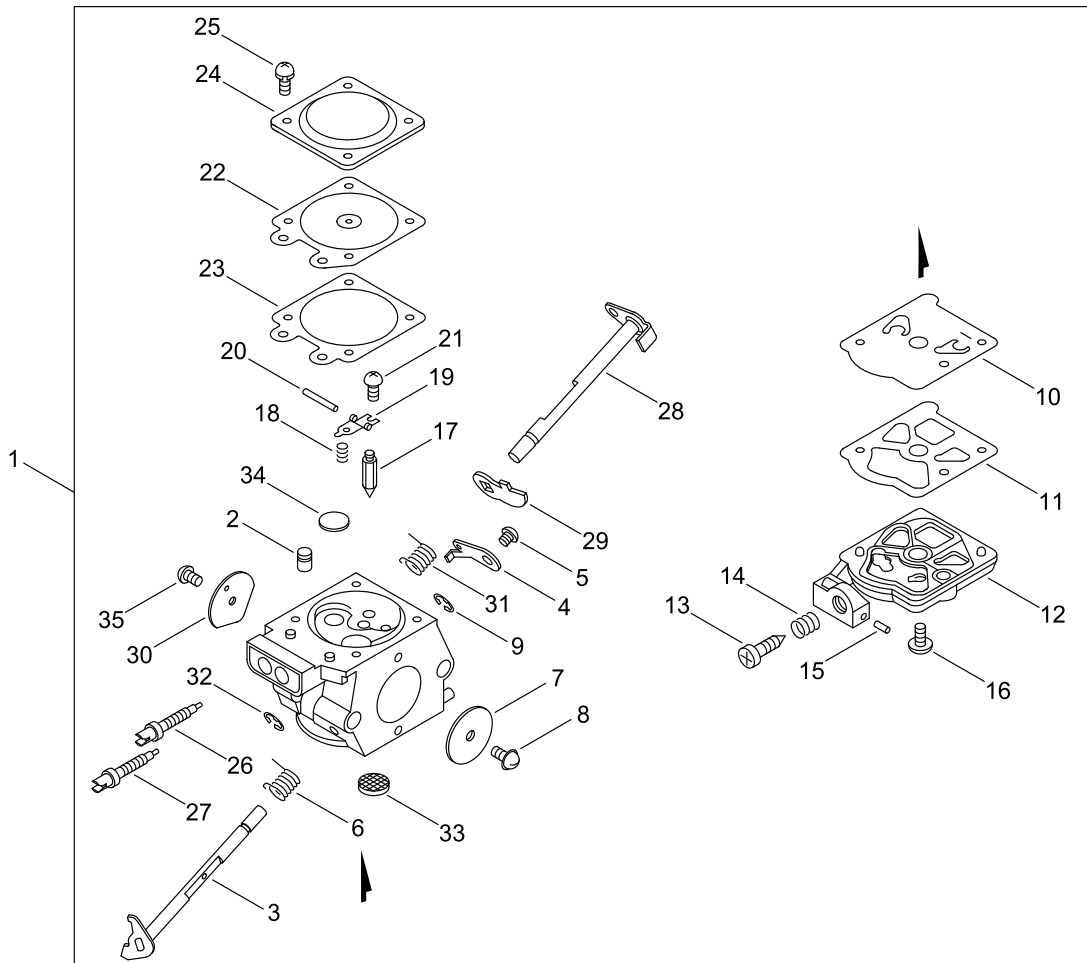
AIR CLEANER, CARBURETOR

Key No.	LV (+)	Parts Number	Parts Description	Qty	Standard	Class
1		A021-004210	CARBURETOR,DIAPHRAGM	1	ZAMA	B
2		V805-000080	BOLT, TORX 5	2	TB-5*50 10.9	C
3		A202-000231	BELLOWS, INTAKE	1		C
4		V451-001411	SPRING,TENSION	1		B
5		V311-000170	WASHER,CIRCULAR 16-1	1	T1.2	C
6		V351-000000	COLLAR,3	1	3.2*6.5	C
7		V805-000140	BOLT, TORX 5	2	TB-5*12 10.9	C
8		A225-000611	CASE,CLEANER	1		C
9		V470-001910	PIPE	1		C
10		A244-000280	PLATE, PREVENT	1		C
11		P100-007170	CLEANER COVER ASY	1		
12	+	A235-000480	KNOB,CLEANER LID	1		C
13		A226-001820	ELEMENT, AIR FILTER	1		A
14		A228-000030	SEAL,CLEANER	1		A

Class : Consumable class

A:Fast moving parts B:Semi-fast moving parts C:Slow moving parts D:Order only as needed

CARBURETOR



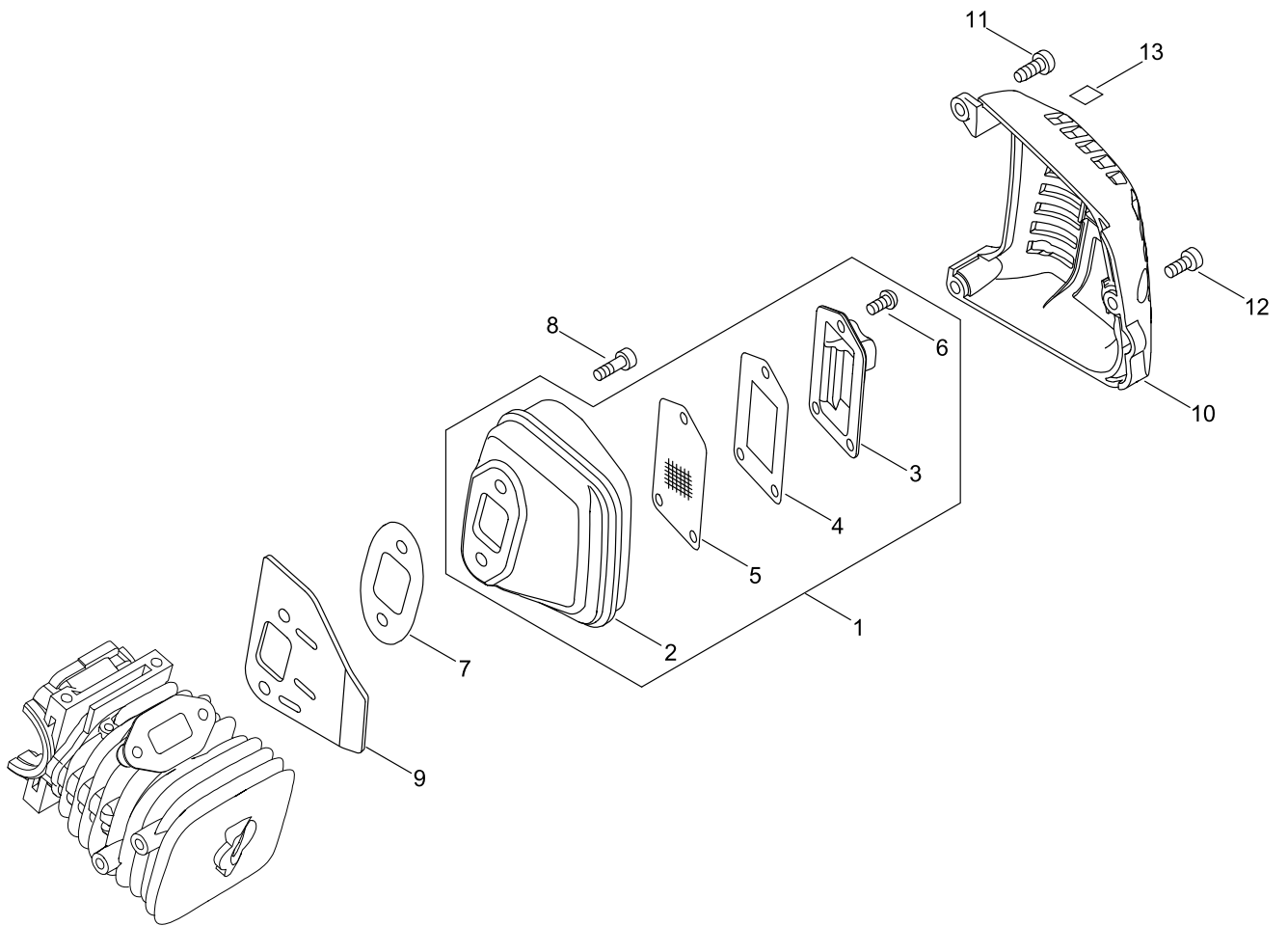
CARBURETOR

Key No.	LV (+)	Parts Number	Parts Description	Qty	Standard	Class
1		A021-004210	CARBURETOR,DIAPHRAGM	1	ZAMA	B
2	+	P005-003130	NOZZLE, CHECK VALVE	1		
3	+	P005-003140	SHAFT ASY,THROTTLE	1		
4	+	P005-003150	LEVER, THROTTLE	1		
5	+	125348-13930	SCREW	1		D
6	+	P005-000790	SPRING,THRT.RETURN	1		
7	+	P005-003160	VALVE, THROTTLE	1		
8	+	P005-003170	SCREW	1		
9	+	125327-13930	CLIP	1		
10	+	P005-001110	DIAPHRAGM, PUMP	1		
11	+	125325-08360	GASKET, PUMP	1		
12	+	P005-003180	COVER, PUMP	1		
13	+	125334-06960	SCREW,THROTTLEADJUST	1		
14	+	125333-33330	SPRING, IDLE ADJUST	1		
15	+	125378-13930	PIECE, FRICTION	1		
16	+	125310-13930	SCREW	1		
17	+	125337-08260	VALVE, INLET NEEDLE	1		D
18	+	125322-13930	SPRING, COIL	1		
19	+	125323-08260	ARM, VALVE	1		
20	+	125338-13930	PIN, METERING ARM	1		
21	+	125339-13930	SCREW	1		
22	+	P005-003190	DIAPHRAGM ,METERING	1		
23	+	P005-003200	GASKET, METERING	1		A
24	+	P005-003210	COVER, METERING	1		D
25	+	P005-003220	SCREW	4		
26	+	P005-002370	NEEDLE, HIGH SPEED	1		D
27	+	P005-002380	NEEDLE, IDLE	1		D
28	+	P005-002390	SHAFT, CHOKE	1		
29	+	P005-003230	LEVER, CHOKE	1		
30	+	P005-003240	VALVE, CHOKE	1		
31	+	P005-000880	SPRING, CHOKE RETURN	1		
32	+	125327-15130	CLIP	1		
33	+	P005-000860	SCREEN, FUEL INLET	1		
34	+	P005-002400	PLUG, WELCH	1		
35	+	125314-51230	SCREW	1	3*4.5	

Class : Consumable class

A:Fast moving parts B:Semi-fast moving parts C:Slow moving parts D:Order only as needed

MUFFLER



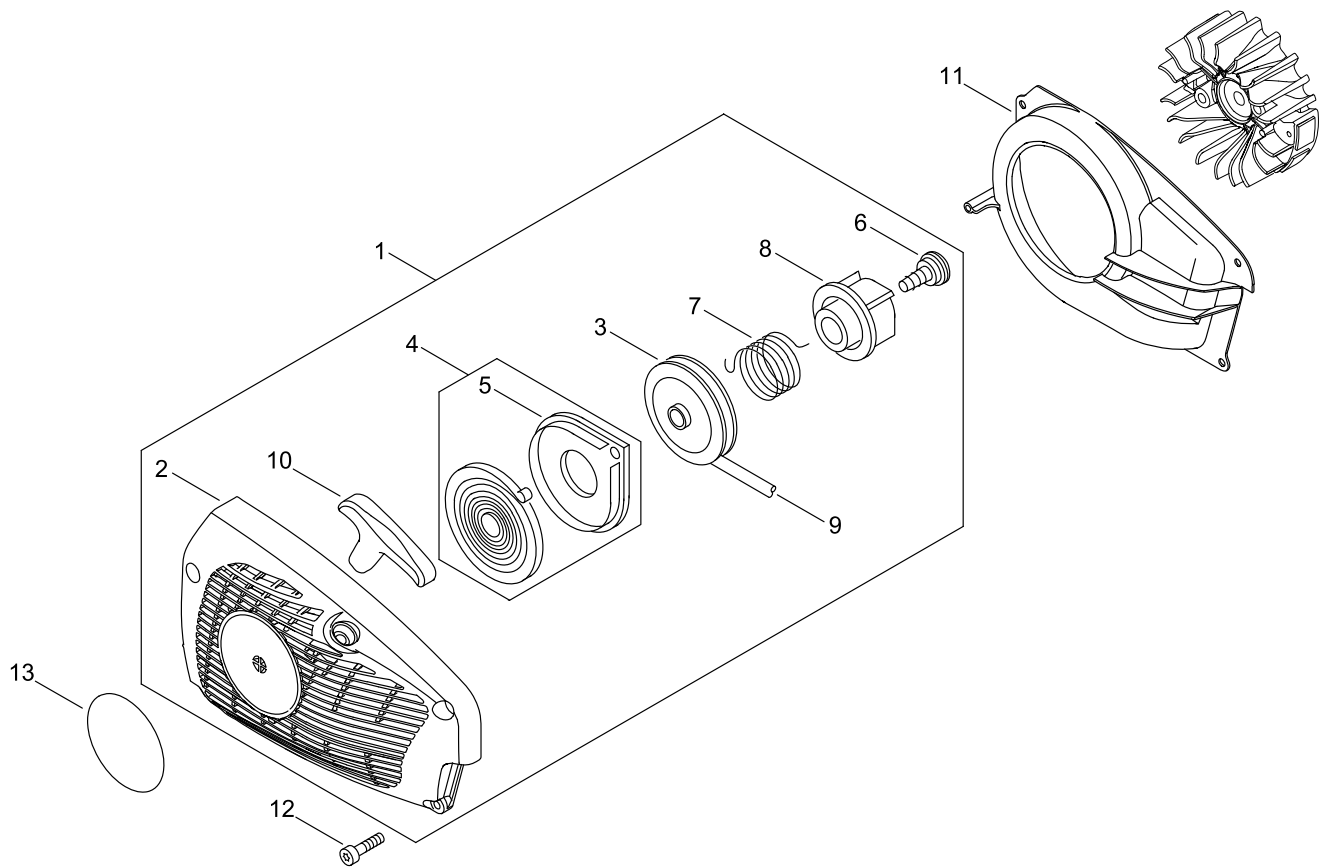
MUFFLER

Key No.	LV (+)	Parts Number	Parts Description	Qty	Standard	Class
1		P021-045451	MUFFLER ASY	1		
2	+	A300-001841	MUFFLER, EXHAUST	1	T:0.6	C
3	+	A313-001980	GUIDE, EXHAUST	1	ID # 2140	C
4	+	V104-001980	GASKET,EXHAUST	1		A
5	+	A310-000431	SCREEN, ARRESTOR	1		B
6	+	900242-04010	SCREW 4*10	3	4*10	
7		V104-001960	GASKET,EXHAUST	1		A
8		V805-000250	BOLT, TORX 5	2	TB-5*16 12.9	C
9		A312-000070	PLATE, EXHUST	1		C
10		A320-001090	COVER,MUFFLER	1	FOR CAT MUFF	C
11		V805-000010	BOLT, TORX 5	2	TT-5*20 DG 10.9	C
12		V805-000150	BOLT, TORX 5	1	TB-5*16 10.9	C
13		X505-007710	LABEL,CAUTION	1		D

Class : Consumable class

A:Fast moving parts B:Semi-fast moving parts C:Slow moving parts D:Order only as needed

RECOIL STARTER



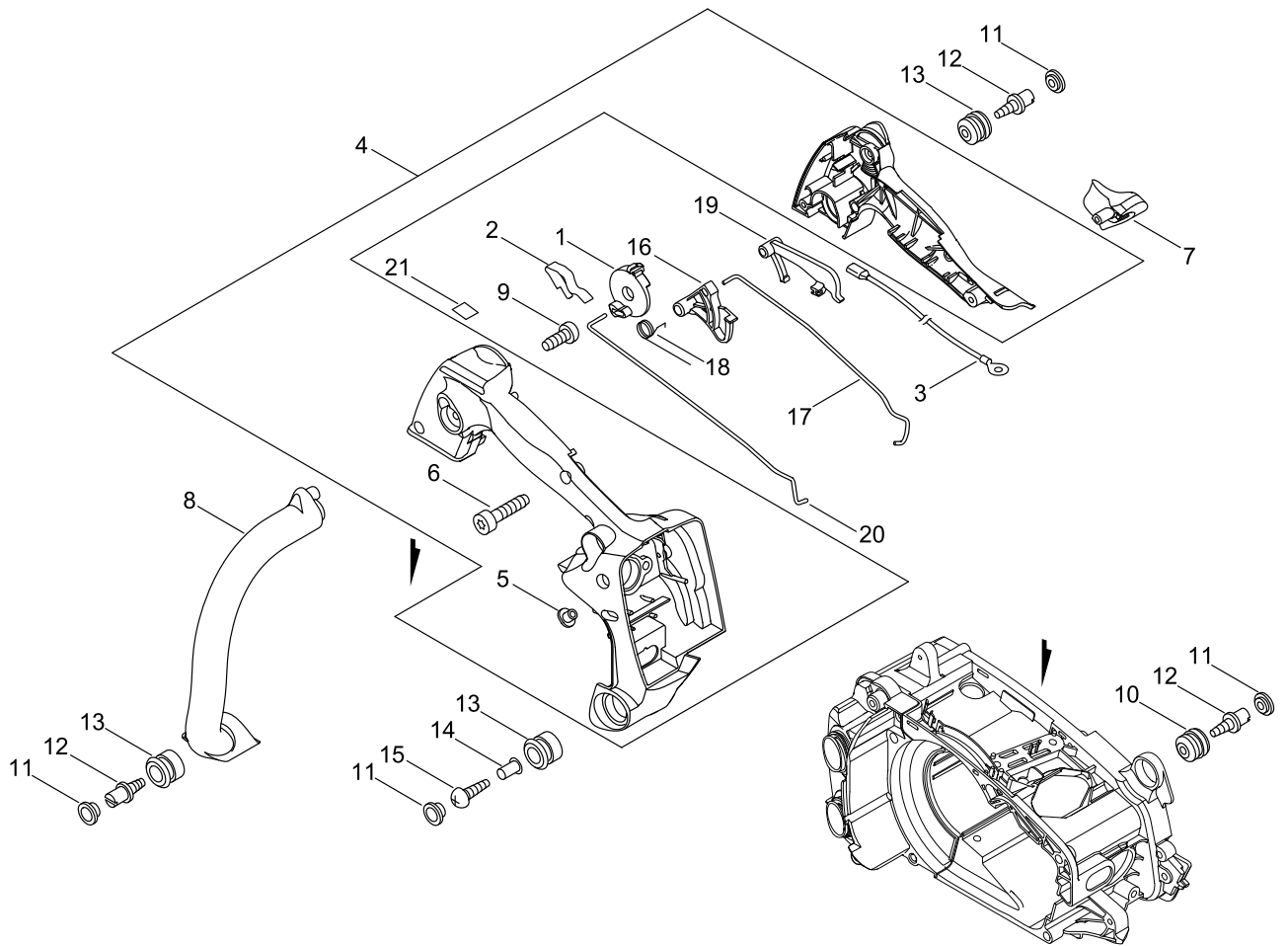
RECOIL STARTER

Key No.	LV (+)	Parts Number	Parts Description	Qty	Standard	Class
1		A051-002921	STARTER,RECOIL	1		B
2	+	P022-043730	CASE,STARTER ASY	1		
3	+	P022-036660	DRUM, STARTER	1		
4	+	P022-001330	SPRING KIT, REWIND	1		
5	++	P022-033280	SPRING CASE	1		
6	+	177236-61830	SCREW	1		
7	+	P022-036670	SPRING,DAMPER	1		
8	+	P022-036680	PLATE, CAM	1		
9	+	P022-008440	ROPE, STARTER	1	3.5*900	
10	+	P022-005891	GRIP, STARTER	1		
11		A172-002091	COVER,FAN	1		C
12		V804-000060	BOLT, TORX 4	4	TB-4*16 10.9	C
13		X562-001240	LABEL,SHINDAIWA	1	362TS RECOIL	D

Class : Consumable class

A:Fast moving parts B:Semi-fast moving parts C:Slow moving parts D:Order only as needed

HANDLE



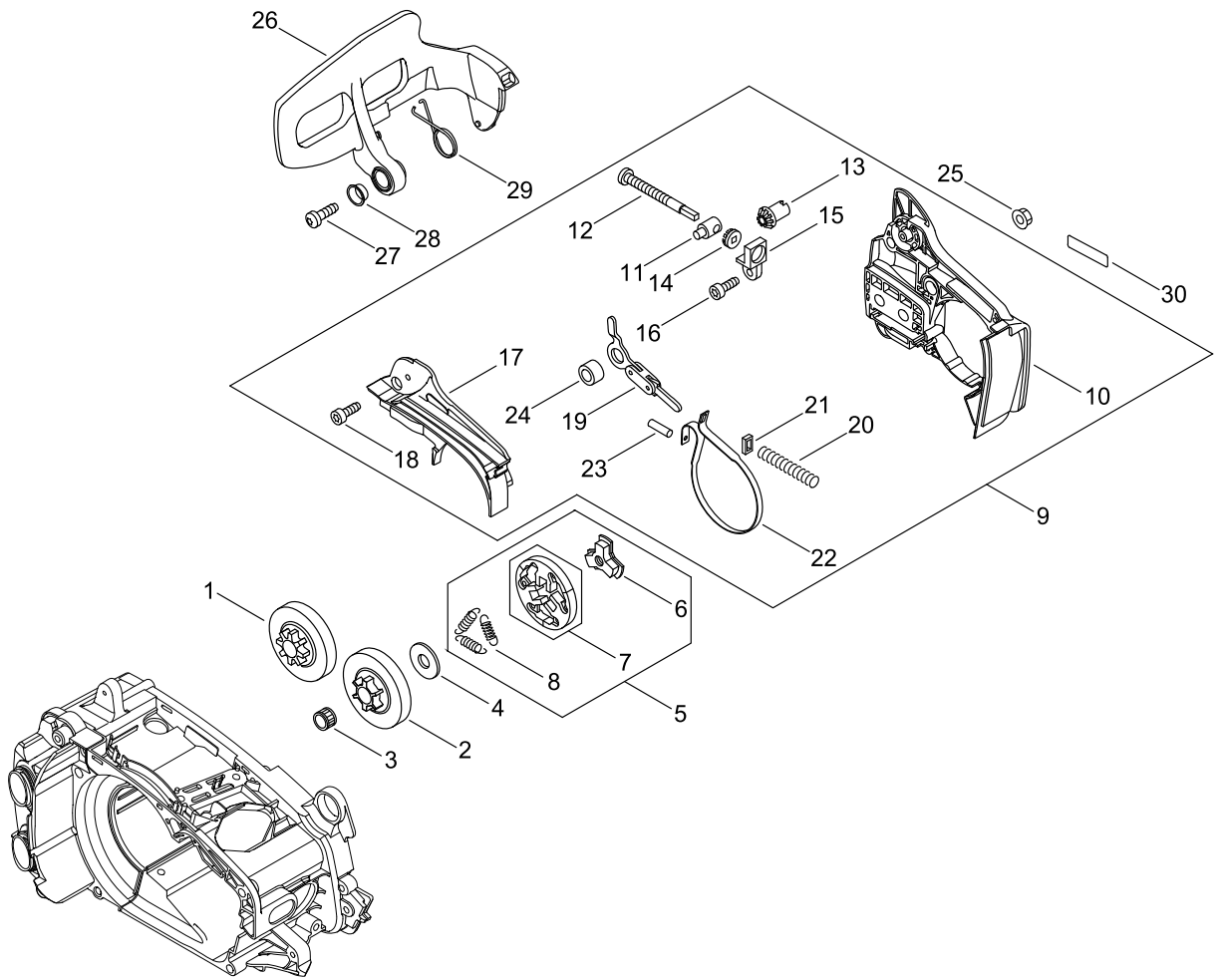
HANDLE

Key No.	LV (+)	Parts Number	Parts Description	Qty	Standard	Class
1		A253-000170	LEVER,CONTROL	1		C
2		V486-000371	TERMINAL,LEAD	1		C
3		V485-002441	LEAD	1		C
4		P021-041820	HANDLE SET, REAR	1		
5	+	130020-33330	NUT	2		C
6	+	V804-000010	BOLT, TORX 4	4	TT-4*16 DG 10.9	C
7		C401-000350	PIECE,HANDLE	1		D
8		C400-001150	HANDLE, FRONT	1		C
9		V805-000010	BOLT, TORX 5	1	TT-5*20 DG 10.9	C
10		100910-18830	CUSHION	1		B
11		100918-15130	CAP	4		C
12		V202-000000	BOLT,4	3		C
13		V400-000070	CUSHION,4	3		B
14		V352-000020	COLLAR,4	1		C
15		91481-04035	SCREW TAPPING	1		
16		C450-001060	TRIGGER,THROTTLE	1		C
17		C454-000491	ROD, THROTTLE	1		C
18		V452-000010	SPRING,TORSION	1		B
19		C460-000022	LOCKOUT,THROTTLE	1		C
20		A240-000200	ROD, CHOKE	1		C
21		890157-39131	LABEL, SWITCH	1		D

Class : Consumable class

A:Fast moving parts B:Semi-fast moving parts C:Slow moving parts D:Order only as needed

CHAIN BRAKE



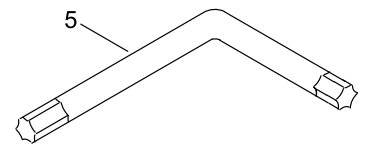
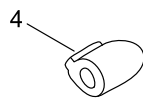
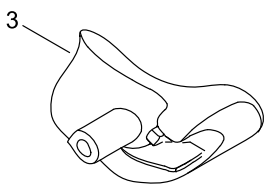
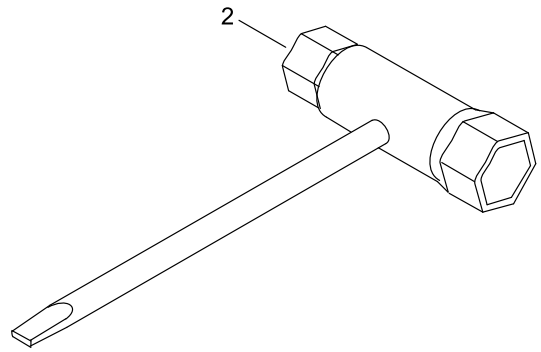
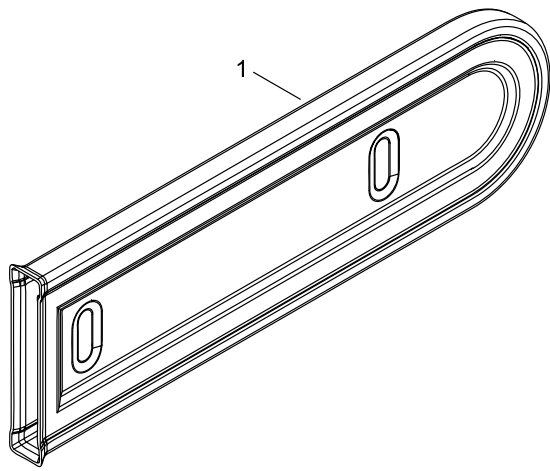
CHAIN BRAKE

Key No.	LV (+)	Parts Number	Parts Description	Qty	Standard	Class
1		175005-39133	DRUM, CLUTCH	1	3/8 6T	B
2		175007-39233	DRUM, CLUTCH 1/4	1	1/4 8T	B
3		V555-000170	BEARING, NEEDLE 10	1	8E-KV10*13*12.8	B
4		A551-000010	PLATE, CLUTCH	1		C
5		A056-000071	CLUTCH	1		B
6		A552-000020	HUB, CLUTCH	1		B
7		P021-005811	CLUTCH SHOE SET	1		
8		V451-000470	SPRING, TENSION	3		B
9		P021-050000	GUARD, SPROCKET ASY	1		
10	+	C300-001020	GUARD, SPROCKET	1		C
11	+	C309-000030	TENSIONER, CHAIN	1		C
12	+	V203-000041	BOLT, 5	1		C
13	+	V651-000001	GEAR, BEVEL	1		D
14	+	V651-000011	GEAR, BEVEL	1		D
15	+	V355-000140	COLLAR, 8	1		C
16	+	V804-000000	BOLT, TORX 4	1	TT-4*12 DG 10.9	C
17	+	C345-000590	COVER, BRAKE	1		C
18	+	V804-000000	BOLT, TORX 4	3	TT-4*12 DG 10.9	C
19	+	C334-000290	CONNECTOR, BRAKE	1		C
20	+	V450-000070	SPRING, COMPRESSION	1		B
21	+	V376-000450	SPACER	1		C
22	+	C328-000310	BAND, BRAKE	1		C
23	+	93050-30098	ROLLER	1	F3*9.8	
24	+	433116-35430	SPACER 8	1	8*12*9	C
25		V265-000200	NUT	2		C
26		C320-000501	LEVER, BRAKE	1		C
27		V805-000240	BOLT, TORX 5	1	TT-5*12 DG 10.9	C
28		V356-000430	COLLAR, 10	1		C
29		V452-001380	SPRING, TORSION	1		B
30		X562-001250	LABEL, SHINDAIWA	1	362TS SPROCKET	D

Class : Consumable class

A:Fast moving parts B:Semi-fast moving parts C:Slow moving parts D:Order only as needed

ACCESSORIES



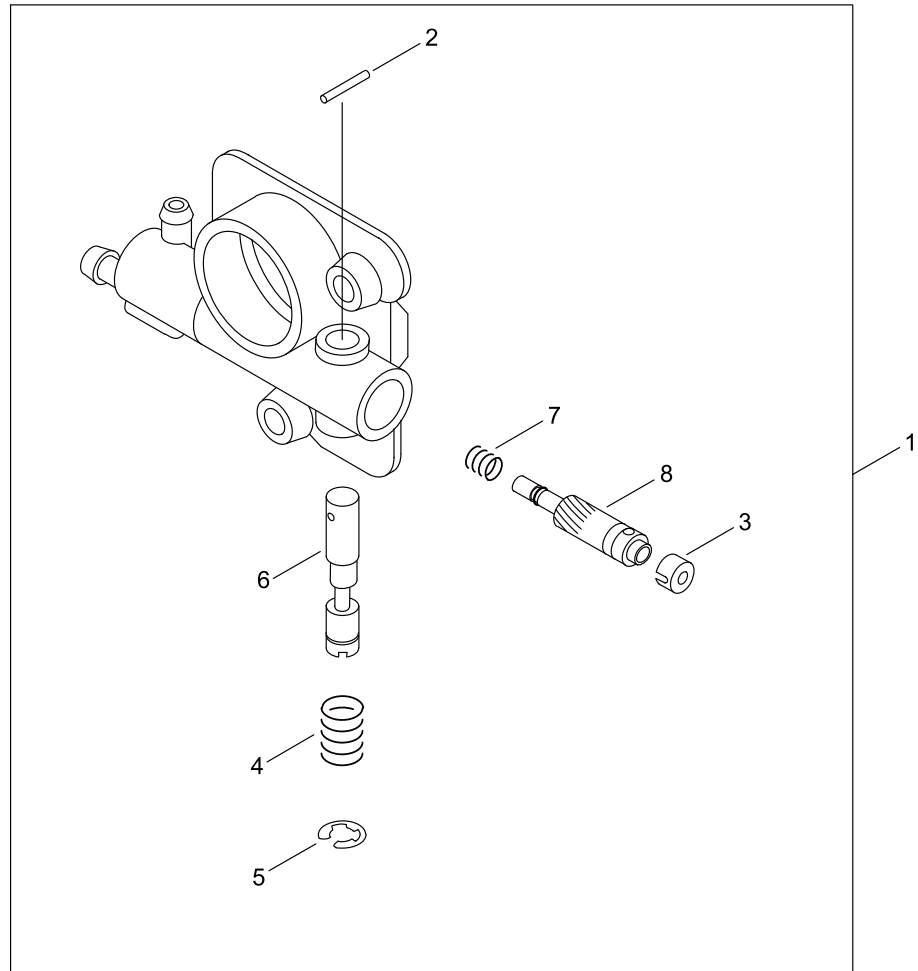
ACCESSORIES

Key No.	LV (+)	Parts Number	Parts Description	Qty	Standard	Class
1		X490-000410	CHAIN COVER	1		D
2		X602-000080	TOOL,WRENCH	1	13*19 L180	D
3		C401-000300	PIECE,HANDLE	1		D
4		C401-000330	PIECE,HANDLE	1		D
5		X605-000170	TOOL,L WRENCH	1		D

Class : Consumable class

A:Fast moving parts B:Semi-fast moving parts C:Slow moving parts D:Order only as needed

OILER




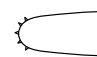
OILER

Key No.	LV (+)	Parts Number	Parts Description	Qty	Standard	Class
1		C022-000020	AUTO-OILER ASSEMBLY	1	OP-7	C
2	+	P003-002180	PIN, SPRING	1		
3	+	437062-38330	CAP, OIL PUMP	1		
4	+	437015-37330	SPRING	1		
5	+	123127-15030	RING	1		
6	+	P003-001370	NEEDLE-ADJ	1		D
7	+	437019-38330	SPRING	1		
8	+	437024-37330	PLUNGER	1		

Class : Consumable class

A:Fast moving parts B:Semi-fast moving parts C:Slow moving parts D:Order only as needed

GUIDE BAR, CHAIN

Pitch ピッチ (inch) (mm)	Gauge ゲージ (inch) (mm)	Length 長さ (cm)	Guide Bar ガイドバー		Saw Chain ソーチェン		Hard Nose ハード ノーズ 	Sprocket Nose スプロケット ノーズ 
			Key №	Type 形式	Key №	Type 形式		
1/4 6.35	0.050 1.27	30	A1	C30H25-68CL-SD	A2	25AP-68E	●	
					A3	25A-68E	●	
1/4 6.35	0.050 1.27	35	B1	C35H25-76CL-ST	B2	25AP-76E	●	
					B3	25A-76E	●	
3/8 9.53	0.050 1.27	30	C1	C30S91-47ML-SC	C2	91PX-47E		●
3/8 9.53	0.050 1.27	35	D1	C35S91-53ML-SC	D2	91PX-53E		●

GUIDE BAR, CHAIN

Key No.	LV (+)	Parts Number	Parts Description	Qty	Standard	Class
A1		X102-000100	BAR,GUIDE 30	1	C30H25-68CL- SD	A
A2		431611-10030	CHAIN, SAW 25AP-68E	1	25AP-68E	A
A3		X202-000010	CHAIN,SAW	1	25A-68E	A
B1		X103-000150	BAR,GUIDE 35	1	C35H25-76CL- ST	A
B2		431612-10030	CHAIN, SAW 25AP-76E	1	25AP-76E	A
B3		X203-000000	CHAIN,SAW	1	25A-76E	A
C1		X122-000351	BAR,GUIDE 30	1	C30S91-47ML- SC	A
C2		X222-000140	CHAIN,SAW	1	91PX-47E	A
D1		X123-000561	BAR,GUIDE 35	1	C35S91-53ML- SC	A
D2		X223-000130	CHAIN,SAW	1	91PX-53E	A

Class : Consumable class

A:Fast moving parts B:Semi-fast moving parts C:Slow moving parts D:Order only as needed

NUMERICAL PARTS INDEX

Part No	Part description	Page	Part No	Part description	Page	Part No	Part description	Page
100013-15330	PIN, PISTON	2	900242-04010	SCREW 4*10	12	C305-000430	PLATE, SPROCKET GUARD	4
100014-60930	SPACER, PISTON PIN	2	900515-00008	NUT, FLANGE 8	6	C309-000030	TENSIONER, CHAIN	18
100015-04630	CIRCLIP, PISTON PIN	2	900603-00005	WASHER 5	6	C320-000501	LEVER, BRAKE	18
100142-12330	KEY, WOODRUFF	6	900720-00018	O-RING	4	C328-000310	BAND, BRAKE	18
100910-18830	CUSHION	16	900724-00004	O-RING	4	C334-000290	CONNECTOR, BRAKE	18
100918-15130	CAP	16	91481-04035	SCREW TAPPING	16	C345-000590	COVER, BRAKE	18
123127-15030	RING	22	93050-30098	ROLLER	18	C400-001150	HANDLE, FRONT	16
123181-39130	PUMP, PRIMER	4	94035-36201	BEARING, BALL	2	C401-000300	PIECE, HANDLE	20
125310-13930	SCREW	10	A021-004210	CARBURETOR, DIAPHRAGM	8	C401-000330	PIECE, HANDLE	20
125314-51230	SCREW	10	A021-004210	CARBURETOR, DIAPHRAGM	10	C401-000350	PIECE, HANDLE	16
125322-13930	SPRING, COIL	10	A051-002921	STARTER, RECOIL	14	C450-001060	TRIGGER, THROTTLE	16
125323-08260	ARM, VALVE	10	A056-000071	CLUTCH	18	C454-000491	ROD, THROTTLE	16
125325-08360	GASKET, PUMP	10	A101-000670	RING, PISTON	2	C460-000022	LOCKOUT, THROTTLE	16
125327-13930	CLIP	10	A127-000411	COVER, DUST	4	C626-000070	FIXTURE, HARNESS	4
125327-15130	CLIP	10	A172-002091	COVER, FAN	14	C646-000100	RING, HARNESS	4
125333-33330	SPRING, IDLE ADJUST	10	A202-000231	BELLOWS, INTAKE	8	P003-001370	NEEDLE-ADJ	22
125334-06960	SCREW, THROTTLE ADJUST	10	A225-000611	CASE, CLEANER	8	P003-002180	PIN, SPRING	22
125337-08260	VALVE, INLET NEEDLE	10	A226-001820	ELEMENT, AIR FILTER	8	P005-000790	SPRING, THRT. RETURN	10
125338-13930	PIN, METERING ARM	10	A228-000030	SEAL, CLEANER	8	P005-000860	SCREEN, FUEL INLET	10
125339-13930	SCREW	10	A235-000480	KNOB, CLEANER LID	8	P005-000880	SPRING, CHOKE RETURN	10
125348-13930	SCREW	10	A239-000000	PIPE, INTAKE	4	P005-001110	DIAPHRAGM, PUMP	10
125378-13930	PIECE, FRICTION	10	A240-000200	ROD, CHOKE	16	P005-002370	NEEDLE, HIGH SPEED	10
130020-33330	NUT	16	A244-000280	PLATE, PREVENT	8	P005-002380	NEEDLE, IDLE	10
131300-56431	VENT ASSEMBLY, FUEL	4	A253-000170	LEVER, CONTROL	16	P005-002390	SHAFT, CHOKE	10
132012-11961	PIPE	2	A300-001841	MUFFLER, EXHAUST	12	P005-002400	PLUG, WELCH	10
132115-01462	GROMMET	2	A310-000431	SCREEN, ARRESTOR	12	P005-003130	NOZZLE, CHECK VALVE	10
132115-44331	GROMMET, FUEL	4	A312-000070	PLATE, EXHUST	12	P005-003140	SHAFT ASY, THROTTLE	10
150117-16430	SPACER	6	A313-001980	GUIDE, EXHAUST	12	P005-003150	LEVER, THROTTLE	10
156110-04920	BUSHING	6	A320-001090	COVER, MUFFLER	12	P005-003160	VALVE, THROTTLE	10
175005-39133	DRUM, CLUTCH	18	A365-000050	CONNECTOR, CAP	4	P005-003170	SCREW	10
175007-39233	DRUM, CLUTCH 1/4	18	A369-000420	STRAINER, FUEL	4	P005-003180	COVER, PUMP	10
177234-35430	SPRING, RETURN	6	A409-001240	ROTOR, MAGNETO	6	P005-003190	DIAPHRAGM, METERING	10
177236-61830	SCREW	14	A411-001501	COIL, IGNITION	6	P005-003200	GASKET, METERING	10
177247-04630	SPACER, RATCHET	6	A425-000000	SPARKPLUG	6	P005-003210	COVER, METERING	10
431611-10030	CHAIN, SAW 25AP-68E	24	A426-000010	TERMINAL, SPARKPLUG	6	P005-003220	SCREW	10
431612-10030	CHAIN, SAW 25AP-76E	24	A427-000013	CAP, SPARK PLUG	6	P005-003230	LEVER, CHOKE	10
433026-35430	CATCHER, CHAIN	4	A429-000160	COVER, CAP	4	P005-003240	VALVE, CHOKE	10
433116-35430	SPACER 8	18	A514-000270	PAWL	6	P021-005581	CAP ASY	4
436114-13930	VALVE, CHECK	4	A551-000010	PLATE, CLUTCH	18	P021-005601	CAP ASY	4
437015-37330	SPRING	22	A552-000020	HUB, CLUTCH	18	P021-005811	CLUTCH SHOE SET	18
437019-38330	SPRING	22	C022-000020	AUTO-OILER ASSEMBLY	2	P021-039160	CRANKSHAFT ASY	2
437024-37330	PLUNGER	22	C022-000020	AUTO-OILER ASSEMBLY	22	P021-041820	HANDLE SET, REAR	16
437062-38330	CAP, OIL PUMP	22	C300-001020	GUARD, SPROCKET	18	P021-045440	PISTON KIT	2
890157-39131	LABEL, SWITCH	16	C304-000000	SPIKE	4	P021-045451	MUFFLER ASY	12

NUMERICAL PARTS INDEX

Part No	Part description	Page	Part No	Part description	Page	Part No	Part description	Page
P021-050000	GUARD, SPROCKET ASY	18	V475-002390	TUBE	6	X605-000170	TOOL,L WRENCH	20
P022-001330	SPRING KIT, REWIND	14	V485-002430	LEAD	6			
P022-005891	GRIP, STARTER	14	V485-002441	LEAD	16			
P022-008440	ROPE, STARTER	14	V486-000371	TERMINAL,LEAD	16			
P022-033280	SPRING CASE	14	V490-001230	CLIP	2			
P022-036660	DRUM, STARTER	14	V490-001240	CLIP	4			
P022-036670	SPRING,DAMPER	14	V505-000011	SEAL,OIL 12	2			
P022-036680	PLATE, CAM	14	V553-000130	BEARING,NEEDLE 8	2			
P022-043730	CASE,STARTER ASY	14	V555-000170	BEARING,NEEDLE 10	18			
P100-001900	STRAINER, OIL	2	V651-000001	GEAR,BEVEL	18			
P100-007010	CRANKCASE SET	2	V651-000011	GEAR,BEVEL	18			
P100-007160	COVER ENGINE ASY	4	V652-000030	GEAR,WORM	2			
P100-007170	CLEANER COVER ASY	8	V804-000000	BOLT, TORX 4	4			
V104-001960	GASKET,EXHAUST	12	V804-000000	BOLT, TORX 4	18			
V104-001980	GASKET,EXHAUST	12	V804-000010	BOLT, TORX 4	16			
V137-000001	GROMMET,FUEL	4	V804-000050	BOLT, TORX 4	2			
V186-000530	JOINT,PIPE	4	V804-000060	BOLT, TORX 4	14			
V187-000010	NIPPLE	2	V805-000010	BOLT, TORX 5	4			
V202-000000	BOLT,4	16	V805-000010	BOLT, TORX 5	12			
V203-000041	BOLT,5	18	V805-000010	BOLT, TORX 5	16			
V203-000080	BOLT,5	6	V805-000080	BOLT, TORX 5	8			
V225-000262	BOLT,STUD 8	4	V805-000140	BOLT, TORX 5	4			
V265-000200	NUT	18	V805-000140	BOLT, TORX 5	8			
V308-000030	WASHER,CIRCULAR 11	2	V805-000150	BOLT, TORX 5	12			
V311-000170	WASHER,CIRCULAR 16-1	8	V805-000180	BOLT, TORX 5	4			
V351-000000	COLLAR,3	8	V805-000210	BOLT, TORX 5	2			
V352-000020	COLLAR,4	16	V805-000210	BOLT, TORX 5	4			
V355-000140	COLLAR,8	18	V805-000210	BOLT, TORX 5	6			
V356-000290	COLLAR,10	2	V805-000240	BOLT, TORX 5	18			
V356-000430	COLLAR,10	18	V805-000250	BOLT, TORX 5	12			
V376-000450	SPACER	18	X102-000100	BAR,GUIDE 30	24			
V400-000070	CUSHION,4	16	X103-000150	BAR,GUIDE 35	24			
V450-000070	SPRING,COMPRESSION	18	X122-000351	BAR,GUIDE 30	24			
V451-000470	SPRING,TENSION	18	X123-000561	BAR,GUIDE 35	24			
V451-001411	SPRING,TENSION	8	X202-000010	CHAIN,SAW	24			
V452-000010	SPRING,TORSION	16	X203-000000	CHAIN,SAW	24			
V452-001380	SPRING,TORSION	18	X222-000140	CHAIN,SAW	24			
V470-001910	PIPE	8	X223-000130	CHAIN,SAW	24			
V471-000741	PIPE	2	X490-000410	CHAIN COVER	20			
V471-002291	PIPE	4	X505-000181	LABEL,CAUTION	4			
V471-003381	PIPE	4	X505-002441	LABEL,CAUTION	4			
V471-003391	PIPE	4	X505-007710	LABEL,CAUTION	12			
V471-003401	PIPE	4	X562-001240	LABEL,SHINDAIWA	14			
V471-003411	PIPE	4	X562-001250	LABEL,SHINDAIWA	18			
V475-001900	TUBE	6	X602-000080	TOOL,WRENCH	20			