

# CS-4310SX

Serial Number

38000001-38999999

Last updated date

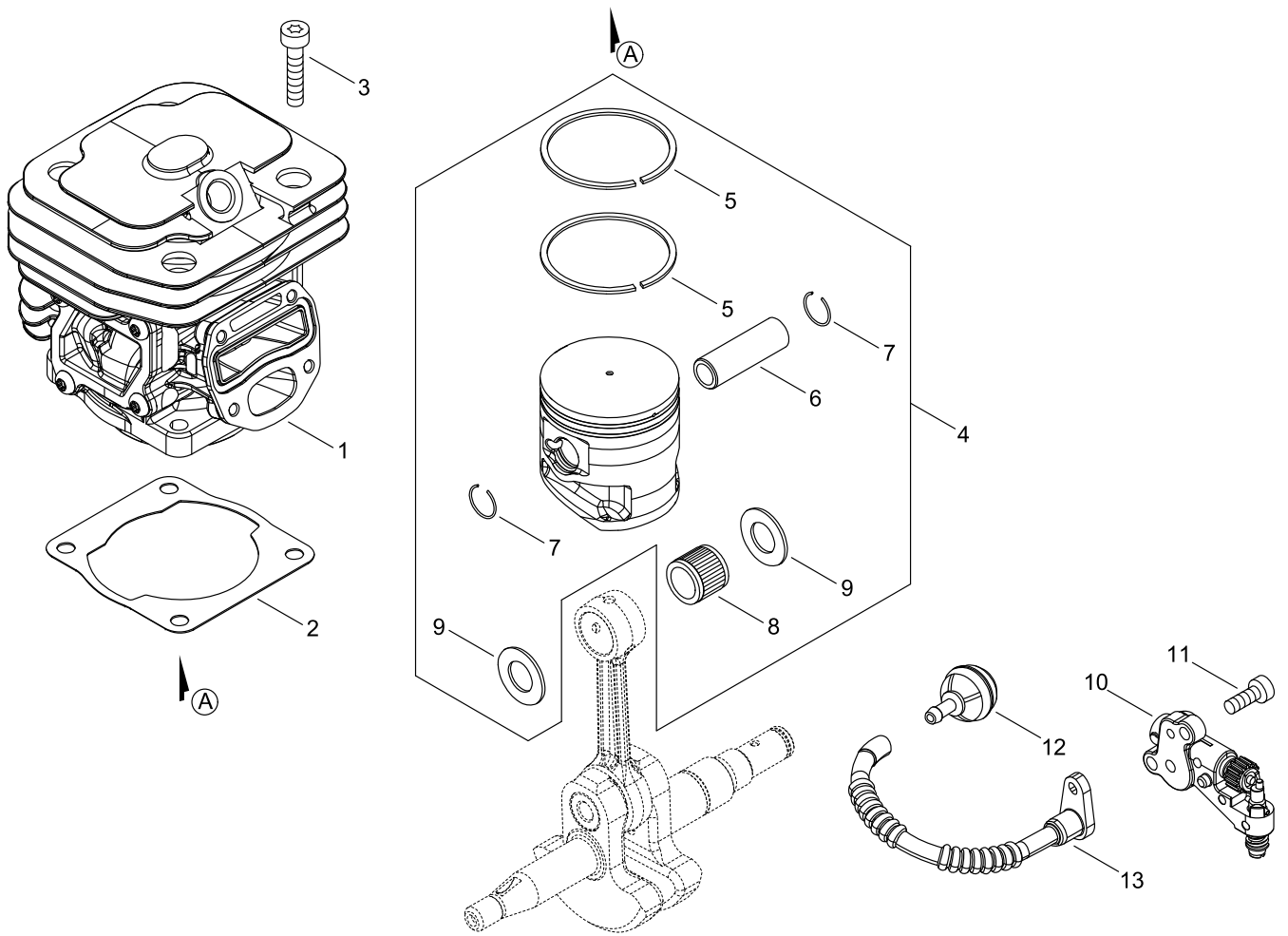
29/Apr/2021

## TABLE OF CONTENTS

---

|                              |    |
|------------------------------|----|
| CYLINDER, PISTON .....       | 1  |
| CRANKCASE .....              | 3  |
| MAGNETO.....                 | 5  |
| AIR CLEANER, CARBURETOR..... | 7  |
| CARBURETOR.....              | 9  |
| MUFFLER.....                 | 11 |
| RECOIL STARTER.....          | 13 |
| HANDLE.....                  | 15 |
| CHAIN BRAKE.....             | 17 |
| ACCESSORIES .....            | 19 |
| GUIDE BAR, CHAIN .....       | 21 |
| OPTION PARTS.....            | 23 |

# CYLINDER, PISTON



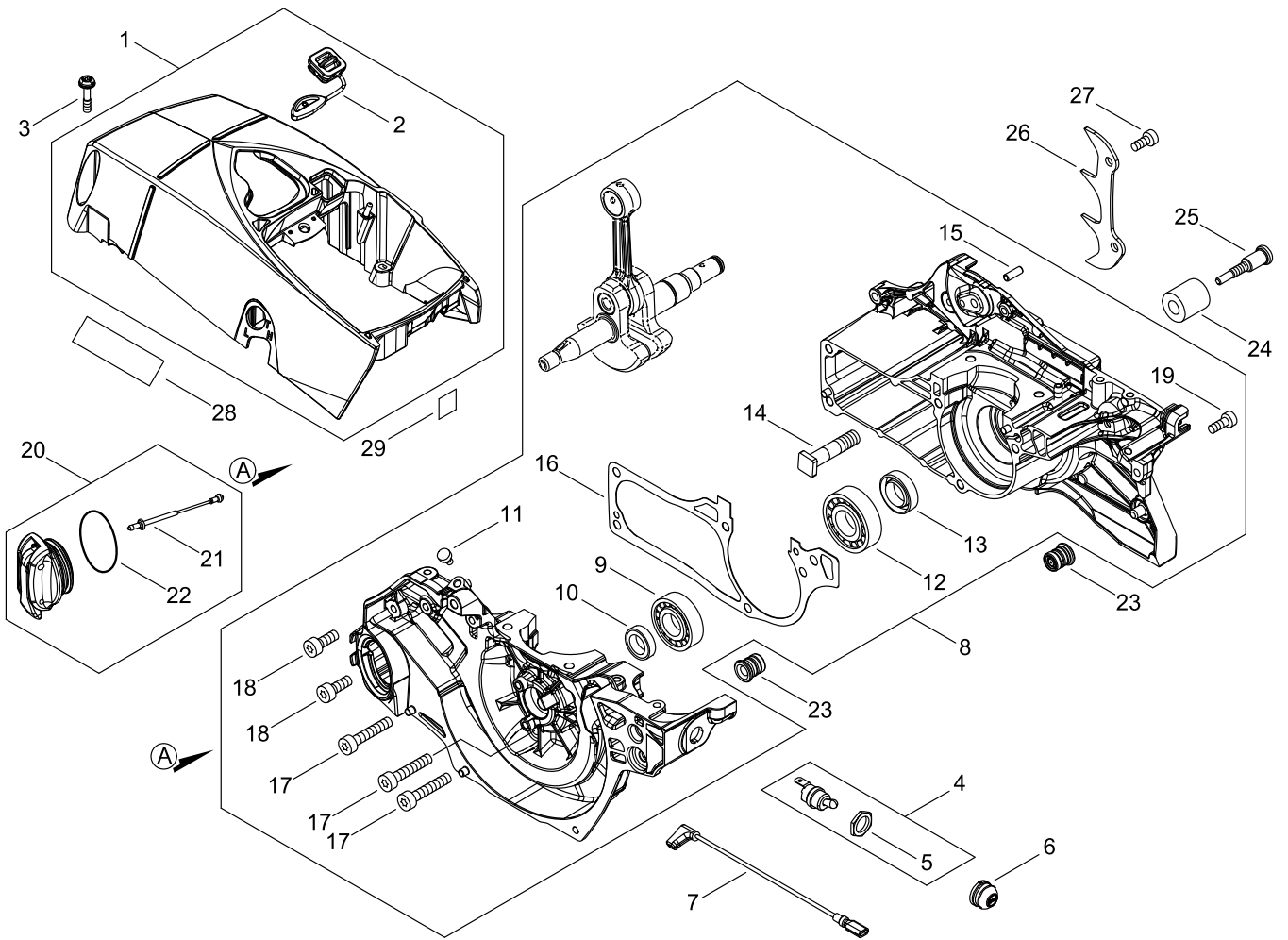
## CYLINDER, PISTON

| Key No. | LV (+) | Parts Number | Parts Description   | Qty | Standard     | Class |
|---------|--------|--------------|---------------------|-----|--------------|-------|
| 1       |        | P100-008310  | CYLINDER ASY        | 1   |              |       |
| 2       |        | V100-000890  | GASKET,CYL          | 1   | T0.5         | B     |
| 3       |        | V805-000210  | BOLT, TORX 5        | 4   | TB-5*20 12.9 | C     |
| 4       |        | P100-008320  | PISTON KIT          | 1   |              |       |
| 5       | +      | A101-000800  | RING, PISTON        | 2   |              | B     |
| 6       | +      | 100013-39730 | PIN, PISTON         | 1   |              | D     |
| 7       | +      | V580-000110  | SNAP RING           | 2   |              | C     |
| 8       | +      | V555-000140  | BEARING,NEEDLE      | 1   |              | B     |
| 9       | +      | 100014-02260 | WASHER              | 2   |              | C     |
| 10      |        | C022-000121  | AUTO-OILER ASSEMBLY | 1   |              | C     |
| 11      |        | V804-000050  | BOLT, TORX 4        | 2   | TB-4*12 10.9 | C     |
| 12      |        | 436205-14730 | STRAINER, OIL       | 1   |              | B     |
| 13      |        | V470-002370  | PIPE                | 1   |              | C     |

Class : Consumable class

A:Fast moving parts B:Semi-fast moving parts C:Slow moving parts D:Order only as needed

# CRANKCASE



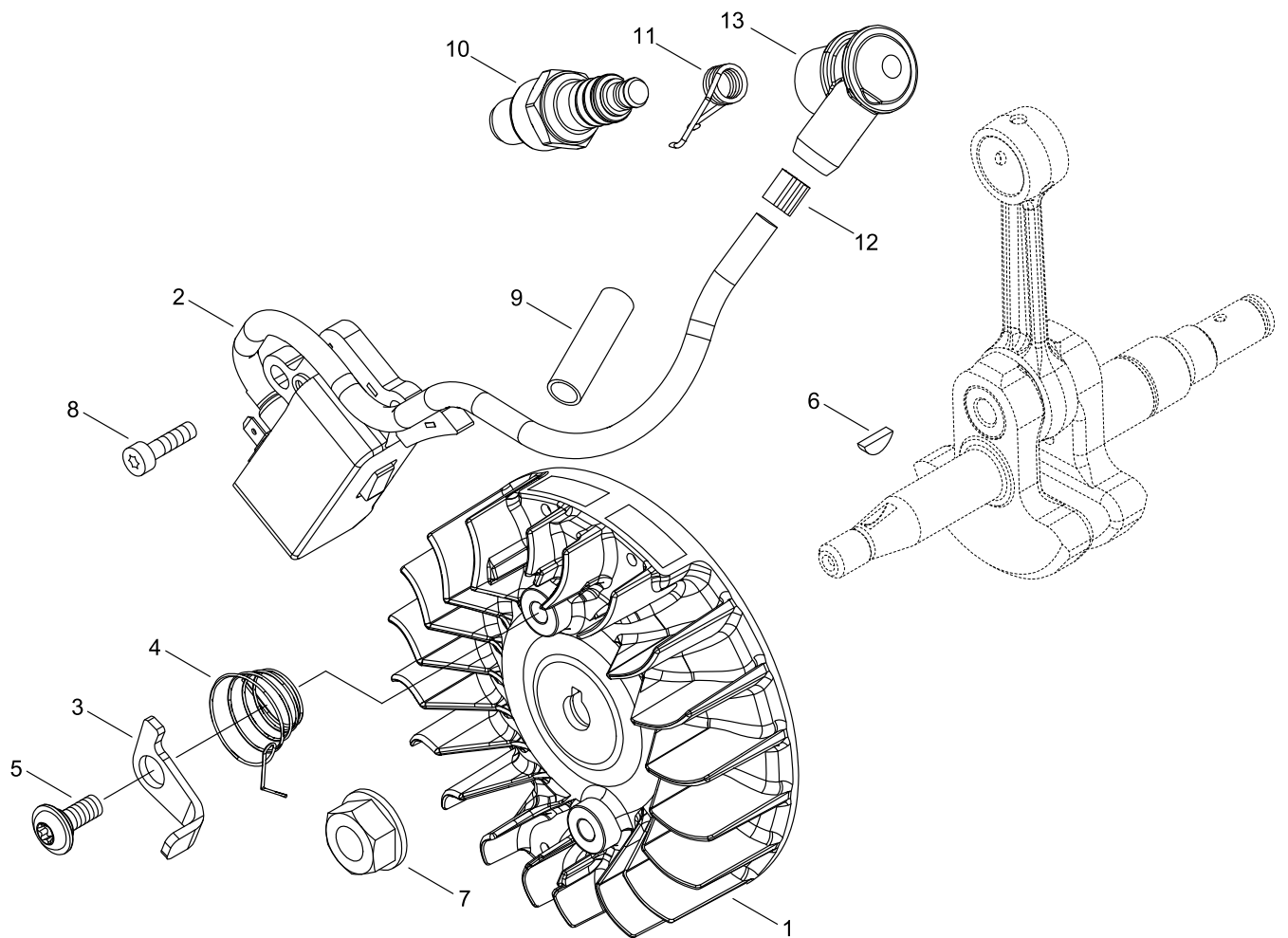
## CRANKCASE

| Key No. | LV (+) | Parts Number | Parts Description  | Qty | Standard     | Class |
|---------|--------|--------------|--------------------|-----|--------------|-------|
| 1       |        | P100-008501  | CYLINDER COVER ASY | 1   |              | C     |
| 2       | +      | A219-000080  | SHUTTER, AIR       | 1   |              | C     |
| 3       |        | V202-000780  | BOLT,4             | 3   | M4*18_12.9   | C     |
| 4       |        | P100-011170  | SWITCH, ON OFF     | 1   |              |       |
| 5       | +      | V266-000260  | NUT,10             | 1   | M10X0.75     |       |
| 6       |        | V494-001250  | CAP                | 1   | STOP SWITCH  |       |
| 7       |        | V485-003410  | LEAD               | 1   |              | C     |
| 8       |        | P100-011190  | CRANKCASE SET      | 1   |              |       |
| 9       | +      | 94035-36201  | BEARING, BALL      | 1   | 6201         |       |
| 10      | +      | V505-000070  | OIL SEAL           | 1   |              | C     |
| 11      | +      | A356-000130  | VALVE,CHECK        | 1   |              | B     |
| 12      | +      | V592-000290  | BEARING, BALL      | 1   | 6202X47C3    | C     |
| 13      | +      | V508-000070  | OIL SEAL           | 1   |              | C     |
| 14      | +      | 433011-19831 | STUD, GUIDE BAR    | 2   |              | C     |
| 15      | +      | V629-000000  | ROLLER             | 2   |              | C     |
| 16      | +      | V102-000340  | GASKET,CRANKCASE   | 1   | T0.3         | B     |
| 17      | +      | V805-000180  | BOLT, TORX 5       | 3   | TB-5*30 12.9 | C     |
| 18      | +      | V805-000250  | BOLT, TORX 5       | 2   | TB-5*16 12.9 | C     |
| 19      | +      | V804-000100  | BOLT, TORX 4       | 1   | TB-4*16 12.9 | C     |
| 20      |        | P100-008410  | CAP,OIL ASY        | 1   |              |       |
| 21      | +      | A365-000150  | CONNECTOR,CAP      | 1   |              | B     |
| 22      | +      | 900720-20029 | O-RING             | 1   | P-29         |       |
| 23      |        | V420-005550  | CUSHION            | 2   |              | B     |
| 24      |        | C310-000110  | CATCHER, CHAIN     | 1   |              | B     |
| 25      |        | V203-002480  | BOLT,5             | 1   |              | C     |
| 26      |        | C304-000140  | SPIKE              | 1   |              | C     |
| 27      |        | V805-000300  | BOLT, TORX 5       | 2   | TB-5*12 12.9 | C     |
| 28      |        | X502-000390  | LABEL,ECHO         | 1   | ECHO 72.5*15 | D     |
| 29      |        | X510-001310  | LABEL,SWITCH       | 1   | PUSH STOP    |       |

Class : Consumable class

A:Fast moving parts B:Semi-fast moving parts C:Slow moving parts D:Order only as needed

MAGNETO



## MAGNETO

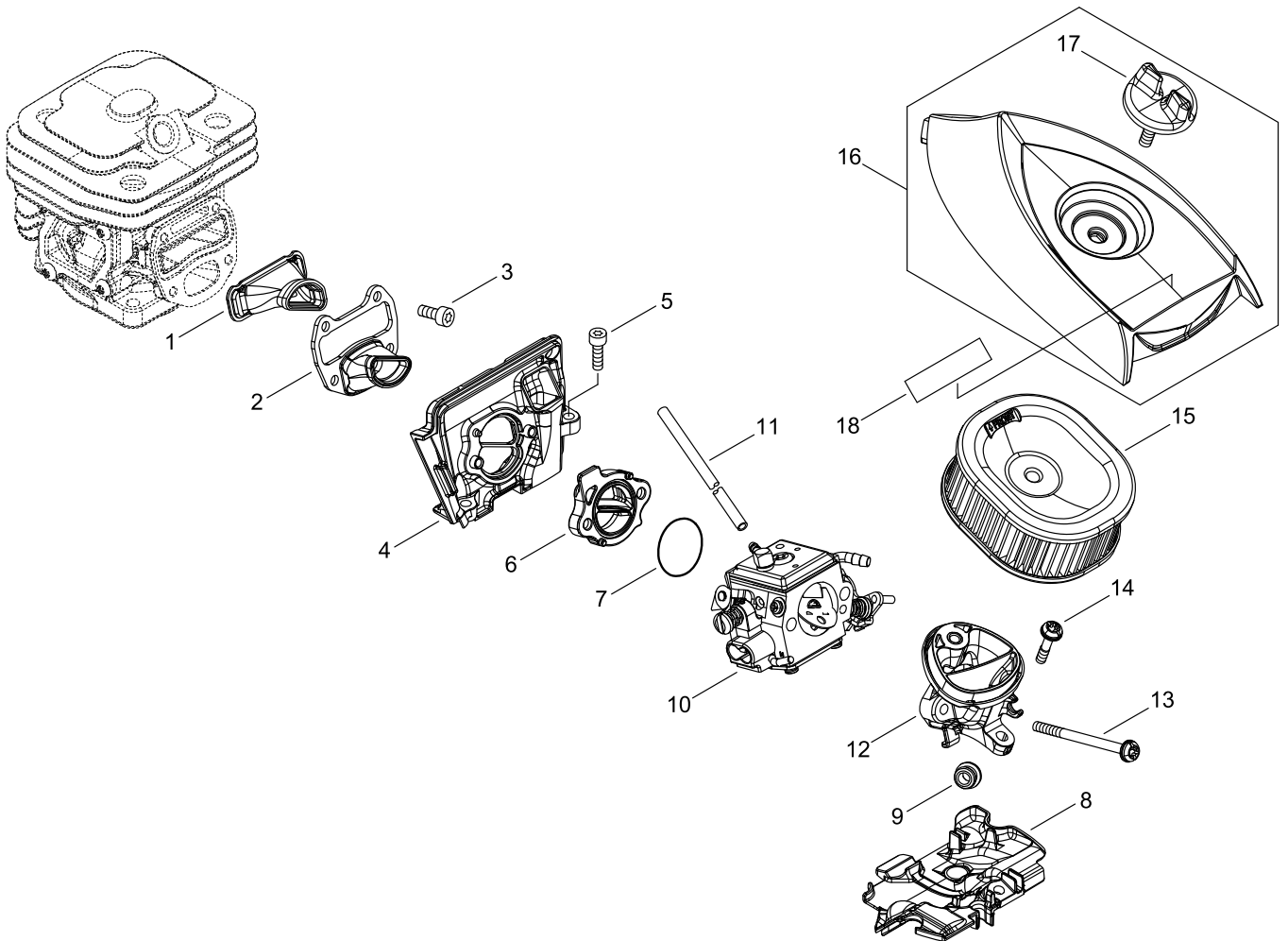
| Key No. | LV (+) | Parts Number | Parts Description | Qty | Standard     | Class |
|---------|--------|--------------|-------------------|-----|--------------|-------|
| 1       |        | A409-001390  | ROTOR, MAGNETO    | 1   |              | C     |
| 2       |        | P100-011180  | COIL, IGNITION    | 1   |              |       |
| 3       |        | A514-000220  | PAWL              | 2   |              | C     |
| 4       |        | V452-000870  | SPRING,TORSION    | 2   |              | B     |
| 5       |        | V203-002250  | BOLT,5            | 2   |              | C     |
| 6       |        | 93115-03010  | KEY, WOODRUFF     | 1   | 3*10         |       |
| 7       |        | 900515-00008 | NUT, FLANGE       | 1   | 8            |       |
| 8       |        | V804-000100  | BOLT, TORX 4      | 2   | TB-4*16 12.9 | C     |
| 9       |        | V475-009850  | TUBE              | 1   | SSG-1 6-L210 |       |
| 10      |        | A425-000060  | SPARKPLUG         | 1   | CMR7H        | A     |
| 11      |        | A426-000050  | SPRING SPARK PLUG | 1   |              | C     |
| 12      |        | V495-003900  | BAND              | 1   | 560700       | C     |
| 13      |        | A427-000190  | CAP,SPARK PLUG    | 1   |              | C     |

Class : Consumable class

A:Fast moving parts B:Semi-fast moving parts C:Slow moving parts D:Order only as needed



# AIR CLEANER, CARBURETOR



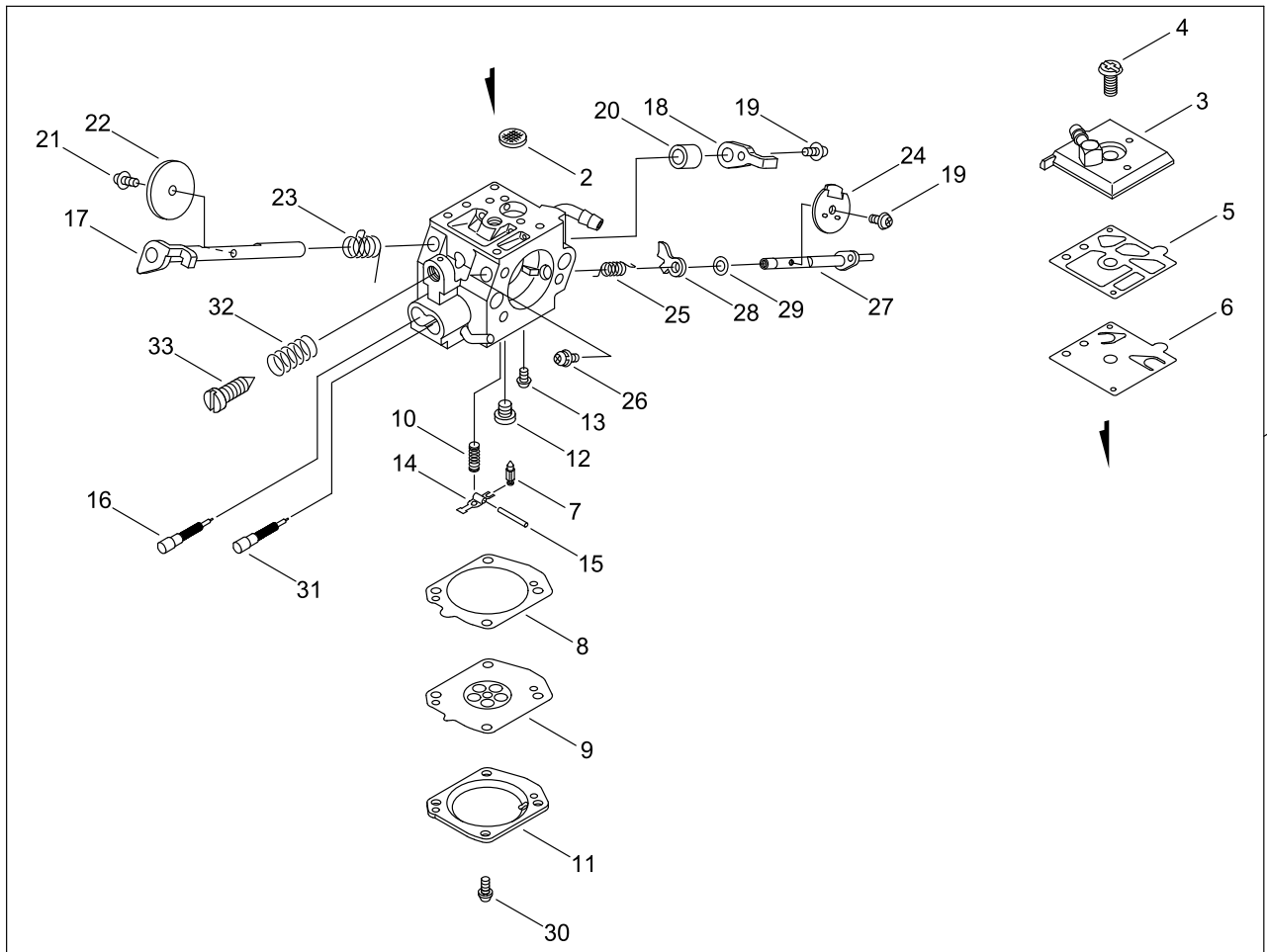
## AIR CLEANER, CARBURETOR

| Key No. | LV (+) | Parts Number | Parts Description    | Qty | Standard        | Class |
|---------|--------|--------------|----------------------|-----|-----------------|-------|
| 1       |        | A202-000340  | BELLOWS, INTAKE      | 1   |                 | C     |
| 2       |        | A202-000350  | BELLOWS, INTAKE      | 1   |                 | C     |
| 3       |        | V804-000050  | BOLT, TORX 4         | 4   | TB-4*12 10.9    | C     |
| 4       |        | A200-001240  | INSULATOR, INTAKE    | 1   |                 | C     |
| 5       |        | V804-000100  | BOLT, TORX 4         | 2   | TB-4*16 12.9    | C     |
| 6       |        | A200-001250  | INSULATOR, INTAKE    | 1   |                 | C     |
| 7       |        | 900724-00022 | O-RING               | 1   | S-22            |       |
| 8       |        | A127-000570  | COVER,DUST           | 1   |                 | C     |
| 9       |        | 132115-01462 | GROMMET              | 1   |                 | C     |
| 10      |        | A021-005350  | CARBURETOR,DIAPHRAGM | 1   |                 |       |
| 11      |        | 437216-32631 | PIPE 3* 6*125        | 1   | 3*6*125         | C     |
| 12      |        | A204-000270  | ELBOW, CARBURETOR    | 1   |                 | C     |
| 13      |        | V202-000790  | BOLT,4               | 2   | M4*55           | C     |
| 14      |        | V202-000780  | BOLT,4               | 1   | M4*18_12.9      | C     |
| 15      |        | A226-002330  | ELEMENT, AIR FILTER  | 1   |                 | A     |
| 16      |        | P100-008520  | CLEANER COVER ASY    | 1   |                 |       |
| 17      | +      | A235-000490  | KNOB,CLEANER LID     | 1   |                 | C     |
| 18      |        | X503-016040  | LABEL,MODEL          | 1   | CS-4310SX XSER. |       |

Class : Consumable class

A:Fast moving parts B:Semi-fast moving parts C:Slow moving parts D:Order only as needed

# CARBURETOR



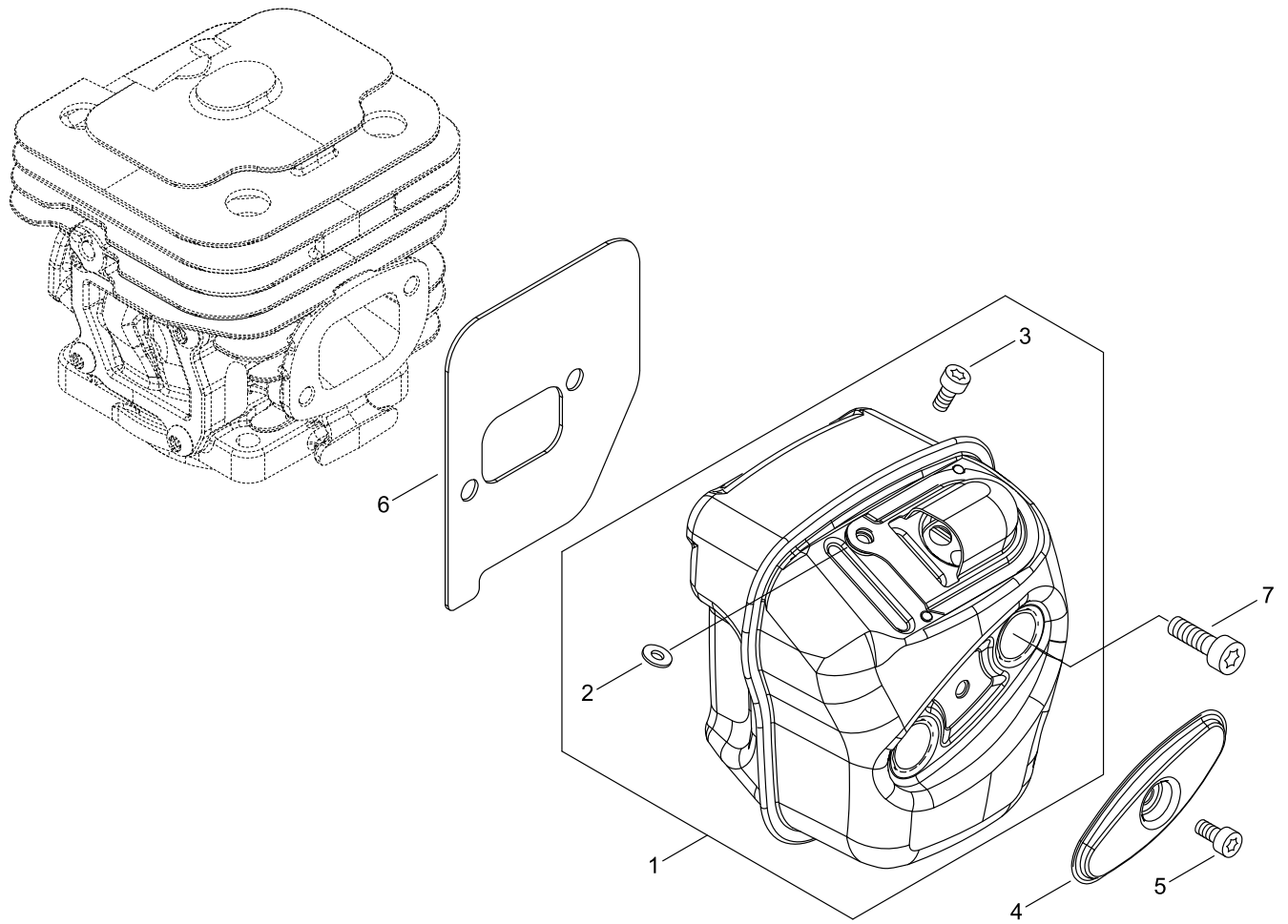
## CARBURETOR

| Key No. | LV (+) | Parts Number | Parts Description    | Qty | Standard | Class |
|---------|--------|--------------|----------------------|-----|----------|-------|
| 1       |        | A021-005350  | CARBURETOR,DIAPHRAGM | 1   |          |       |
| 2       | +      | 123126-10631 | SCREEN, INLET        | 1   |          |       |
| 3       | +      | P003-006320  | COVER, FUEL PUMP     | 1   |          |       |
| 4       | +      | 123110-16130 | SCREW, PUMP COVER    | 1   |          |       |
| 5       | +      | 123125-12330 | GASKET, FUEL PUMP    | 1   |          |       |
| 6       | +      | 123112-12330 | DIAPHRAGM, FUEL PUMP | 1   |          |       |
| 7       | +      | 123137-19830 | VALVE, INLET NEEDLE  | 1   |          |       |
| 8       | +      | 123140-16130 | GASKET, M. DIAPHRAGM | 1   |          |       |
| 9       | +      | P003-006330  | DIAPHRAGM, METERING  | 1   |          |       |
| 10      | +      | 123122-39830 | SPRING, METER. LEVER | 1   |          |       |
| 11      | +      | P003-006340  | COVER, M. DIAPHRAGM  | 1   |          |       |
| 12      | +      | 123146-10631 | PLUG, WELCH          | 1   |          |       |
| 13      | +      | 123139-03930 | SCREW, M. LEVER PIN  | 1   |          |       |
| 14      | +      | 123123-16130 | LEVER, METERING      | 1   |          |       |
| 15      | +      | 123138-03930 | PIN, METERING LEVER  | 1   |          |       |
| 16      | +      | P003-004460  | NEEDLE               | 1   |          | D     |
| 17      | +      | P003-006350  | SHAFT ASY,THROTTLE   | 1   |          |       |
| 18      | +      | P003-006360  | THROTTLE, LEVER      | 1   |          |       |
| 19      | +      | 123114-38830 | SCREW                | 2   |          |       |
| 20      | +      | P003-002910  | SPACER               | 1   |          |       |
| 21      | +      | P003-002380  | SCREW                | 1   |          |       |
| 22      | +      | P003-006370  | VALVE                | 1   |          |       |
| 23      | +      | P003-006380  | SPRING               | 1   |          |       |
| 24      | +      | P003-006390  | VALVE                | 1   |          |       |
| 25      | +      | P003-006400  | SPRING               | 1   |          |       |
| 26      | +      | P003-006410  | SCREW                | 1   |          |       |
| 27      | +      | P003-006420  | SHAFT-CHOKE(MOLD)    | 1   |          |       |
| 28      | +      | P003-006430  | LEVER-FAST IDLE      | 1   |          |       |
| 29      | +      | 123149-26030 | WASHER               | 1   |          |       |
| 30      | +      | 123130-02960 | SCREW                | 4   |          |       |
| 31      | +      | P003-006520  | NEEDLE               | 1   |          |       |
| 32      | +      | 123133-04260 | SPRING, IDLE ADJUST  | 1   |          |       |
| 33      | +      | P003-003650  | IDEL SCREW           | 1   |          |       |

Class : Consumable class

A:Fast moving parts B:Semi-fast moving parts C:Slow moving parts D:Order only as needed

# MUFFLER



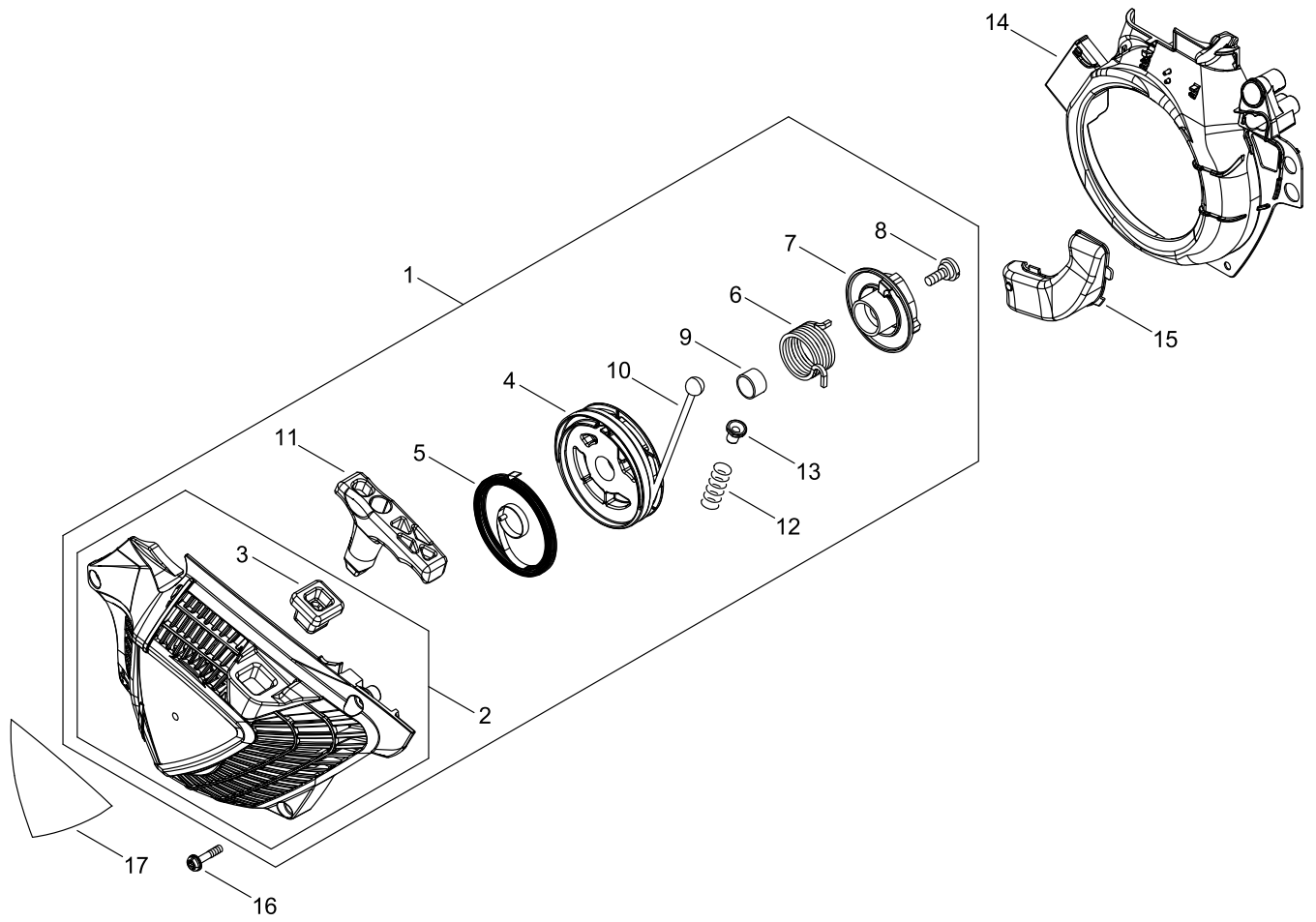
## MUFFLER

| Key No. | LV (+) | Parts Number | Parts Description | Qty | Standard        | Class |
|---------|--------|--------------|-------------------|-----|-----------------|-------|
| 1       |        | P100-008430  | MUFFLER ASY       | 1   |                 |       |
| 2       | +      | 900602-00004 | WASHER            | 1   | 4               |       |
| 3       | +      | V804-000140  | BOLT, TORX 4      | 1   | TB-4*6 ALL 10.9 | C     |
| 4       |        | A301-000090  | PLATE, MUFFLER    | 1   | T0.5            | C     |
| 5       |        | V804-000140  | BOLT, TORX 4      | 1   | TB-4*6 ALL 10.9 | C     |
| 6       |        | V104-002500  | GASKET,EXHAUST    | 1   |                 | A     |
| 7       |        | V805-000250  | BOLT, TORX 5      | 2   | TB-5*16 12.9    | C     |

Class : Consumable class

A:Fast moving parts B:Semi-fast moving parts C:Slow moving parts D:Order only as needed

# RECOIL STARTER



## RECOIL STARTER

| Key No. | LV (+) | Parts Number | Parts Description  | Qty | Standard     | Class |
|---------|--------|--------------|--------------------|-----|--------------|-------|
| 1       |        | A051-003480  | STARTER,RECOIL ASY | 1   |              | B     |
| 2       | +      | P022-054810  | CASE,STARTER ASY   | 1   |              |       |
| 3       | ++     | P022-054830  | GUIDE ROPE         | 1   |              |       |
| 4       | +      | P022-054840  | DRUM               | 1   |              |       |
| 5       | +      | P022-054850  | SPRING, SPIRAL     | 1   |              |       |
| 6       | +      | P022-054860  | SPRING,DAMPER      | 1   |              |       |
| 7       | +      | P022-054870  | PLATE, CAM         | 1   |              |       |
| 8       | +      | 177236-61830 | SCREW              | 1   |              |       |
| 9       | +      | P022-054890  | SPACE, PIPE        | 1   |              |       |
| 10      | +      | P022-054900  | ROPE               | 1   |              |       |
| 11      | +      | P022-036780  | GRIP, STARTER      | 1   |              |       |
| 12      | +      | V450-001170  | SPRING,COMPRESSION | 1   |              | B     |
| 13      | +      | V376-001400  | SPACER             | 1   |              | C     |
| 14      |        | A172-003610  | COVER,FAN          | 1   |              | C     |
| 15      |        | A161-000410  | DUCT, AIR          | 1   |              | C     |
| 16      |        | V202-000780  | BOLT,4             | 3   | M4*18_12.9   | C     |
| 17      |        | X547-003790  | LABEL,ECHO         | 1   | CS-4310 ECHO |       |

Class : Consumable class

A:Fast moving parts B:Semi-fast moving parts C:Slow moving parts D:Order only as needed





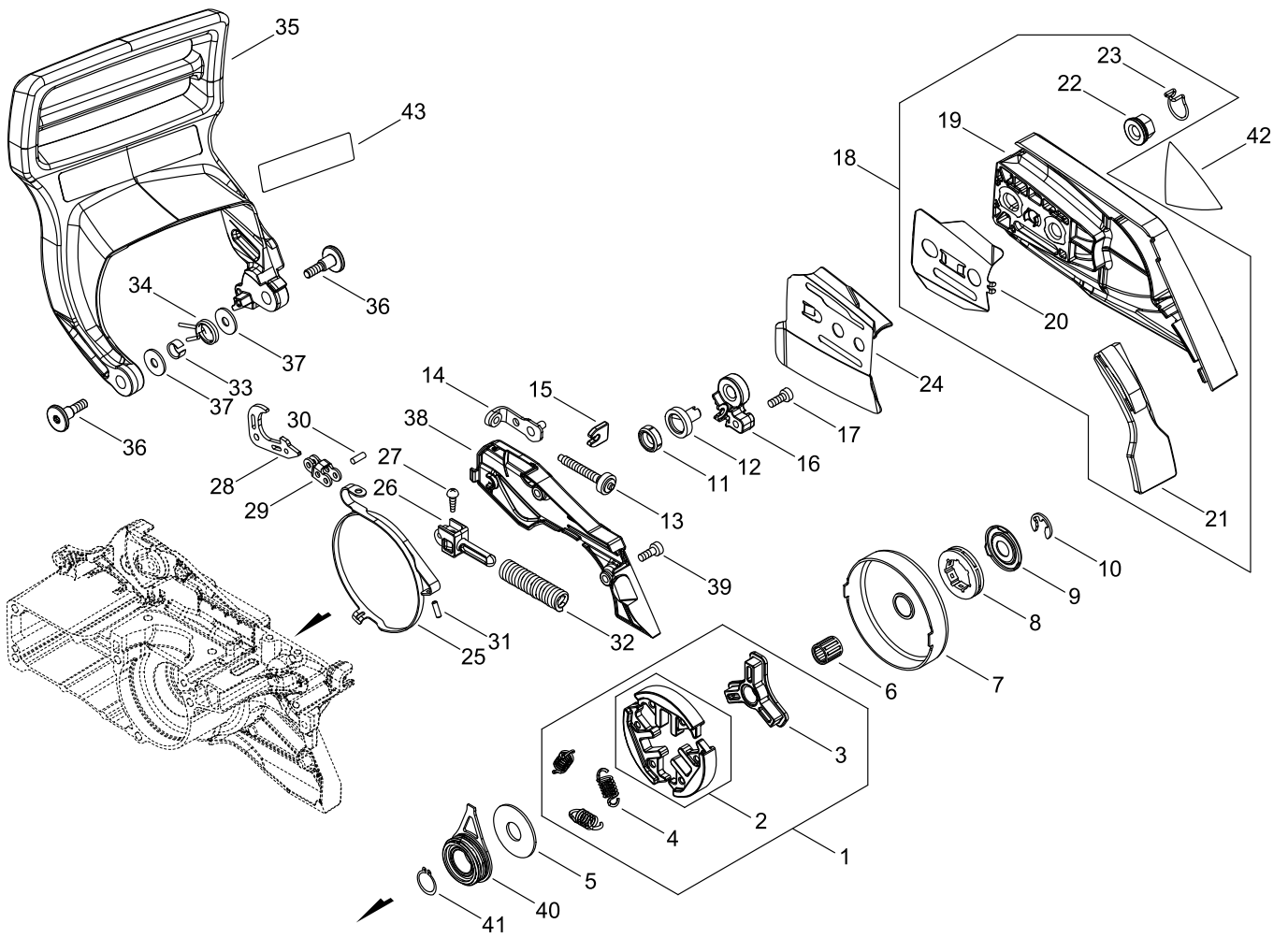
## HANDLE

| Key No. | LV (+) | Parts Number | Parts Description   | Qty | Standard        | Class |
|---------|--------|--------------|---------------------|-----|-----------------|-------|
| 1       |        | C454-000600  | ROD, THROTTLE       | 1   |                 | C     |
| 2       |        | A241-000400  | KNOB, CHOKE         | 1   |                 | C     |
| 3       |        | V130-000180  | GROMMET,CHOKE       | 1   |                 | C     |
| 4       |        | V450-002330  | SPRING,COMPRESSION  | 1   |                 | B     |
| 5       |        | V450-002340  | SPRING,COMPRESSION  | 1   |                 | B     |
| 6       |        | V450-002350  | SPRING,COMPRESSION  | 1   |                 | B     |
| 7       |        | V456-000410  | HOLDER,SPRING       | 2   |                 | C     |
| 8       |        | V456-000420  | HOLDER,SPRING       | 1   |                 | C     |
| 9       |        | V805-000000  | BOLT, TORX 5        | 2   | TT-5*16 DG 10.9 | C     |
| 10      |        | V805-000000  | BOLT, TORX 5        | 1   | TT-5*16 DG 10.9 | C     |
| 11      |        | V805-000000  | BOLT, TORX 5        | 2   | TT-5*16 DG 10.9 | C     |
| 12      |        | V805-000390  | BOLT, TORX 5        | 1   | TB-5*16 10.9    | C     |
| 13      |        | P100-008540  | HANDLE ASY, REAR    | 1   |                 |       |
| 14      | +      | V470-002390  | PIPE                | 1   |                 | C     |
| 15      | +      | V490-001230  | CLIP                | 1   |                 | C     |
| 16      | +      | 131300-56431 | VENT ASSEMBLY, FUEL | 1   |                 | B     |
| 17      | +      | 131328-40630 | COVER, VENT         | 1   |                 | D     |
| 18      | +      | V471-002381  | PIPE                | 1   | 3*5*140         | C     |
| 19      | +      | V186-000510  | JOINT,PIPE          | 1   |                 | C     |
| 20      | +      | V470-001991  | PIPE                | 1   | 1.8*4*105       | C     |
| 21      | +      | V490-000500  | CLIP                | 1   |                 | C     |
| 22      | +      | A369-000450  | STRAINER, FUEL      | 1   |                 | A     |
| 23      | +      | 123181-39130 | PUMP, PRIMER        | 1   |                 | A     |
| 24      | +      | V470-002380  | PIPE                | 1   |                 | C     |
| 25      | +      | V471-001281  | PIPE                | 1   | 2.4*5*105       | C     |
| 26      |        | C450-001101  | CONTROL, THROTTLE   | 1   |                 | C     |
| 27      |        | V452-000850  | SPRING,TORSION      | 1   |                 | B     |
| 28      |        | C460-000630  | LOCKOUT, THROTTLE   | 1   |                 | C     |
| 29      |        | C411-000270  | LID,HANDLE          | 1   |                 | C     |
| 30      |        | P100-008550  | CAP ASY             | 1   |                 |       |
| 31      | +      | A365-000150  | CONNECTOR,CAP       | 1   |                 | B     |
| 32      | +      | 900720-20029 | O-RING              | 1   | P-29            |       |
| 33      |        | C400-001720  | HANDLE, FRONT       | 1   |                 | C     |
| 34      |        | V805-000140  | BOLT, TORX 5        | 3   | TB-5*12 10.9    | C     |
| 35      |        | V203-002470  | BOLT,5              | 1   |                 | C     |

Class : Consumable class

A:Fast moving parts B:Semi-fast moving parts C:Slow moving parts D:Order only as needed

# CHAIN BRAKE



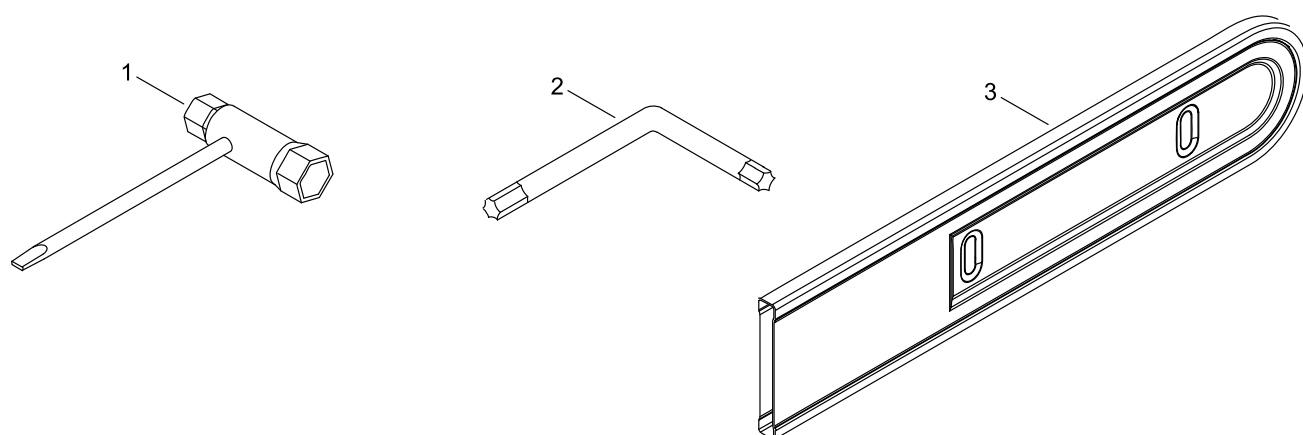
## CHAIN BRAKE

| Key No. | LV (+) | Parts Number | Parts Description    | Qty | Standard     | Class |
|---------|--------|--------------|----------------------|-----|--------------|-------|
| 1       |        | A056-000860  | CLUTCH ASY           | 1   |              | B     |
| 2       |        | P100-008460  | CLUTCH SHOE SET      | 1   |              |       |
| 3       | +      | A552-000490  | HUB, CLUTCH          | 1   |              | B     |
| 4       | +      | A566-000340  | SPRING, CLUTCH       | 3   |              | B     |
| 5       |        | A551-000200  | PLATE, CLUTCH        | 1   | 12*34*T1.6   | C     |
| 6       |        | V555-000150  | BEARING,NEEDLE       | 1   |              | B     |
| 7       |        | A556-001860  | DRUM, CLUTCH         | 1   | SML-7        | B     |
| 8       |        | 175114-12530 | SPROCKET, RIM .325   | 1   |              | B     |
| 9       |        | V307-000520  | WASHER,CIRCULAR 10   | 1   |              | C     |
| 10      |        | V583-000440  | RING                 | 1   | 8.1 T1.2     | C     |
| 11      |        | V356-000940  | COLLAR,10            | 1   |              | C     |
| 12      |        | V652-000271  | GEAR,WORM            | 1   |              | B     |
| 13      |        | V203-002460  | BOLT,5               | 1   |              | C     |
| 14      |        | C309-000200  | TENSIONER, CHAIN     | 1   |              | C     |
| 15      |        | C316-000100  | GUIDE, SHAFT         | 1   |              | D     |
| 16      |        | V355-000970  | COLLAR,8             | 1   |              | C     |
| 17      |        | V804-000050  | BOLT, TORX 4         | 1   | TB-4*12 10.9 | C     |
| 18      |        | P100-008480  | GUARD, SPROCKET ASY  | 1   |              |       |
| 19      | +      | C300-001180  | GUARD, SPROCKET      | 1   |              | C     |
| 20      | +      | C305-000540  | PLATE,SPROCKET GUARD | 1   | T0.5         | C     |
| 21      | +      | C302-000030  | PROTECTOR            | 1   |              | B     |
| 22      | +      | V265-000550  | NUT,8                | 2   |              | C     |
| 23      | +      | C649-000420  | HOOK                 | 2   |              | D     |
| 24      |        | C305-000530  | PLATE,SPROCKET GUARD | 1   | T0.5         | C     |
| 25      |        | C328-000380  | BAND, BRAKE          | 1   | T1           |       |
| 26      |        | C334-000380  | CONNECTOR, BRAKE     | 1   | SP,HOLDER    |       |
| 27      |        | 91381-04010  | SCREW, TAPPING       | 1   | 4*10         |       |
| 28      |        | C334-000350  | CONNECTOR, BRAKE     | 1   |              | C     |
| 29      |        | C334-000370  | CONNECTOR, BRAKE     | 1   |              | C     |
| 30      |        | 93050-30098  | ROLLER               | 2   | 3*9.8        |       |
| 31      |        | 93050-30098  | ROLLER               | 1   | 3*9.8        |       |
| 32      |        | V450-002360  | SPRING,COMPRESSION   | 1   |              | B     |
| 33      |        | V355-000460  | COLLAR,8             | 1   |              | C     |
| 34      |        | V452-000860  | SPRING,TORSION       | 1   |              | B     |
| 35      |        | P100-008471  | BRAKE LEVER ASY      | 1   |              | C     |
| 36      |        | V203-002450  | BOLT,5               | 2   | TB5*12       | C     |
| 37      |        | V303-000290  | WASHER               | 2   |              | C     |
| 38      |        | C345-000700  | COVER,BRAKE          | 1   |              | C     |
| 39      |        | V804-000050  | BOLT, TORX 4         | 2   | TB-4*12 10.9 | C     |
| 40      |        | V652-000260  | GEAR,WORM            | 1   |              | B     |
| 41      |        | 900701-00015 | RETAINING RING       | 1   | CS-15        |       |
| 42      |        | X502-001300  | LABEL,ECHO           | 1   | ECHO         |       |
| 43      |        | X505-010490  | LABEL,CAUTION        | 1   | SYMBOL       | D     |

Class : Consumable class

A:Fast moving parts B:Semi-fast moving parts C:Slow moving parts D:Order only as needed

# ACCESSORIES





## ACCESSORIES

| Key No. | LV (+) | Parts Number | Parts Description | Qty | Standard   | Class |
|---------|--------|--------------|-------------------|-----|------------|-------|
| 1       |        | X602-000160  | PLUG WRENCH       | 1   |            | D     |
| 2       |        | X605-000190  | TOOL,L WRENCH     | 1   | T27 120*80 | D     |
| 3       |        | X490-000570  | SCABBARD,CHAIN    | 1   |            | D     |

Class : Consumable class

A:Fast moving parts B:Semi-fast moving parts C:Slow moving parts D:Order only as needed

## GUIDE BAR, CHAIN

| Pitch<br>ピッチ | Gauge<br>ゲージ  | Length<br>長さ | Guide Bar<br>ガイドバー |                 | Saw Chain<br>ソーチェーン |            | Hard<br>Nose<br>ハード<br>ノーズ  | Sprocket<br>Nose<br>スプロケット<br>ノーズ   |
|--------------|---------------|--------------|--------------------|-----------------|---------------------|------------|---|---|
|              |               |              | Key №              | Type<br>形式      | Key №               | Type<br>形式 |   |   |
| .325<br>8.26 | 0.050<br>1.27 | 33           | A1                 | Y33R20-56ML- ED | A2                  | 95TXL-56E  |  |  |
| .325<br>8.26 | 0.050<br>1.27 | 35           | B1                 | Y35R20-60ML- ED | B2                  | 95TXL-60E  |   | ●   |
| .325<br>8.26 | 0.050<br>1.27 | 40           | C1                 | Y40R20-68ML- ED | C2                  | 95TXL-68E  |   | ●   |
| .325<br>8.26 | 0.050<br>1.27 | 45           | D1                 | Y45R20-72AL- ED | D2                  | 95TXL-72E  |   | ●   |

## GUIDE BAR, CHAIN

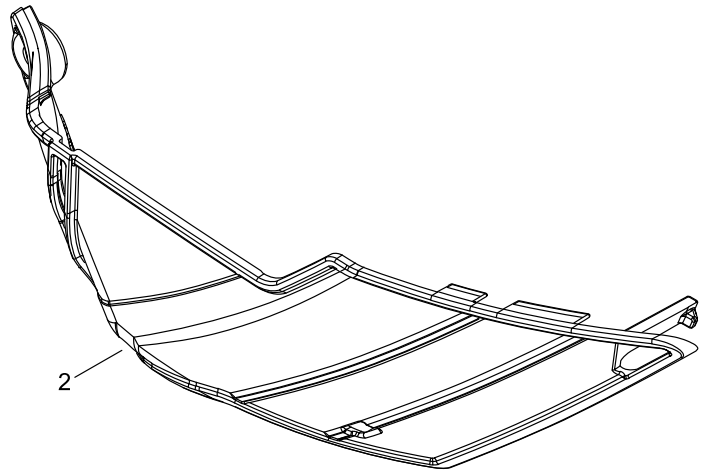
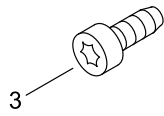
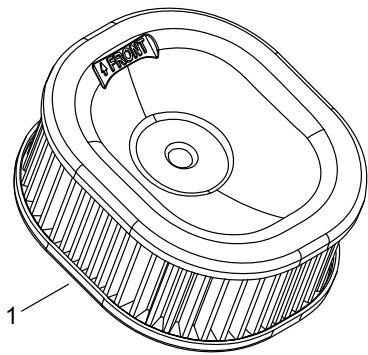
| Key No. | LV (+) | Parts Number | Parts Description | Qty | Standard        | Class |
|---------|--------|--------------|-------------------|-----|-----------------|-------|
| A1      |        | X122-000470  | BAR,GUIDE 30      | 1   | Y33R20-56ML- ED |       |
| A2      |        | X242-000010  | CHAIN,SAW         | 1   | 95TXL-56E       | A     |
| B1      |        | X123-000730  | BAR,GUIDE 35      | 1   | Y35R20-60ML- ED |       |
| B2      |        | X243-000010  | CHAIN,SAW         | 1   | 95TXL-60E       | A     |
| C1      |        | X124-000770  | BAR,GUIDE 40      | 1   | Y40R20-68ML- ED |       |
| C2      |        | X244-000110  | CHAIN,SAW         | 1   | 95TXL-68E       | A     |
| D1      |        | X125-000490  | BAR,GUIDE 45      | 1   | Y45R20-72AL- ED |       |
| D2      |        | X245-000060  | CHAIN,SAW         | 1   | 95TXL-72E       | A     |

Class : Consumable class

A:Fast moving parts B:Semi-fast moving parts C:Slow moving parts D:Order only as needed



OPTION PARTS



## OPTION PARTS

| Key No. | LV (+) | Parts Number | Parts Description   | Qty | Standard        | Class |
|---------|--------|--------------|---------------------|-----|-----------------|-------|
| 1       |        | A226-002320  | ELEMENT, AIR FILTER | 1   | 250             | A     |
| 2       |        | C418-000160  | SHIELD, SNOW        | 1   |                 | C     |
| 3       |        | V804-000000  | BOLT, TORX 4        | 1   | TT-4*12 DG 10.9 | C     |

Class : Consumable class

A:Fast moving parts B:Semi-fast moving parts C:Slow moving parts D:Order only as needed

# NUMERICAL PARTS INDEX

| Part No      | Part description      | Page | Part No     | Part description     | Page | Part No     | Part description    | Page |
|--------------|-----------------------|------|-------------|----------------------|------|-------------|---------------------|------|
| 100013-39730 | PIN, PISTON           | 2    | A200-001240 | INSULATOR, INTAKE    | 8    | C649-000420 | HOOK                | 18   |
| 100014-02260 | WASHER                | 2    | A200-001250 | INSULATOR, INTAKE    | 8    | P003-002380 | SCREW               | 10   |
| 123110-16130 | SCREW, PUMP COVER     | 10   | A202-000340 | BELLOWS, INTAKE      | 8    | P003-002910 | SPACER              | 10   |
| 123112-12330 | DIAPHRAGM, FUEL PUMP  | 10   | A202-000350 | BELLOWS, INTAKE      | 8    | P003-003650 | IDEL SCREW          | 10   |
| 123114-38830 | SCREW                 | 10   | A204-000270 | ELBOW, CARBURETOR    | 8    | P003-004460 | NEEDLE              | 10   |
| 123122-39830 | SPRING, METER. LEVER  | 10   | A219-000080 | SHUTTER, AIR         | 4    | P003-006320 | COVER, FUEL PUMP    | 10   |
| 123123-16130 | LEVER, METERING       | 10   | A226-002320 | ELEMENT, AIR FILTER  | 24   | P003-006330 | DIAPHRAGM, METERING | 10   |
| 123125-12330 | GASKET, FUEL PUMP     | 10   | A226-002330 | ELEMENT, AIR FILTER  | 8    | P003-006340 | COVER, M. DIAPHRAGM | 10   |
| 123126-10631 | SCREEN, INLET         | 10   | A235-000490 | KNOB,CLEANER LID     | 8    | P003-006350 | SHAFT ASY,THROTTLE  | 10   |
| 123130-02960 | SCREW                 | 10   | A241-000400 | KNOB, CHOKE          | 16   | P003-006360 | THROTTLE, LEVER     | 10   |
| 123133-04260 | SPRING, IDLE ADJUST   | 10   | A301-000090 | PLATE, MUFFLER       | 12   | P003-006370 | VALVE               | 10   |
| 123137-19830 | VALVE, INLET NEEDLE   | 10   | A356-000130 | VALVE,CHECK          | 4    | P003-006380 | SPRING              | 10   |
| 123138-03930 | PIN, METERING LEVER   | 10   | A365-000150 | CONNECTOR,CAP        | 4    | P003-006390 | VALVE               | 10   |
| 123139-03930 | SCREW, M. LEVER PIN   | 10   | A365-000150 | CONNECTOR,CAP        | 16   | P003-006400 | SPRING              | 10   |
| 123140-16130 | GASKET, M. DIAPHRAGM  | 10   | A369-000450 | STRAINER, FUEL       | 16   | P003-006410 | SCREW               | 10   |
| 123146-10631 | PLUG, WELCH           | 10   | A409-001390 | ROTOR, MAGNETO       | 6    | P003-006420 | SHAFT-CHOKE(MOLD)   | 10   |
| 123149-26030 | WASHER                | 10   | A425-000060 | SPARKPLUG            | 6    | P003-006430 | LEVER-FAST IDLE     | 10   |
| 123181-39130 | PUMP, PRIMER          | 16   | A426-000050 | SPRING SPARK PLUG    | 6    | P003-006520 | NEEDLE              | 10   |
| 131300-56431 | VENT ASSEMBLY, FUEL   | 16   | A427-000190 | CAP,SPARK PLUG       | 6    | P022-036780 | GRIP, STARTER       | 14   |
| 131328-40630 | COVER, VENT           | 16   | A514-000220 | PAWL                 | 6    | P022-054810 | CASE,STARTER ASY    | 14   |
| 132115-01462 | GROMMET               | 8    | A551-000200 | PLATE, CLUTCH        | 18   | P022-054830 | GUIDE ROPE          | 14   |
| 175114-12530 | SPROCKET, RIM .325    | 18   | A552-000490 | HUB, CLUTCH          | 18   | P022-054840 | DRUM                | 14   |
| 177236-61830 | SCREW                 | 14   | A556-001860 | DRUM, CLUTCH         | 18   | P022-054850 | SPRING, SPIRAL      | 14   |
| 433011-19831 | STUD, GUIDE BAR       | 4    | A566-000340 | SPRING, CLUTCH       | 18   | P022-054860 | SPRING,DAMPER       | 14   |
| 436205-14730 | STRAINER, OIL         | 2    | C022-000121 | AUTO-OILER ASSEMBLY  | 2    | P022-054870 | PLATE, CAM          | 14   |
| 437216-32631 | PIPE 3* 6*125         | 8    | C300-001180 | GUARD, SPROCKET      | 18   | P022-054890 | SPACE, PIPE         | 14   |
| 900515-00008 | NUT, FLANGE           | 6    | C302-000030 | PROTECTOR            | 18   | P022-054900 | ROPE                | 14   |
| 900602-00004 | WASHER                | 12   | C304-000140 | SPIKE                | 4    | P100-008310 | CYLINDER ASY        | 2    |
| 900701-00015 | RETAINING RING        | 18   | C305-000530 | PLATE,SPROCKET GUARD | 18   | P100-008320 | PISTON KIT          | 2    |
| 900720-20029 | O-RING                | 4    | C305-000540 | PLATE,SPROCKET GUARD | 18   | P100-008410 | CAP,OIL ASY         | 4    |
| 900720-20029 | O-RING                | 16   | C309-000200 | TENSIONER, CHAIN     | 18   | P100-008430 | MUFFLER ASY         | 12   |
| 900724-00022 | O-RING                | 8    | C310-000110 | CATCHER, CHAIN       | 4    | P100-008460 | CLUTCH SHOE SET     | 18   |
| 91381-04010  | SCREW, TAPPING        | 18   | C316-000100 | GUIDE, SHAFT         | 18   | P100-008471 | BRAKE LEVER ASY     | 18   |
| 93050-30098  | ROLLER                | 18   | C328-000380 | BAND, BRAKE          | 18   | P100-008480 | GUARD, SPROCKET ASY | 18   |
| 93115-03010  | KEY, WOODRUFF         | 6    | C334-000350 | CONNECTOR, BRAKE     | 18   | P100-008501 | CYLINDER COVER ASY  | 4    |
| 94035-36201  | BEARING, BALL         | 4    | C334-000370 | CONNECTOR, BRAKE     | 18   | P100-008520 | CLEANER COVER ASY   | 8    |
| A021-005350  | CARBURETOR, DIAPHRAGM | 8    | C334-000380 | CONNECTOR, BRAKE     | 18   | P100-008540 | HANDLE ASY, REAR    | 16   |
| A021-005350  | CARBURETOR, DIAPHRAGM | 10   | C345-000700 | COVER,BRAKE          | 18   | P100-008550 | CAP ASY             | 16   |
| A051-003480  | STARTER,RECOIL ASY    | 14   | C400-001720 | HANDLE, FRONT        | 16   | P100-011170 | SWITCH, ON OFF      | 4    |
| A056-000860  | CLUTCH ASY            | 18   | C411-000270 | LID,HANDLE           | 16   | P100-011180 | COIL, IGNITION      | 6    |
| A101-000800  | RING, PISTON          | 2    | C418-000160 | SHIELD, SNOW         | 24   | P100-011190 | CRANKCASE SET       | 4    |
| A127-000570  | COVER,DUST            | 8    | C450-001101 | CONTROL, THROTTLE    | 16   | V100-000890 | GASKET,CYL          | 2    |
| A161-000410  | DUCT, AIR             | 14   | C454-000600 | ROD, THROTTLE        | 16   | V102-000340 | GASKET,CRANKCASE    | 4    |
| A172-003610  | COVER,FAN             | 14   | C460-000630 | LOCKOUT, THROTTLE    | 16   | V104-002500 | GASKET,EXHAUST      | 12   |
|              |                       |      |             |                      |      | V130-000180 | GROMMET,CHOKE       | 16   |

# NUMERICAL PARTS INDEX

| Part No     | Part description   | Page | Part No     | Part description | Page |
|-------------|--------------------|------|-------------|------------------|------|
| V186-000510 | JOINT,PIPE         | 16   | V580-000110 | SNAP RING        | 2    |
| V202-000780 | BOLT,4             | 4    | V583-000440 | RING             | 18   |
| V202-000780 | BOLT,4             | 8    | V592-000290 | BEARING, BALL    | 4    |
| V202-000780 | BOLT,4             | 14   | V629-000000 | ROLLER           | 4    |
| V202-000790 | BOLT,4             | 8    | V652-000260 | GEAR,WORM        | 18   |
| V203-002250 | BOLT,5             | 6    | V652-000271 | GEAR,WORM        | 18   |
| V203-002450 | BOLT,5             | 18   | V804-000000 | BOLT, TORX 4     | 24   |
| V203-002460 | BOLT,5             | 18   | V804-000050 | BOLT, TORX 4     | 2    |
| V203-002470 | BOLT,5             | 16   | V804-000050 | BOLT, TORX 4     | 8    |
| V203-002480 | BOLT,5             | 4    | V804-000050 | BOLT, TORX 4     | 18   |
| V265-000550 | NUT,8              | 18   | V804-000100 | BOLT, TORX 4     | 4    |
| V266-000260 | NUT,10             | 4    | V804-000100 | BOLT, TORX 4     | 6    |
| V303-000290 | WASHER             | 18   | V804-000100 | BOLT, TORX 4     | 8    |
| V307-000520 | WASHER,CIRCULAR 10 | 18   | V804-000140 | BOLT, TORX 4     | 12   |
| V355-000460 | COLLAR,8           | 18   | V805-000000 | BOLT, TORX 5     | 16   |
| V355-000970 | COLLAR,8           | 18   | V805-000140 | BOLT, TORX 5     | 16   |
| V356-000940 | COLLAR,10          | 18   | V805-000180 | BOLT, TORX 5     | 4    |
| V376-001400 | SPACER             | 14   | V805-000210 | BOLT, TORX 5     | 2    |
| V420-005550 | CUSHION            | 4    | V805-000250 | BOLT, TORX 5     | 4    |
| V450-001170 | SPRING,COMPRESSION | 14   | V805-000250 | BOLT, TORX 5     | 12   |
| V450-002330 | SPRING,COMPRESSION | 16   | V805-000300 | BOLT, TORX 5     | 4    |
| V450-002340 | SPRING,COMPRESSION | 16   | V805-000390 | BOLT, TORX 5     | 16   |
| V450-002350 | SPRING,COMPRESSION | 16   | X122-000470 | BAR,GUIDE 30     | 22   |
| V450-002360 | SPRING,COMPRESSION | 18   | X123-000730 | BAR,GUIDE 35     | 22   |
| V452-000850 | SPRING,TORSION     | 16   | X124-000770 | BAR,GUIDE 40     | 22   |
| V452-000860 | SPRING,TORSION     | 18   | X125-000490 | BAR,GUIDE 45     | 22   |
| V452-000870 | SPRING,TORSION     | 6    | X242-000010 | CHAIN,SAW        | 22   |
| V456-000410 | HOLDER,SPRING      | 16   | X243-000010 | CHAIN,SAW        | 22   |
| V456-000420 | HOLDER,SPRING      | 16   | X244-000110 | CHAIN,SAW        | 22   |
| V470-001991 | PIPE               | 16   | X245-000060 | CHAIN,SAW        | 22   |
| V470-002370 | PIPE               | 2    | X490-000570 | SCABBARD,CHAIN   | 20   |
| V470-002380 | PIPE               | 16   | X502-000390 | LABEL,ECHO       | 4    |
| V470-002390 | PIPE               | 16   | X502-001300 | LABEL,ECHO       | 18   |
| V471-001281 | PIPE               | 16   | X503-016040 | LABEL,MODEL      | 8    |
| V471-002381 | PIPE               | 16   | X505-010490 | LABEL,CAUTION    | 18   |
| V475-009850 | TUBE               | 6    | X510-001310 | LABEL,SWITCH     | 4    |
| V485-003410 | LEAD               | 4    | X547-003790 | LABEL,ECHO       | 14   |
| V490-000500 | CLIP               | 16   | X602-000160 | PLUG WRENCH      | 20   |
| V490-001230 | CLIP               | 16   | X605-000190 | TOOL,L WRENCH    | 20   |
| V494-001250 | CAP                | 4    |             |                  |      |
| V495-003900 | BAND               | 6    |             |                  |      |
| V505-000070 | OIL SEAL           | 4    |             |                  |      |
| V508-000070 | OIL SEAL           | 4    |             |                  |      |
| V555-000140 | BEARING,NEEDLE     | 2    |             |                  |      |
| V555-000150 | BEARING,NEEDLE     | 18   |             |                  |      |