

HC-200AE
PARTS BOOK

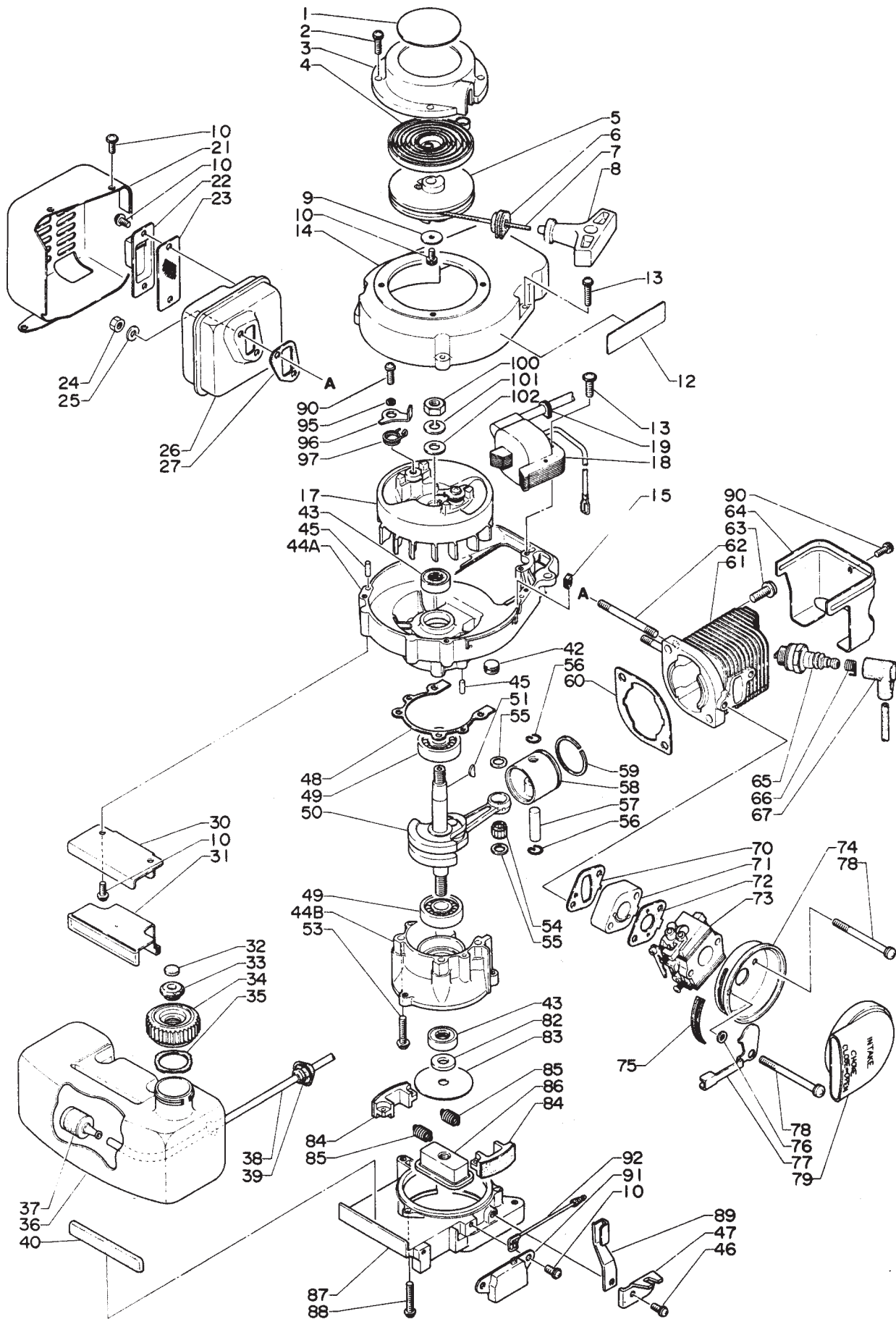
TYPE NUMBER

STARTING SERIAL NUMBER

ALL UNITS

DATE

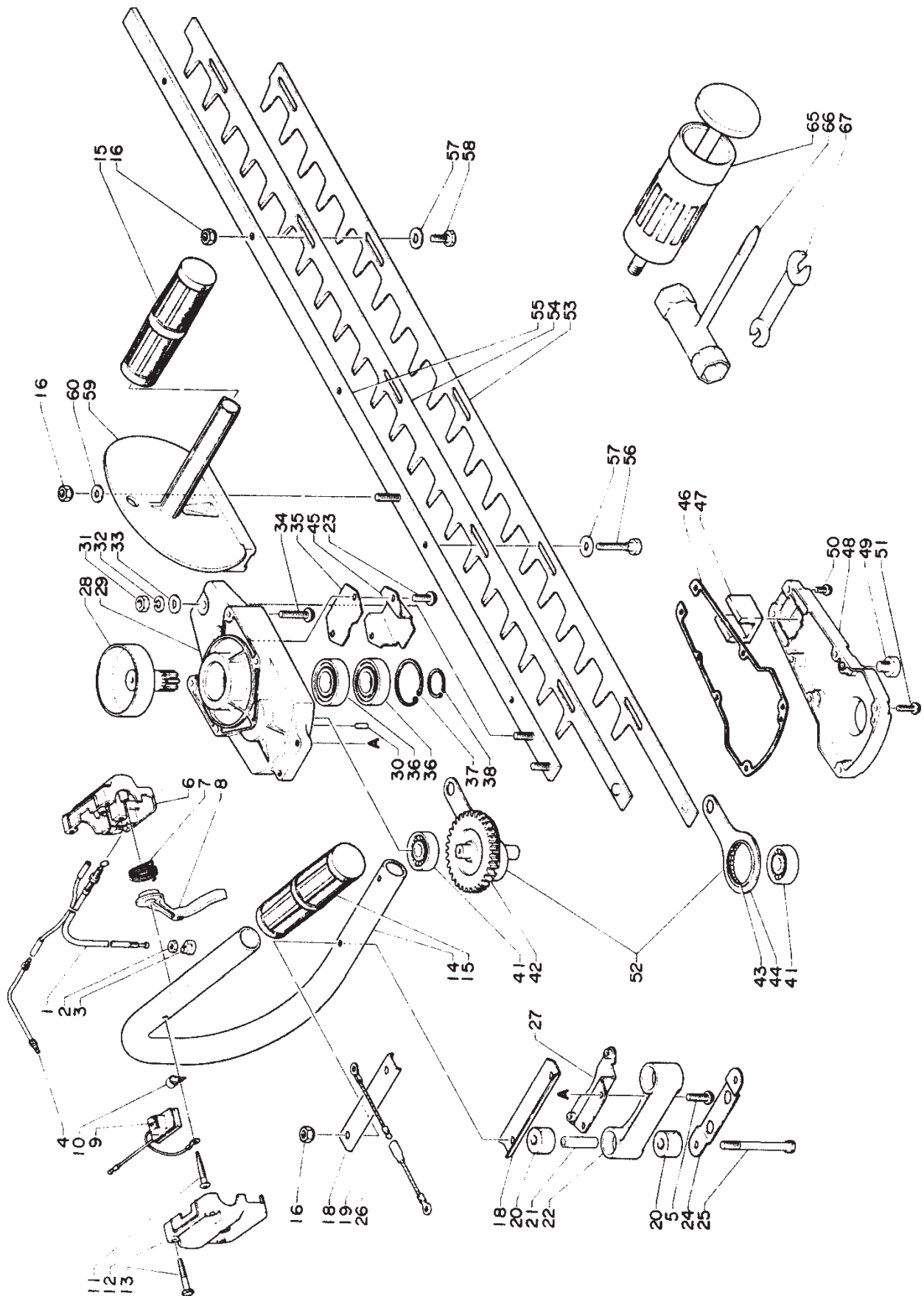
January 1, 1982



No.	Part No.	Q'ty	Description	Key No.	Part No.	Q'ty	Description		
1-	1	890 112-0603 1	1	Decal, ECHO	1-	50	100 100-0206 0	1	Crankshaft ass'y
	2	900 242-0401 4	4	Screw 4x14 w/W, SW		51	100 142-0031 0	1	Woodruff key
	*	177 200-0126 0	1	Recoil starter ass'y		53	900 242-0503 0	4	Screw 5x30, w/W, SW
	3	-177 209-0126 0	1	Starter case		54	100 113-0593 0	1	Needle bearing
	4	-177 220-0653 0	1	Rewind spring		55	100 014-0652 0	2	Spacer, piston pin
	5	-177 215-0653 0	1	Recoil drum		56	100 015-0463 0	2	Circlip
	6	-177 227-0126 0	1	Rope guide		57	100 013-1021 0	1	Piston pin
	7	-177 226-0653 0	1	Starter rope		58	100 010-0652 0	1	Piston
	8	-177 228-0653 0	1	Starter handle		59	100 011-0533 0	1	Piston ring
	9	-177 214-0463 0	1	Washer		60	101 010-0492 0	1	Gasket, cylinder base
	10	-900 242-0401 0	1	Screw 4x10 w/W, SW		61	101 011-0652 0	1	Cylinder
	10	900 242-0401 0	4	Screw 4x10 w/W, SW		62	101 014-0056 0	2	Stud muffler
	12	890 160-0393 0	1	Decal, caution		63	900 242-0602 0	2	Screw 6x20 w/W, SW
	13	900 242-0402 0	6	Screw 4x20 w/W, SW		64	101 514-0652 0	1	Cylinder cover
	14	101 511-0206 0	1	Fan cover		65	159 010-0033 0	1	Spark plug
	15	156 114-0732 0	1	Grommet		66	159 011-0051 0	1	Coil spring, plug cap
	17	152 801-0206 0	1	Flywheel		67	159 012-0162 0	1	Cap, spark plug
	18	152 626-0206 0	1	Ignition coil		70	130 010-0652 0	1	Gasket
	19	156 110-0492 0	1	Grommet		71	130 017-0126 0	1	Insulator
	**	145 803-0126 0	1	Muffler ass'y w/cover		72	130 016-0492 1	1	Gasket
	10	-900 242-0401 0	3	Screw 4x10 w/W, SW		73	123 000-0126 1	1	Carburetor ass'y
	21	-145 621-0126 0	1	Muffler cover		74	130 301-0126 0	1	Case, air cleaner
	***	-145 900-0652 0	1	Muffler ass'y		75	-178 810-0492 0	1	Grommet
	10	-900 242-0401 0	2	Screw 4x10 w/W, SW		76	178 516-0083 0	1	Washer
	22	-145 809-0652 0	1	Screen holder		77	178 515-0492 0	1	Choke shutter
	23	-145 862-0652 0	1	Screen		78	900 242-0505 7	2	Screw 5x57 w/W, SW
	26	-145 806-0652 0	1	Muffler		79	130 310-0492 1	1	Air filter
	27	-145 510-0652 0	1	Gasket, muffler		82	100 132-0653 0	1	Washer
	24	433 020-0083 0	2	Lock nut 5		83	175 019-0492 0	1	Side plate
	25	900 600-0000 5	2	Washer 5		84	175 009-0513 0	2	Clutch shoe
	30	131 910-0126 0	1	Bracket, fuel tank		85	175 018-0513 0	2	Clutch spring
	31	131 924-0126 0	1	Cushion		86	175 016-0733 0	1	Clutch boss
	****	131 004-0632 0	1	Cap ass'y, fuel tank		87	175 055-0206 0	1	Housing, clutch
	32	-131 315-0502 0	1	Filter, check valve		88	900 162-0402 5	3	H.S.H. bolt 4x25 w/W, SW
	33	-131 314-0632 0	1	Check valve		89	159 112-0126 0	1	Holder
	34	-131 017-0743 0	1	Cap, fuel tank		90	900 242-0501 0	3	Screw 5x10 w/W, SW
	35	-131 016-0492 0	1	Gasket, fuel tank cap		91	152 601-0206 0	1	T.C.I. module
	36	131 010-0126 0	1	Fuel tank		92	152 634-0206 0	1	Lead
	37	131 205-0653 0	1	Fuel strainer		95	177 247-0463 0	2	Spacer
	38	132 010-0126 0	1	Fuel pipe		96	177 218-0653 0	2	Ratchet
	39	132 115-0492 0	1	Grommet		97	177 234-0653 0	2	Ratchet spring
	40	131 920-0126 0	1	Cushion		100	900 500-0000 8	1	Nut 8
	42	100 223-0732 0	1	Plug		101	900 605-0000 8	1	Spring washer 8
	43	100 213-0553 0	2	Oil seal		102	900 600-0000 8	1	Washer 8
	44	100 200-0206 0	1	Crankcase set					
	45	-100 215-0393 0	4	Knock pin					
	46	900 242-0501 4	1	Screw 5x14 w/W, SW					
	47	178 132-0126 1	1	Bracket, throttle cable					
	48	100 242-0492 0	1	Gasket, crankcase					
	49	900 810-3620 1	2	Ball bearing 6201					

Remarks:

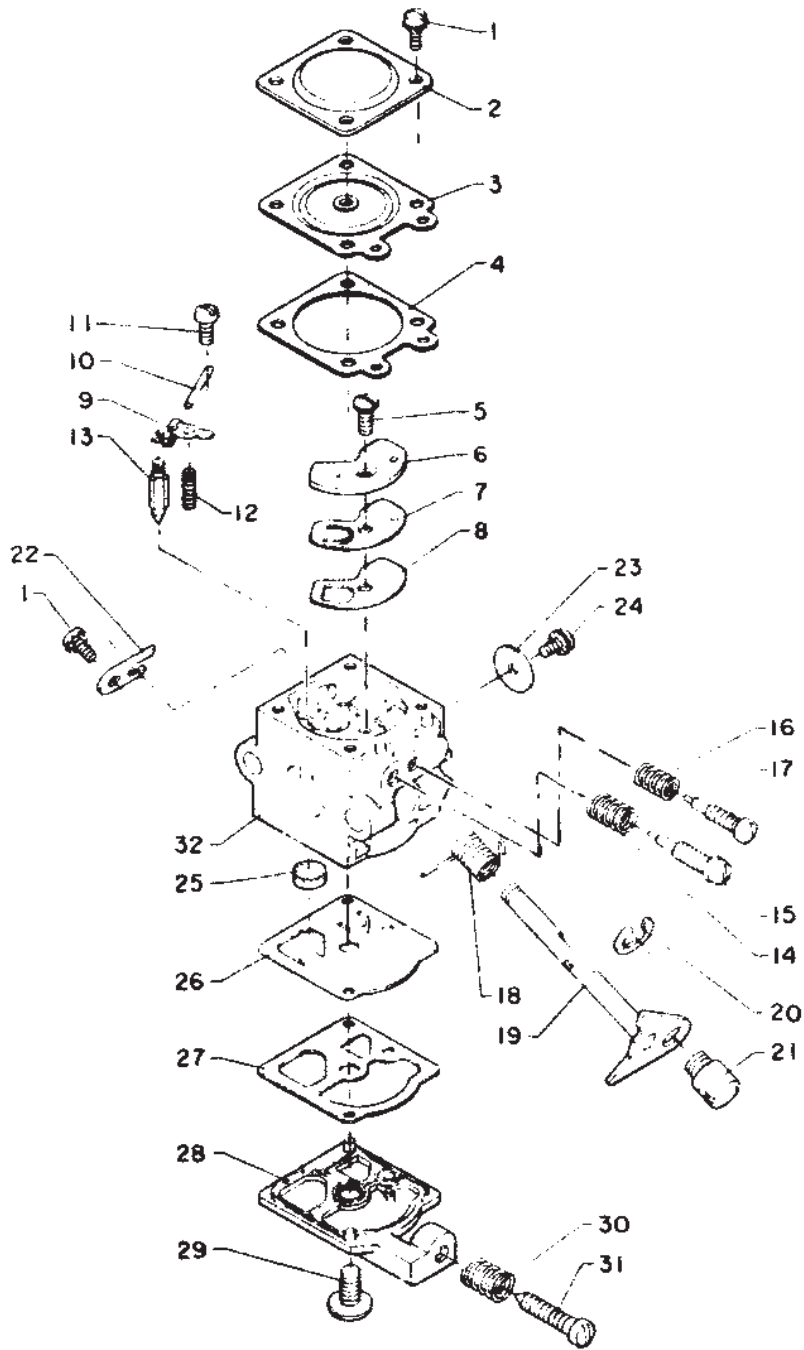
- * Consists of 3 thru 10.
- ** Consists of 10, 21 thru 23, 26 and 27.
- *** Consists of 10, 22, 23 and 26.
- **** Consists of 32 thru 35.



Key No.	Part No.	Q'ty	Description	Key No.	Part No.	Q'ty	Description
1	178 001-0126 0	1	Throttle cable	2- 32	900 605-0000 6	2	Spring washer 6
2	900 502-0000 6	1	Nut 6	33	900 600-0000 6	2	Washer 6
3	178 021-0733 0	1	Lock nut	34	900 242-0503 0	4	Screw 5x30 w/W, SW
4	162 021-0206 0	1	Lead	35	610 440-0126 0	1	Guide plate
5	900 242-0501 6	2	Screw 5x16	36	900 802-0600 3	2	Ball bearing 6003
6	178 024-0126 0	1	Bracket (A), throttle lever	37	900 702-0003 5	1	Circlip 35
7	178 043-0126 0	1	Return spring, throttle	38	900 701-0001 6	1	Circlip 16
8	178 010-0126 0	1	Throttle lever	41	900 810-0620 0	2	Ball bearing 6200
9	163 400-0793 0	1	Switch	45	610 441-0126 0	1	Guide
10	159 113-0126 0	1	Holder	46	610 414-0126 0	1	Gasket, gear housing
11	900 245-0403 0	1	Screw 4x30	47	610 426-0126 0	1	Felt
12	178 052-0126 0	1	Bracket (B), throttle lever	48	610 411-0126 0	1	Cover plate
13	900 245-0402 5	4	Screw 4x25	49	900 100-0800 8	1	Bolt 8x8
14	351 205-0126 0	1	Rear handle	50	900 242-0401 4	4	Screw 4x14 w/W, SW
15	351 012-0126 0	2	Grip	51	900 242-0402 2	2	Screw 4x22
16	433 020-0083 0	9	Lock nut 5	52	610 302-0126 0	1	Gear ass'y
18	351 243-0126 0	2	Bracket	42		1	Gear
19	162 010-0126 0	1	Ground wire	44	-610 307-0126 0	1	Connecting rod w/bearing
20	351 228-0126 0	4	Cushion	43	-610 327-0126 0	1	Needle bearing
21	351 241-0126 0	2	Spacer	53, 54	697 000-0126 0	1	Blade set
22	351 217-0126 0	1	Bracket, handle	55	699 105-0126 0	1	Frame bar
23	900 162-0501 4	2	H.S.H bolt 5x14	56	351 027-0126 0	1	Bolt
24	351 242-0126 1	1	Plate	57	699 118-0126 0	5	Washer
25	900 105-0506 0	2	H.S.H. Bolt 5x60	58	699 115-0126 0	4	Bolt
26	162 014-0126 0	1	Ground lead	59	351 010-0126 0	1	Front handle
27	610 438-0126 0	1	Plate	60	900 600-0000 5	2	Washer
28	175 005-0126 1	1	Clutch drum	65	880 300-0126 0	1	Grease gun
29	610 410-0126 0	1	Gear housing	66	895 410-0043 1	1	Wrench
30	-100 215-0393 0	2	Knock pin	67	895 112-0033 0	1	Spanner
31	900 500-0000 6	2	Nut 6				

Remarks:

52 Includes 42, 43 and 44.



Key No.	Part No.	Q'ty	Description	Key No.	Part No.	Q'ty	Description
3- *	123 000-0126 1	1	Carburetor ass'y	20	-123 127-1063 0	1	Clip
1	-123 144-0393 0	5	Screw	21	-123 172-0432 0	1	Swivel
2	-123 142-0393 0	1	Cover, metering diaphragm	22	-123 127-0393 0	1	Clip, throttle shaft
3	-123 141-0393 0	1	Diaphragm, metering	23	-123 116-0523 0	1	Valve, throttle
4	-123 140-0393 0	1	Gasket, metering diaphragm	24	-123 114-0393 0	1	Screw, throttle valve
5	-123 167-0523 0	1	Screw, circuit plate	25	-123 126-0393 0	1	Screw, inlet
6	-123 166-0393 0	1	Plate, circuit	26	-123 112-0393 0	1	Diaphragm, fuel pump
7	-123 165-0393 0	1	Diaphragm, circuit plate	27	-123 125-0393 0	1	Gasket, fuel pump
8	-123 164-0393 0	1	Gasket, circuit plate	28	-123 124-0623 0	1	Cover, fuel pump
9	-123 123-0393 0	1	Lever, metering	29	-123 110-0393 0	1	Screw, pump cover
10	-123 138-0393 0	1	Pin, metering lever	30	-123 133-1113 0	1	Spring, idle screw
11	-123 139-0393 0	1	Screw, metering lever pin	31	-123 134-0653 0	1	Screw, idle adjustment
12	-123 122-0393 0	1	Spring, metering lever	32	-not available	1	Body ass'y, carburetor
13	-123 137-0393 0	1	Valve, inlet needle				
14	-123 121-0393 0	1	Spring, H.S. needle				
15	-123 120-0126 1	1	Needle, high speed				
16	-123 121-0393 0	1	Spring, idle needle				
17	-123 118-0652 0	1	Needle, idle				
18	-123 113-0393 0	1	Spring, throttle return				
19	-123 117-0502 0	1	Shaft ass'y, throttle				

Remarks:

* Consists of 1 thru 32.