

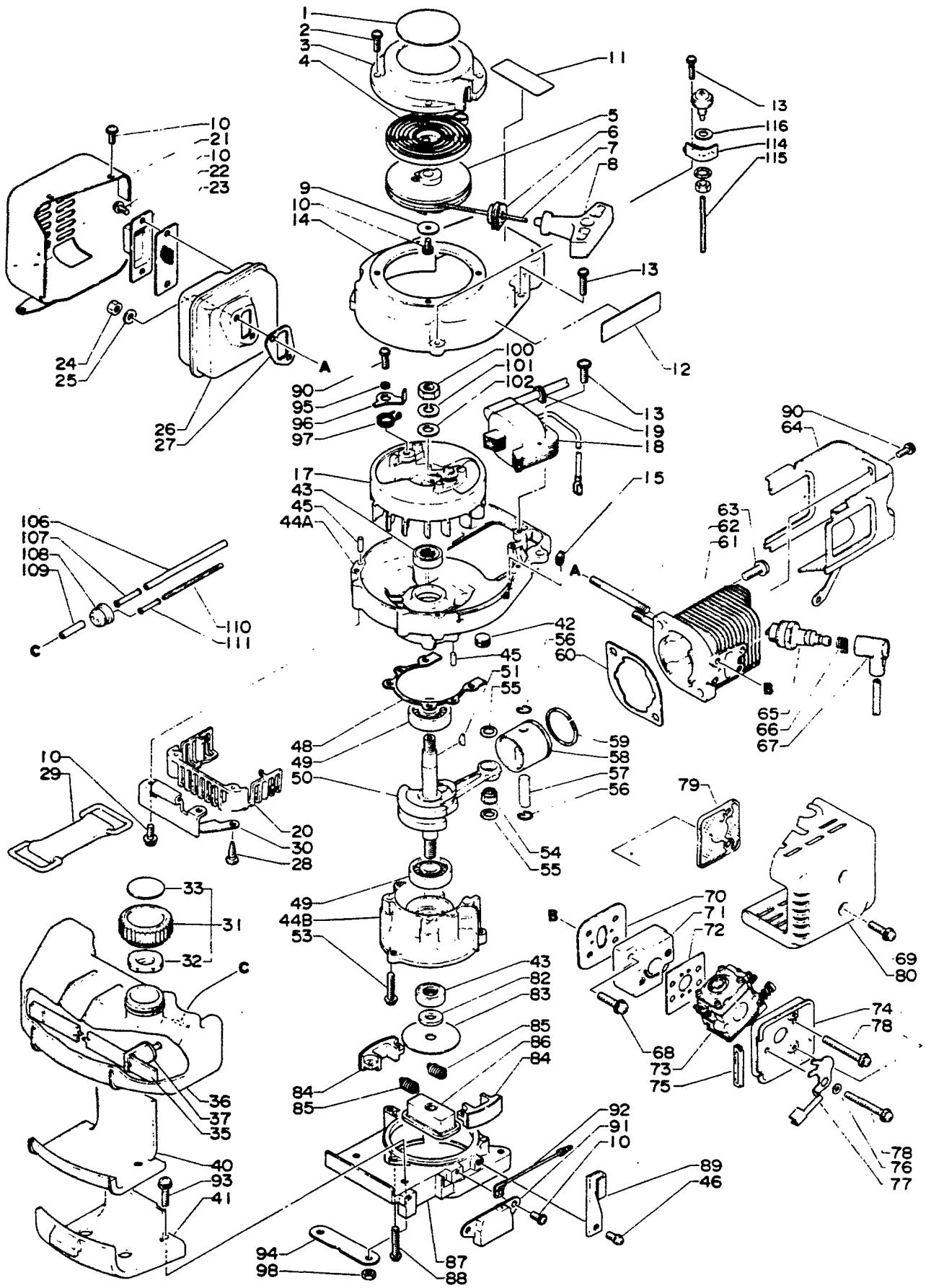


**HEDGE CLIPPER  
PARTS CATALOG  
MODEL HC-210E**

**ECHO, INCORPORATED  
400 OAKWOOD ROAD  
LAKE ZURICH, IL 60047**

**999222 01974  
0691**

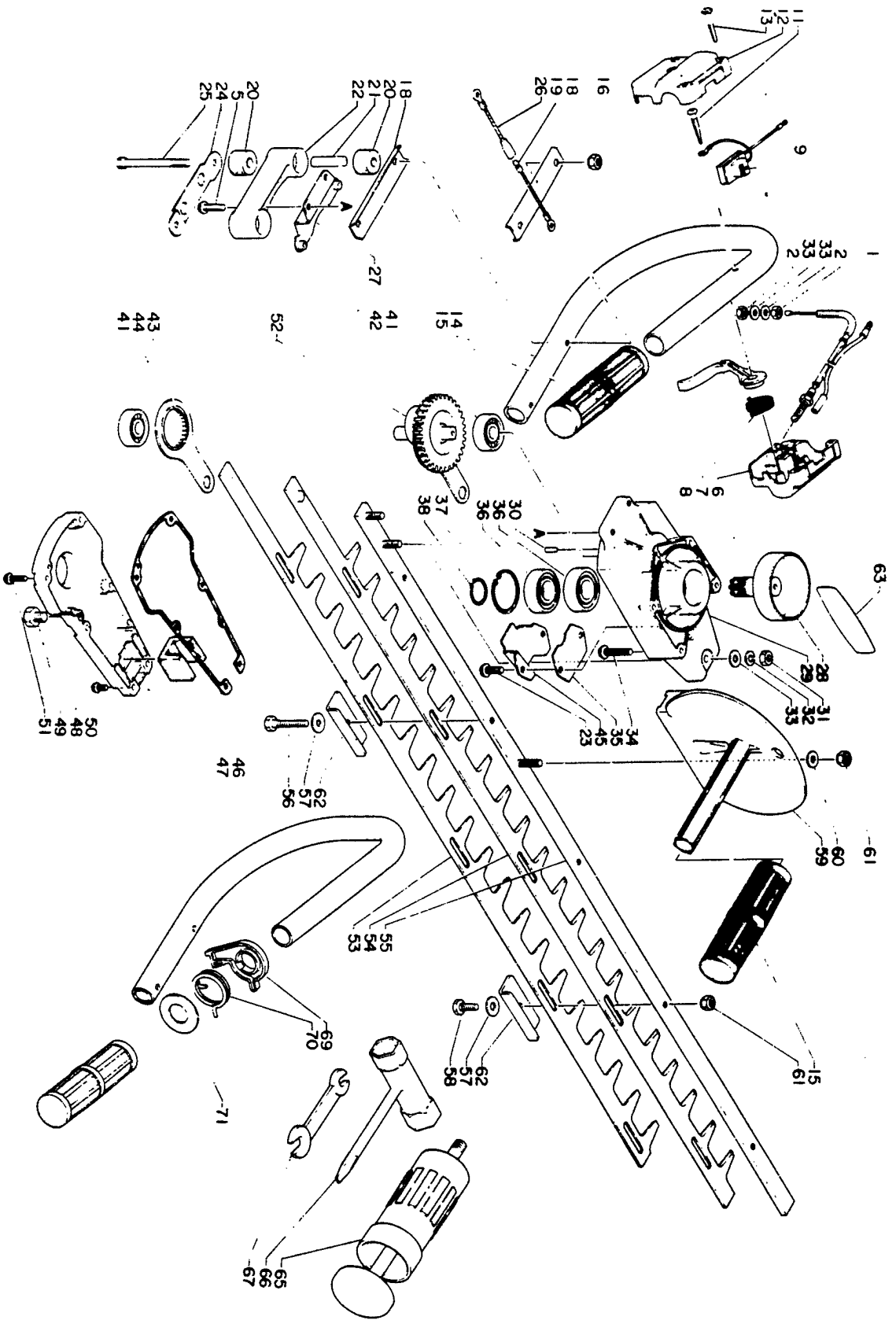
(1)



Key No.	Part No.	Q'ty	Description	Key No.	Part No.	Q'ty	Description
1- 1	890 112-0603 1	1	Label, ECHO	1- 58	100 010-0652 0	1	Piston
2	900 242-0401 4	4	Screw 4x14	59	100 011-0533 0	1	Ring, piston
*	177 200-0126 0	1	Starter ass'y	* 60	101 010-0492 0	1	Gasket, cyl. base
3	-177 209-0126 0	1	Case, starter	61	101 011-0932 0	1	Cylinder
4	-177 220-0653 0	1	Spring, rewind	62	101 014-0056 0	2	Stud, muffler
5	-177 215-0653 0	1	Reel, recoil	63	900 242-0602 0	1	Screw 6x20
6	-177 227-0126 0	1	Guide, rope	64	101 514-0296 0	1	Cover, cylinder
7	-177 226-0653 0	1	Rope, starter	65	159 010-0033 0	1	Plug, spark
8	-177 228-0653 0	1	Grip, starter	66	159 011-0051 0	1	Coil, spark plug cap
9	-177 214-0463 0	1	Washer	67	159 012-0162 0	1	Cap, spark plug
10	-900 242-0401 0	1	Screw 4x10	68	900 243-0502 0	2	Screw 5x20
10	900 242-0401 0	7	Screw 4x10	69	900 242-0401 8	2	Screw 4x18
11	890 115-0296 0	1	Label, model	70	130 010-0922 0	1	Gasket
12	890 160-0393 0	1	Label, caution	71	130 007-0932 0	1	Insulator
13	900 242-0402 0	4	Screw 4x20	72	130 016-0922 0	1	Gasket
14	101 511-0206 1	1	Cover, fan	73	123 000-0296 1	1	Carburetor ass'y
15	156 114-0732 0	1	Grommet	74	130 301-0296 0	1	Case, air cleaner
17	152 801-0206 0	1	Flywheel	75	-178 810-2163 0	1	Grommet
18	152 626-0206 0	1	Coil, ignition	76	178 516-0083 0	1	Washer
19	150 110-0913 0	1	Grommet	77	178 515-0922 0	1	Shutter, choke
20	100 616-0632 0	1	Cover	78	900 242-0504 0	2	Screw 5x40
**	145 803-0126 0	1	Muffler ass'y	79	130 310-0653 0	1	Filter, air
10	-900 242-0401 0	3	Screw 4x10	80	130 308-0922 0	1	Cover, air cleaner
21	-145 621-0126 0	1	Cover, muffler	82	100 132-0653 0	1	Washer
***	-145 900-0652 0	1	Muffler ass'y	83	175 019-0492 0	1	Side plate
10	--900 242-0401 0	2	Screw 4x10	84	175 009-0513 0	2	Shoe, clutch
22	--145 809-0652 0	1	Holder, screen	85	175 018-0513 0	2	Spring, clutch
23	--145 862-0652 0	1	Screen, muffler	86	175 016-0733 0	1	Hab, clutch
26	--145 806-0652 0	1	Muffler	87	175 055-0296 0	1	Housing, clutch
27	-145 510-0652 0	1	Gasket, muffler	88	900 162-0402 5	3	Bolt, H.S.H. 4x25
24	433 020-0083 0	2	Locknut 5	89	159 112-0296 0	1	Clip
25	900 600-0000 5	2	Washer 5	90	900 242-0501 0	3	Screw 5x10
28	900 245-0401 4	2	Screw 4x14	91	152 601-0206 0	1	T.C. ignition module
29	131 917-0296 0	1	Band, fuel tank	92	152 634-0206 0	1	Lead
30	131 910-0296 0	1	Bracket, fuel tank	93	900 242-0502 5	2	Screw 5x25
31	131 600-2213 0	1	Cap ass'y, fuel tank	94	131 911-0296 0	1	Washer
32	-131 314-0493 0	1	Valve, check	95	177 247-0463 0	2	Spacer
33	-890 154-1513 0	1	Label, fuel mix	96	177 218-0653 0	2	Ratchet
37	131205-07320	1	Strainer, fuel	97	177 234-0653 0	1	Spring, ratchet
35	-131 216-0296 0	1	Felt	98	900 500-0000 5	2	Nut 5
36	131 010-0296 0	1	Tank, fuel	100	900 510-0000 8	1	Nut 8 (L-h)
40	131 920-0296 0	1	Cushion	101	900 605-0000 8	1	Spring washer 8
41	131 918-0296 0	1	Bracket, fuel tank	102	900 600-0000 8	1	Washer 8
42	100 223-0732 0	1	Plug	106	132 012-0296 0	1	Pipe, fuel
43	100 213-0553 0	2	Oilseal	107	132 023-0296 0	1	Connector, fuel pipe
44	100 200-0206 0	1	Crankcase set	108	132 115-0296 0	1	Grommet
45	-100 215-0393 0	4	Pin, dowel	109	132 010-0296 0	1	Pipe, fuel
46	900 242-0501 4	1	Screw 5x14	110	132 717-0296 0	1	Pipe, fuel
* 48	USE KIT	1	Gasket, crankcase	111	132 021-0296 0	1	Connector, fuel pipe
49	900 810-3620 1	2	Bearing, ball 6201	114	132 910-0296 0	1	Bracket, fuel pump
50	100 100-0206 0	1	Crankshaft ass'y	115	132 716-0296 0	2	Pipe, fuel pump
51	100 142-0033 0	1	Key, woodruff	116	900 600-0001 0	1	Washer 10
53	900 242-0503 0	4	Screw 5x30	117	132013-02361	1	Clip, pipe
54	100 113-0593 0	1	Bearing, needle				
55	100 014-0652 0	2	Spacer, piston pin				
56	100 015-0463 0	2	Circlip, piston pin				
57	100 013-1021 0	1	Pin, piston				

\*USE GASKET KIT, P/N 889000-02960

REVISED 4/91

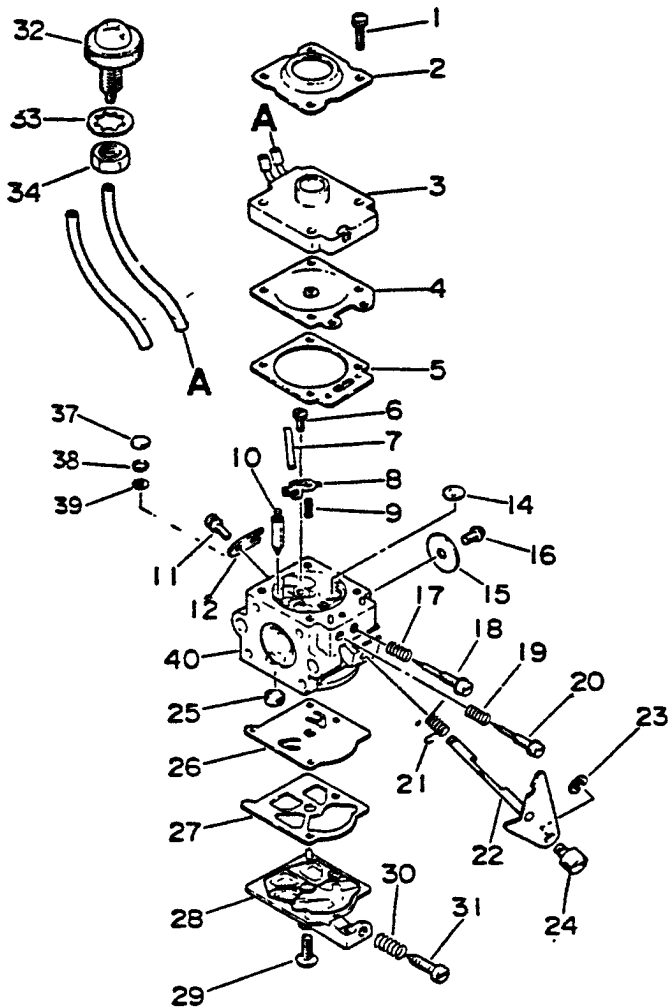


Key No.	Part No.	Q'ty	Description	Key No.	Part No.	Q'ty	Description
2-1	178 001-0296 0	1	Wire, throttle	2-41	900 810-0620 0	2	Bearing, ball 6200
2	900 502-0000 6	2	Nut 6	45	610 441-0206 0	1	Guide
5	900 242-0501 6	2	Screw 5x16	46	610 414-0126 0	1	Gasket, gear housing
6	178 024-0126 0	1	Bracket, throttle lever	47	610 426-0126 0	1	Felt
7	178 043-0126 0	1	Spring, throttle return	48	610 411-0206 0	1	Plate, cover
8	178 010-0126 0	1	Control, throttle	49	900 100-0800 8	1	Bolt 8x8
9	163 400-0793 0	1	Off-On switch	50	900 242-0401 4	4	Screw 4x14
11	900 245-0403 0	1	Screw 4x30	51	900 242-0402 2	2	Screw 4x22
12	178 052-0126 0	1	Bracket, throttle lever	52	610 302-0126 0	1	Gear ass'y
13	900 245-0402 5	4	Screw 4x25	42	- x x x - x x x	1	Gear
14	351 205-0206 1	1	Handle, rear	44	-610 307-0126 0	1	Con-rod, w/bearing
15	351 012-0126 0	2	Grip, handle	43	--610 327-0126 0	1	Bearing, needle
16	433 020-0083 0	2	Locknut 5	53,54	697 000-0206 0	1	Blade set SEE NOTE
18	351 243-0126 0	2	Bracket	55	699 105-0206 1	1	Bar, frame
19	162 010-0126 0	1	Lead, ground	56	351 027-0206 0	1	Bolt
20	351 228-0126 0	4	Cushion	57	699 118-0126 1	5	Washer
21	351 241-0126 0	2	Spacer	58	699 115-0206 2	4	Bolt
22	351 217-0126 0	1	Bracket, handle	59	351 010-0206 0	1	Handle, front
23	900 162-0501 4	2	Bolt, H.S.H. 5x14	60	900 602-0000 6	2	Washer 6
24	351 242-0126 1	1	Plate	61	145 710-0023 0	6	Locknut 6
25	900 105-0506 0	2	Bolt, H.S.H. 5x60	62	699 213-0206 2	5	Plate
26	162 014-0126 0	1	Lead, ground	63	890 138-2403 0	1	Label, ECHO
27	610 438-0126 0	1	Plate	65	880 300-0126 0	1	Pump, grease
28	175 005-0126 1	1	Drum, clutch	66	895 410-0043 1	1	Wrench 14x19 w/s.driver
29	610 410-0206 0	1	Housing, gear	67	895 112-0033 0	1	Spanner 8x10
30	-100 215-0393 0	1	Pin, dowel	69	178 012-0206 0	1	Lockout, throttle
31	900 500-0000 6	1	Nut 6	70	178 013-0206 0	1	Spring, throttle lock
32	900 605-0000 6	1	Washer, spring 6	71	178 070-0206 0	1	Spacer
33	900 600-0000 6	3	Washer 6				
34	900 242-0503 0	4	Screw 5x30				
35	610 440-0126 0	1	Plate, guide				
36	900 802-0600 3	2	Bearing, ball 6003				
37	900 702-0003 5	1	Circlip 35				
38	900 701-0001 6	1	Circlip 16				

NOTE: BLADE SET NOT AVAILABLE.  
ORDER AS SEPARATE ITEMS.

697010-02060 Upper Blade  
697011-02060 Lower Blade

REVISED 4/91



Key No.	Part No.	Q'ty	Description
3- *	123 000-0296 1	1	Carburetor ass'y
1	A	4	Screw
2	-123 142-0296 0	1	Cover, primer pump
3	-123 180-0296 0	1	Body, air purge
4	A B	1	Diaphragm, metering
5	A B	1	Gasket, m. diaphragm
6	A	1	Screw, m. lever pin
7	A	1	Pin, metering lever
8	A	1	Lever, metering
9	A	1	Spring, metering lever
10	A	1	Valve, inlet needle
11	-123 144-0393 0	1	Screw
12	-123 127-0393 0	1	Clip, throttle shaft
14	A	1	Plug, welch
15	-123 116-0523 0	1	Valve, throttle
16	-123 114-0393 0	1	Screw, throttle valve
17	A	1	Spring, idle needle
18	-123 118-2443 0	1	Needle, idle
19	A	1	Spring, H. speed needle
20	-123 120-0076 0	1	Needle, high speed
21	-123 113-0393 0	1	Spring, throttle return
22	-123 117-0296 0	1	Shaft, throttle
23	-123 127-1063 0	1	Clip
24	-123 172-0432 0	1	Swivel
25	A	1	Screen, inlet
26	A B	1	Diaphragm, fuel pump
27	A B	1	Gasket, fuel pump
28	-123 124-0296 0	1	Cover, fuel pump
29	-123 110-0393 0	1	Screw, pump cover
30	-123 133-0632 0	1	Spring, idle screw
31	-123 134-0632 0	1	Screw, idle adjustment
32	-123 181-0296 0	1	Body ass'y, primer
33	-900 610-0001 0	1	Lockwasher 10
34	-900 523-0001 0	1	Nut 10
37	A	1	Plug, welch
38	A	1	Ring
39	A	1	Screen, check valve
40	-not available	1	Body ass'y, carburetor

A- KWIK KIT 123 100-0296 0

B- DIAPHRAGM KIT 123 101-1053 0