



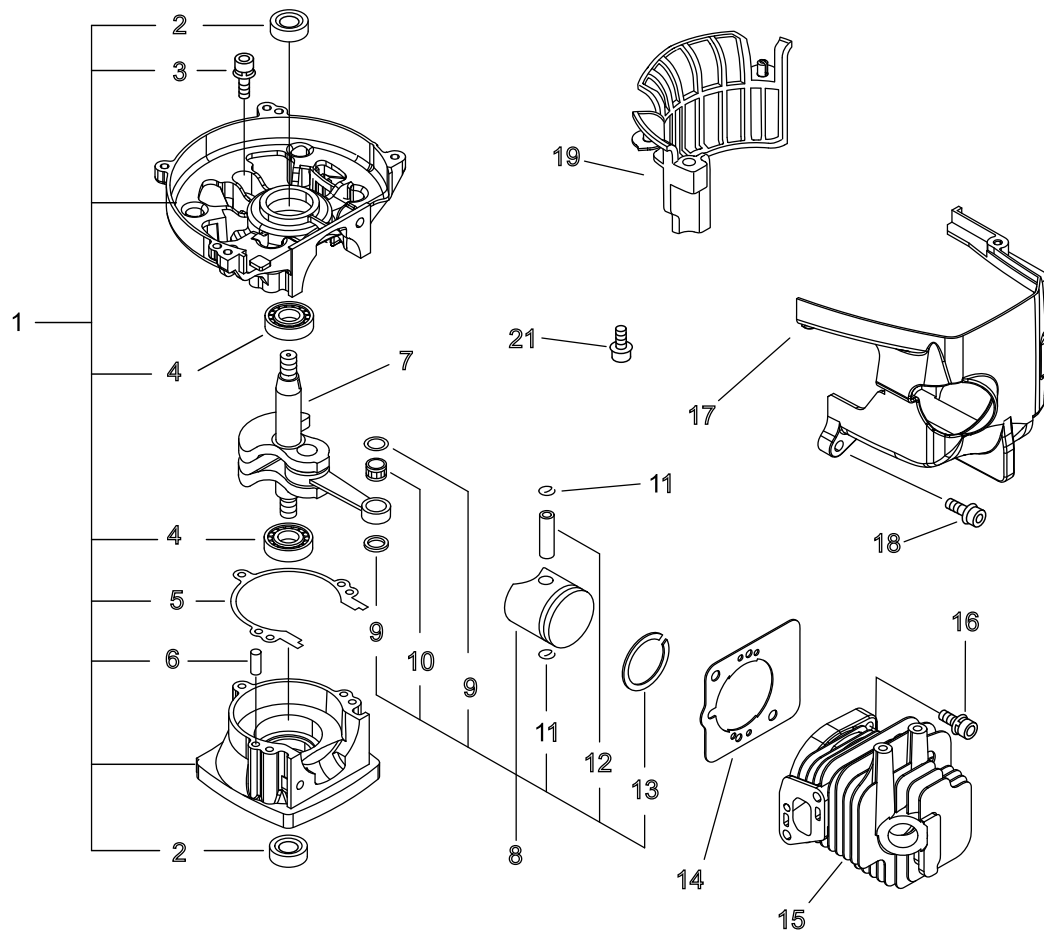
# **PARTS CATALOG**

## **HEDGE TRIMMER HCR-161ES(36)**

**36020833 -**

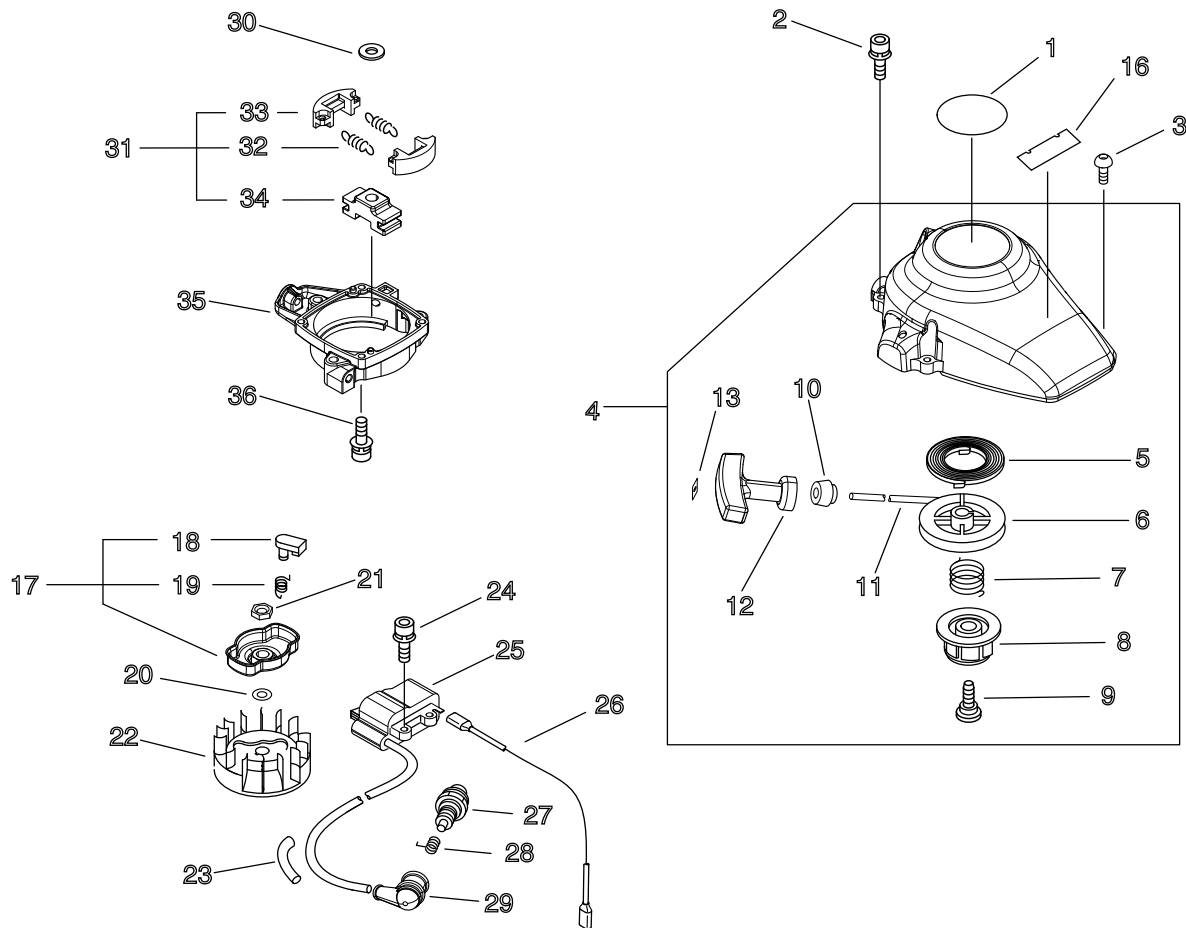
P014-000040-11Fc

# 1. CYLINDER, CRANKCASE, PISTON



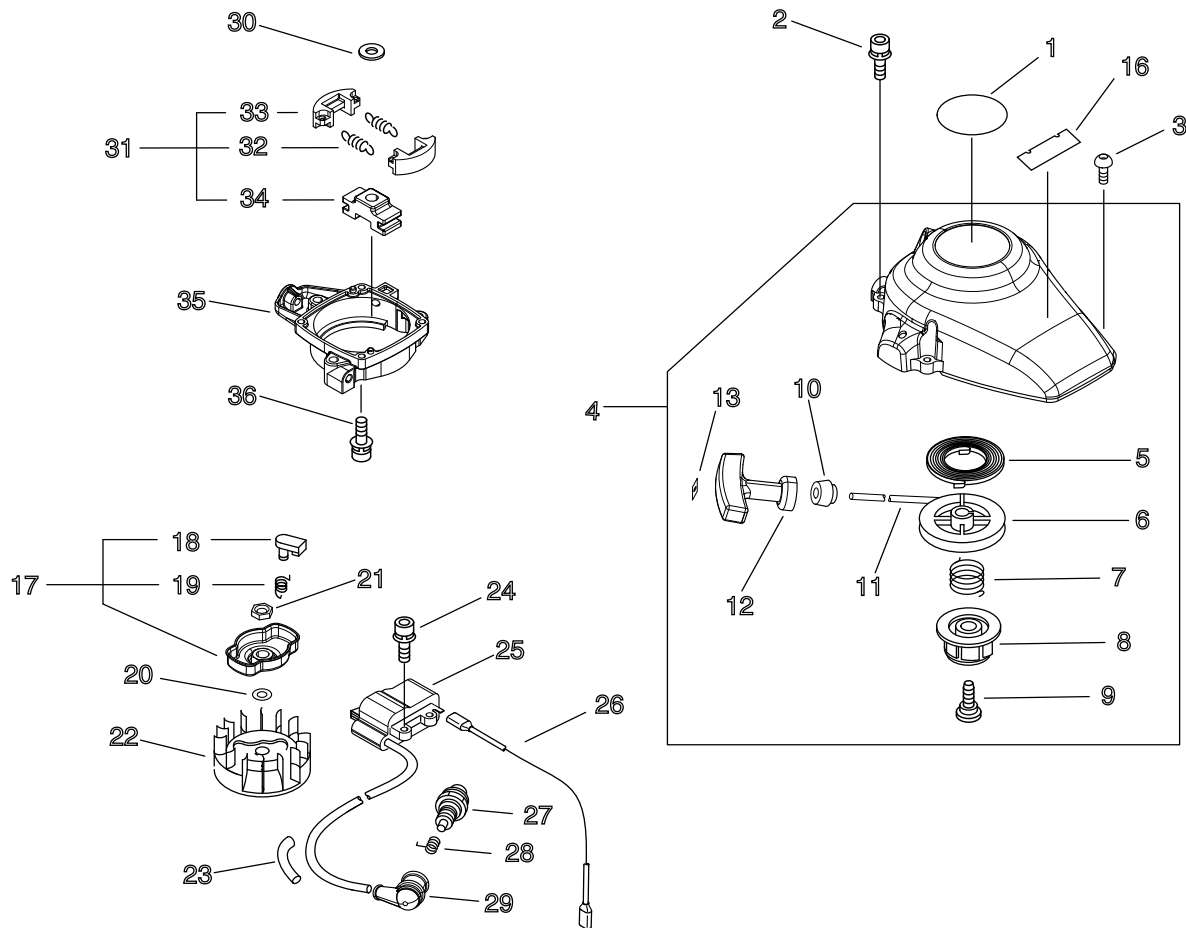
KEY	LV	PART NUMBER	Q'TY	DESCRIPTION	REMARKS	NOTE1	NOTE2
1		100204-52133	1	CRANKCASE KIT			
2	+	100212-42031	2	OILSEAL	ISCD 12*22*4.5		
3	+	900162-05028	3	BOLT, H.S. 5*28	5*28 W,SW		
4	+	94035-36201	2	BEARING BALL	6201X3JR2C3		
5	+	100242-42030	1	GASKET, CRANKCASE			
6	+	100215-03930	2	PIN, DOWEL		Sus. by 900330-40080	
6	+	900330-40080	2	PIN F 4*8	4*8		
7		A011-000223	1	CRANKSHAFT,ASM			
8		P021-007772	1	PISTON KIT			
9	+	100014-08960	2	SPACER, PISTON PIN			
10	+	100113-05930	1	BEARING, NEEDLE	8*12*8		
11	+	100015-04630	2	CIRCLIP, PISTON PIN			
12	+	100013-11520	1	PIN, PISTON			
13	+	A101-000090	1	RING,PISTON			
14		V100-000160	1	GASKET,CYL			
15		A130-000550	1	CYLINDER			
16		900162-05022	2	BOLT, H.S. 5*22	5*22 W,SW		
17		A160-000880	1	COVER,CYLINDER			
18		91121-05016	1	BOLT, FLANGE	10.9 SILVER		
19		A127-000170	1	COVER,DUST			
21		91118-05016	1	BOLT	CM-5*16		

2. STARTER, MAGNETO, CLUTCH



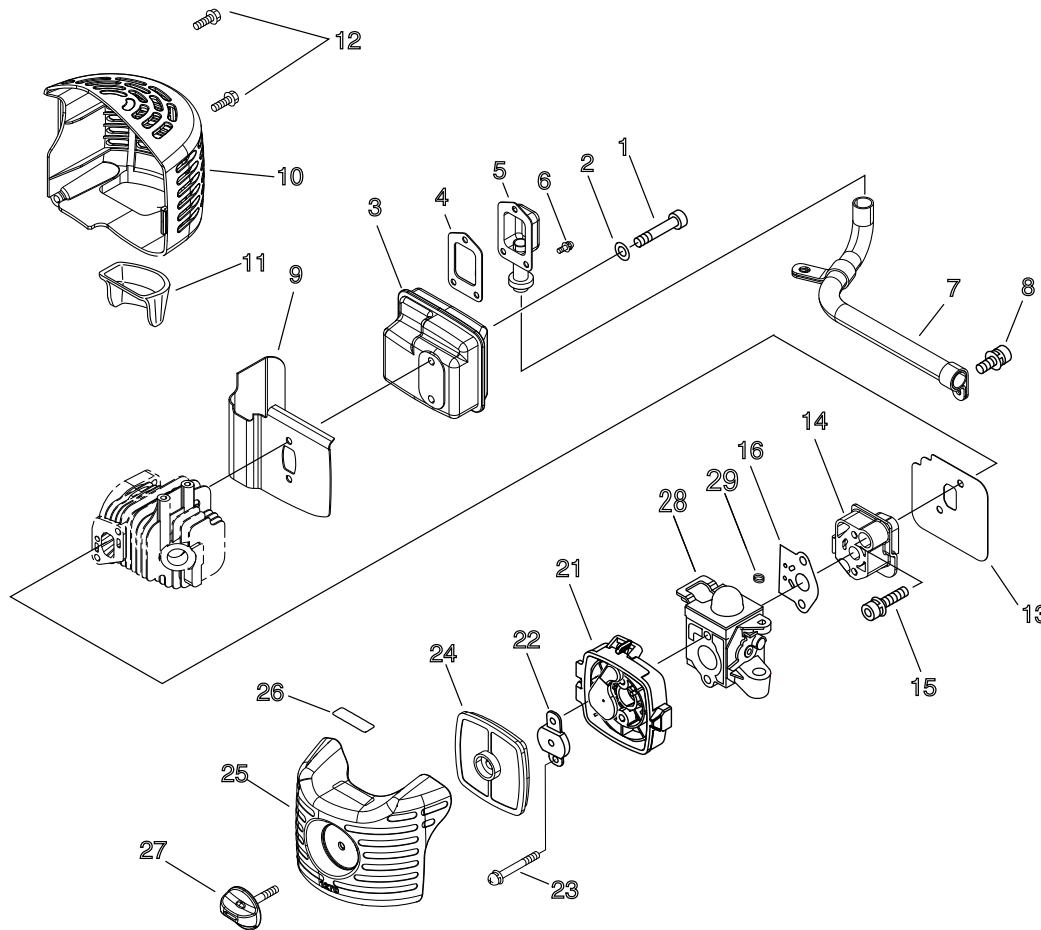
KEY	LV	PART NUMBER	Q'TY	DESCRIPTION	REMARKS	NOTE1	NOTE2
1		X502-000330	1	LABEL,ECHO	ECHO	Sus. by X502-000890	
1		X502-000890	1	LABEL,ECHO			
2		V202-000090	4	BOLT,4	4*16		
3		V202-000030	1	BOLT,4			
4		A051-001110	1	STARTER,RECOIL ASY		Sus. by A051-001111	
4		A051-001111	1	STARTER,RECOIL ASY		Sr/Nr 36022838 and after	
5	+	177220-42030	1	SPRING, REWIND			
6	+	P022-006830	1	DRUM		Sus. by P050-009910	
6	+	P022-034080	1	DRUM		Sr/Nr 36022838 and after	
7	+	V452-000150	1	SPRING,TORSION		Sus. by P050-009910	
7	+	V452-000150		SPRING,TORSION		Sr/Nr 36022838 and after	
8	+	A507-000030	1	CATCHER,PAWL		Sus. by P050-009910	
8	+	P022-034090	1	PLATE		Sr/Nr 36022838 and after	
9	+	177236-61830	1	SCREW			
10	+	177227-42030	1	GUIDE, ROPE			
11	+	P022-008260	1	ROPE	3M/M		
12	+	177228-27030	1	GRIP, STARTER			

2. STARTER, MAGNETO, CLUTCH



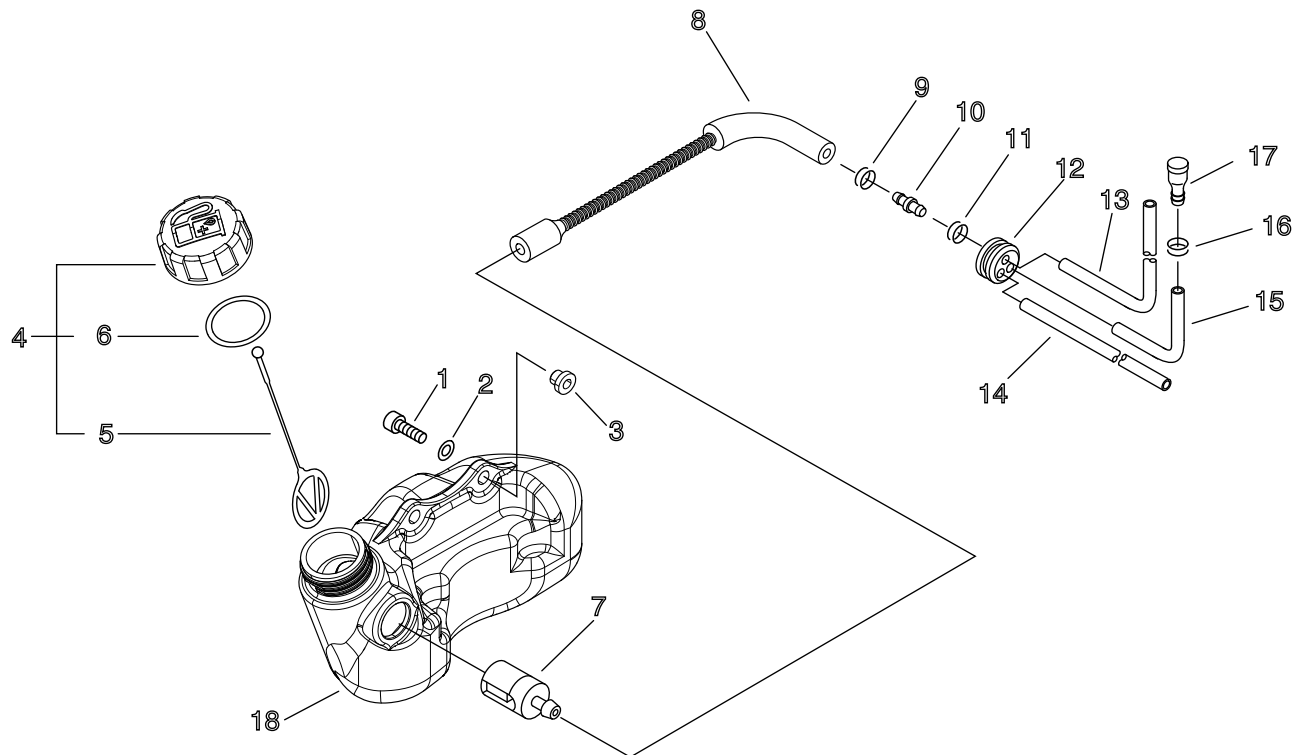
KEY	LV	PART NUMBER	Q'TY	DESCRIPTION	REMARKS	NOTE1	NOTE2
13	+	177246-11120	1	CLIP, STARTER ROPE			
16		X503-007710	1	LABEL,MODEL	HCR-161ES		
17		A052-000210	1	PULLEY,ASM STARTER			
18	+	P022-020030	2	PAWL, STARTER			
19	+	P022-007980	2	SPRING, RETURN			
20		900600-00008	1	WASHER 8	8		
21		900512-00008	1	NUT 3N 8 (L-H)	3N 8		
22		A409-000210	1	ROTOR,MAGNETO			
23		V475-001610	1	TUBE	7*8.6*55 HST-10		
24		91113-04020	2	BOLT	CM-4*20 SW,W		
25		A411-000130	1	COIL,IGNITION			
26		V485-000870	1	LEAD	L=190,#187,CA104		
27		A425-000000	1	SPARKPLUG	BPMR8Y		
28		A426-000010	1	TERMINAL,SPARKPLUG			
29		A427-000013	1	CAP,SPARK PLUG			
30		610350-12360	1	WASHER			
31		A056-000190	1	CLUTCH ASY	M8*1.25		
32	+	A566-000000	2	SPRING, CLUTCH			
33	+	175017-44331	2	SHOE, CLUTCH			
34	+	A552-000080	1	HUB, CLUTCH			
35		A570-000140	1	CASE,CLUTCH			
36		900163-04016	4	BOLT HSH			

### 3. AIR CLEANER, CARBURETOR



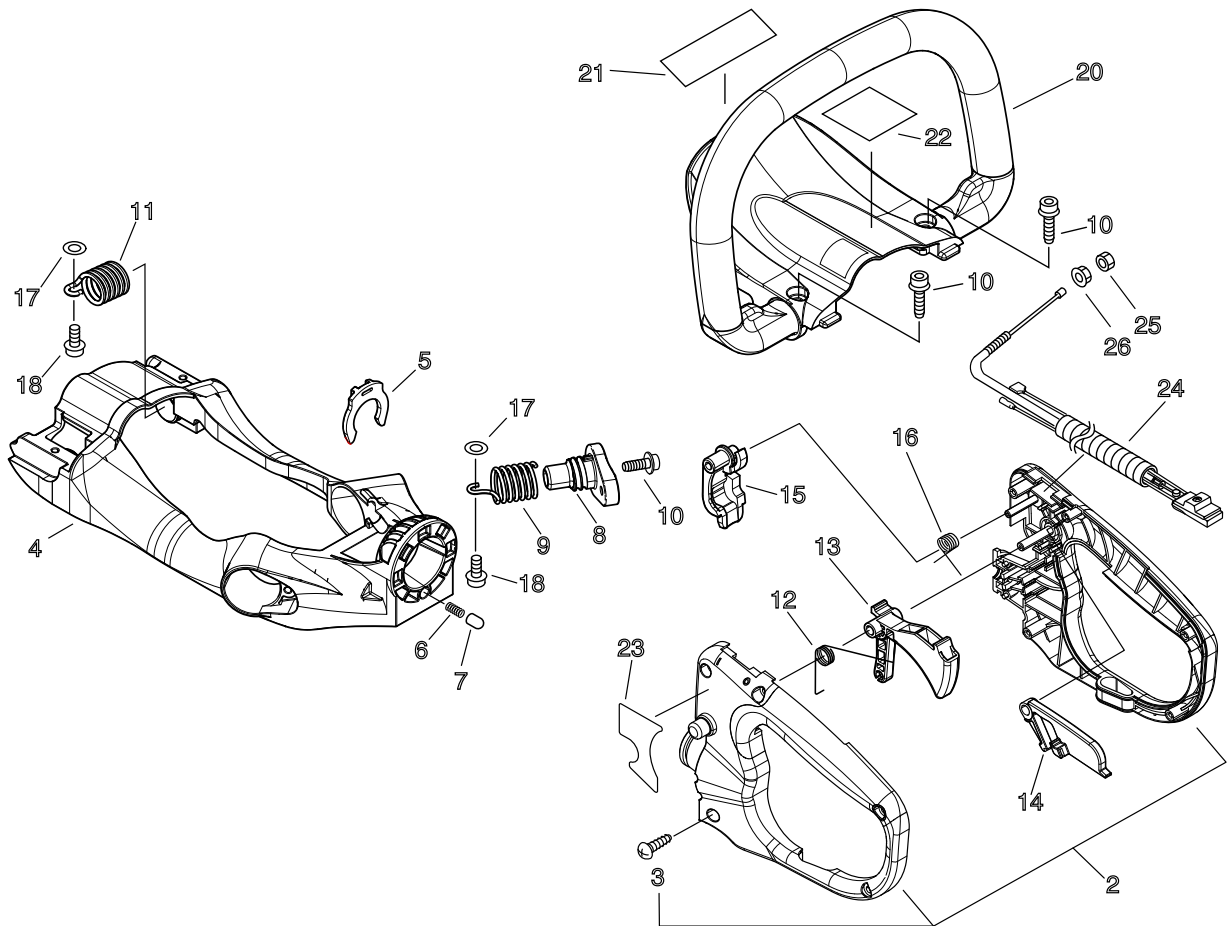
KEY	LV	PART NUMBER	Q'TY	DESCRIPTION	REMARKS	NOTE1	NOTE2
1		900105-05055	2	BOLT, H.S. 5*55	5*55		
2		900600-00005	2	WASHER 5	5		
3		145806-42030	1	MUFFLER			
4		145866-42031	1	GASKET, MUFFLER LID			
5		A313-000870	1	GUIDE, EXHAUST			
6		900242-04010	3	SCREW 4*10	4*10		
7		A313-000880	1	GUIDE, EXHAUST			
8		91107-04010	1	BOLT, FLANGE	M4*10		
9		V104-000850	1	GASKET, EXHAUST	T1.0		
10		A320-000430	1	COVER, MUFFLER			
11		A323-000010	1	PIECE, COVER			
12		91121-05016	2	BOLT, FLANGE	10.9 SILVER		
13		V103-000180	1	GASKET, INTAKE			
14		A200-000300	1	INSULATOR, INTAKE			
15		900162-05025	2	BOLT, H.S. 5*25	5*25 W, SW		
16		V103-000410	1	GASKET, INTAKE	T:0.5		
21		A225-000240	1	CASE, CLEANER			
22		129011-52730	1	PLATE, PREVENT			
23		900242-05065	2	SCREW 5*65	5*65		
24		A226-001410	1	ELEMENT, AIR FILTER			
25		A232-000400	1	LID, CLEANER			
26		890332-52730	1	LABEL, CHOKE			
27		V299-000250	1	KNOB, FASTENER			
28		A021-001671	1	CARBURETOR, DIAPHRAGM			
29		V490-001100	1	CLIP			

## 4. FUEL TANK



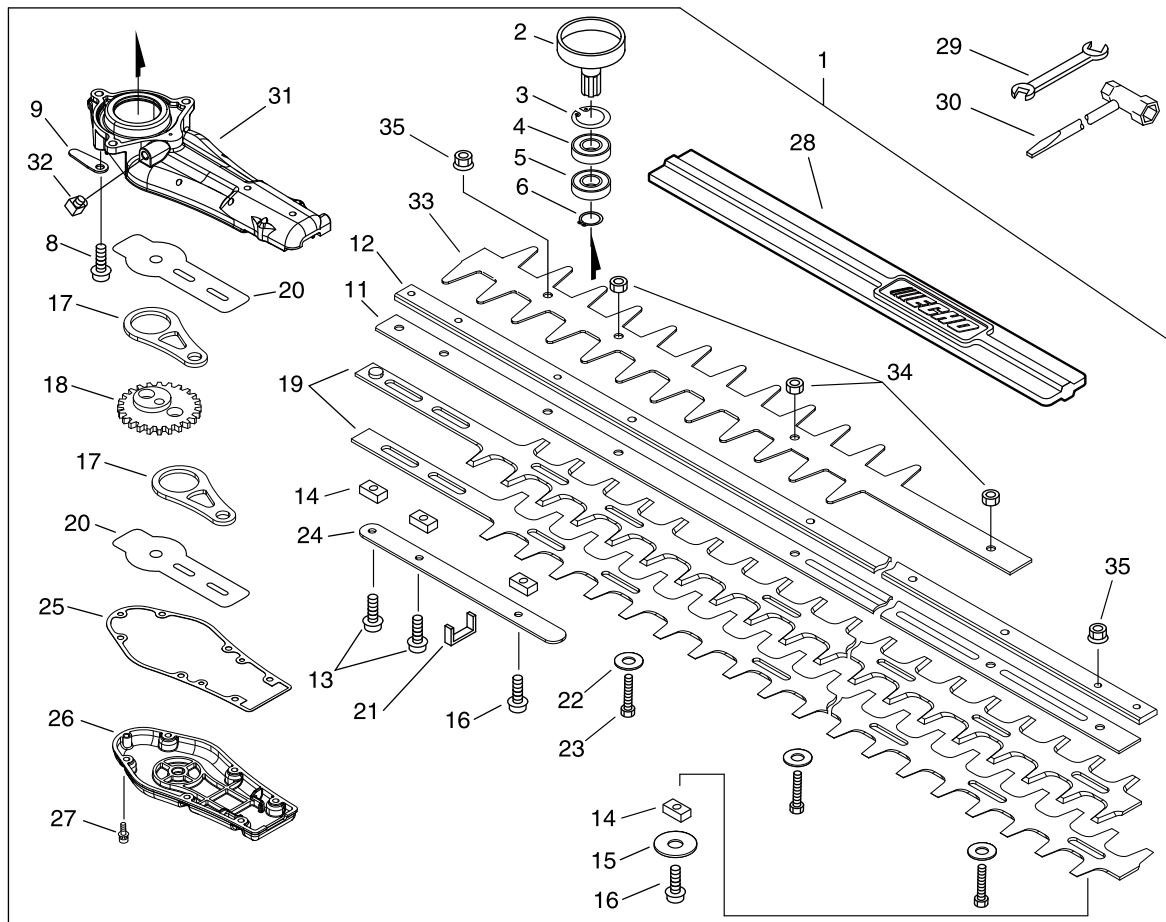
KEY	LV	PART NUMBER	Q'TY	DESCRIPTION	REMARKS	NOTE1	NOTE2
1		91118-05020	3	BOLT	CM-5*20		
2		900603-00005	3	WASHER 5	5.5*12*0.8		
3		V353-000231	3	COLLAR,5	16*5.5 L6 T2		
18		A350-000590	1	TANK, FUEL			
4		P021-012210	1	CAP, FUEL ASY			
5	+	A365-000060	1	CONNECTOR, CAP	L=123		
6	+	131016-55830	1	GASKET, FUEL CAP			
7		131205-07320	1	STRAINER, FUEL			
8		132012-12361	1	PIPE			
9		132013-26630	1	CLIP	6.5MM	Sus. by V490-001230	
9		V490-001230	1	CLIP			
10		V186-000020	1	JOINT, PIPE		Sus. by V186-000510	
10		V186-000510	1	JOINT, PIPE			
11		132013-09820	1	CLIP	6MM	Sus. by V490-001240	
11		V490-001240	1	CLIP			
12		132115-55930	1	GROMMET, FUEL			
13		130110-54430	1	PIPE, IMPULSE	3*6*105 NBR		
14		132010-40830	1	PIPE 3*6*75	3*6*75 YL		
15		V471-001880	1	PIPE	3*6*65		
16		437411-19830	1	CLIP, OIL PIPE			
17		A356-000031	1	VALVE, CHECK			

## 5. HANDLE



KEY	LV	PART NUMBER	Q'TY	DESCRIPTION	REMARKS	NOTE1	NOTE2
2		P021-013051	1	HANDLE SET, REAR			
3	+	900256-04016	5	SCREW 4*16			
4		C600-000860	1	FRAME			
5		C423-000280	1	FIXTURE, HANDLE			
6		V450-000630	1	SPRING, COMPRESSION	5.1/3.5		
7		605611-13360	1	PIN			
8		V456-000040	2	HOLDER, SPRING			
9		V450-000610	2	SPRING, COMPRESSION			
10		91147-05020	4	BOLT HS FL TAPP			
11		V450-000620	2	SPRING, COMPRESSION			
12		V452-000300	1	SPRING, TORSION			
13		C450-000250	1	CONTROL, THROTTLE			
14		C460-000090	1	LOCKOUT, THROTTLE			
15		C427-000020	1	STOPPER, HANDLE			
16		V452-000310	1	SPRING, TORSION			
17		900603-00005	4	WASHER 5	5.5*12*0.8		
18		900106-05016	4	BOLT, H.S. 5*16	5*16		
20		C400-000480	1	HANDLE, FRONT			
22		X505-002030	1	LABEL, CAUTION	37*35		
23		X532-000740	1	LABEL, OPERATION			
24		P021-015250	1	CABLE, ASM CONTROL			
25		900502-00006	1	NUT 6 (3N)	3N6		
26		900515-00006	1	NUT, FLANGE 6	6		

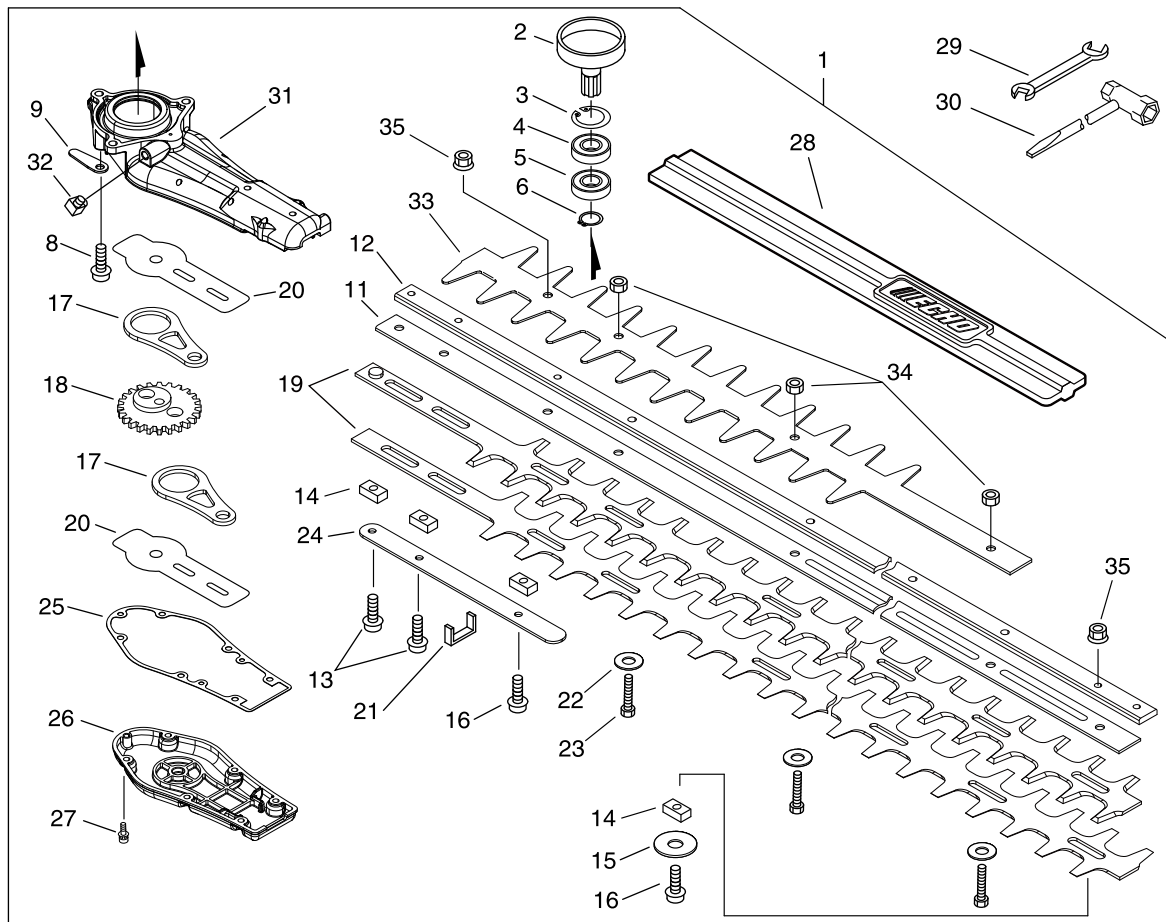
## 6. GEAR CASE, CUTTER



KEY	LV	PART NUMBER	Q'TY	DESCRIPTION	REMARKS	NOTE1	NOTE2
1		P021-041740	1	CASE, GEAR ASY			
2	+	A556-000470	1	DRUM, CLUTCH			
3	+	900702-00035	1	CIRCLIP 35	CR-35		
4	+	900812-06202	1	BEARING, BALL 6202	6202DDU(LLU)		
5	+	900810-36202	1	BEARING, BALL 6202	6202/C3		
6	+	900701-00014	1	CIRCLIP 14	CS-14		
8	+	91107-06020	3	BOLT HSH FLANGE	M6*20		
9	+	C628-000030	1	PIECE, PLATE			
34	+	433022-06460	3	NUT			
11	+	X425-000840	1	SUPPORT,CUTTER			
12	+	X425-000350	1	SUPPORT,CUTTER			
13	+	900106-05025	2	BOLT, H.S. 5*25	5*25		
14	+	V353-000250	4	COLLAR	9*7.45*5.3		
15	+	177214-21860	1	WASHER	5.2*16*1.6T		
16	+	91107-05022	2	BOLT, FLANGE	M5*22		
17	+	C532-000170	2	ROD, CONNECTING			
18	+	V650-000300	1	GEAR, SPUR	46T		
19	+	X411-000570	2	CUTTER			
20	+	V150-001810	2	PLATE,EYE	T0.5		
21	+	V541-000140	1	SEAL			
22	+	699118-04560	3	WASHER			
23	+	699115-07760	3	BOLT, CUTTER			
24	+	V150-001800	1	PLATE,EYE	T2.0		
25	+	V110-000060	1	GASKET, GEAR CASE	T0.3		
26	+	C539-000020	1	LID, GEARCASE			
27	+	91118-04016	6	BOLT	CM-4*14		

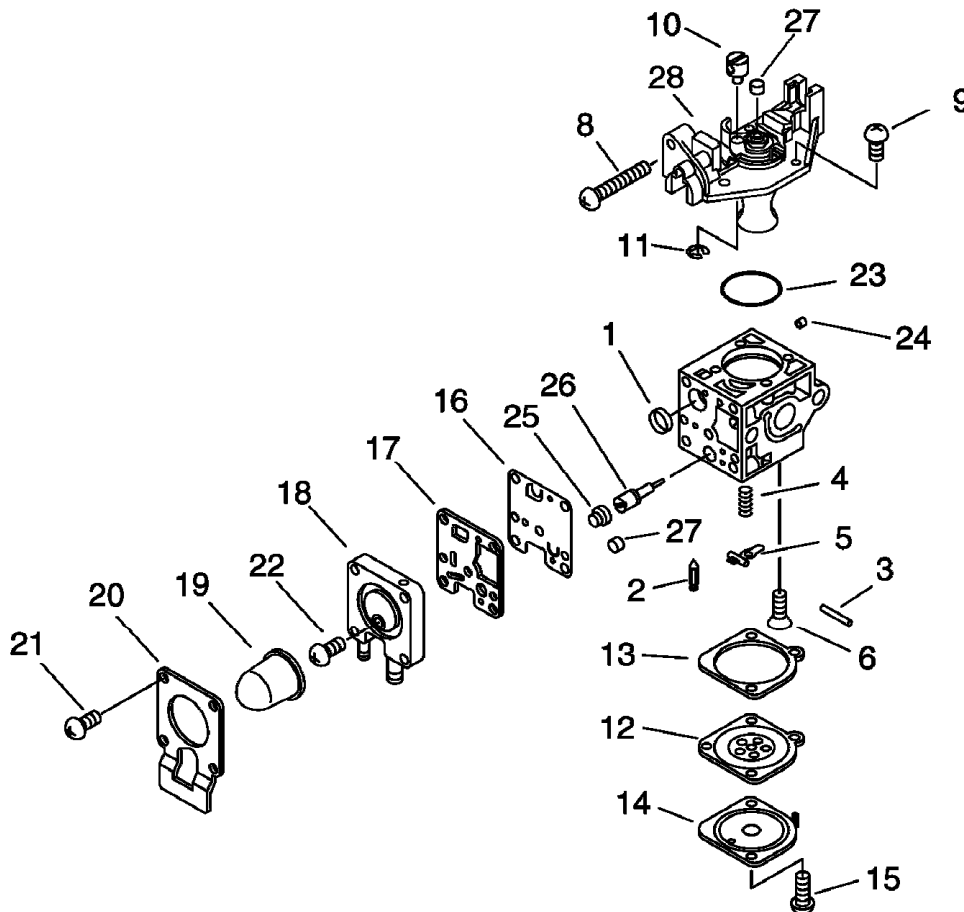


## 6. GEAR CASE, CUTTER



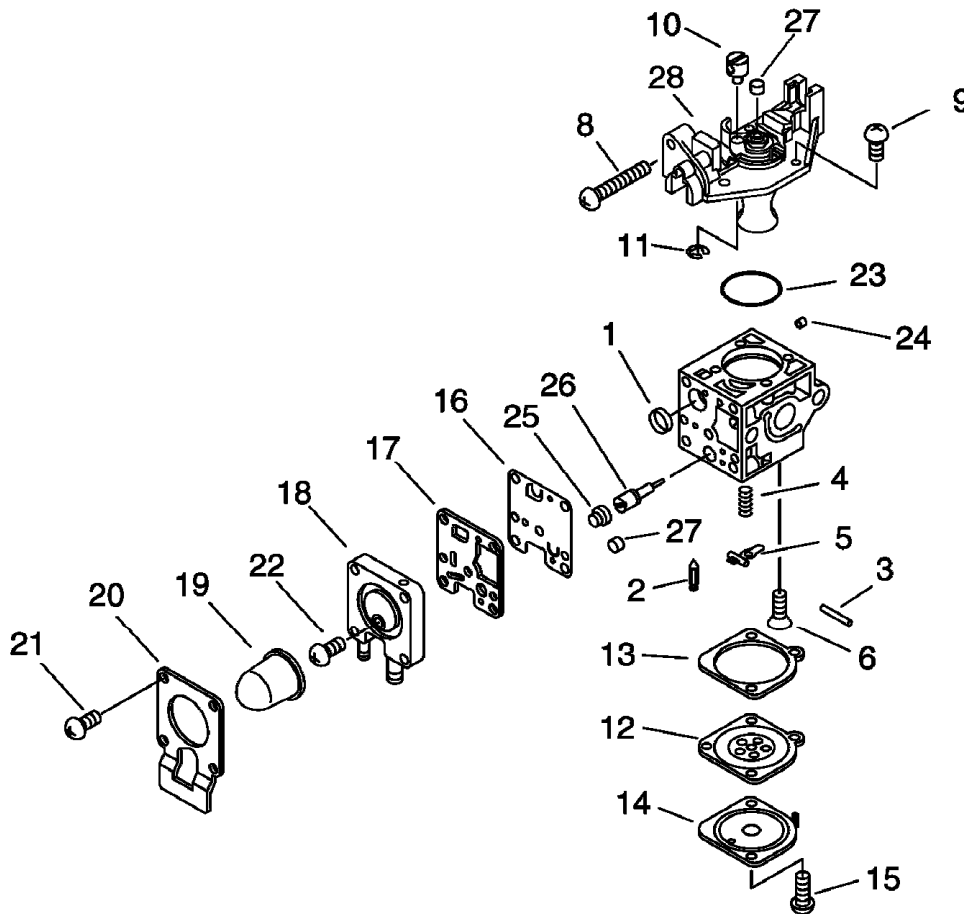
KEY	LV	PART NUMBER	Q'TY	DESCRIPTION	REMARKS	NOTE1	NOTE2
28	+	X495-000181	1	SCABBARD, BLADE			
31	+	P021-015600	1	CASE, GEAR			
32	++	94984-06075	1	NIPPLE, GREASE	B-MT6*0.75(67.5)		
33	+	X431-000110	1	BLUNT	L=522MM T=1.6		
35	+	92108-05000	2	NUT, FLANGE			
29		895112-00330	1	SPANNER 8*10			
30		895410-03930	1	WRENCH, W/S. DRIVER			

## 7. CARBURETOR



KEY	LV	PART NUMBER	Q'TY	DESCRIPTION	REMARKS	NOTE1	NOTE2
		A021-001671	1	CARBURETOR,DIAPHRAGM			
1	+	P005-000010	1	STRAINER			
2	+	125337-08260	1	VALVE, INLET NEEDLE			
3	+	125338-13930	1	PIN, METERING ARM			
4	+	P005-000940	1	SPRING, METER. LEVER			
5	+	125323-08260	1	ARM, VALVE			
6	+	125339-42030	1	SCREW			
28	+	P005-002050	1	COVER ASY, ROTOR			
8	+	P005-000100	1	SCREW,THROTTLEADJUST			
9	+	125344-13931	3	SCREW			
10	+	P005-001240	1	POST			
11	+	P005-002200	1	POST			
12	+	P005-001780	1	DIAPHRAGM			
13	+	P005-000200	1	GASKET, METERING			
14	+	125342-52130	1	COVER, DIAPHRAGM			
15	+	125344-52130	3	SCREW			
16	+	P005-000510	1	DIAPHRAGM, PUMP			
17	+	P005-000520	1	GASKET, PUMP			
18	+	P005-001890	1	BASE, ASY PRIMER			
19	+	125381-08660	1	PUMP, PRIMING			
20	+	P005-000250	1	RETAINER			
21	+	P005-001900	4	SCREW			
22	+	P005-000270	1	SCREW			
23	+	P005-000280	1	O-RING			
24	+	P005-001000	1	ROLLER, GUIDE			
25	+	P005-001250	1	RETAINER,PLUG BALL			

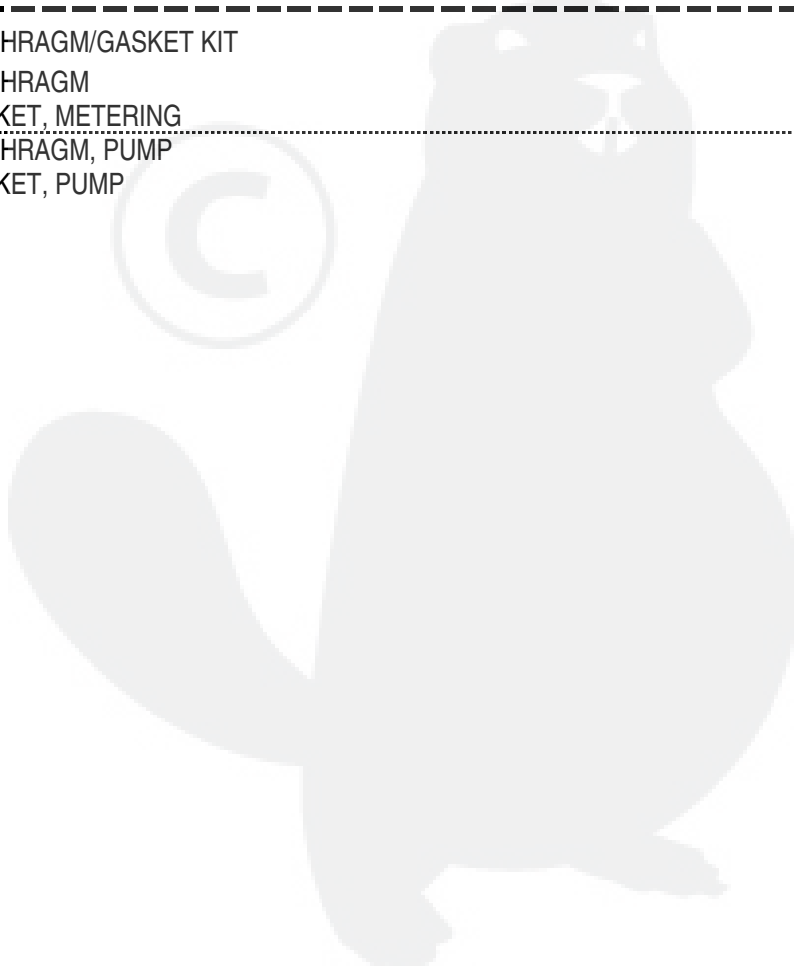
## 7. CARBURETOR



KEY	LV	PART NUMBER	Q'TY	DESCRIPTION	REMARKS	NOTE1	NOTE2
26	+	P005-001260	1	SCREW,MAINN MIXTURE			
27	+	P005-001270	2	PLUG, H AJUST SCREW			

8. REPAIR KIT

KEY	LV	PART NUMBER	Q'TY	DESCRIPTION	REMARKS	NOTE1	NOTE2
		P005-001660	1	DIAPHRAGM/GASKET KIT			
1	+	P005-001780	1	DIAPHRAGM			
2	+	P005-000200	1	GASKET, METERING			
3	+	P005-000510	1	DIAPHRAGM, PUMP			
4	+	P005-000520	1	GASKET, PUMP			



## 9. REBUILD KIT

KEY	LV	PART NUMBER	Q'TY	DESCRIPTION	REMARKS	NOTE1	NOTE2
		P005-001670	1	REBUILD KIT			
1	+	P005-000010	1	STRAINER			
2	+	125337-08260	1	VALVE, INLET NEEDLE			
3	+	125338-13930	1	PIN, METERING ARM			
4	+	P005-000940	1	SPRING, METER. LEVER			
5	+	125323-08260	1	ARM, VALVE			
6	+	P005-001780	1	DIAPHRAGM			
7	+	P005-000200	1	GASKET, METERING			
8	+	P005-000510	1	DIAPHRAGM, PUMP			
9	+	P005-000520	1	GASKET, PUMP			
10	+	P005-001000	1	ROLLER, GUIDE			

**Index**

<b>Patrs Number</b>	<b>Key No.</b>	<b>Patrs Number</b>	<b>Key No.</b>	<b>Patrs Number</b>	<b>Key No.</b>
100013-11520	1 - 12	900162-05022	1 - 16	A320-000430	3 - 10
100014-08960	1 - 9	900162-05025	3 - 15	A323-000010	3 - 11
100015-04630	1 - 11	900162-05028	1 - 3	A350-000590	4 - 18
100113-05930	1 - 10	900163-04016	2 - 36	A356-000031	4 - 17
100204-52133	1 - 1	900242-04010	3 - 6	A365-000060	4 - 5
100212-42031	1 - 2	900242-05065	3 - 23	A409-000210	2 - 22
100215-03930	1 - 6	900256-04016	5 - 3	A411-000130	2 - 25
100242-42030	1 - 5	900330-40080	1 - 6	A425-000000	2 - 27
125323-08260	7 - 5	900502-00006	5 - 25	A426-000010	2 - 28
125323-08260	9 - 5	900512-00008	2 - 21	A427-000013	2 - 29
125337-08260	7 - 2	900515-00006	5 - 26	A507-000030	2 - 8
125337-08260	9 - 2	900600-00005	3 - 2	A552-000080	2 - 34
125338-13930	7 - 3	900600-00008	2 - 20	A556-000470	6 - 2
125338-13930	9 - 3	900603-00005	4 - 2	A566-000000	2 - 32
125339-42030	7 - 6	900603-00005	5 - 17	A570-000140	2 - 35
125342-52130	7 - 14	900701-00014	6 - 6	C400-000480	5 - 20
125344-13931	7 - 9	900702-00035	6 - 3	C423-000280	5 - 5
125344-52130	7 - 15	900810-36202	6 - 5	C427-000020	5 - 15
125381-08660	7 - 19	900812-06202	6 - 4	C450-000250	5 - 13
129011-52730	3 - 22	91107-04010	3 - 8	C460-000090	5 - 14
130110-54430	4 - 13	91107-05022	6 - 16	C532-000170	6 - 17
131016-55830	4 - 6	91107-06020	6 - 8	C539-000020	6 - 26
131205-07320	4 - 7	91113-04020	2 - 24	C600-000860	5 - 4
132010-40830	4 - 14	91118-04016	6 - 27	C628-000030	6 - 9
132012-12361	4 - 8	91118-05016	1 - 21	P005-000010	7 - 1
132013-09820	4 - 11	91118-05020	4 - 1	P005-000010	9 - 1
132013-26630	4 - 9	91121-05016	1 - 18	P005-000100	7 - 8
132115-55930	4 - 12	91121-05016	3 - 12	P005-000200	7 - 13
145806-42030	3 - 3	91147-05020	5 - 10	P005-000200	8 - 2
145866-42031	3 - 4	92108-05000	6 - 35	P005-000200	9 - 7
175017-44331	2 - 33	94035-36201	1 - 4	P005-000250	7 - 20
177214-21860	6 - 15	94984-06075	6 - 32	P005-000270	7 - 22
177220-42030	2 - 5	A011-000223	1 - 7	P005-000280	7 - 23
177227-42030	2 - 10	A021-001671	3 - 28	P005-000510	7 - 16
177228-27030	2 - 12	A021-001671	7 -	P005-000510	8 - 3
177236-61830	2 - 9	A051-001110	2 - 4	P005-000510	9 - 8
177246-11120	2 - 13	A051-001111	2 - 4	P005-000520	7 - 17
433022-06460	6 - 34	A052-000210	2 - 17	P005-000520	8 - 4
437411-19830	4 - 16	A056-000190	2 - 31	P005-000520	9 - 9
605611-13360	5 - 7	A101-000090	1 - 13	P005-000940	7 - 4
610350-12360	2 - 30	A127-000170	1 - 19	P005-000940	9 - 4
699115-07760	6 - 23	A130-000550	1 - 15	P005-001000	7 - 24
699118-04560	6 - 22	A160-000880	1 - 17	P005-001000	9 - 10
890332-52730	3 - 26	A200-000300	3 - 14	P005-001240	7 - 10
895112-00330	6 - 29	A225-000240	3 - 21	P005-001250	7 - 25
895410-03930	6 - 30	A226-001410	3 - 24	P005-001260	7 - 26
900105-05055	3 - 1	A232-000400	3 - 25	P005-001270	7 - 27
900106-05016	5 - 18	A313-000870	3 - 5	P005-001660	8 -
900106-05025	6 - 13	A313-000880	3 - 7	P005-001670	9 -

**Index**

<b>Patrs Number</b>	<b>Key No.</b>	<b>Patrs Number</b>	<b>Key No.</b>	<b>Patrs Number</b>	<b>Key No.</b>
P005-001780	7 - 12	X411-000570	6 - 19		
P005-001780	8 - 1	X425-000350	6 - 12		
P005-001780	9 - 6	X425-000840	6 - 11		
P005-001890	7 - 18	X431-000110	6 - 33		
P005-001900	7 - 21	X495-000181	6 - 28		
P005-002050	7 - 28	X502-000330	2 - 1		
P005-002200	7 - 11	X502-000890	2 - 1		
P021-007772	1 - 8	X503-007710	2 - 16		
P021-012210	4 - 4	X505-002030	5 - 22		
P021-013051	5 - 2	X532-000740	5 - 23		
P021-015250	5 - 24				
P021-015600	6 - 31				
P021-041740	6 - 1				
P022-006830	2 - 6				
P022-007980	2 - 19				
P022-008260	2 - 11				
P022-020030	2 - 18				
P022-034080	2 - 6				
P022-034090	2 - 8				
V100-000160	1 - 14				
V103-000180	3 - 13				
V103-000410	3 - 16				
V104-000850	3 - 9				
V110-000060	6 - 25				
V150-001800	6 - 24				
V150-001810	6 - 20				
V186-000020	4 - 10				
V186-000510	4 - 10				
V202-000030	2 - 3				
V202-000090	2 - 2				
V299-000250	3 - 27				
V353-000231	4 - 3				
V353-000250	6 - 14				
V450-000610	5 - 9				
V450-000620	5 - 11				
V450-000630	5 - 6				
V452-000150	2 - 7				
V452-000150	2 - 7				
V452-000300	5 - 12				
V452-000310	5 - 16				
V456-000040	5 - 8				
V471-001880	4 - 15				
V475-001610	2 - 23				
V485-000870	2 - 26				
V490-001100	3 - 29				
V490-001230	4 - 9				
V490-001240	4 - 11				
V541-000140	6 - 21				
V650-000300	6 - 18				

# YAMABIKO CORPORATION

7-2 SUEHIROCHO 1-CHOME, OHME, TOKYO 198-8760, JAPAN  
PHONE: 81-428-32-6118. FAX: 81-428-32-6145.

**ECHO**<sup>®</sup>



11Fc  
No. 63-146