

HCA-2620ES-HD

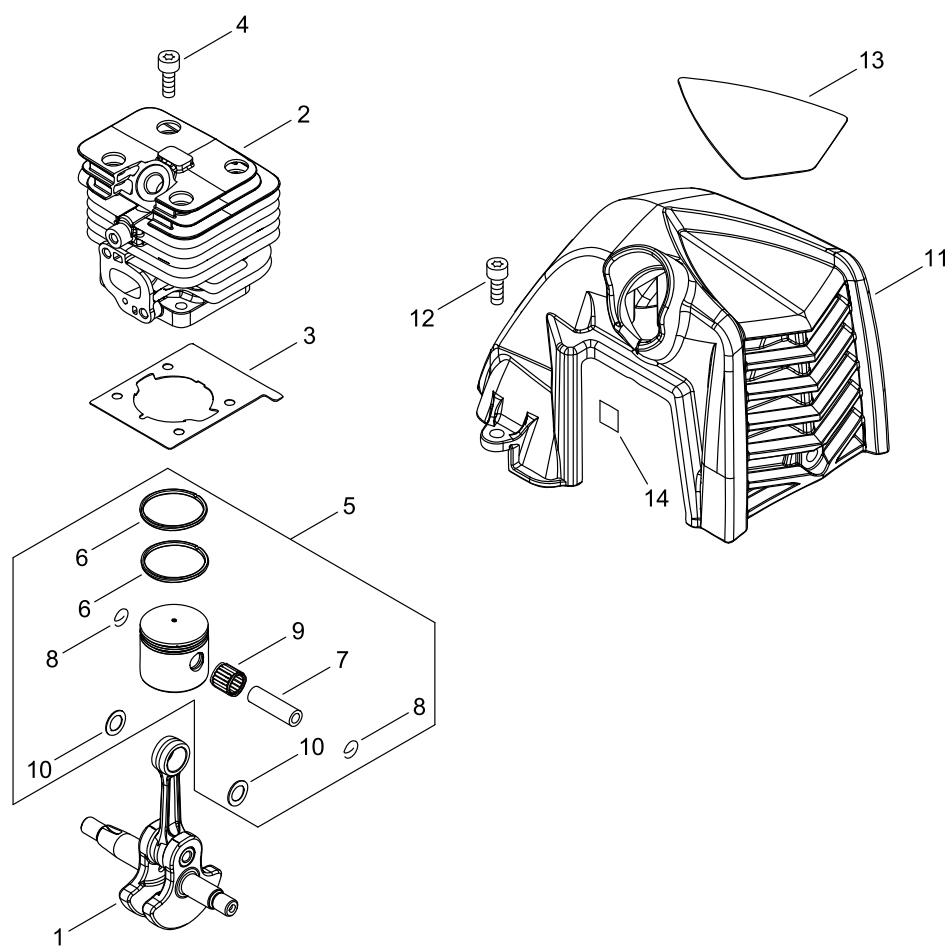
Serial number: 38000001-38999999

Last update date: 06/24/2020

TABLE OF CONTENTS

CYLINDER, PISTON, CRANKSHAFT.....	1
CRANKCASE	3
MAGNETO.....	5
CLUTCH.....	7
AIR CLEANER, CARBURETOR.....	9
CARBURETOR.....	11
FUEL TANK.....	13
MUFFLER	15
RECOIL STARTER, PULLY	17
GEAR CASE.....	19
CUTTING BLADE.....	23
MAIN PIPE	25
THROTTLE	27
ACCESSORIES.....	29

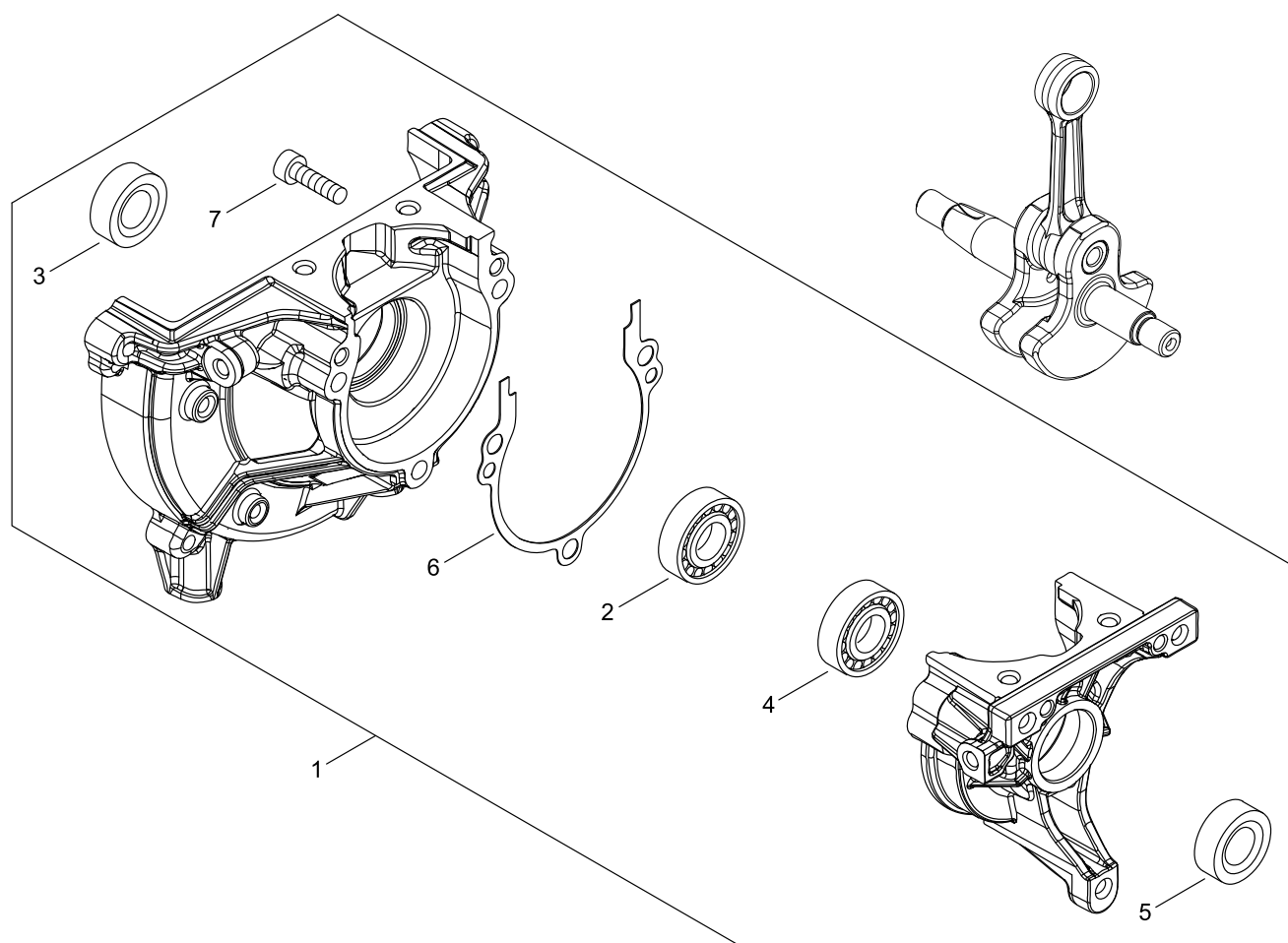
CYLINDER, PISTON, CRANKSHAFT



CYLINDER, PISTON, CRANKSHAFT

Key No.	LV (+)	Part No	Description	Qty	Standard
1		A011-001460	CRANKSHAFT,ASY	1	
2		A130-002330	CYLINDER	1	
3		V100-000840	GASKET,CYL	1	
4		V805-000210	BOLT, TORX 5	4	TB-5*20 12.9
5		P021-050840	PISTON KIT	1	
6	+	A101-000010	RING,PISTON	2	
7	+	100013-35430	PIN, PISTON	1	6*9*27.8
8	+	100015-03931	CIRCLIP, PISTON PIN	2	
9	+	V554-000020	BEARING,NEEDLE 9	1	KTV-91212EG14-B2
10	+	100014-53630	SPACER, PISTON PIN	2	
11		A160-003280	COVER,CYLINDER	1	
12		V835-000010	BOLT, TORX 5	2	TB-5*12 10.9
13		X503-014720	LABEL,MODEL	1	HCA-2620ES
14		X524-001901	LABEL	1	

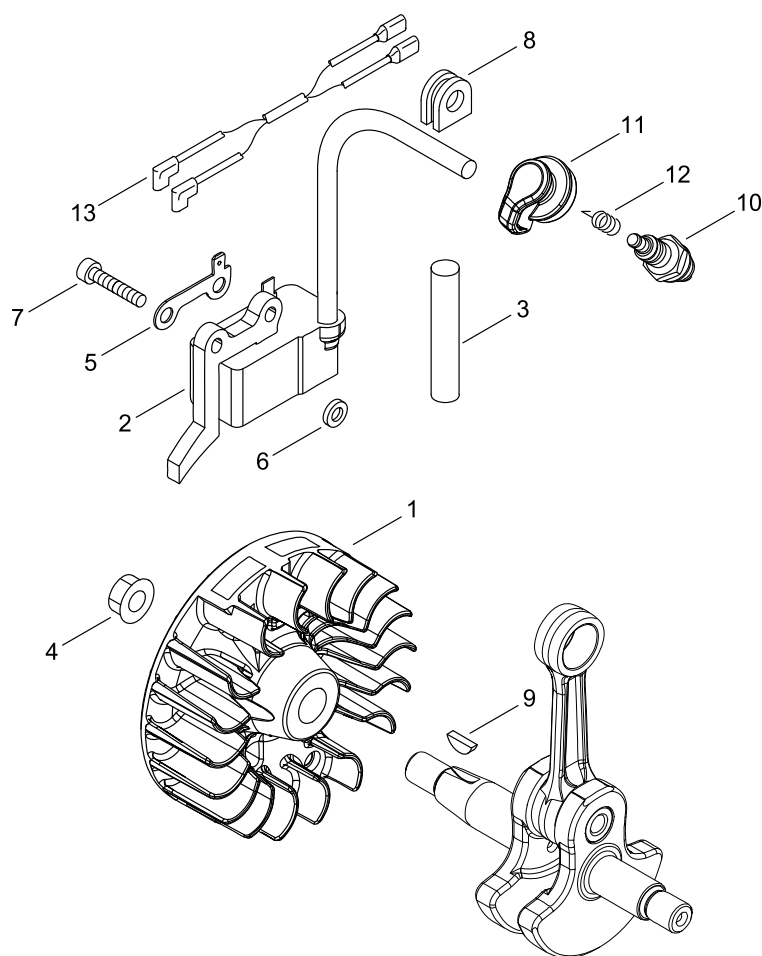
CRANKCASE



CRANKCASE

Key No.	LV (+)	Part No	Description	Qty	Standard
1		P021-050850	CRANKCASE KIT	1	
2	+	900800-36001	BEARING, BALL	1	6001/C3
3	+	100212-42031	OILSEAL	1	ISCD 12*22*4.5
4	+	900810-36000	BEARING, BALL	1	6000
5	+	V503-000040	SEAL,OIL 10	1	ISCD 10*20*5F
6	+	V102-000300	GASKET,CRANKCASE	1	
7	+	V805-000220	BOLT, TORX 5	3	TB-5*25 12.9

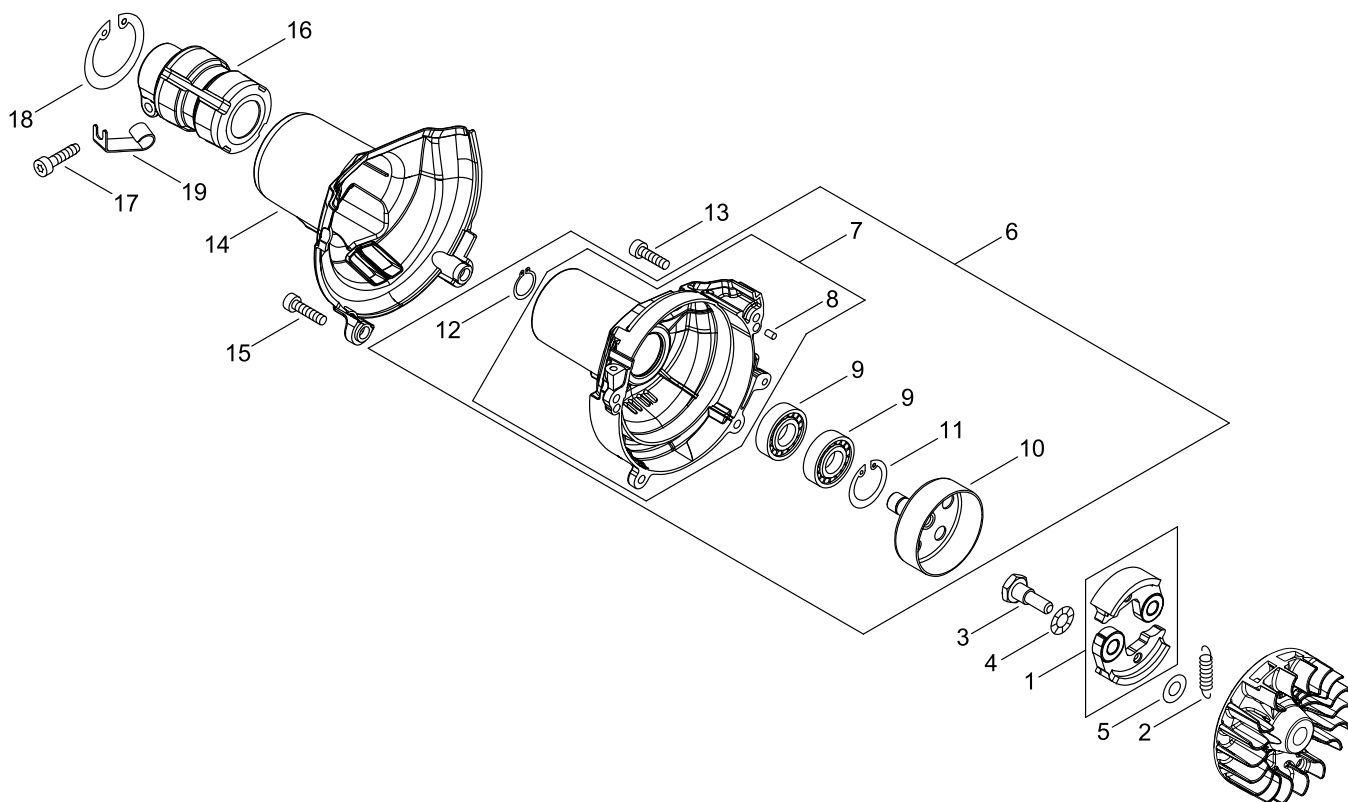
MAGNETO



MAGNETO

Key No.	LV (+)	Part No	Description	Qty	Standard
1		A409-001320	ROTOR, MAGNETO	1	
2		A411-001790	COIL, IGNITION	1	ID#A10073A
3		V475-007540	TUBE	1	
4		900515-00008	NUT, FLANGE 8	1	8
5		C152-001030	CONNECTOR	1	
6		V323-000070	WASHER,CIRCULAR 5	2	5.2*10*3
7		V805-000210	BOLT, TORX 5	2	TB-5*20 12.9
8		156110-04920	BUSHING	1	
9		100142-12330	KEY, WOODRUFF	1	
10		A425-000060	SPARKPLUG	1	CMR7H
11		A427-000221	CAP,SPARK PLUG	1	
12		A426-000010	TERMINAL,SPARKPLUG	1	
13		V485-002880	LEAD	1	

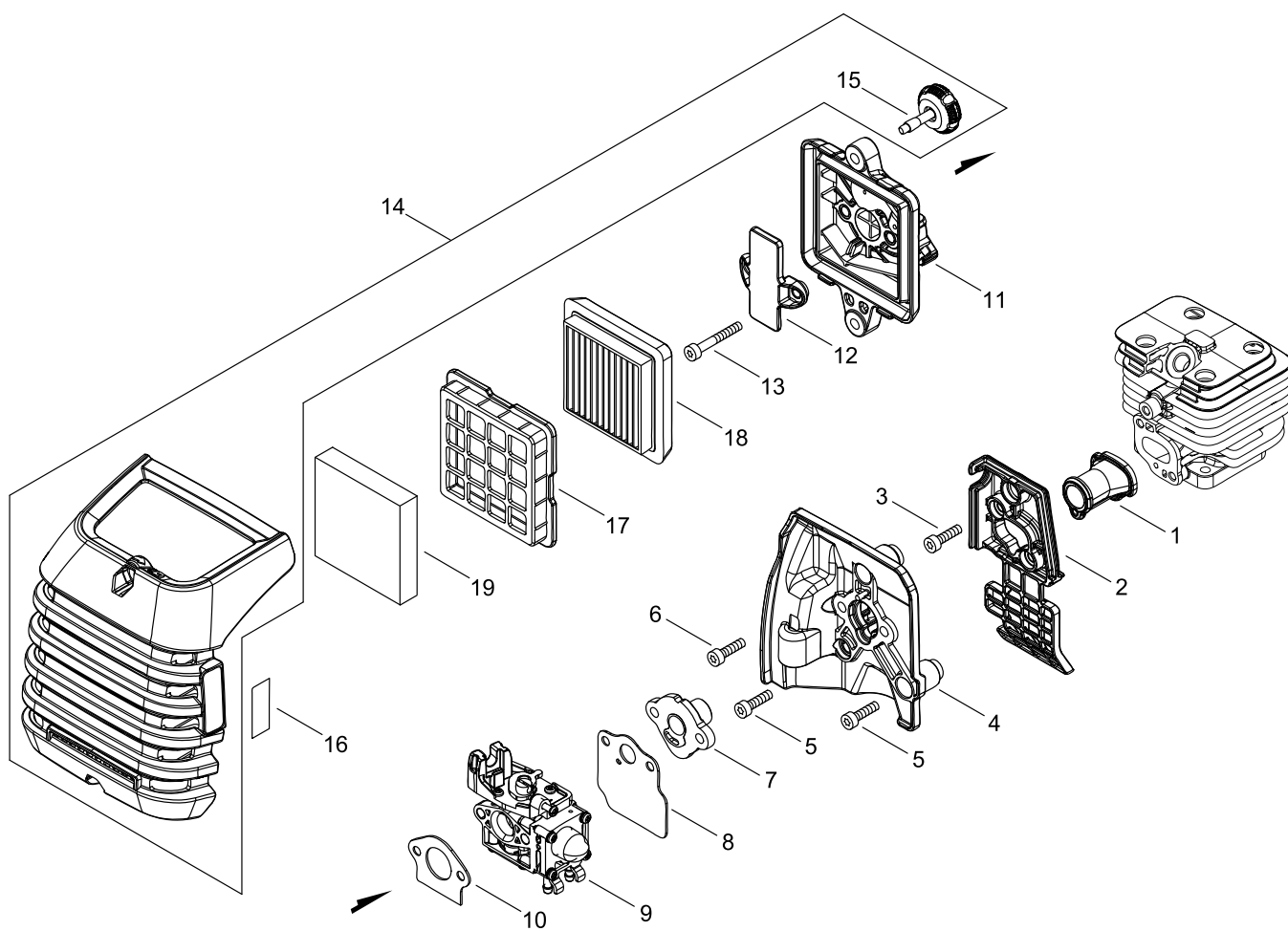
CLUTCH



CLUTCH

Key No.	LV (+)	Part No	Description	Qty	Standard
1		P100-002270	ARM,CLUTCH SET	1	
2		V451-001390	SPRING,TENSION	1	172N/34MM
3		175046-56030	SHAFT, CLUTCH	2	
4		175049-56030	WASHER	2	8.5*16*0.5
5		175048-05530	WASHER (I)	2	6.2*19*1.0
6		P100-005340	FAN COVER ASY	1	
7	+	A172-003142	COVER,FAN	1	
8	++	900330-40080	PIN F 4*8	2	4*8
9	+	900807-06001	BEARING, BALL 6001	2	6001V(LB)
10	+	A556-001760	DRUM,CLUTCH	1	
11	+	900702-00028	CIRCLIP 28	1	CR-28
12	+	900701-00012	CIRCLIP 12	1	CS-12
13		V805-000150	BOLT, TORX 5	2	TB-5*16 10.9
14		A413-000080	BOOT	1	
15		V805-000160	BOLT, TORX 5	2	TB-5*20 10.9
16		A575-000110	FIXTURE,MAIN PIPE	1	
17		V805-000170	BOLT, TORX 5	1	TB-5*25 10.9
18		900702-00042	CIRCLIP 42	1	CR-42
19		V490-001520	CLIP	1	

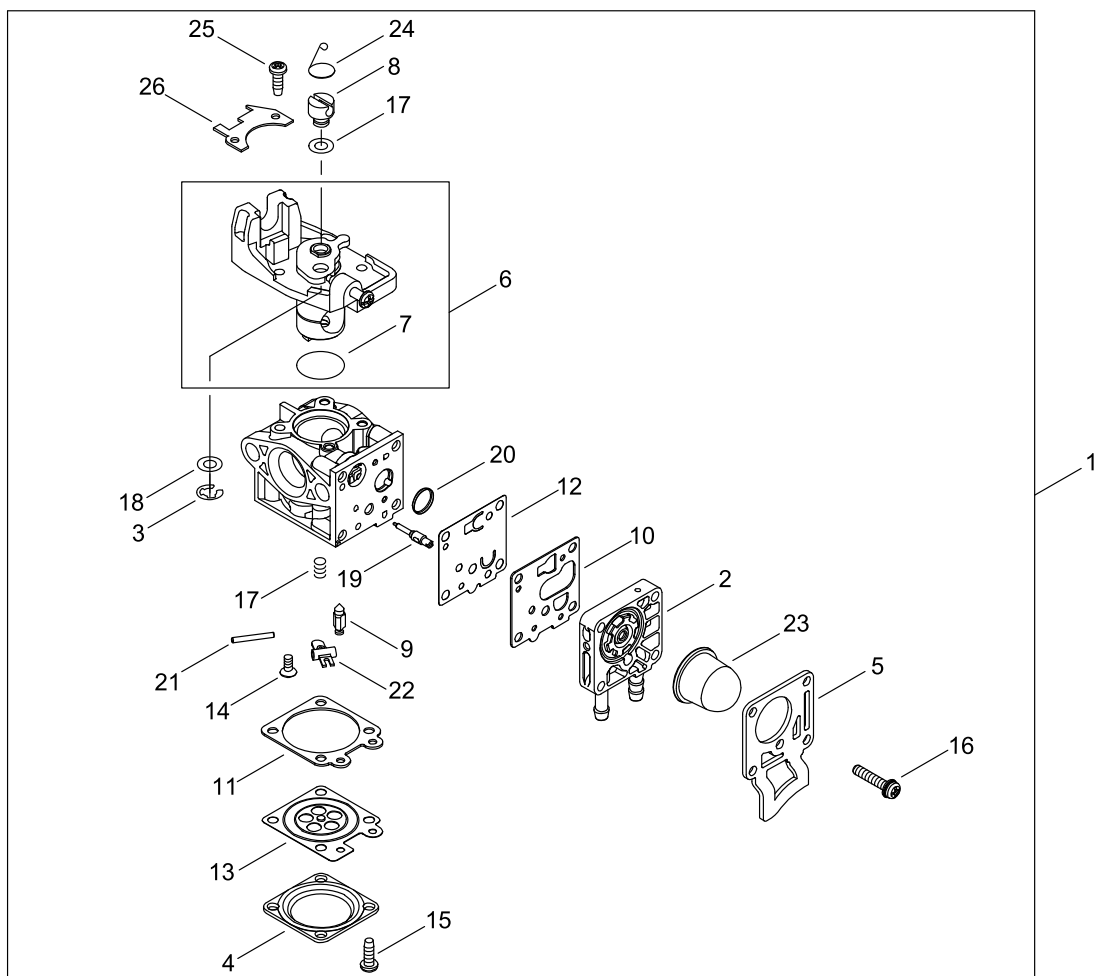
AIR CLEANER, CARBURETOR



AIR CLEANER, CARBURETOR

Key No.	LV (+)	Part No	Description	Qty	Standard
1		A202-000300	BELLOWS, INTAKE	1	
2		A206-000040	HOLDER, BELLOWS	1	
3		V253-001020	SCREW,5	2	TB2411 10MM
4		A209-001010	PLATE, INSULATOR	1	
5		V805-000150	BOLT, TORX 5	2	TB-5*16 10.9
6		V855-000000	BOLT, TORX 5	1	TB-5*20
7		A209-001000	PLATE, INSULATOR	1	
8		V103-001890	GASKET,INTAKE	1	
9		A021-004600	CARBURETOR, DIAPHRAGM	1	WYG-9
10		V103-001900	GASKET,INTAKE	1	
11		P021-050880	CLEANER CASE ASY	1	
12		A244-000370	PLATE,PREVENT	1	
13		V805-000340	BOLT, TORX 5	2	TB-5*60 10.9
14		P100-003600	LID,CLEANER ASY	1	
15	+	V299-000640	KNOB,FASTENER	2	
16		890332-52730	LABEL, CHOKE	1	
17		A227-000050	PLATE, ELEMENT	1	
18		A226-002030	ELEMENT, AIR FILTER	1	
19		A226-002040	ELEMENT, AIR FILTER	1	HP-70

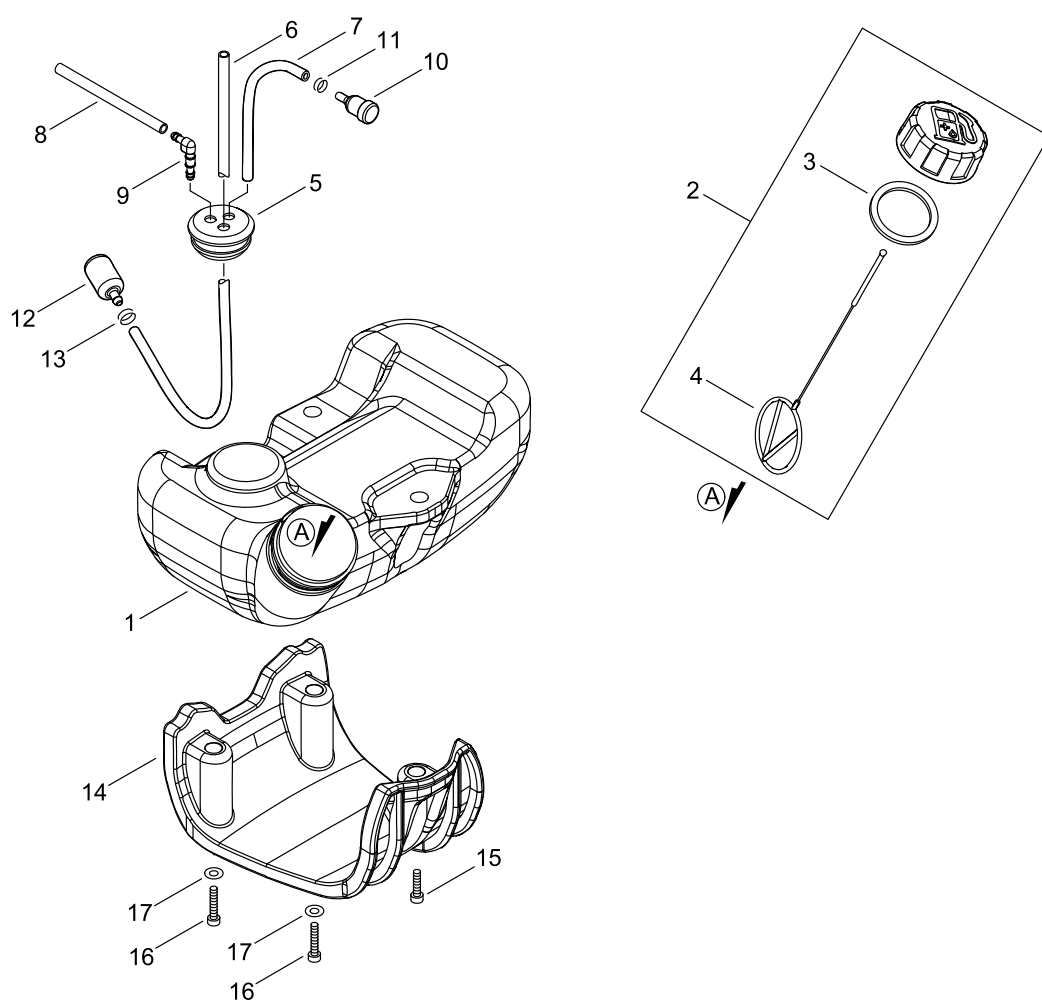
CARBURETOR



CARBURETOR

Key No.	LV (+)	Part No	Description	Qty	Standard
1		A021-004601	CARBURETOR, DIAPHRAGM	1	WYG-9" ..
2	+	P003-006120	BODY ASSEMBLY, PUMP	1	
3	+	123173-07930	CLIP	1	
4	+	123142-03930	COVER, M. DIAPHRAGM	1	
5	+	P003-006500	COVER, FUEL PUMP	1	
6	+	P003-006140	VALVE, THROTTLE	1	
7	++	P003-004480	O-RING	1	
8	+	P003-005850	SWIVEL	1	
9	+	123137-19830	VALVE, INLET NEEDLE	1	
10	+	P003-004530	GASKET, FUEL PUMP	1	
11	+	123140-27230	GASKET, M. DIAPHRAGM	1	
12	+	P003-004540	DIAPHRAGM, FUEL PUMP	1	
13	+	P003-001670	DIAPHRAGM, METERING	1	
14	+	P003-005860	SCREW	1	
15	+	P003-004560	SCREW	4	
16	+	P003-004570	SCREW	4	
17	+	P003-005870	SPRING	1	
18	+	P003-001710	WASHER	2	
19	+	P003-005880	NEEDLE	1	
20	+	123126-10631	SCREEN, INLET	1	
21	+	123138-03930	PIN, METERING LEVER	1	
22	+	P003-001630	LEVER, METERING	1	
23	+	123181-09560	PUMP, PRIMER	1	
24	+	P003-005890	CLIP	1	
25	+	123114-40630	SCREW	3	
26	+	P003-005900	PLATE	1	

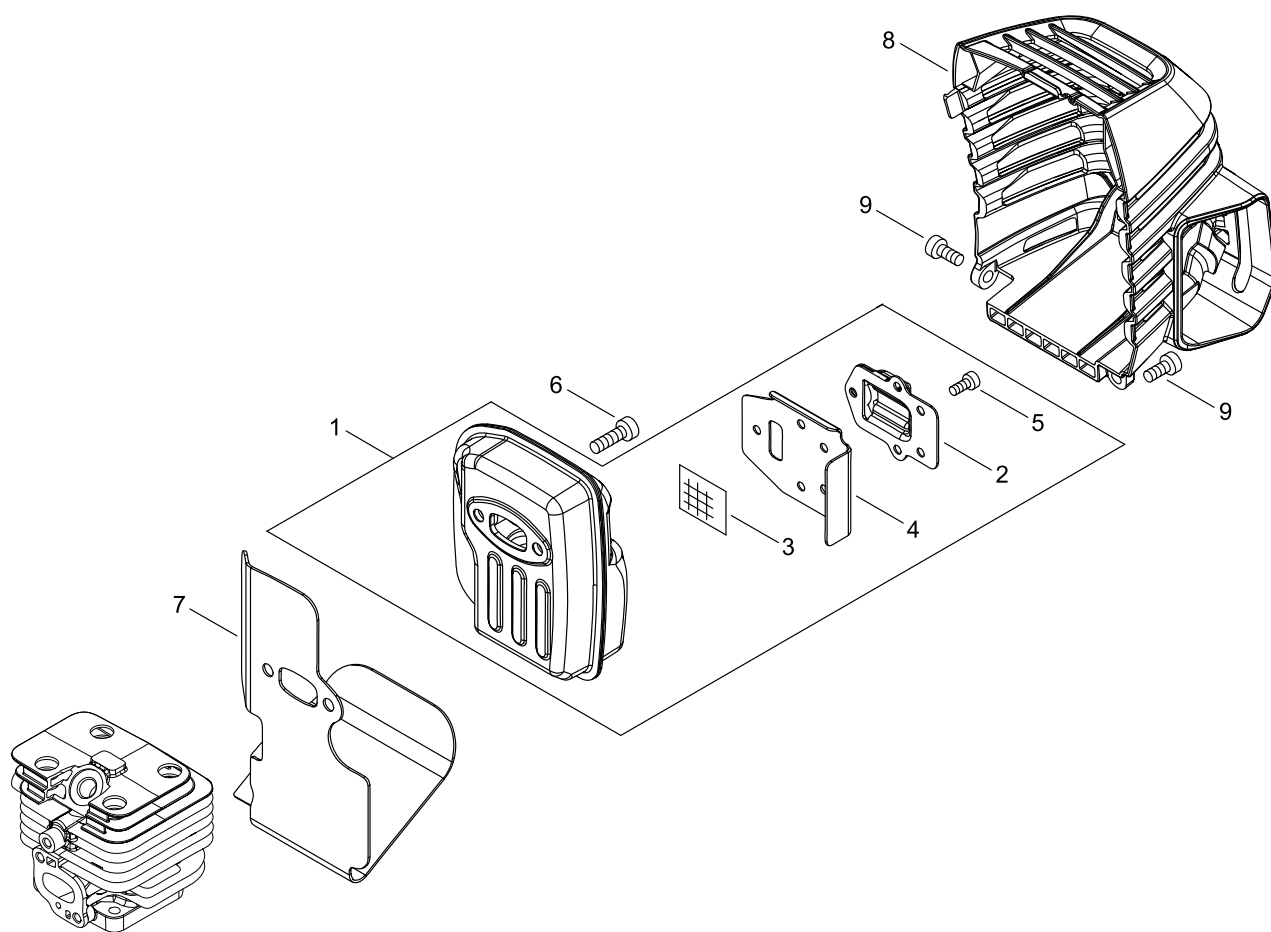
FUEL TANK



FUEL TANK

Key No.	LV (+)	Part No	Description	Qty	Standard
1		A350-002350	TANK, FUEL	1	
2		P021-012211	CAP,FUEL ASY	1	
3	+	V107-000190	GASKET,FUEL CAP	1	37.9*T2.2
4	+	A365-000060	CONNECTOR,CAP	1	L=123
5		132115-55931	GROMMET, FUEL	1	3 Φ5
6		V471-001231	PIPE	1	3*5*210
7		132010-06531	PIPE 3* 6* 85	1	3*6*85
8		132012-56030	PIPE	1	3*6*80 YL
9		V186-000500	JOINT,PIPE	1	
10		A356-000031	VALVE,CHECK	1	
11		V490-001230	CLIP	1	
12		A369-000470	STRAINER, FUEL	1	
13		V490-001240	CLIP	1	
14		A175-000040	STAND	1	
15		V805-000160	BOLT, TORX 5	1	TB-5*20 10.9
16		V805-000170	BOLT, TORX 5	2	TB-5*25 10.9
17		900602-00005	WASHER 5	2	5.3*10*1

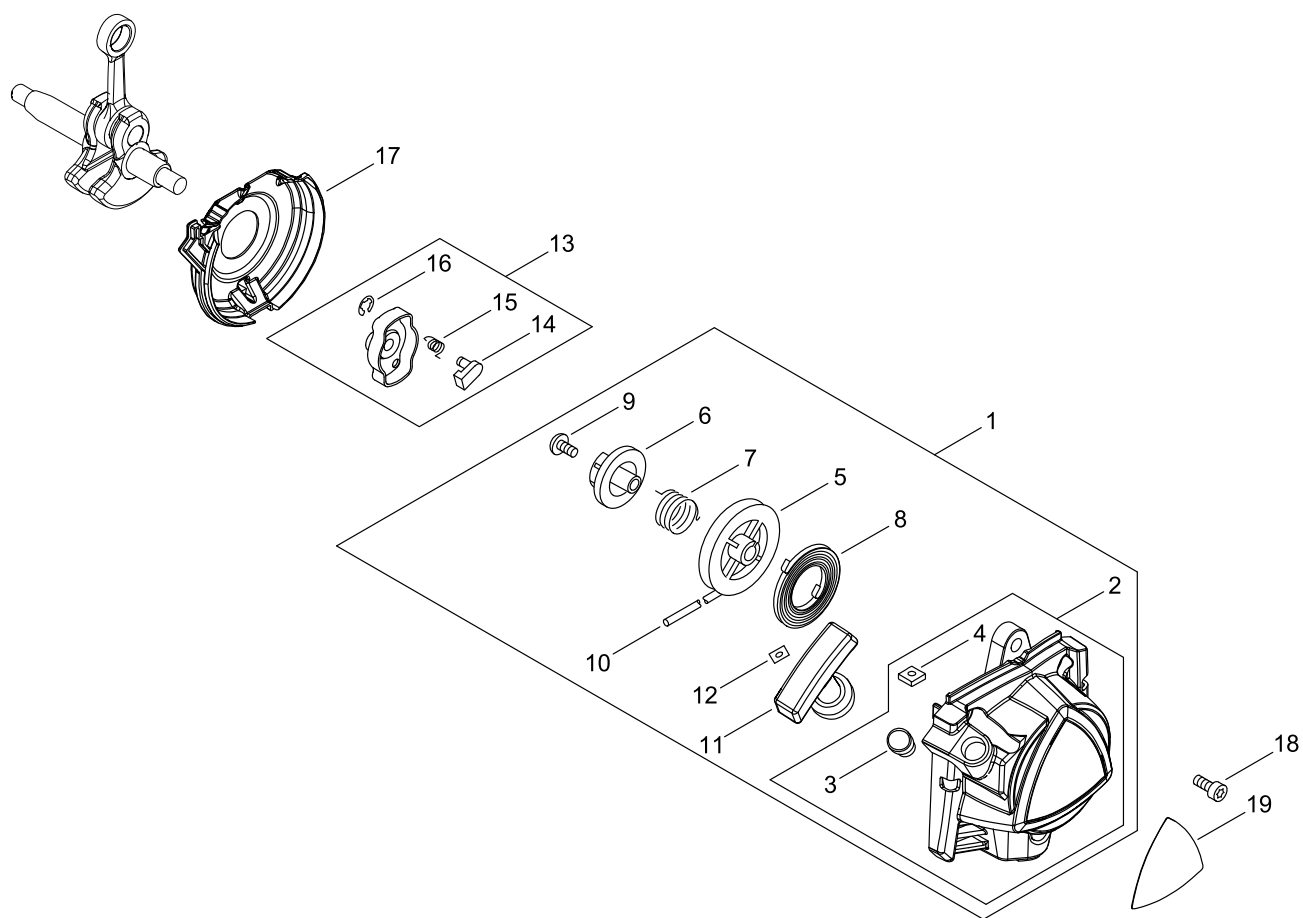
MUFFLER



MUFFLER

Key No.	LV (+)	Part No	Description	Qty	Standard
1		P100-004020	MUFFLER ASY	1	
2	+	A313-002060	GUIDE, EXHAUST	1	
3	+	145862-40630	SCREEN, MUFFLER	1	
4	+	V104-002300	GASKET,EXHAUST	1	
5	+	V804-000030	BOLT, TORX 4	5	TB-4*8 10.9
6		V805-000250	BOLT, TORX 5	2	TB-5*16 12.9
7		V104-002310	GASKET,EXHAUST	1	
8		A320-001200	COVER,MUFFLER	1	
9		V835-000010	BOLT, TORX 5	2	TB-5*12 10.9

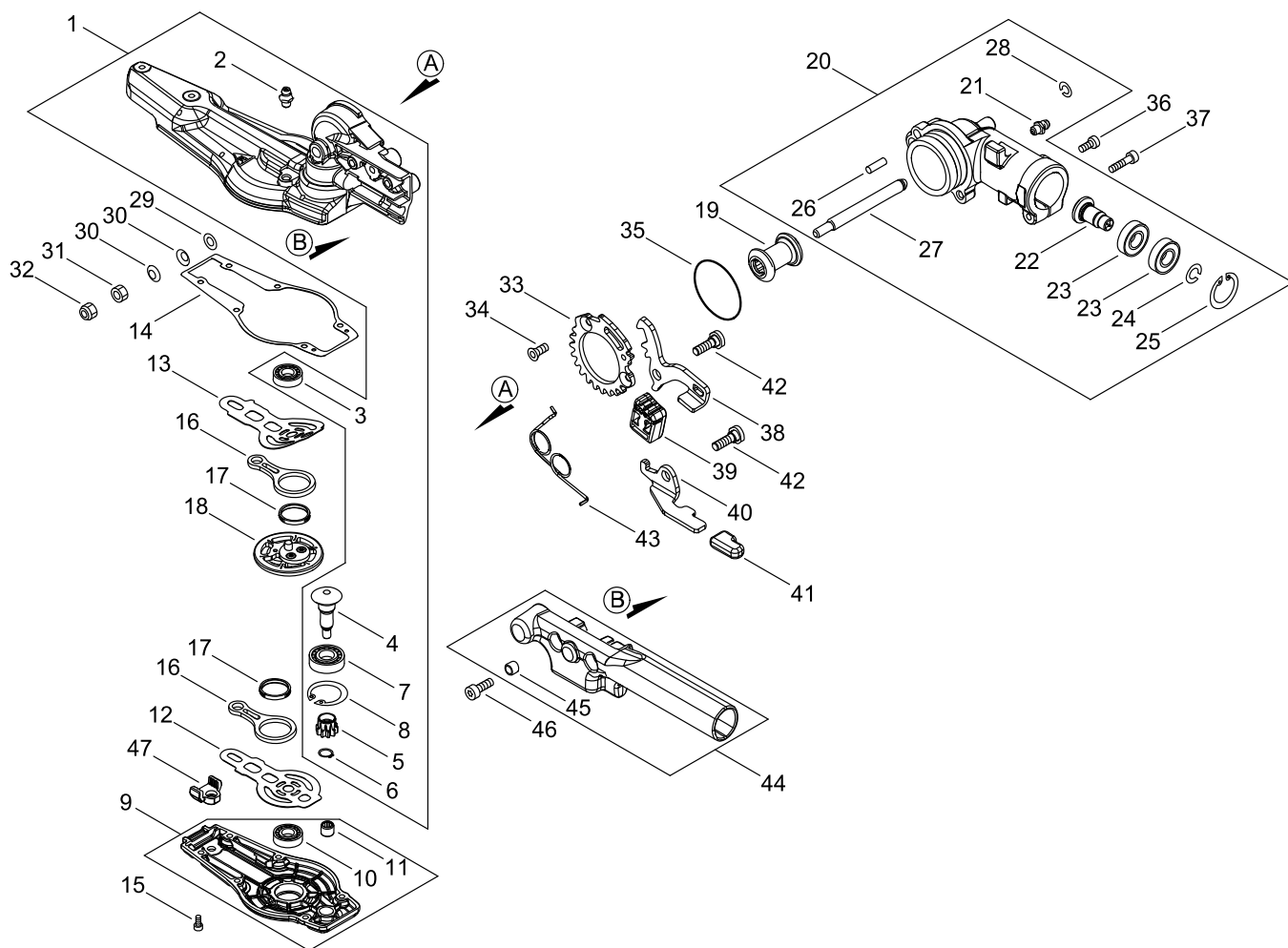
RECOIL STARTER, PULLY



RECOIL STARTER, PULLY

Key No.	LV (+)	Part No	Description	Qty	Standard
1		A051-003220	STARTER,RECOIL ASY	1	
2	+	P022-043670	STATER CASE	1	
3	++	P022-045770	GUIDE, ROPE	1	
4	++	P022-022010	NUT	2	
5	+	P022-033320	DRUM, STARTER	1	
6	+	P022-033310	PLATE, CAM	1	
7	+	P022-008270	SPRING,DAMPER	1	
8	+	177220-40630	SPRING, REWIND	1	
9	+	177236-61830	SCREW	1	
10	+	P022-022110	ROPE, STARTER	1	
11	+	177228-27030	GRIP, STARTER	1	
12	+	P022-037670	STOPPER, ROPE	1	
13		A052-000180	PULLEY,ASM STARTER	1	
14	+	P022-006850	PAWL, STARTER	2	
15	+	P022-006510	SPRING, RETURN	2	
16	+	P022-002100	E-RING	2	4
17		A127-000470	COVER,DUST	1	
18		V805-000140	BOLT, TORX 5	3	TB-5*12 10.9
19		X547-003370	LABEL,ECHO	1	ECHO+ HCA-2620ES

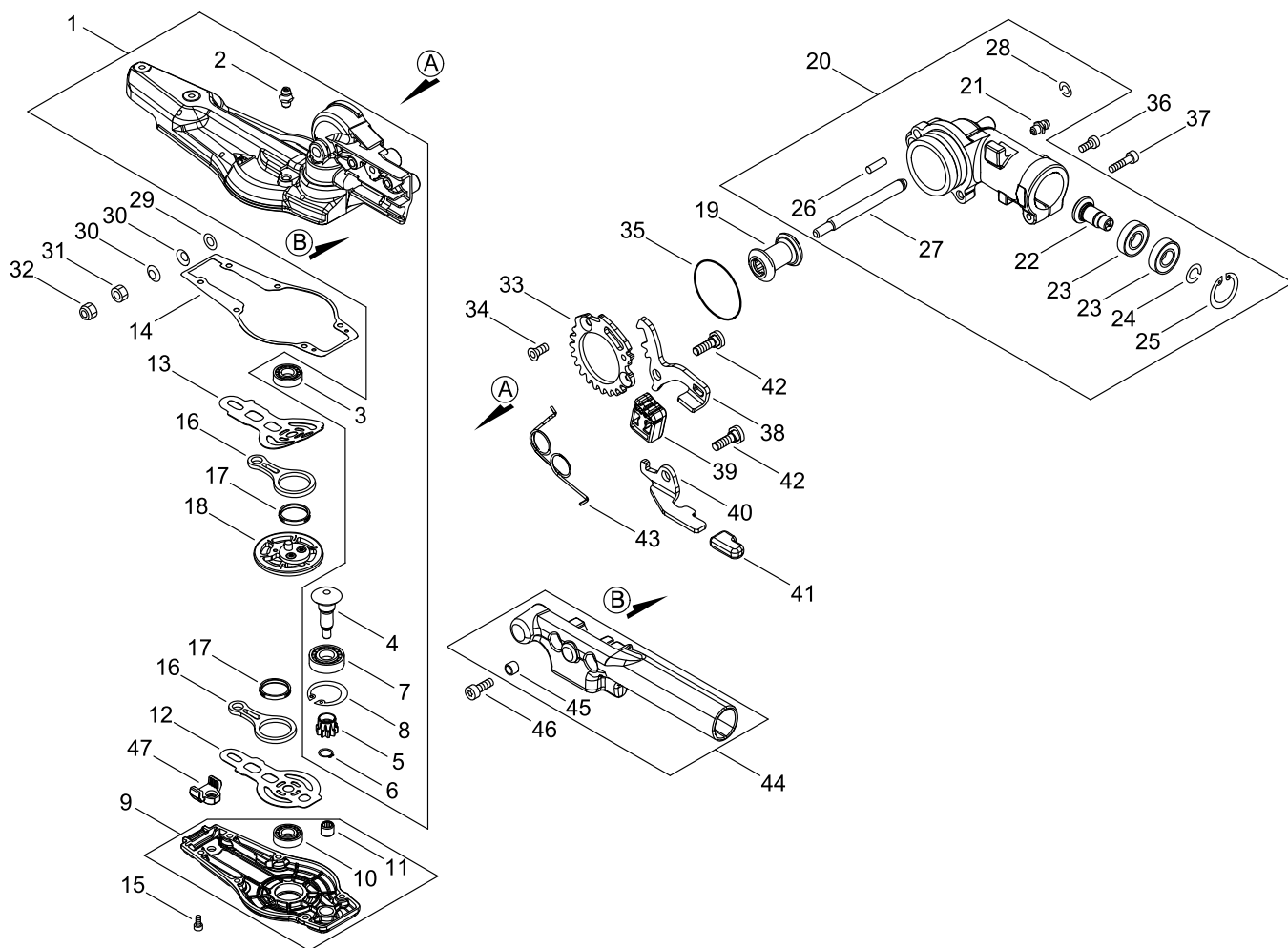
GEAR CASE



GEAR CASE

Key No.	LV (+)	Part No	Description	Qty	Standard
1		P100-003620	CASE,GEAR ASY	1	
2	+	V187-000080	GREASE NIPPLE	1	
3	+	900800-00608	BEARING, BALL 608	1	608
4	+	V655-000110	SHAFT,PINION	1	
5	+	V650-000730	GEAR,SPUR	1	
6	+	900701-00008	RING, RETAINING(EX)	1	CS-8
7	+	900800-06001	BEARING, BALL 6001	1	6001
8	+	900702-00028	CIRCLIP 28	1	CR-28
9		P100-003631	LID ASY, GEARCASE	1	
10	+	900800-00608	BEARING, BALL 608	1	608
11	+	V551-000000	BEARING,NEEDLE 6	1	HK0609FM
12		V150-004310	PLATE,EYE	1	T0.5
13		V150-004320	PLATE,EYE	1	T0.5
14		V110-000200	GASKET,GEAR CASE	1	T0.3
15		V804-000050	BOLT, TORX 4	6	TB-4*12 10.9
16		C532-000530	ROD, CONNECTING	2	
17		V572-000000	BEARING, NEEDLE	2	
18		V060-000130	GEAR,SPUR	1	
19		P100-003640	GEAR,BEVEL	1	
20		P100-005380	CASE,GEAR ASY	1	
21	+	V187-000080	GREASE NIPPLE	1	
22	+	V651-001100	GEAR,BEVEL	1	
23	+	900857-06901	BEARING, BALL 6901	2	6901LLU
24	+	900706-00012	CIRCLIP 12	1	WR-12
25	+	900702-00024	CIRCLIP 24	1	CR-24
26	+	V623-000120	PIN,STRAIGHT 5	1	L15.5
27	+	C534-001100	SHAFT, GEAR	1	
28	+	92411-08000	RING	1	WR-8
29		900603-00006	WASHER 6	1	6.5*13*1
30		V347-000030	CONE WASHER	2	
31		900502-00006	NUT 6 (3N)	1	3N6
32		900560-00006	NUT, LOCK	1	6
33		C465-000040	RESETTER, LATCH	1	
34		900175-05012	BOLT, H.S.H	2	5*12
35		900724-00035	O-RING 35	1	S-35
36		V805-000130	BOLT, TORX 5	1	TB-5*10 10.9
37		V805-000170	BOLT, TORX 5	1	TB-5*25 10.9
38		C661-000210	LEVER, RELEASE	1	
39		V494-001070	CAP	1	
40		C661-000220	LEVER, RELEASE	1	
41		V494-000891	CAP	1	
42		V204-000580	PIN RATCHET	2	
43		V452-001740	SPRING,TORSION	1	
44		C403-000880	GRIP, HANDLE	1	
45		131045-28230	COLLAR	2	
46		V805-000150	BOLT, TORX 5	2	TB-5*16 10.9

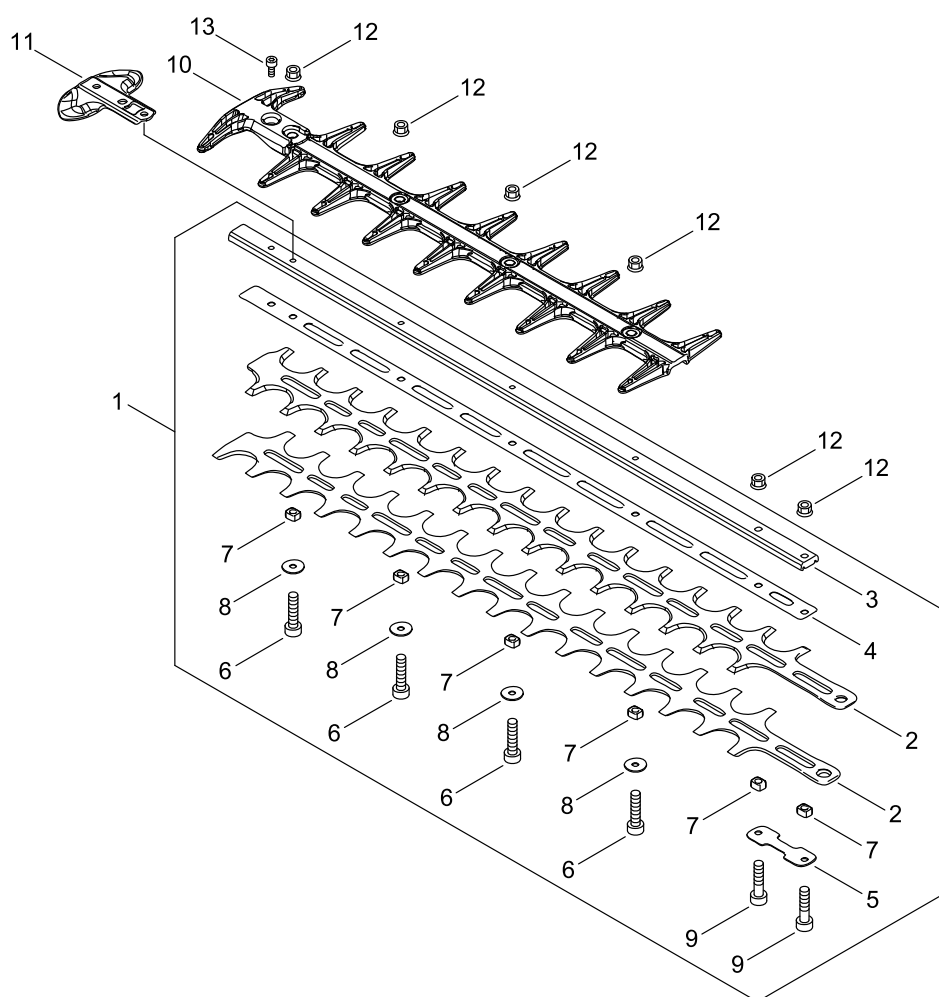
GEAR CASE



GEAR CASE

Key No.	LV (+)	Part No	Description	Qty	Standard
47		V541-000620	SEAL	1	

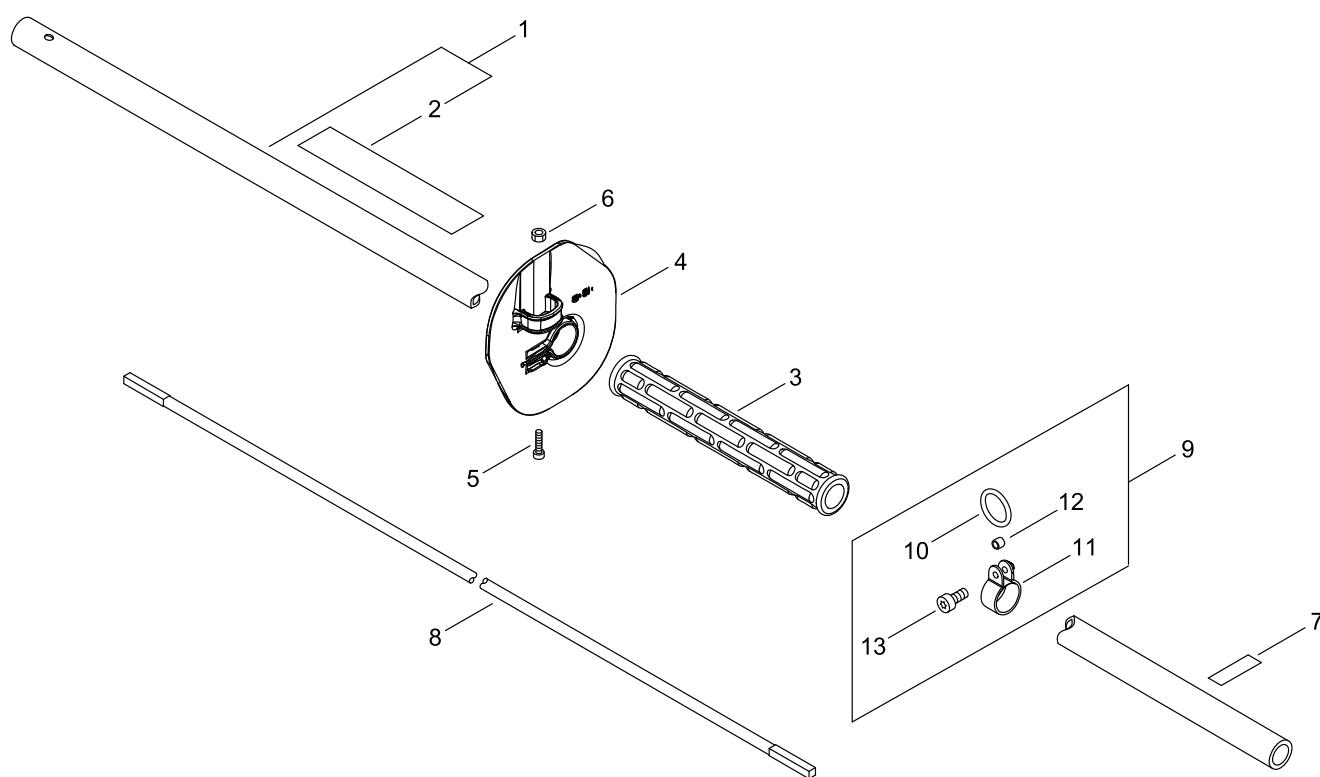
CUTTING BLADE



CUTTING BLADE

Key No.	LV (+)	Part No	Description	Qty	Standard
1		X041-000630	CUTTER,ASM	1	
2	+	X411-001360	CUTTER	2	
3	+	X425-001030	SUPPORT,CUTTER	1	
4	+	X425-001040	SUPPORT,CUTTER	1	
5	+	V150-004330	PLATE,EYE	1	
6	+	V805-000170	BOLT, TORX 5	4	TB-5*25 10.9
7	+	V353-000250	COLLAR	6	9*7.45*5.3
8	+	V303-000290	WASHER	4	
9	+	V805-000180	BOLT, TORX 5	2	TB-5*30 12.9
10		X431-000250	BLUNT	1	
11		E278-000311	PROTECTOR	1	NEW-SHC
12		92108-05000	NUT, FLANGE	6	
13		V805-000120	BOLT, TORX 5	1	TB-5*8 10.9

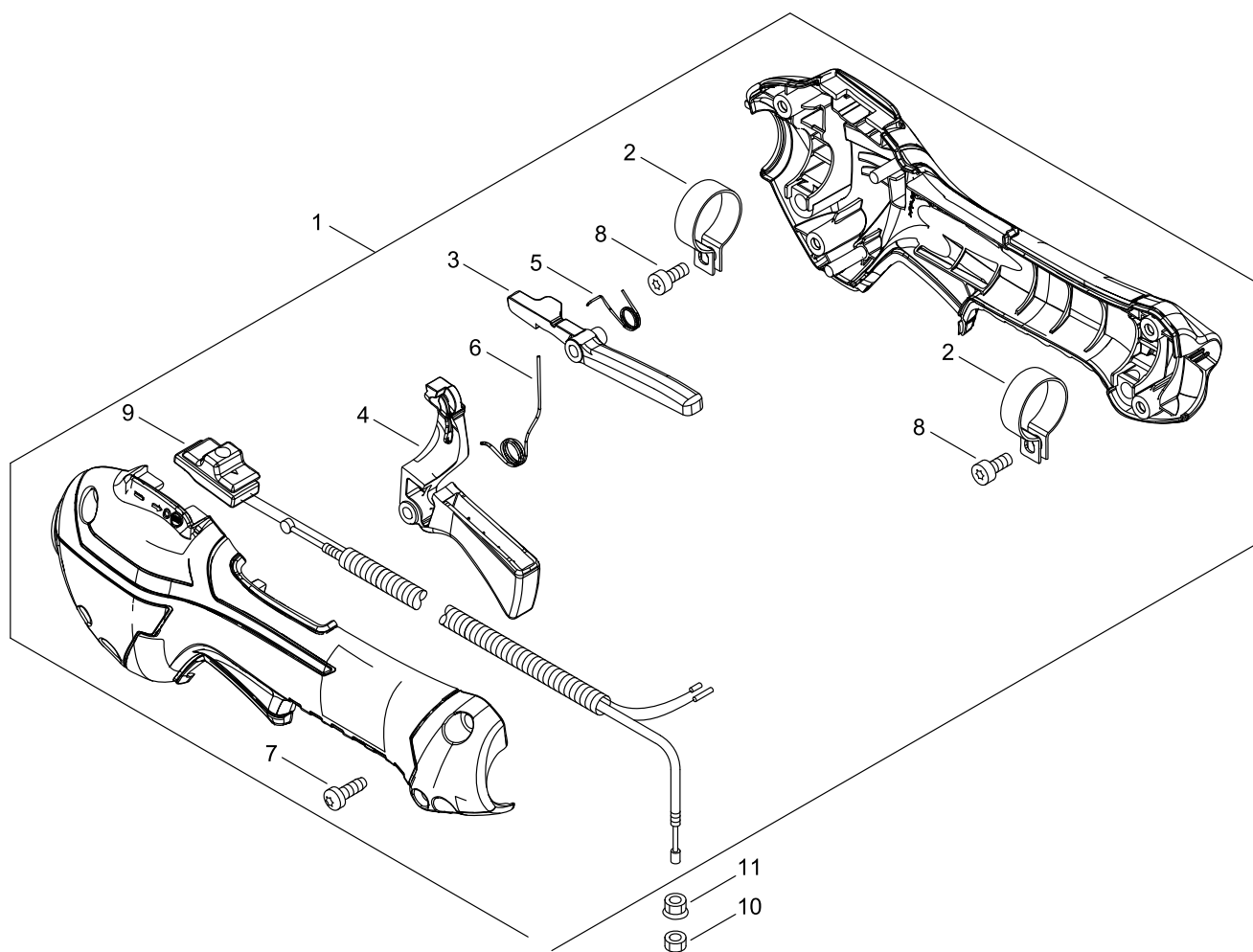
MAIN PIPE



MAIN PIPE

Key No.	LV (+)	Part No	Description	Qty	Standard
1		P100-004090	MAIN PIPE ASY	1	
2	+	890617-12361	LABEL, CAUTION	1	
3		C403-000470	GRIP	1	
4		C440-000022	GUARD,HAND	1	BLADE HOLD-DOWN
5		V805-000160	BOLT, TORX 5	1	TB-5*20 10.9
6		900500-00005	NUT 5	1	5
7		890152-04930	LABEL, CAUTION	1	
8		C506-000470	SHAFT, FLEXIBLE	1	L:59.92
9		P100-005360	HOOK ASY	1	
10	+	301016-52730	RING,HARNES	1	
11	+	301207-08930	HOOK	1	
12	+	699012-03330	SPACER	1	
13	+	V805-000150	BOLT, TORX 5	1	TB-5*16 10.9

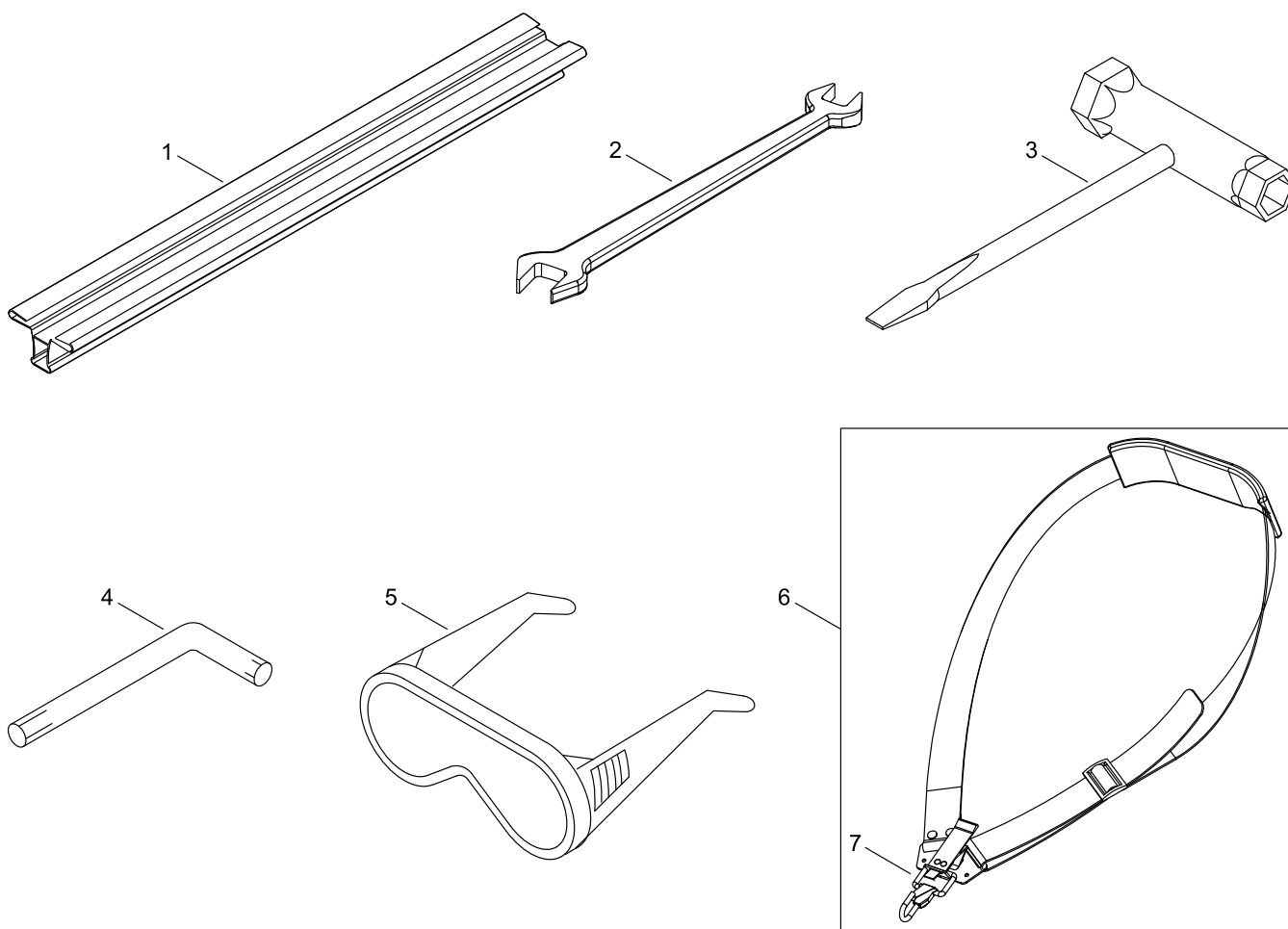
THROTTLE



THROTTLE

Key No.	LV (+)	Part No	Description	Qty	Standard
1		P100-005370	THROTTLE ASY	1	
2	+	V495-003020	BAND	2	
3	+	C460-000441	LOCKOUT, THROTTLE	1	SRM-225 REDESIGN
4	+	C453-000482	LEVER, THROTTLE	1	SRM-225 REDESIGN
5	+	V452-001510	SPRING,TORSION	1	LOCKOUT LEVER
6	+	V452-001520	SPRING,TORSION	1	THROTTLE LEVER
7	+	V805-000000	BOLT, TORX 5	4	TT-5*16 DG 10.9
8	+	V805-000150	BOLT, TORX 5	2	TB-5*16 10.9
9	+	P100-002240	CABLE ASY, CONTROL	1	
10		900502-00006	NUT 6 (3N)	1	3N6
11		900518-00006	NUT, FLANGE	1	6

ACCESSORIES



ACCESSORIES

Key No.	LV (+)	Part No	Description	Qty	Standard
1		X495-000770	SCABBARD, BLADE	1	L=560MM W=71MM
2		895112-00330	SPANNER 8*10	1	
3		895415-66630	WRENCH, SPCKET	1	
4		X605-000170	TOOL, L WRENCH	1	
5		X690-000080	GOGGLE	1	SI CHINA, Z87.1
6		C062-000390	STRAP ASSY	1	
7	+	C649-000200	HOOK	1	

NUMERICAL PARTS INDEX

Part No	Part description	Page	Part No	Part description	Page	Part No	Part description	Page
100013-35430	PIN, PISTON	2	900702-00024	CIRCLIP 24	20	A427-000221	CAP,SPARK PLUG	6
100014-53630	SPACER, PISTON PIN	2	900702-00028	CIRCLIP 28	8	A556-001760	DRUM,CLUTCH	8
100015-03931	CIRCLIP, PISTON PIN	2	900702-00028	CIRCLIP 28	20	A575-000110	FIXTURE,MAIN PIPE	8
100142-12330	KEY, WOODRUFF	6	900702-00042	CIRCLIP 42	8	C062-000390	STRAP ASSY	30
100212-42031	OILSEAL	4	900706-00012	CIRCLIP 12	20	C152-001030	CONNECTOR	6
123114-40630	SCREW	12	900724-00035	O-RING 35	20	C403-000470	GRIP	26
123126-10631	SCREEN, INLET	12	900800-00608	BEARING, BALL 608	20	C403-000880	GRIP, HANDLE	20
123137-19830	VALVE, INLET NEEDLE	12	900800-06001	BEARING, BALL 6001	20	C440-000022	GUARD,HAND	26
123138-03930	PIN, METERING LEVER	12	900800-36001	BEARING, BALL	4	C453-000482	LEVER, THROTTLE	28
123140-27230	GASKET,M. DIAPHRAGM	12	900807-06001	BEARING, BALL 6001	8	C460-000441	LOCKOUT, THROTTLE	28
123142-03930	COVER, M. DIAPHRAGM	12	900810-36000	BEARING, BALL	4	C465-000040	RESETTER, LATCH	20
123173-07930	CLIP	12	900857-06901	BEARING, BALL 6901	20	C506-000470	SHAFT, FLEXIBLE	26
123181-09560	PUMP, PRIMER	12	92108-05000	NUT, FLANGE	24	C532-000530	ROD, CONNECTING	20
131045-28230	COLLAR	20	92411-08000	RING	20	C534-001100	SHAFT, GEAR	20
132010-06531	PIPE 3* 6* 85	14	A011-001460	CRANKSHAFT,ASY	2	C649-000200	HOOK	30
132012-56030	PIPE	14	A021-004600	CARBURETOR, DIAPHRAGM	10	C661-000210	LEVER, RELEASE	20
132115-55931	GROMMET, FUEL	14	A021-004601	CARBURETOR, DIAPHRAGM	12	C661-000220	LEVER, RELEASE	20
145862-40630	SCREEN, MUFFLER	16				E278-000311	PROTECTOR	24
156110-04920	BUSHING	6	A051-003220	STARTER,RECOIL ASY	18	P003-001630	LEVER, METERING	12
175046-56030	SHAFT, CLUTCH	8	A052-000180	PULLEY,ASM STARTER	18	P003-001670	DIAPHRAGM, METERING	12
175048-05530	WASHER (I)	8	A101-000010	RING,PISTON	2	P003-001710	WASHER	12
175049-56030	WASHER	8	A127-000470	COVER,DUST	18	P003-004480	O-RING	12
177220-40630	SPRING, REWIND	18	A130-002330	CYLINDER	2	P003-004530	GASKET, FUEL PUMP	12
177228-27030	GRIP, STARTER	18	A160-003280	COVER,CYLINDER	2	P003-004540	DIAPHRAGM, FUEL PUMP	12
177236-61830	SCREW	18	A172-003142	COVER,FAN	8	P003-004560	SCREW	12
301016-52730	RING,HARNESS	26	A175-000040	STAND	14	P003-004570	SCREW	12
301207-08930	HOOK	26	A202-000300	BELLOWS, INTAKE	10	P003-005850	SWIVEL	12
699012-03330	SPACER	26	A206-000040	HOLDER, BELLOWS	10	P003-005860	SCREW	12
890152-04930	LABEL, CAUTION	26	A209-001000	PLATE, INSULATOR	10	P003-005870	SPRING	12
890332-52730	LABEL, CHOKE	10	A209-001010	PLATE, INSULATOR	10	P003-005880	NEEDLE	12
890617-12361	LABEL, CAUTION	26	A226-002030	ELEMENT, AIR FILTER	10	P003-005890	CLIP	12
895112-00330	SPANNER 8*10	30	A226-002040	ELEMENT, AIR FILTER	10	P003-005900	PLATE	12
895415-66630	WRENCH, SPCKET	30	A227-000050	PLATE, ELEMENT	10	P003-006120	BODY ASSEMBLY, PUMP	12
900175-05012	BOLT, H.S.H	20	A244-000370	PLATE,PREVENT	10	P003-006140	VALVE, THROTTLE	12
900330-40080	PIN F 4*8	8	A313-002060	GUIDE, EXHAUST	16	P003-006500	COVER, FUEL PUMP	12
900500-00005	NUT 5	26	A320-001200	COVER,MUFFLER	16	P021-012211	CAP,FUEL ASY	14
900502-00006	NUT 6 (3N)	20	A350-002350	TANK, FUEL	14	P021-050840	PISTON KIT	2
900502-00006	NUT 6 (3N)	28	A356-000031	VALVE,CHECK	14	P021-050850	CRANKCASE KIT	4
900515-00008	NUT, FLANGE 8	6	A365-000060	CONNECTOR,CAP	14	P021-050880	CLEANER CASE ASY	10
900518-00006	NUT, FLANGE	28	A369-000470	STRAINER, FUEL	14	P022-002100	E-RING	18
900560-00006	NUT, LOCK	20	A409-001320	ROTOR, MAGNETO	6	P022-006510	SPRING, RETURN	18
900602-00005	WASHER 5	14	A411-001790	COIL, IGNITION	6	P022-006850	PAWL, STARTER	18
900603-00006	WASHER 6	20	A413-000080	BOOT	8	P022-008270	SPRING,DAMPER	18
900701-00008	RING, RETAINING(EX)	20	A425-000060	SPARKPLUG	6	P022-022010	NUT	18
900701-00012	CIRCLIP 12	8	A426-000010	TERMINAL,SPARKPLUG	6	P022-022110	ROPE, STARTER	18

NUMERICAL PARTS INDEX

Part No	Part description	Page	Part No	Part description	Page	Part No	Part description	Page
P022-033310	PLATE, CAM	18	V490-001230	CLIP	14	X425-001040	SUPPORT,CUTTER	24
P022-033320	DRUM, STARTER	18	V490-001240	CLIP	14	X431-000250	BLUNT	24
P022-037670	STOPPER, ROPE	18	V490-001520	CLIP	8	X495-000770	SCABBARD,BLADE	30
P022-043670	STATER CASE	18	V494-000891	CAP	20	X503-014720	LABEL,MODEL	2
P022-045770	GUIDE, ROPE	18	V494-001070	CAP	20	X524-001901	LABEL	2
P100-002240	CABLE ASY, CONTROL	28	V495-003020	BAND	28	X547-003370	LABEL,ECHO	18
P100-002270	ARM,CLUTCH SET	8	V503-000040	SEAL,OIL 10	4	X605-000170	TOOL,L WRENCH	30
P100-003600	LID,CLEANER ASY	10	V541-000620	SEAL	22	X690-000080	GOGGLE	30
P100-003620	CASE,GEAR ASY	20	V551-000000	BEARING,NEEDLE 6	20			
P100-003631	LID ASY, GEARCASE	20	V554-000020	BEARING,NEEDLE 9	2			
P100-003640	GEAR,BEVEL	20	V572-000000	BEARING, NEEDLE	20			
P100-004020	MUFFLER ASY	16	V623-000120	PIN,STRAIGHT 5	20			
P100-004090	MAIN PIPE ASY	26	V650-000730	GEAR,SPUR	20			
P100-005340	FAN COVER ASY	8	V651-001100	GEAR,BEVEL	20			
P100-005360	HOOK ASY	26	V655-000110	SHAFT,PINION	20			
P100-005370	THROTTLE ASY	28	V804-000030	BOLT, TORX 4	16			
P100-005380	CASE,GEAR ASY	20	V804-000050	BOLT, TORX 4	20			
V060-000130	GEAR,SPUR	20	V805-000000	BOLT, TORX 5	28			
V100-000840	GASKET,CYL	2	V805-000120	BOLT, TORX 5	24			
V102-000300	GASKET,CRANKCASE	4	V805-000130	BOLT, TORX 5	20			
V103-001890	GASKET,INTAKE	10	V805-000140	BOLT, TORX 5	18			
V103-001900	GASKET,INTAKE	10	V805-000150	BOLT, TORX 5	8			
V104-002300	GASKET,EXHAUST	16	V805-000150	BOLT, TORX 5	10			
V104-002310	GASKET,EXHAUST	16	V805-000150	BOLT, TORX 5	20			
V107-000190	GASKET,FUEL CAP	14	V805-000150	BOLT, TORX 5	26			
V110-000200	GASKET,GEAR CASE	20	V805-000150	BOLT, TORX 5	28			
V150-004310	PLATE,EYE	20	V805-000160	BOLT, TORX 5	8			
V150-004320	PLATE,EYE	20	V805-000160	BOLT, TORX 5	14			
V150-004330	PLATE,EYE	24	V805-000160	BOLT, TORX 5	26			
V186-000500	JOINT,PIPE	14	V805-000170	BOLT, TORX 5	8			
V187-000080	GREASE NIPPLE	20	V805-000170	BOLT, TORX 5	14			
V204-000580	PIN RATCHET	20	V805-000170	BOLT, TORX 5	20			
V253-001020	SCREW,5	10	V805-000170	BOLT, TORX 5	24			
V299-000640	KNOB,FASTENER	10	V805-000180	BOLT, TORX 5	24			
V303-000290	WASHER	24	V805-000210	BOLT, TORX 5	2			
V323-000070	WASHER,CIRCULAR 5	6	V805-000210	BOLT, TORX 5	6			
V347-000030	CONE WASHER	20	V805-000220	BOLT, TORX 5	4			
V353-000250	COLLAR	24	V805-000250	BOLT, TORX 5	16			
V451-001390	SPRING,TENSION	8	V805-000340	BOLT, TORX 5	10			
V452-001510	SPRING,TORSION	28	V835-000010	BOLT, TORX 5	2			
V452-001520	SPRING,TORSION	28	V835-000010	BOLT, TORX 5	16			
V452-001740	SPRING,TORSION	20	V855-000000	BOLT, TORX 5	10			
V471-001231	PIPE	14	X041-000630	CUTTER,ASM	24			
V475-007540	TUBE	6	X411-001360	CUTTER	24			
V485-002880	LEAD	6	X425-001030	SUPPORT,CUTTER	24			