

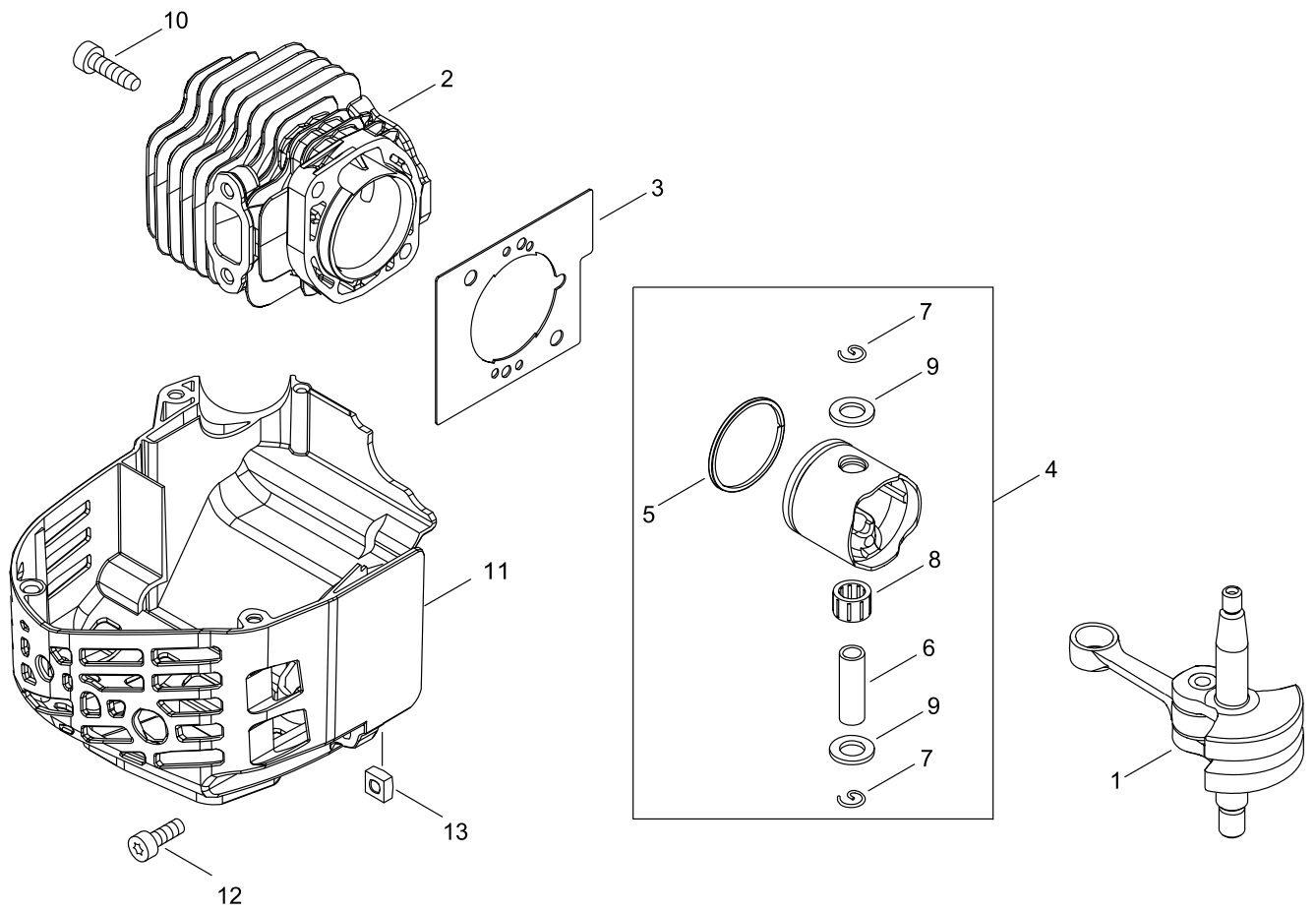
HC-2320

Published:09/27/2019

TABLE OF CONTENTS

CYLINDER, PISTON, CRANKSHAFT.....	1
CRANKCASE	3
MAGNETO.....	5
AIR CLEANER, CARBURETOR.....	7
CARBURETOR.....	9
FUEL TANK.....	11
MUFFLER	13
RECOIL STARTER.....	15
GEAR CASE.....	17
CUTTING BLADE.....	19
HANDLE.....	21
ACCESSORIES	23

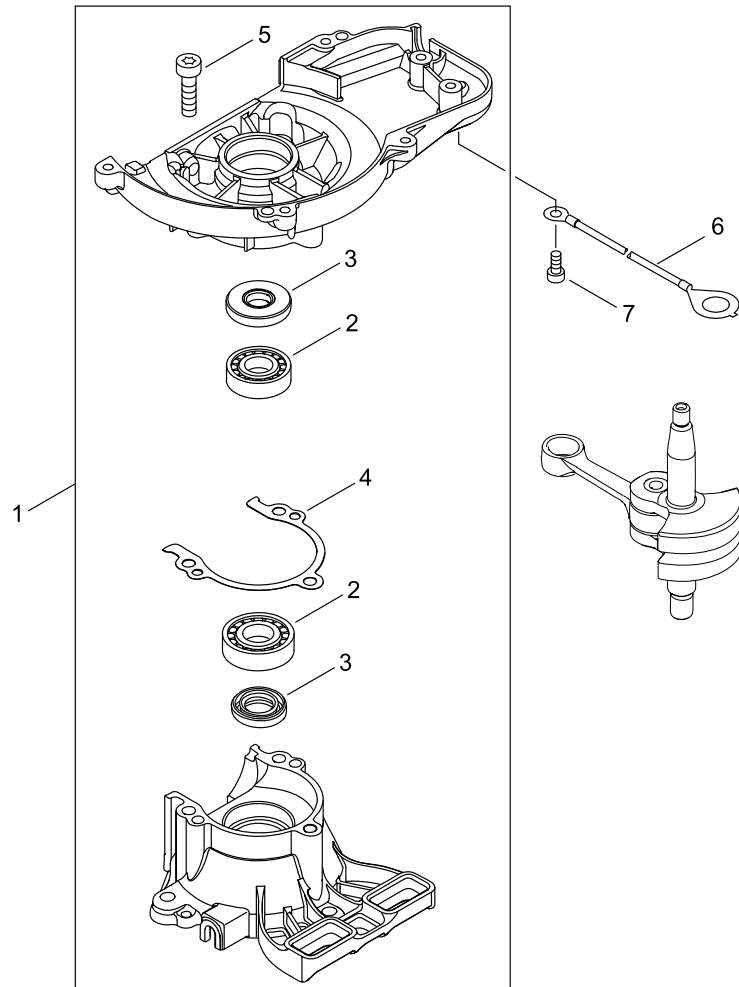
CYLINDER, PISTON, CRANKSHAFT



CYLINDER, PISTON, CRANKSHAFT

KEY NO	LV(+)	Part No	Description	Qty	Standard	Comment
1		A011-001550	CRANKSHAFT,ASY	1		
2		A130-001960	CYLINDER	1		
3		V100-000720	GASKET,CYL	1		
4		P021-007772	PISTON KIT	1		
5	+	A101-000090	RING,PISTON	1		
6	+	100013-11520	PIN, PISTON	1		
7	+	100015-04630	CIRCLIP, PISTON PIN	2		
8	+	100113-05930	BEARING, NEEDLE	1	8*12*8	
9	+	100014-08960	SPACER, PISTON PIN	2		
10		V805-000210	BOLT, TORX 5	2	TB-5*20 12.9	
11		A160-003580	COVER,CYLINDER	1	HC-2020	
12		V805-000150	BOLT, TORX 5	1	TB-5*16 10.9	
13		900565-00005	NUT, SQUARE	1	5	

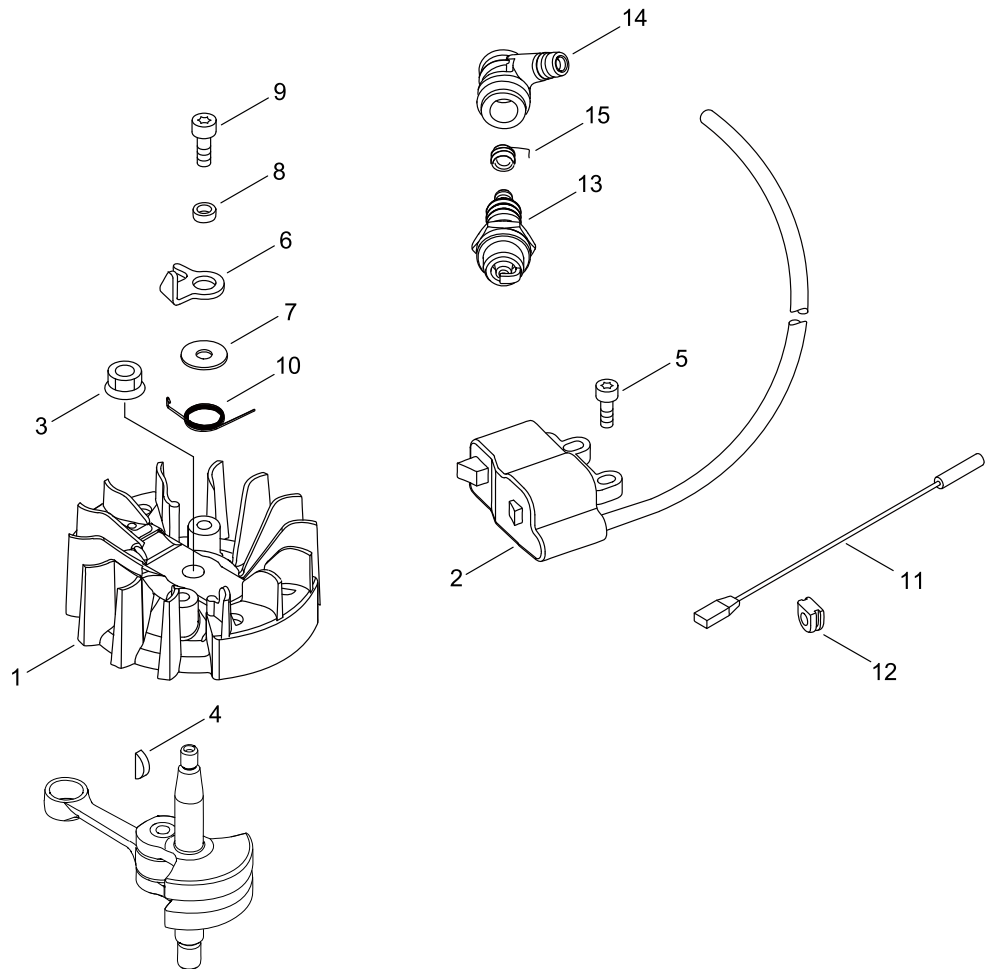
CRANKCASE



CRANKCASE

KEY NO	LV(+)	Part No	Description	Qty	Standard	Comment
1		P100-006080	CRANKCASE SET	1		
2	+	900810-36000	BEARING, BALL	2	6000	
3	+	100212-61830	OILSEAL	2	ISCD 10*20*5	
4	+	V102-000240	GASKET,CRANKCASE	1		
5	+	V805-000220	BOLT, TORX 5	3	TB-5*25 12.9	
6		V485-003140	LEAD	1		
7		V804-000040	BOLT, TORX 4	1	TB-4*10 10.9	

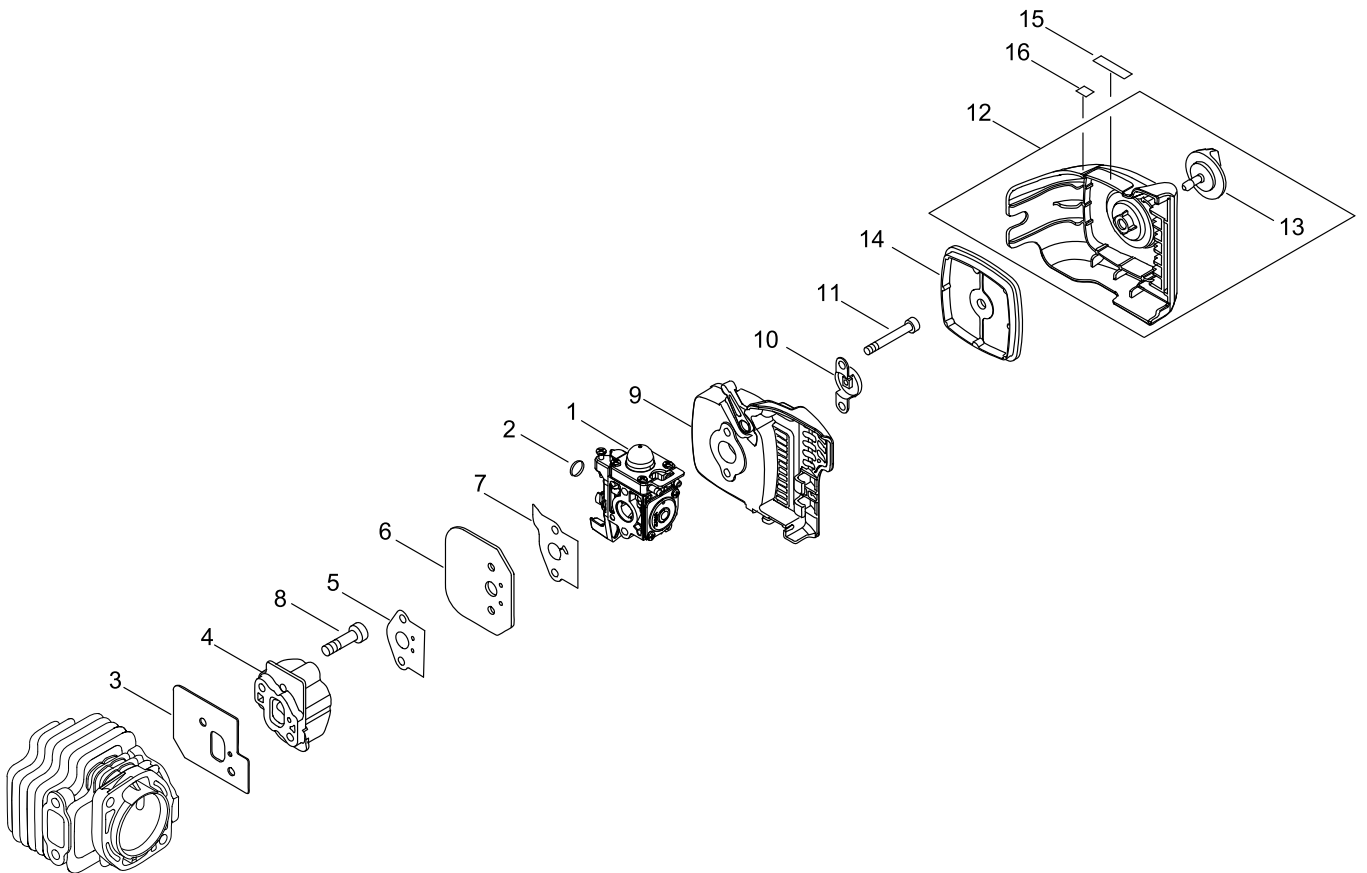
MAGNETO



MAGNETO

KEY NO	LV(+)	Part No	Description	Qty	Standard	Comment
1		A409-001360	ROTOR, MAGNETO	1	ID R10011	
2		A411-001810	COIL, IGNITION	1	L200+10	
3		92105-06000	NUT L, FLANGE	1	6	
4		100142-12330	KEY, WOODRUFF	1		
5		V804-000060	BOLT, TORX 4	2	TB-4*16 10.9	
6		A514-000260	PAWL	2		
7		131911-03460	WASHER	2		
8		178070-10860	SPACER	2		
9		V805-000150	BOLT, TORX 5	2	TB-5*16 10.9	
10		V452-001370	SPRING,TORSION	2		
11		V485-001220	LEAD	1	L:85	
12		V135-000150	GROMMET,HT CORD	1		
13		A425-000000	SPARKPLUG	1	BPMR8Y	
14		A427-000013	CAP,SPARK PLUG	1		
15		A426-000010	TERMINAL,SPARKPLUG	1		

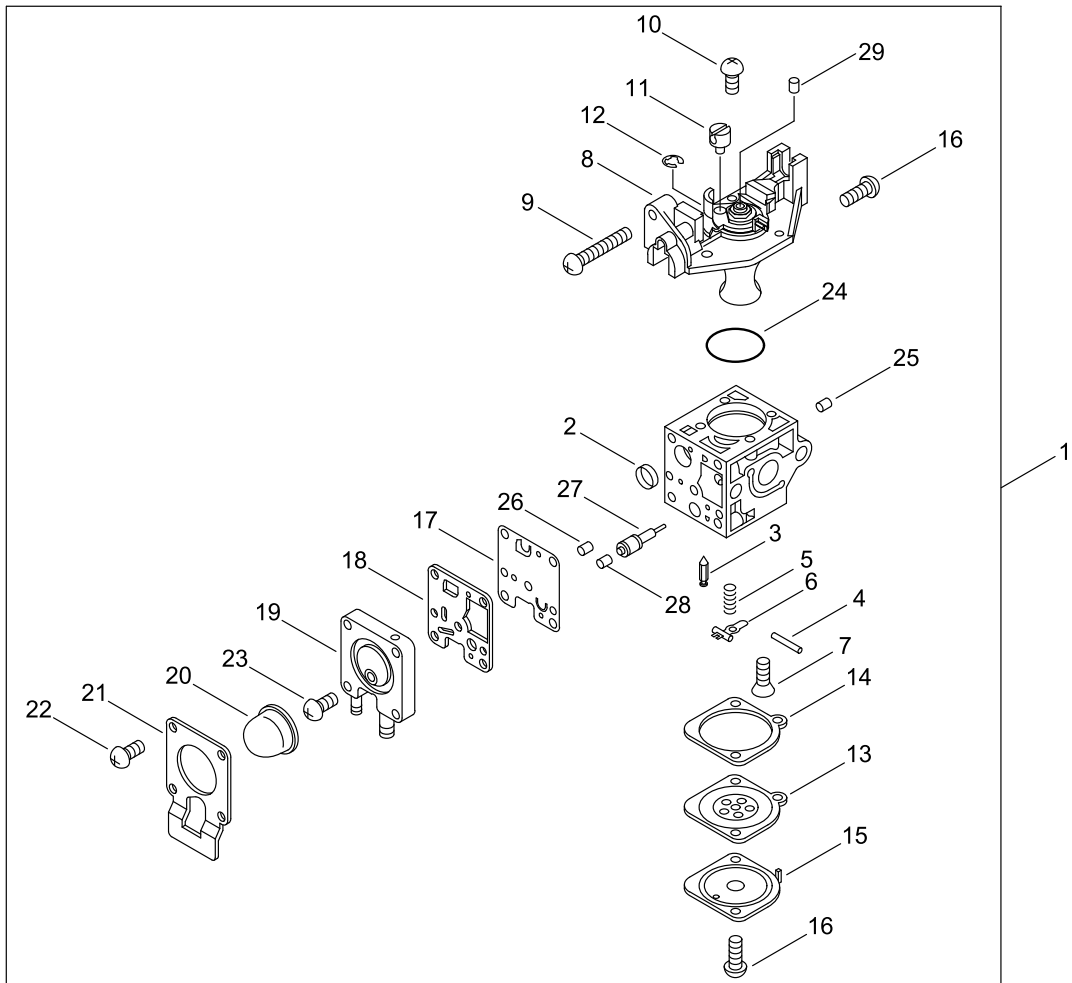
AIR CLEANER, CARBURETOR



AIR CLEANER, CARBURETOR

KEY NO	LV(+)	Part No	Description	Qty	Standard	Comment
1		A021-004900	CARBURETOR, DIAPHRAGM	1	ID:YZ0008	
2		V490-001100	CLIP	1		
3		V103-002030	GASKET,INTAKE	1	T1.0	
4		A200-001200	INSULATOR, INTAKE	1		
5		V103-002020	GASKET,INTAKE	1		
6		A209-000610	PLATE, INSULATOR	1		
7		V103-001740	GASKET,INTAKE	1		
8		V805-000170	BOLT, TORX 5	2	TB-5*25 10.9	
9		P021-049871	CASE,CLEANER	1		
10		A244-000070	PLATE,PREVENT	1		
11		V805-000100	BOLT, TORX 5	2	TB-5*65 10.9	
12		P021-049130	CLEANER COVER ASY	1		
13	+	V299-000610	KNOB,FASTENER	1		
14		A226-001410	ELEMENT,AIR FILTER	1		
15		890332-52730	LABEL, CHOKE	1		
16		X524-001901	LABEL	1		

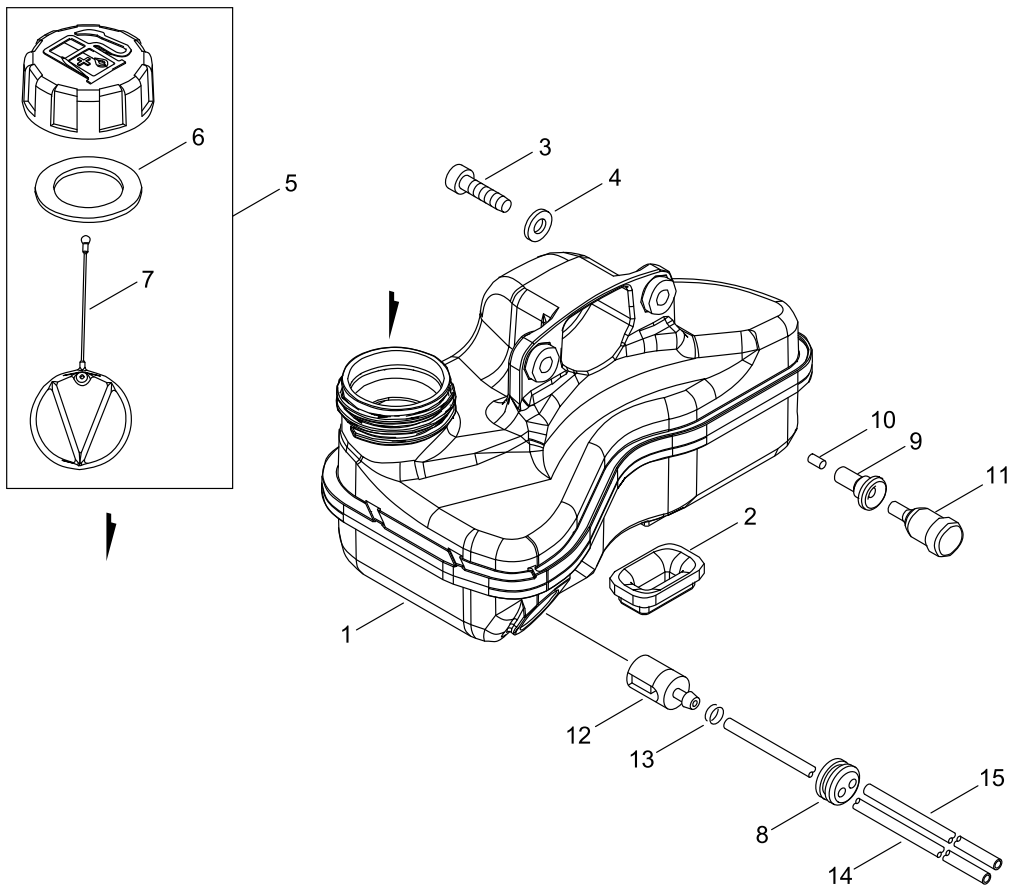
CARBURETOR



CARBURETOR

KEY NO	LV(+)	Part No	Description	Qty	Standard	Comment
1		A021-004900	CARBURETOR, DIAPHRAGM	1	ID:YZ0008	
2	+	P005-000010	STRAINER	1		
3	+	125337-08260	VALVE, INLET NEEDLE	1		
4	+	125338-13930	PIN, METERING ARM	1		
5	+	P005-000940	SPRING, METER. LEVER	1		
6	+	125323-08260	ARM, VALVE	1		
7	+	125339-42030	SCREW	1		
8	+	P005-002050	COVER ASY, ROTOR	1		
9	+	P005-000100	SCREW, THROTTLEADJUST	1		
10	+	125344-13931	SCREW	3		
11	+	P005-002200	POST	1		
12	+	P005-000190	E-RING	1		
13	+	P005-003760	DIAPHRAGM ,METERING	1		
14	+	P005-000200	GASKET, METERING	1		
15	+	125342-52130	COVER, DIAPHRAGM	1		
16	+	125344-52130	SCREW	3		
17	+	P005-000510	DIAPHRAGM, PUMP	1		
18	+	P005-000520	GASKET, PUMP	1		
19	+	P005-004240	BASE, ASY PRIMER	1		
20	+	P005-003110	PUMP, PRIMER	1		
21	+	P005-000250	RETAINER	1		
22	+	P005-001900	SCREW	4		
23	+	P005-000270	SCREW	1		
24	+	P005-004260	RING,O	1		
25	+	P005-001000	ROLLER, GUIDE	1		
26	+	P005-001250	RETAINER,PLUG BALL	1		
27	+	P005-001260	SCREW,MAINN MIXTURE	1		
28	+	P005-001270	PLUG, AJUST SCREW	1		
29	+	A259-000010	CAP,LIMITER	1		

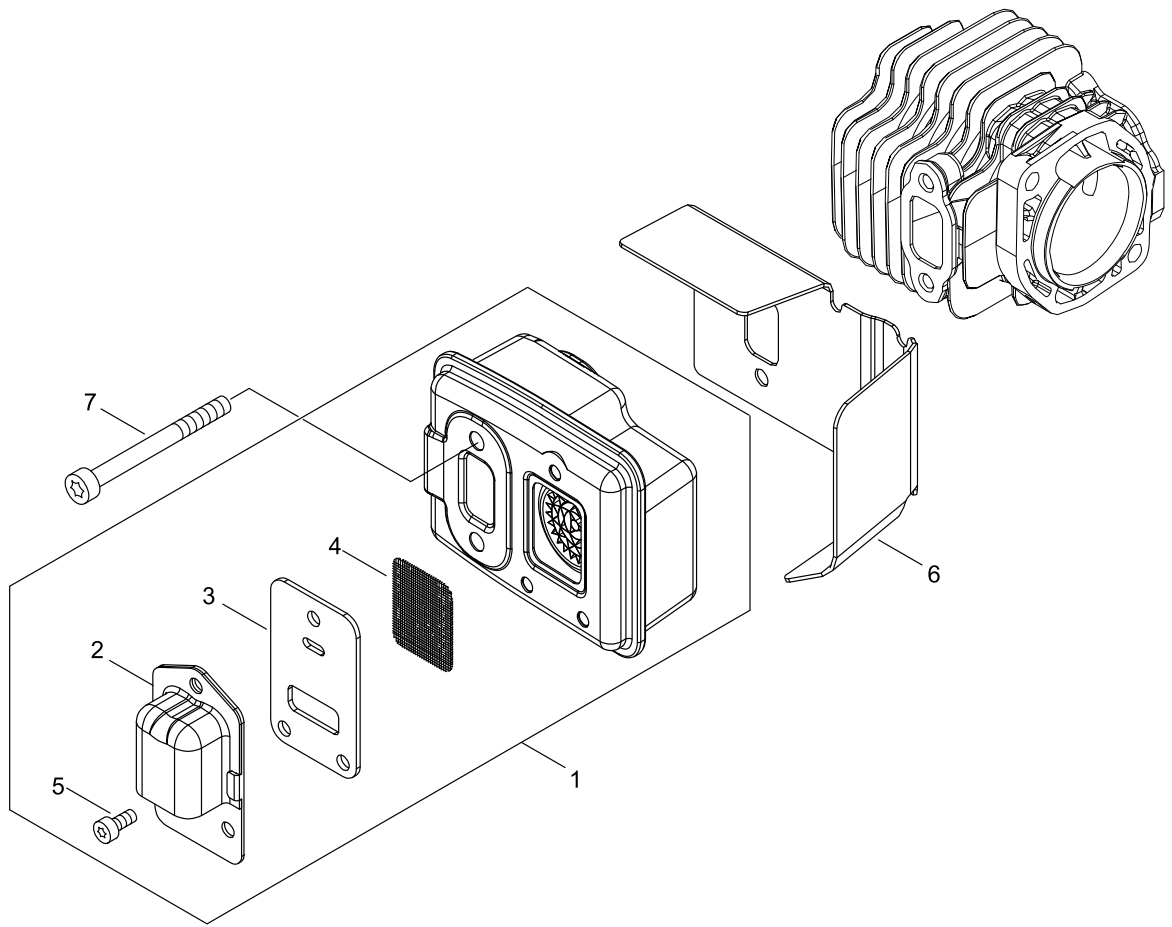
FUEL TANK



FUEL TANK

KEY NO	LV(+)	Part No	Description	Qty	Standard	Comment
1		A350-002520	TANK, FUEL	1		
2		V420-004490	CUSHION	2		
3		V805-000160	BOLT, TORX 5	2	TB-5*20 10.9	
4		900603-00005	WASHER	2	5	
5		P100-006051	FUEL CAP ASY	1		
6	+	V107-000190	GASKET,FUEL CAP	1	37.9*T2.2	
7	+	A365-000050	CONNECTOR,CAP	1		
8		132115-44331	GROMMET, FUEL	1		
9		V137-000150	GROMMET,FUEL	1		
10		131314-35430	VALVE, CHECK	1		
11		A356-000031	VALVE,CHECK	1		
12		A369-000480	STRAINER, FUEL	1	125-959	
13		V490-001240	CLIP	1		
14		V471-005540	PIPE	1	3*5*210	
15		132010-56330	PIPE 3*6*90	1	3*6*90 YL	

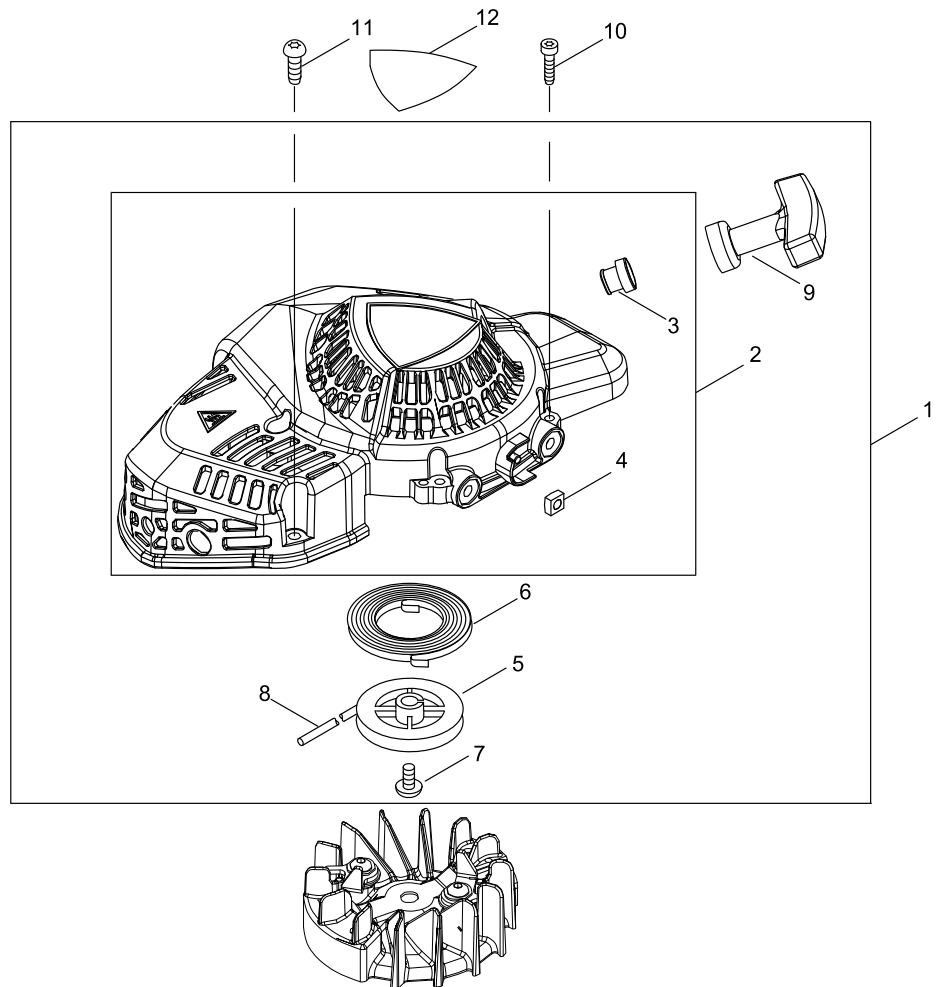
MUFFLER



MUFFLER

KEY NO	LV(+)	Part No	Description	Qty	Standard	Comment
1		P100-009110	MUFFLER ASY	1		
2	+	A313-002120	GUIDE, EXHAUST	1	ID#2920	
3	+	V104-002530	GASKET,EXHAUST	1	T:1.5	
4	+	145862-40630	SCREEN, MUFFLER	1		
5	+	V804-000030	BOLT, TORX 4	3	TB-4*8 10.9	
6		V104-002190	GASKET,EXHAUST	1		
7		V805-000190	BOLT, TORX 5	2	TB-5*55 12.9	

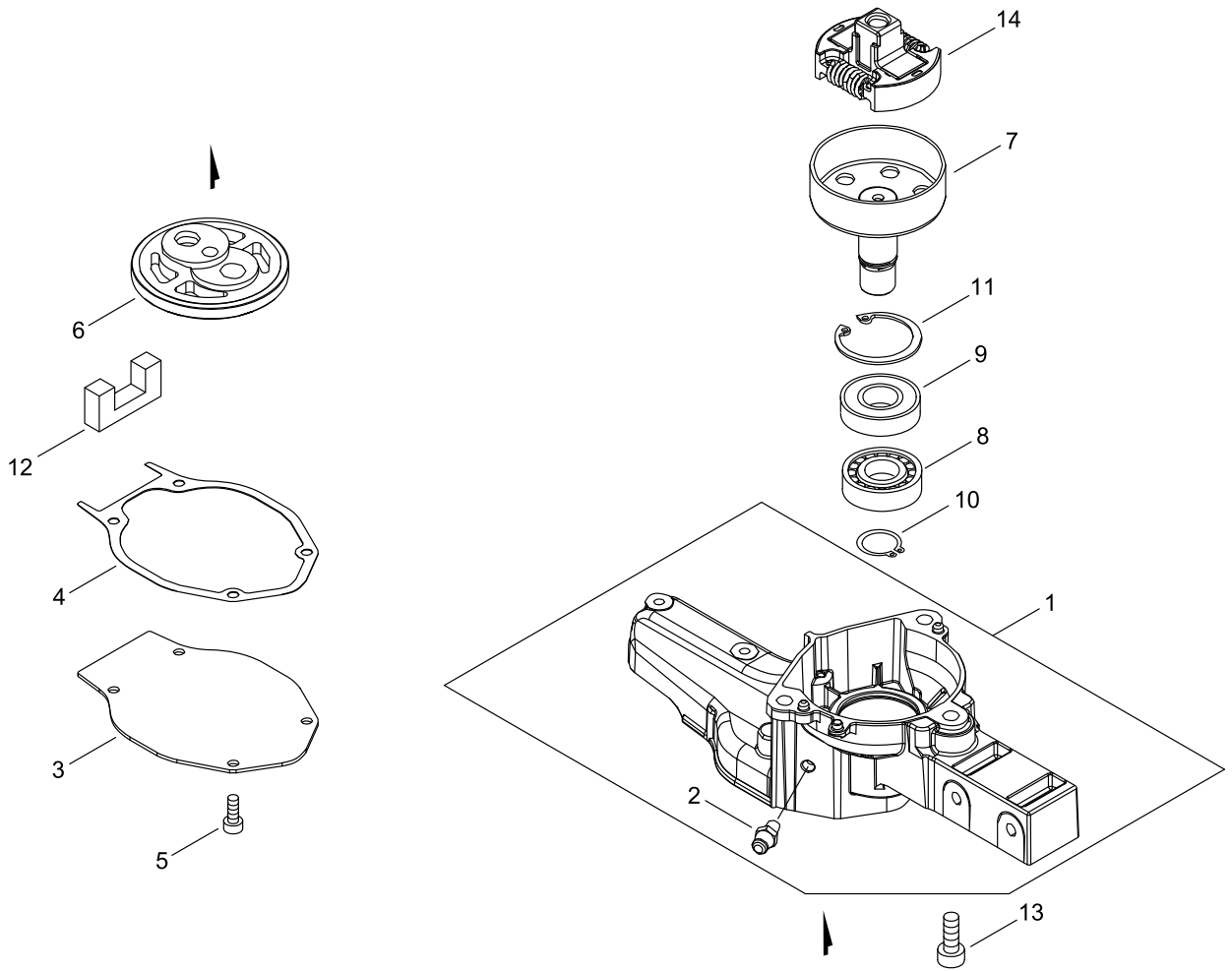
RECOIL STARTER



RECOIL STARTER

KEY NO	LV(+)	Part No	Description	Qty	Standard	Comment
1		A051-003390	STARTER,RECOIL ASY	1		
2	+	P022-051640	CASE, STARTER	1		
3	++	P022-045770	GUIDE, ROPE	1		
4	++	P022-022010	NUT	2		
5	+	P022-051650	DRUM, STARTER	1		
6	+	P022-019680	SPRING, SPIRAL	1		
7	+	177236-44330	SCREW	1		
8	+	P022-039290	ROPE, STARTER	1		
9	+	P022-051660	GRIP, STARTER	1		
10		V804-000060	BOLT, TORX 4	4	TB-4*16 10.9	
11		V805-000000	BOLT, TORX 5	2	TT-5*16 DG 10.9	
12		X502-001210	LABEL,ECHO	1	EHCO+HC-2320	

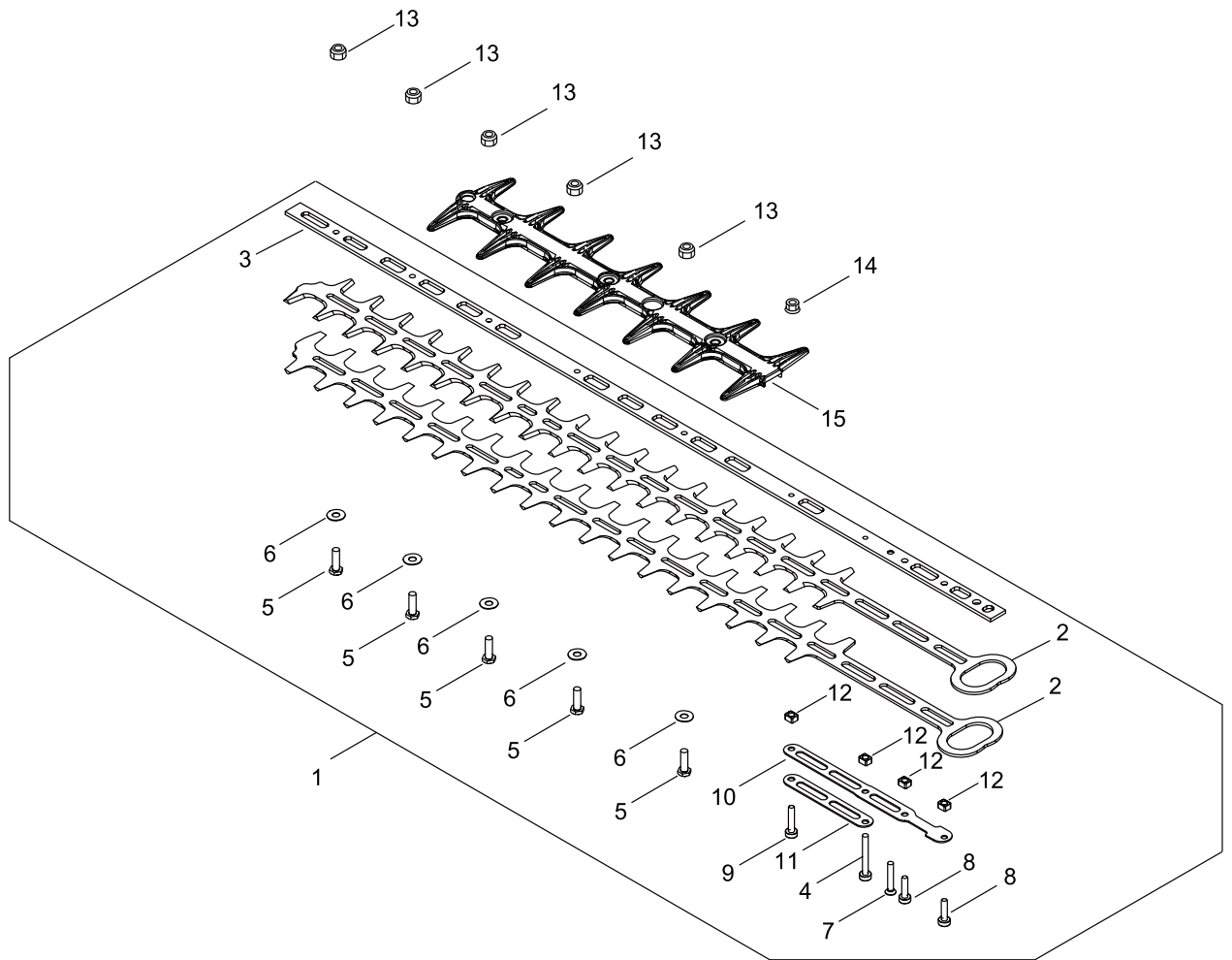
GEAR CASE



GEAR CASE

KEY NO	LV(+)	Part No	Description	Qty	Standard	Comment
1		P100-006070	CASE,GEAR ASY	1		
2	+	880110-54230	NIPPLE, GREASE	1		
3		C539-000190	LID,GEARCASE	1	T1.6	
4		V110-000230	GASKET,GEAR CASE	1	T0.3	
5		V804-000050	BOLT, TORX 4	4	TB-4*12 10.9	
6		V650-000740	GEAR,SPUR	1		
7		A556-001840	DRUM, CLUTCH	1	50 T1.4	
8		900800-06002	BEARING, BALL	1	6002	
9		900802-06002	BEARING, BALL	1	6002LLU(DDU)	
10		900701-00014	RETAINING RING, EXTERNAL	1	CS-14	
11		900702-00032	RETAINING RING, INTERNAL	1	CR-32	
12		V541-000750	SEAL	1		
13		V806-000130	BOLT, TORX 6	3	TB-6*16 ALL 10.9	
14		A056-000790	CLUTCH ASY	1		

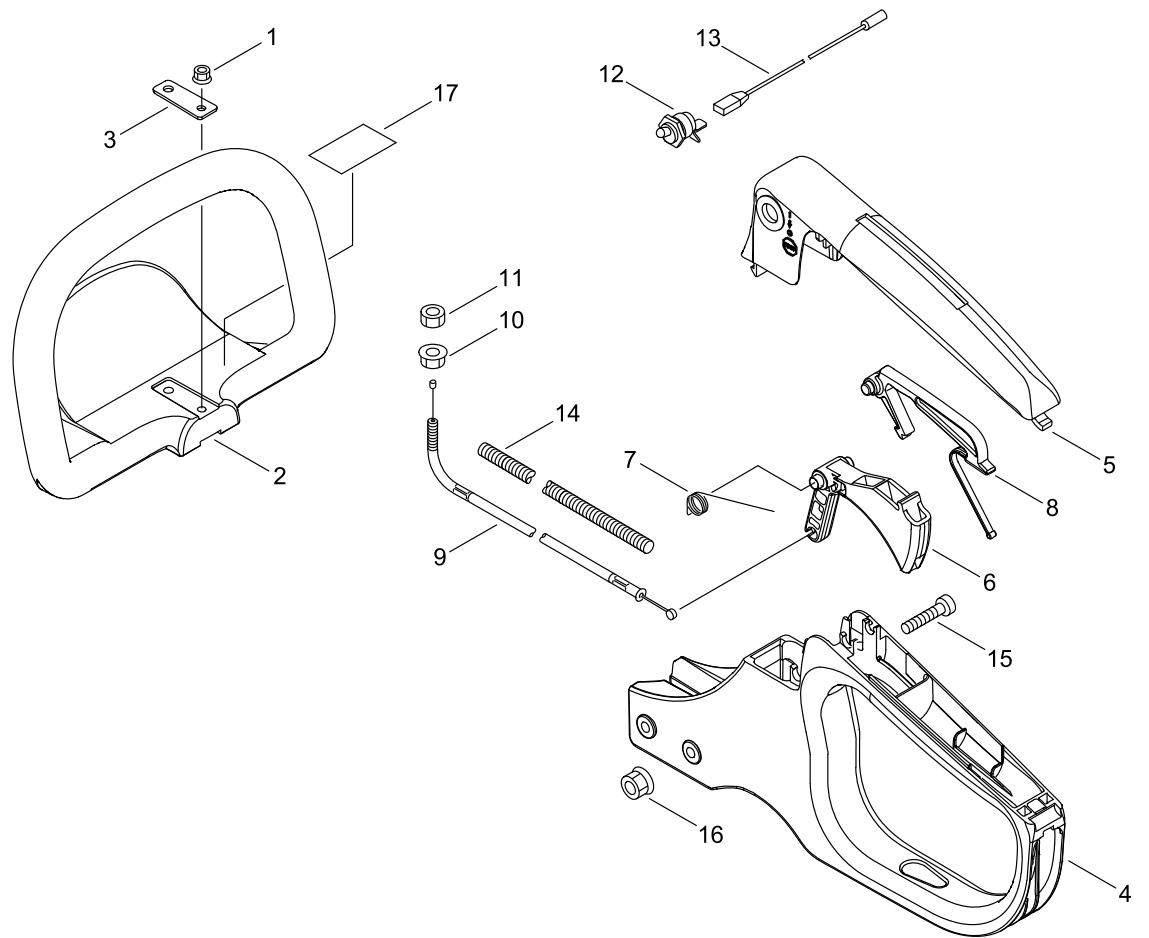
CUTTING BLADE



CUTTING BLADE

KEY NO	LV(+)	Part No	Description	Qty	Standard	Comment
1		P100-008810	CUTTER SET	1		
2	+	X412-000860	CUTTER	2		
3	+	X425-001160	SUPPORT,CUTTER	1		
4	+	V805-000400	BOLT, TORX 5	1	TB-5*40 ALL 12.9	
5	+	V204-000570	BOLT	5		
6	+	699118-04560	WASHER	5		
7	+	900212-05030	SCREW	1	5*30	
8	+	V805-000210	BOLT, TORX 5	2	TB-5*20 12.9	
9	+	V805-000220	BOLT, TORX 5	1	TB-5*25 12.9	
10	+	V150-004720	PLATE,EYE	1	T:1.2	
11	+	V150-004730	PLATE,EYE	1	T:1.2	
12	+	V353-000250	COLLAR	4	9*7.45*5.3	
13		433022-06460	NUT	5		
14		92108-05000	NUT, FLANGE	1	5	
15		X431-000200	BLUNT	1		

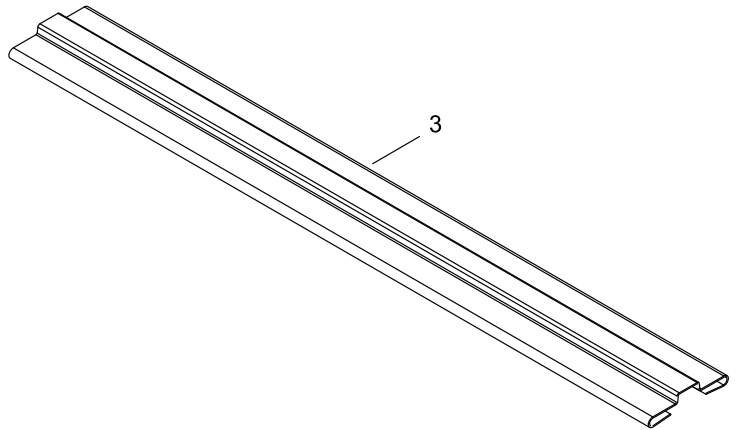
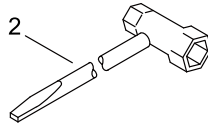
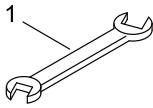
HANDLE



HANDLE

KEY NO	LV(+)	Part No	Description	Qty	Standard	Comment
1		92108-05000	NUT, FLANGE	2	5	
2		C400-000533	HANDLE, FRONT	1		
3		351611-05360	WASHER	1		
4		C410-000431	HANDLE, REAR	1	HC-155/ HC-2020	
5		C411-000030	LID,HANDLE	1		
6		C450-000750	TRIGGER,THROTTLE	1		
7		V452-000392	SPRING,TORSION	1	11.5 ID	
8		C460-000120	LOCKOUT, THROTTLE	1		
9		V430-004670	CABLE,BOWDEN	1		
10		900515-00006	NUT, FLANGE	1	6	
11		900502-00006	NUT	1	6	
12		163400-03460	SWITCH, IGNITION	1		
13		V485-003150	LEAD	1	C2809 CA104 415	
14		V475-007040	TUBE	1	7*210	
15		V805-000280	BOLT, TORX 5	2	TB-5*45 10.9	
16		92108-05000	NUT, FLANGE	2	5	
17		X505-002030	LABEL,CAUTION	1	37*35	

ACCESSORIES



ACCESSORIES

KEY NO	LV(+)	Part No	Description	Qty	Standard	Comment
1		895112-00330	SPANNER 8*10	1		
2		895410-03930	WRENCH, W/S. DRIVER	1		
3		X495-000820	SCABBARD, BLADE	1	L700	

NUMERICAL PARTS INDEX

Part No	Part description	Page	Part No	Part description	Page	Part No	Part description	Page
100013-1-1520	PIN, PISTON	2	880110-5-4230	NIPPLE, GREASE	18	A160-00-3580	COVER,CYLINDER	2
100014-0-8960	SPACER, PISTON PIN	2	890332-5-2730	LABEL, CHOKE	8	A200-00-1200	INSULATOR, INTAKE	8
100015-0-4630	CIRCLIP, PISTON PIN	2	895112-0-0330	SPANNER 8*10	24	A209-00-0610	PLATE, INSULATOR	8
100113-0-5930	BEARING, NEEDLE	2	895410-0-3930	WRENCH, W/S. DRIVER	24	A226-00-1410	ELEMENT,AIR FILTER	8
100142-1-2330	KEY, WOODRUFF	6	900212-0-5030	SCREW	20	A244-00-0070	PLATE,PREVENT	8
100212-6-1830	OILSEAL	4	900502-0-0006	NUT	22	A259-00-0010	CAP,LIMITER	10
125323-0-8260	ARM, VALVE	10	900515-0-0006	NUT, FLANGE	22	A313-00-2120	GUIDE, EXHAUST	14
125337-0-8260	VALVE, INLET NEEDLE	10	900565-0-0005	NUT, SQUARE	2	A350-00-2520	TANK, FUEL	12
125338-1-3930	PIN, METERING ARM	10	900603-0-0005	WASHER	12	A356-00-0031	VALVE,CHECK	12
125339-4-2030	SCREW	10	900701-0-0014	RETAINING RING, EXTERNAL	18	A365-00-0050	CONNECTOR,CAP	12
125342-5-2130	COVER, DIAPHRAGM	10	900702-0-0032	RETAINING RING, INTERNAL	18	A369-00-0480	STRAINER, FUEL	12
125344-1-3931	SCREW	10	900800-0-6002	BEARING, BALL	18	A409-00-1360	ROTOR, MAGNETO	6
125344-5-2130	SCREW	10	900802-0-6002	BEARING, BALL	18	A411-00-1810	COIL, IGNITION	6
131314-3-5430	VALVE, CHECK	12	900810-3-6000	BEARING, BALL	4	A425-00-0000	SPARKPLUG	6
131911-0-3460	WASHER	6	92105-06-000	NUT L, FLANGE	6	A426-00-0010	TERMINAL, SPARKPLUG	6
132010-5-6330	PIPE 3*6*90	12	92108-05-000	NUT, FLANGE	20	A427-00-0013	CAP,SPARK PLUG	6
132115-4-4331	GROMMET, FUEL	12	92108-05-000	NUT, FLANGE	22	A514-00-0260	PAWL	6
145862-4-0630	SCREEN, MUFFLER	14	A011-00-1550	CRANKSHAFT,ASY	2	A556-00-1840	DRUM, CLUTCH	18
163400-0-3460	SWITCH, IGNITION	22	A021-00-4900	CARBURETOR, DIAPHRAGM	8	C400-00-0533	HANDLE, FRONT	22
177236-4-4330	SCREW	16	A021-00-4900	CARBURETOR, DIAPHRAGM	10	C410-00-0431	HANDLE, REAR	22
178070-1-0860	SPACER	6	A051-00-3390	STARTER,RECOIL ASY	16	C411-00-0030	LID,HANDLE	22
351611-0-5360	WASHER	22	A056-00-0790	CLUTCH ASY	18	C450-00-0750	TRIGGER, THROTTLE	22
433022-0-6460	NUT	20	A101-00-0090	RING,PISTON	2	C460-00-0120	LOCKOUT, THROTTLE	22
699118-0-4560	WASHER	20	A130-00-1960	CYLINDER	2	C539-00-0190	LID,GEARCASE	18

NUMERICAL PARTS INDEX

Part No	Part description	Page	Part No	Part description	Page	Part No	Part description	Page
P005-00-0010	STRAINER	10	P022-02-2010	NUT	16	V204-00-0570	BOLT	20
P005-00-0100	SCREW, THROTTLEADJUST	10	P022-03-9290	ROPE, STARTER	16	V299-00-0610	KNOB,FASTENER	8
P005-00-0190	E-RING	10	P022-04-5770	GUIDE, ROPE	16	V353-00-0250	COLLAR	20
P005-00-0200	GASKET, METERING	10	P022-05-1640	CASE, STARTER	16	V420-00-4490	CUSHION	12
P005-00-0250	RETAINER	10	P022-05-1650	DRUM, STARTER	16	V430-00-4670	CABLE,BOWDEN	22
P005-00-0270	SCREW	10	P022-05-1660	GRIP, STARTER	16	V452-00-0392	SPRING,TORSION	22
P005-00-0510	DIAPHRAGM, PUMP	10	P100-00-6051	FUEL CAP ASY	12	V452-00-1370	SPRING,TORSION	6
P005-00-0520	GASKET, PUMP	10	P100-00-6070	CASE,GEAR ASY	18	V471-00-5540	PIPE	12
P005-00-0940	SPRING, METER. LEVER	10	P100-00-6080	CRANKCASE SET	4	V475-00-7040	TUBE	22
P005-00-1000	ROLLER, GUIDE	10	P100-00-8810	CUTTER SET	20	V485-00-1220	LEAD	6
P005-00-1250	RETAINER,PLUG BALL	10	P100-00-9110	MUFFLER ASY	14	V485-00-3140	LEAD	4
P005-00-1260	SCREW,MAINN MIXTURE	10	V100-00-0720	GASKET,CYL	2	V485-00-3150	LEAD	22
P005-00-1270	PLUG, AJUST SCREW	10	V102-00-0240	GASKET, CRANKCASE	4	V490-00-1100	CLIP	8
P005-00-1900	SCREW	10	V103-00-1740	GASKET,INTAKE	8	V490-00-1240	CLIP	12
P005-00-2050	COVER ASY, ROTOR	10	V103-00-2020	GASKET,INTAKE	8	V541-00-0750	SEAL	18
P005-00-2200	POST	10	V103-00-2030	GASKET,INTAKE	8	V650-00-0740	GEAR,SPUR	18
P005-00-3110	PUMP, PRIMER	10	V104-00-2190	GASKET,EXHAUST	14	V804-00-0030	BOLT, TORX 4	14
P005-00-3760	DIAPHRAGM , METERING	10	V104-00-2530	GASKET,EXHAUST	14	V804-00-0040	BOLT, TORX 4	4
P005-00-4240	BASE, ASY PRIMER	10	V107-00-0190	GASKET,FUEL CAP	12	V804-00-0050	BOLT, TORX 4	18
P005-00-4260	RING,O	10	V110-00-0230	GASKET,GEAR CASE	18	V804-00-0060	BOLT, TORX 4	6
P021-00-7772	PISTON KIT	2	V135-00-0150	GROMMET,HT CORD	6	V804-00-0060	BOLT, TORX 4	16
P021-04-9130	CLEANER COVER ASY	8	V137-00-0150	GROMMET,FUEL	12	V805-00-0000	BOLT, TORX 5	16
P021-04-9871	CASE,CLEANER	8	V150-00-4720	PLATE,EYE	20	V805-00-0100	BOLT, TORX 5	8
P022-01-9680	SPRING, SPIRAL	16	V150-00-4730	PLATE,EYE	20	V805-00-0150	BOLT, TORX 5	2

NUMERICAL PARTS INDEX

Part No	Part description	Page
V805-00-0150	BOLT, TORX 5	6
V805-00-0160	BOLT, TORX 5	12
V805-00-0170	BOLT, TORX 5	8
V805-00-0190	BOLT, TORX 5	14
V805-00-0210	BOLT, TORX 5	2
V805-00-0210	BOLT, TORX 5	20
V805-00-0220	BOLT, TORX 5	4
V805-00-0220	BOLT, TORX 5	20
V805-00-0280	BOLT, TORX 5	22
V805-00-0400	BOLT, TORX 5	20
V806-00-0130	BOLT, TORX 6	18
X412-00-0860	CUTTER	20
X425-00-1160	SUPPORT,CUTTER	20
X431-00-0200	BLUNT	20
X495-00-0820	SCABBARD,BLADE	24
X502-00-1210	LABEL,ECHO	16
X505-00-2030	LABEL,CAUTION	22
X524-00-1901	LABEL	8