



# **PARTS CATALOG**

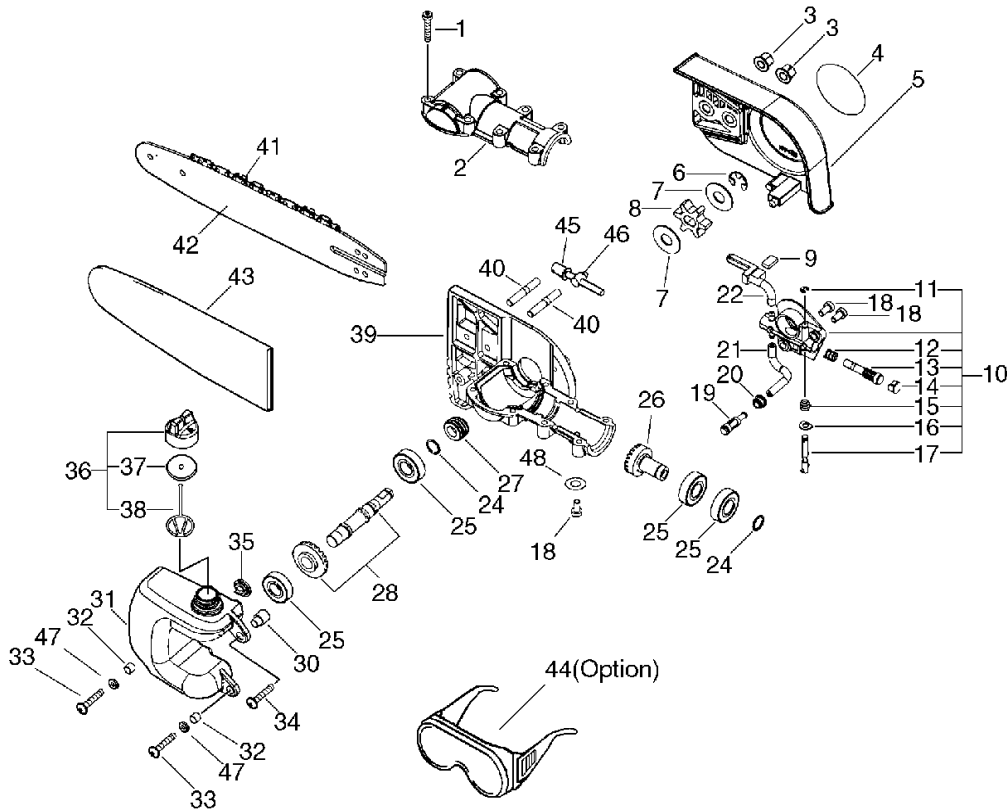
## **PAS ATTACHMENT SBPP-SRM(PAS-Power Pruner)**

- 35002499

SBPP-SRM(PAS-Power Pruner)

# SBPP-SRM(PAS-Power Pruner)

## 1. Auto-Oiler, Gear Case, Sprocket, Tools(Sr/Nr 020635 and before)



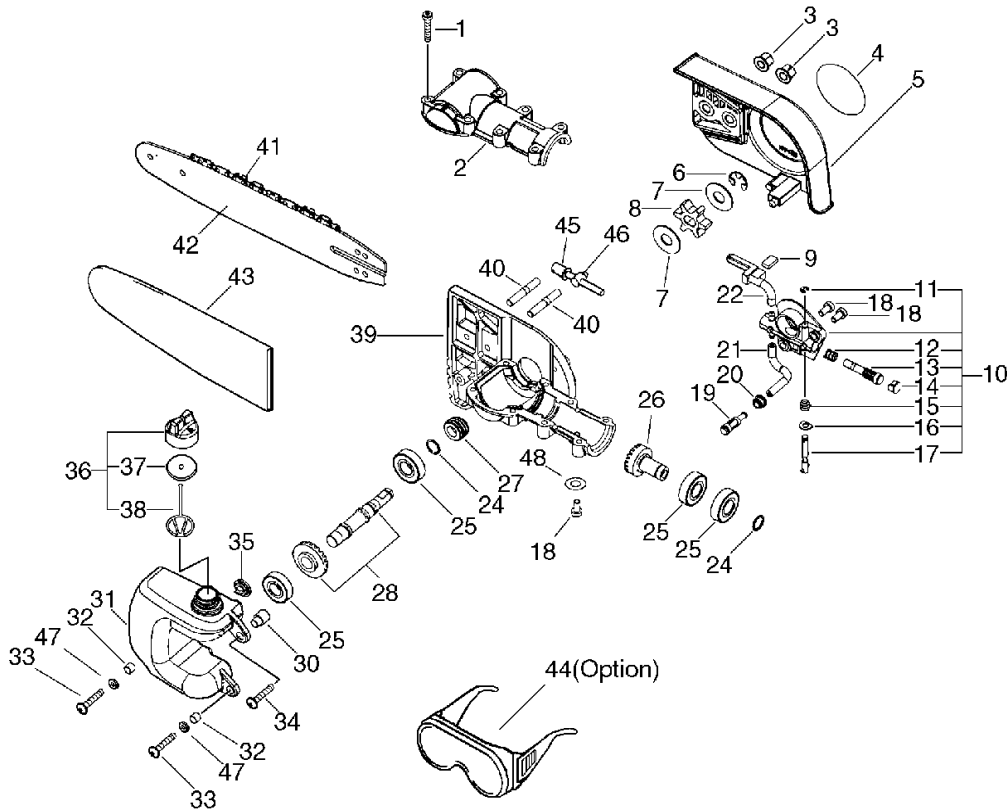
KEY	LV	PART NUMBER	Q'TY	DESCRIPTION	REMARKS	NOTE1	NOTE2
1		V253-000000	8	SCREW,5	5*25	Sus. by 900109-05025	
2		C531-000010	1	CASE,GEAR	25.5		
3		433019-03933	2	NUT, FLANGE 6	6		
4		890118-49130	1	LABEL, ECHO		Sus. by X502-000330	
5		C300-000000	1	GUARD,SPROCKET		Sus. by C300-000001	
5		C300-000001	1	GUARD,SPROCKET			
6		V583-000010	1	RING			
7		175014-39130	2	WASHER, CLUTCH	10.2*25*1.2	Sus. by 175014-39131	
8		C580-000070	1	SPROCKET,DRIVE			
9		437244-39130	1	PAD, FORM			
10		437002-39130	1	AUTO-OILER ASSY			
11	+	123127-15030	1	RING			
12	+	437019-38330	1	SPRING			
13	+	437024-37330	1	PLUNGER			
14	+	437062-37330	1	CAP, OIL PUMP			
15	+	437015-37330	1	SPRING			
16	+	437029-37330	1	WASHER			
17	+	437016-39130	1	NEEDLE, ADJUST			
18		V253-000010	3	SCREW,5	5*10	Sus. by 900109-05010	
19		436205-02832	1	STRAINER, OIL			
20		132115-01461	1	GROMMET			

⇒)



# SBPP-SRM(PAS-Power Pruner)

## 1. Auto-Oiler, Gear Case, Sprocket, Tools(Sr/Nr 020635 and before)



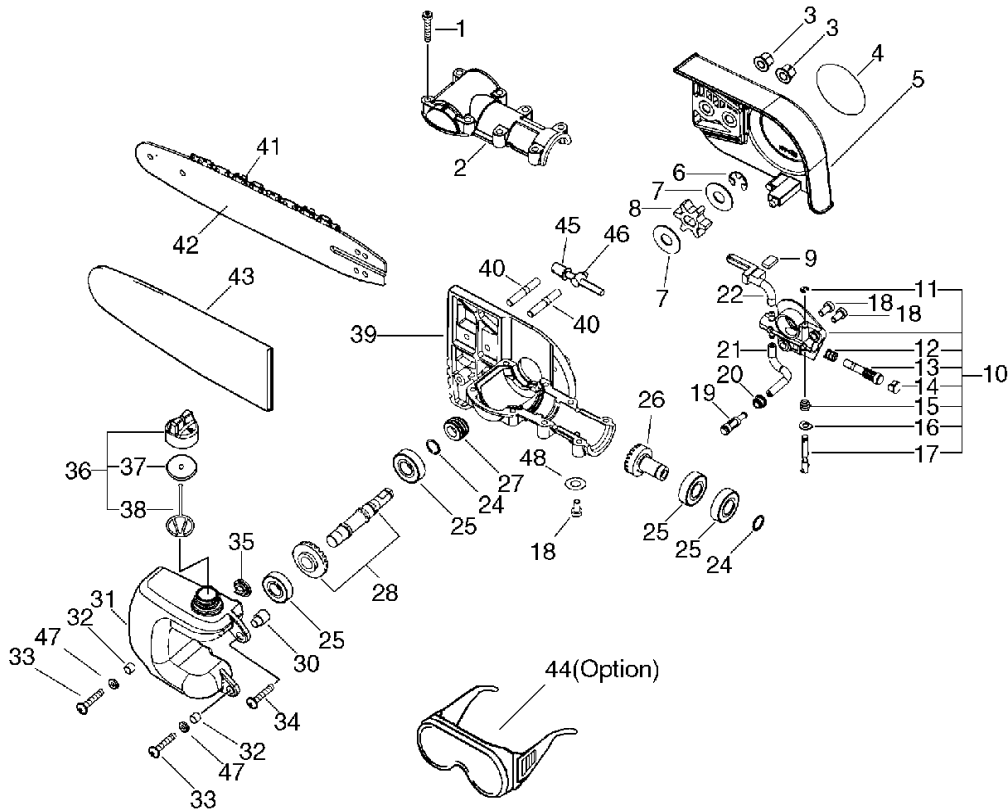
KEY	LV	PART NUMBER	Q'TY	DESCRIPTION	REMARKS	NOTE1	NOTE2
21		130110-12330	1	PIPE, IMPULSE	3*6*70L		
22		V470-000180	1	PIPE			
24		900706-00012	2	CIRCLIP 12	WR-12		
25		94042-06001	4	BEARING BALL	6001LLU		
26		V651-000030	1	GEAR,BEVEL		Sus. by V651-000031	
26		V651-000031	1	GEAR,BEVEL		Sus. by V651-000032	
27		437063-38330	1	GEAR, WORM			
28		C534-000020	1	SHAFT,GEAR		Sr/Nr 020635 and before	
29		610311-22060	1	GEAR		Sus. by 610311-22061	
29		610311-22061	1	GEAR		Sr/Nr 020635 and before Sus. by P021005391	
30		V354-000010	1	COLLAR,6			
31		C200-000000	1	TANK,OIL			
32		131045-28230	2	COLLAR			
33		V253-000030	2	SCREW,5	5*16	Sus. by 91109-05016	
34		V253-000020	1	SCREW,5	5*28	Sus. by 900109-05025	
35		131314-06320	1	VALVE, CHECK			

⇒)



# SBPP-SRM(PAS-Power Pruner)

## 1. Auto-Oiler, Gear Case, Sprocket, Tools(Sr/Nr 020635 and before)



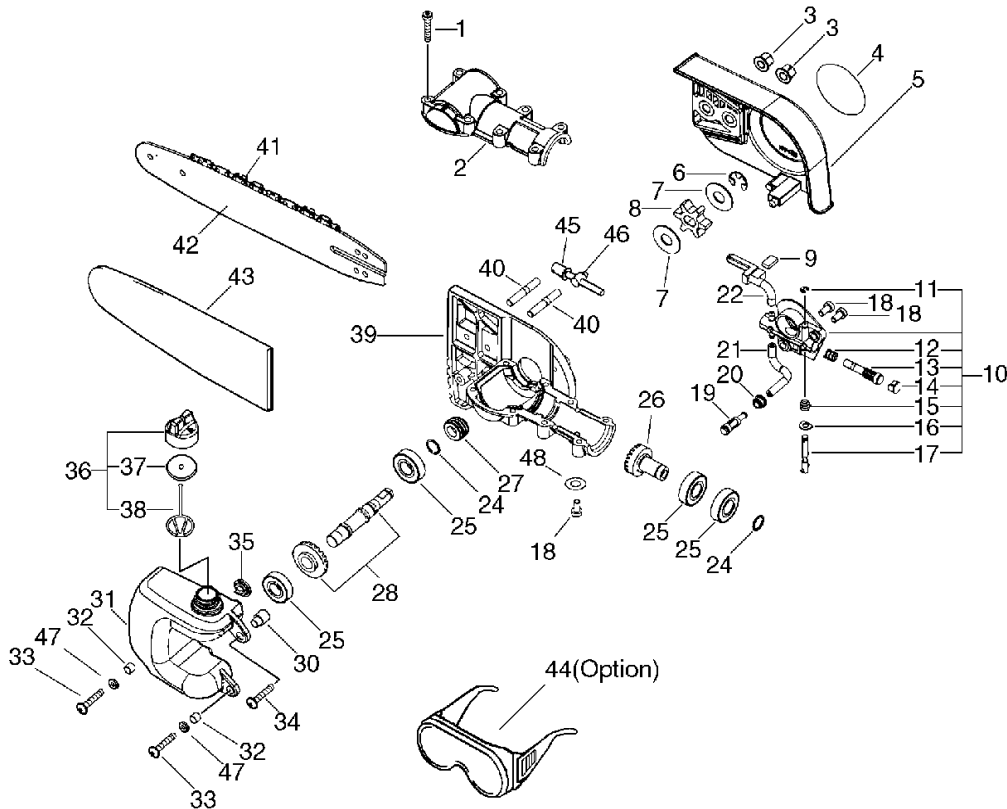
KEY	LV	PART NUMBER	Q'TY	DESCRIPTION	REMARKS	NOTE1	NOTE2
36		P021-000950	1	CAP ASSY, OIL		Sus. by P021-000951	
37	+	436012-37830	1	GASKET, CIRCULAR			
38	+	131051-19830	1	LINK	60L	Sus. by A365-000050	
39		C531-000020	1	CASE, GEAR	25.5		
40		V224-000000	2	BOLT, STUD 6			
41		431610-22460	1	CHAIN, SAW	91VS-39E		
41		X201-000000	1	CHAIN, SAW	91VG-39E		
42		X101-000000	1	BAR, GUIDE 25	25 INTENZ	Sus. by 430410-22460	
42		430410-22460	1	BAR, GUIDE	25 (PP)		
43		898513-22160	1	SCABBARD, GUIDE BAR		Sus. by X490-000060	
43		X490-000060	1	SCABBARD, CHAIN			
44		899580-68730	1	SAFETY GLASSES			
45		433016-39131	1	BOLT			
46		433014-03931	1	TENSIONER			

⇒)



## SBPP-SRM(PAS-Power Pruner)

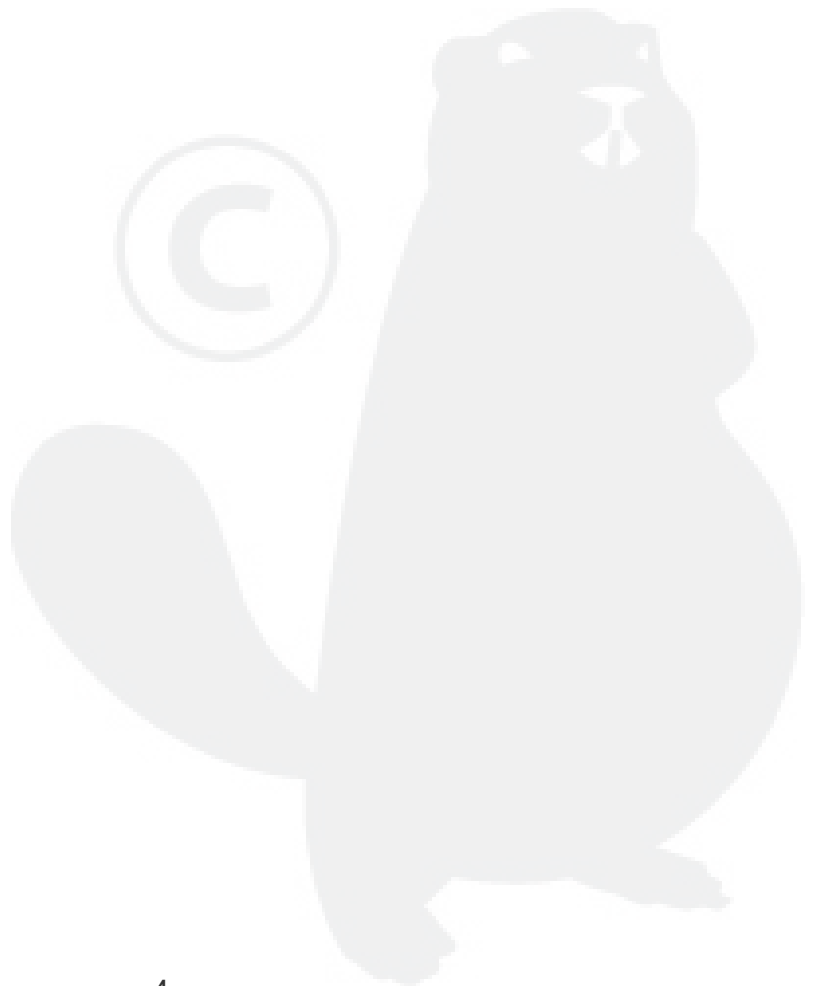
# 2. Auto-Oiler, Gear Case, Sprocket, Tools(Sr/Nr 020636 to 022574)



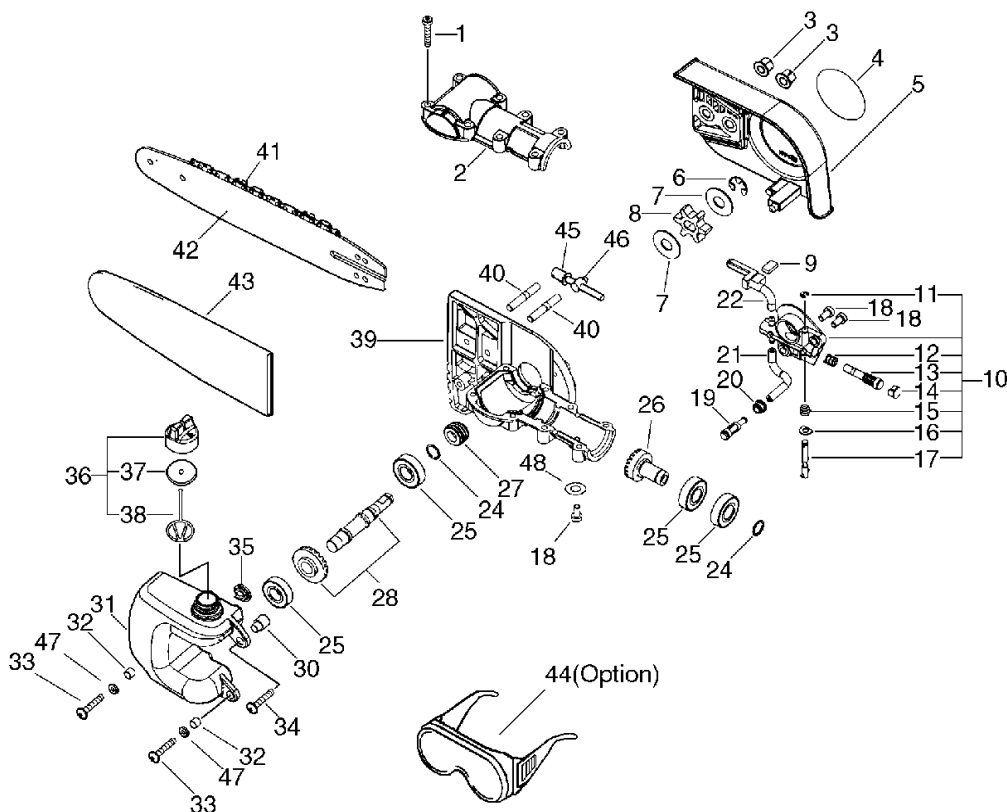
KEY	LV	PART NUMBER	Q'TY	DESCRIPTION	REMARKS	NOTE1	NOTE2
1		900109-05025	8	BOLT, H.S,H	5*25 SUS		
2		C531-000010	1	CASE,GEAR	25.5		
3		433019-03933	2	NUT, FLANGE 6	6		
4		890118-49130	1	LABEL, ECHO			
5		C300-000001	1	GUARD,SPROCKET			
6		V583-000010	1	RING			
7		175014-39131	2	WASHER, CLUTCH	10.2*24.5*1.2		
8		C580-000070	1	SPROCKET,DRIVE			
9		437244-39130	1	PAD, FORM			
10		437002-39130	1	AUTO-OILER ASSY			
11	+	123127-15030	1	RING			
12	+	437019-38330	1	SPRING			
13	+	437024-37330	1	PLUNGER			
14	+	437062-37330	1	CAP, OIL PUMP			
15	+	437015-37330	1	SPRING			
16	+	437029-37330	1	WASHER			
17	+	437016-39130	1	NEEDLE, ADJUST			
18		V253-000010	3	SCREW,5	5*10	Sus. by 900109-05010	
19		436205-02832	1	STRAINER, OIL			
20		132115-01461	1	GROMMET			
21		130110-12330	1	PIPE, IMPULSE	3*6*70L		
22		V470-000180	1	PIPE			
24		900706-00012	2	CIRCLIP 12	WR-12		
25		94042-06001	4	BEARING BALL	6001LLU		



)



2. Auto-Oiler, Gear Case, Sprocket, Tools(Sr/Nr 020636 to 022574)

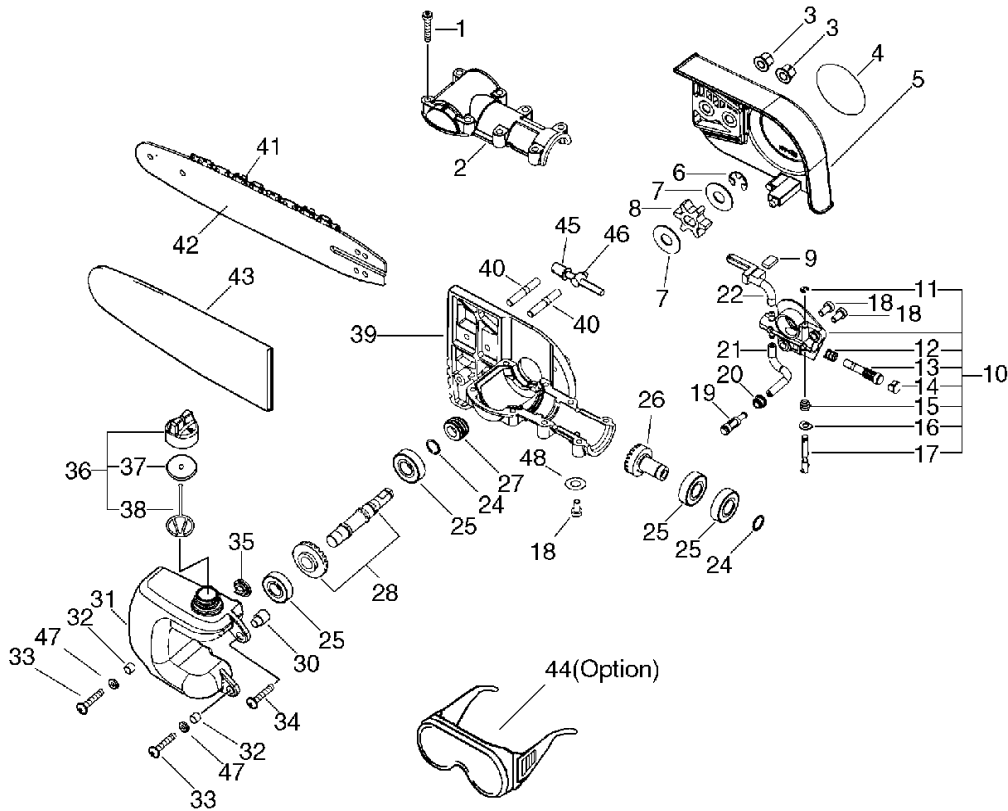


KEY	LV	PART NUMBER	Q'TY	DESCRIPTION	REMARKS	NOTE1	NOTE2
26		V651-000032	1	GEAR,BEVEL		Sr/Nr 020636 to 022574	
27		437063-38330	1	GEAR, WORM			
28		P021-005391	1	GEAR SET		Sr/Nr 020636 to 022574 Sus. by P021-005392	
29	+	V651-000110	1	GEAR,BEVEL		Sus. by V651-000111	
29	+	V651-000111	1	GEAR,BEVEL		Sr/Nr 020636 to 022574 Sus. by P021-005392	
30		V354-000010	1	COLLAR,6			
31		C200-000000	1	TANK,OIL			
32		131045-28230	2	COLLAR			
33		V253-000030	2	SCREW,5	5*16	Sus. by 91109-05016	
34		V253-000020	1	SCREW,5	5*28	Sus. by 900109-05025	
35		131314-06320	1	VALVE, CHECK			
36		P021-000950	1	CAP ASSY, OIL			
36		P021-000951	1	CAP ASSY, OIL			
37	+	436012-37830	1	GASKET, CIRCULAR			
38	+	131051-19830	1	LINK	60L		
38	+	A365-000050	1	CONNECTOR,CAP			

)



2. Auto-Oiler, Gear Case, Sprocket, Tools(Sr/Nr 020636 to 022574)

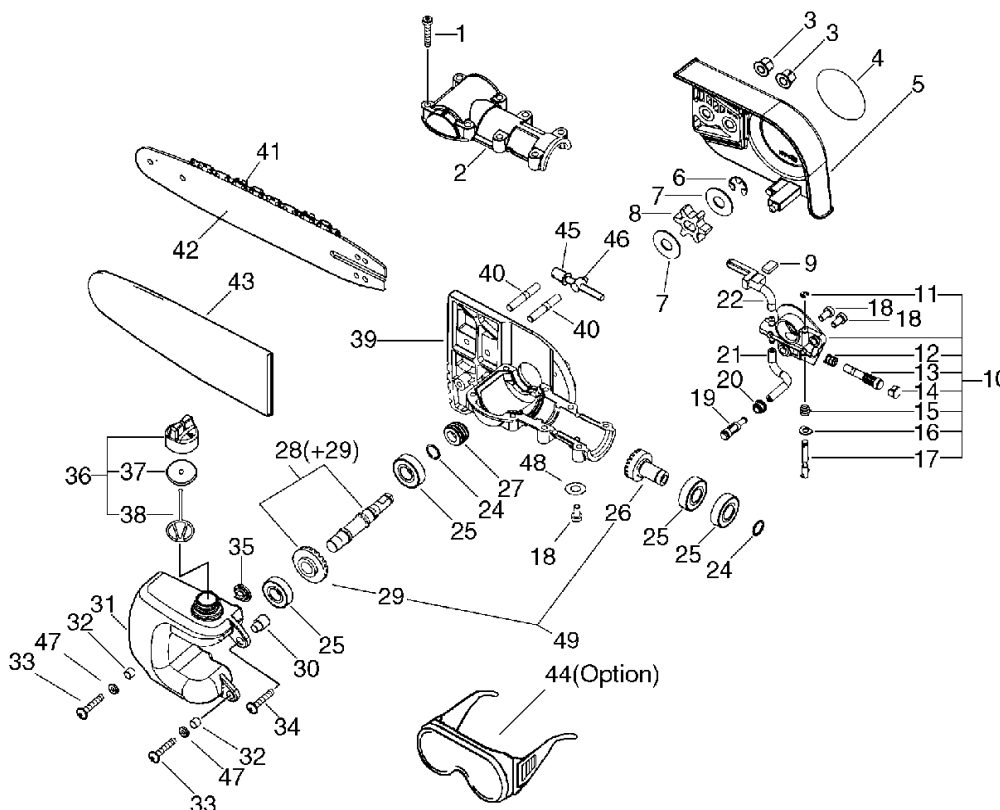


KEY	LV	PART NUMBER	Q'TY	DESCRIPTION	REMARKS	NOTE1	NOTE2
39		C531-000020	1	CASE,GEAR	25.5		
40		V224-000000	2	BOLT,STUD 6			
41		X201-000000	1	CHAIN,SAW	91VG-39E		
42		430410-22460	1	BAR, GUIDE	25 (PP)		
43		X490-000060	1	SCABBARD,CHAIN			
45		433016-39131	1	BOLT			
46		433014-03931	1	TENSIONER			

)



3. Auto-Oiler, Gear Case, Sprocket, Tools(Sr/Nr 022575 to 024450)

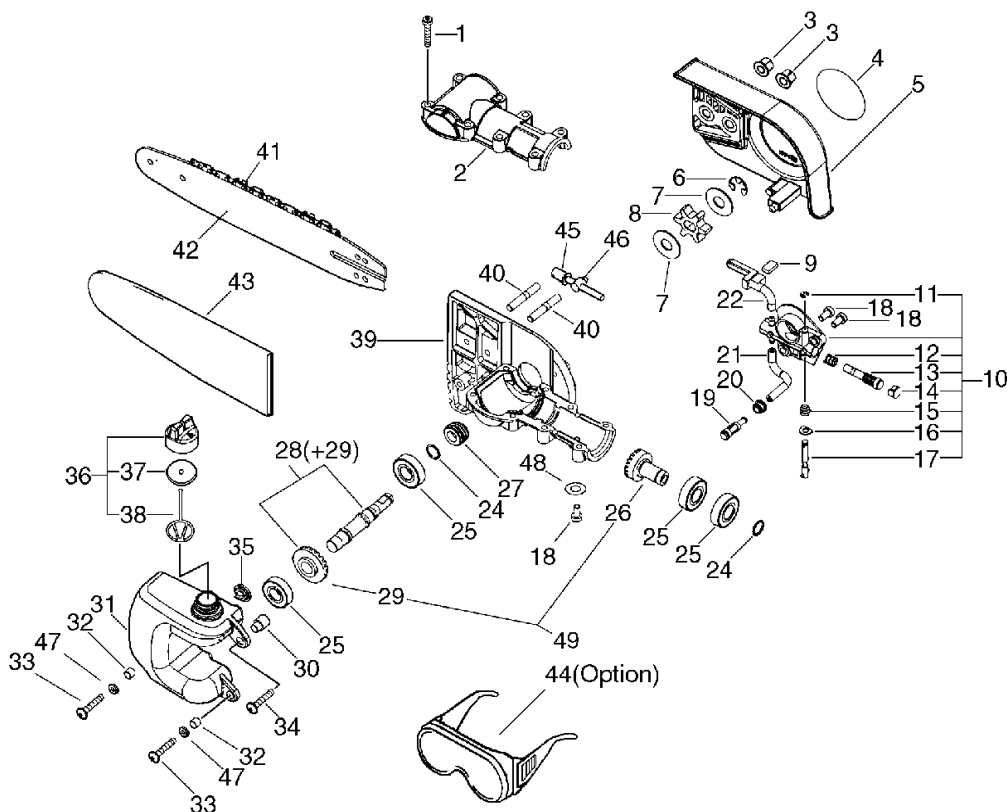


KEY	LV	PART NUMBER	Q'TY	DESCRIPTION	REMARKS	NOTE1	NOTE2
1		V253-000000	8	SCREW,5	5*25	Sus. by 900109-05025	
2		C531-000010	1	CASE,GEAR	25.5		
3		433019-03933	2	NUT, FLANGE 6	6		
4		890118-49130	1	LABEL, ECHO			
5		C300-000001	1	GUARD,SPROCKET			
6		V583-000010	1	RING			
7		175014-39131	2	WASHER, CLUTCH	10.2*24.5*1.2		
8		C580-000070	1	SPROCKET,DRIVE			
9		437244-39130	1	PAD, FORM			
10		437002-39130	1	AUTO-OILER ASSY			
11	+	123127-15030	1	RING			
12	+	437019-38330	1	SPRING			
13	+	437024-37330	1	PLUNGER			
14	+	437062-37330	1	CAP, OIL PUMP			
15	+	437015-37330	1	SPRING			
16	+	437029-37330	1	WASHER			
17	+	437016-39130	1	NEEDLE, ADJUST			
18		900109-05010	3	BOLT, H.S.	5*10		
19		436205-02832	1	STRAINER, OIL			
20		132115-01461	1	GROMMET			
21		130110-12330	1	PIPE, IMPULSE	3*6*70L		
22		V470-000180	1	PIPE			
24		900706-00012	2	CIRCLIP 12	WR-12		
25		94042-06001	4	BEARING BALL	6001LLU		

)



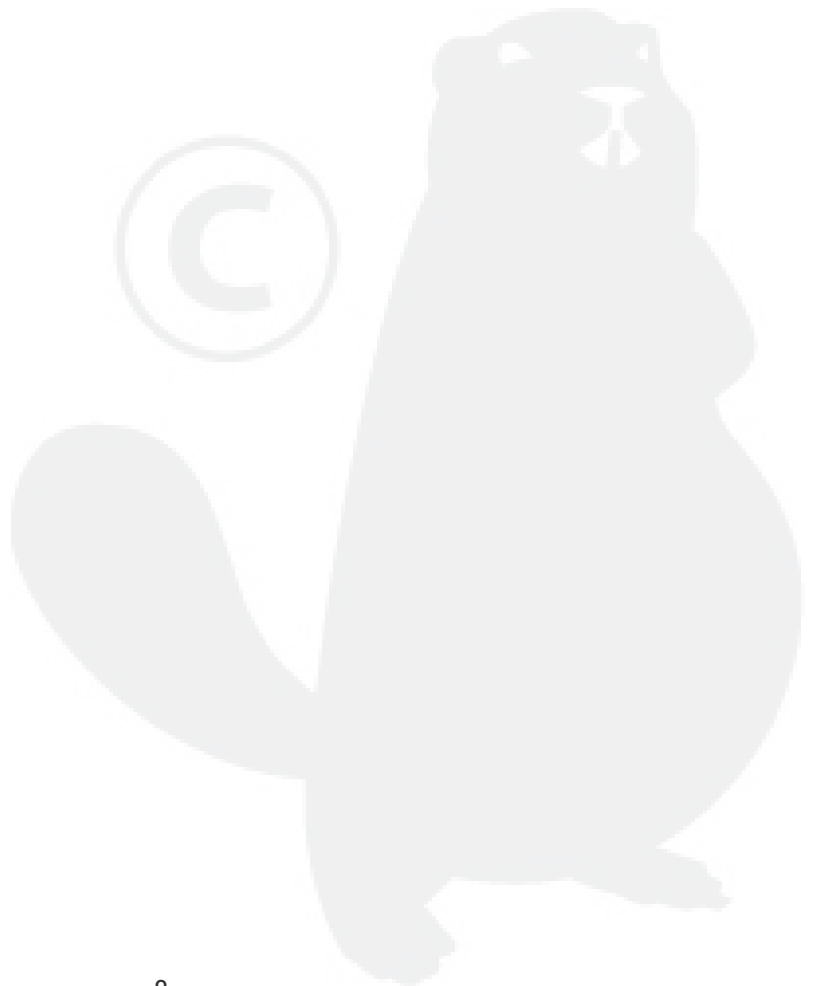
3. Auto-Oiler, Gear Case, Sprocket, Tools(Sr/Nr 022575 to 024450)



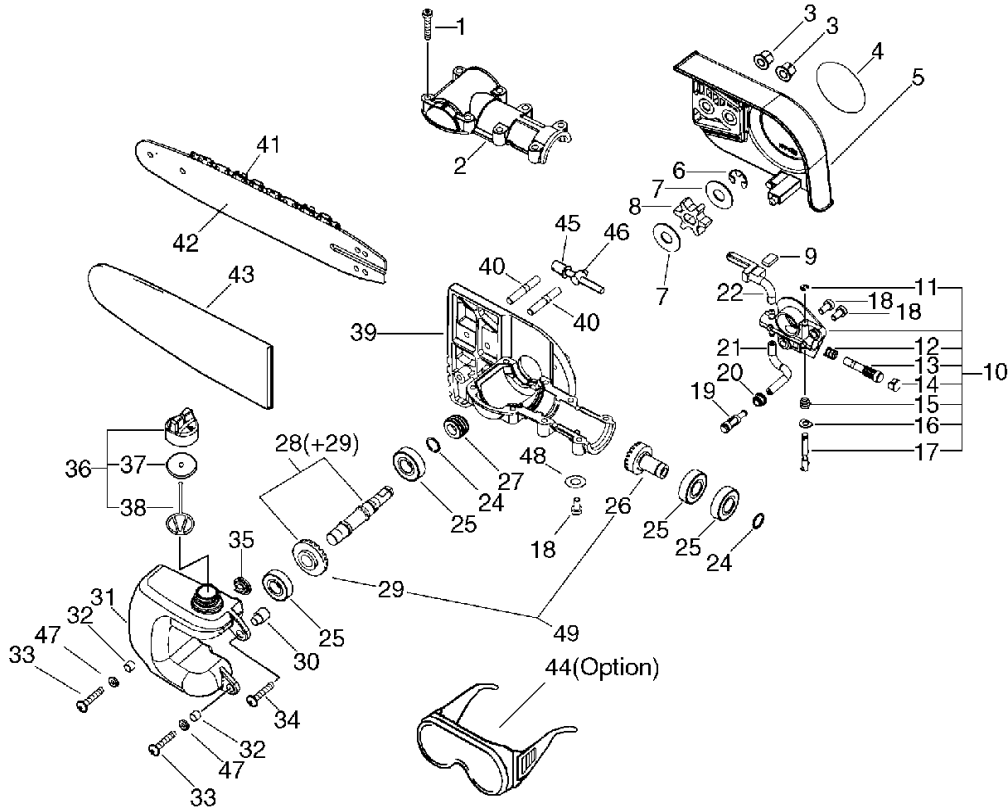
KEY	LV	PART NUMBER	Q'TY	DESCRIPTION	REMARKS	NOTE1	NOTE2
27		437063-38330	1	GEAR, WORM			
28		P021-005392	1	GEAR SET		Sr/Nr 022575 to 024450	
30		V354-000010	1	COLLAR,6			
31		C200-000000	1	TANK,OIL			
32		131045-28230	2	COLLAR			
33		91109-05016	1	BOLT	CB 5*16		
34		900109-05025	1	BOLT, H.S,H	5*25 SUS		
35		131314-06320	1	VALVE, CHECK			
36		P021-000951	1	CAP ASSY, OIL			
37	+	436012-37830	1	GASKET, CIRCULAR			
38	+	A365-000050	1	CONNECTOR,CAP			
39		C051-000110	1	CASE,GEAR	PPF GC ASSEMBLY		
40		V224-000000	2	BOLT,STUD 6			
41		X201-000000	1	CHAIN,SAW	91VG-39E		
42		430410-22460	1	BAR, GUIDE	25 (PP)		
43		X490-000060	1	SCABBARD,CHAIN			
45		433016-39131	1	BOLT			
46		433014-03931	1	TENSIONER			
47		900603-00005	3	WASHER 5	5.5*12*0.8		
48		900600-00005	1	WASHER 5	5		
49		P021-009730	1	GEAR,BEVEL SET		Sr/Nr 022575 to 024450 Sus. by P021-009731	



)



3. Auto-Oiler, Gear Case, Sprocket, Tools(Sr/Nr 022575 to 024450)

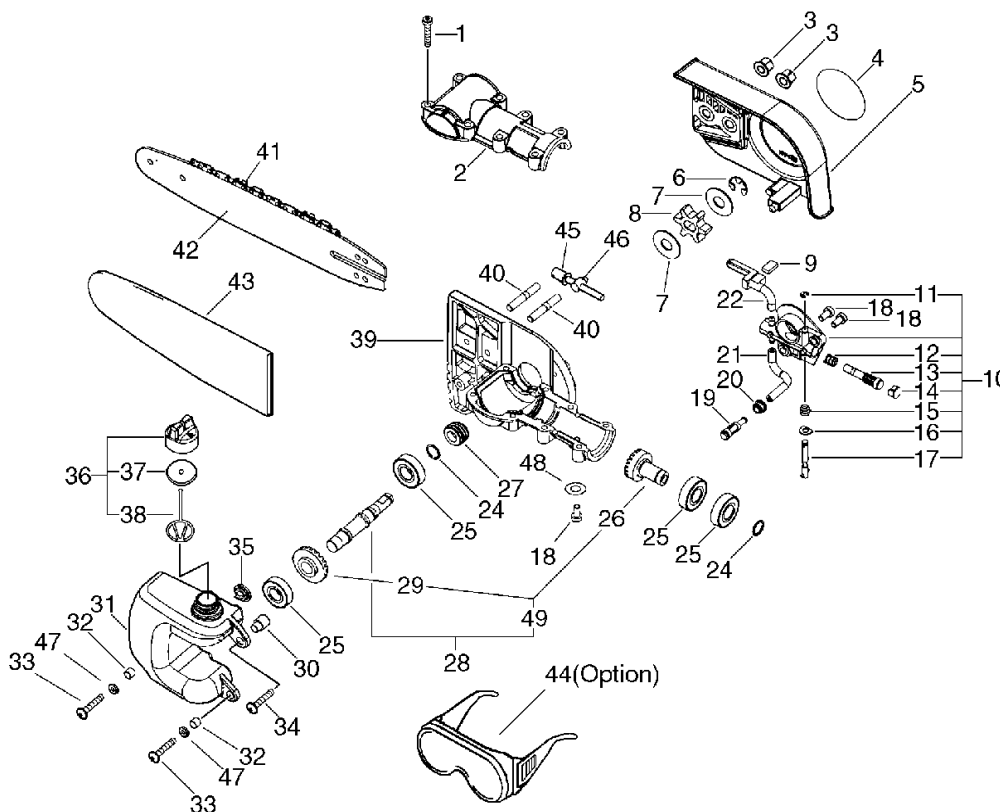


KEY	LV	PART NUMBER	Q'TY	DESCRIPTION	REMARKS	NOTE1	NOTE2
26	+	V651-000230	1	GEAR,BEVEL	MG 80.2310.001	Sr/Nr 022575 to 024450	
29	+	V651-000200	1	GEAR,BEVEL	MG 0600.2259	Sr/Nr 022575 to 024450 Sus. by V651-000201	

)

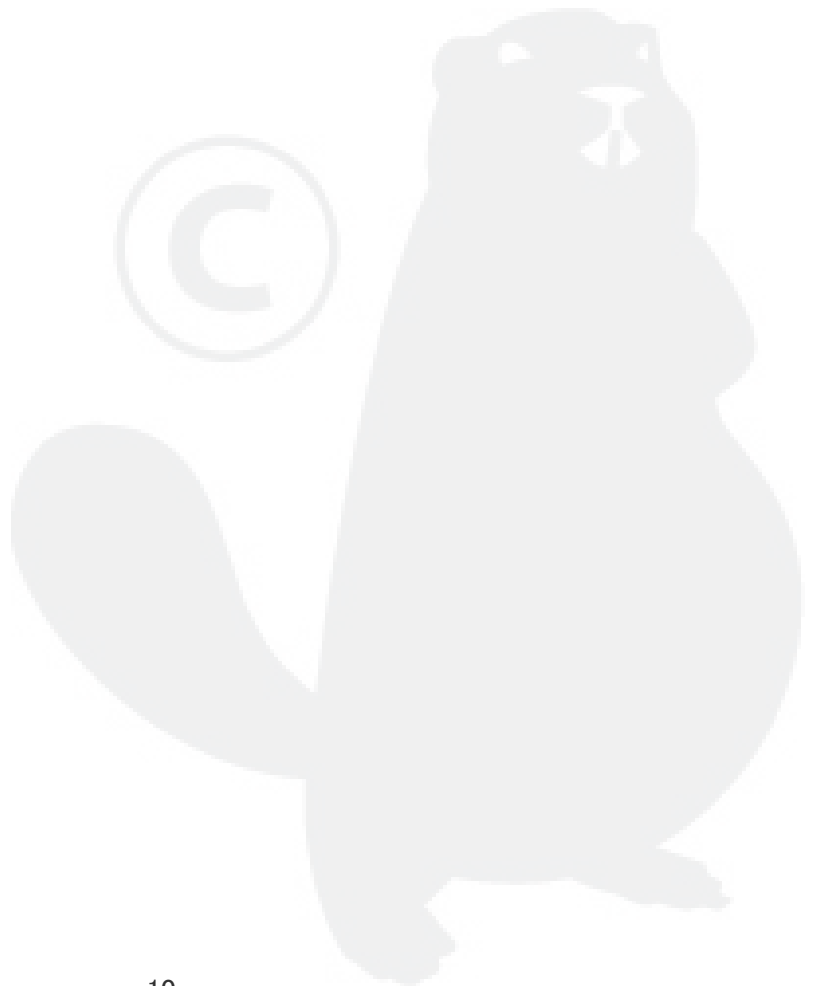


4. Auto-Oiler, Gear Case, Sprocket, Tools(Sr/Nr 35001001 and afte

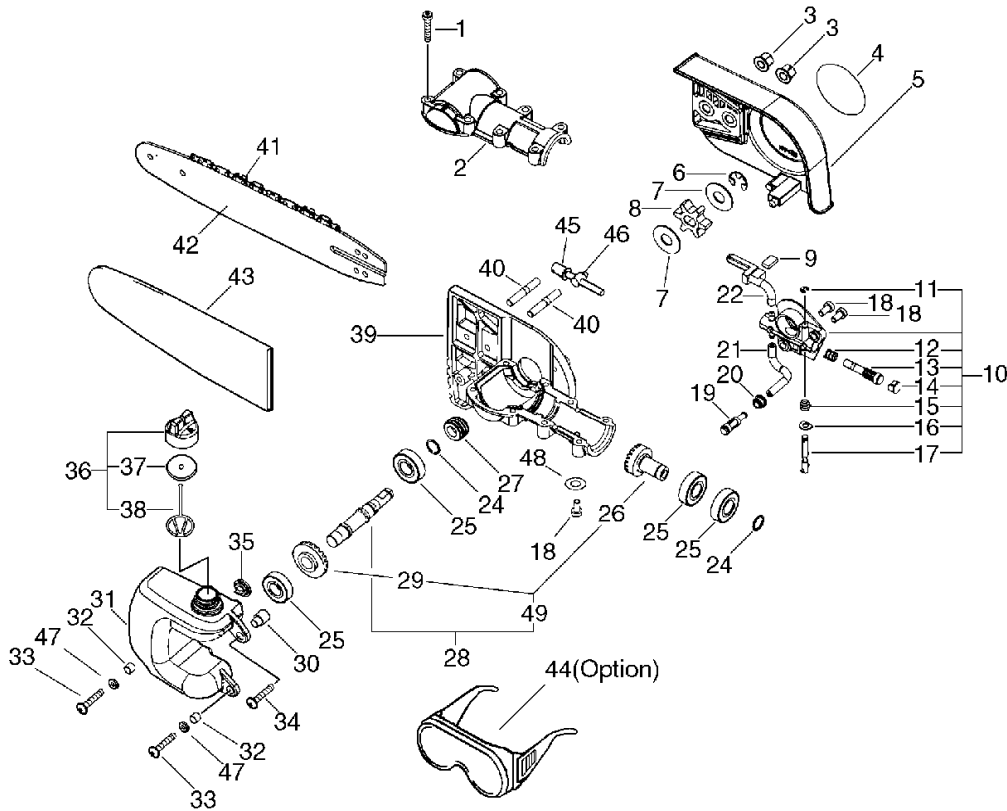


KEY	LV	PART NUMBER	Q'TY	DESCRIPTION	REMARKS	NOTE1	NOTE2
1		V253-000000	8	SCREW,5	5*25	Sus. by 900109-05025	
2		C531-000010	1	CASE,GEAR	25.5		
3		433019-03933	2	NUT, FLANGE 6	6		
4		890118-49130	1	LABEL, ECHO			
5		C300-000001	1	GUARD,SPROCKET			
6		V583-000010	1	RING			
7		175014-39131	2	WASHER, CLUTCH	10.2*24.5*1.2		
8		C580-000070	1	SPROCKET,DRIVE			
9		437244-39130	1	PAD, FORM			
10		437002-39130	1	AUTO-OILER ASSY			
11	+	123127-15030	1	RING			
12	+	437019-38330	1	SPRING			
13	+	437024-37330	1	PLUNGER			
14	+	437062-37330	1	CAP, OIL PUMP			
15	+	437015-37330	1	SPRING			
16	+	437029-37330	1	WASHER			
17	+	437016-39130	1	NEEDLE, ADJUST			
18		900109-05010	3	BOLT, H.S.	5*10		
19		436205-02832	1	STRAINER, OIL			
20		132115-01461	1	GROMMET			
21		130110-12330	1	PIPE, IMPULSE	3*6*70L		
22		V470-000180	1	PIPE			
24		900706-00012	2	CIRCLIP 12	WR-12		
25		94042-06001	4	BEARING BALL	6001LLU		

r)



4. Auto-Oiler, Gear Case, Sprocket, Tools(Sr/Nr 35001001 and afte

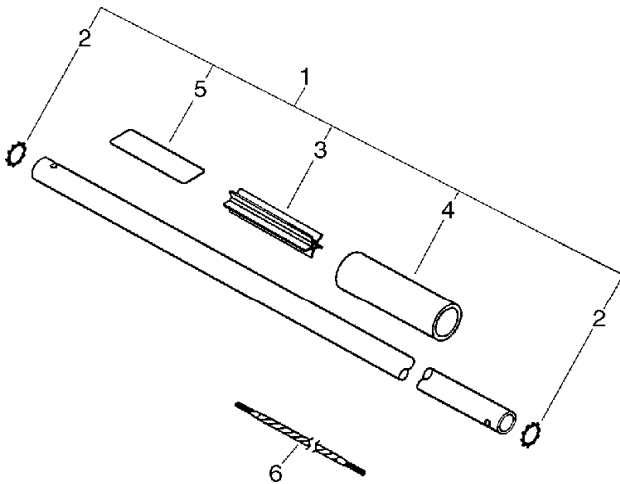


KEY	LV	PART NUMBER	Q'TY	DESCRIPTION	REMARKS	NOTE1	NOTE2
27		437063-38330	1	GEAR, WORM			
28		P021-013700	1	GEAR, SHAFT KIT			
49	+	P021-009731	1	GEAR,BEVEL SET			
26	++	V651-000230	1	GEAR,BEVEL	MG 80.2310.001		
29	++	V651-000201	1	GEAR,BEVEL	MG 0600.2259		
30		V354-000010	1	COLLAR,6			
31		C200-000000	1	TANK,OIL			
32		131045-28230	2	COLLAR			
33		91109-05016	1	BOLT	CB 5*16		
34		900109-05025	1	BOLT, H.S,H	5*25 SUS		
35		131314-06320	1	VALVE, CHECK			
36		P021-000951	1	CAP ASSY, OIL			
37	+	436012-37830	1	GASKET, CIRCULAR			
38	+	A365-000050	1	CONNECTOR,CAP			
39		C051-000110	1	CASE,GEAR	PPF GC ASSEMBLY		
40		V224-000000	2	BOLT,STUD 6			
41		X201-000000	1	CHAIN,SAW	91VG-39E		
42		430410-22460	1	BAR, GUIDE	25 (PP)		
43		X490-000060	1	SCABBARD,CHAIN			
45		433016-39131	1	BOLT			
46		433014-03931	1	TENSIONER			
47		900603-00005	3	WASHER 5	5.5*12*0.8		
48		900600-00005	1	WASHER 5	5		

r)



5. Main Pipe



KEY	LV	PART NUMBER	Q'TY	DESCRIPTION	REMARKS	NOTE1	NOTE2
1		610206-24561	1	PIPE, MAIN		Sus. by 610206-24562	
1		610206-24562	1	PIPE, MAIN			
2	+	900038-00100	1	WASHER,EXTERNAL			
2	+	900038-00100	2	WASHER,EXTERNAL			
3	+	610217-24560	1	LINER, FLEXPBLE			
4	+	351012-21560	1	GRIP, HANDLE			
5	+	890160-22660	1	LABEL, CAUTION		Sus. by 890160-22661	
6		610013-24560	1	SHAFT, FLEXIBLE		Sus. by 610013-24561	



**Index**

<b>Patrs Number</b>	<b>Key No.</b>	<b>Patrs Number</b>	<b>Key No.</b>	<b>Patrs Number</b>	<b>Key No.</b>
123127-15030	1 - 11	436205-02832	2 - 19	890160-22660	5 - 5
123127-15030	2 - 11	436205-02832	3 - 19	898513-22160	1 - 43
123127-15030	3 - 11	436205-02832	4 - 19	899580-68730	1 - 44
123127-15030	4 - 11	437002-39130	1 - 10	900038-00100	5 - 2
130110-12330	1 - 21	437002-39130	2 - 10	900038-00100	5 - 2
130110-12330	2 - 21	437002-39130	3 - 10	900109-05010	3 - 18
130110-12330	3 - 21	437002-39130	4 - 10	900109-05010	4 - 18
130110-12330	4 - 21	437015-37330	1 - 15	900109-05025	2 - 1
131045-28230	1 - 32	437015-37330	2 - 15	900109-05025	3 - 34
131045-28230	2 - 32	437015-37330	3 - 15	900109-05025	4 - 34
131045-28230	3 - 32	437015-37330	4 - 15	900600-00005	3 - 48
131045-28230	4 - 32	437016-39130	1 - 17	900600-00005	4 - 48
131051-19830	1 - 38	437016-39130	2 - 17	900603-00005	3 - 47
131051-19830	2 - 38	437016-39130	3 - 17	900603-00005	4 - 47
131314-06320	1 - 35	437016-39130	4 - 17	900706-00012	1 - 24
131314-06320	2 - 35	437019-38330	1 - 12	900706-00012	2 - 24
131314-06320	3 - 35	437019-38330	2 - 12	900706-00012	3 - 24
131314-06320	4 - 35	437019-38330	3 - 12	900706-00012	4 - 24
132115-01461	1 - 20	437019-38330	4 - 12	91109-05016	3 - 33
132115-01461	2 - 20	437024-37330	1 - 13	91109-05016	4 - 33
132115-01461	3 - 20	437024-37330	2 - 13	94042-06001	1 - 25
132115-01461	4 - 20	437024-37330	3 - 13	94042-06001	2 - 25
175014-39130	1 - 7	437024-37330	4 - 13	94042-06001	3 - 25
175014-39131	2 - 7	437029-37330	1 - 16	94042-06001	4 - 25
175014-39131	3 - 7	437029-37330	2 - 16	A365-000050	2 - 38
175014-39131	4 - 7	437029-37330	3 - 16	A365-000050	3 - 38
351012-21560	5 - 4	437029-37330	4 - 16	A365-000050	4 - 38
430410-22460	1 - 42	437062-37330	1 - 14	C051-000110	3 - 39
430410-22460	2 - 42	437062-37330	2 - 14	C051-000110	4 - 39
430410-22460	3 - 42	437062-37330	3 - 14	C200-000000	1 - 31
430410-22460	4 - 42	437062-37330	4 - 14	C200-000000	2 - 31
431610-22460	1 - 41	437063-38330	1 - 27	C200-000000	3 - 31
433014-03931	1 - 46	437063-38330	2 - 27	C200-000000	4 - 31
433014-03931	2 - 46	437063-38330	3 - 27	C300-000000	1 - 5
433014-03931	3 - 46	437063-38330	4 - 27	C300-000001	1 - 5
433014-03931	4 - 46	437244-39130	1 - 9	C300-000001	2 - 5
433016-39131	1 - 45	437244-39130	2 - 9	C300-000001	3 - 5
433016-39131	2 - 45	437244-39130	3 - 9	C300-000001	4 - 5
433016-39131	3 - 45	437244-39130	4 - 9	C531-000010	1 - 2
433016-39131	4 - 45	610013-24560	5 - 6	C531-000010	2 - 2
433019-03933	1 - 3	610206-24561	5 - 1	C531-000010	3 - 2
433019-03933	2 - 3	610206-24562	5 - 1	C531-000010	4 - 2
433019-03933	3 - 3	610217-24560	5 - 3	C531-000020	1 - 39
433019-03933	4 - 3	610311-22060	1 - 29	C531-000020	2 - 39
436012-37830	1 - 37	610311-22061	1 - 29	C534-000020	1 - 28
436012-37830	2 - 37	890118-49130	1 - 4	C580-000070	1 - 8
436012-37830	3 - 37	890118-49130	2 - 4	C580-000070	2 - 8
436012-37830	4 - 37	890118-49130	3 - 4	C580-000070	3 - 8
436205-02832	1 - 19	890118-49130	4 - 4	C580-000070	4 - 8

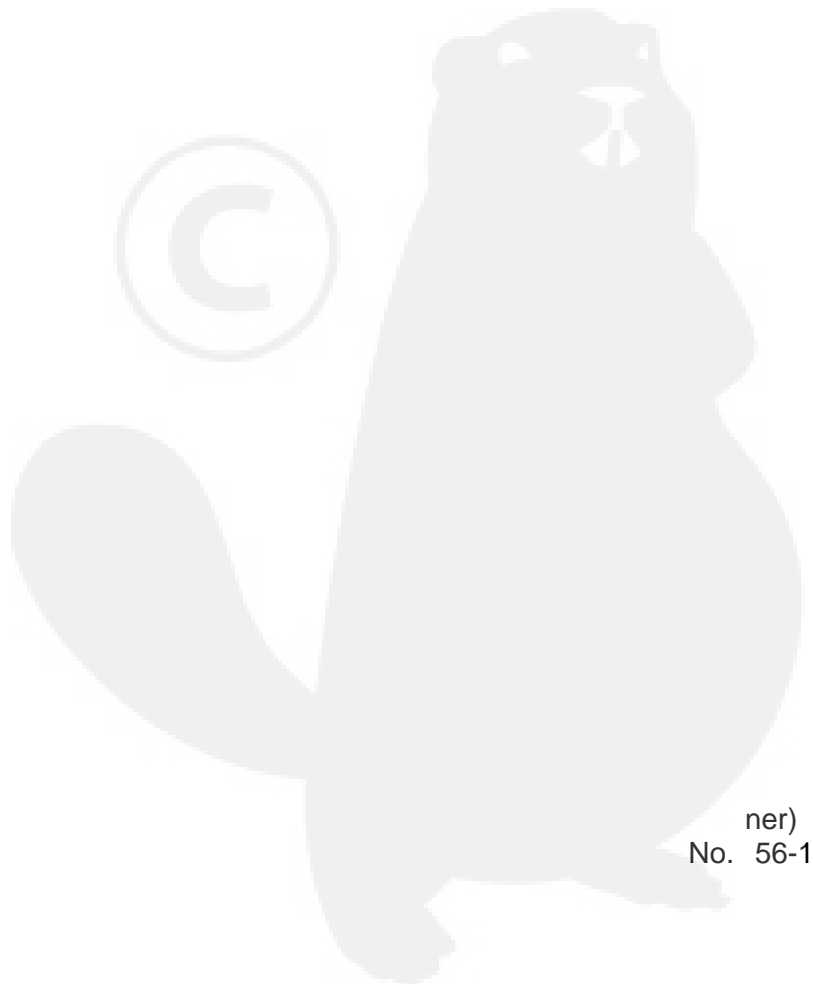
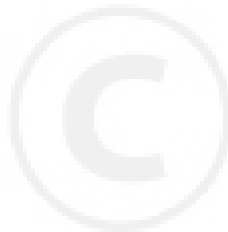
**Index**

<b>Patrs Number</b>	<b>Key No.</b>	<b>Patrs Number</b>	<b>Key No.</b>	<b>Patrs Number</b>	<b>Key No.</b>
P021-000950	1 - 36	X490-000060	1 - 43		
P021-000950	2 - 36	X490-000060	2 - 43		
P021-000951	2 - 36	X490-000060	3 - 43		
P021-000951	3 - 36	X490-000060	4 - 43		
P021-000951	4 - 36				
P021-005391	2 - 28				
P021-005392	3 - 28				
P021-009730	3 - 49				
P021-009731	4 - 49				
P021-013700	4 - 28				
V224-000000	1 - 40				
V224-000000	2 - 40				
V224-000000	3 - 40				
V224-000000	4 - 40				
V253-000000	1 - 1				
V253-000000	3 - 1				
V253-000000	4 - 1				
V253-000010	1 - 18				
V253-000010	2 - 18				
V253-000020	1 - 34				
V253-000020	2 - 34				
V253-000030	1 - 33				
V253-000030	2 - 33				
V354-000010	1 - 30				
V354-000010	2 - 30				
V354-000010	3 - 30				
V354-000010	4 - 30				
V470-000180	1 - 22				
V470-000180	2 - 22				
V470-000180	3 - 22				
V470-000180	4 - 22				
V583-000010	1 - 6				
V583-000010	2 - 6				
V583-000010	3 - 6				
V583-000010	4 - 6				
V651-000030	1 - 26				
V651-000031	1 - 26				
V651-000032	2 - 26				
V651-000110	2 - 29				
V651-000111	2 - 29				
V651-000200	3 - 29				
V651-000201	4 - 29				
V651-000230	3 - 26				
V651-000230	4 - 26				
X101-000000	1 - 42				
X201-000000	1 - 41				
X201-000000	2 - 41				
X201-000000	3 - 41				
X201-000000	4 - 41				

# YAMABIKO CORPORATION

7-2 SUEHIROCHO 1-CHOME, OHME, TOKYO 198-8760, JAPAN  
PHONE: 81-428-32-6118. FAX: 81-428-32-6145.

**ECHO**®



ner)  
No. 56-133