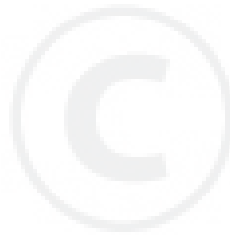




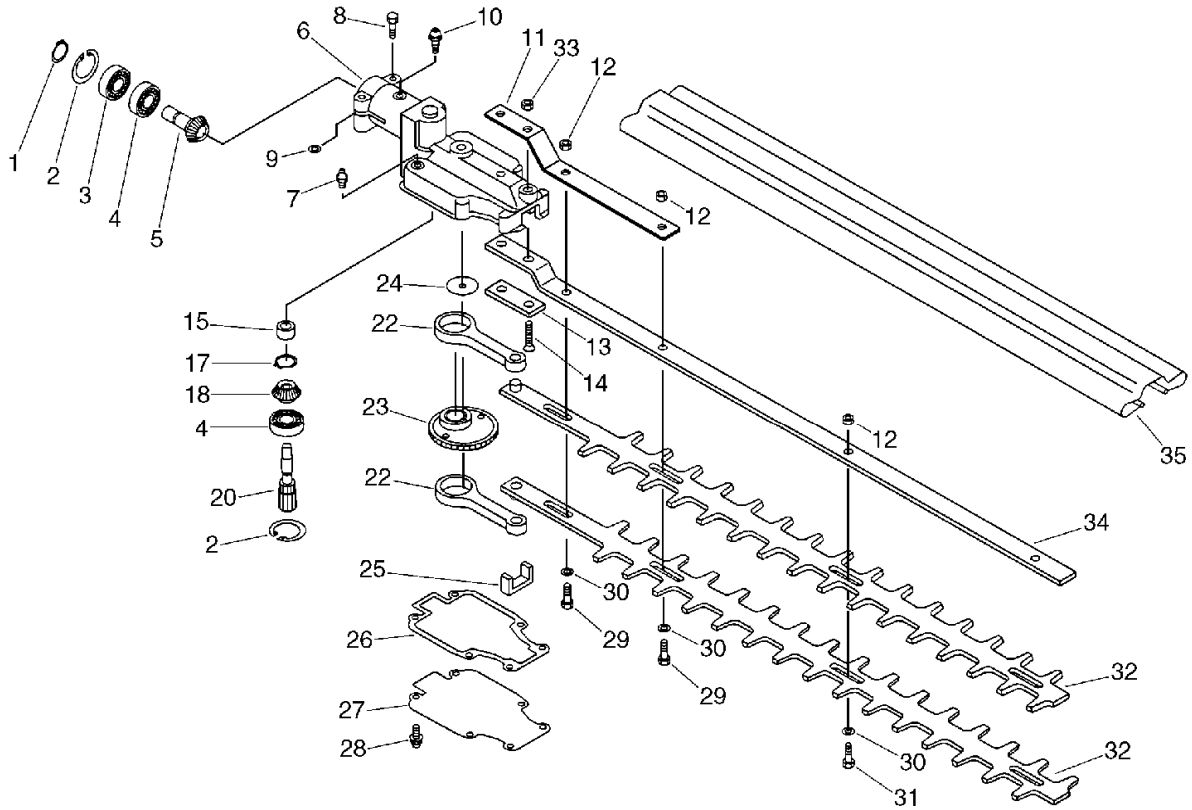
# **PARTS CATALOG**

## **PAS ATTACHMENT SBSHC-SRM(PAS-Hedge Trimmer)**



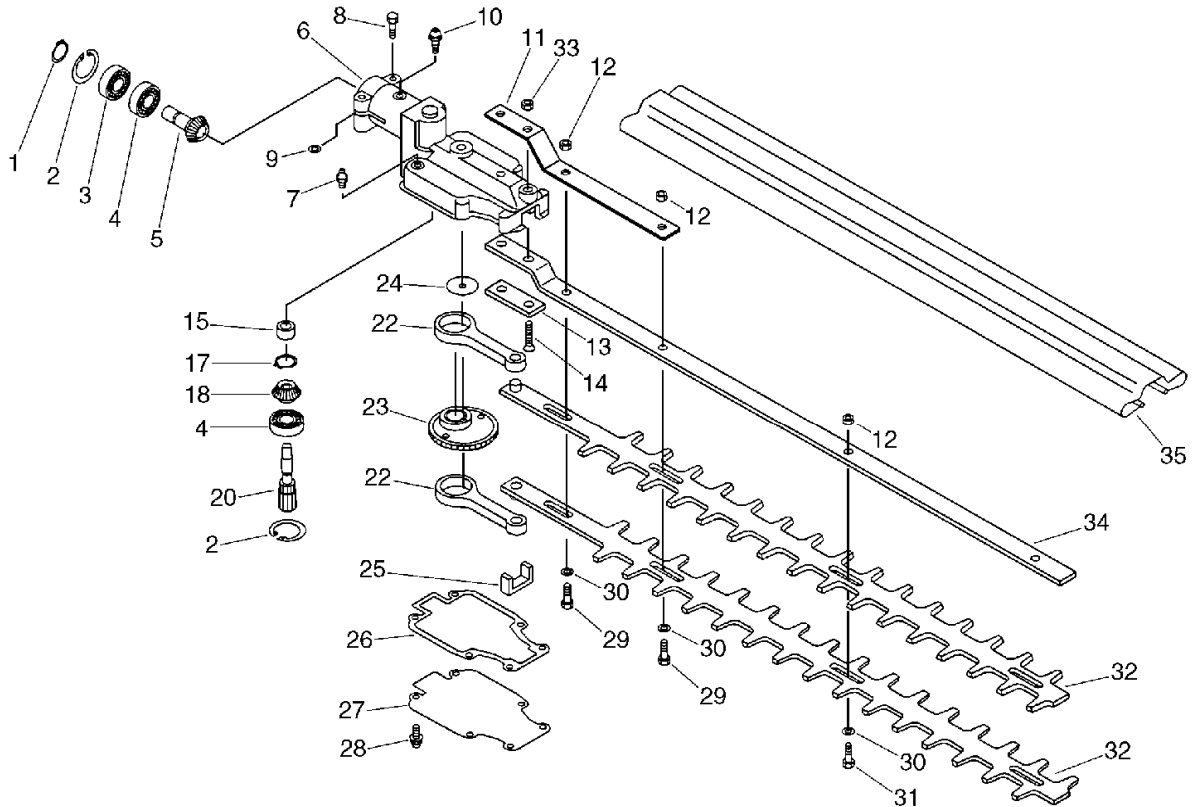
SBSHC-SRM(PAS-Hedge Trimmer)

1. Gear Case, Cutter



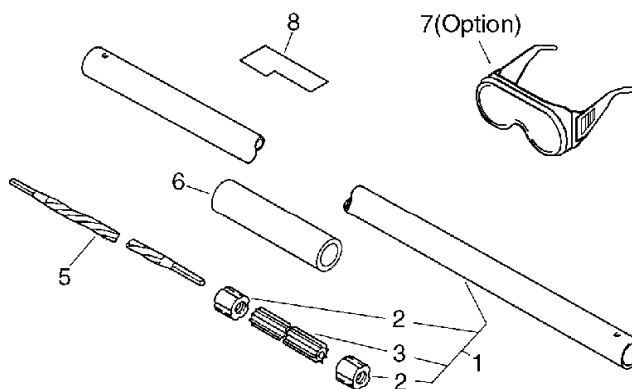
KEY	LV	PART NUMBER	Q'TY	DESCRIPTION	REMARKS	NOTE1	NOTE2
1		900706-00012	1	CIRCLIP 12	WR-12		
2		610335-21460	2	RING, RETAINING			
3		900858-06901	1	BEARING, BALL BB6901Z	BB6901Z		
4		900855-06901	2	BEARING, BALL 6901	6901		
5		V651-000050	1	GEAR, BEVEL	MG#0406001898	Sus. by P021-009430	
5		V651-000180	1	GEAR, BEVEL	MG#07.2310.008	Sus. by P021-009430	
6		P021-000110	1	CASE, GEAR		Sus. by P021-000111	
6		P021-000111	1	CASE, GEAR			
7		880110-54230	1	NIPPLE, GREASE			
8		900162-05028	2	BOLT, H.S. 5*28	5*28 W,SW		
9		610239-04130	2	WASHER, SHIM			
10		900162-05012	1	BOLT, H.S. 5*12	5*12 W,SW		
11		699120-21561	1	PLATE, CUTTER			
12		433022-06460	4	NUT			
13		610440-04560	1	HOLDER, FRAME			
14		900212-06035	2	SCREW 6*35	+SF6*35		
15		604221-21460	1	BUSHING			
16		V060-000000	1	GEAR, SPUR			
17		610335-21560	1	RING, RETAINING			
18		V651-000060	1	GEAR, BEVEL	MG#0600.1897	Sus. by P021-009430	
18		V651-000190	1	GEAR, BEVEL	MG#0600.2253	Sus. by P021-009430	

1. Gear Case, Cutter



KEY	LV	PART NUMBER	Q'TY	DESCRIPTION	REMARKS	NOTE1	NOTE2
20		610312-21460	1	GEAR			
22		610330-04560	2	ROD, CONNECTING		Sus. by C532-000120	
22		610330-04561	2	ROD, CONNECTING		Sus. by C532-000120	
22		C532-000120	2	ROD, CONNECTING			
23		610312-04560	1	GEAR			
24		610350-04560	1	WASHER			
25		610425-04560	1	SEAL			
26		610414-21460	1	GASKET, GEAR CASE			
27		610411-21460	1	LID, GEAR CASE			
28		900162-04012	6	BOLT, H.S. 4*12	4*12 W,SW		
29		699115-21460	2	BOLT			
30		699118-04560	4	WASHER			
31		699113-06560	2	BOLT 6			
32		X411-000050	2	CUTTER	615L	Sus. by X411-000400	
32		X411-000400	2	CUTTER	L=615		
33		900500-00006	2	NUT 6	6		
34		X425-000060	1	SUPPORT,CUTTER	L=640 THK=3.2	Sus. by X425-000210	
34		X425-000210	1	SUPPORT,CUTTER	L=653 T=3.2		
35		898523-06560	1	COVER, CUTTER			

2. Main Pipe, Tool



KEY	LV	PART NUMBER	Q'TY	DESCRIPTION	REMARKS	NOTE1	NOTE2
1		610206-21960	1	HOUSING ASY,D.SHFT		Sus. by 610206-21961	
1		610206-21961	1	PIPE, MAIN		Sus. by 610206-21960	
1		610206-21960	1	HOUSING ASY,D.SHFT			
2	+	610246-44730	2	STOPPER			
3	+	610217-21960	1	LINER, FLEXBLE			
5		610013-21960	1	SHAFT, FLEXIBLE		Sus. by 610013-21961	
5		610013-21961	1	SHAFT, FLEXIBLE	21,42" 4		
6		351012-21560	1	GRIP, HANDLE			
7		899580-68730	1	SAFETY GLASSES		OPTION	
8		890617-21661	1	LABEL,CAUTION			

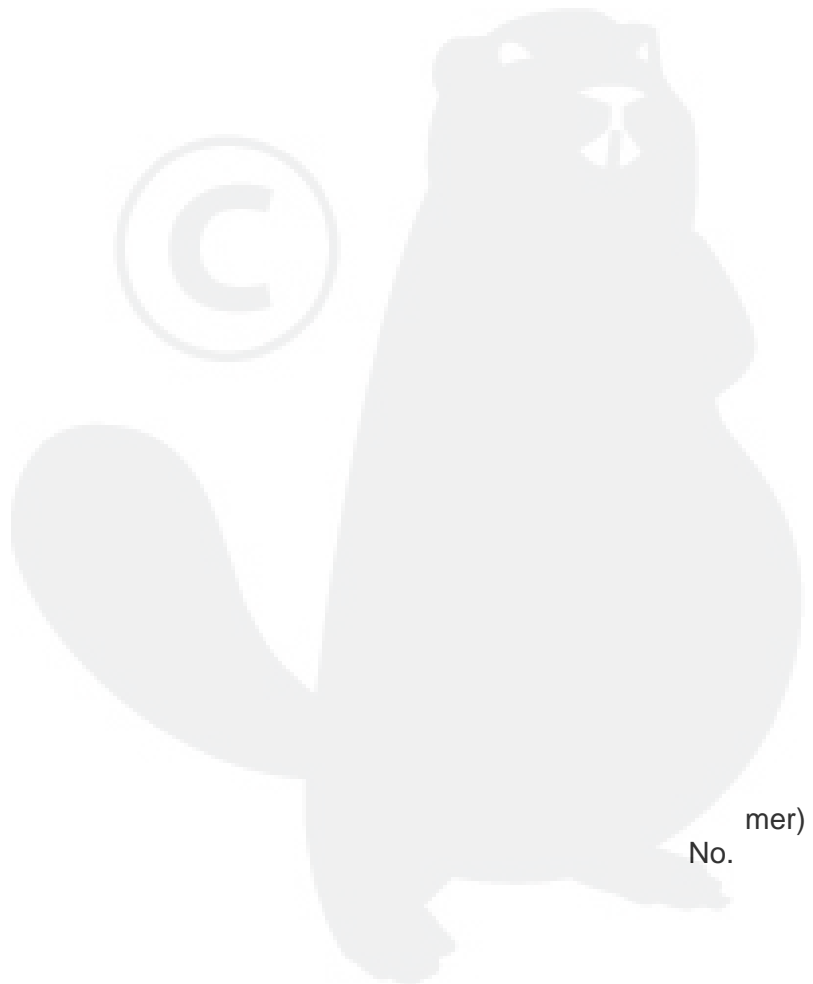
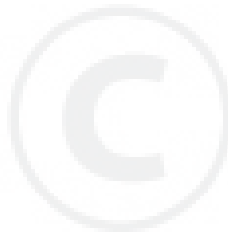
**Index**

<b>Patrs Number</b>	<b>Key No.</b>	<b>Patrs Number</b>	<b>Key No.</b>	<b>Patrs Number</b>	<b>Key No.</b>
351012-21560	2 - 6	X425-000210	1 - 34		
433022-06460	1 - 12				
604221-21460	1 - 15				
610013-21960	2 - 5				
610013-21961	2 - 5				
610206-21960	2 - 1				
610206-21960	2 - 1				
610206-21961	2 - 1				
610217-21960	2 - 3				
610239-04130	1 - 9				
610246-44730	2 - 2				
610312-04560	1 - 23				
610312-21460	1 - 20				
610330-04560	1 - 22				
610330-04561	1 - 22				
610335-21460	1 - 2				
610335-21560	1 - 17				
610350-04560	1 - 24				
610411-21460	1 - 27				
610414-21460	1 - 26				
610425-04560	1 - 25				
610440-04560	1 - 13				
699113-06560	1 - 31				
699115-21460	1 - 29				
699118-04560	1 - 30				
699120-21561	1 - 11				
880110-54230	1 - 7				
890617-21661	2 - 8				
898523-06560	1 - 35				
899580-68730	2 - 7				
900162-04012	1 - 28				
900162-05012	1 - 10				
900162-05028	1 - 8				
900212-06035	1 - 14				
900500-00006	1 - 33				
900706-00012	1 - 1				
900855-06901	1 - 4				
900858-06901	1 - 3				
C532-000120	1 - 22				
P021-000110	1 - 6				
P021-000111	1 - 6				
V060-000000	1 - 16				
V651-000050	1 - 5				
V651-000060	1 - 18				
V651-000180	1 - 5				
V651-000190	1 - 18				
X411-000050	1 - 32				
X411-000400	1 - 32				
X425-000060	1 - 34				

# YAMABIKO CORPORATION

7-2 SUEHIROCHO 1-CHOME, OHME, TOKYO 198-8760, JAPAN  
PHONE: 81-428-32-6118. FAX: 81-428-32-6145.

**ECHO**®



No. mer)