



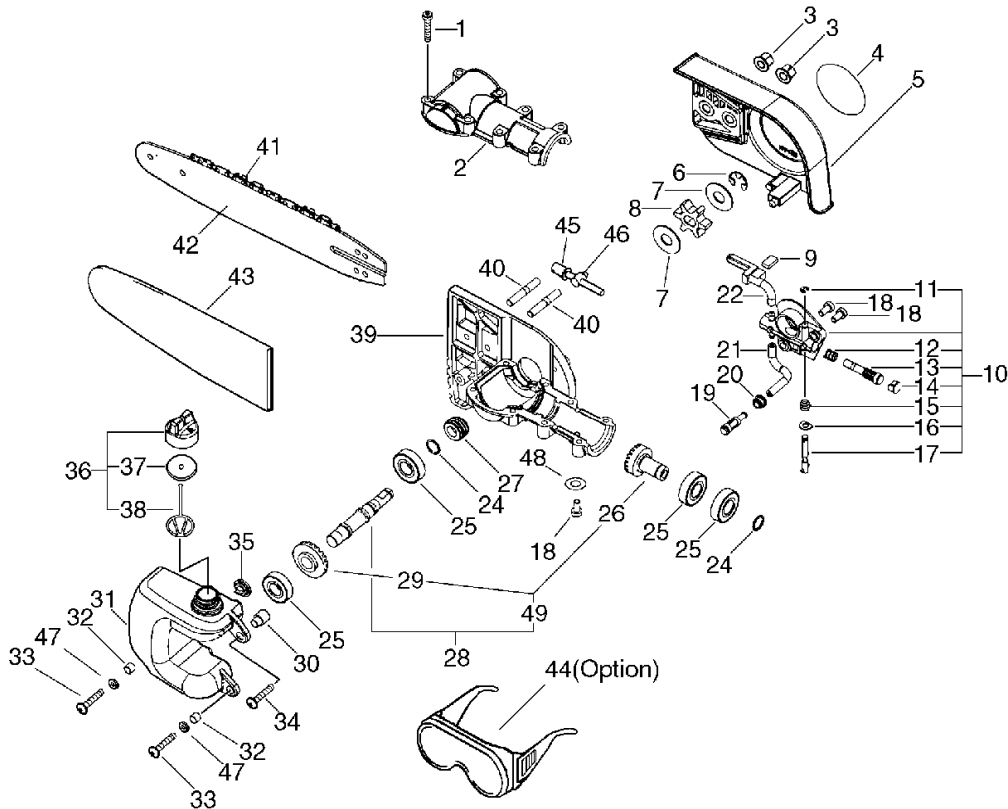
# **PARTS CATALOG**

## **PAS ATTACHMENT SBPP-SRM(PAS-Power Pruner)**

**35002500 -**

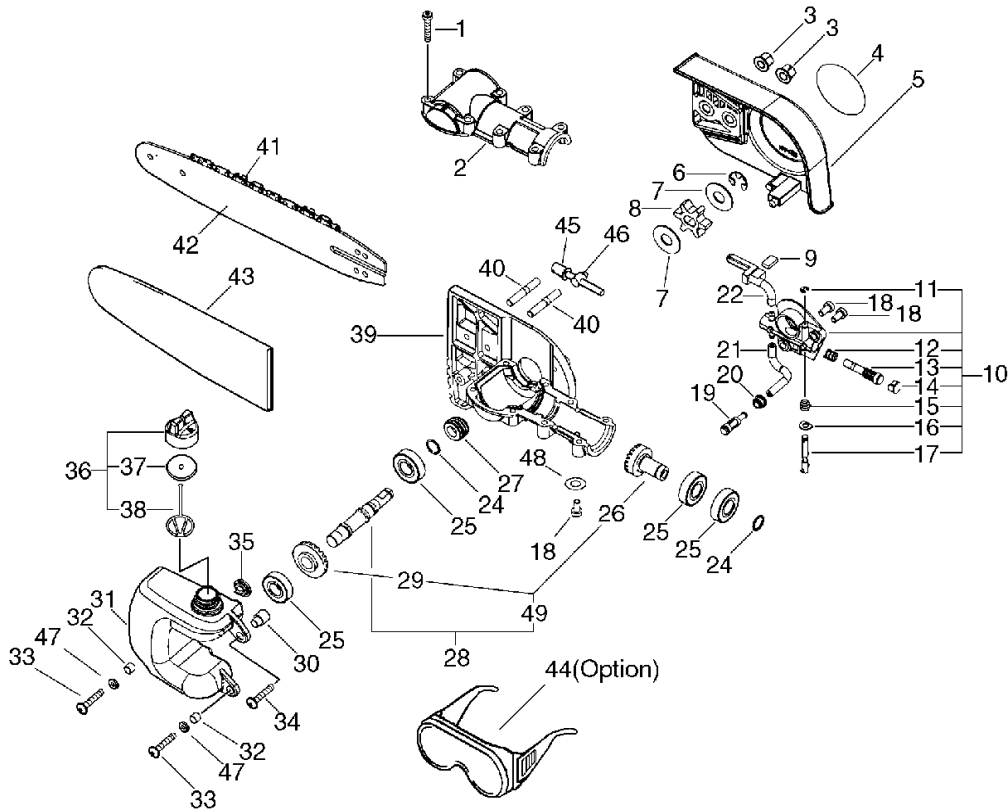
P014-000320-10Hb

1. AUTO-OILER, GEAR CASE, SPROCKET



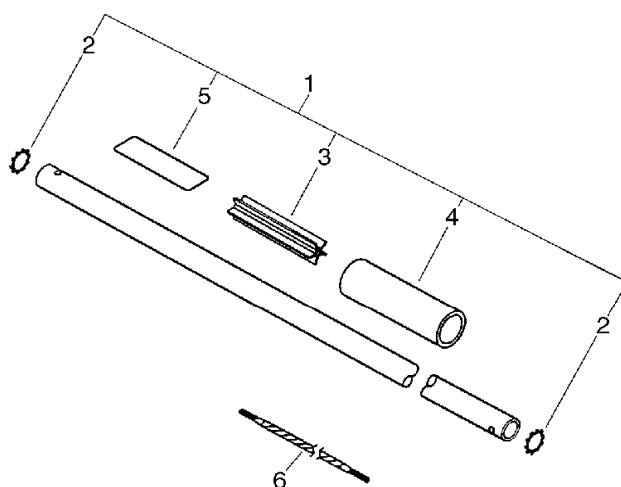
KEY	LV	PART NUMBER	Q'TY	DESCRIPTION	REMARKS	NOTE1	NOTE2
1		900109-05025	8	BOLT, H.S,H	5*25 SUS		
2		C531-000010	1	CASE,GEAR	25.5		
3		433019-03933	2	NUT, FLANGE 6	6		
4		X502-000330	1	LABEL,ECHO	ECHO		
5		C300-000001	1	GUARD,SPROCKET			
6		V583-000010	1	RING			
7		175014-39131	2	WASHER, CLUTCH	10.2*24.5*1.2		
8		C580-000070	1	SPROCKET,DRIVE			
9		437244-39130	1	PAD,FORM			
10		437002-39130	1	AUTO-OILER ASSY			
18		900109-05010	3	BOLT, H.S,	5*10		
19		436205-02832	1	STRAINER, OIL			
20		132115-01461	1	GROMMET			
20		132115-01461	1	GROMMET			
21		130110-12330	1	PIPE, IMPULSE	3*6*70L		
22		V470-000180	1	PIPE			
24		900706-00012	2	CIRCLIP 12	WR-12		
25		94052-06001	4	BEARING BALL	PEER LLU,DDU 2RS		
25		94042-06001	4	BEARING BALL	6001LLU		
27		437063-38330	1	GEAR, WORM			
28		P021-013700	1	GEAR, SHAFT KIT			
49	+	P021-009731	1	GEAR,BEVEL SET			
26	++	V651-000230	1	GEAR,BEVEL	MG 80.2310.001		

1. AUTO-OILER, GEAR CASE, SPROCKET



KEY	LV	PART NUMBER	Q'TY	DESCRIPTION	REMARKS	NOTE1	NOTE2
29	++	V651-000201	1	GEAR,BEVEL	MG 0600.2259		
30		V354-000010	1	COLLAR,6			
31		C200-000000	1	TANK,OIL			
32		131045-28230	2	COLLAR			
33		91109-05016	2	BOLT	CB 5*16		
34		900109-05025	1	BOLT, H.S.H	5*25 SUS		
35		131314-06320	1	VALVE, CHECK			
36		P021-000951	1	CAP ASSY, OIL			
37	+	436012-37830	1	GASKET, CIRCULAR			
38	+	A365-000050	1	CONNECTOR,CAP			
39		C051-000110	1	CASE,GEAR	PPF GC ASSEMBLY		
40		V224-000000	2	BOLT,STUD 6			
41		X201-000000	1	CHAIN,SAW	91VG-39E		
42		430410-22461	1	BAR, GUIDE	91 SERIES		
43		X490-000060	1	SCABBARD,CHAIN			
45		433016-39131	1	BOLT			
46		433014-03931	1	TENSIONER			
47		900603-00005	3	WASHER 5	5.5*12*0.8		
48		900600-00005	1	WASHER 5	5		
49		C534-000400	1	SHAFT, GEAR	84.50MM LENGTH		

2. MAIN PIPE



KEY	LV	PART NUMBER	Q'TY	DESCRIPTION	REMARKS	NOTE1	NOTE2
1		610206-24561	1	PIPE, MAIN			
2	+	900038-00100	2	WASHER,EXTERNAL			
3	+	610217-24560	1	LINER, FLEXIBLE			
4	+	351012-21560	1	GRIP, HANDLE			
5	+	890160-22661	1	LABEL, CAUTION	PVC FILM		
6		610013-24561	1	SHAFT, FLEXIBLE			

**Index**

<b>Patrs Number</b>	<b>Key No.</b>	<b>Patrs Number</b>	<b>Key No.</b>	<b>Patrs Number</b>	<b>Key No.</b>
130110-12330	1 - 21				
131045-28230	1 - 32				
131314-06320	1 - 35				
132115-01461	1 - 20				
132115-01461	1 - 20				
175014-39131	1 - 7				
351012-21560	2 - 4				
430410-22461	1 - 42				
433014-03931	1 - 46				
433016-39131	1 - 45				
433019-03933	1 - 3				
436012-37830	1 - 37				
436205-02832	1 - 19				
437002-39130	1 - 10				
437063-38330	1 - 27				
437244-39130	1 - 9				
610013-24561	2 - 6				
610206-24561	2 - 1				
610217-24560	2 - 3				
890160-22661	2 - 5				
900038-00100	2 - 2				
900109-05010	1 - 18				
900109-05025	1 - 1				
900109-05025	1 - 34				
900600-00005	1 - 48				
900603-00005	1 - 47				
900706-00012	1 - 24				
91109-05016	1 - 33				
94042-06001	1 - 25				
94052-06001	1 - 25				
A365-000050	1 - 38				
C051-000110	1 - 39				
C200-000000	1 - 31				
C300-000001	1 - 5				
C531-000010	1 - 2				
C534-000400	1 - 49				
C580-000070	1 - 8				
P021-000951	1 - 36				
P021-009731	1 - 49				
P021-013700	1 - 28				
V224-000000	1 - 40				
V354-000010	1 - 30				
V470-000180	1 - 22				
V583-000010	1 - 6				
V651-000201	1 - 29				
V651-000230	1 - 26				
X201-000000	1 - 41				
X490-000060	1 - 43				
X502-000330	1 - 4				

# YAMABIKO CORPORATION

7-2 SUEHIROCHO 1-CHOME, OHME, TOKYO 198-8760, JAPAN  
PHONE: 81-428-32-6118. FAX: 81-428-32-6145.

**ECHO**®



10Hb  
No. 56-133