



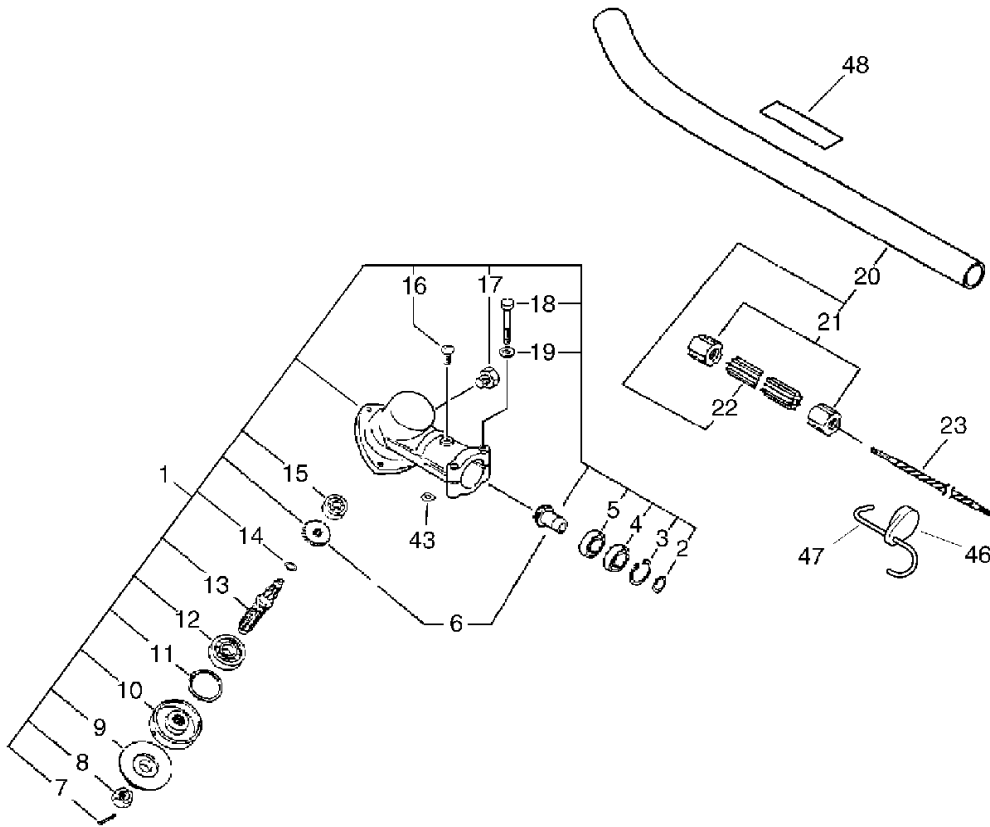
PARTS CATALOG

PAS ATTACHMENT PAS-PE(999442-00875)

35001405 -

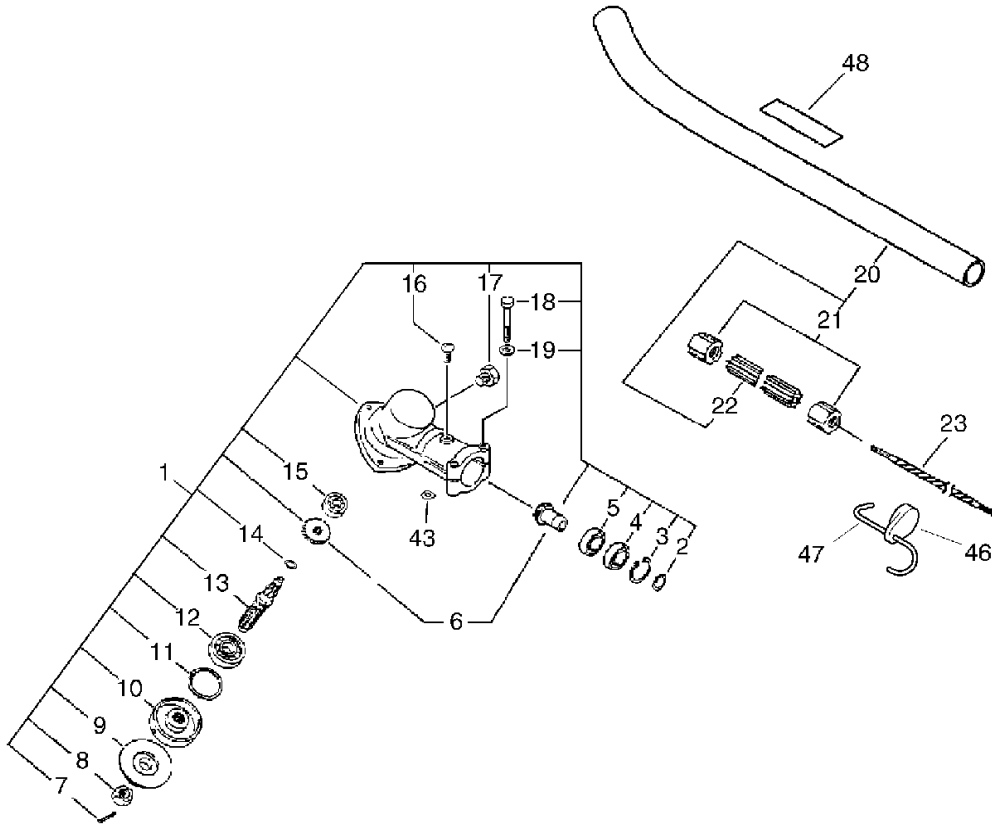
P014-000270-10Hb

1. GEAR CASE



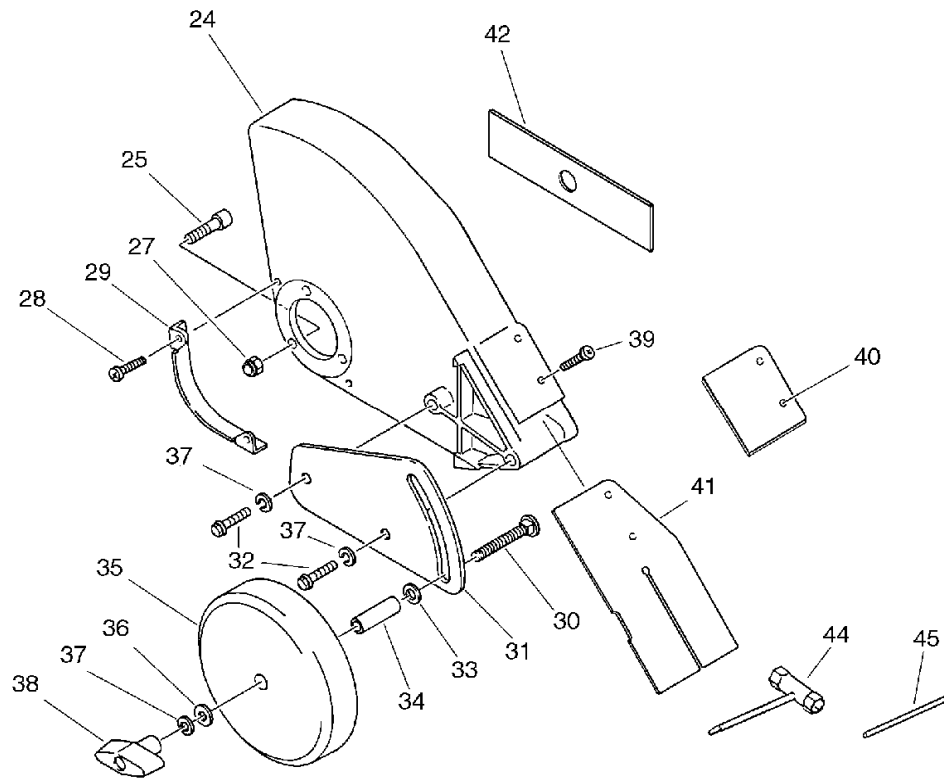
KEY	LV	PART NUMBER	Q'TY	DESCRIPTION	REMARKS	NOTE1	NOTE2
1		P021-013441	1	CASE,GEAR			
2	+	900706-00010	1	CIRCLIP 10	WR-10		
3	+	900702-00022	1	CIRCLIP 22	CR-22		
4	+	900858-06900	1	BEARING, BALL 6900Z	6900Z		
5	+	900855-06900	1	BEARING, BALL 6900	6900		
6	+	V000-000020	1	GEAR,BEVEL			
7	+	900300-20022	1	PIN, SPLIT 2*22	2*22		
8	+	900513-00010	1	NUT 10*1.25 3N L-H	3N10*1.25		
9	+	610314-04131	1	PLATE, ADAPTER (L)			
10	+	C535-000100	1	FIXTURE,BLADE			
11	+	900702-00042	1	CIRCLIP 42	CR-42		
12	+	900810-00629	1	BEARING, BALL 629			
13	+	C534-000220	1	SHAFT,GEAR			
14	+	900706-00012	1	CIRCLIP 12	WR-12		
15	+	900812-06302	1	BEARING, BALL	BB6302 LLU,DDU		
16	+	900242-05012	1	SCREW 5*12	5*12		
17	+	610434-50031	1	BOLT 8* 8	M8*8		
18	+	900100-05030	2	BOLT 5*30	5*30		
19	+	900600-00005	2	WASHER 5	5		
43	+	610239-04130	2	WASHER, SHIM			
20		C050-000980	1	PIPE, MAIN	25*T1.5*738		
21	+	610246-44730	1	STOPPER			
22	+	C507-000240	1	LINER, FLEXIBLE	21.6*643LNG		
23		C506-000002	1	SHAFT,FLEXIBLE			
46		C525-000010	1	CAP,MAIN PIPE	25MM PIPE		

1. GEAR CASE



KEY	LV	PART NUMBER	Q'TY	DESCRIPTION	REMARKS	NOTE1	NOTE2
47		C649-000120	1	HOOK			
48		890160-25560	1	LABEL, CAUTION			
48		890160-25560	1	LABEL, CAUTION			

2. SHIELD



KEY	LV	PART NUMBER	Q'TY	DESCRIPTION	REMARKS	NOTE1	NOTE2
24		C550-000121	1	SHIELD, BLADE			
24		C550-000122	1	SHIELD, BLADE			
25		900162-05025	3	BOLT, H.S. 5*25	5*25 W, SW		
27		900562-50005	3	LOCKNUT 5	5		
28		900253-04012	2	SCREW	4*12		
29		699025-52630	1	PLATE, PROTECTION			
30		610250-55330	1	BOLT			
31		302029-55332	1	BRACKET, WHEEL			
32		900100-08014	2	BOLT 8*14	8*14		
33		900602-00010	1	WASHER 10(10.5*21*2)	10.5*21*2		
34		302424-52630	1	COLLAR, 12			
35		C730-000030	1	WHEEL	GRAY HUB		
36		900602-00008	1	WASHER 8	8.4*17*1.6		
37		900605-00008	3	WASHER, SPRING 8	8		
38		178113-55330	1	NUT, WING	5/16-18		
39		900253-04012	2	SCREW	4*12		
40		C552-000101	1	PLATE, SHIELD			
41		C550-000110	1	SHIELD, BLADE			
42		696015-52632	1	2-CUTTER BLADE QTY-2			
44		X602-000020	1	TOOL, WRENCH	17*19 L200		
45		X606-000080	1	TOOL, BAR	5*120		

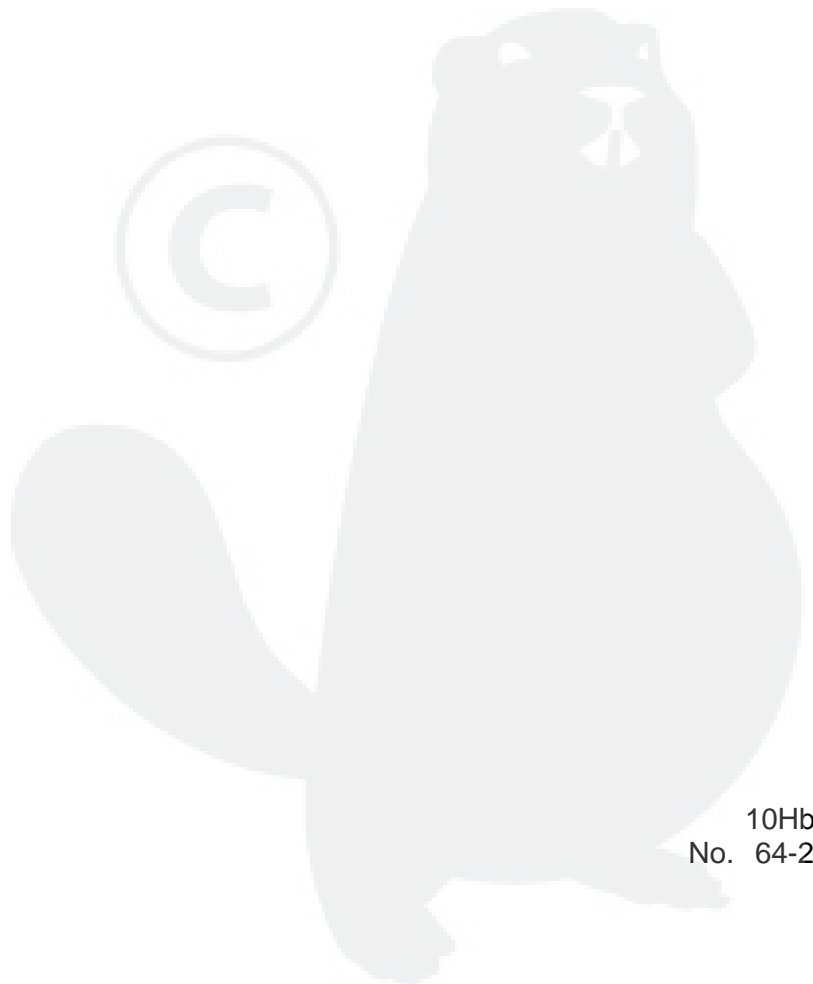
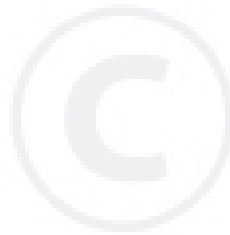
Index

Patrs Number	Key No.	Patrs Number	Key No.	Patrs Number	Key No.
178113-55330	2 - 38				
302029-55332	2 - 31				
302424-52630	2 - 34				
610239-04130	1 - 43				
610246-44730	1 - 21				
610250-55330	2 - 30				
610314-04131	1 - 9				
610434-50031	1 - 17				
696015-52632	2 - 42				
699025-52630	2 - 29				
890160-25560	1 - 48				
890160-25560	1 - 48				
900100-05030	1 - 18				
900100-08014	2 - 32				
900162-05025	2 - 25				
900242-05012	1 - 16				
900253-04012	2 - 28				
900253-04012	2 - 39				
900300-20022	1 - 7				
900513-00010	1 - 8				
900562-50005	2 - 27				
900600-00005	1 - 19				
900602-00008	2 - 36				
900602-00010	2 - 33				
900605-00008	2 - 37				
900702-00022	1 - 3				
900702-00042	1 - 11				
900706-00010	1 - 2				
900706-00012	1 - 14				
900810-00629	1 - 12				
900812-06302	1 - 15				
900855-06900	1 - 5				
900858-06900	1 - 4				
C050-000980	1 - 20				
C506-000002	1 - 23				
C507-000240	1 - 22				
C525-000010	1 - 46				
C534-000220	1 - 13				
C535-000100	1 - 10				
C550-000110	2 - 41				
C550-000121	2 - 24				
C550-000122	2 - 24				
C552-000101	2 - 40				
C649-000120	1 - 47				
C730-000030	2 - 35				
P021-013441	1 - 1				
V000-000020	1 - 6				
X602-000020	2 - 44				
X606-000080	2 - 45				

YAMABIKO CORPORATION

7-2 SUEHIROCHO 1-CHOME, OHME, TOKYO 198-8760, JAPAN
PHONE: 81-428-32-6118. FAX: 81-428-32-6145.

ECHO®



10Hb
No. 64-239