



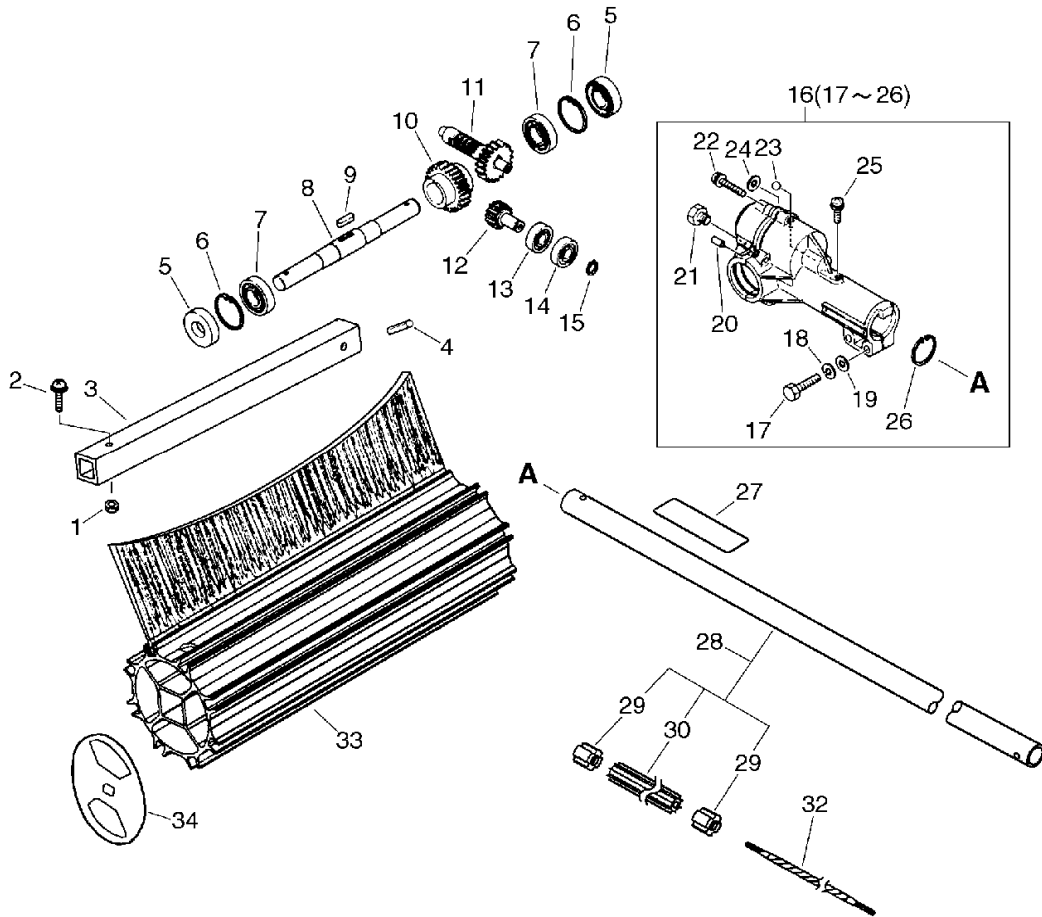
# **PARTS CATALOG**

## **PAS ATTACHMENT PAS-PS(PAS-ProSweep)**

**23488 -**

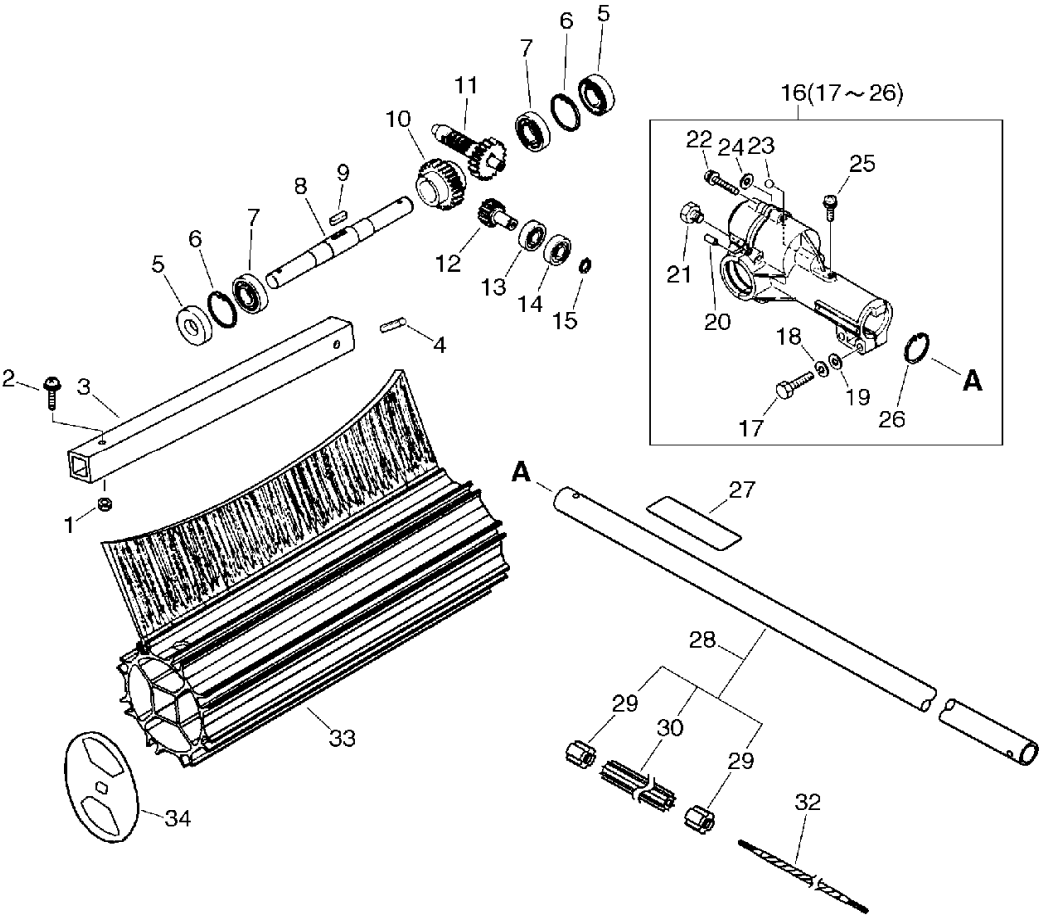
P014-000300-10Hb

1. MAIN PIPE , GEAR CASE, BRUSH



KEY	LV	PART NUMBER	Q'TY	DESCRIPTION	REMARKS	NOTE1	NOTE2
		601400-24960	1	CASE,GEAR			
1		900560-00005	2	NUT, LOCK 5	5		
2		900220-05030	2	SCREW 5*30	5*30		
3		C517-000070	2	COUPLING, SHAFT			
4		404523-25560	2	PIN,STRAIGHT			
5		605416-11050	2	OILSEAL			
6		900702-00030	2	CIRCLIP 30	CR-30		
7		900855-06903	2	BEARING, BALL 6903	6903		
8		605314-25560	1	SHAFT, WORM WHEEL			
9		900325-04015	1	KEY, FEATHER 4*15	4*15		
10		605315-11050	1	WHEEL, WORM			
11		605313-11050	1	GEAR, WORM			
12		605310-11050	1	GEAR, DRIVE			
13		900800-00609	1	BEARING, BALL 609	609		
14		900803-00609	1	BEARING, BALL 609	609Z		
15		900706-00009	1	CIRCLIP 9	WR-9		
16		605401-12050	1	CASE, GEAR			
17	+	900100-06025	2	BOLT 6*25	6*25		
18	+	900605-00006	2	WASHER, SPRING 6	6		
19	+	900600-00006	2	WASHER 6	6		
20	+	605430-11050	2	PIN, DOWEL			
21	+	900100-08008	1	BOLT 8*8	8*8		
22	+	900242-04025	5	SCREW 4*25	4*25		
23	+	900731-01004	1	BALL, STEEL 1/4	1/4		
24	+	605324-11050	1	WASHER			
25	+	900242-05014	1	SCREW 5*14			

1. MAIN PIPE , GEAR CASE, BRUSH



KEY	LV	PART NUMBER	Q'TY	DESCRIPTION	REMARKS	NOTE1	NOTE2
26	+	900702-00025	1	CIRCLIP 25	CR-25		
27		890160-25560	1	LABEL, CAUTION			
28		610206-25662	1	PIPE, MAIN			
29	+	610246-44730	2	STOPPER			
30	+	610217-52630	1	LINER, FLEXIBLE			
30	+	C507-000240	1	LINER, FLEXIBLE	21.6*643LNG		
32		C506-000002	1	SHAFT, FLEXIBLE			
33		P021-007010	1	BRUSH KIT			
34		250230-25561	2	CAP, HOLDER			

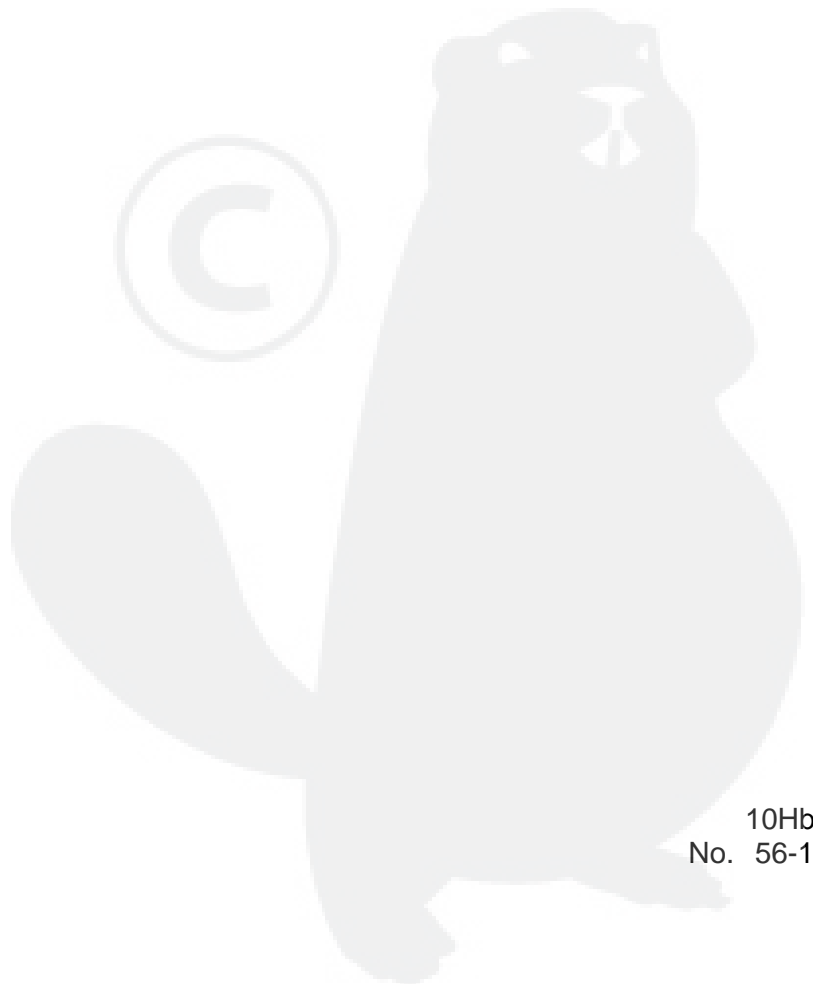
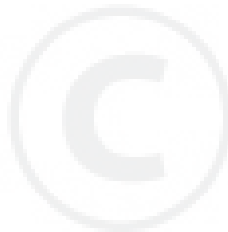
**Index**

<b>Patrs Number</b>	<b>Key No.</b>	<b>Patrs Number</b>	<b>Key No.</b>	<b>Patrs Number</b>	<b>Key No.</b>
250230-25561	1 - 34				
404523-25560	1 - 4				
601400-24960	1 -				
605310-11050	1 - 12				
605313-11050	1 - 11				
605314-25560	1 - 8				
605315-11050	1 - 10				
605324-11050	1 - 24				
605401-12050	1 - 16				
605416-11050	1 - 5				
605430-11050	1 - 20				
610206-25662	1 - 28				
610217-52630	1 - 30				
610246-44730	1 - 29				
890160-25560	1 - 27				
900100-06025	1 - 17				
900100-08008	1 - 21				
900220-05030	1 - 2				
900242-04025	1 - 22				
900242-05014	1 - 25				
900325-04015	1 - 9				
900560-00005	1 - 1				
900600-00006	1 - 19				
900605-00006	1 - 18				
900702-00025	1 - 26				
900702-00030	1 - 6				
900706-00009	1 - 15				
900731-01004	1 - 23				
900800-00609	1 - 13				
900803-00609	1 - 14				
900855-06903	1 - 7				
C506-000002	1 - 32				
C507-000240	1 - 30				
C517-000070	1 - 3				
P021-007010	1 - 33				

# YAMABIKO CORPORATION

7-2 SUEHIROCHO 1-CHOME, OHME, TOKYO 198-8760, JAPAN  
PHONE: 81-428-32-6118. FAX: 81-428-32-6145.

**ECHO**<sup>®</sup>



10Hb  
No. 56-133