



PARTS CATALOG

PAS ATTACHMENT

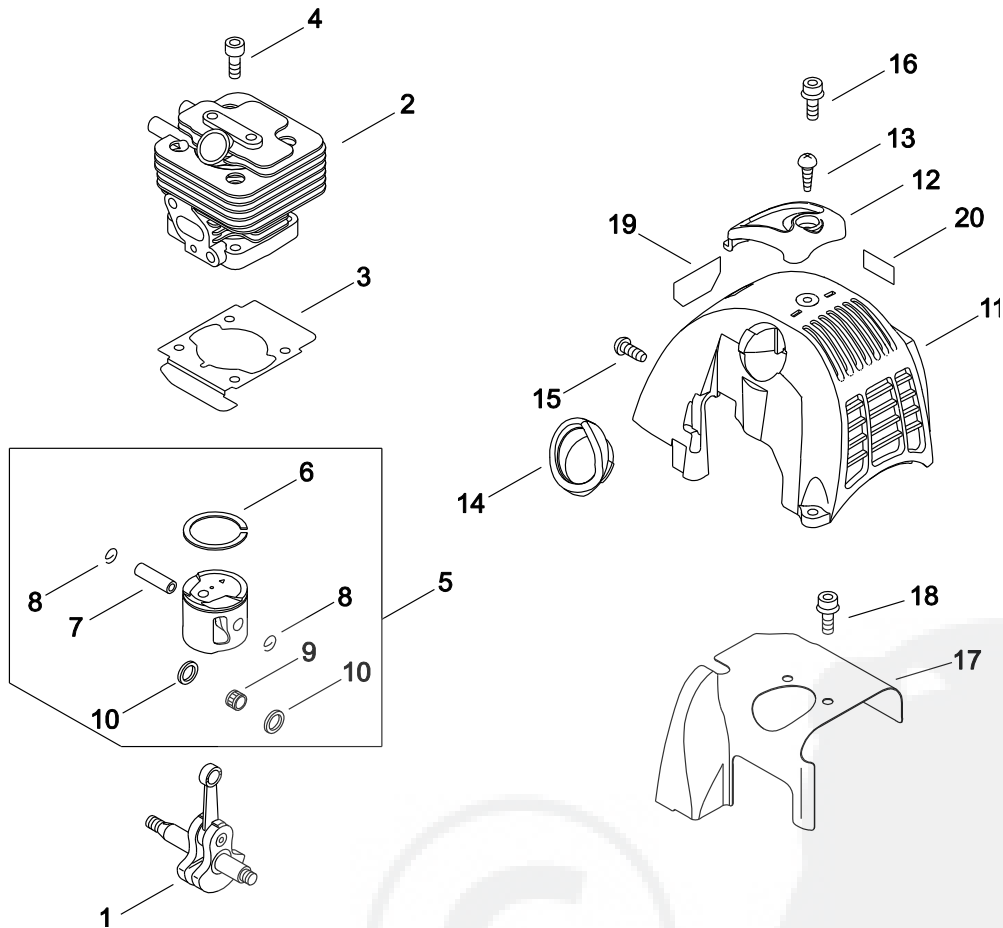
PAS-265ES(37)

37017937 -

CE

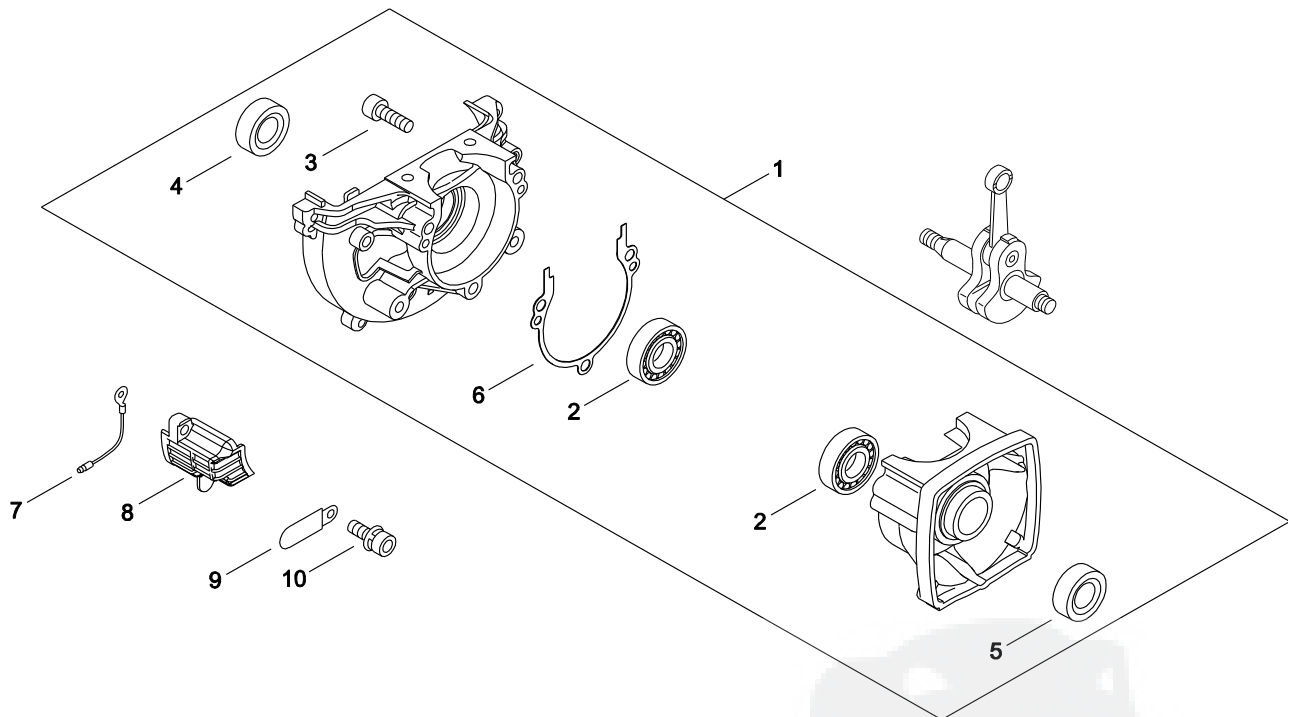
P014-000251-14M

1. CYLINDER, PISTON, CRANKSHAFT



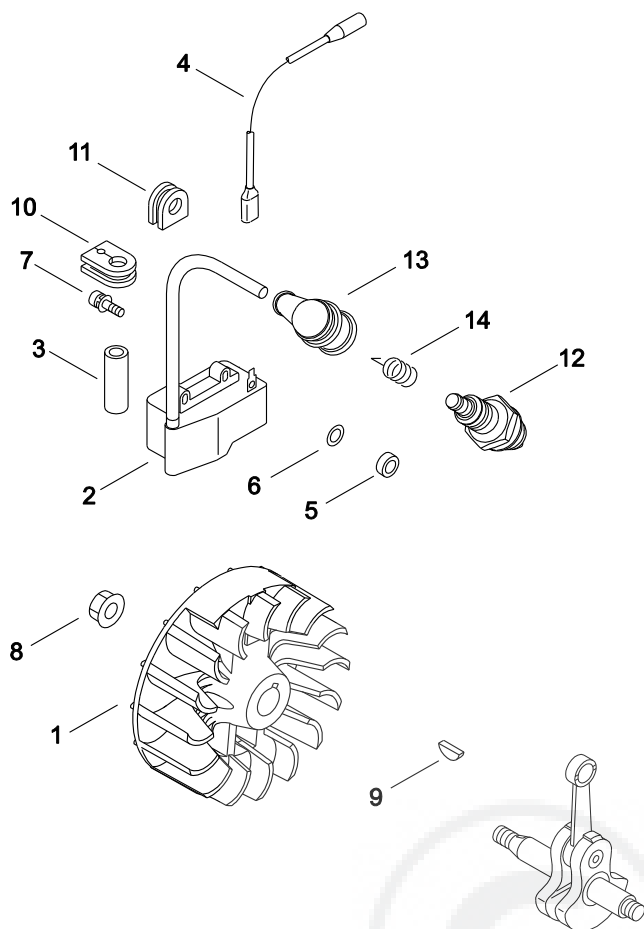
KEY	LV	PART NUMBER	Q'TY	DESCRIPTION	REMARKS	NOTE1	NOTE2
1		A011-000434	1	CRANKSHAFT,ASY			
2		A130-000761	1	CYLINDER			
3		V100-000210	1	GASKET,CYL	T0.5 38.1		
4		900162-05025	4	BOLT, H.S. 5*25	5*25 W,SW		
5		P021-009771	1	PISTON KIT			
6	+	A101-000170	1	RING, PISTON	34*1.5*1.5		
7	+	100013-35430	1	PIN, PISTON	6*9*27.8		
8	+	100015-03931	2	CIRCLIP, PISTON PIN			
9	+	100012-16131	1	BEARING, NEEDLE			
10	+	100014-53630	2	SPACER, PISTON PIN			
11		A160-000780	1	COVER,CYLINDER			
12		A162-000100	1	GUARD, TOP			
13		900256-05016	1	SCREW, TAPPING	5*16		
14		A162-000080	1	GUARD, TOP			
15		91140-05012	1	BOLT	M5*12		
16		900106-05014	1	BOLT, H.S. 5*14	5*14		
17		A160-000691	1	COVER,CYLINDER			
18		900106-05008	2	BOLT, H.S. 5* 8	5*8		
19		X547-000880	1	LABEL,ECHO	ECHO+PAS-265ES		
20		X505-008220	1	LABEL,CAUTION	HOT CAUTION		

2. CRANKCASE



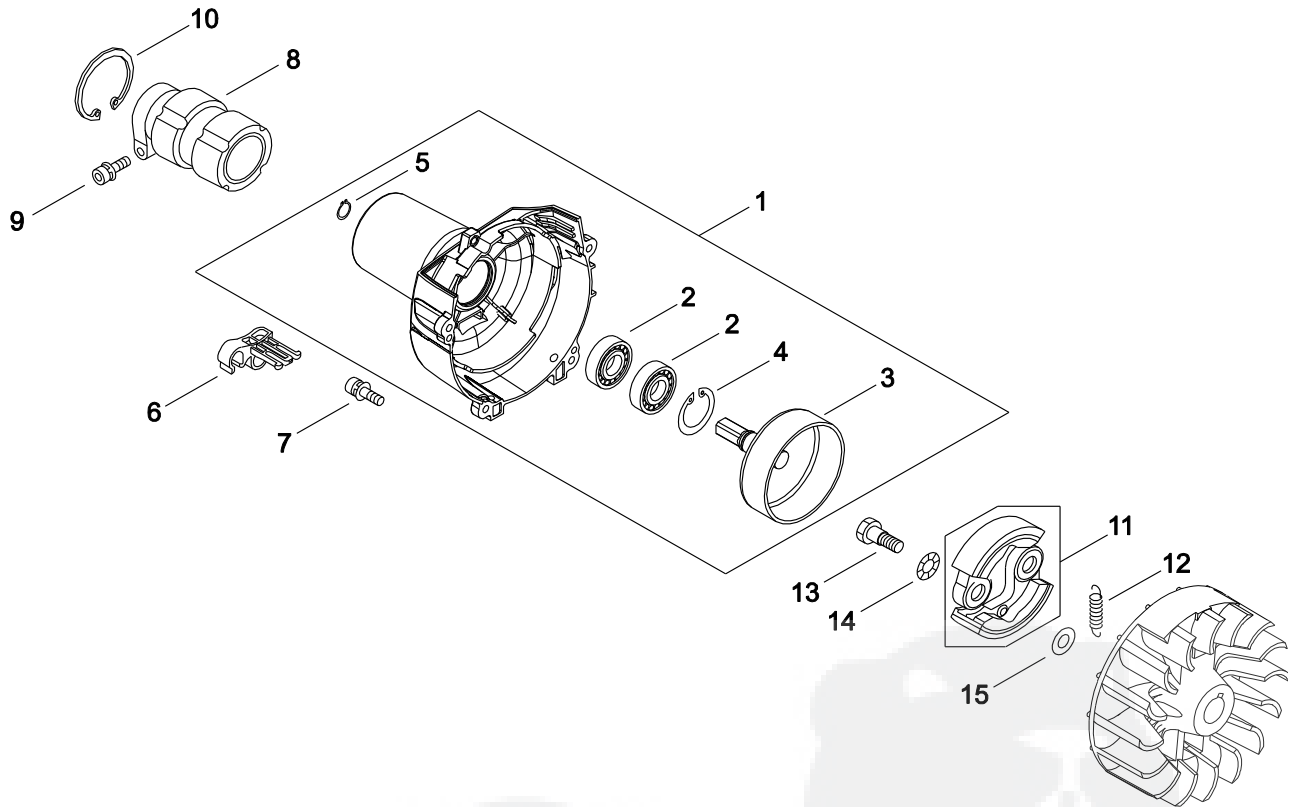
KEY	LV	PART NUMBER	Q'TY	DESCRIPTION	REMARKS	NOTE1	NOTE2
1		P021-010801	1	CRANKCASE KIT			
2	+	94035-36201	2	BEARING BALL	6201X3JR2C3		
3	+	900162-05028	3	BOLT, H.S. 5*28	5*28 W,SW		
4	+	100212-42031	1	OILSEAL	ISCD 12*22*4.5		
5	+	V505-000050	1	SEAL,OIL 12			
6	+	100242-42030	1	GASKET, CRANKCASE			
7		156635-43130	1	LEAD, GROUND			
8		A127-000160	1	COVER,DUST			
9		159116-21231	1	CLAMP			
10		900162-05016	1	BOLT, H.S. 5*16	5*16 W,SW		

3. MAGNETO



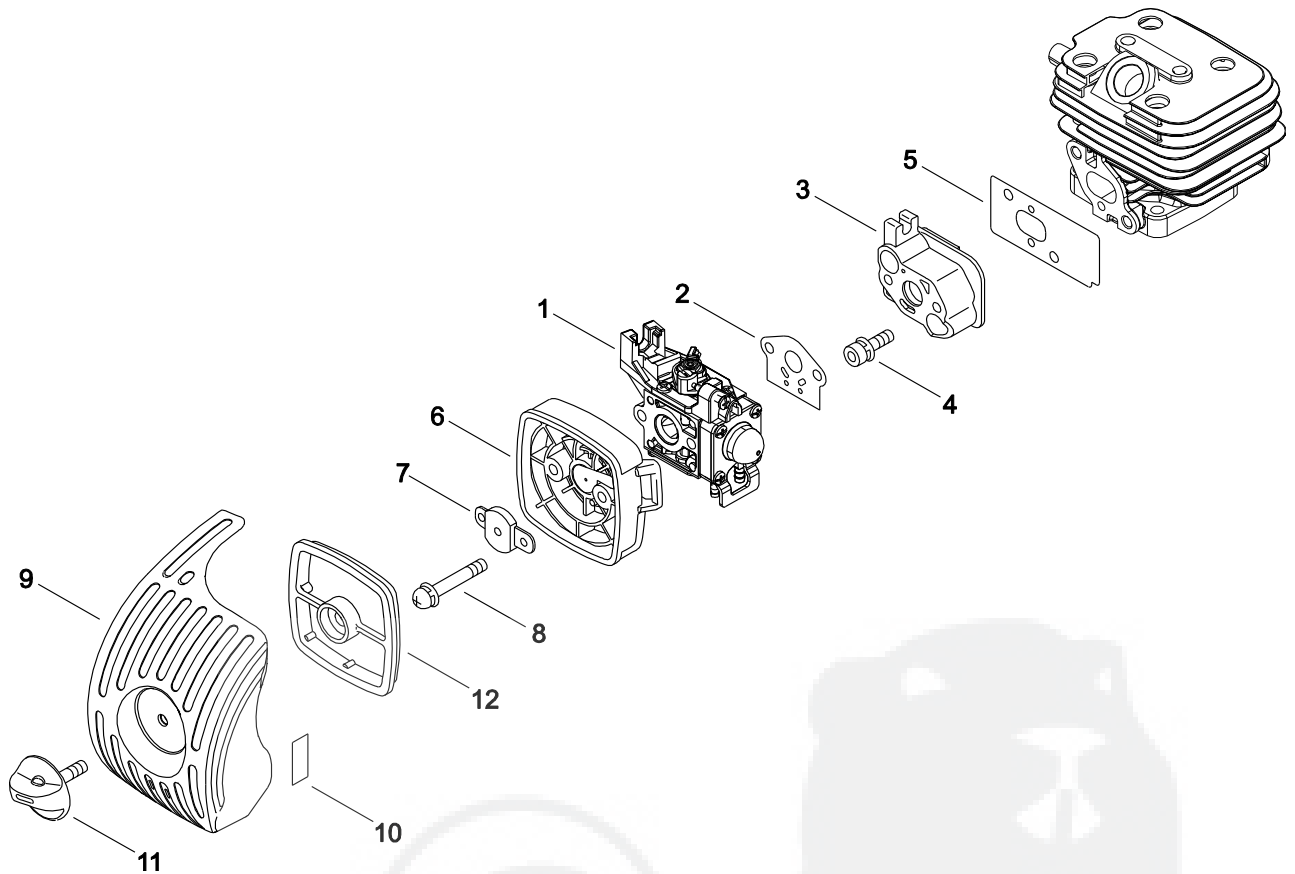
KEY	LV	PART NUMBER	Q'TY	DESCRIPTION	REMARKS	NOTE1	NOTE2
1		A409-001222	1	ROTOR, MAGNETO	ID:C10744		
2		A411-000251	1	COIL, IGNITION	ID#C10048		
3		V475-003380	1	TUBE			
4		162010-04561	1	LEAD, GROUND	210L		
5		V322-000031	2	WASHER,CIRCULAR 4			
6		900603-00004	2	WASHER 4	4.5*10*0.8		
7		V202-000130	2	BOLT,4	CBF-4*20		
8		900515-00008	1	NUT, FLANGE 8	8		
9		100142-12330	1	KEY, WOODRUFF			
10		V135-000030	1	GROMMET,HT CORD			
11		156110-04920	1	BUSHING			
12		A425-000000	1	SPARKPLUG	BPMR8Y		
13		A427-000013	1	CAP, SPARK PLUG			
14		A426-000010	1	TERMINAL,SPARKPLUG			

4. CLUTCH



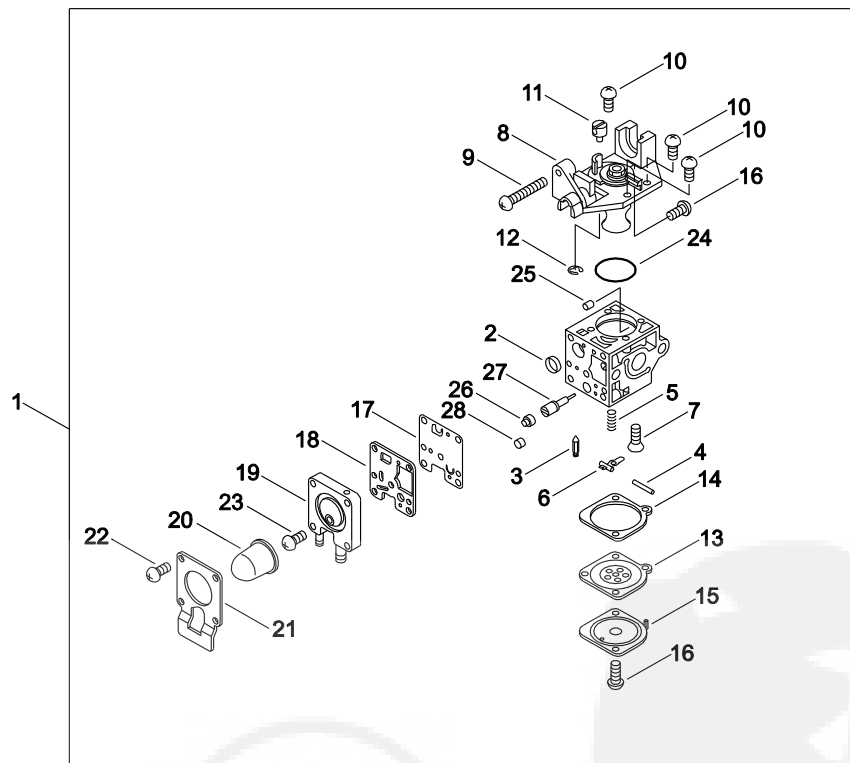
KEY	LV	PART NUMBER	Q'TY	DESCRIPTION	REMARKS	NOTE1	NOTE2
1		P021-048220	1	COVER,FAN ASY			
2	+	94051-06001	2	BEARING, BALL	PEER RLD GREASE		
3	+	A556-000390	1	DRUM, CLUTCH			
4	+	900702-00028	1	CIRCLIP 28	CR-28		
5	+	900701-00012	1	CIRCLIP 12	CS-12		
6		V491-000180	1	CLIP			
7		900163-04016	4	BOLT HSH			
8		610922-55931	1	HOLDER, MAIN PIPE			
9		900162-05028	1	BOLT, H.S. 5*28	5*28 W,SW		
10		900702-00042	1	CIRCLIP 42	CR-42		
11		P021-046900	1	CLUTCH SHOE SET			
12		V451-001390	1	SPRING,TENSION	172N/34MM		
13		175046-56030	2	SHAFT, CLUTCH			
14		175049-56030	2	WASHER	8.5*16*0.5		
15		175048-05530	2	WASHER (I)	6.2*19*1.0		

5. AIR CLEANER, CARBURETOR



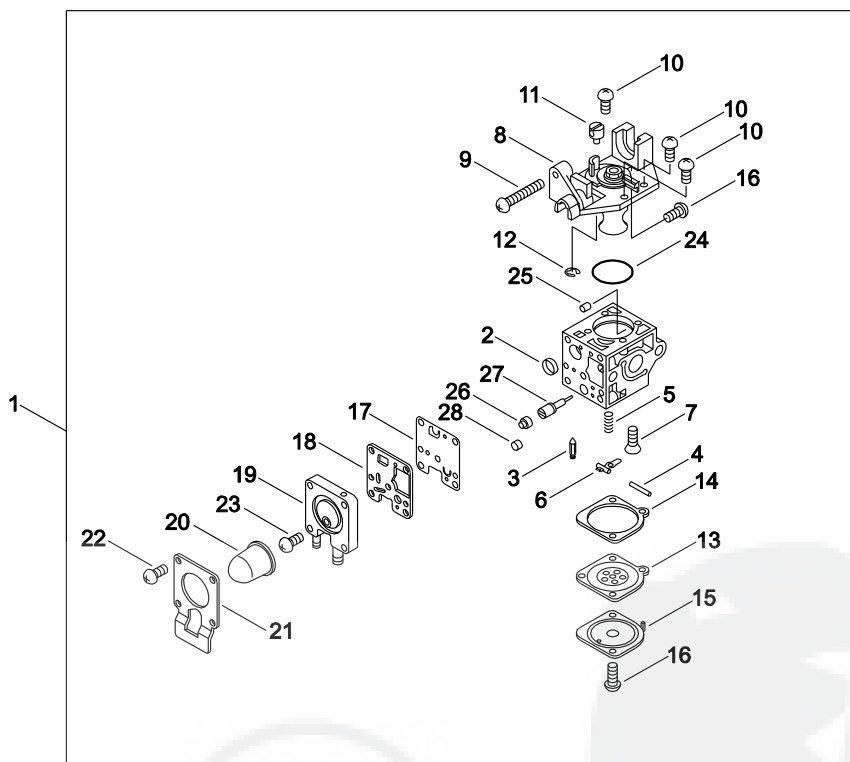
KEY	LV	PART NUMBER	QTY	DESCRIPTION	REMARKS	NOTE1	NOTE2
1		A021-001742	1	CARBURETOR,DIAPHRAGM	ZAMA RB-K94		
2		V103-000270	1	GASKET,INTAKE	T1.5-11		
3		A200-000200	1	INSULATOR,INTAKE			
4		900162-05025	2	BOLT, H.S. 5*25	5*25 W,SW		
5		V103-000210	1	GASKET,INTAKE			
6		P021-049010	1	CASE,CLEANER			
7		129011-52730	1	PLATE, PREVENT			
8		900242-05065	2	SCREW 5*65	5*65		
9		A232-000330	1	LID,CLEANER			
10		890332-52730	1	LABEL, CHOKE			
11		V299-000250	1	KNOB,FASTENER			
12		A226-001410	1	ELEMENT,AIR FILTER			

6. CARBURETOR



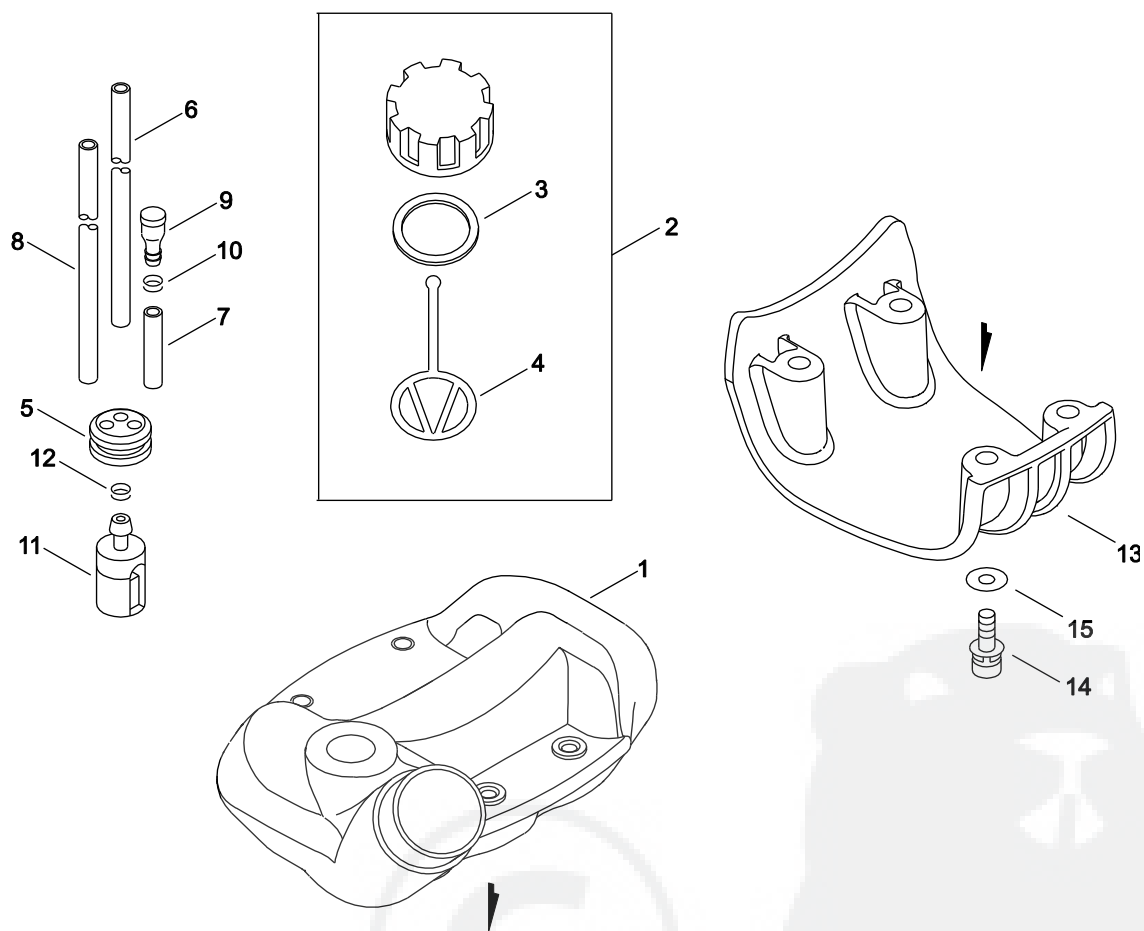
KEY	LV	PART NUMBER	Q'TY	DESCRIPTION	REMARKS	NOTE1	NOTE2
1		A021-001742	1	CARBURETOR,DIAPHRAGM	ZAMA RB-K94		
2	+	P005-000010	1	STRAINER			
3	+	125337-08260	1	VALVE, INLET NEEDLE			
4	+	125338-13930	1	PIN, METERING ARM			
5	+	125322-07260	1	SPRING, COIL			
6	+	125323-08260	1	ARM, VALVE			
7	+	125339-42030	1	SCREW			
8	+	P005-002070	1	COVER ASY, ROTOR			
9	+	P005-000100	1	SCREW,THROTTLADJUST			
10	+	125344-13931	3	SCREW			
11	+	P005-001240	1	POST			
12	+	P005-000190	1	E-RING			
13	+	P005-002230	1	DIAPHRAGM ,METERING			
14	+	P005-000200	1	GASKET, METERING			
15	+	125342-52130	1	COVER, DIAPHRAGM			
16	+	125344-52130	3	SCREW			
17	+	P005-000510	1	DIAPHRAGM, PUMP			
18	+	P005-000520	1	GASKET, PUMP			
19	+	P005-001890	1	BASE, ASY PRIMER			
20	+	P005-003110	1	PUMP, PRIMER			
21	+	P005-000250	1	RETAINER			
22	+	P005-001900	4	SCREW			
23	+	P005-000270	1	SCREW			
24	+	P005-000280	1	O-RING			
25	+	P005-001000	1	ROLLER, GUIDE			

6. CARBURETOR



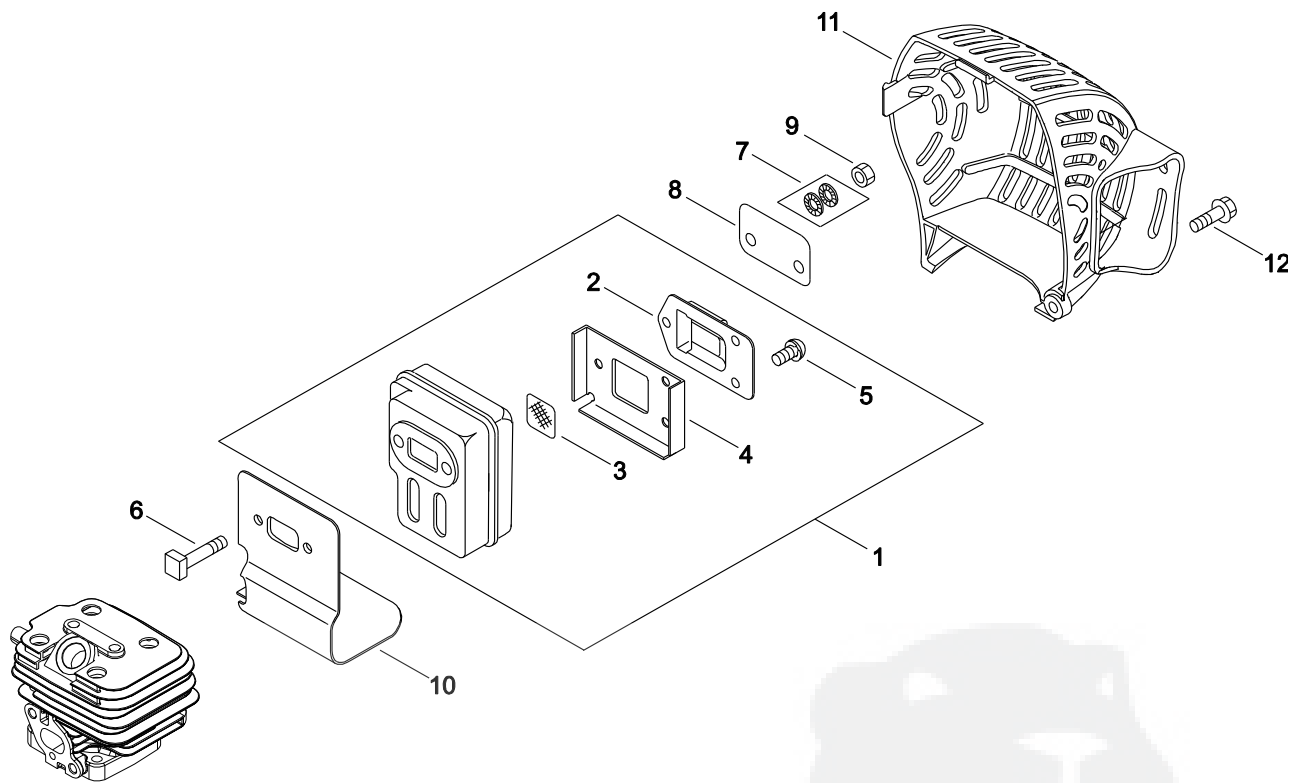
KEY	LV	PART NUMBER	Q'TY	DESCRIPTION	REMARKS	NOTE1	NOTE2
26	+	P005-001250	1	RETAINER,PLUG BALL			
27	+	P005-001290	1	SCREW,MAINN MIXTURE			
28	+	P005-001270	1	PLUG, H AJUST SCREW			

7. FUEL TANK



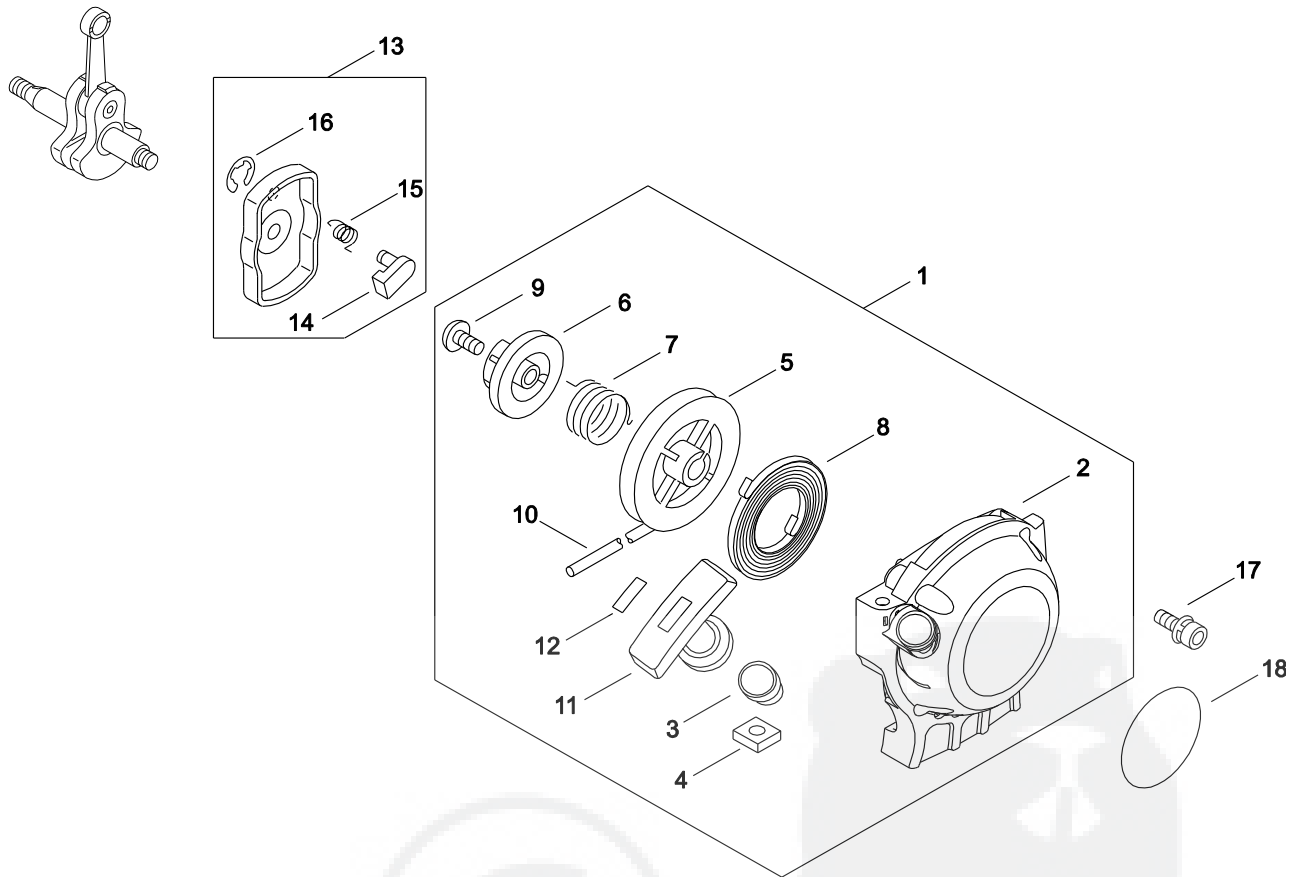
KEY	LV	PART NUMBER	QTY	DESCRIPTION	REMARKS	NOTE1	NOTE2
1		P021-013640	1	TANK,FUEL			
2		131004-55530	1	CAP ASSY, FUEL TANK			
3	+	131016-55830	1	GASKET, FUEL CAP			
4	+	131051-56030	1	CLIP, FUEL CAP	100L		
5		132115-55930	1	GROMMET, FUEL			
6		V470-000580	1	PIPE	3*5*195		
7		V471-001180	1	PIPE	3*6*35 NBR		
8		132010-40830	1	PIPE 3* 6* 75	3*6*75 YL		
9		A356-000031	1	VALVE,CHECK			
10		V490-001230	1	CLIP			
11		A369-000440	1	STRAINER, FUEL	125-952		
12		V490-001240	1	CLIP			
13		A175-000030	1	STAND			
14		900162-05025	4	BOLT, H.S. 5*25	5*25 W,SW		
15		900603-00005	4	WASHER 5	5.5*12*0.8		

8. MUFFLER



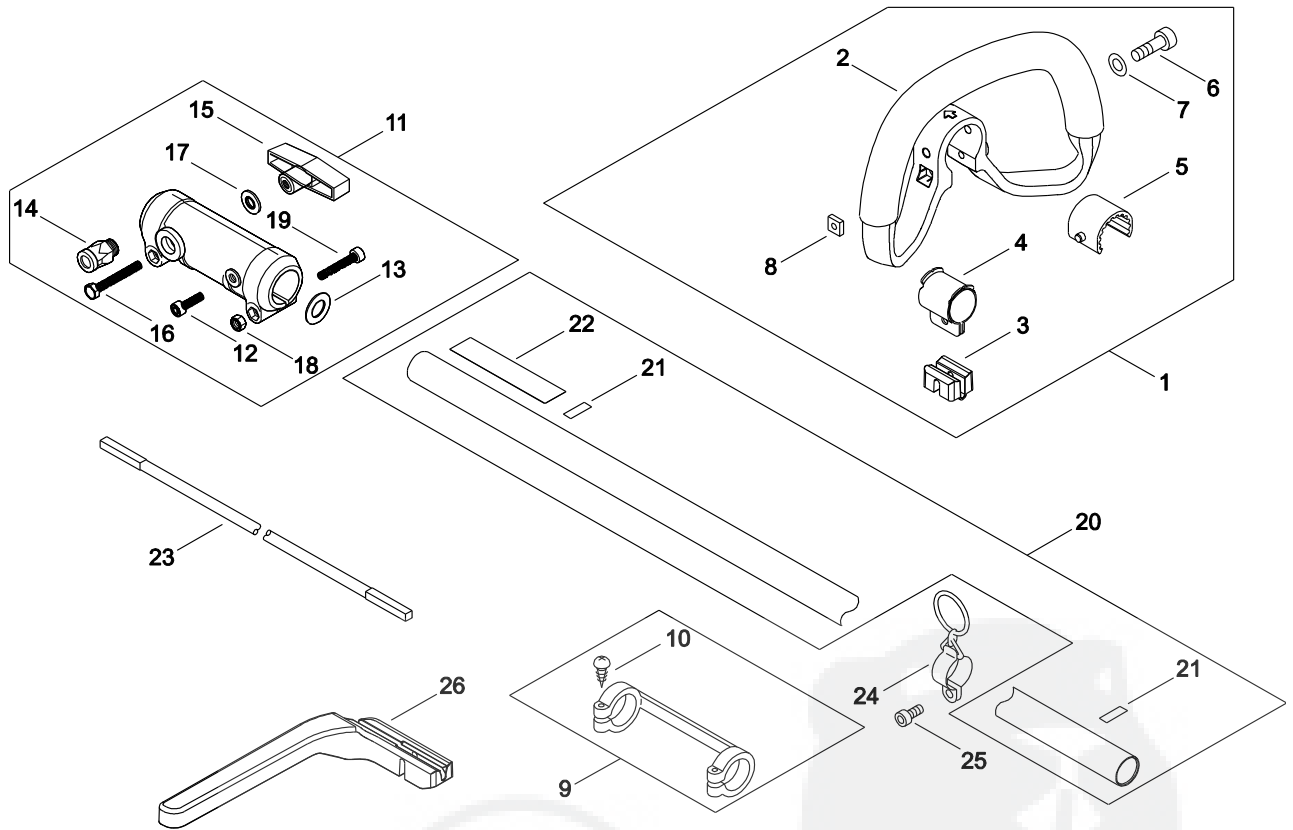
KEY	LV	PART NUMBER	Q'TY	DESCRIPTION	REMARKS	NOTE1	NOTE2
1		P021-011580	1	MUFFLER ASY			
2	+	A313-000830	1	GUIDE, EXHAUST	ID#1330		
3	+	145862-40630	1	SCREEN, MUFFLER			
4	+	V104-000790	1	GASKET, EXHAUST			
5	+	91367-04010	3	SCREW	4*10/SW(SUS)		
6		V203-000120	2	BOLT, 5	L=60		
7		92280-05000	2	WASHER, NORD-LOCK	NL5 5.4*9*1.8		
8		V150-001760	1	PLATE, EYE			
9		900500-00005	2	NUT 5	5		
10		V104-000780	1	GASKET, EXHAUST			
11		A320-000341	1	COVER, MUFFLER			
12		900106-05014	1	BOLT, H.S. 5*14	5*14		

9. RECOIL STARTER, PULLEY



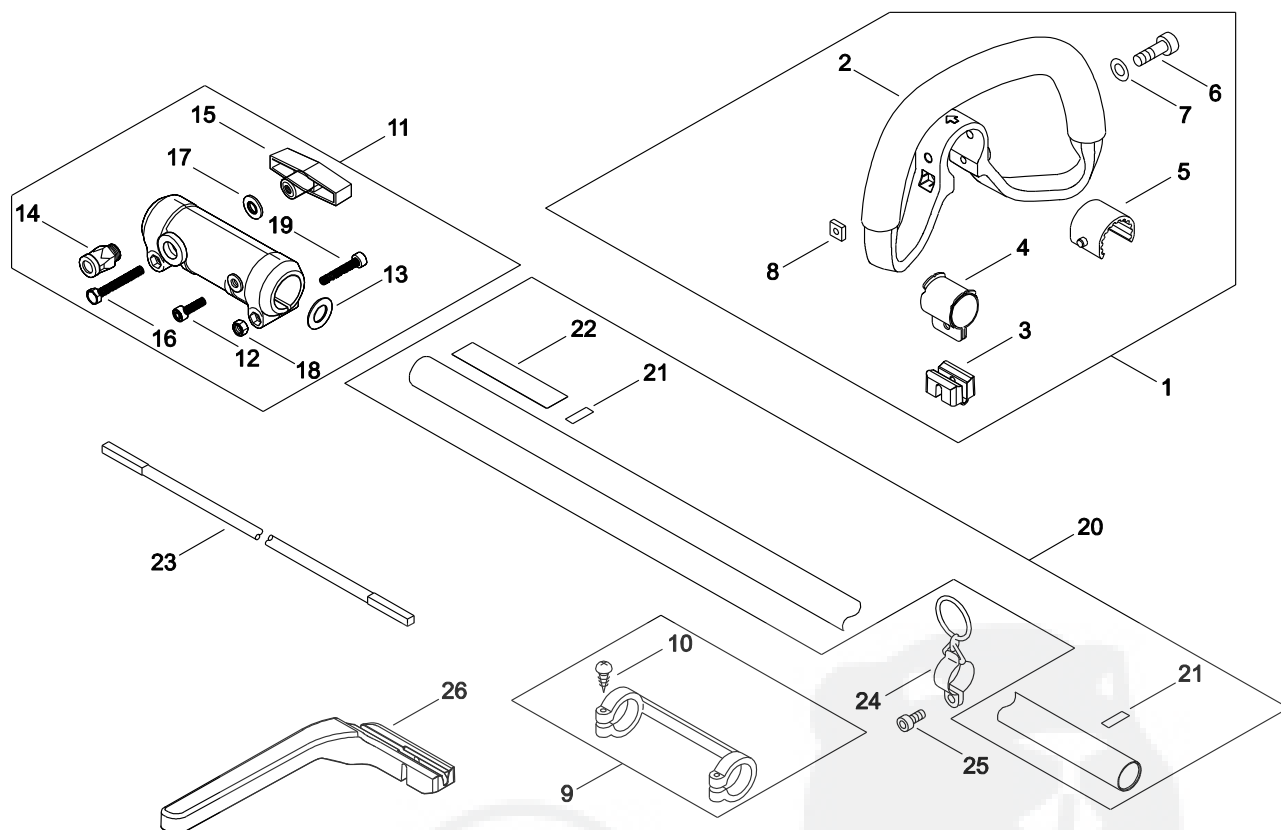
KEY	LV	PART NUMBER	Q'TY	DESCRIPTION	REMARKS	NOTE1	NOTE2
1		A051-000941	1	STARTER,RECOIL			
2	+	P022-037680	1	STARTER CASE			
3	+	177227-42030	1	GUIDE, ROPE			
4	+	P022-022010	1	NUT			
5	+	P022-027980	1	DRUM, STARTER			
6	+	P022-028000	1	PLATE, CAM			
7	+	P022-008270	1	SPRING,DAMPER			
8	+	177220-42030	1	リコイル用ロープ			
9	+	177236-61830	1	SCREW			
10	+	P022-008260	1	ROPE	3M/M		
11	+	177228-27030	1	GRIP, STARTER			
12	+	P022-037670	1	STOPPER, ROPE			
13		A052-000180	1	PULLEY,ASM STARTER			
14	+	P022-006850	2	PAWL, STARTER			
15	+	P022-006510	2	SPRING, RETURN			
16	+	P022-002100	2	E-RING	4		
17		900163-04016	4	BOLT HSH			
18		X502-000330	1	LABEL,ECHO	ECHO		

10. MAIN PIPE



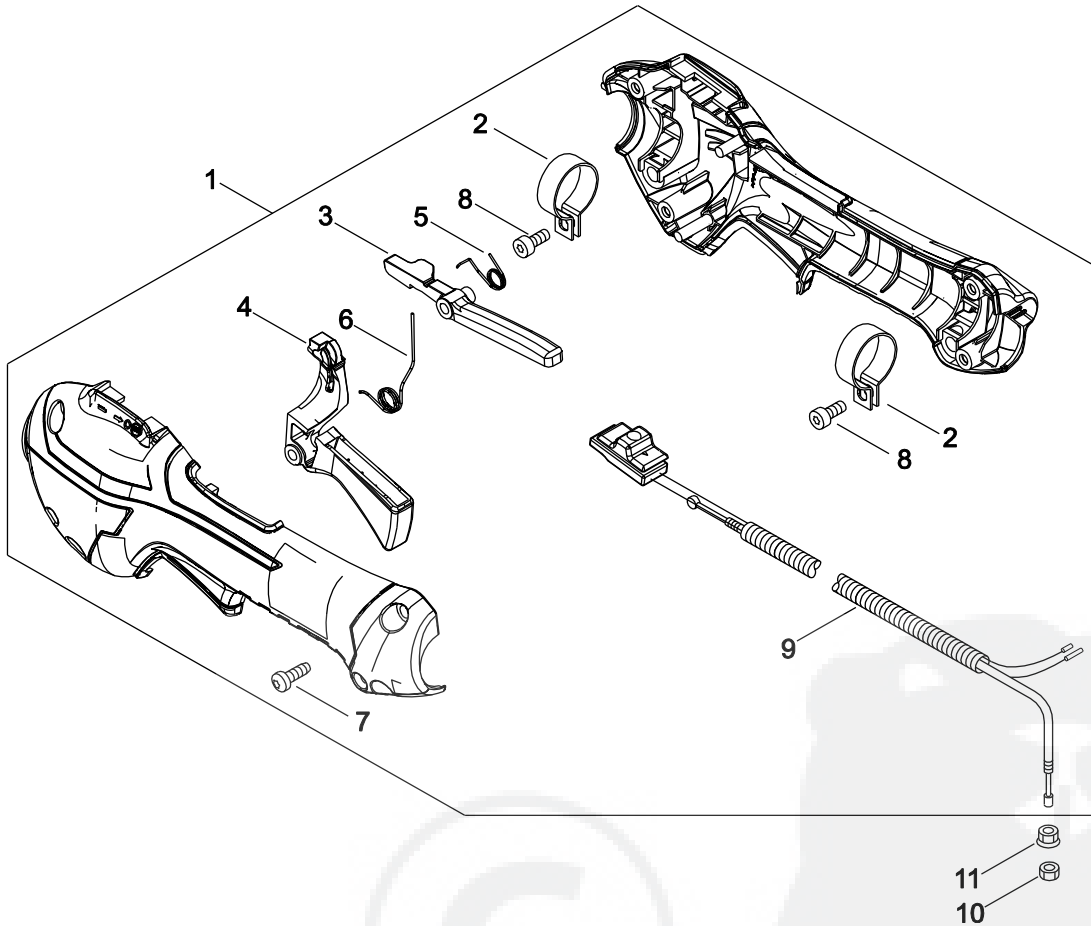
KEY	LV	PART NUMBER	Q'TY	DESCRIPTION	REMARKS	NOTE1	NOTE2
1		P021-048780	1	HANDLE ASY			
2	+	C400-001020	1	HANDLE,FRONT			
3	+	C401-000280	1	PIECE,HANDLE			
4	+	C610-000050	1	FIXTURE, CUSHION			
5	+	V420-003700	1	CUSHION			
6	+	V805-000070	1	BOLT, TORX 5	TB-5*40 10.9		
7	+	900603-00005	1	WASHER 5	5.5*12*0.8		
8	+	V263-000130	1	NUT			
9		610281-54131	1	COLLER			
10	+	900253-04025	2	SCREW 4*25	4*25		
11		C510-000180	1	COUPLING, MAIN PIPE	FINAL COUPLING		
12	+	V805-000130	1	BOLT, TORX 5	TB-5*10 10.9		
13	+	V312-000010	1	WASHER,CIRCULAR 18	18*21.85*.203		
14	+	178302-56630	1	ラッチ ASSY			
15	+	V299-000160	1	KNOB,FASTENER	M6*1.0 INSERT		
16	+	91085-06040	1	BOLT	6*40		
17	+	V304-000040	1	WASHER,CIRCULAR 6	6.6*20*1.6		
18	+	900514-00006	1	NUT 6	6		
19	+	V806-000020	1	BOLT, TORX 6	TB-6*25 10.9		
20		C050-002890	1	PIPE, MAIN	PAS-265ES NO L/H		
21	+	890152-04930	2	LABEL, CAUTION			

10. MAIN PIPE



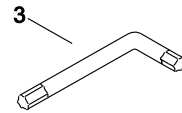
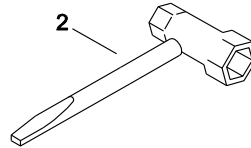
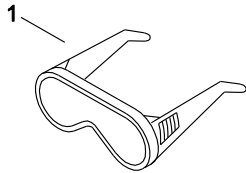
KEY	LV	PART NUMBER	Q'TY	DESCRIPTION	REMARKS	NOTE1	NOTE2
22	+	890617-07660	1	LABEL, CAUTION			
23		C506-000042	1	SHAFT,FLEXIBLE			
24		C646-000060	1	RING, HARNESS	3-PIECE ASM		
25		900100-05012	1	BOLT 5*12	5*12		
26		C405-000420	1	BARRIER			

11. THROTTLE



KEY	LV	PART NUMBER	Q'TY	DESCRIPTION	REMARKS	NOTE1	NOTE2
1		P021-050710	1	GRIP ASY			
2	+	V495-003020	2	BAND			
3	+	C460-000441	1	LOCKOUT, THROTTLE	SRM-225 REDESIGN		
4	+	C453-000482	1	LEVER, THROTTLE	SRM-225 REDESIGN		
5	+	V452-001510	1	SPRING,TORSION	LOCKOUT LEVER		
6	+	V452-001520	1	SPRING,TORSION	THROTTLE LEVER		
7	+	V805-000000	4	BOLT, TORX 5	TT-5*16 DG 10.9		
8	+	V805-000150	2	BOLT, TORX 5	TB-5*16 10.9		
9	+	P021-047700	1	CABLE ASY, CONTROL			
10		900502-00006	1	NUT 6 (3N)	3N6		
11		900518-00006	1	NUT, FLANGE	6		

12. ACCESSORIES



KEY	LV	PART NUMBER	Q'TY	DESCRIPTION	REMARKS	NOTE1	NOTE2
1		X690-000080	1	GOGGLE	SI CHINA, Z87.1		
2		895410-39132	1	WRENCH, W/S-DRIVER			
3		X605-000060	1	TOOL,L WRENCH	80*30 T27 2-ENDS		

Index

Patrs Number	Key No.	Patrs Number	Key No.	Patrs Number	Key No.
100012-16131	1 - 9	900162-05028	4 - 9	C050-002890	10 - 20
100013-35430	1 - 7	900163-04016	4 - 7	C400-001020	10 - 2
100014-53630	1 - 10	900163-04016	9 - 17	C401-000280	10 - 3
100015-03931	1 - 8	900242-05065	5 - 8	C405-000420	10 - 26
100142-12330	3 - 9	900253-04025	10 - 10	C453-000482	11 - 4
100212-42031	2 - 4	900256-05016	1 - 13	C460-000441	11 - 3
100242-42030	2 - 6	900500-00005	8 - 9	C506-000042	10 - 23
125322-07260	6 - 5	900502-00006	11 - 10	C510-000180	10 - 11
125323-08260	6 - 6	900514-00006	10 - 18	C610-000050	10 - 4
125337-08260	6 - 3	900515-00008	3 - 8	C646-000060	10 - 24
125338-13930	6 - 4	900518-00006	11 - 11	P005-000010	6 - 2
125339-42030	6 - 7	900603-00004	3 - 6	P005-000100	6 - 9
125342-52130	6 - 15	900603-00005	7 - 15	P005-000190	6 - 12
125344-13931	6 - 10	900603-00005	10 - 7	P005-000200	6 - 14
125344-52130	6 - 16	900701-00012	4 - 5	P005-000250	6 - 21
129011-52730	5 - 7	900702-00028	4 - 4	P005-000270	6 - 23
131004-55530	7 - 2	900702-00042	4 - 10	P005-000280	6 - 24
131016-55830	7 - 3	91085-06040	10 - 16	P005-000510	6 - 17
131051-56030	7 - 4	91140-05012	1 - 15	P005-000520	6 - 18
132010-40830	7 - 8	91367-04010	8 - 5	P005-001000	6 - 25
132115-55930	7 - 5	92280-05000	8 - 7	P005-001240	6 - 11
145862-40630	8 - 3	94035-36201	2 - 2	P005-001250	6 - 26
156110-04920	3 - 11	94051-06001	4 - 2	P005-001270	6 - 28
156635-43130	2 - 7	A011-000434	1 - 1	P005-001290	6 - 27
159116-21231	2 - 9	A021-001742	5 - 1	P005-001890	6 - 19
162010-04561	3 - 4	A021-001742	6 - 1	P005-001900	6 - 22
175046-56030	4 - 13	A051-000941	9 - 1	P005-002070	6 - 8
175048-05530	4 - 15	A052-000180	9 - 13	P005-002230	6 - 13
175049-56030	4 - 14	A101-000170	1 - 6	P005-003110	6 - 20
177220-42030	9 - 8	A127-000160	2 - 8	P021-009771	1 - 5
177227-42030	9 - 3	A130-000761	1 - 2	P021-010801	2 - 1
177228-27030	9 - 11	A160-000691	1 - 17	P021-011580	8 - 1
177236-61830	9 - 9	A160-000780	1 - 11	P021-013640	7 - 1
178302-56630	10 - 14	A162-000080	1 - 14	P021-046900	4 - 11
610281-54131	10 - 9	A162-000100	1 - 12	P021-047700	11 - 9
610922-55931	4 - 8	A175-000030	7 - 13	P021-048220	4 - 1
890152-04930	10 - 21	A200-000200	5 - 3	P021-048780	10 - 1
890332-52730	5 - 10	A226-001410	5 - 12	P021-049010	5 - 6
890617-07660	10 - 22	A232-000330	5 - 9	P021-050710	11 - 1
895410-39132	12 - 2	A313-000830	8 - 2	P022-002100	9 - 16
900100-05012	10 - 25	A320-000341	8 - 11	P022-006510	9 - 15
900106-05008	1 - 18	A356-000031	7 - 9	P022-006850	9 - 14
900106-05014	1 - 16	A369-000440	7 - 11	P022-008260	9 - 10
900106-05014	8 - 12	A409-001222	3 - 1	P022-008270	9 - 7
900162-05016	2 - 10	A411-000251	3 - 2	P022-022010	9 - 4
900162-05025	1 - 4	A425-000000	3 - 12	P022-027980	9 - 5
900162-05025	5 - 4	A426-000010	3 - 14	P022-028000	9 - 6
900162-05025	7 - 14	A427-000013	3 - 13	P022-037670	9 - 12
900162-05028	2 - 3	A556-000390	4 - 3	P022-037680	9 - 2

Index

Patrs Number	Key No.	Patrs Number	Key No.	Patrs Number	Key No.
V100-000210	1 - 3				
V103-000210	5 - 5				
V103-000270	5 - 2				
V104-000780	8 - 10				
V104-000790	8 - 4				
V135-000030	3 - 10				
V150-001760	8 - 8				
V202-000130	3 - 7				
V203-000120	8 - 6				
V263-000130	10 - 8				
V299-000160	10 - 15				
V299-000250	5 - 11				
V304-000040	10 - 17				
V312-000010	10 - 13				
V322-000031	3 - 5				
V420-003700	10 - 5				
V451-001390	4 - 12				
V452-001510	11 - 5				
V452-001520	11 - 6				
V470-000580	7 - 6				
V471-001180	7 - 7				
V475-003380	3 - 3				
V490-001230	7 - 10				
V490-001240	7 - 12				
V491-000180	4 - 6				
V495-003020	11 - 2				
V505-000050	2 - 5				
V805-000000	11 - 7				
V805-000070	10 - 6				
V805-000130	10 - 12				
V805-000150	11 - 8				
V806-000020	10 - 19				
X502-000330	9 - 18				
X505-008220	1 - 20				
X547-000880	1 - 19				
X605-000060	12 - 3				
X690-000080	12 - 1				

YAMABIKO CORPORATION

7-2 SUEHIROCHO 1-CHOME, OHME, TOKYO 198-8760, JAPAN
PHONE: 81-428-32-6118. FAX: 81-428-32-6145.



ECHO[®]

-14M
No. 64-132