

MTA-3EXT

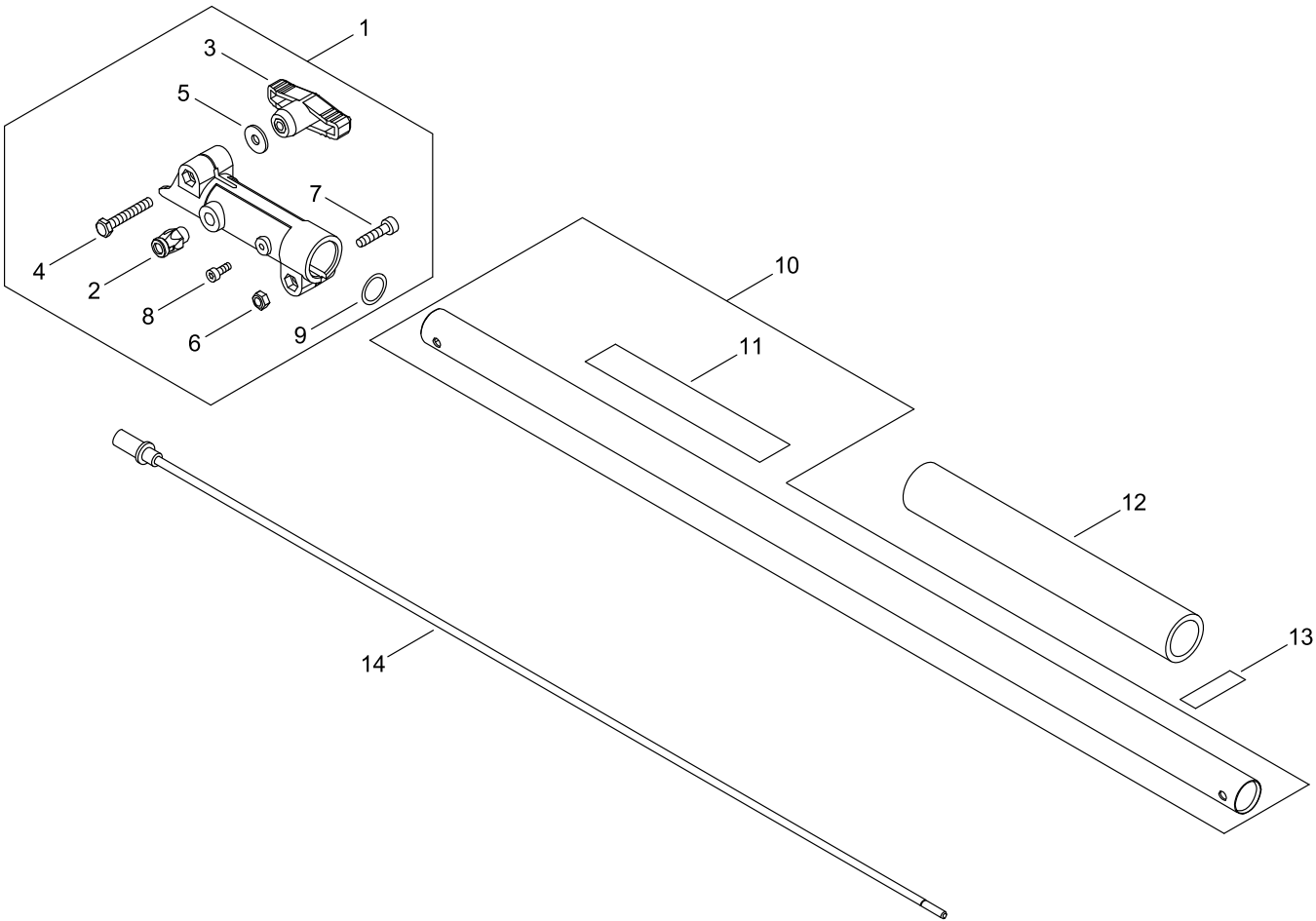
Serial number: 00001001-99999999

Last update date: 01/28/2020

TABLE OF CONTENTS

MAIN PIPE	1
ACCESSORIES	3

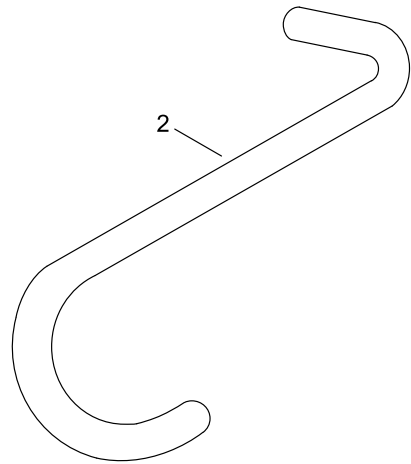
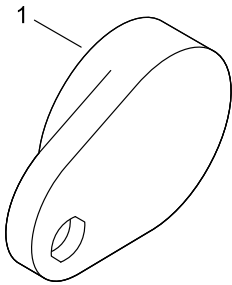
MAIN PIPE



MAIN PIPE

Key No.	LV (+)	Part No	Description	Qty	Standard
1		C510-000330	COUPLING, MAIN PIPE	1	FINAL COUPLING
2	+	P100-005150	LATCH ASY	1	
3	+	V299-000660	KNOB,FASTENER	1	M6X1 WING ASS"Y
4	+	91085-06040	BOLT	1	6*40
5	+	V304-000040	WASHER,CIRCULAR 6	1	6.6*20*1.6
6	+	900514-00006	NUT 6	1	6
7	+	V806-000020	BOLT, TORX 6	1	TB-6*25 10.9
8	+	V805-000130	BOLT, TORX 5	1	TB-5*10 10.9
9	+	V312-000010	WASHER,CIRCULAR 18	1	18*21.85*.203
10		P100-005880	MAIN PIPE ASY	1	
11	+	X505-009810	LABEL,CAUTION	1	3FT EXTENSION
12		351012-54330	GRIP	1	
13		890152-04930	LABEL, CAUTION	1	
14		C506-000540	SHAFT, FLEXIBLE	1	L:37.96" / 964MM

ACCESSORIES



ACCESSORIES

Key No.	LV (+)	Part No	Description	Qty	Standard
1		C525-000012	CAP,MAIN PIPE	1	25MM PIPE
2		C649-000121	HOOK	1	8 DEGREE BEND

NUMERICAL PARTS INDEX

Part No	Part description	Page
351012-54330	GRIP	2
890152-04930	LABEL, CAUTION	2
900514-00006	NUT 6	2
91085-06040	BOLT	2
C506-000540	SHAFT, FLEXIBLE	2
C510-000330	COUPLING, MAIN PIPE	2
C525-000012	CAP,MAIN PIPE	4
C649-000121	HOOK	4
P100-005150	LATCH ASY	2
P100-005880	MAIN PIPE ASY	2
V299-000660	KNOB,FASTENER	2
V304-000040	WASHER,CIRCULAR 6	2
V312-000010	WASHER,CIRCULAR 18	2
V805-000130	BOLT, TORX 5	2
V806-000020	BOLT, TORX 6	2
X505-009810	LABEL,CAUTION	2