

MTA-AH-HD

Serial Number

35001001-99999999

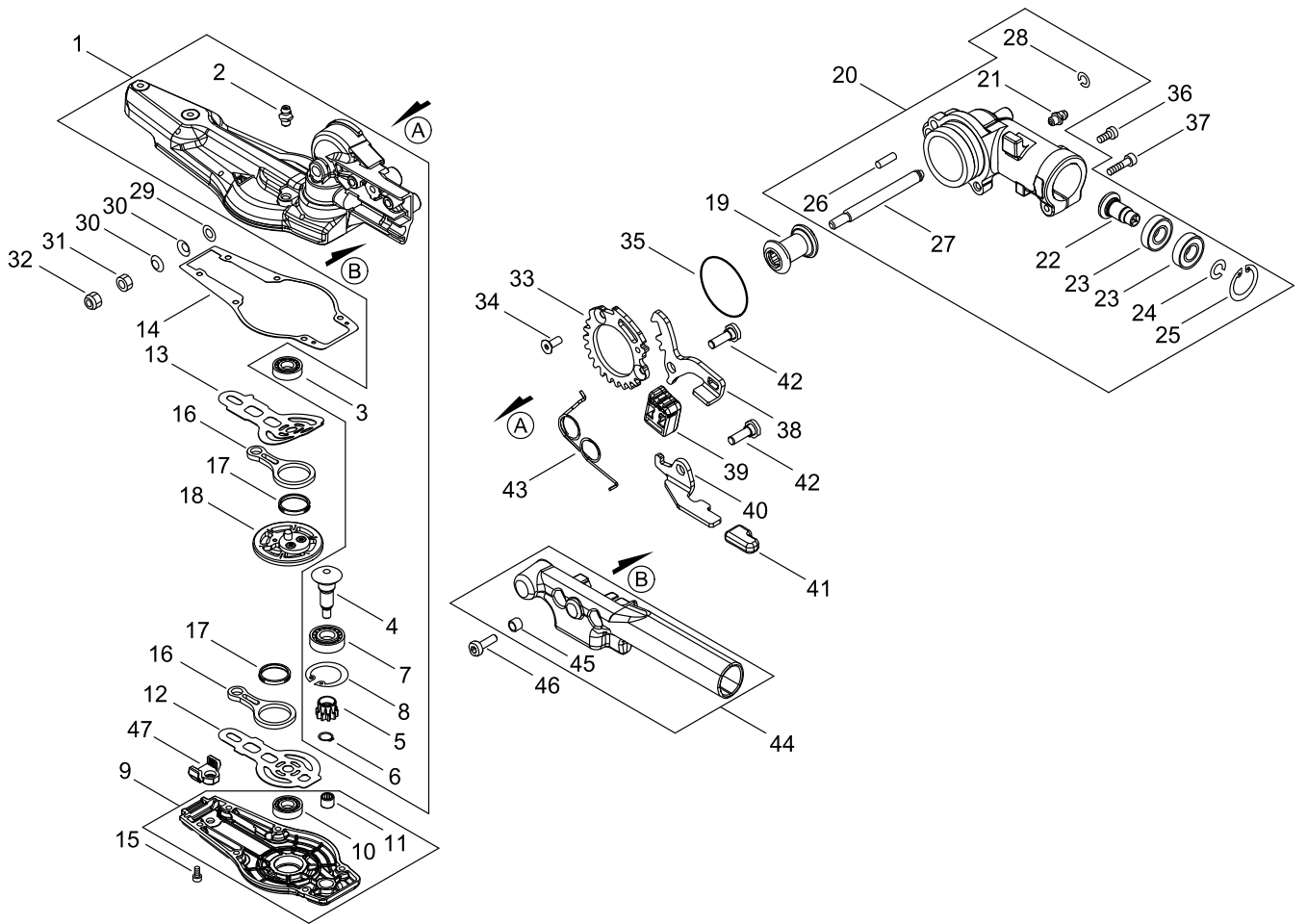
Last updated date

17/Nov/2020

TABLE OF CONTENTS

GEAR CASE	1
CUTTING BLADE	5
MAIN PIPE	7
ACCESSORIES	9

GEAR CASE



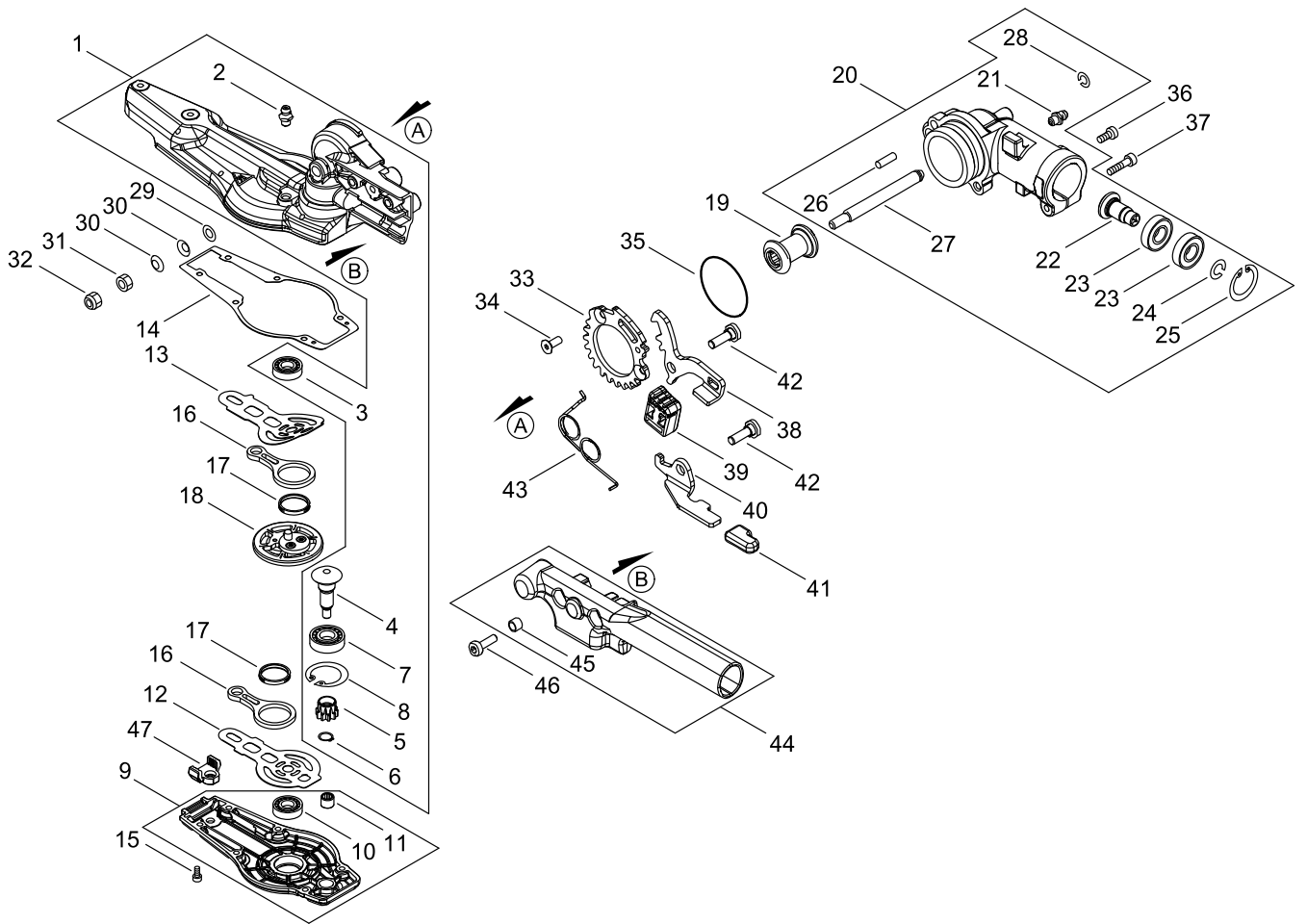
GEAR CASE

Key No.	LV (+)	Parts Number	Parts Description	Qty	Standard	Class
1		P100-003620	CASE,GEAR ASY	1		
2	+	V187-000080	GREASE NIPPLE	1		C
3	+	900800-00608	BEARING, BALL 608	1	608	
4	+	V655-000110	SHAFT,PINION	1		C
5	+	V650-000730	GEAR,SPUR	1		C
6	+	900701-00008	RING, RETAINING(EX)	1	CS-8	
7	+	900800-06001	BEARING, BALL 6001	1	6001	
8	+	900702-00028	CIRCLIP 28	1	CR-28	
9		P100-003630	LID ASY, GEARCASE	1		
10	+	900800-00608	BEARING, BALL 608	1	608	
11	+	V551-000000	BEARING,NEEDLE 6	1	HK0609FM	C
12		V150-004310	PLATE,EYE	1	T0.5	C
13		V150-004320	PLATE,EYE	1	T0.5	C
14		V110-000200	GASKET,GEAR CASE	1	T0.3	A
15		V804-000050	BOLT, TORX 4	6	TB-4*12 10.9	C
16		C532-000530	ROD, CONNECTING	2		C
17		V572-000000	BEARING, NEEDLE	2		C
18		V060-000130	GEAR,SPUR	1		C
19		P100-003640	GEAR,BEVEL	1		
20		P100-005380	CASE,GEAR ASY	1		
21	+	V187-000080	GREASE NIPPLE	1		C
22	+	V651-001100	GEAR,BEVEL	1		D
23	+	900857-06901	BEARING, BALL 6901	2	6901LLU	
24	+	900706-00012	CIRCLIP 12	1	WR-12	
25	+	900702-00024	CIRCLIP 24	1	CR-24	
26	+	V623-000120	PIN,STRAIGHT 5	1	L15.5	C
27	+	C534-001100	SHAFT, GEAR	1		D
28	+	92411-08000	RING	1	WR-8	
29		900603-00006	WASHER 6	1	6.5*13*1	
30		V347-000030	CONE WASHER	2		C
31		900502-00006	NUT 6 (3N)	1	3N6	
32		900560-00006	NUT, LOCK	1	6	
33		C465-000040	RESETTER, LATCH	1		C
34		900175-05012	BOLT, H.S.H	2	5*12	
35		900724-00035	O-RING 35	1	S-35	
36		V805-000130	BOLT, TORX 5	1	TB-5*10 10.9	C
37		V805-000170	BOLT, TORX 5	1	TB-5*25 10.9	C
38		C661-000210	LEVER, RELEASE	1		C
39		V494-001070	CAP	1		C
40		C661-000220	LEVER, RELEASE	1		C
41		V494-000891	CAP	1		C
42		V204-000580	PIN RATCHET	2		C
43		V452-001740	SPRING,TORSION	1		B
44		C403-000880	GRIP, HANDLE	1		C

Class : Consumable class

A:Fast moving parts B:Semi-fast moving parts C:Slow moving parts D:Order only as needed

GEAR CASE



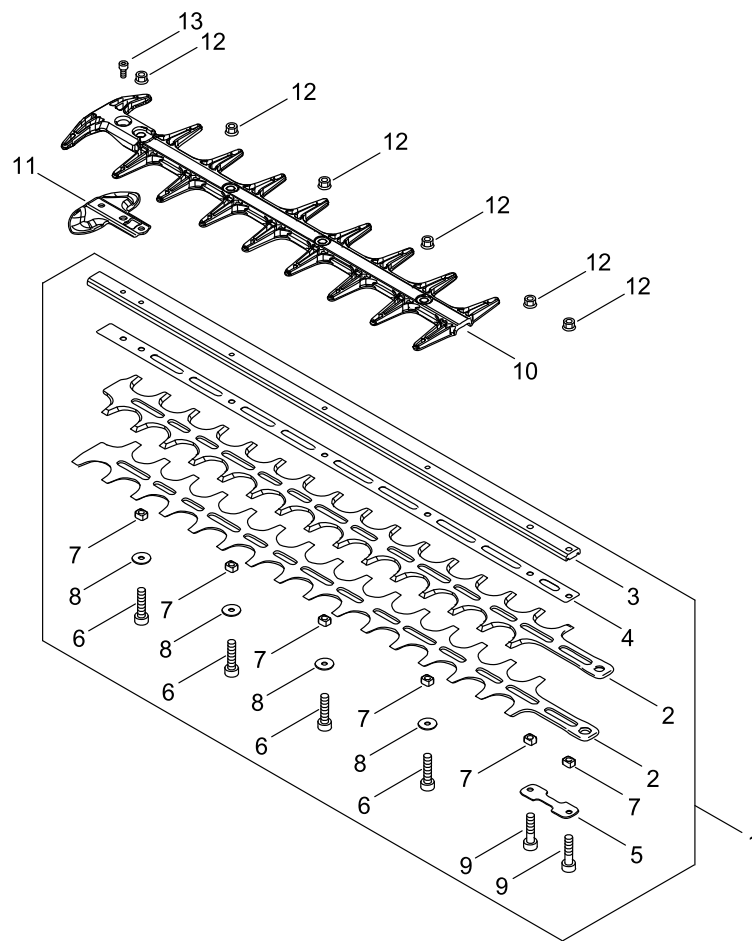
GEAR CASE

Key No.	LV (+)	Parts Number	Parts Description	Qty	Standard	Class
45	+	131045-28230	COLLAR	2		C
46		V805-000150	BOLT, TORX 5	2	TB-5*16 10.9	C
47		V541-000620	SEAL	1		C

Class : Consumable class

A:Fast moving parts B:Semi-fast moving parts C:Slow moving parts D:Order only as needed

CUTTING BLADE



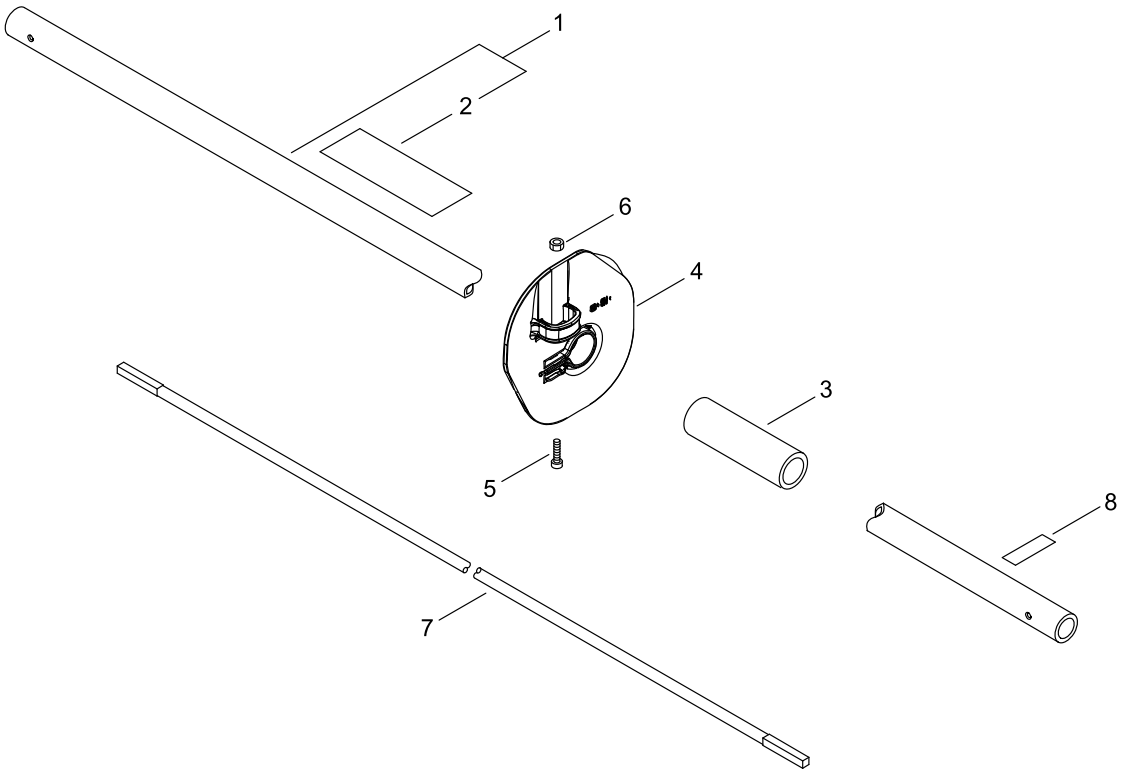
CUTTING BLADE

Key No.	LV (+)	Parts Number	Parts Description	Qty	Standard	Class
1		X041-000630	CUTTER,ASM	1		B
2	+	X411-001360	CUTTER	2		A
3	+	X425-001030	SUPPORT,CUTTER	1		B
4	+	X425-001040	SUPPORT,CUTTER	1		B
5	+	V150-004330	PLATE,EYE	1		C
6	+	V805-000170	BOLT, TORX 5	4	TB-5*25 10.9	C
7	+	V353-000250	COLLAR	6	9*7.45*5.3	C
8	+	V303-000290	WASHER	4		C
9	+	V805-000180	BOLT, TORX 5	2	TB-5*30 12.9	C
10		X431-000250	BLUNT	1		C
11		E278-000311	PROTECTOR	1	NEW-SHC	C
12		92108-05000	NUT, FLANGE	6		
13		V805-000120	BOLT, TORX 5	1	TB-5*8 10.9	C

Class : Consumable class

A:Fast moving parts B:Semi-fast moving parts C:Slow moving parts D:Order only as needed

MAIN PIPE



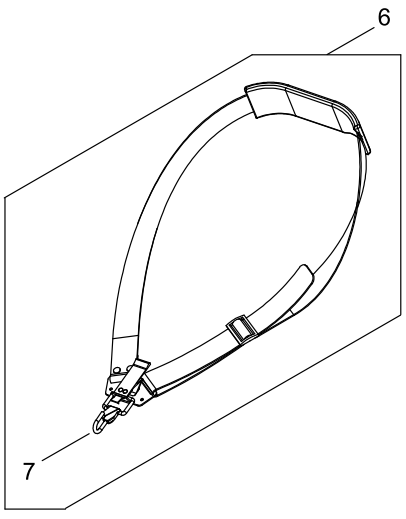
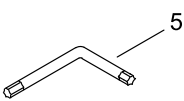
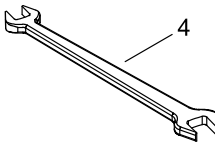
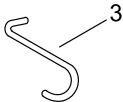
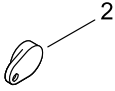
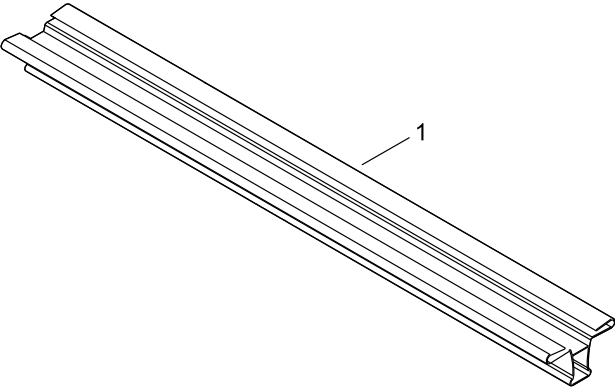
MAIN PIPE

Key No.	LV (+)	Parts Number	Parts Description	Qty	Standard	Class
1		P100-004870	MAIN PIPE ASY	1		
2	+	890617-12361	LABEL, CAUTION	1		D
3		C403-000100	GRIP,HANDLE	1		C
4		C440-000022	GUARD,HAND	1	BLADE HOLD-DOWN	C
5		V805-000160	BOLT, TORX 5	1	TB-5*20 10.9	C
6		900500-00005	NUT 5	1	5	
7		C506-000590	SHAFT, FLEXIBLE	1		B
8		890152-04930	LABEL, CAUTION	1		D

Class : Consumable class

A:Fast moving parts B:Semi-fast moving parts C:Slow moving parts D:Order only as needed

ACCESSORIES



ACCESSORIES

Key No.	LV (+)	Parts Number	Parts Description	Qty	Standard	Class
1		X495-000800	SCABBARD,BLADE	1		D
2		C525-000012	CAP,MAIN PIPE	1	25MM PIPE	D
3		C649-000121	HOOK	1	8 DEGREE BEND	D
4		895112-00330	SPANNER 8*10	1		D
5		X605-000170	TOOL,L WRENCH	1		D
6		C062-000390	STRAP ASSY	1		B
7	+	C649-000200	HOOK	1		D

Class : Consumable class

A:Fast moving parts B:Semi-fast moving parts C:Slow moving parts D:Order only as needed

NUMERICAL PARTS INDEX

Part No	Part description	Page	Part No	Part description	Page
131045-28230	COLLAR	4	V303-000290	WASHER	6
890152-04930	LABEL, CAUTION	8	V347-000030	CONE WASHER	2
890617-12361	LABEL, CAUTION	8	V353-000250	COLLAR	6
895112-00330	SPANNER 8*10	10	V452-001740	SPRING,TORSION	2
900175-05012	BOLT, H.S.H	2	V494-000891	CAP	2
900500-00005	NUT 5	8	V494-001070	CAP	2
900502-00006	NUT 6 (3N)	2	V541-000620	SEAL	4
900560-00006	NUT, LOCK	2	V551-000000	BEARING,NEEDLE 6	2
900603-00006	WASHER 6	2	V572-000000	BEARING, NEEDLE	2
900701-00008	RING, RETAINING(EX)	2	V623-000120	PIN,STRAIGHT 5	2
900702-00024	CIRCLIP 24	2	V650-000730	GEAR,SPUR	2
900702-00028	CIRCLIP 28	2	V651-001100	GEAR,BEVEL	2
900706-00012	CIRCLIP 12	2	V655-000110	SHAFT,PINION	2
900724-00035	O-RING 35	2	V804-000050	BOLT, TORX 4	2
900800-00608	BEARING, BALL 608	2	V805-000120	BOLT, TORX 5	6
900800-06001	BEARING, BALL 6001	2	V805-000130	BOLT, TORX 5	2
900857-06901	BEARING, BALL 6901	2	V805-000150	BOLT, TORX 5	4
92108-05000	NUT, FLANGE	6	V805-000160	BOLT, TORX 5	8
92411-08000	RING	2	V805-000170	BOLT, TORX 5	2
C062-000390	STRAP ASSY	10	V805-000170	BOLT, TORX 5	6
C403-000100	GRIP,HANDLE	8	V805-000180	BOLT, TORX 5	6
C403-000880	GRIP, HANDLE	2	X041-000630	CUTTER,ASM	6
C440-000022	GUARD,HAND	8	X411-001360	CUTTER	6
C465-000040	RESETTER, LATCH	2	X425-001030	SUPPORT,CUTTER	6
C506-000590	SHAFT, FLEXIBLE	8	X425-001040	SUPPORT,CUTTER	6
C525-000012	CAP,MAIN PIPE	10	X431-000250	BLUNT	6
C532-000530	ROD, CONNECTING	2	X495-000800	SCABBARD,BLADE	10
C534-001100	SHAFT, GEAR	2	X605-000170	TOOL,L WRENCH	10
C649-000121	HOOK	10			
C649-000200	HOOK	10			
C661-000210	LEVER, RELEASE	2			
C661-000220	LEVER, RELEASE	2			
E278-000311	PROTECTOR	6			
P100-003620	CASE,GEAR ASY	2			
P100-003630	LID ASY, GEARCASE	2			
P100-003640	GEAR,BEVEL	2			
P100-004870	MAIN PIPE ASY	8			
P100-005380	CASE,GEAR ASY	2			
V060-000130	GEAR,SPUR	2			
V110-000200	GASKET,GEAR CASE	2			
V150-004310	PLATE,EYE	2			
V150-004320	PLATE,EYE	2			
V150-004330	PLATE,EYE	6			
V187-000080	GREASE NIPPLE	2			
V204-000580	PIN RATCHET	2			