

MTA-DAH

Serial Number

35000001-35999999

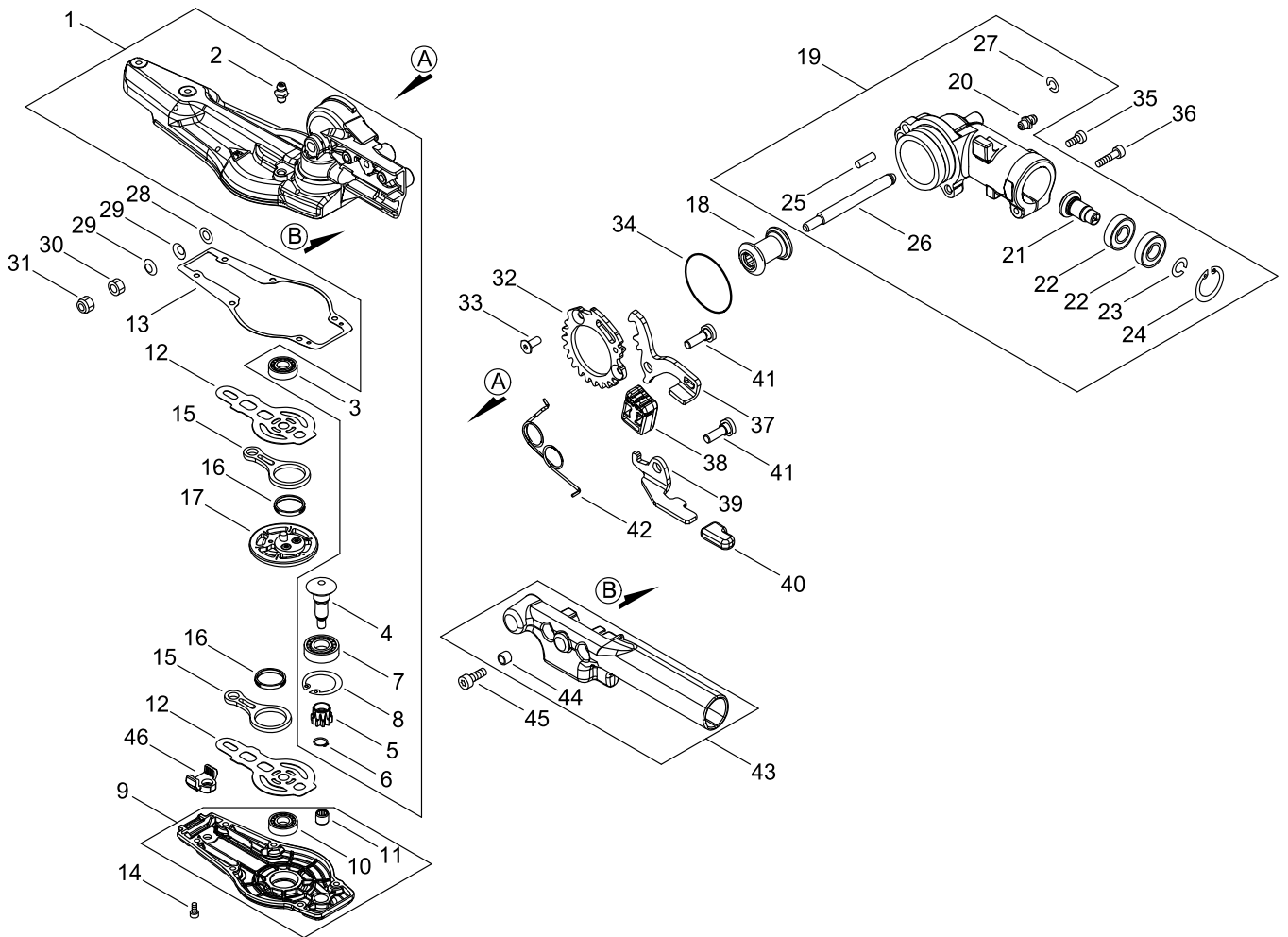
Last updated date

01/Apr/2021

TABLE OF CONTENTS

GEAR CASE	1
CUTTING BLADE	5
MAIN PIPE	7
ACCESSORIES	9

GEAR CASE



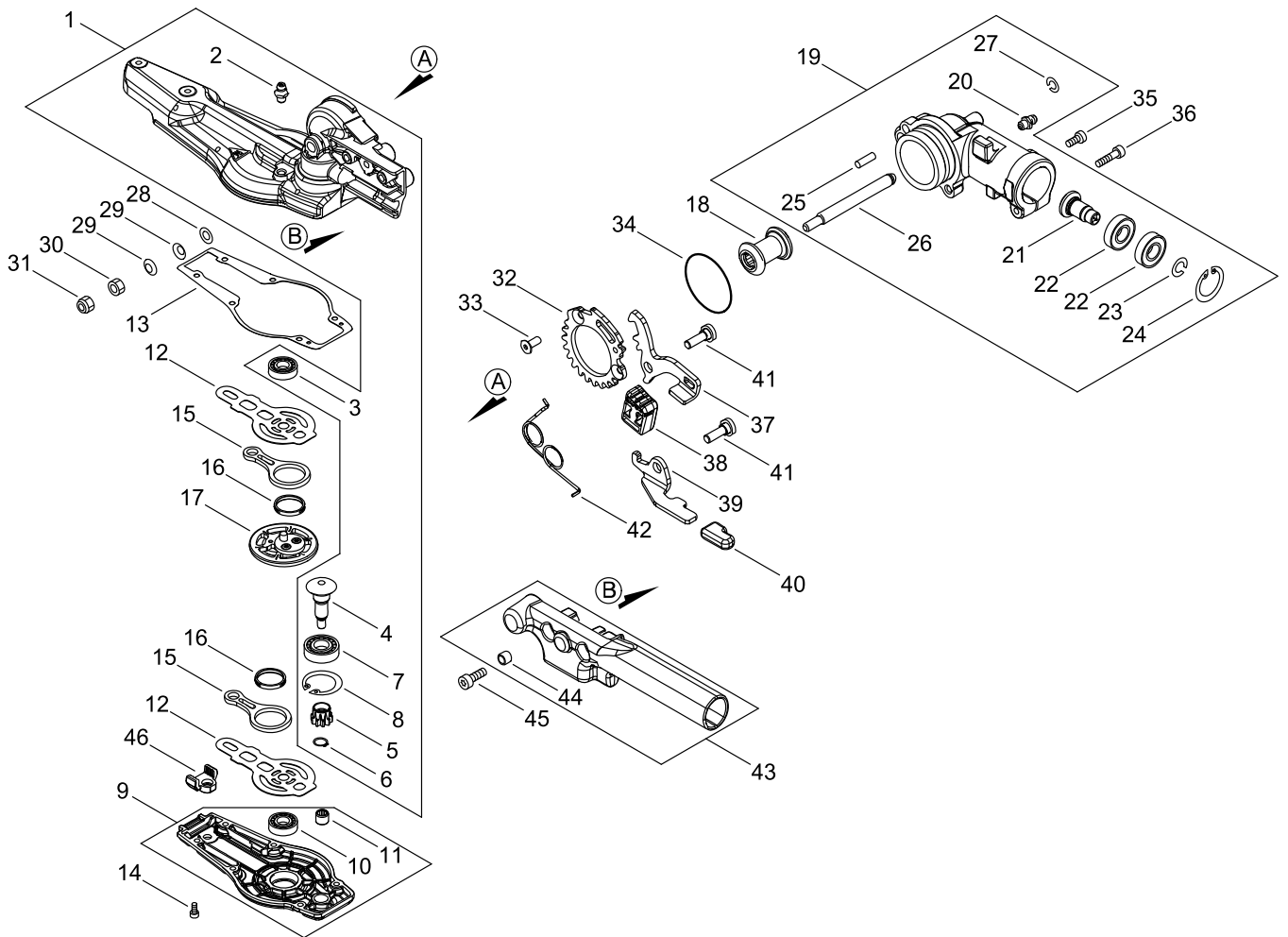
GEAR CASE

Key No.	LV (+)	Parts Number	Parts Description	Qty	Standard	Class
1		P100-003620	CASE,GEAR ASY	1		
2	+	V187-000080	GREASE NIPPLE	1		C
3	+	900800-00608	BEARING, BALL	1	608	
4	+	V655-000110	SHAFT,PINION	1		C
5	+	V650-000730	GEAR,SPUR	1		C
6	+	900701-00008	RETAINING RING	1	CS-8	
7	+	900800-06001	BEARING, BALL	1	6001	
8	+	900702-00028	RETAINING RING	1	CR-28	
9		P100-003631	LID ASY, GEARCASE	1		
10	+	900800-00608	BEARING, BALL	1	608	
11	+	V551-000000	BEARING,NEEDLE 6	1	HK0609FM	C
12		V150-004310	PLATE,EYE	4	T0.5	C
13		V110-000200	GASKET,GEAR CASE	1	T0.3	A
14		V804-000050	BOLT, TORX 4	6	TB-4*12 10.9	C
15		C532-000530	ROD, CONNECTING	2		C
16		V572-000000	BEARING, NEEDLE	2		C
17		V060-000140	GEAR,SPUR	1		C
18		P100-003640	GEAR,BEVEL	1		
19		P100-003791	CASE,GEAR ASY	1		C
20	+	V187-000080	GREASE NIPPLE	1		C
21	+	V651-001100	GEAR,BEVEL	1		D
22	+	900857-06901	BEARING, BALL	2	6901LLU(DDU)	
23	+	900706-00012	RETAINING RING	1	WR-12	
24	+	900702-00024	RETAINING RING	1	CR-24	
25	+	V623-000110	PIN,STRAIGHT 5	1	L19.5	C
26	+	C534-001101	SHAFT, GEAR	1		D
27	+	92411-08000	RETAINING RING	1	WR-8	
28		175014-04630	WASHER, CLUTCH	1		C
29		V347-000030	CONE WASHER	2		C
30		900502-00006	NUT	1	6	
31		900560-00006	NUT, LOCK	1	6	
32		C465-000040	RESETTER, LATCH	1		C
33		900175-05012	BOLT HSH	2	5*12	
34		900724-00035	O-RING	1	S-35	
35		V805-000130	BOLT, TORX 5	1	TB-5*10 10.9	C
36		V805-000170	BOLT, TORX 5	1	TB-5*25 10.9	C
37		C661-000210	LEVER, RELEASE	1		C
38		V494-001070	CAP	1		C
39		C661-000220	LEVER, RELEASE	1		C
40		V494-000891	CAP	1		C
41		V204-000580	BOLT,6	2		C
42		V452-001740	SPRING,TORSION	1		B
43		C403-000880	GRIP, HANDLE	1		C
44	+	131045-28230	COLLAR	2		C

Class : Consumable class

A:Fast moving parts B:Semi-fast moving parts C:Slow moving parts D:Order only as needed

GEAR CASE



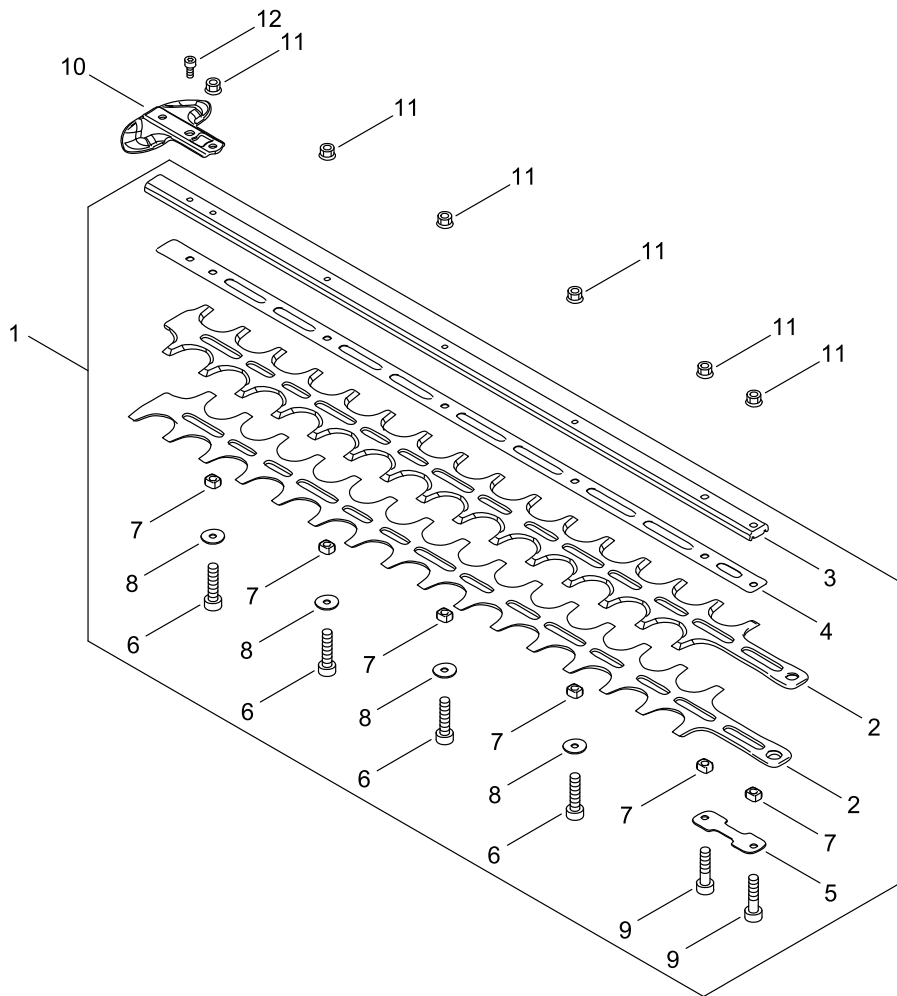
GEAR CASE

Key No.	LV (+)	Parts Number	Parts Description	Qty	Standard	Class
45		V805-000150	BOLT, TORX 5	2	TB-5*16 10.9	C
46		V541-000620	SEAL	1		C

Class : Consumable class

A:Fast moving parts B:Semi-fast moving parts C:Slow moving parts D:Order only as needed

CUTTING BLADE



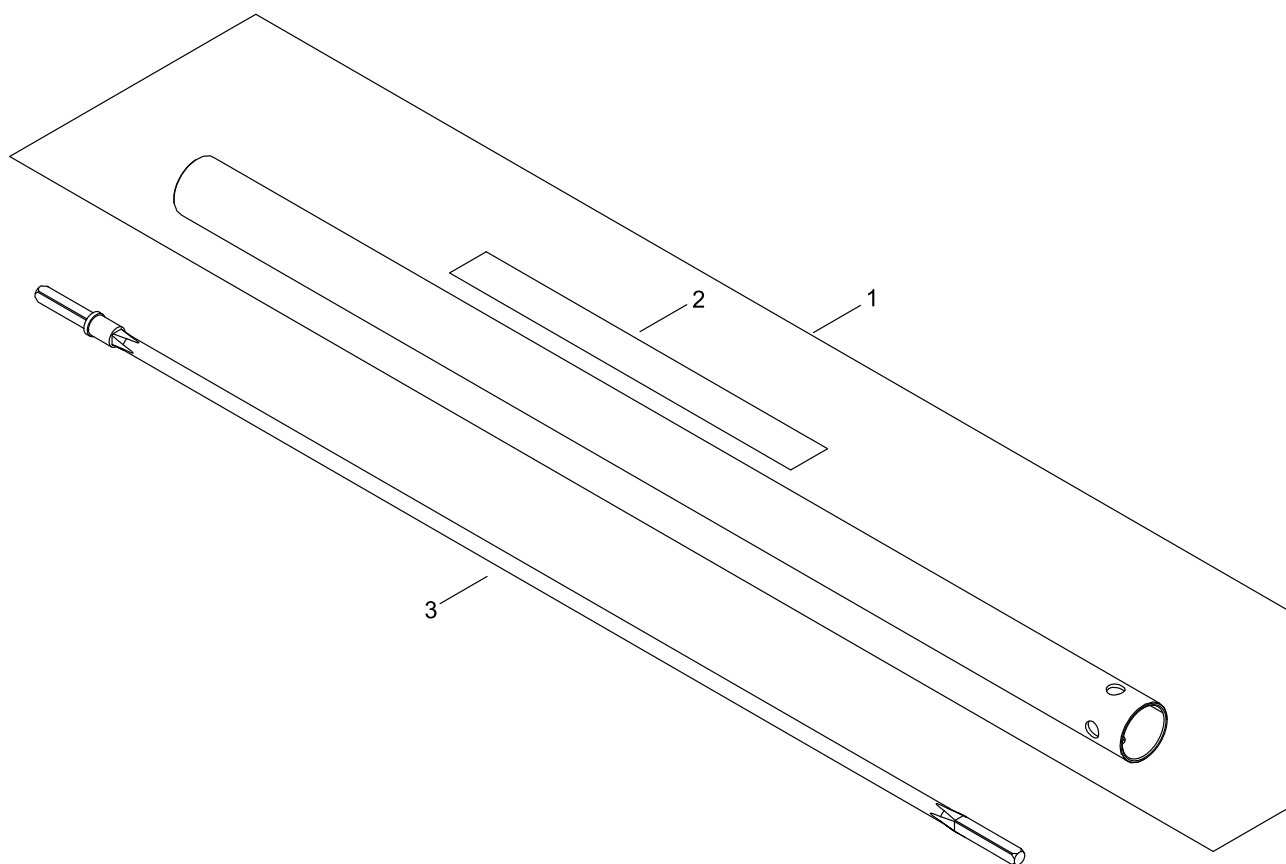
CUTTING BLADE

Key No.	LV (+)	Parts Number	Parts Description	Qty	Standard	Class
1		X041-000680	CUTTER,ASM	1		B
2	+	X411-001370	CUTTER	2		A
3	+	X425-001030	SUPPORT,CUTTER	1		B
4	+	X425-001040	SUPPORT,CUTTER	1		B
5	+	V150-004330	PLATE,EYE	2		C
6	+	V805-000160	BOLT, TORX 5	4	TB-5*20 10.9	C
7	+	V353-000730	COLLAR,5	6	9*7.45*4.3	C
8	+	V303-000290	WASHER	4		C
9	+	V805-000180	BOLT, TORX 5	2	TB-5*30 12.9	C
10		E278-000311	PROTECTOR	1	NEW-SHC	C
11		92108-05000	NUT, FLANGE	6	5	
12		V805-000120	BOLT, TORX 5	1	TB-5*8 10.9	C

Class : Consumable class

A:Fast moving parts B:Semi-fast moving parts C:Slow moving parts D:Order only as needed

MAIN PIPE



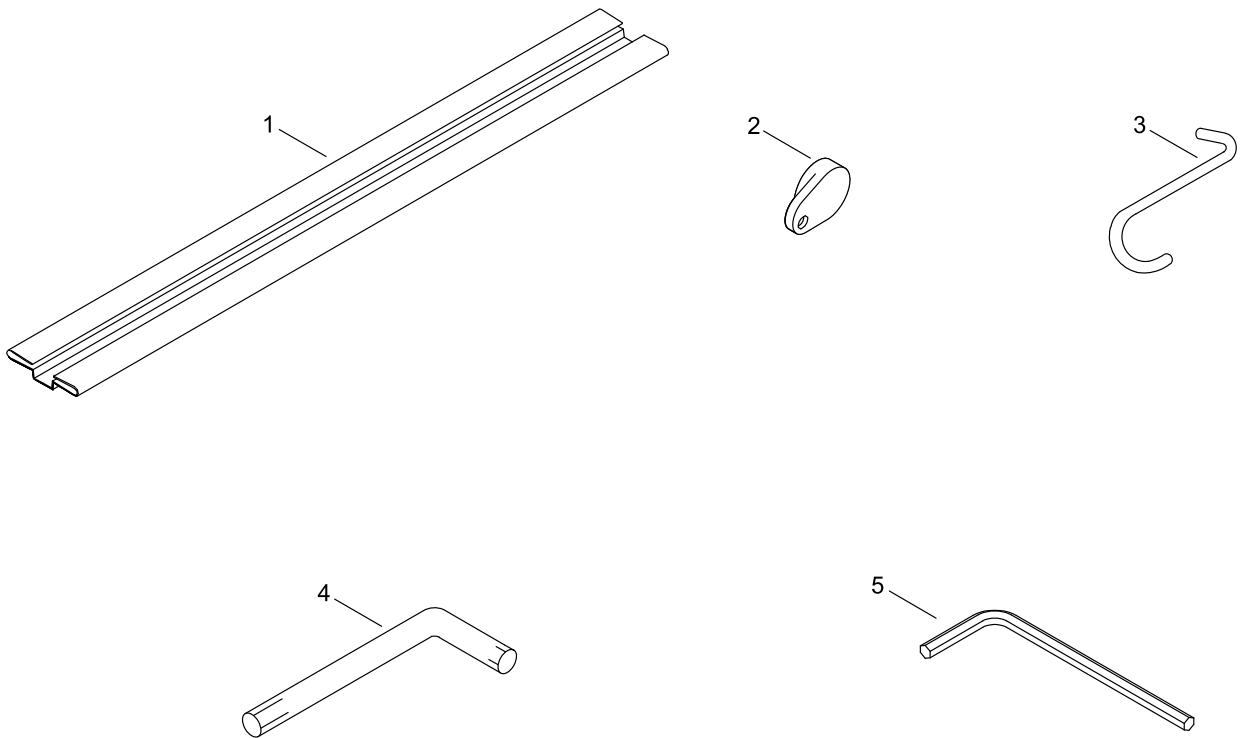
MAIN PIPE

Key No.	LV (+)	Parts Number	Parts Description	Qty	Standard	Class
1		P100-011050	MAIN PIPE ASY	1		
2	+	X505-011610	LABEL,CAUTION	1		
3		C506-000650	SHAFT, FLEXIBLE	1		

Class : Consumable class

A:Fast moving parts B:Semi-fast moving parts C:Slow moving parts D:Order only as needed

ACCESSORIES



ACCESSORIES

Key No.	LV (+)	Parts Number	Parts Description	Qty	Standard	Class
1		X495-000540	SCABBARD,BLADE	1	L585	D
2		C525-000012	CAP,MAIN PIPE	1	25MM PIPE	D
3		C649-000121	HOOK	1	8 DEGREE BEND	D
4		X605-000170	TOOL,L WRENCH	1		D
5		895112-00330	SPANNER 8*10	1		D

Class : Consumable class

A:Fast moving parts B:Semi-fast moving parts C:Slow moving parts D:Order only as needed

NUMERICAL PARTS INDEX

Part No	Part description	Page	Part No	Part description	Page
131045-28230	COLLAR	2	V572-000000	BEARING, NEEDLE	2
175014-04630	WASHER, CLUTCH	2	V623-000110	PIN, STRAIGHT 5	2
895112-00330	SPANNER 8*10	10	V650-000730	GEAR, SPUR	2
900175-05012	BOLT HSH	2	V651-001100	GEAR, BEVEL	2
900502-00006	NUT	2	V655-000110	SHAFT, PINION	2
900560-00006	NUT, LOCK	2	V804-000050	BOLT, TORX 4	2
900701-00008	RETAINING RING	2	V805-000120	BOLT, TORX 5	6
900702-00024	RETAINING RING	2	V805-000130	BOLT, TORX 5	2
900702-00028	RETAINING RING	2	V805-000150	BOLT, TORX 5	4
900706-00012	RETAINING RING	2	V805-000160	BOLT, TORX 5	6
900724-00035	O-RING	2	V805-000170	BOLT, TORX 5	2
900800-00608	BEARING, BALL	2	V805-000180	BOLT, TORX 5	6
900800-06001	BEARING, BALL	2	X041-000680	CUTTER, ASM	6
900857-06901	BEARING, BALL	2	X411-001370	CUTTER	6
92108-05000	NUT, FLANGE	6	X425-001030	SUPPORT, CUTTER	6
92411-08000	RETAINING RING	2	X425-001040	SUPPORT, CUTTER	6
C403-000880	GRIP, HANDLE	2	X495-000540	SCABBARD, BLADE	10
C465-000040	RESETTER, LATCH	2	X505-011610	LABEL, CAUTION	8
C506-000650	SHAFT, FLEXIBLE	8	X605-000170	TOOL, L WRENCH	10
C525-000012	CAP, MAIN PIPE	10			
C532-000530	ROD, CONNECTING	2			
C534-001101	SHAFT, GEAR	2			
C649-000121	HOOK	10			
C661-000210	LEVER, RELEASE	2			
C661-000220	LEVER, RELEASE	2			
E278-000311	PROTECTOR	6			
P100-003620	CASE, GEAR ASY	2			
P100-003631	LID ASY, GEARCASE	2			
P100-003640	GEAR, BEVEL	2			
P100-003791	CASE, GEAR ASY	2			
P100-011050	MAIN PIPE ASY	8			
V060-000140	GEAR, SPUR	2			
V110-000200	GASKET, GEAR CASE	2			
V150-004310	PLATE, EYE	2			
V150-004330	PLATE, EYE	6			
V187-000080	GREASE NIPPLE	2			
V204-000580	BOLT, 6	2			
V303-000290	WASHER	6			
V347-000030	CONE WASHER	2			
V353-000730	COLLAR, 5	6			
V452-001740	SPRING, TORSION	2			
V494-000891	CAP	2			
V494-001070	CAP	2			
V541-000620	SEAL	4			
V551-000000	BEARING, NEEDLE 6	2			