

# MTA-DTB

Serial Number

35000001-35999999

Last updated date

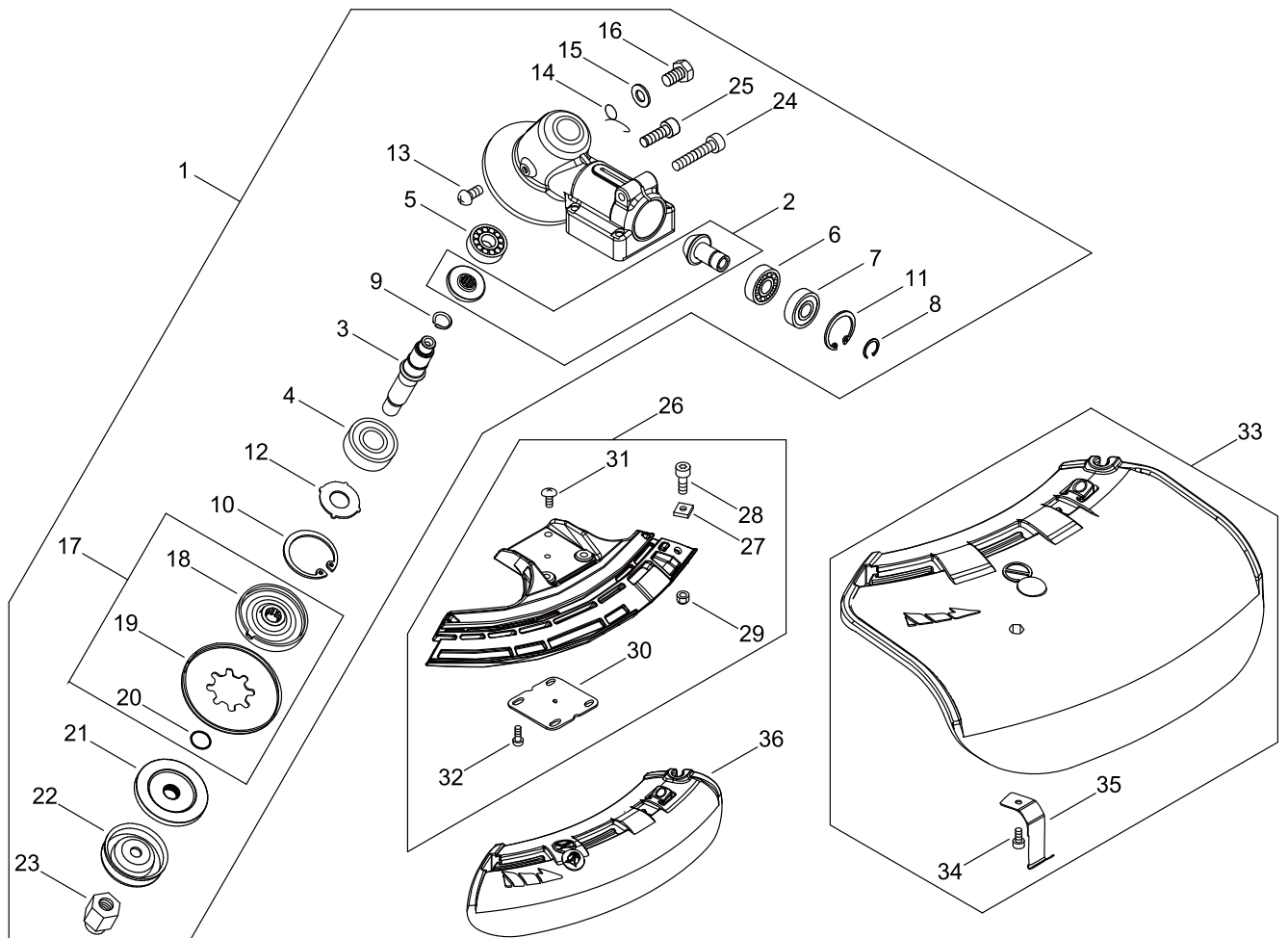
15/Apr/2021

## TABLE OF CONTENTS

---

GEAR CASE, SHIELD .....	1
MAIN PIPE .....	3
ACCESSORIES .....	5

# GEAR CASE, SHIELD



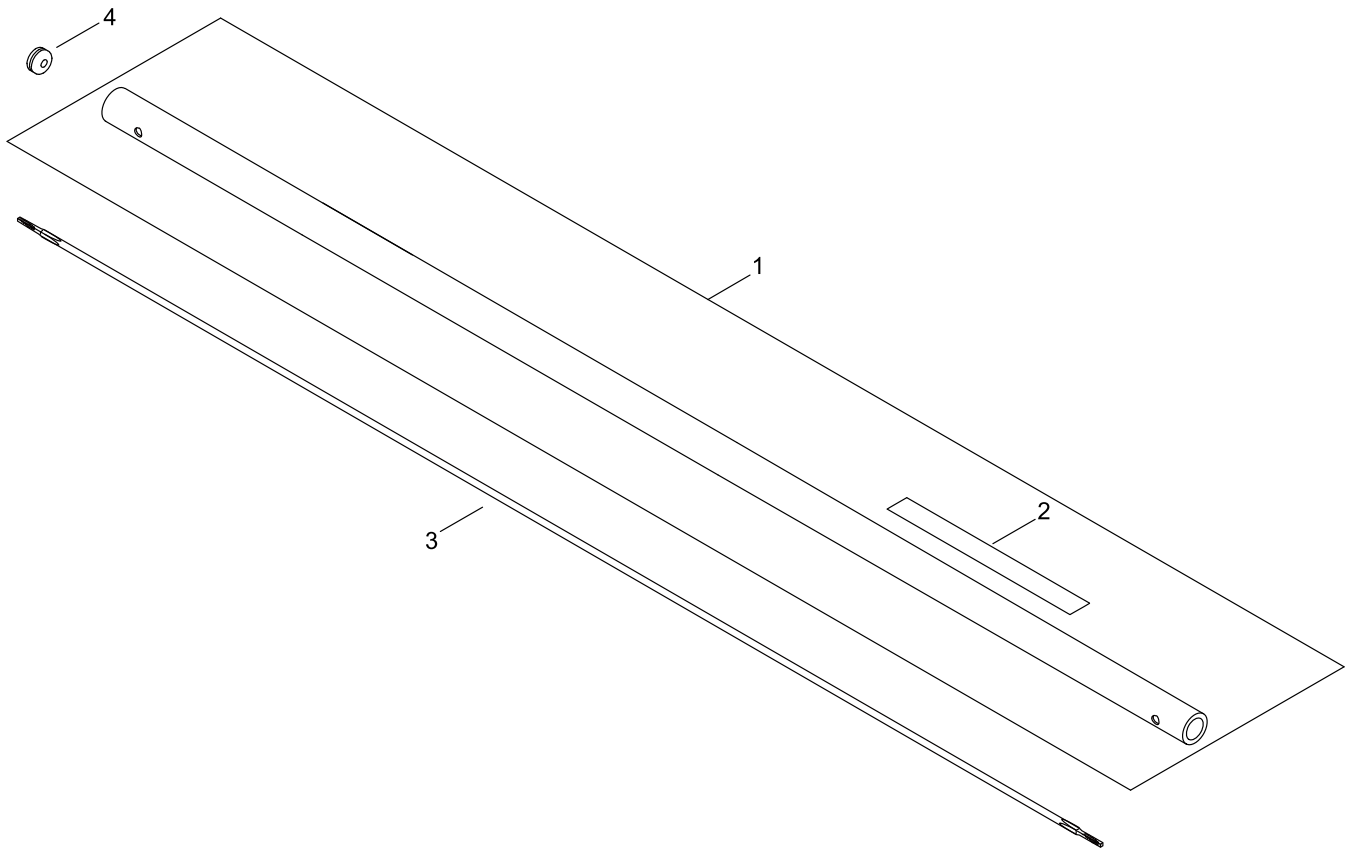
## GEAR CASE, SHIELD

Key No.	LV (+)	Parts Number	Parts Description	Qty	Standard	Class
1		P100-011080	CASE ASY, GEAR	1		
2	+	V000-000250	GEAR SET, BEVEL	1		D
3	+	C534-001080	SHAFT, GEAR	1		D
4	+	900812-06201	BEARING, BALL	1	6201LLU(DDU)	
5	+	94110-00629	BEARING, BALL	1	629	
6	+	94110-00609	BEARING, BALL	1	609	
7	+	94111-00609	BEARING, BALL	1	609Z	
8	+	900701-00009	RETAINING RING	1	CS-9	
9	+	900706-00012	RETAINING RING	1	WR-12	
10	+	900702-00032	RETAINING RING	1	CR-32	
11	+	900702-00025	RETAINING RING	1	CR-25	
12	+	V340-000180	WASHER	1		C
13	+	900220-04006	SCREW	1	4*6	
14	+	V452-001310	SPRING,TORSION	1		B
15	+	900603-50008	WASHER	1	8.5*18*0.8T	C
16	+	610434-50031	BOLT 8* 8	1	M8*8	C
17	+	P100-009780	FIXTURE, BLADE SET	1		
18	++	610313-52132	FIXTURE,BLADE	1		C
19	++	610352-56830	PLATE, CUP	1		C
20	++	900720-00012	O-RING	1	P-12	
21	+	610314-52130	PLATE, ADAPTER (L)	1		C
22	+	699229-56830	PLATE, COVER	1		C
23	+	610320-52130	NUT 10	1		C
24	+	V806-000020	BOLT, TORX 6	1	TB-6*25 10.9	C
25	+	V805-000130	BOLT, TORX 5	1	TB-5*10 10.9	C
26		P100-010520	SHIELD ASY	1		B
27	+	900565-00005	NUT, SQUARE	1	5	
28	+	V805-000170	BOLT, TORX 5	1	TB-5*25 10.9	C
29	+	900562-00005	NUT, LOCK	1	5	
30	+	C552-000200	PLATE, SHIELD	1		D
31	+	91316-04010	SCREW	1	4*10	
32	+	V805-000260	BOLT, TORX 5	4	TB5*25 10.9	C
33		P100-010830	SHIELD ASY	1		B
34	+	V805-000150	BOLT, TORX 5	1	TB-5*16 10.9	C
35	+	C554-000090	KNIFE, CORD	1	16INCH	B
36		C550-000551	SHIELD,BLADE	1		B

Class : Consumable class

A:Fast moving parts B:Semi-fast moving parts C:Slow moving parts D:Order only as needed

# MAIN PIPE



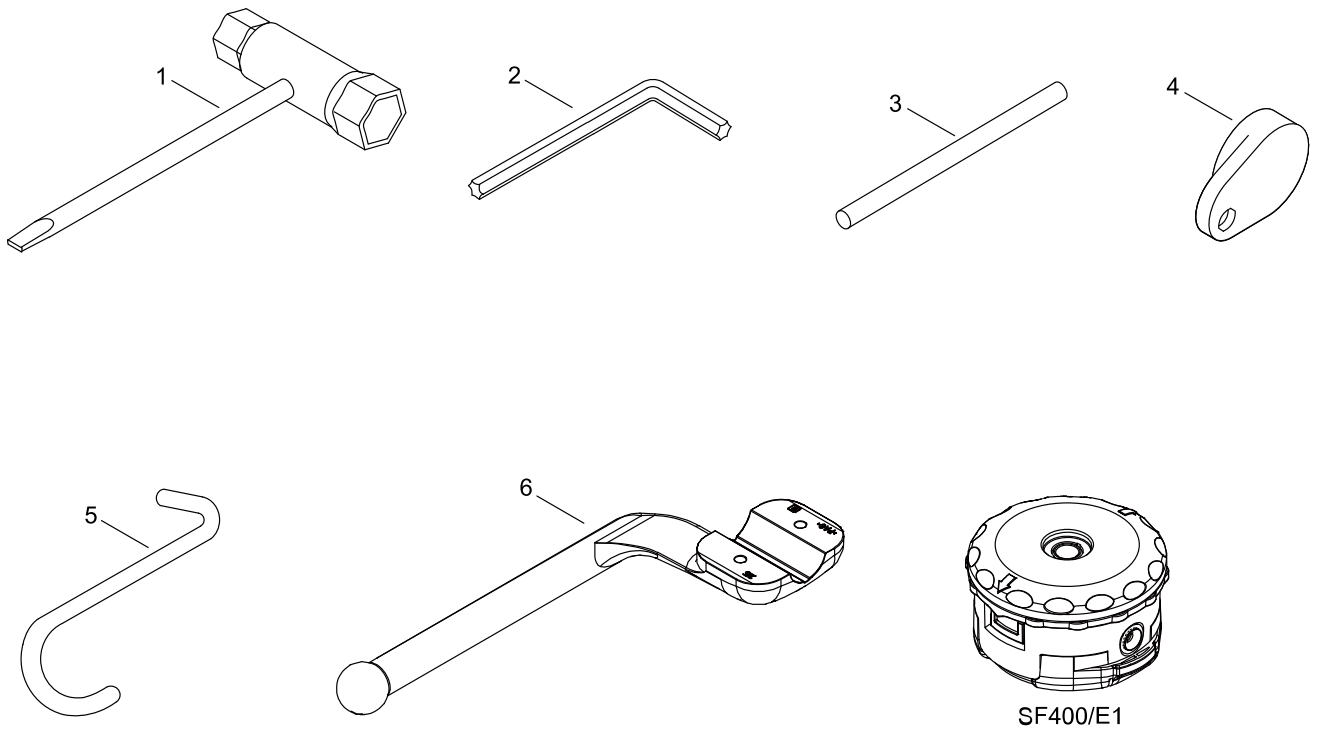
## MAIN PIPE

Key No.	LV (+)	Parts Number	Parts Description	Qty	Standard	Class
1		P100-011090	MAIN PIPE ASY	1		
2	+	X505-011600	LABEL,CAUTION	1	SHAFT CAUTION	D
3		C504-001500	SHAFT, DRIVE	1	6*754	
4		V145-000800	GROMMET,CIRCULAR	1	5*15*7.5	C

Class : Consumable class

A:Fast moving parts B:Semi-fast moving parts C:Slow moving parts D:Order only as needed

# ACCESSORIES



## ACCESSORIES

Key No.	LV (+)	Parts Number	Parts Description	Qty	Standard	Class
1		X602-000020	TOOL,WRENCH	1	17*19 L200	D
2		X605-000170	TOOL,L WRENCH	1		D
3		X606-000080	TOOL,BAR	1	5*120	D
4		C525-000012	CAP,MAIN PIPE	1	25MM PIPE	D
5		C649-000121	HOOK	1	8 DEGREE BEND	D
6		C405-000170	BRACKET,HANDLE	1	BARRIER BAR	C

Class : Consumable class

A:Fast moving parts B:Semi-fast moving parts C:Slow moving parts D:Order only as needed



# NUMERICAL PARTS INDEX

Part No	Part description	Page	Part No	Part description	Page
610313-52132	FIXTURE,BLADE	2	X606-000080	TOOL,BAR	6
610314-52130	PLATE, ADAPTER (L)	2			
610320-52130	NUT 10	2			
610352-56830	PLATE, CUP	2			
610434-50031	BOLT 8* 8	2			
699229-56830	PLATE, COVER	2			
900220-04006	SCREW	2			
900562-00005	NUT, LOCK	2			
900565-00005	NUT, SQUARE	2			
900603-50008	WASHER	2			
900701-00009	RETAINING RING	2			
900702-00025	RETAINING RING	2			
900702-00032	RETAINING RING	2			
900706-00012	RETAINING RING	2			
900720-00012	O-RING	2			
900812-06201	BEARING, BALL	2			
91316-04010	SCREW	2			
94110-00609	BEARING, BALL	2			
94110-00629	BEARING, BALL	2			
94111-00609	BEARING, BALL	2			
C405-000170	BRACKET,HANDLE	6			
C504-001500	SHAFT, DRIVE	4			
C525-000012	CAP,MAIN PIPE	6			
C534-001080	SHAFT, GEAR	2			
C550-000551	SHIELD,BLADE	2			
C552-000200	PLATE, SHIELD	2			
C554-000090	KNIFE, CORD	2			
C649-000121	HOOK	6			
P100-009780	FIXTURE, BLADE SET	2			
P100-010520	SHIELD ASY	2			
P100-010830	SHIELD ASY	2			
P100-011080	CASE ASY, GEAR	2			
P100-011090	MAIN PIPE ASY	4			
V000-000250	GEAR SET, BEVEL	2			
V145-000800	GROMMET,CIRCULAR	4			
V340-000180	WASHER	2			
V452-001310	SPRING,TORSION	2			
V805-000130	BOLT, TORX 5	2			
V805-000150	BOLT, TORX 5	2			
V805-000170	BOLT, TORX 5	2			
V805-000260	BOLT, TORX 5	2			
V806-000020	BOLT, TORX 6	2			
X505-011600	LABEL,CAUTION	4			
X602-000020	TOOL,WRENCH	6			
X605-000170	TOOL,L WRENCH	6			