



PARTS CATALOG

ENGINE

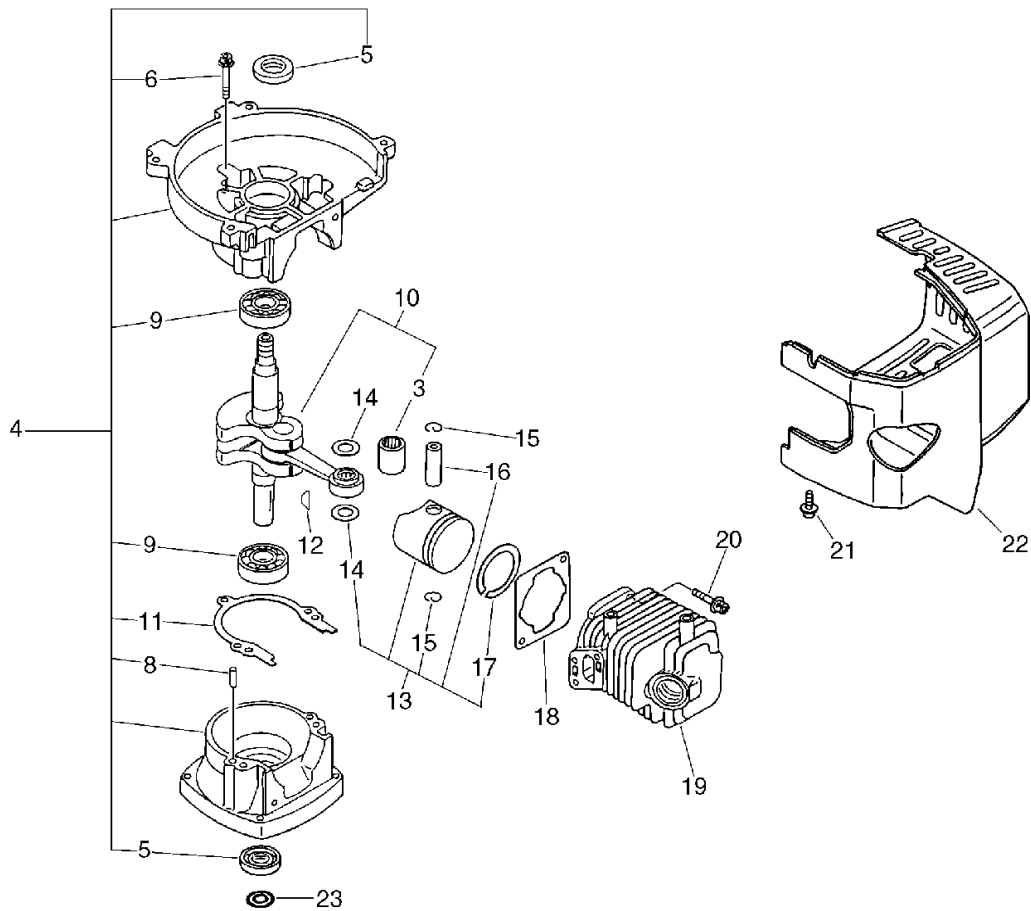
SV-4(SrNr 128538 and before)



SV-4(SrNr 128538 and before)

1. Cylinder, Crankcase, Piston

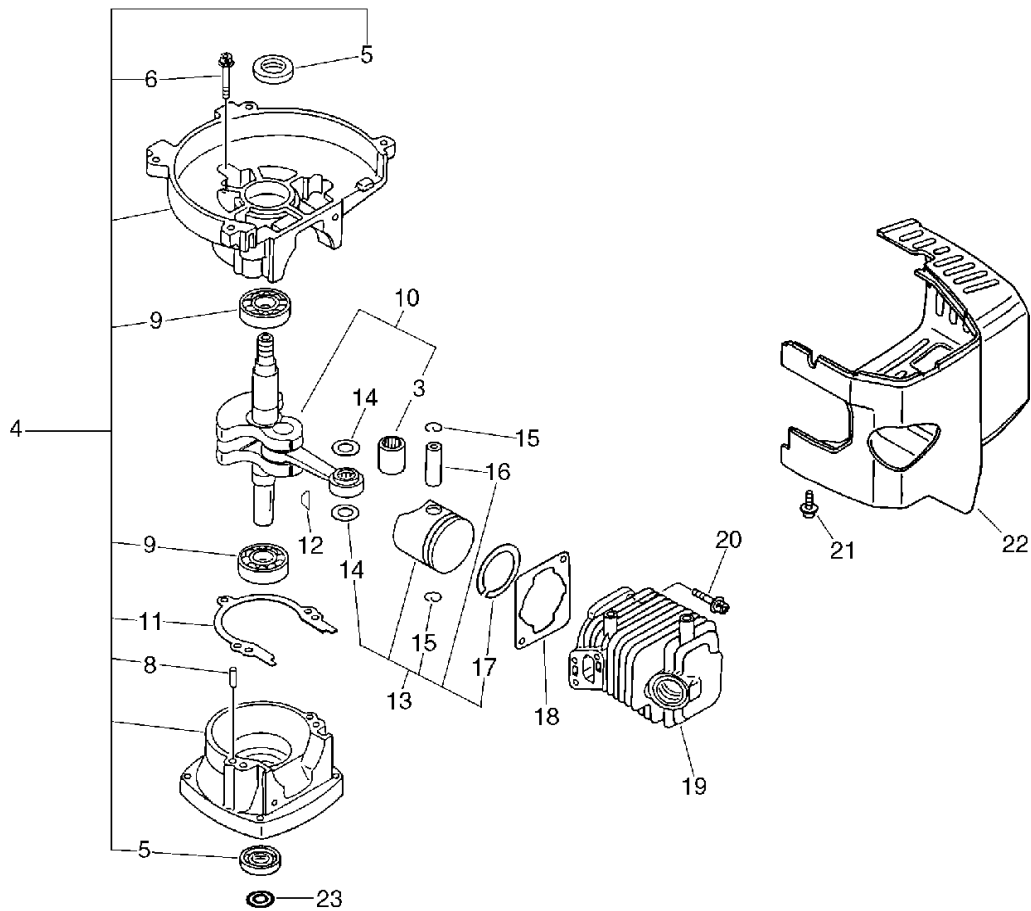
No.1



| KEY | LV | PART NUMBER | Q'TY | DESCRIPTION | REMARKS | NOTE1 | NOTE2 |
|-----|----|--------------|------|--------------------|----------------|----------------------|-------|
| 4 | | 100204-11520 | 1 | CRANKCASE KIT | | Sus. by 100204-11521 | |
| 4 | | 100204-11521 | 1 | CRANKCASE KIT | | | |
| 5 | + | 100212-42030 | 2 | OILSEAL | ISCD12*22*4.5 | Sus. by 100212-42031 | |
| 5 | + | 100212-42031 | 2 | OILSEAL | ISCD 12*22*4.5 | | |
| 6 | + | 900162-05028 | 3 | BOLT, H.S. 5*28 | 5*28 W,SW | | |
| 8 | + | 100215-03930 | 2 | PIN, DOWEL | | | |
| 9 | + | 900810-36201 | 2 | BEARING, BALL 6201 | 6201/C3 | Sus. by 94035-36201 | |
| 9 | + | 94035-36201 | 2 | BEARING BALL | 6201X3JR2C3 | | |
| 11 | + | 100242-42030 | 1 | GASKET, CRANKCASE | | | |
| 10 | | 100100-11521 | 1 | CRANKSHAFT ASSY | | Sus. by 100100-13121 | |
| 10 | | 100100-11522 | 1 | CRANKSHAFT | | Sus. by 100100-13121 | |
| 10 | | 100100-13121 | 1 | CRANKSHAFT | | | |
| 3 | + | 100012-51230 | 1 | BEARING, NEEDLE | 8*12*10 | Sus. by V553-000010 | |
| 3 | + | V553-000010 | 1 | BEARING, NEEDLE 8 | HK0810 | | |
| 12 | | 610325-02730 | 1 | KEY, WOODRUFF | | | |
| 13 | | 100000-48730 | 1 | PISTON KIT | | Sus. by P021-001102 | |
| 13 | | 100000-48731 | 1 | PISTON KIT | | Sus. by P021-001102 | |

1. Cylinder, Crankcase, Piston

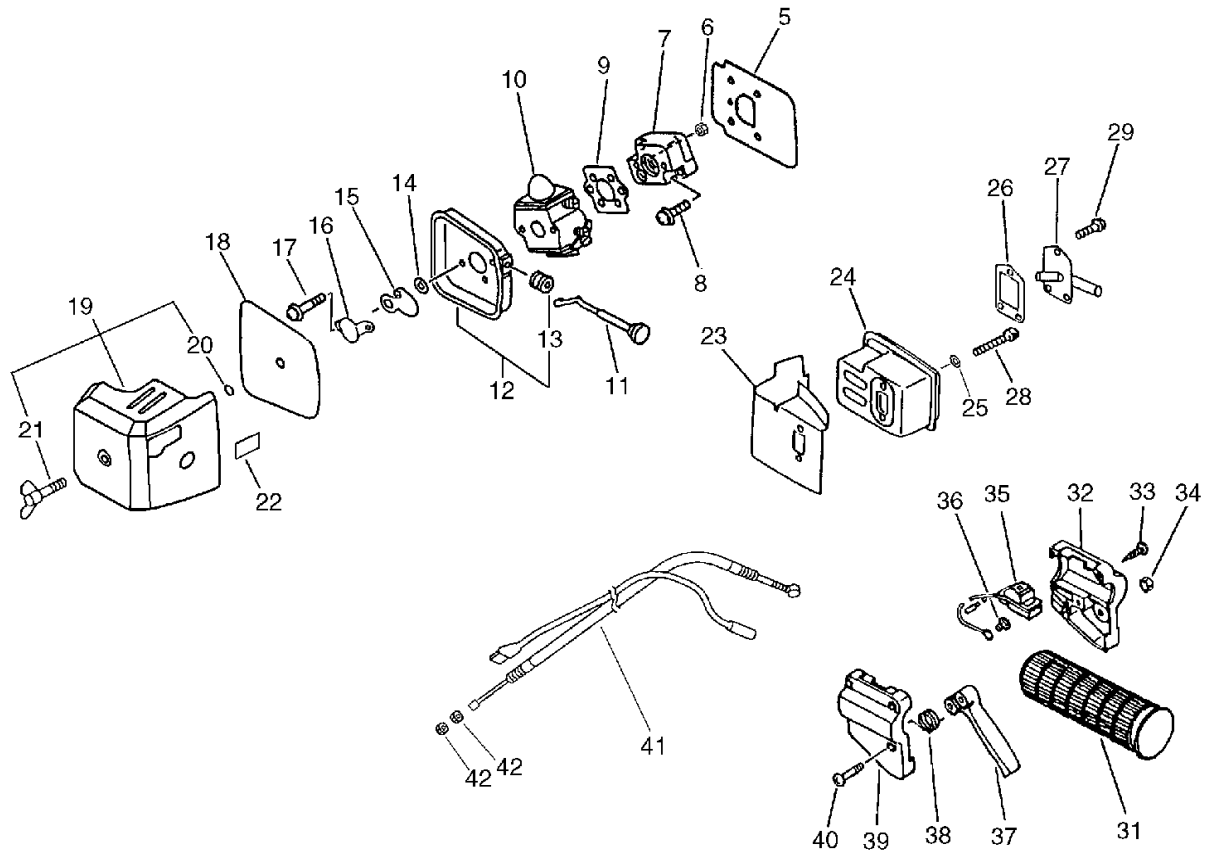
No.1



| KEY | LV | PART NUMBER | Q'TY | DESCRIPTION | REMARKS | NOTE1 | NOTE2 |
|-----|----|--------------|------|---------------------|-----------|----------------------|-------|
| 13 | | 100000-48732 | 1 | PISTON KIT | | Sus. by P021-001102 | |
| 13 | | P021-001101 | 1 | PISTON KIT | | Sus. by P021-001102 | |
| 13 | | P021-001102 | 1 | PISTON KIT | | | |
| 14 | + | 100014-11520 | 2 | SPACER, PISTON PIN | | | |
| 15 | + | 100015-04630 | 2 | CIRCLIP, PISTON PIN | | | |
| 16 | + | 100013-11520 | 1 | PIN, PISTON | | | |
| 17 | + | 100011-05330 | 2 | RING, PISTON | | Sus. by A101-000000 | |
| 17 | + | A101-000000 | 2 | RING,PISTON | | | |
| 18 | | 101010-44332 | 1 | GASKET, CYL. BASE | | | |
| 19 | | 101011-06562 | 1 | CYLINDER | | | |
| 20 | | 900162-05022 | 2 | BOLT, H.S. 5*22 | 5*22 W,SW | | |
| 21 | | 900238-04018 | 2 | SCREW 4*18 | 4*18 | | |
| 22 | | 101506-11820 | 1 | COVER, CYLINDER | | Sus. by 101506-11821 | |
| 22 | | 101506-11821 | 1 | COVER, CYLINDER | | | |
| 23 | | 100143-42030 | 1 | WASHER | 10*22*3 | | |

2. Air Cleaner, Muffler, Handle

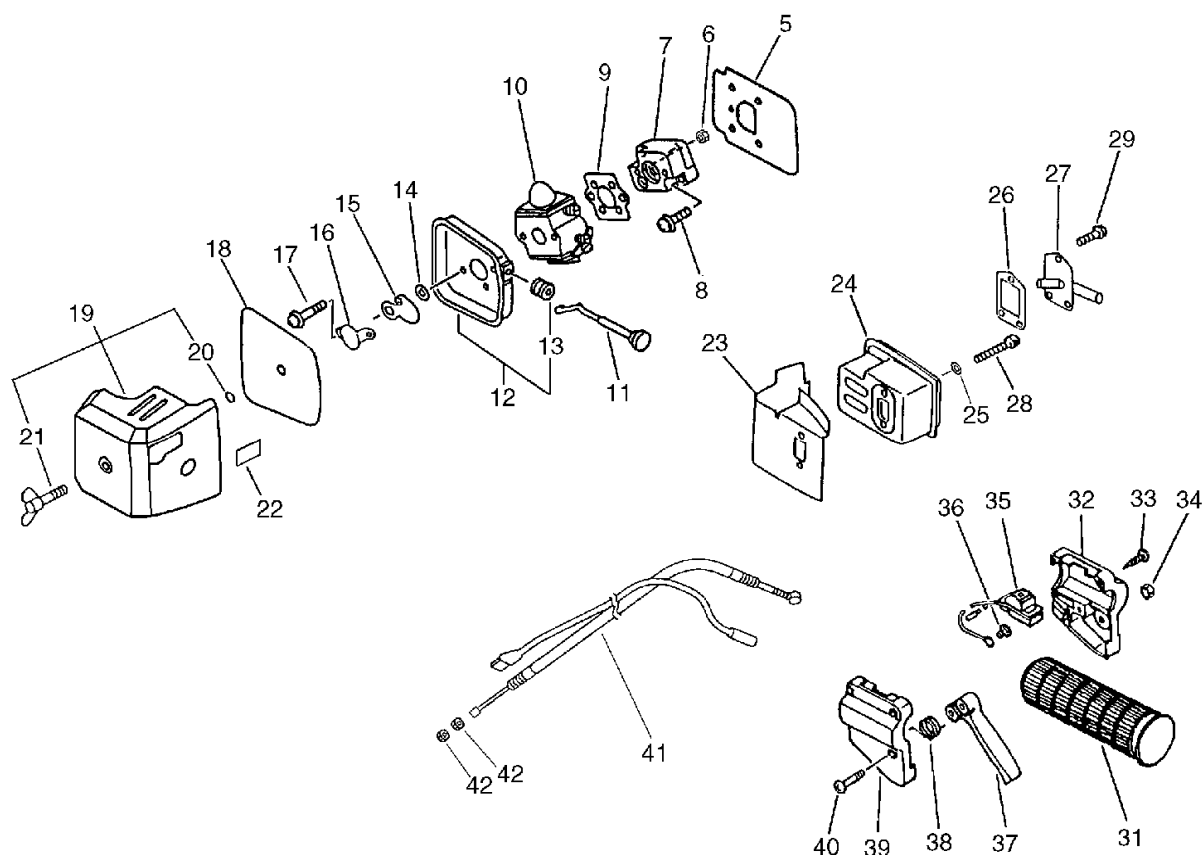
No.2



| KEY | LV | PART NUMBER | Q'TY | DESCRIPTION | REMARKS | NOTE1 | NOTE2 |
|-----|----|--------------|------|----------------------|------------|----------------------|-------|
| 5 | | 130010-42032 | 1 | GASKET,INTAKE | | | |
| 6 | | 900500-00005 | 2 | NUT 5 | 5 | | |
| 7 | | 130017-42031 | 1 | INSULATOR, INTAKE | | | |
| 8 | | 900238-05020 | 2 | SCREW 5*20 | 5*20 | | |
| 9 | | 130016-42031 | 1 | GASKET, INTAKE | | | |
| 10 | | 125200-13121 | 1 | CARBURETOR ASSY | C1U-K54 | Sus. by 125200-13125 | |
| 10 | | 125200-13122 | 1 | CARBURETOR | C1U-K54 | Sus. by 125200-13125 | |
| 10 | | 125200-13123 | 1 | CARBURETOR C1U-K54 | C1U-K54 | Sus. by 125200-13125 | |
| 10 | | 125200-13124 | 1 | CARBURETOR | C1U-K54A | Sus. by 125200-13125 | |
| 10 | | 125200-13125 | 1 | CARBURETOR | C1U-K54A | | |
| 11 | | 178510-04560 | 1 | ROD, CHOKE | | | |
| 12 | | 130301-04560 | 1 | CASE, AIR CLEANER | | | |
| 13 | + | 178810-05230 | 1 | GROMMET | | | |
| 14 | | 178516-00830 | 1 | SPACER | 5.2*8*0.8T | | |
| 15 | | 178515-04560 | 1 | SHUTTER, CHOKE | | | |
| 16 | | 130410-44730 | 1 | BRACKET, AIR CLEANER | | | |
| 17 | | 900242-05057 | 2 | SCREW 5*57 | 5*57 | | |
| 18 | | 130310-04560 | 1 | FILTER, AIR | | | |
| 19 | | 130302-44731 | 1 | COVER ASSY, AIR CLN. | | Sus. by 130302-44733 | |
| 19 | | 130302-44732 | 1 | COVER ASY, A.CLEANER | | Sus. by 130302-44733 | |

2. Air Cleaner, Muffler, Handle

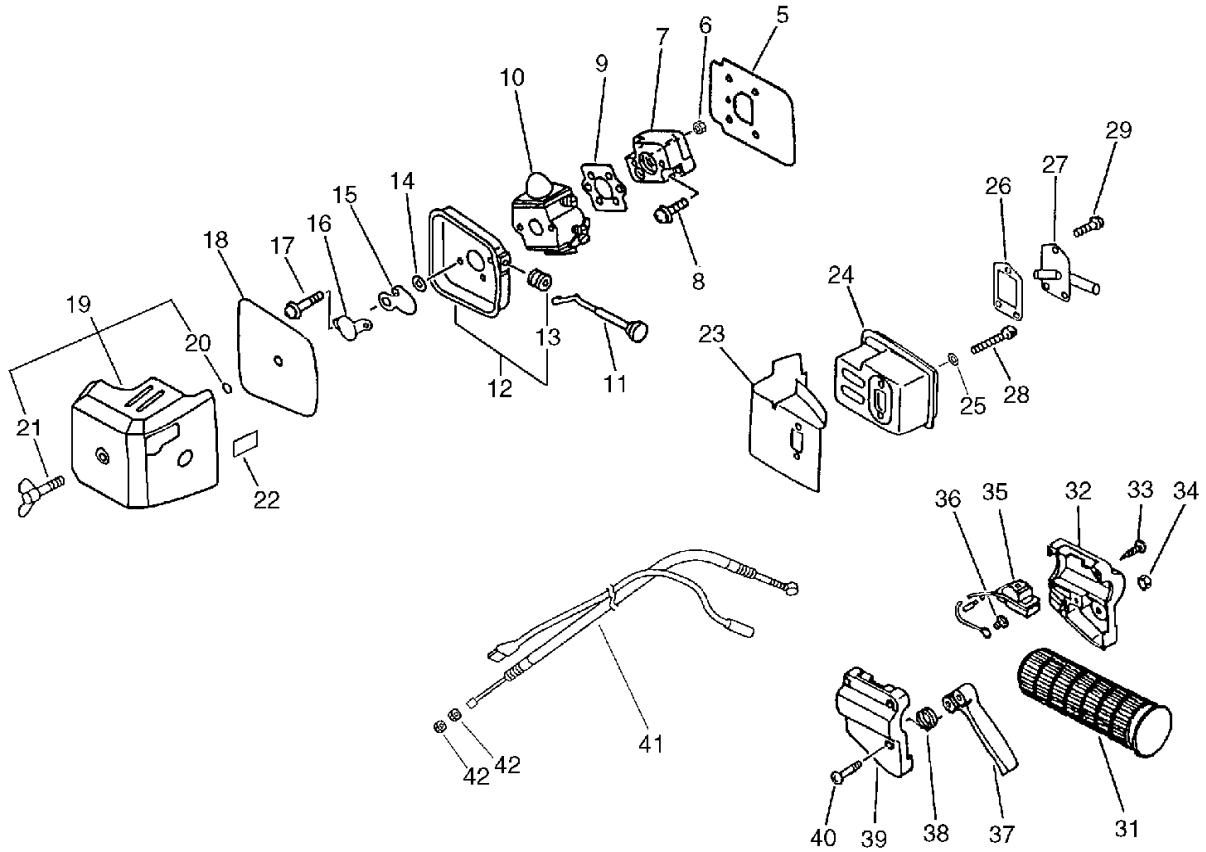
No.2



| KEY | LV | PART NUMBER | Q'TY | DESCRIPTION | REMARKS | NOTE1 | NOTE2 |
|-----|----|--------------|------|----------------------|---------|----------------------|-------|
| 19 | | 130302-44733 | 1 | COVER ASY, A.CLEANER | | | |
| 20 | + | 900720-00004 | 1 | O-RING (P-4) | P-4 | | |
| 21 | + | 130415-40630 | 1 | SCREW | | Sus. by 210417-52730 | |
| 21 | + | 210417-52730 | 1 | BOLT, WING | 5*20 | | |
| 22 | | 890121-40630 | 1 | LABEL, CHOKE | | Sus. by X506-000070 | |
| 22 | | X506-000020 | 1 | LABEL,CHOKE | | Sus. by X506-000070 | |
| 22 | | X506-000070 | 1 | LABEL,CHOKE | | | |
| 23 | | 145871-11521 | 1 | COVER, MUFFLER | | | |
| 24 | | 145810-11520 | 1 | MUFFLER | | | |
| 25 | | 900600-00005 | 2 | WASHER 5 | 5 | | |
| 26 | | 145866-42031 | 1 | GASKET, MUFFLER LID | | | |
| 27 | | 145619-11820 | 1 | GUIDE, EXH. | | | |
| 28 | | 900105-05050 | 2 | BOLT, H.S. 5*50 | 5*50 | | |
| 29 | | 900242-04010 | 3 | SCREW 4*10 | 4*10 | | |
| 31 | | 351012-07930 | 1 | GRIP | | | |
| 32 | | 178024-07930 | 1 | BRACKET, THROTTLE | | | |
| 33 | | 900245-04025 | 3 | SCREW 4*25 | 4*25 | | |
| 34 | | 900560-00005 | 1 | NUT, LOCK 5 | 5 | | |
| 35 | | 163400-07930 | 1 | SWITCH, IGNITION | | | |
| 36 | | 900246-04008 | 1 | SCREW 4*8 | 4*8 | | |
| 37 | | 178010-07930 | 1 | CONTROL, THROTTLE | | | |
| 38 | | 178043-07930 | 1 | SPRING, THR. RETURN | | | |
| 39 | | 178052-07930 | 1 | BRACKET, THR. LEVER | | | |

2. Air Cleaner, Muffler, Handle

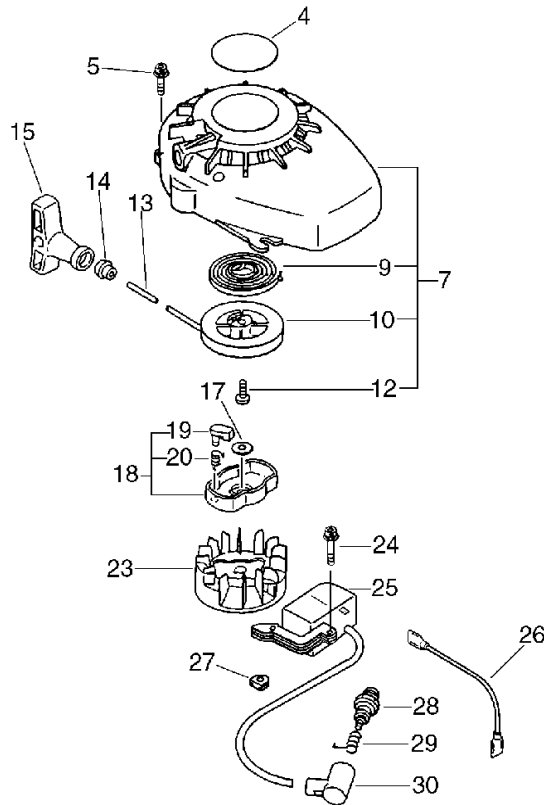
No.2



| KEY | LV | PART NUMBER | Q'TY | DESCRIPTION | REMARKS | NOTE1 | NOTE2 |
|-----|----|--------------|------|---------------------|---------|-------|-------|
| 40 | | 178110-05530 | 1 | SCREW | | | |
| 41 | | 178100-11820 | 1 | CABLE ASSY, CONTROL | | | |
| 42 | | 900502-00006 | 2 | NUT 6 (3N) | 3N6 | | |

3. Starter, Magneto

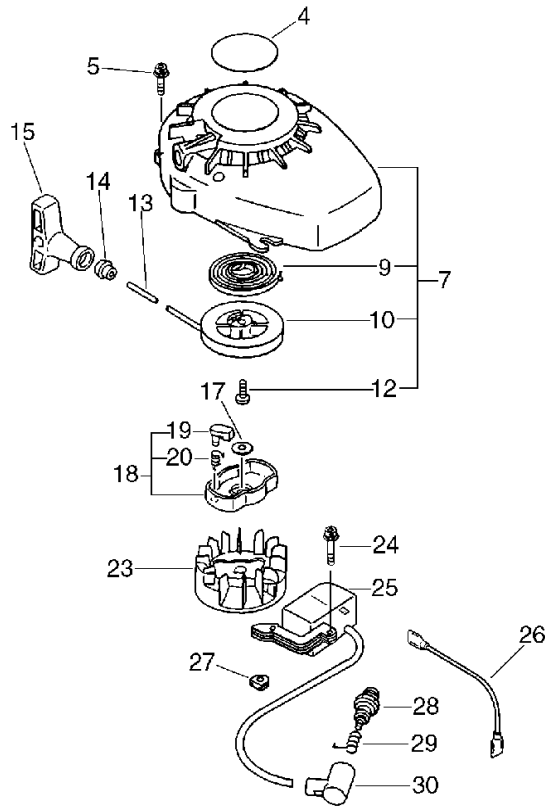
No.3



| KEY | LV | PART NUMBER | Q'TY | DESCRIPTION | REMARKS | NOTE1 | NOTE2 |
|-----|----|--------------|------|--------------------|-----------|----------------------|-------|
| 4 | | 890118-44330 | 1 | LABEL, ECHO | | Sus. by 890118-49130 | |
| 4 | | 890118-49130 | 1 | LABEL, ECHO | | | |
| 5 | | 900238-04016 | 4 | SCREW 4*16 | 4*16 | | |
| 7 | | 177200-11860 | 1 | STARTER ASY | | Sus. by 177200-11861 | |
| 7 | | 177200-11861 | 1 | STARTER ASY | | | |
| 9 | + | 177220-42030 | 1 | SPRING, REWIND | | | |
| 10 | + | 177215-44430 | 1 | DRUM, STARTER | | | |
| 12 | + | 177236-44330 | 1 | SCREW | | | |
| 13 | + | 177226-05530 | 1 | ROPE, STARTER | 3*890 | | |
| 14 | + | 177227-42030 | 1 | GUIDE, ROPE | | | |
| 15 | + | 177228-11120 | 1 | GRIP, STARTER | | | |
| 17 | | 900605-00008 | 1 | WASHER, SPRING 8 | 8 | | |
| 18 | | 177202-44330 | 1 | PAWL ASSY, STARTER | | Sus. by 177202-44331 | |
| 18 | | 177202-44331 | 1 | PAWL ASM., STARTER | | | |
| 19 | + | 177218-44330 | 1 | PAWL, STARTER | BLACK | | |
| 20 | + | 177234-42030 | 1 | SPRING, RETURN | | Sus. by 177234-12220 | |
| 20 | + | 177234-12220 | 1 | SPRING, PAWL | | | |
| 23 | | 156801-05360 | 1 | ROTOR, MAGNETO | | | |
| 24 | | 900162-04022 | 2 | BOLT, H.S. 4*22 | 4*22 W,SW | | |
| 25 | | 156601-52130 | 1 | COIL, IGNITION | | Sus. by A411-000080 | |
| 25 | | A411-000080 | 1 | COIL,IGNITION | | | |

3. Starter, Magneto

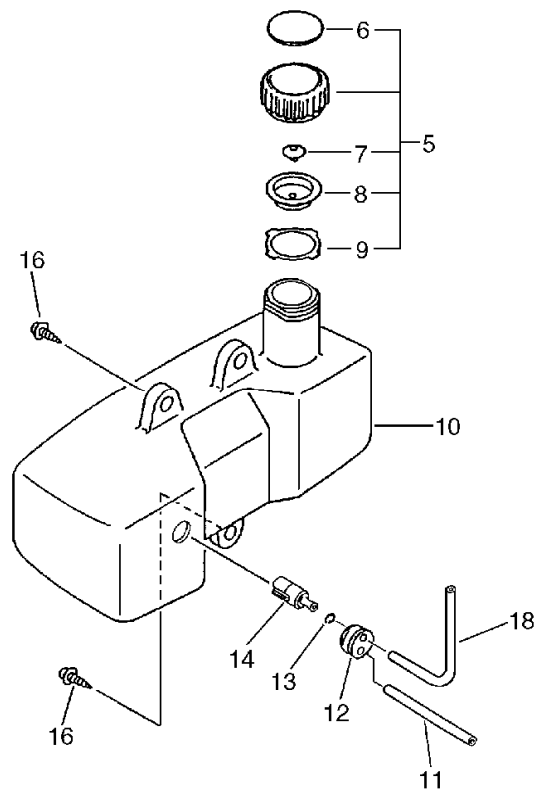
No.3



| KEY | LV | PART NUMBER | Q'TY | DESCRIPTION | REMARKS | NOTE1 | NOTE2 |
|-----|----|--------------|------|---------------------|---------|-------|-------|
| 26 | | 162021-52830 | 1 | LEAD | 275L | | |
| 27 | | 156110-04920 | 1 | BUSHING | | | |
| 28 | | 159010-13930 | 1 | PLUG, SPARK (CJ-8Y) | CJ-8Y | | |
| 29 | | 159011-03432 | 1 | COIL, SPARK PLUG | | | |
| 30 | | 159012-01620 | 1 | CAP, SPARK PLUG | | | |

4. Fuel Tank

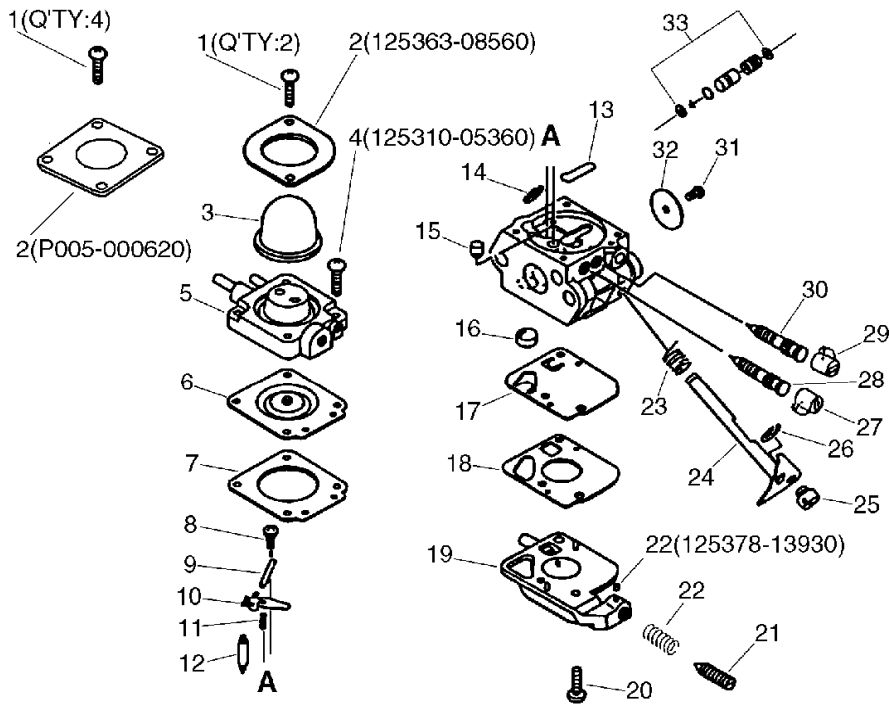
No.4



| KEY | LV | PART NUMBER | Q'TY | DESCRIPTION | REMARKS | NOTE1 | NOTE2 |
|-----|----|--------------|------|---------------------|-------------|----------------------|-------|
| 5 | | 131600-04520 | 1 | CAP ASSY, FUEL (BL) | | Sus. by 131600-04521 | |
| 5 | | 131600-04521 | 1 | CAP ASSY, FUEL (BL) | | | |
| 6 | + | 890154-03930 | 1 | LABEL, FUEL MIX | | | |
| 7 | + | 131314-00330 | 1 | VALVE, CHECK | | | |
| 8 | + | 131015-04520 | 1 | HOLDER, CHECK VALVE | | | |
| 9 | + | 131016-04930 | 1 | GASKET, FUEL CAP | | Sus. by 131016-04931 | |
| 9 | + | 131016-04931 | 1 | GASKET, FUEL CAP | #01702 | | |
| 10 | | 131005-11521 | 1 | TANK, FUEL | | | |
| 11 | | 132010-11520 | 1 | PIPE, 3*5*210 | 3*5*210 NBR | | |
| 12 | | 132115-44330 | 1 | GROMMET | | | |
| 13 | | 132013-09820 | 1 | CLIP | 6MM | | |
| 14 | | 131205-07320 | 1 | STRAINER, FUEL | | | |
| 16 | | 900275-05015 | 3 | SCREW 5*15 | 5*15 | | |
| 18 | | 132010-49030 | 1 | PIPE, 3*6*50 | 3*6*50 YL | | |

5. Carburetor

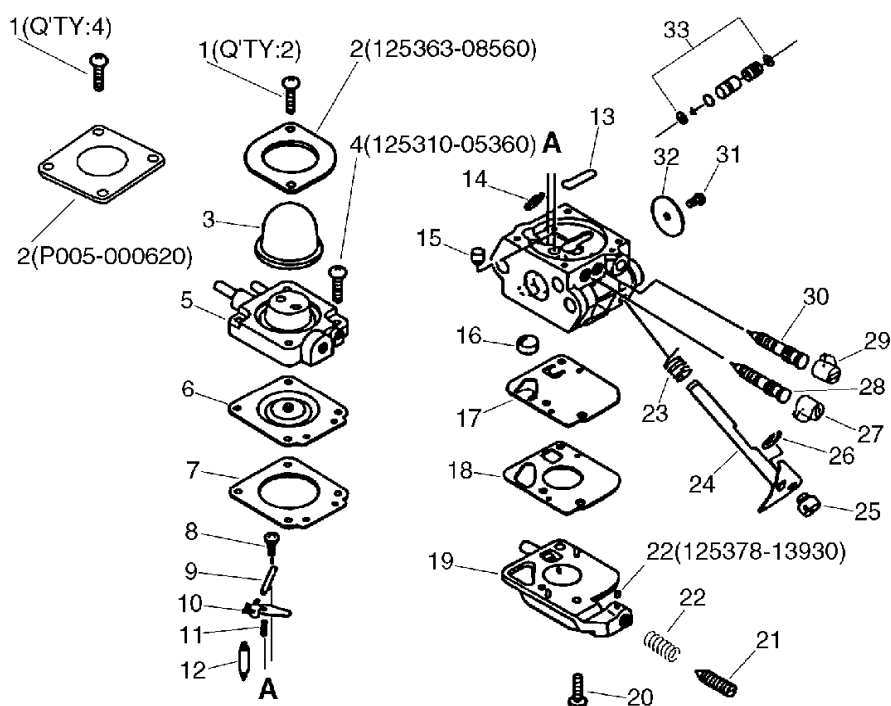
No.5



| KEY | LV | PART NUMBER | Q'TY | DESCRIPTION | REMARKS | NOTE1 | NOTE2 |
|-----|----|--------------|------|--------------------|----------|-------------------------|-------|
| | | 125200-13121 | 1 | CARBURETOR ASSY | C1U-K54 | Sus. by 125200-13125 | |
| | | 125200-13122 | 1 | CARBURETOR | C1U-K54 | Sus. by 125200-13125 | |
| | | 125200-13123 | 1 | CARBURETOR C1U-K54 | C1U-K54 | Sus. by 125200-13125 | |
| | | 125200-13124 | 1 | CARBURETOR | C1U-K54A | Sus. by 125200-13125 | |
| | | 125200-13125 | 1 | CARBURETOR | C1U-K54A | | |
| 1 | + | 125344-05360 | 2 | SCREW | | Sr/Nr 127338 and before | |
| 1 | + | 125344-05360 | 4 | SCREW | | Sus. by P005-000980 | |
| 1 | + | P005-000980 | 4 | SCREW | | Sr/Nr 127339 and after | |
| 2 | + | 125363-08560 | 1 | RING | | Sr/Nr 127338 and before | |
| 2 | + | P005-000620 | 1 | RETAINER | | Sr/Nr 127339 and after | |
| 3 | + | 125381-08660 | 1 | PUMP, PRIMING | | | |
| 4 | + | 125310-05360 | 2 | SCREW | | Sr/Nr 127338 and before | |
| 5 | + | 125383-05360 | 1 | BASE, PRIMER | | Sr/Nr 127338 and before | |
| 5 | + | P005-000600 | 1 | BASE, PRIMER | | Sus. By P005-000970 | |

5. Carburetor

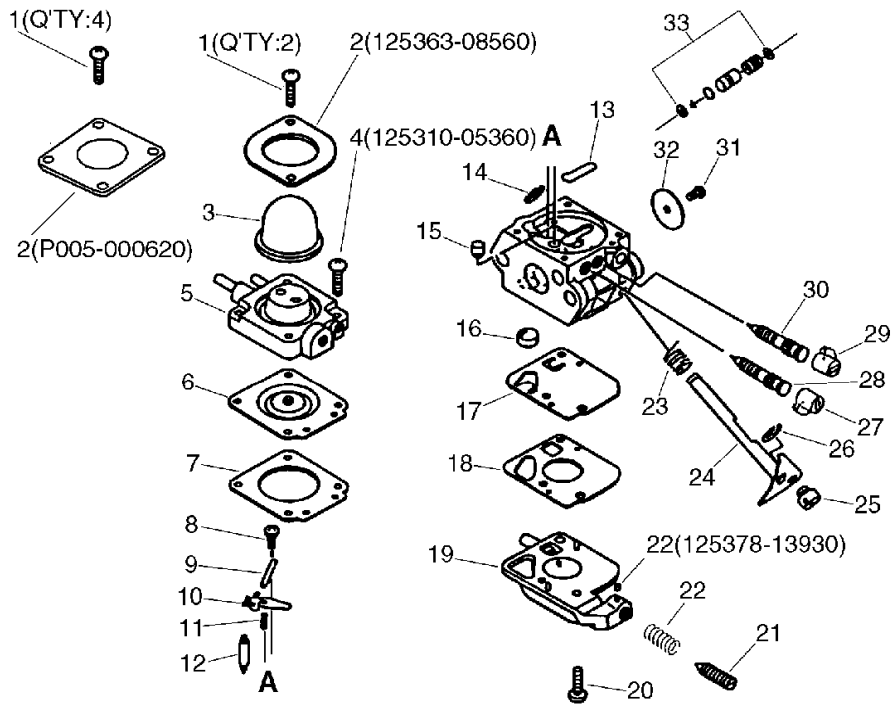
No.5



| KEY | LV | PART NUMBER | Q'TY | DESCRIPTION | REMARKS | NOTE1 | NOTE2 |
|-----|----|--------------|------|------------------------|---------|-------------------------|-------|
| 5 | + | P005-000970 | 1 | BASE, PRIMER | | Sr/Nr 127339 and after | |
| 6 | + | 125341-07360 | 1 | DIAPHRAGM | | | |
| 7 | + | 125340-20560 | 1 | GASKET, DIAPHRAGM | | | |
| 8 | + | 125339-42030 | 1 | SCREW | | | |
| 9 | + | 125338-13930 | 1 | PIN, METERING ARM | | | |
| 10 | + | 125323-42030 | 1 | LEVER, METERING | | | |
| 11 | + | 125322-42030 | 1 | SPRING, COIL | | | |
| 12 | + | 125337-06960 | 1 | VALVE, INLET NEEDLE | | | |
| 13 | + | 125345-15130 | 1 | PLUG, WELCH | | | |
| 14 | + | 125327-15130 | 1 | CLIP | | | |
| 15 | + | 125376-13120 | 1 | NOZZLE, CHECK VALVE | | | |
| 16 | + | 125326-42030 | 1 | STRAINER | | | |
| 17 | + | 125312-12820 | 1 | DIAPHRAGM, FUEL PUMP | | | |
| 18 | + | 125325-13310 | 1 | GASKET, PUMP | | | |
| 19 | + | 125324-12820 | 1 | COVER, PUMP | | | |
| 20 | + | 125310-12820 | 2 | SCREW | | | |
| 21 | + | 125334-13930 | 1 | SCREW, IDLE ADJUST | | Sr/Nr 126738 and before | |
| 21 | + | 125334-06960 | 1 | SCREW, THROTTLE ADJUST | | Sr/Nr 126739 and after | |
| 22 | + | 125378-13930 | 1 | PIECE, FRICTION | | Sr/Nr 126738 and before | |
| 22 | + | 125333-06960 | 1 | SPRING, IDLE ADJUSTER | | Sr/Nr 126739 and after | |
| 23 | + | 125313-42030 | 1 | SPRING, THRT. RETURN | | | |

5. Carburetor

No.5



| KEY | LV | PART NUMBER | Q'TY | DESCRIPTION | REMARKS | NOTE1 | NOTE2 |
|-----|----|--------------|------|--------------------|---------|-------|---------------------|
| 24 | + | 125317-13310 | 1 | SHAFT, THROTTLE | | | |
| 24 | + | P005-001070 | 1 | SHAFT, THROTTLE | | | Sus. By P005-001070 |
| 25 | + | 125372-42030 | 1 | SWIVEL | | | |
| 26 | + | 125327-13930 | 1 | CLIP | | | |
| 27 | + | 125329-39030 | 1 | LIMITER, MIXTURE | | | |
| 28 | + | 125320-13310 | 1 | NEEDLE, HIGH SPEED | | | |
| 29 | + | 125329-09860 | 1 | LIMITER, MIXTURE | | | |
| 30 | + | 125318-13120 | 1 | SCREW, IDLE NEEDLE | | | |
| 31 | + | 125314-13930 | 1 | SCREW | 3*4 | | |
| 32 | + | 125316-49030 | 1 | VALVE, THROTTLE | | | |
| 33 | + | 125306-13120 | 1 | PUMP KIT, ACC. | | | |

6. Repair Kit

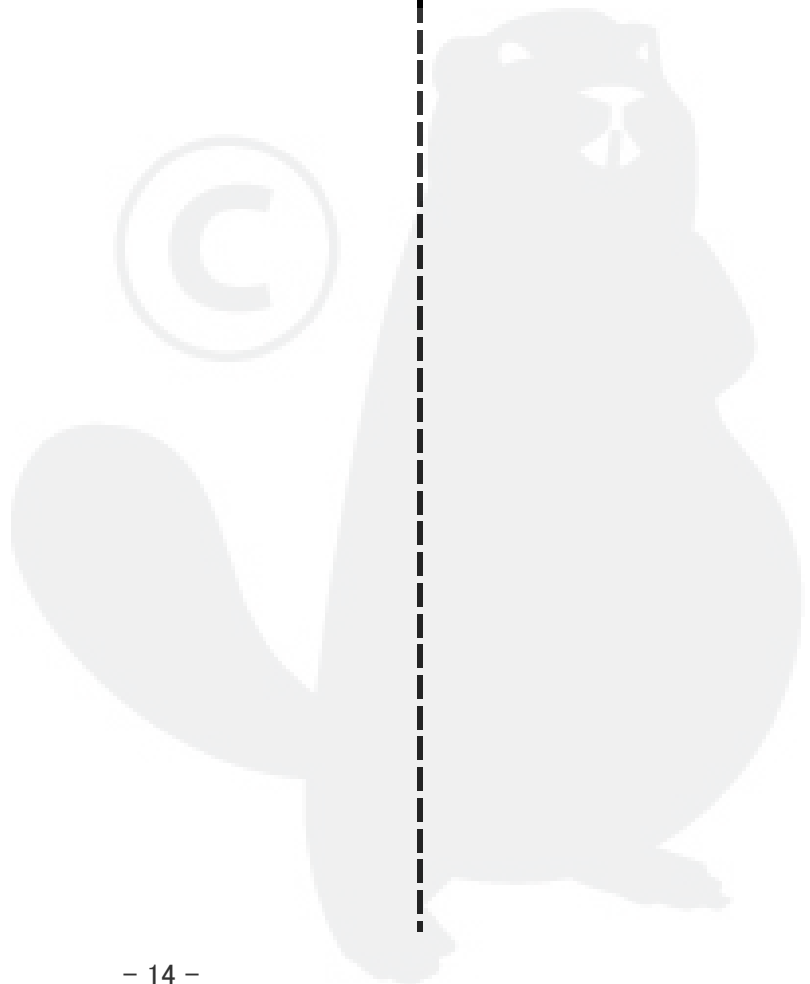
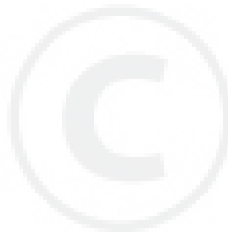
| KEY | LV | PART NUMBER | Q'TY | DESCRIPTION | REMARKS | NOTE1 | NOTE2 |
|------|----|--------------|------|----------------------|---------|-------|-------|
| | | 125303-13120 | 1 | GASKET/DIAPHRAGM KIT | | | |
| 5-6 | + | 125341-07360 | 1 | DIAPHRAGM | | | |
| 5-7 | + | 125340-20560 | 1 | GASKET, DIAPHRAGM | | | |
| 5-17 | + | 125312-12820 | 1 | DIAPHRAGM, FUEL PUMP | | | |
| 5-18 | + | 125325-13310 | 1 | GASKET, PUMP | | | |
| | | 125300-13120 | 1 | REBUILD KIT | | | |
| 5-6 | + | 125341-07360 | 1 | DIAPHRAGM | | | |
| 5-7 | + | 125340-20560 | 1 | GASKET, DIAPHRAGM | | | |
| 5-9 | + | 125338-13930 | 1 | PIN, METERING ARM | | | |
| 5-10 | + | 125323-42030 | 1 | LEVER, METERING | | | |
| 5-11 | + | 125322-42030 | 1 | SPRING, COIL | | | |
| 5-12 | + | 125337-06960 | 1 | VALVE, INLET NEEDLE | | | |
| 5-13 | + | 125345-15130 | 1 | PLUG, WELCH | | | |
| 5-16 | + | 125326-42030 | 1 | STRAINER | | | |
| 5-17 | + | 125312-12820 | 1 | DIAPHRAGM, FUEL PUMP | | | |
| 5-18 | + | 125325-13310 | 1 | GASKET, PUMP | | | |

Index

| Patrs Number | Key No. | Patrs Number | Key No. | Patrs Number | Key No. |
|---------------------|----------------|---------------------|----------------|---------------------|----------------|
| 100000-48730 | 1 - 13 | 125323-42030 | 6 - 5-10 | 131205-07320 | 4 - 14 |
| 100000-48731 | 1 - 13 | 125324-12820 | 5 - 19 | 131314-00330 | 4 - 7 |
| 100000-48732 | 1 - 13 | 125325-13310 | 5 - 18 | 131600-04520 | 4 - 5 |
| 100011-05330 | 1 - 17 | 125325-13310 | 6 - 5-18 | 131600-04521 | 4 - 5 |
| 100012-51230 | 1 - 3 | 125325-13310 | 6 - 5-18 | 132010-11520 | 4 - 11 |
| 100013-11520 | 1 - 16 | 125326-42030 | 5 - 16 | 132010-49030 | 4 - 18 |
| 100014-11520 | 1 - 14 | 125326-42030 | 6 - 5-16 | 132013-09820 | 4 - 13 |
| 100015-04630 | 1 - 15 | 125327-13930 | 5 - 26 | 132115-44330 | 4 - 12 |
| 100100-11521 | 1 - 10 | 125327-15130 | 5 - 14 | 145619-11820 | 2 - 27 |
| 100100-11522 | 1 - 10 | 125329-09860 | 5 - 29 | 145810-11520 | 2 - 24 |
| 100100-13121 | 1 - 10 | 125329-39030 | 5 - 27 | 145866-42031 | 2 - 26 |
| 100143-42030 | 1 - 23 | 125333-06960 | 5 - 22 | 145871-11521 | 2 - 23 |
| 100204-11520 | 1 - 4 | 125334-06960 | 5 - 21 | 156110-04920 | 3 - 27 |
| 100204-11521 | 1 - 4 | 125334-13930 | 5 - 21 | 156601-52130 | 3 - 25 |
| 100212-42030 | 1 - 5 | 125337-06960 | 5 - 12 | 156801-05360 | 3 - 23 |
| 100212-42031 | 1 - 5 | 125337-06960 | 6 - 5-12 | 159010-13930 | 3 - 28 |
| 100215-03930 | 1 - 8 | 125338-13930 | 5 - 9 | 159011-03432 | 3 - 29 |
| 100242-42030 | 1 - 11 | 125338-13930 | 6 - 5-9 | 159012-01620 | 3 - 30 |
| 101010-44332 | 1 - 18 | 125339-42030 | 5 - 8 | 162021-52830 | 3 - 26 |
| 101011-06562 | 1 - 19 | 125340-20560 | 5 - 7 | 163400-07930 | 2 - 35 |
| 101506-11820 | 1 - 22 | 125340-20560 | 6 - 5-7 | 177200-11860 | 3 - 7 |
| 101506-11821 | 1 - 22 | 125340-20560 | 6 - 5-7 | 177200-11861 | 3 - 7 |
| 125200-13121 | 2 - 10 | 125341-07360 | 5 - 6 | 177202-44330 | 3 - 18 |
| 125200-13121 | 5 - | 125341-07360 | 6 - 5-6 | 177202-44331 | 3 - 18 |
| 125200-13122 | 2 - 10 | 125341-07360 | 6 - 5-6 | 177215-44430 | 3 - 10 |
| 125200-13122 | 5 - | 125344-05360 | 5 - 1 | 177218-44330 | 3 - 19 |
| 125200-13123 | 2 - 10 | 125344-05360 | 5 - 1 | 177220-42030 | 3 - 9 |
| 125200-13123 | 5 - | 125345-15130 | 5 - 13 | 177226-05530 | 3 - 13 |
| 125200-13124 | 2 - 10 | 125345-15130 | 6 - 5-13 | 177227-42030 | 3 - 14 |
| 125200-13124 | 5 - | 125363-08560 | 5 - 2 | 177228-11120 | 3 - 15 |
| 125200-13125 | 2 - 10 | 125372-42030 | 5 - 25 | 177234-12220 | 3 - 20 |
| 125200-13125 | 5 - | 125376-13120 | 5 - 15 | 177234-42030 | 3 - 20 |
| 125300-13120 | 6 - | 125378-13930 | 5 - 22 | 177236-44330 | 3 - 12 |
| 125303-13120 | 6 - | 125381-08660 | 5 - 3 | 178010-07930 | 2 - 37 |
| 125306-13120 | 5 - 33 | 125383-05360 | 5 - 5 | 178024-07930 | 2 - 32 |
| 125310-05360 | 5 - 4 | 130010-42032 | 2 - 5 | 178043-07930 | 2 - 38 |
| 125310-12820 | 5 - 20 | 130016-42031 | 2 - 9 | 178052-07930 | 2 - 39 |
| 125312-12820 | 5 - 17 | 130017-42031 | 2 - 7 | 178100-11820 | 2 - 41 |
| 125312-12820 | 6 - 5-17 | 130301-04560 | 2 - 12 | 178110-05530 | 2 - 40 |
| 125312-12820 | 6 - 5-17 | 130302-44731 | 2 - 19 | 178510-04560 | 2 - 11 |
| 125313-42030 | 5 - 23 | 130302-44732 | 2 - 19 | 178515-04560 | 2 - 15 |
| 125314-13930 | 5 - 31 | 130302-44733 | 2 - 19 | 178516-00830 | 2 - 14 |
| 125316-49030 | 5 - 32 | 130310-04560 | 2 - 18 | 178810-05230 | 2 - 13 |
| 125317-13310 | 5 - 24 | 130410-44730 | 2 - 16 | 210417-52730 | 2 - 21 |
| 125318-13120 | 5 - 30 | 130415-40630 | 2 - 21 | 351012-07930 | 2 - 31 |
| 125320-13310 | 5 - 28 | 131005-11521 | 4 - 10 | 610325-02730 | 1 - 12 |
| 125322-42030 | 5 - 11 | 131015-04520 | 4 - 8 | 890118-44330 | 3 - 4 |
| 125322-42030 | 6 - 5-11 | 131016-04930 | 4 - 9 | 890118-49130 | 3 - 4 |
| 125323-42030 | 5 - 10 | 131016-04931 | 4 - 9 | 890121-40630 | 2 - 22 |

Index

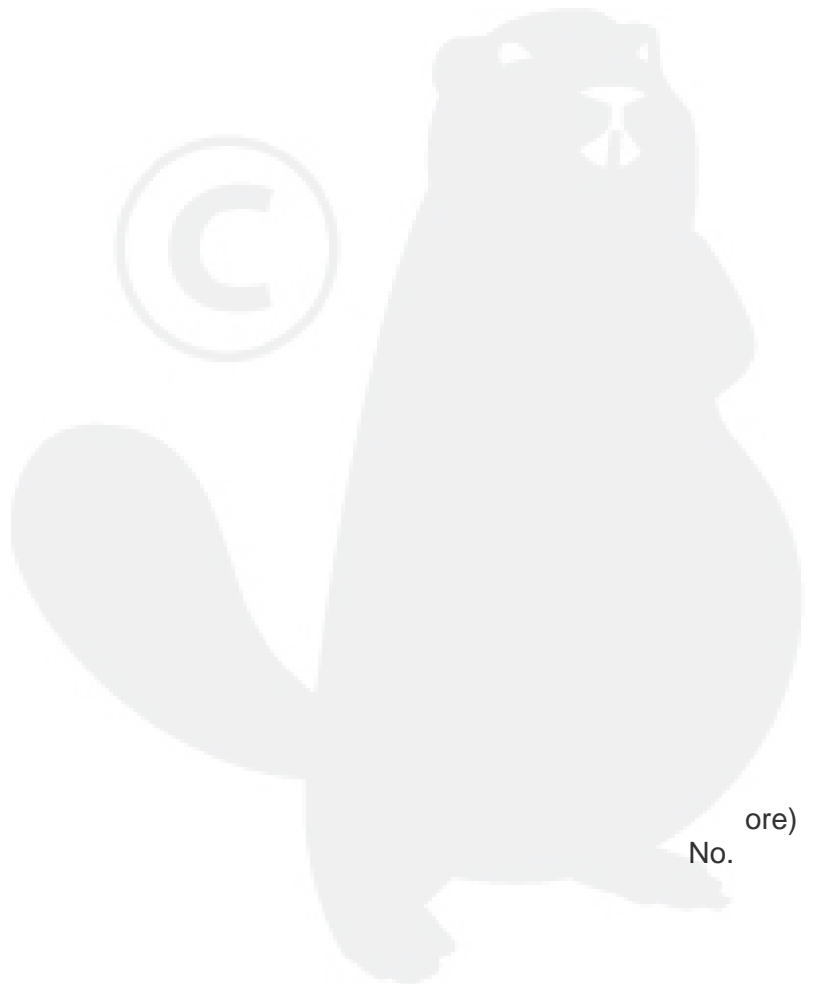
| Patrs Number | Key No. | Patrs Number | Key No. | Patrs Number | Key No. |
|---------------------|----------------|---------------------|----------------|---------------------|----------------|
| 890154-03930 | 4 - 6 | | | | |
| 900105-05050 | 2 - 28 | | | | |
| 900162-04022 | 3 - 24 | | | | |
| 900162-05022 | 1 - 20 | | | | |
| 900162-05028 | 1 - 6 | | | | |
| 900238-04016 | 3 - 5 | | | | |
| 900238-04018 | 1 - 21 | | | | |
| 900238-05020 | 2 - 8 | | | | |
| 900242-04010 | 2 - 29 | | | | |
| 900242-05057 | 2 - 17 | | | | |
| 900245-04025 | 2 - 33 | | | | |
| 900246-04008 | 2 - 36 | | | | |
| 900275-05015 | 4 - 16 | | | | |
| 900500-00005 | 2 - 6 | | | | |
| 900502-00006 | 2 - 42 | | | | |
| 900560-00005 | 2 - 34 | | | | |
| 900600-00005 | 2 - 25 | | | | |
| 900605-00008 | 3 - 17 | | | | |
| 900720-00004 | 2 - 20 | | | | |
| 900810-36201 | 1 - 9 | | | | |
| 94035-36201 | 1 - 9 | | | | |
| A101-000000 | 1 - 17 | | | | |
| A411-000080 | 3 - 25 | | | | |
| P005-000600 | 5 - 5 | | | | |
| P005-000620 | 5 - 2 | | | | |
| P005-000970 | 5 - 5 | | | | |
| P005-000980 | 5 - 1 | | | | |
| P005-001070 | 5 - 24 | | | | |
| P021-001101 | 1 - 13 | | | | |
| P021-001102 | 1 - 13 | | | | |
| V553-000010 | 1 - 3 | | | | |
| X506-000020 | 2 - 22 | | | | |
| X506-000070 | 2 - 22 | | | | |



YAMABIKO CORPORATION

7-2 SUEHIROCHO 1-CHOME, OHME, TOKYO 198-8760, JAPAN
PHONE: 81-428-32-6118. FAX: 81-428-32-6145.

ECHO®



No. ore)