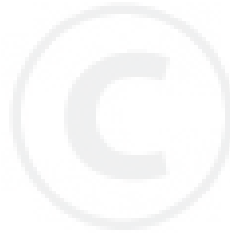




PARTS CATALOG

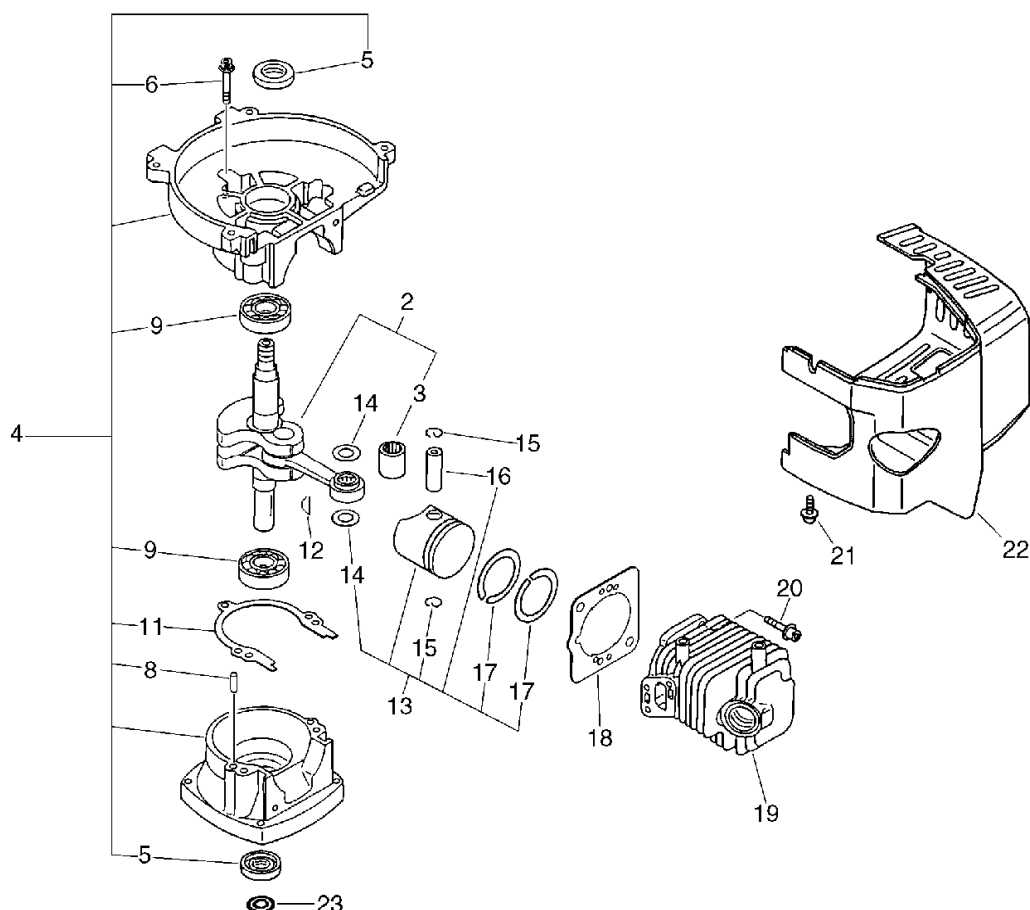
ENGINE

SV-4(SrNr 20001001 and after)



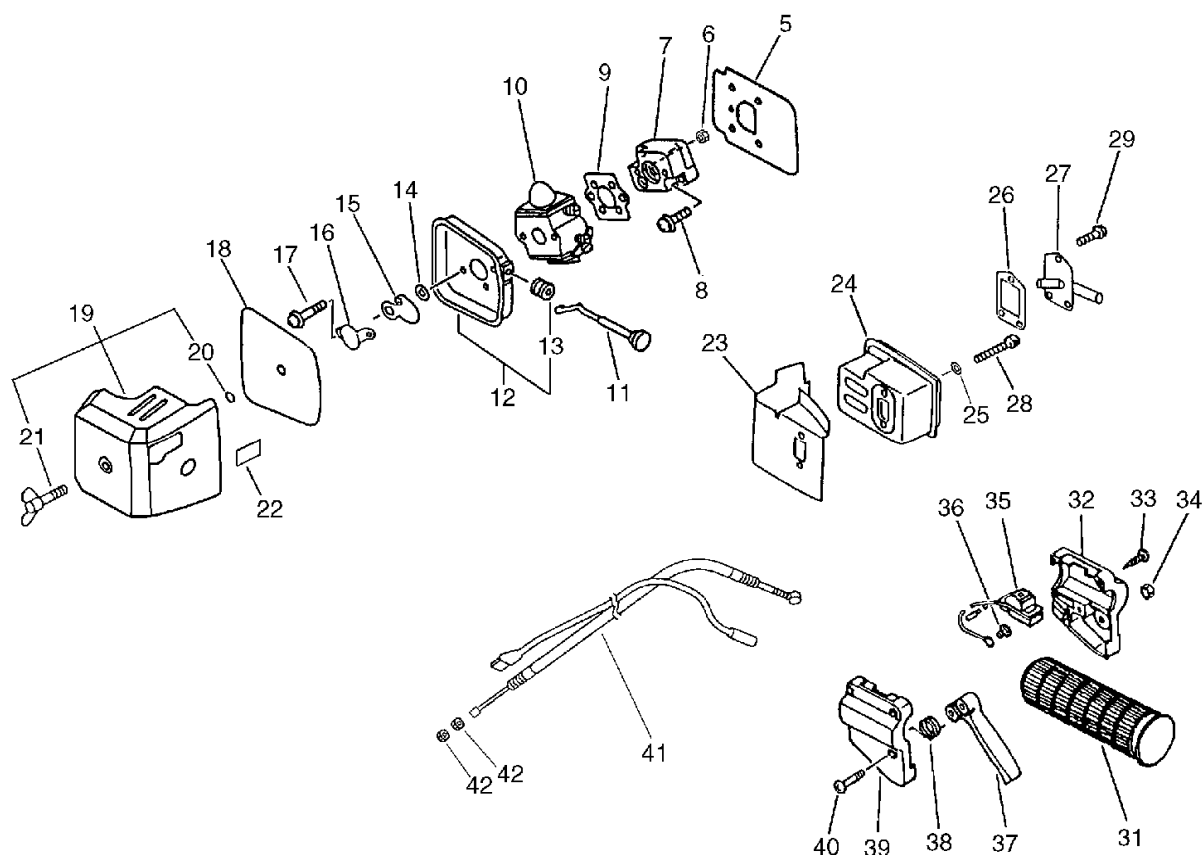
SV-4(SrNr 20001001 and after)

1. Cylinder, Crankcase, Piston



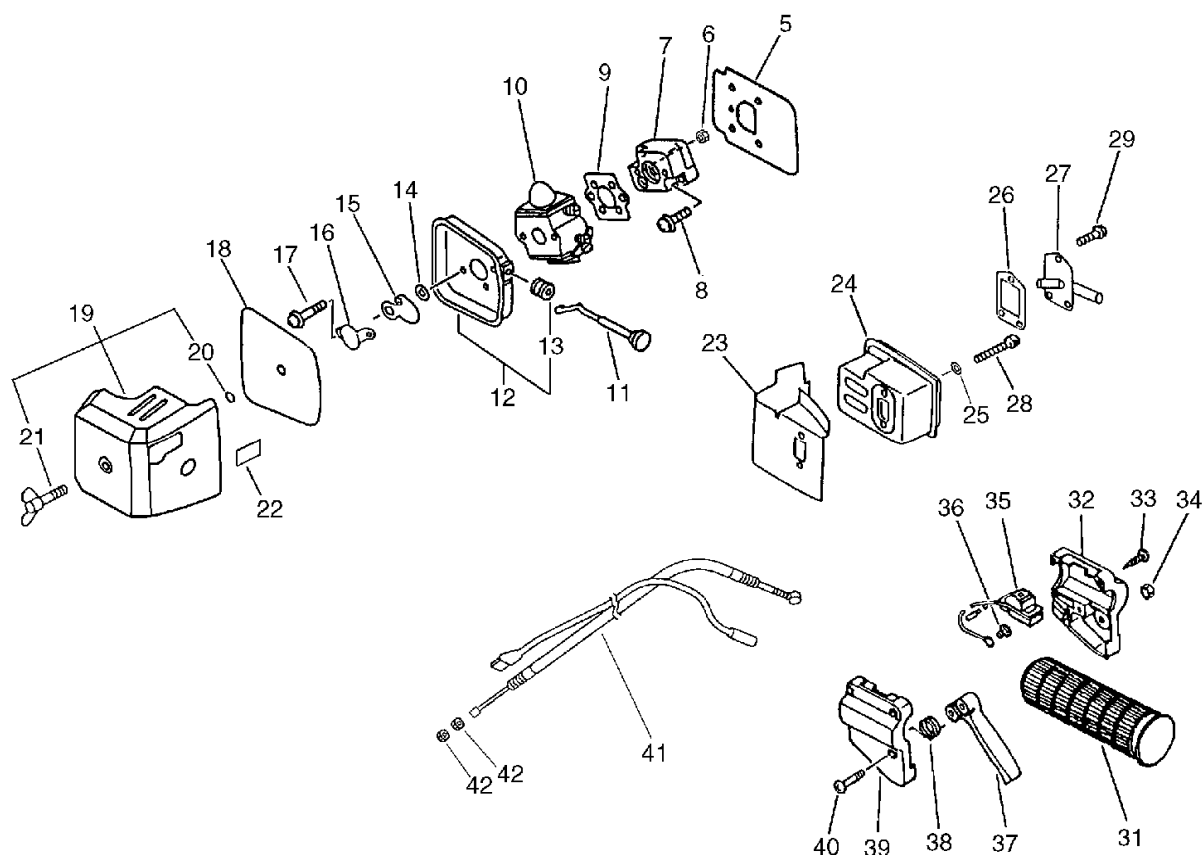
KEY	LV	PART NUMBER	Q'TY	DESCRIPTION	REMARKS	NOTE1	NOTE2
2		A011-000210	1	CRANKSHAFT,ASM			
3	+	V553-000010	1	BEARING,NEEDLE 8	HK0810		
4		100204-11521	1	CRANKCASE KIT			
5	+	100212-42031	2	OILSEAL	ISCD 12*22*4.5		
6	+	900162-05028	3	BOLT, H.S. 5*28	5*28 W,SW		
8	+	100215-03930	2	PIN, DOWEL			
9	+	94035-36201	2	BEARING BALL	6201X3JR2C3		
11	+	100242-42030	1	GASKET, CRANKCASE			
12		610325-02730	1	KEY, WOODRUFF			
13		P021-001101	1	PISTON KIT		Sus. by P021-001102	
13		P021-001102	1	PISTON KIT			
14	+	100014-11520	2	SPACER, PISTON PIN			
15	+	100015-04630	2	CIRCLIP, PISTON PIN			
16	+	100013-11520	1	PIN, PISTON			
17	+	A101-000000	2	RING,PISTON			
18		V100-000080	1	GASKET,CYL			
19		A130-000420	1	CYLINDER			
20		900162-05022	2	BOLT, H.S. 5*22	5*22 W,SW		
21		900238-04018	2	SCREW 4*18	4*18		
22		101506-11820	1	COVER, CYLINDER		Sus. by 101506-11821	
22		101506-11821	1	COVER, CYLINDER			
23		100143-42030	1	WASHER	10*22*3		

2. Air Cleaner, Muffler, Handle



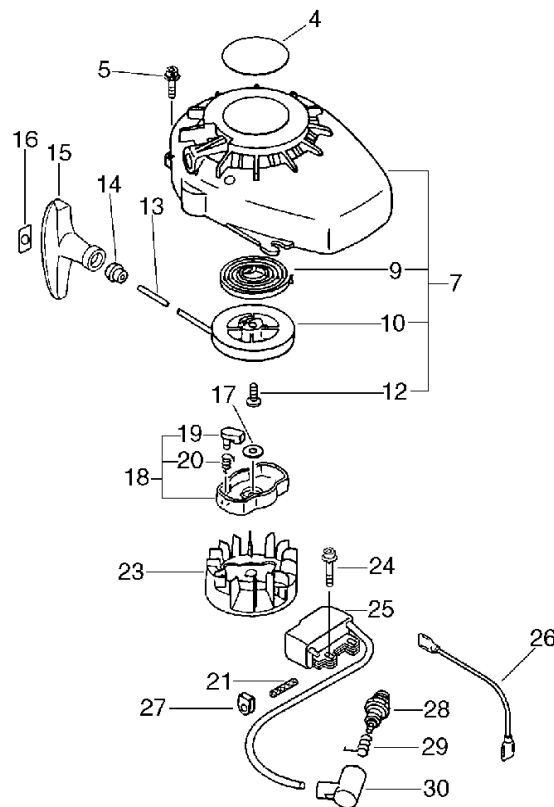
KEY	LV	PART NUMBER	Q'TY	DESCRIPTION	REMARKS	NOTE1	NOTE2
5		130010-42032	1	GASKET,INTAKE			
6		900500-00005	2	NUT 5	5		
7		130017-42031	1	INSULATOR, INTAKE			
8		900238-05020	2	SCREW 5*20	5*20		
9		130016-42031	1	GASKET, INTAKE			
10		125200-13124	1	CARBURETOR	C1U-K54A	Sus. by 125200-13125	
10		125200-13125	1	CARBURETOR	C1U-K54A		
11		178510-04560	1	ROD, CHOKE			
12		130301-04560	1	CASE, AIR CLEANER			
13	+	178810-05230	1	GROMMET			
14		178516-00830	1	SPACER	5.2*8*0.8T		
15		178515-04560	1	SHUTTER, CHOKE			
16		130410-44730	1	BRACKET, AIR CLEANER			
17		900242-05057	2	SCREW 5*57	5*57		
18		130310-04560	1	FILTER, AIR			
19		130302-44733	1	COVER ASY, A.CLEANER			
20	+	900720-00004	1	O-RING (P-4)	P-4		
21	+	210417-52730	1	BOLT, WING	5*20		
22		X506-000020	1	LABEL,CHOKE		Sus. by X506-000070	
22		X506-000070	1	LABEL,CHOKE			
23		145871-11521	1	COVER, MUFFLER			
24		145810-11520	1	MUFFLER			
25		900600-00005	2	WASHER 5	5		
26		145866-42031	1	GASKET, MUFFLER LID			

2. Air Cleaner, Muffler, Handle



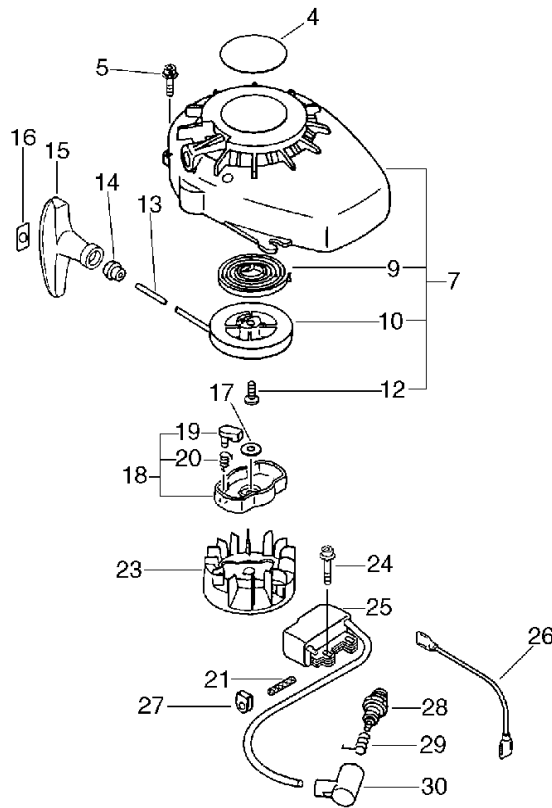
KEY	LV	PART NUMBER	Q'TY	DESCRIPTION	REMARKS	NOTE1	NOTE2
27		145619-11820	1	GUIDE, EXH.			
28		900105-05050	2	BOLT, H.S. 5*50	5*50		
29		900242-04010	3	SCREW 4*10	4*10		
31		351012-07930	1	GRIP			
32		178024-07930	1	BRACKET, THROTTLE			
33		900245-04025	3	SCREW 4*25	4*25		
34		900560-00005	1	NUT, LOCK 5	5		
35		163400-07930	1	SWITCH, IGNITION			
36		900246-04008	1	SCREW 4*8	4*8		
37		178010-07930	1	CONTROL, THROTTLE			
38		178043-07930	1	SPRING, THR. RETURN			
39		178052-07930	1	BRACKET, THR. LEVER			
40		178110-05330	1	SCREW			
41		178100-11820	1	CABLE ASSY, CONTROL			
42		900502-00006	2	NUT 6 (3N)	3N6		

3. Starter, Magneto



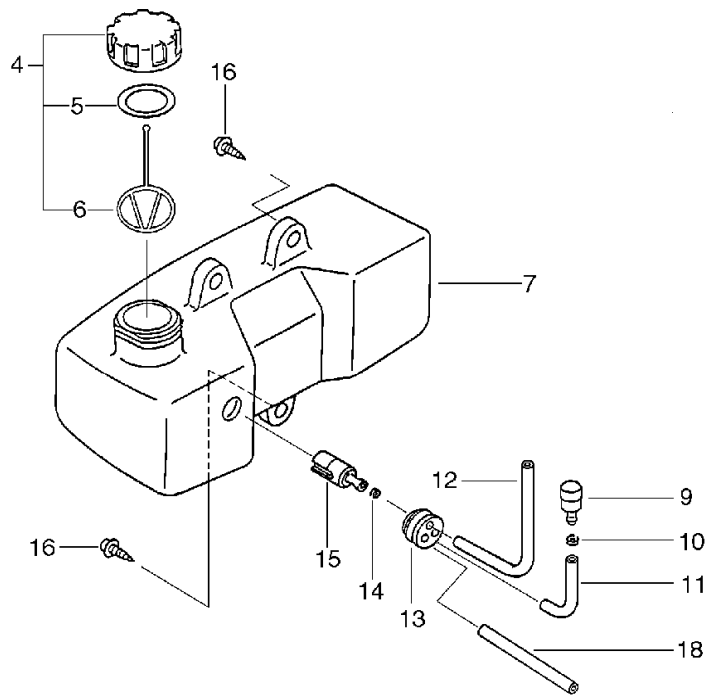
KEY	LV	PART NUMBER	Q'TY	DESCRIPTION	REMARKS	NOTE1	NOTE2
4		890118-49130	1	LABEL, ECHO			
5		900238-04016	4	SCREW 4*16	4*16		
7		177200-11860	1	STARTER ASY		Sus. by 177200-11861	
7		177200-11861	1	STARTER ASY			
9	+	177220-42030	1	SPRING, REWIND			
10	+	177215-44430	1	DRUM, STARTER			
12	+	177236-44330	1	SCREW			
13	+	P022-006800	1	ROPE, STARTER	3.0*880		
14	+	177227-42030	1	GUIDE, ROPE			
15	+	177228-11120	1	GRIP, STARTER			
16	+	177246-11120	1	CLIP, STARTER ROPE			
17		900605-00008	1	WASHER, SPRING 8	8		
18		177202-44331	1	PAWL ASM., STARTER			
19	+	177218-44330	1	PAWL, STARTER	BLACK		
20	+	177234-12220	1	SPRING, PAWL			
21		V475-002200	1	TUBE			
23		A409-000150	1	ROTOR, MAGNETO			
24		900162-04022	2	BOLT, H.S. 4*22	4*22 W,SW	Sus. by 91113-04020	
24		91113-04020	2	BOLT	CM-4*20 SW,W		
25		A411-000130	1	COIL, IGNITION			
26		162021-52830	1	LEAD	275L		
27		156110-04920	1	BUSHING			
28		159010-13930	1	PLUG, SPARK (CJ-8Y)	CJ-8Y	Sus. by 15901-030330	

3. Starter, Magneto



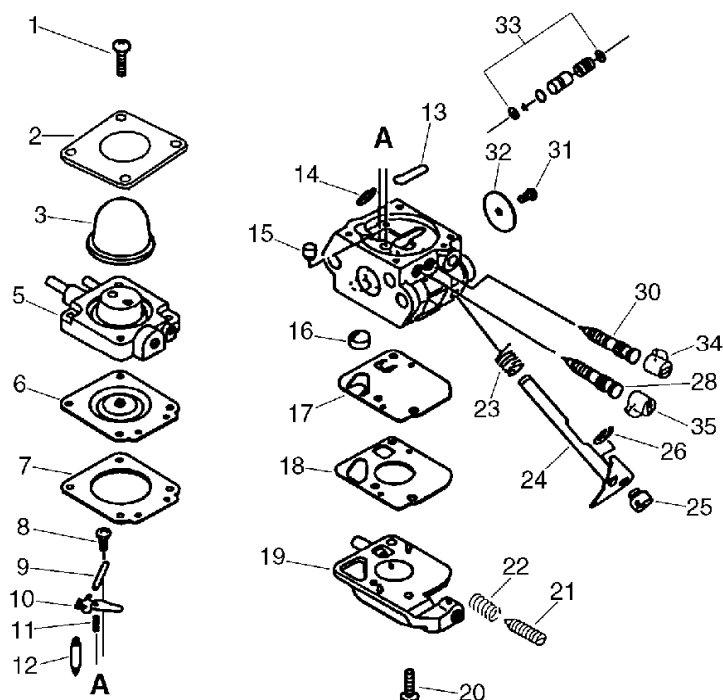
KEY	LV	PART NUMBER	Q'TY	DESCRIPTION	REMARKS	NOTE1	NOTE2
28		15901-030330	1	PLUG, SPARK (BPM-6Y)			
29		159011-03432	1	COIL, SPARK PLUG			
30		159012-01620	1	CAP, SPARK PLUG			

4. Fuel Tank



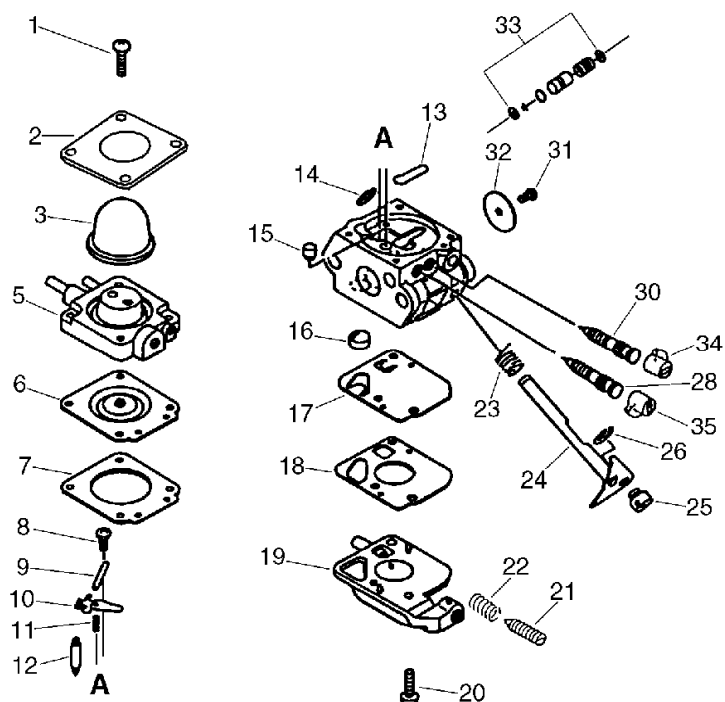
KEY	LV	PART NUMBER	Q'TY	DESCRIPTION	REMARKS	NOTE1	NOTE2
4		131004-09060	1	CAP ASSY, FUEL TANK			
5	+	131016-55830	1	GASKET, FUEL CAP			
6	+	131051-56030	1	CLIP, FUEL CAP	100L		
7		131005-11821	1	TANK, FUEL			
9		131300-56430	1	VALVE, CHECK			
10		130111-00530	1	CLIP	5.5		
11		V471-001200	1	PIPE	3*5*70 NBR		
12		V471-001230	1	PIPE	3*5*210 NBR		
13		132115-46730	1	GROMMET, FUEL			
14		132013-09820	1	CLIP	6MM		
15		131205-07320	1	STRAINER, FUEL			
16		900275-05015	3	SCREW 5*15	5*15		
18		132010-49030	1	PIPE, 3*6*50	3*6*50 YL		

5. Carburetor



KEY	LV	PART NUMBER	Q'TY	DESCRIPTION	REMARKS	NOTE1	NOTE2
		125200-13124	1	CARBURETOR	C1U-K54A	Sus. by 125200-13125	
		125200-13125	1	CARBURETOR	C1U-K54A		
1	+	P005-000980	4	SCREW			
2	+	P005-000620	1	RETAINER			
3	+	125381-08660	1	PUMP, PRIMING			
5	+	P005-000970	1	BASE, PRIMER			
6	+	125341-07360	1	DIAPHRAGM			
7	+	125340-20560	1	GASKET, DIAPHRAGM			
8	+	125339-42030	1	SCREW			
9	+	125338-13930	1	PIN, METERING ARM			
10	+	125323-42030	1	LEVER, METERING			
11	+	125322-42030	1	SPRING, COIL			
12	+	125337-06960	1	VALVE, INLET NEEDLE			
13	+	125345-15130	1	PLUG, WELCH			
14	+	125327-15130	1	CLIP			
15	+	125376-13120	1	NOZZLE, CHECK VALVE			
16	+	125326-42030	1	STRAINER			
17	+	125312-12820	1	DIAPHRAGM, FUEL PUMP			
18	+	125325-13310	1	GASKET, PUMP			
19	+	125324-12820	1	COVER, PUMP			
20	+	125310-12820	2	SCREW			
21	+	125334-06960	1	SCREW, THROTTLE ADJUST			
22	+	125333-06960	1	SPRING, IDLE ADJUSTER			
23	+	125313-42030	1	SPRING, THRT. RETURN			
24	+	P005-001070	1	SHAFT, THROTTLE			

5. Carburetor



KEY	LV	PART NUMBER	Q'TY	DESCRIPTION	REMARKS	NOTE1	NOTE2
25	+	125372-42030	1	SWIVEL			
26	+	125327-13930	1	CLIP			
28	+	125320-13310	1	NEEDLE, HIGH SPEED			
30	+	125318-13120	1	SCREW, IDLE NEEDLE			
31	+	125314-13930	1	SCREW	3*4		
32	+	125316-49030	1	VALVE, THROTTLE			
33	+	125306-13120	1	PUMP KIT, ACC.		Sus. by P005-002020	
34		125329-09860	1	LIMITER, MIXTURE			
35		125329-39030	1	LIMITER, MIXTURE			

6. Repair Kit

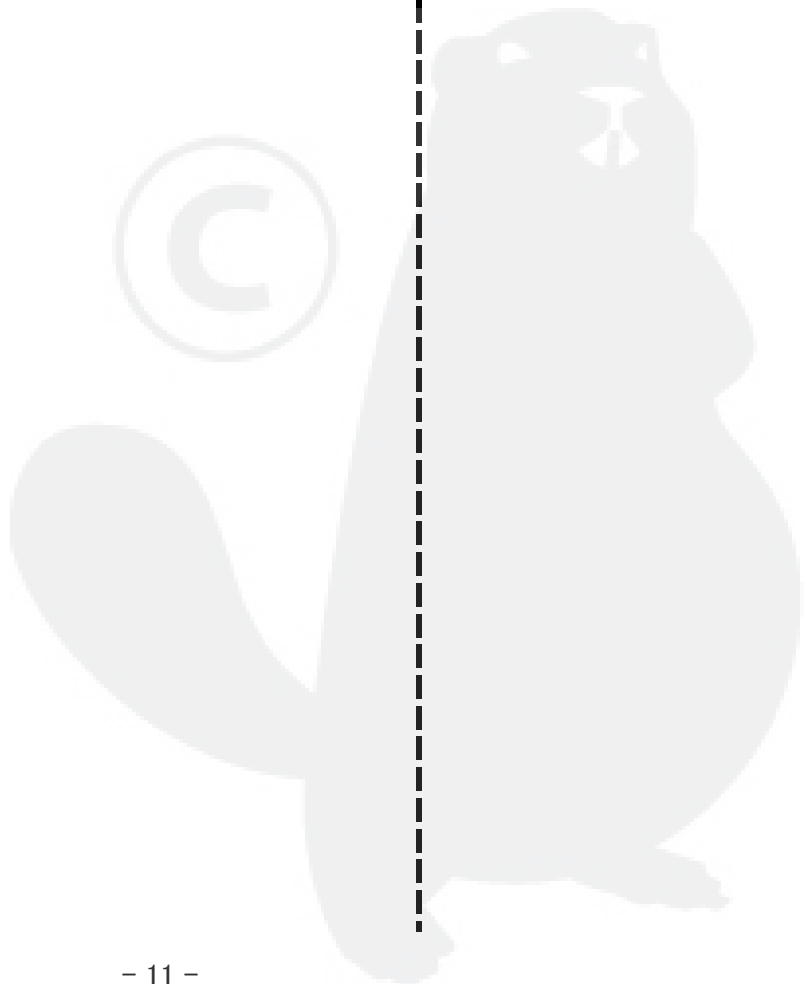
KEY	LV	PART NUMBER	Q'TY	DESCRIPTION	REMARKS	NOTE1	NOTE2
		125303-13120	1	GASKET/DIAPHRAGM KIT			
5-6	+	125341-07360	1	DIAPHRAGM			
5-7	+	125340-20560	1	GASKET, DIAPHRAGM			
517	+	125312-12820	1	DIAPHRAGM, FUEL PUMP			
518	+	125325-13310	1	GASKET, PUMP			
		125300-13120	1	REBUILD KIT			
5-6	+	125341-07360	1	DIAPHRAGM			
5-7	+	125340-20560	1	GASKET, DIAPHRAGM			
5-9	+	125338-13930	1	PIN, METERING ARM			
510	+	125323-42030	1	LEVER, METERING			
511	+	125322-42030	1	SPRING, COIL			
512	+	125337-06960	1	VALVE, INLET NEEDLE			
513	+	125345-15130	1	PLUG, WELCH			
516	+	125326-42030	1	STRAINER			
517	+	125312-12820	1	DIAPHRAGM, FUEL PUMP			
518	+	125325-13310	1	GASKET, PUMP			

Index

Patrs Number	Key No.	Patrs Number	Key No.	Patrs Number	Key No.
100013-11520	1 - 16	125340-20560	6 - 5-7	178024-07930	2 - 32
100014-11520	1 - 14	125341-07360	5 - 6	178043-07930	2 - 38
100015-04630	1 - 15	125341-07360	6 - 5-6	178052-07930	2 - 39
100143-42030	1 - 23	125341-07360	6 - 5-6	178100-11820	2 - 41
100204-11521	1 - 4	125345-15130	5 - 13	178110-05330	2 - 40
100212-42031	1 - 5	125345-15130	6 - 513	178510-04560	2 - 11
100215-03930	1 - 8	125372-42030	5 - 25	178515-04560	2 - 15
100242-42030	1 - 11	125376-13120	5 - 15	178516-00830	2 - 14
101506-11820	1 - 22	125381-08660	5 - 3	178810-05230	2 - 13
101506-11821	1 - 22	130010-42032	2 - 5	210417-52730	2 - 21
125200-13124	2 - 10	130016-42031	2 - 9	351012-07930	2 - 31
125200-13124	5 -	130017-42031	2 - 7	610325-02730	1 - 12
125200-13125	2 - 10	130111-00530	4 - 10	890118-49130	3 - 4
125200-13125	5 -	130301-04560	2 - 12	900105-05050	2 - 28
125300-13120	6 -	130302-44733	2 - 19	900162-04022	3 - 24
125303-13120	6 -	130310-04560	2 - 18	900162-05022	1 - 20
125306-13120	5 - 33	130410-44730	2 - 16	900162-05028	1 - 6
125310-12820	5 - 20	131004-09060	4 - 4	900238-04016	3 - 5
125312-12820	5 - 17	131005-11821	4 - 7	900238-04018	1 - 21
125312-12820	6 - 517	131016-55830	4 - 5	900238-05020	2 - 8
125312-12820	6 - 517	131051-56030	4 - 6	900242-04010	2 - 29
125313-42030	5 - 23	131205-07320	4 - 15	900242-05057	2 - 17
125314-13930	5 - 31	131300-56430	4 - 9	900245-04025	2 - 33
125316-49030	5 - 32	132010-49030	4 - 18	900246-04008	2 - 36
125318-13120	5 - 30	132013-09820	4 - 14	900275-05015	4 - 16
125320-13310	5 - 28	132115-46730	4 - 13	900500-00005	2 - 6
125322-42030	5 - 11	145619-11820	2 - 27	900502-00006	2 - 42
125322-42030	6 - 511	145810-11520	2 - 24	900560-00005	2 - 34
125323-42030	5 - 10	145866-42031	2 - 26	900600-00005	2 - 25
125323-42030	6 - 510	145871-11521	2 - 23	900605-00008	3 - 17
125324-12820	5 - 19	156110-04920	3 - 27	900720-00004	2 - 20
125325-13310	5 - 18	159010-13930	3 - 28	91113-04020	3 - 24
125325-13310	6 - 518	15901-030330	3 - 28	94035-36201	1 - 9
125325-13310	6 - 518	159011-03432	3 - 29	A011-000210	1 - 2
125326-42030	5 - 16	159012-01620	3 - 30	A101-000000	1 - 17
125326-42030	6 - 516	162021-52830	3 - 26	A130-000420	1 - 19
125327-13930	5 - 26	163400-07930	2 - 35	A409-000150	3 - 23
125327-15130	5 - 14	177200-11860	3 - 7	A411-000130	3 - 25
125329-09860	5 - 34	177200-11861	3 - 7	P005-000620	5 - 2
125329-39030	5 - 35	177202-44331	3 - 18	P005-000970	5 - 5
125333-06960	5 - 22	177215-44430	3 - 10	P005-000980	5 - 1
125334-06960	5 - 21	177218-44330	3 - 19	P005-001070	5 - 24
125337-06960	5 - 12	177220-42030	3 - 9	P021-001101	1 - 13
125337-06960	6 - 512	177227-42030	3 - 14	P021-001102	1 - 13
125338-13930	5 - 9	177228-11120	3 - 15	P022-006800	3 - 13
125338-13930	6 - 5-9	177234-12220	3 - 20	V100-000080	1 - 18
125339-42030	5 - 8	177236-44330	3 - 12	V471-001200	4 - 11
125340-20560	5 - 7	177246-11120	3 - 16	V471-001230	4 - 12
125340-20560	6 - 5-7	178010-07930	2 - 37	V475-002200	3 - 21

Index

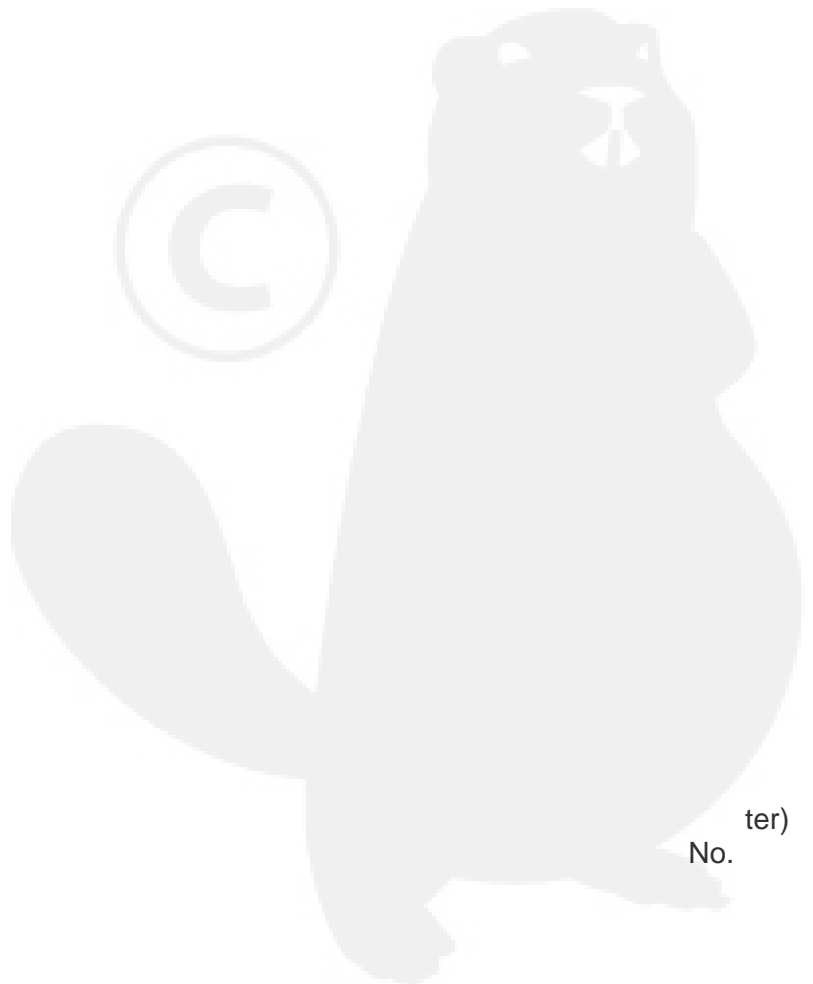
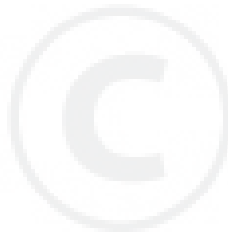
Patrs Number	Key No.	Patrs Number	Key No.	Patrs Number	Key No.
V553-000010	1 - 3				
X506-000020	2 - 22				
X506-000070	2 - 22				



YAMABIKO CORPORATION

7-2 SUEHIROCHO 1-CHOME, OHME, TOKYO 198-8760, JAPAN
PHONE: 81-428-32-6118. FAX: 81-428-32-6145.

ECHO[®]



No. ter)