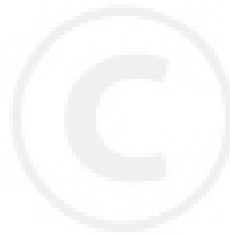




PARTS CATALOG

WATER PUMP

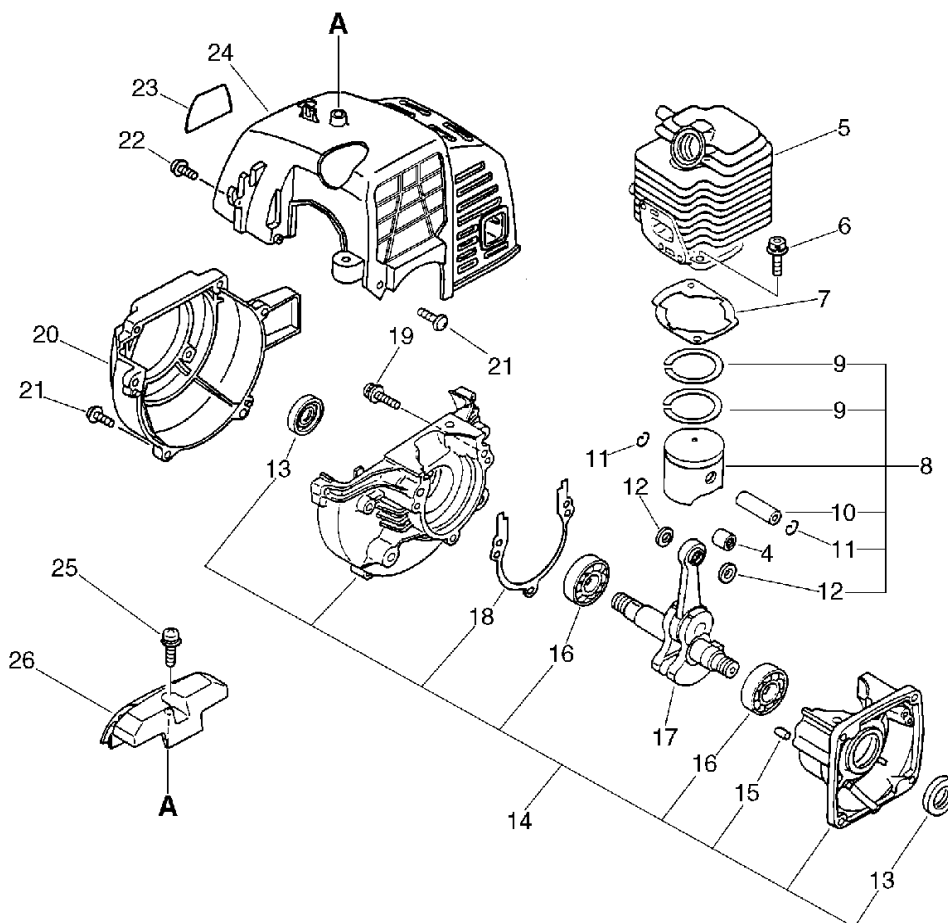
WP-1000



WP-1000

1. Cylinder, Crankcase, Piston

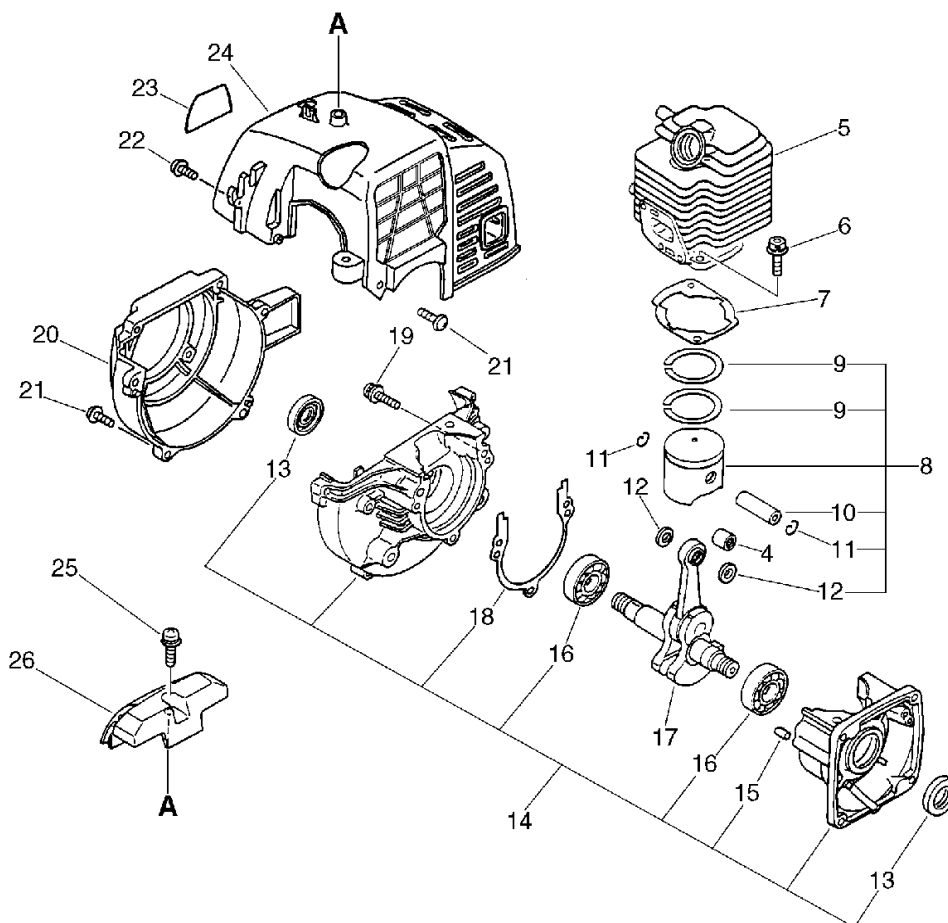
No.1



KEY	LV	PART NUMBER	Q'TY	DESCRIPTION	REMARKS	NOTE1	NOTE2
5		101011-47630	1	CYLINDER		Sus. by 101011-06562	
5		101011-06562	1	CYLINDER		Sr/Nr 012403 and before	
5		A130-000020	1	CYLINDER		Sus. by A130-000021	
5		A130-000021	1	CYLINDER		Sr/Nr 012404 and after	
6		900162-05022	2	BOLT, H.S. 5*22	5*22 W,SW		
7		101010-44332	1	GASKET, CYL. BASE			
8		100000-44331	1	PISTON KIT		Sus. by 100000-11520	
8		100000-11520	1	PISTON KIT		Sr/Nr 012403 and before	
8		P021-000410	1	PISTON KIT		Sus. by P021-001102	
8		P021-000411	1	PISTON KIT		Sus. by P021-001102	
8		P021-001101	1	PISTON KIT		Sus. by P021-001102	
8		P021-001102	1	PISTON KIT		Sr/Nr 012404 and after	
9	+	100011-05330	1	RING, PISTON		Can be used on the 101011-47630 only	

1. Cylinder, Crankcase, Piston

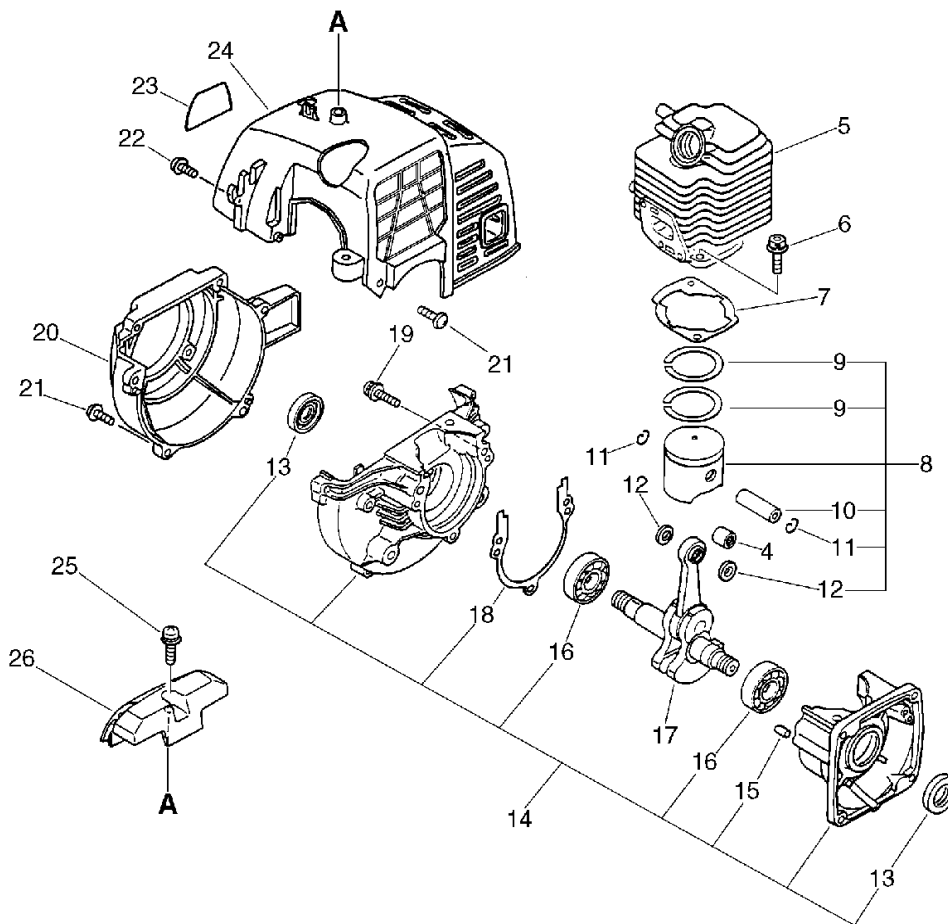
No.1



KEY	LV	PART NUMBER	Q'TY	DESCRIPTION	REMARKS	NOTE1	NOTE2
9	+	100011-05330	2	RING, PISTON		Sr/Nr 012403 and before	
9	+	A101-000000	2	RING, PISTON		Sr/Nr 012404 and after	
10	+	100013-11520	1	PIN, PISTON			
11	+	100015-04630	2	CIRCLIP, PISTON PIN			
12	+	100014-11520	2	SPACER, PISTON PIN			
14		100204-52130	1	CRANKCASE KIT		Sus. by 100204-52132	
14		100204-52131	1	CRANKCASE KIT		Sus. by 100204-52132	
14		100204-52132	1	CRANKCASE KIT			
13	+	100212-42030	2	OILSEAL	ISCD12*22*4.5	Sus. by 100212-42031	
13	+	100212-42031	2	OILSEAL	ISCD 12*22*4.5		
15	+	100215-03930	2	PIN, DOWEL			
16	+	900810-36201	2	BEARING, BALL 6201	6201/C3	Sus. by 94035-36201	
16	+	94035-36201	2	BEARING BALL	6201X3JR2C3		
18	+	100242-42030	1	GASKET, CRANKCASE			
19	+	900162-05028	3	BOLT, H.S. 5*28	5*28 W, SW		
17		100100-54130	1	CRANKSHAFT ASSY		Sus. by 100100-44733	
17		100100-44732	1	CRANKSHAFT ASSY		Sus. by 100100-44733	

1. Cylinder, Crankcase, Piston

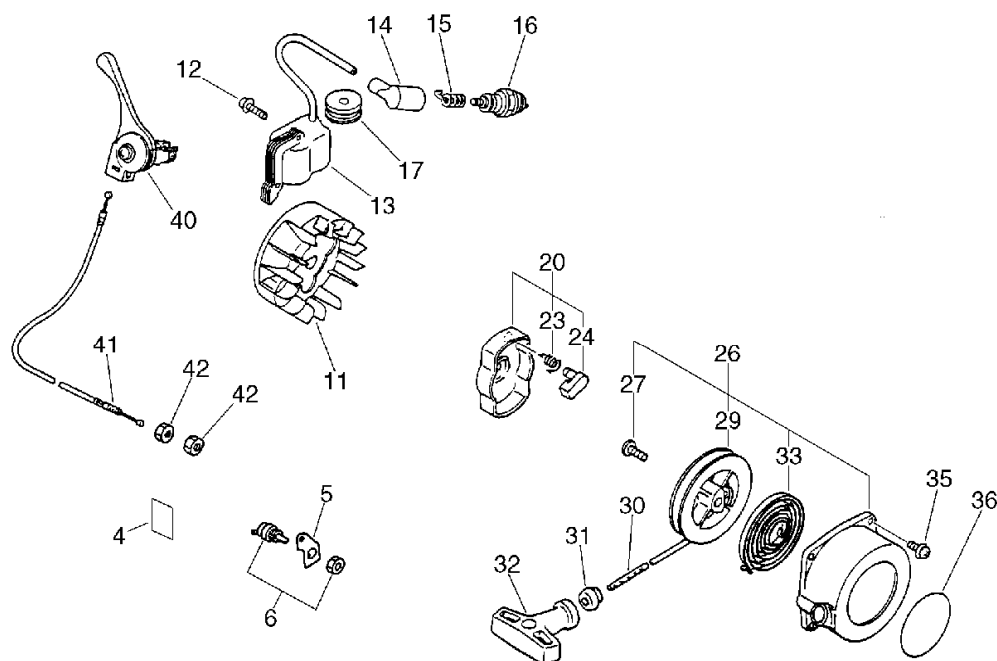
No.1



KEY	LV	PART NUMBER	Q'TY	DESCRIPTION	REMARKS	NOTE1	NOTE2
17		100100-44733	1	CRANKSHAFT			
4	+	100012-51230	1	BEARING, NEEDLE	8*12*10	Sus. by V553-000030	
4	+	V553-000030	1	BEARING, NEEDLE 8			
20		101511-49230	1	COVER, FAN			
21		900162-04016	6	BOLT, H.S. 4*16	4*16 W,SW	Sus. by 900163-04016	
21		900163-04016	6	BOLT HSH			
22		900238-04012	2	SCREW 4*12	4*12		
23		890151-12620	1	LABEL, MODEL			
24		101514-48730	1	COVER, CYLINDER		Sus. by 101514-48731	
24		101514-48731	1	COVER, CYLINDER			
25		900253-05016	1	SCREW	5*16		
26		159912-48630	1	GUARD, TOP			

2. Starter, Magneto

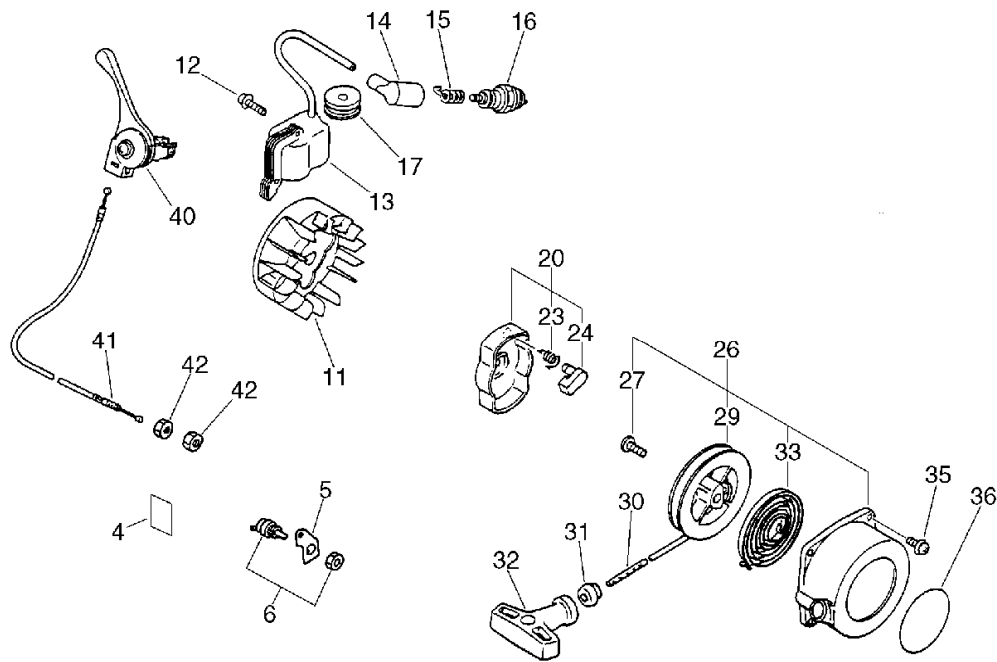
No.2



KEY	LV	PART NUMBER	Q'TY	DESCRIPTION	REMARKS	NOTE1	NOTE2
4		890157-06560	1	LABEL, SWITCH			
5		163810-44330	1	BRACKET, SWITCH			
6		163400-03460	1	SWITCH, IGNITION			
11		156801-44731	1	FLYWHEEL			
11		156801-12360	1	ROTOR, MAGNETO		Sus. by 156801-44731	
12		900162-04022	2	BOLT, H.S. 4*22	4*22 W,SW		
13		156601-52130	1	COIL, IGNITION			
14		159012-01620	1	CAP, SPARK PLUG			
15		159011-03432	1	COIL, SPARK PLUG			
16		159010-10230	1	PLUG, SPARK (BPMR-7A)	BPMR-7A		
17		150112-44330	1	BUSHING			
20		177202-44330	1	PAWL ASSY, STARTER		Sus. by 177202-44331	
20		177202-44331	1	PAWL ASM., STARTER			
23	+	177234-42030	1	SPRING, RETURN		Sus. by 177234-12220	
23	+	177234-12220	1	SPRING, PAWL			
24	+	177218-44330	1	PAWL, STARTER	BLACK		
26		177200-42033	1	STARTER ASSY			
27	+	177236-44330	1	SCREW			
29	+	177215-44430	1	DRUM, STARTER			
30	+	177226-10120	1	ROPE, STARTER	3.0*1000		
31	+	177227-42030	1	GUIDE, ROPE			
32	+	177228-06530	1	GRIP, STARTER			
33	+	177220-42030	1	SPRING, REWIND			

2. Starter, Magneto

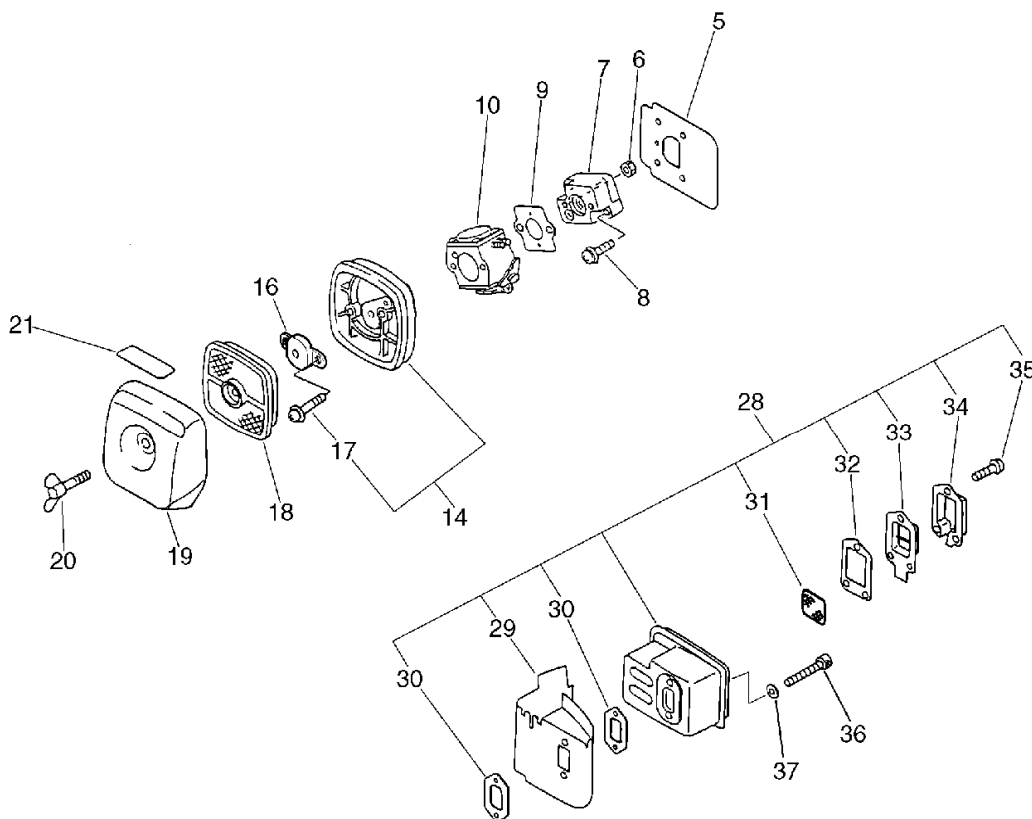
No.2



KEY	LV	PART NUMBER	Q'TY	DESCRIPTION	REMARKS	NOTE1	NOTE2
35		900162-04016	2	BOLT, H.S. 4*16	4*16 W,SW	Sus. by 900163-04016	
35		900163-04016	2	BOLT HSH			
36		890118-49130	1	LABEL, ECHO			
40		178000-12020	1	CONTROL, THROTTLE			
41		178001-12620	1	WIRE, THROTTLE			
42		900502-00006	2	NUT 6 (3N)	3N6		

3. Air Cleaner, Muffler

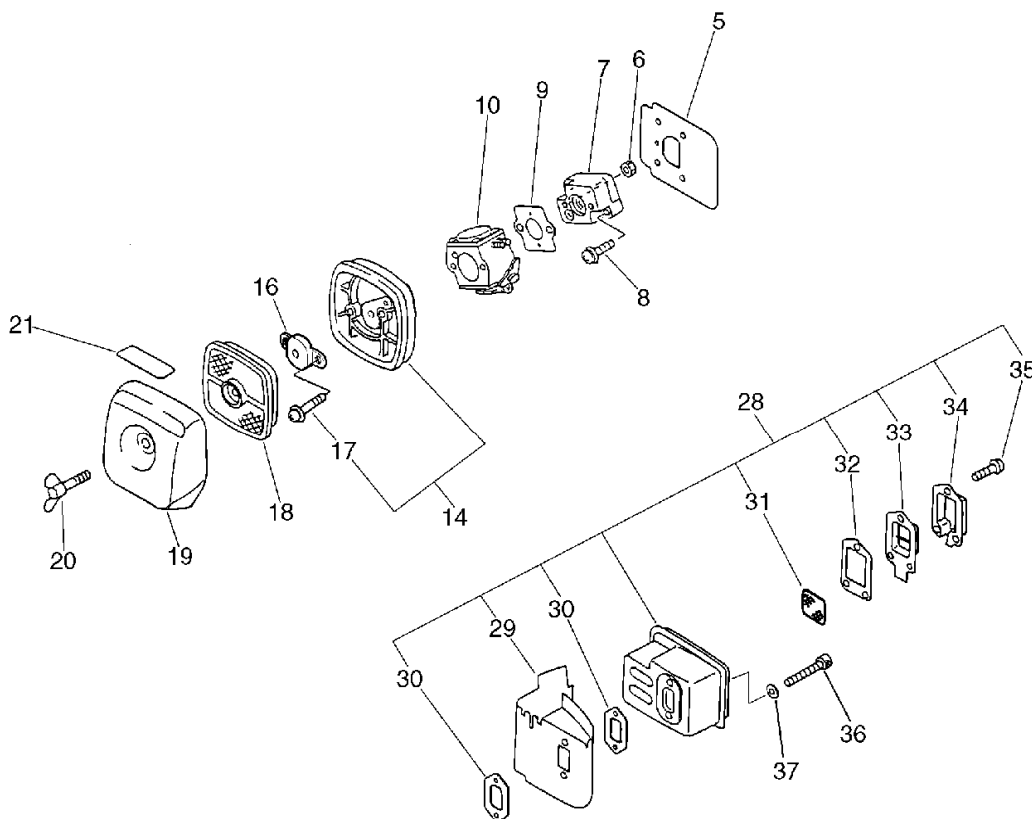
No.3



KEY	LV	PART NUMBER	Q'TY	DESCRIPTION	REMARKS	NOTE1	NOTE2
5		130010-42032	1	GASKET,INTAKE			
6		900500-00005	2	NUT 5	5		
7		130017-42031	1	INSULATOR, INTAKE			
8		900238-05020	2	SCREW 5*20	5*20		
9		V103-000111	1	GASKET,INTAKE		Sus. by 130016-42031	
9		130016-42031	1	GASKET, INTAKE			
10		125200-09920	1	CARBURETOR ASSY	C1U-K55	Sus. by 125200-09923	
10		125200-09921	1	CARBURETOR	C1U-K55	Sus. by 125200-09923	
10		125200-09922	1	CARBURETOR C1M-K55	C1U-K55	Sus. by 125200-09923	
10		125200-09923	1	CARBURETOR	C1U-K55		
14		130307-06561	1	CASE, AIR CLEANER		Sus. by P021-002921	
14		P021-002921	1	CASE, AIR CLEANER			
17	+	900242-05065	2	SCREW 5*65	5*65		
16		129011-52730	1	PLATE, PREVENT			
18		130310-54130	1	FILTER, AIR			
19		130313-06563	1	LID, AIR CLEANER			
20		210417-52730	1	BOLT, WING	5*20		
21		890121-05360	1	LABEL, METERING			
28		145800-54130	1	MUFFLER ASSY		Sr/Nr 012403 and before	

3. Air Cleaner, Muffler

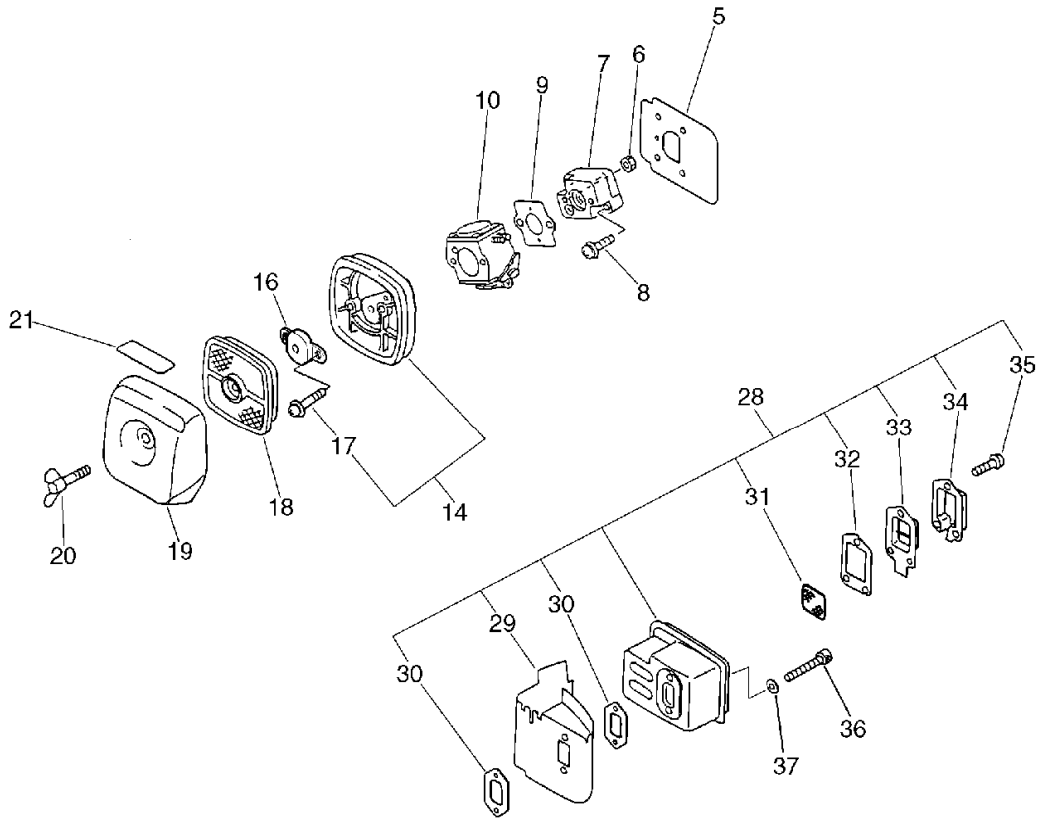
No.3



KEY	LV	PART NUMBER	Q'TY	DESCRIPTION	REMARKS	NOTE1	NOTE2
28		P021-000310	1	MUFFLER ASY		Sus. by P021-000314	
28		P021-000311	1	MUFFLER ASY		Sus. by P021-000314	
28		P021-000312	1	MUFFLER ASY		Sus. by P021-000314	
28		P021-000313	1	MUFFLER ASY		Sus. by P021-000314	
28		P021-000314	1	MUFFLER ASY		Sr/Nr 012404 and after	
29	+	145871-44331	1	COVER, MUFFLER		Sus. by A320-000251	
29	+	145631-42030	1	COVER, MUFFLER		Sus. by A320-000251	
29	+	A320-000250	1	COVER,MUFFLER		Sus. by A320-000251	
29	+	A320-000251	1	COVER,MUFFLER			
30	+	145510-42031	2	GASKET, MUFFLER		Sus. by V104-000160	
30	+	V104-000160	2	GASKET,EXHAUST			
31	+	145862-40630	1	SCREEN, MUFFLER			
32	+	145866-42031	1	GASKET, MUFFLER LID		Sr/Nr 012403 and before	
32	+	V104-000001	1	GASKET,EXHAUST		Sus. by V104-000003	

3. Air Cleaner, Muffler

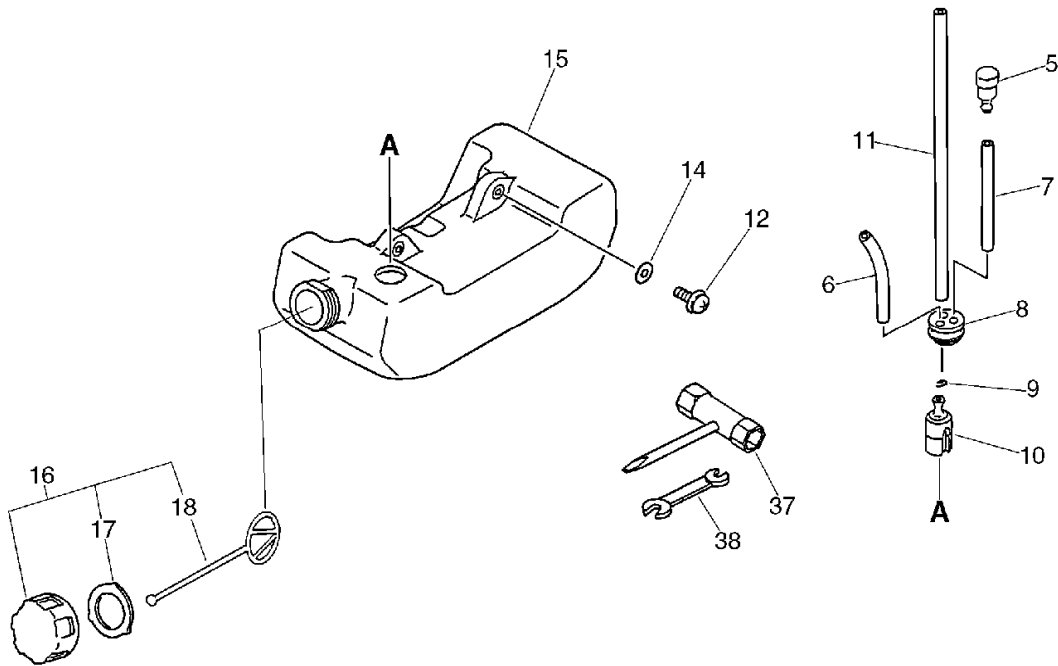
No.3



KEY	LV	PART NUMBER	Q'TY	DESCRIPTION	REMARKS	NOTE1	NOTE2
32	+	V104-000002	1	GASKET,EXHAUST		Sus. by V104-000003	
32	+	V104-000003	1	GASKET,EXHAUST		Sr/Nr 012404 and after	
33	+	145876-42030	1	LID, MUFFLER (B)			
34	+	145863-54130	1	FIXTURE, SCREEN		Sr/Nr 012403 and before	
34	+	A313-000000	1	GUIDE,EXH		Sr/Nr 012404 and after	
35	+	900238-04010	3	SCREW 4*10	4*10		
36		900105-05055	2	BOLT, H.S. 5*55	5*55		
37		900600-00005	2	WASHER 5	5		

4. Fuel Tank, Tools

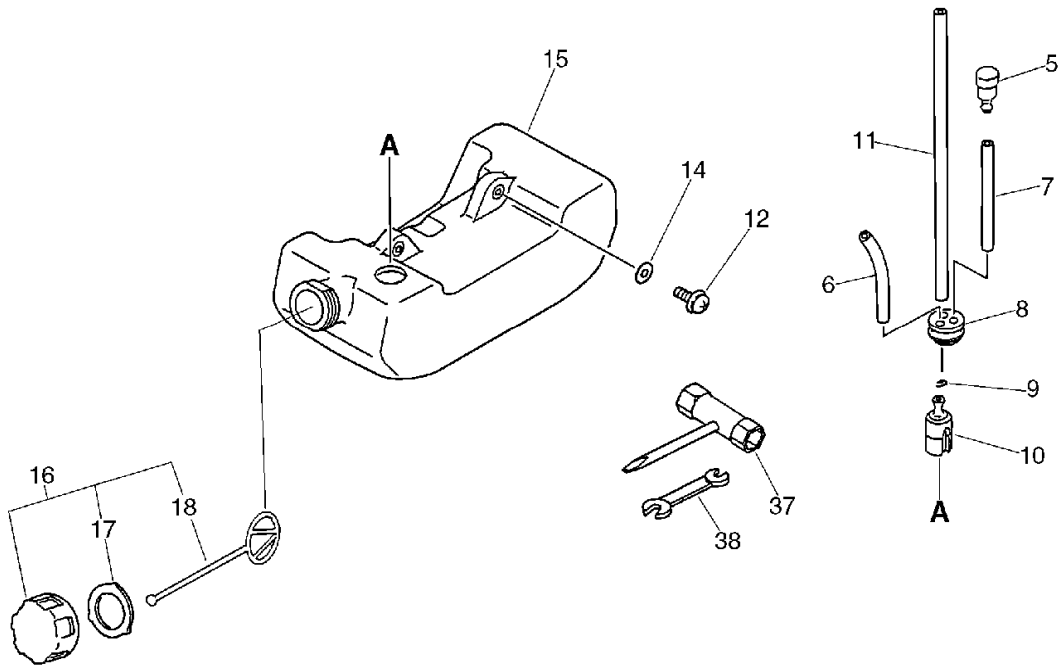
No.4



KEY	LV	PART NUMBER	Q'TY	DESCRIPTION	REMARKS	NOTE1	NOTE2
5		131300-56430	1	VALVE, CHECK		Sus. by A356-000030	
5		A356-000030	1	VALVE,CHECK			
6		132010-56330	1	PIPE 3*6*90	3*6*90 YL		
7		131312-44330	1	PIPE, 3*5*70L	3*5*70L NBR	Sus. by V471-001200	
7		131312-39130	1	PIPE	3*5*70(+3)NBR	Sus. by V471-001200	
7		V471-001200	1	PIPE	3*5*70 NBR		
8		132115-46730	1	GROMMET, FUEL		Sus. by V137-000030	
8		V137-000030	1	GROMMET,FUEL			
9		132013-09820	1	CLIP	6MM		
10		131205-07320	1	STRAINER, FUEL			
11		132010-13930	1	PIPE, FUEL	3*5*180L NBR	Sus. by V471-001190	
11		V471-001190	1	PIPE	3*5*180 NBR		
12		900238-05016	2	SCREW 5*16	5*16	Sus. by 900162-05016	
12		900162-05016	2	BOLT, H.S. 5*16	5*16 W,SW		
14		900603-00005	2	WASHER 5	5.5*12*0.8		
15		131005-46830	1	TANK, FUEL		Sus. by 131005-46831	
15		131005-46831	1	TANK, FUEL			
16		131004-08960	1	CAP ASSY, FUEL			
17	+	131016-55830	1	GASKET, FUEL CAP			

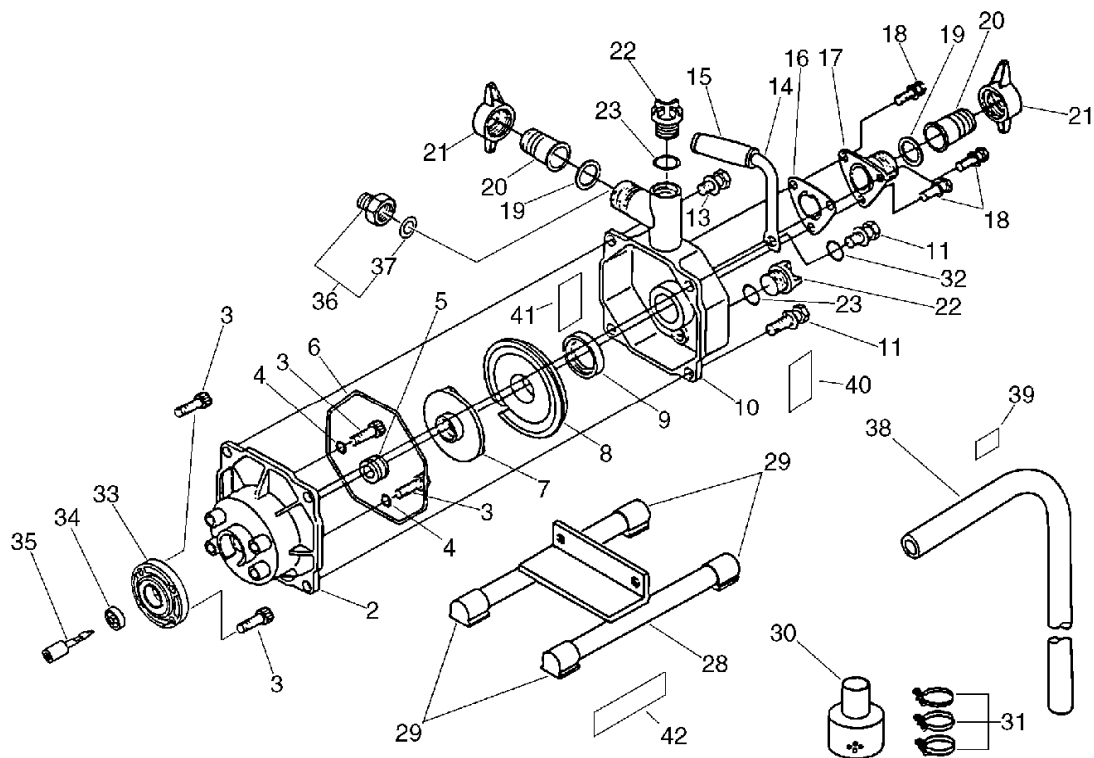
4. Fuel Tank, Tools

No.4



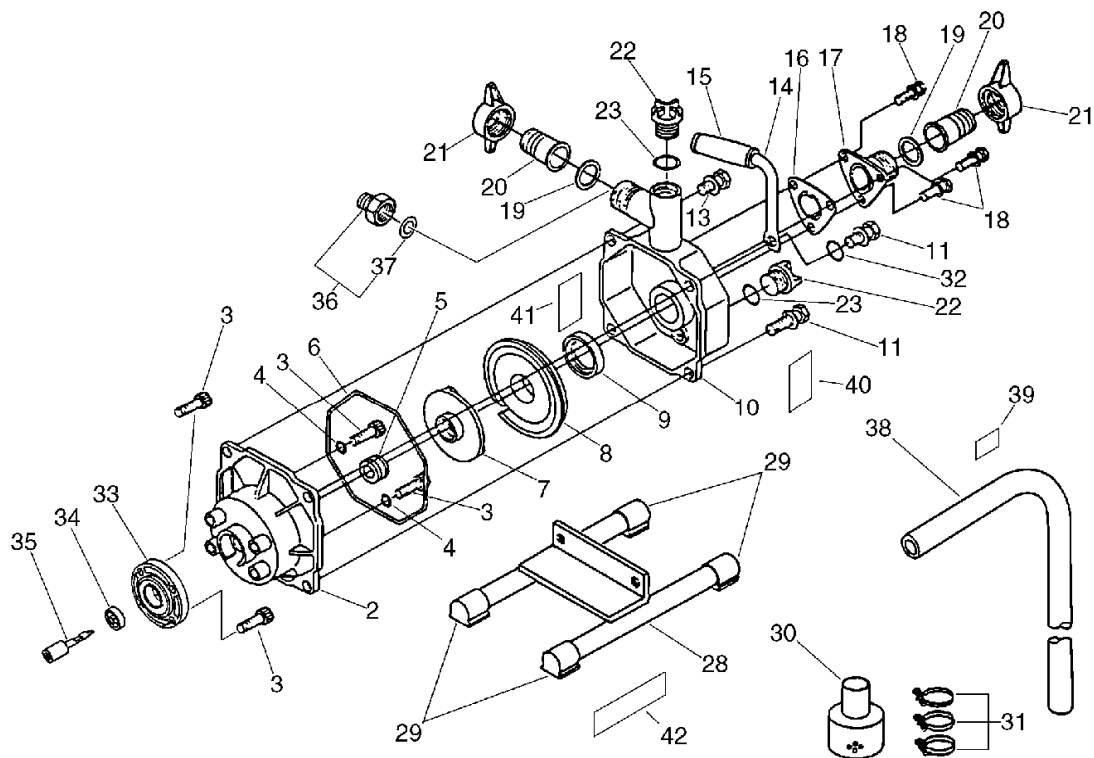
KEY	LV	PART NUMBER	Q'TY	DESCRIPTION	REMARKS	NOTE1	NOTE2
18	+	131051-52430	1	CONNECTOR, CAP	80L		
37		895410-08030	1	WRENCH, W/S. DRIVER		Sus. by X602-000020	
37		X602-000020	1	TOOL,WRENCH	17*19 L200		
38		895112-00330	1	SPANNER 8*10			

5. 1" Pump
No.5



KEY	LV	PART NUMBER	Q'TY	DESCRIPTION	REMARKS	NOTE1	NOTE2
2		400210-12620	1	CASE, PUMP			
3		900105-05025	8	BOLT, H.S. 5*25	5*25		
4		100143-12620	4	WASHER			
5		400100-12620	1	SEAL, MECHANICAL			
6		900725-03150	1	O-RING 3150	JASO 3150		
7		400110-12620	1	IMPELLER			
8		400217-12620	1	CASE, VOLUTE			
9		400212-12620	1	GASKET, PUMP LID			
10		400213-12620	1	CASE, PUMP			
11		900155-08035	3	BOLT, TAPPING 8*35	8*35	Sus. by 900155-08030	
11		900155-08030	3	BOLT, TAPPING	8*30		
13		900155-08025	1	BOLT, TAPPING 8*25	8*25	Sus. by 900155-08030	
13		900155-08030	1	BOLT, TAPPING	8*30		
14		351010-12620	1	HANDLE			
15		351012-12620	1	GRIP, REAR HANDLE			
16		429650-12620	1	VALVE, CHECK			
17		429651-12620	1	CASE, CHECK VALVE			
18		900117-06020	3	BOLT 6*20	6*20		
19		382014-12620	2	GASKET			
20		384026-12620	2	NIPPLE 1IN			
21		382016-12620	2	HOLLOW NUT			
22		400216-12620	2	PLUG			
23		900720-00024	2	O-RING (P-24)	P-24		
28		403910-12620	1	FRAME, PUMP			

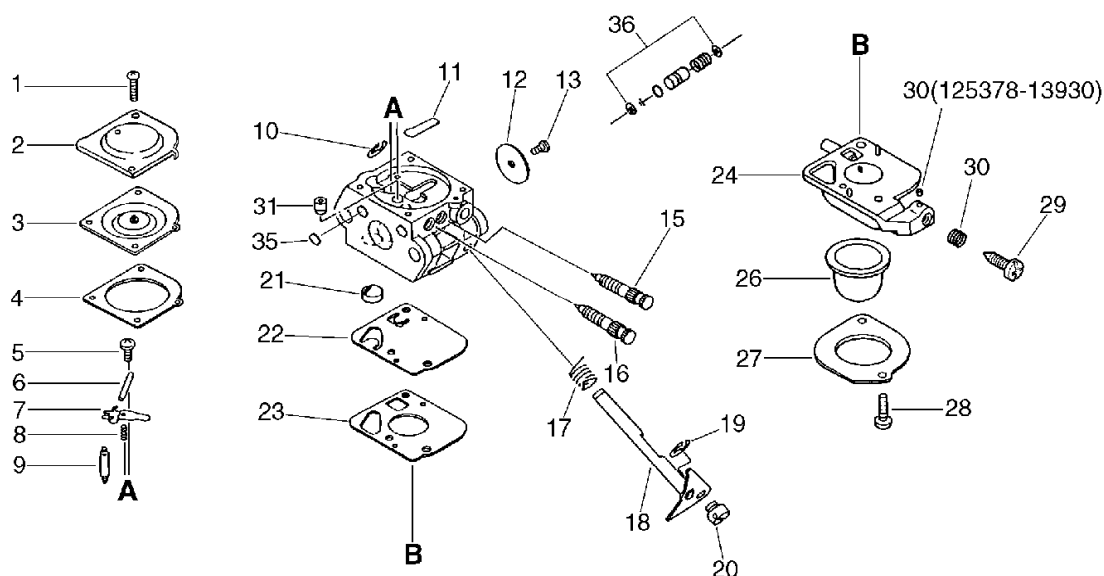
5. 1" Pump
No.5



KEY	LV	PART NUMBER	Q'TY	DESCRIPTION	REMARKS	NOTE1	NOTE2
29		100910-12620	4	CUSHION			
30		383013-12621	1	STRAINER			
31		385014-12620	3	BAND, HOSE			
32		900611-00008	1	LOCKWASHER 8	TWB8		
33		100209-12620	1	ADAPTER ASSY, PUMP			
34	+	900814-36201	1	BEARING, BALL 6201	6201		
35		400112-12620	1	SHAFT, PUMP			
36		382005-12620	1	NIPPLE 1IN*3/4IN			
37	+	382018-12620	1	GASKET			
38		382013-12620	1	PIPE, SUCTION 1IN*10			
39		890348-05060	1	LABEL, SPEED			
40		890617-12620	1	LABEL, CAUTION		Sus. by 890617-07660	
40		890617-07660	1	LABEL, CAUTION			
41		890317-12620	1	LABEL, CAUTION			
42		890160-12620	1	LABEL, CAUTION			

6. Carburetor

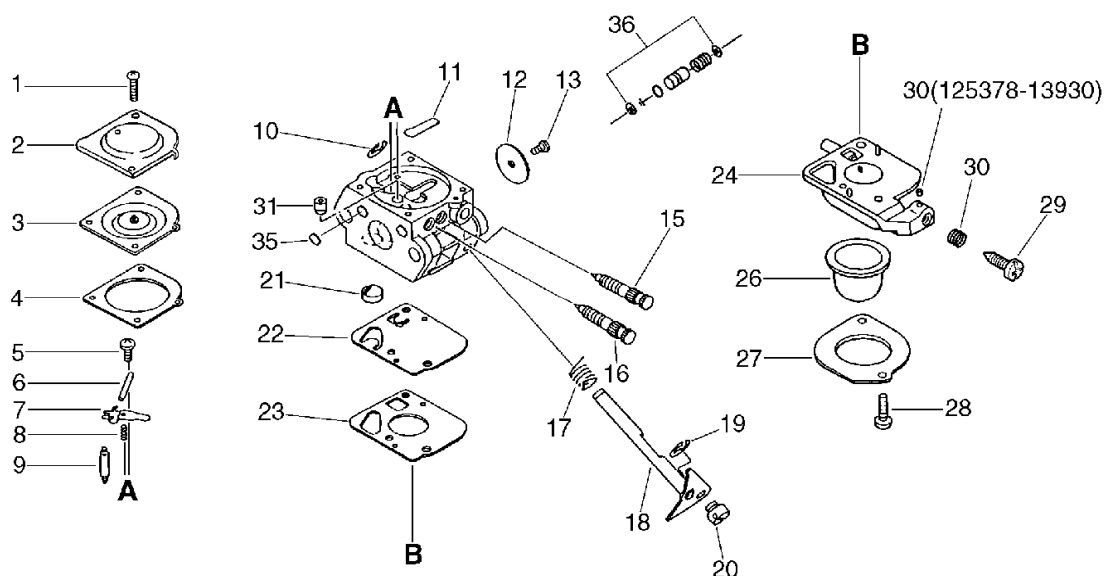
No.6



KEY	LV	PART NUMBER	Q'TY	DESCRIPTION	REMARKS	NOTE1	NOTE2
		125200-09920	1	CARBURETOR ASSY	C1U-K55	Sus. by 125200-09923	
		125200-09921	1	CARBURETOR	C1U-K55	Sus. by 125200-09923	
		125200-09922	1	CARBURETOR C1M-K55	C1U-K55	Sus. by 125200-09923	
		125200-09923	1	CARBURETOR	C1U-K55		
1	+	125344-52130	2	SCREW			
2	+	125342-13210	1	COVER, DIAPHRAGM			
3	+	125341-49030	1	DIAPHRAGM			
4	+	125340-51030	1	GASKET, DIAPHRAGM			
5	+	125339-42030	1	SCREW			
6	+	125338-13930	1	PIN, METERING ARM			
7	+	125323-42030	1	LEVER, METERING			
8	+	125322-42030	1	SPRING, COIL			
9	+	125337-06960	1	VALVE, INLET NEEDLE			
10	+	125327-15130	1	CLIP			
11	+	125345-15130	1	PLUG, WELCH			
12	+	125316-09920	1	VALVE, THROTTLE			
13	+	125314-13930	1	SCREW	3*4		
15	+	125318-09920	1	SCREW, IDLE NEEDLE			
16	+	125320-13310	1	NEEDLE, HIGH SPEED			
17	+	125313-42030	1	SPRING, THRT. RETURN			
18	+	125317-13310	1	SHAFT, THROTTLE			
19	+	125327-13930	1	CLIP			
20	+	125372-42030	1	SWIVEL			

6. Carburetor

No.6



KEY	LV	PART NUMBER	Q'TY	DESCRIPTION	REMARKS	NOTE1	NOTE2
21	+	125326-42030	1	STRAINER			
22	+	125312-12820	1	DIAPHRAGM, FUEL PUMP			
23	+	125325-13310	1	GASKET, PUMP			
24	+	125383-13310	1	BASE, PRIMER		Sus. by P005-000590	
24	+	P005-000590	1	BASE,ASY PRIMER			
26	+	125381-08660	1	PUMP, PRIMING			
27	+	125363-11610	1	RING			
28	+	125310-11610	2	SCREW			
29	+	125334-13930	1	SCREW, IDLE ADJUST		Sr/Nr 012397 and before	
29	+	125334-06960	1	SCREW, THROTTLE ADJUST		Sr/Nr 012398 and after	
30	+	125378-13930	1	PIECE, FRICTION		Sr/Nr 012397 and before	
30	+	125333-06960	1	SPRING, IDLE ADJUSTER		Sr/Nr 012398 and after	
31	+	125376-49030	1	NOZZLE, CHACK VALVE		Sus. by P005-001050	
31	+	P005-001050	1	NOZZLE, CHECK VALVE			
35	+	125345-13310	1	PLUG, WELCH			
36	+	125306-13120	1	PUMP KIT, ACC.			
		125303-13310	1	DIAPHRAGM/GASKET KIT			
		125300-13310	1	REBUILD KIT			

7. Repair Kit

KEY	LV	PART NUMBER	Q'TY	DESCRIPTION	REMARKS	NOTE1	NOTE2
		889000-12620	1	GASKET KIT			
	+	101010-12620	1	GASKET, CYL. BASE			
	+	100242-42030	1	GASKET, CRANKCASE			
	+	130016-42031	1	GASKET, INTAKE			
	+	130012-42032	1	GASKET, INTAKE			
	+	145510-42031	1	GASKET, MUFFLER		Sus. by V104-000160	
	+	V104-000160	1	GASKET, EXHAUST			
		125303-13310	1	DIAPHRAGM/GASKET KIT			
	+	125312-42030	1	DIAPHRAGM, FUEL PUMP			
6-23	+	125325-13310	1	GASKET, PUMP			
6-3	+	125341-49030	1	DIAPHRAGM			
6-4	+	125340-51030	1	GASKET, DIAPHRAGM			
		125300-13310	1	REBUILD KIT			
	+	125312-42030	1	DIAPHRAGM, FUEL PUMP			
6-23	+	125325-13310	1	GASKET, PUMP			
6-9	+	125337-06960	1	VALVE, INLET NEEDLE			
6-8	+	125322-42030	1	SPRING, COIL			
6-7	+	125323-42030	1	LEVER, METERING			
6-6	+	125338-13930	1	PIN, METERING ARM			
6-3	+	125341-49030	1	DIAPHRAGM			
6-4	+	125340-51030	1	GASKET, DIAPHRAGM			
6-21	+	125326-42030	1	STRAINER			
6-11	+	125345-15130	1	PLUG, WELCH			

Index

Patrs Number	Key No.	Patrs Number	Key No.	Patrs Number	Key No.
100000-11520	1 - 8	125317-13310	6 - 18	131005-46830	4 - 15
100000-44331	1 - 8	125318-09920	6 - 15	131005-46831	4 - 15
100011-05330	1 - 9	125320-13310	6 - 16	131016-55830	4 - 17
100011-05330	1 - 9	125322-42030	6 - 8	131051-52430	4 - 18
100012-51230	1 - 4	125322-42030	7 - 6-8	131205-07320	4 - 10
100013-11520	1 - 10	125323-42030	6 - 7	131300-56430	4 - 5
100014-11520	1 - 12	125323-42030	7 - 6-7	131312-39130	4 - 7
100015-04630	1 - 11	125325-13310	6 - 23	131312-44330	4 - 7
100100-44732	1 - 17	125325-13310	7 - 6-23	132010-13930	4 - 11
100100-44733	1 - 17	125325-13310	7 - 6-23	132010-56330	4 - 6
100100-54130	1 - 17	125326-42030	6 - 21	132013-09820	4 - 9
100143-12620	5 - 4	125326-42030	7 - 6-21	132115-46730	4 - 8
100204-52130	1 - 14	125327-13930	6 - 19	145510-42031	3 - 30
100204-52131	1 - 14	125327-15130	6 - 10	145510-42031	7 -
100204-52132	1 - 14	125333-06960	6 - 30	145631-42030	3 - 29
100209-12620	5 - 33	125334-06960	6 - 29	145800-54130	3 - 28
100212-42030	1 - 13	125334-13930	6 - 29	145862-40630	3 - 31
100212-42031	1 - 13	125337-06960	6 - 9	145863-54130	3 - 34
100215-03930	1 - 15	125337-06960	7 - 6-9	145866-42031	3 - 32
100242-42030	1 - 18	125338-13930	6 - 6	145871-44331	3 - 29
100242-42030	7 -	125338-13930	7 - 6-6	145876-42030	3 - 33
100910-12620	5 - 29	125339-42030	6 - 5	150112-44330	2 - 17
101010-12620	7 -	125340-51030	6 - 4	156601-52130	2 - 13
101010-44332	1 - 7	125340-51030	7 - 6-4	156801-12360	2 - 11
101011-06562	1 - 5	125340-51030	7 - 6-4	156801-44731	2 - 11
101011-47630	1 - 5	125341-49030	6 - 3	159010-10230	2 - 16
101511-49230	1 - 20	125341-49030	7 - 6-3	159011-03432	2 - 15
101514-48730	1 - 24	125341-49030	7 - 6-3	159012-01620	2 - 14
101514-48731	1 - 24	125342-13210	6 - 2	159912-48630	1 - 26
125200-09920	3 - 10	125344-52130	6 - 1	163400-03460	2 - 6
125200-09920	6 -	125345-13310	6 - 35	163810-44330	2 - 5
125200-09921	3 - 10	125345-15130	6 - 11	177200-42033	2 - 26
125200-09921	6 -	125345-15130	7 - 6-11	177202-44330	2 - 20
125200-09922	3 - 10	125363-11610	6 - 27	177202-44331	2 - 20
125200-09922	6 -	125372-42030	6 - 20	177215-44430	2 - 29
125200-09923	3 - 10	125376-49030	6 - 31	177218-44330	2 - 24
125200-09923	6 -	125378-13930	6 - 30	177220-42030	2 - 33
125300-13310	6 -	125381-08660	6 - 26	177226-10120	2 - 30
125300-13310	7 -	125383-13310	6 - 24	177227-42030	2 - 31
125303-13310	6 -	129011-52730	3 - 16	177228-06530	2 - 32
125303-13310	7 -	130010-42032	3 - 5	177234-12220	2 - 23
125306-13120	6 - 36	130012-42032	7 -	177234-42030	2 - 23
125310-11610	6 - 28	130016-42031	3 - 9	177236-44330	2 - 27
125312-12820	6 - 22	130016-42031	7 -	178000-12020	2 - 40
125312-42030	7 -	130017-42031	3 - 7	178001-12620	2 - 41
125312-42030	7 -	130307-06561	3 - 14	210417-52730	3 - 20
125313-42030	6 - 17	130310-54130	3 - 18	351010-12620	5 - 14
125314-13930	6 - 13	130313-06563	3 - 19	351012-12620	5 - 15
125316-09920	6 - 12	131004-08960	4 - 16	382005-12620	5 - 36

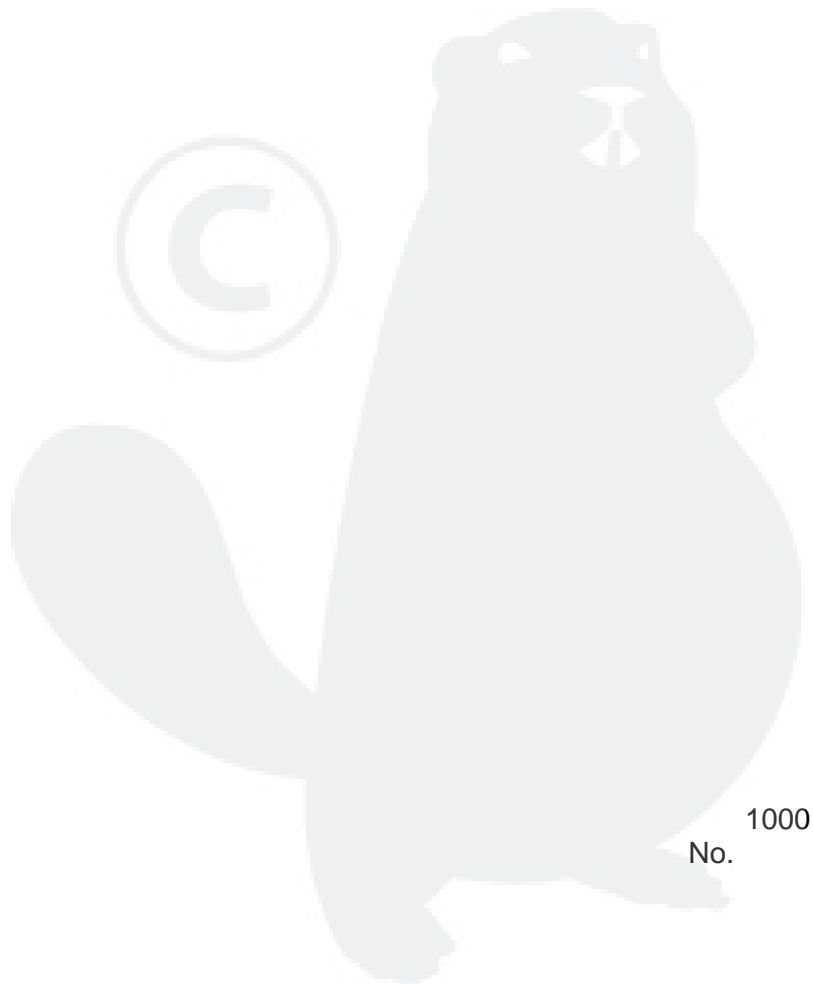
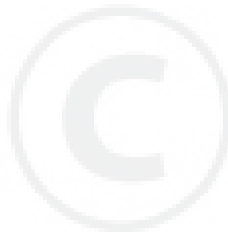
Index

Patrs Number	Key No.	Patrs Number	Key No.	Patrs Number	Key No.
382013-12620	5 - 38	900242-05065	3 - 17		
382014-12620	5 - 19	900253-05016	1 - 25		
382016-12620	5 - 21	900500-00005	3 - 6		
382018-12620	5 - 37	900502-00006	2 - 42		
383013-12621	5 - 30	900600-00005	3 - 37		
384026-12620	5 - 20	900603-00005	4 - 14		
385014-12620	5 - 31	900611-00008	5 - 32		
400100-12620	5 - 5	900720-00024	5 - 23		
400110-12620	5 - 7	900725-03150	5 - 6		
400112-12620	5 - 35	900810-36201	1 - 16		
400210-12620	5 - 2	900814-36201	5 - 34		
400212-12620	5 - 9	94035-36201	1 - 16		
400213-12620	5 - 10	A101-000000	1 - 9		
400216-12620	5 - 22	A130-000020	1 - 5		
400217-12620	5 - 8	A130-000021	1 - 5		
403910-12620	5 - 28	A313-000000	3 - 34		
429650-12620	5 - 16	A320-000250	3 - 29		
429651-12620	5 - 17	A320-000251	3 - 29		
889000-12620	7 -	A356-000030	4 - 5		
890118-49130	2 - 36	P005-000590	6 - 24		
890121-05360	3 - 21	P005-001050	6 - 31		
890151-12620	1 - 23	P021-000310	3 - 28		
890157-06560	2 - 4	P021-000311	3 - 28		
890160-12620	5 - 42	P021-000312	3 - 28		
890317-12620	5 - 41	P021-000313	3 - 28		
890348-05060	5 - 39	P021-000314	3 - 28		
890617-07660	5 - 40	P021-000410	1 - 8		
890617-12620	5 - 40	P021-000411	1 - 8		
895112-00330	4 - 38	P021-001101	1 - 8		
895410-08030	4 - 37	P021-001102	1 - 8		
900105-05025	5 - 3	P021-002921	3 - 14		
900105-05055	3 - 36	V103-000111	3 - 9		
900117-06020	5 - 18	V104-000001	3 - 32		
900155-08025	5 - 13	V104-000002	3 - 32		
900155-08030	5 - 11	V104-000003	3 - 32		
900155-08030	5 - 13	V104-000160	3 - 30		
900155-08035	5 - 11	V104-000160	7 -		
900162-04016	1 - 21	V137-000030	4 - 8		
900162-04016	2 - 35	V471-001190	4 - 11		
900162-04022	2 - 12	V471-001200	4 - 7		
900162-05016	4 - 12	V553-000030	1 - 4		
900162-05022	1 - 6	X602-000020	4 - 37		
900162-05028	1 - 19				
900163-04016	1 - 21				
900163-04016	2 - 35				
900238-04010	3 - 35				
900238-04012	1 - 22				
900238-05016	4 - 12				
900238-05020	3 - 8				

YAMABIKO CORPORATION

7-2 SUEHIROCHO 1-CHOME, OHME, TOKYO 198-8760, JAPAN
PHONE: 81-428-32-6118. FAX: 81-428-32-6145.

ECHO[®]



1000
No.