



PARTS CATALOG

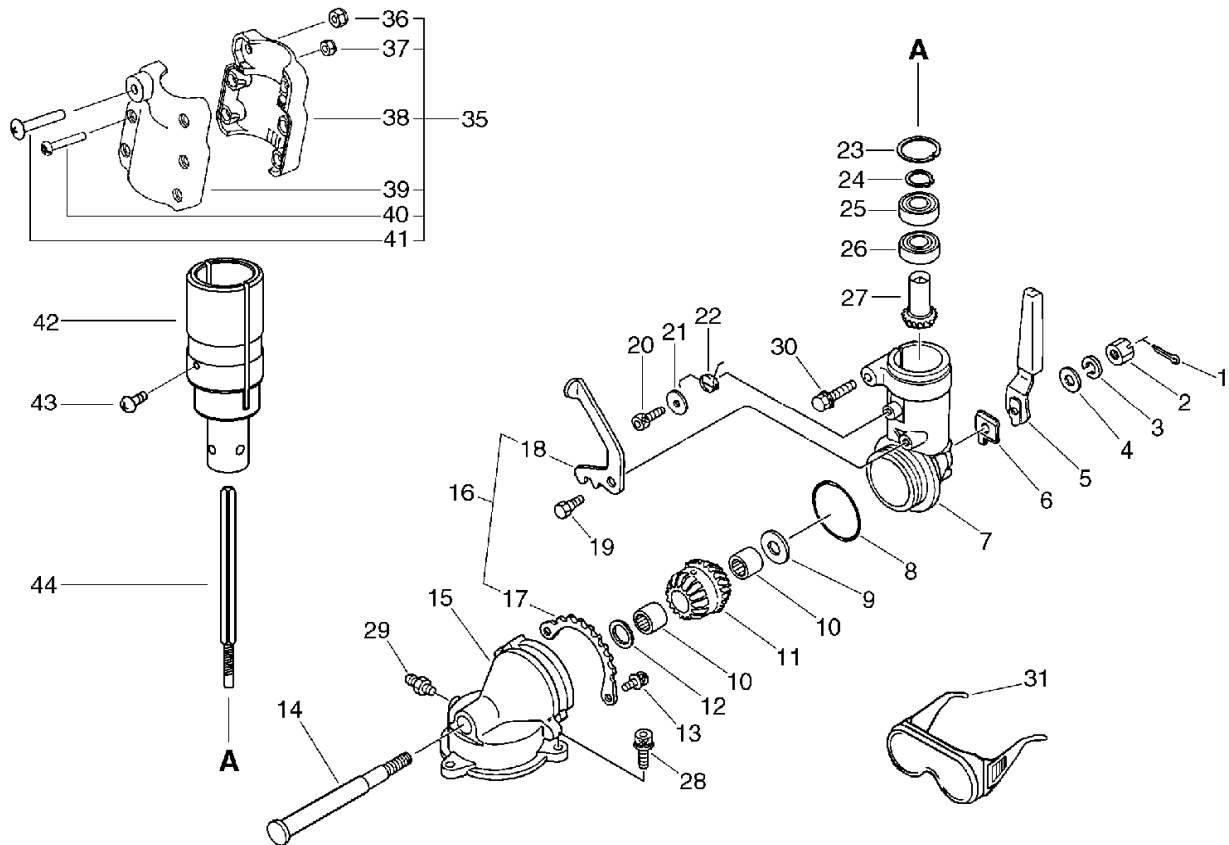
TRIMMER / BRUSHCUTTER ACCESSORY

HCAA-2402

HCAA-2402

1. Gear Case, Tool

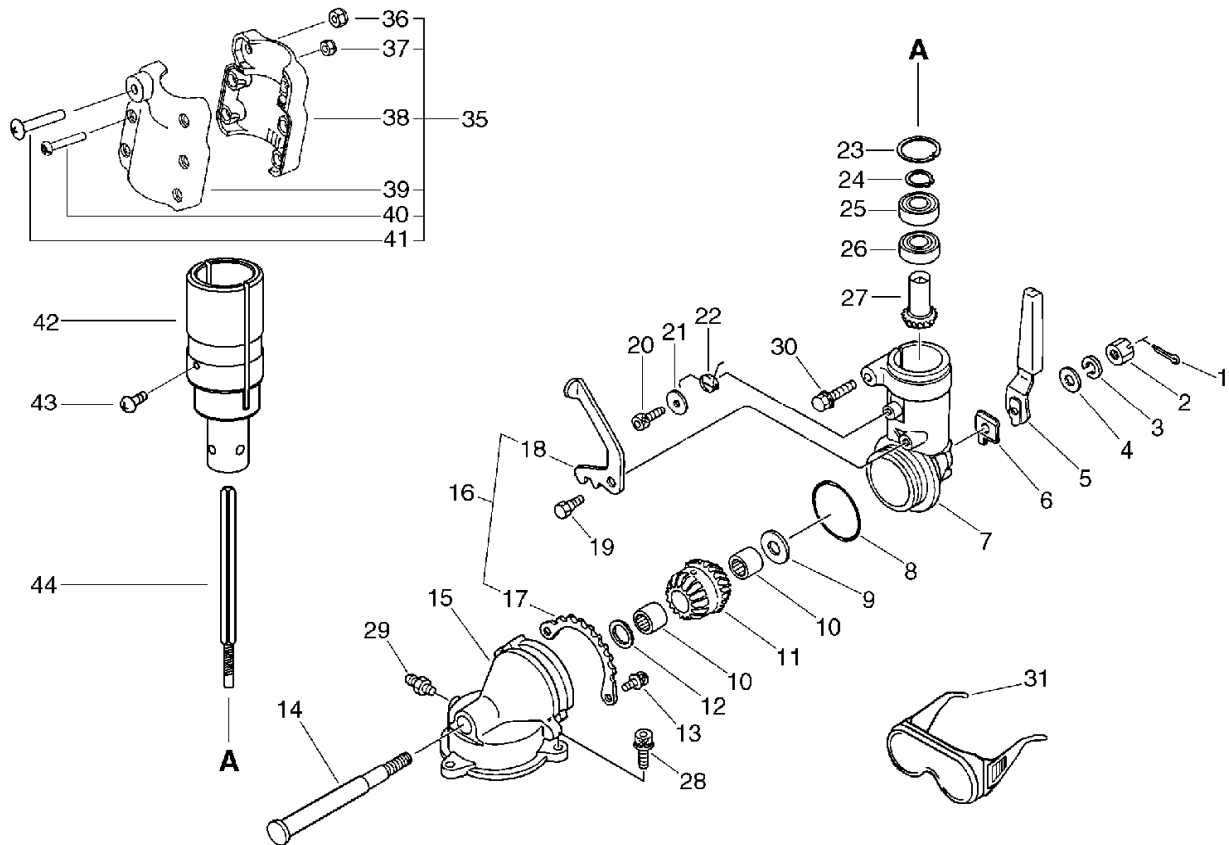
No.1



KEY	LV	PART NUMBER	Q'TY	DESCRIPTION	REMARKS	NOTE1	NOTE2
1		900300-16016	1	PIN, SPLIT 1.6*16	1.6*16		
2		900529-00006	1	NUT 6	6		
3		900605-00006	1	WASHER, SPRING 6	6		
4		403720-07350	1	WASHER, SLUST			
5		190511-12362	1	PIECE, LEVER			
6		610478-12361	1	PLATE, ANGLE			
7		610410-12361	1	CASE, GEAR			
8		900724-00032	1	O-RING	S-32		
9		610350-12360	1	WASHER			
10		100113-11520	2	BEARING, NEEDLE	10*14*10		
11		610361-12360	1	GEAR, BEVEL			
12		610317-12460	1	WASHER, CIRCULAR 10			
13		900162-04010	2	BOLT, H.S. 4*10	4*10 W,SW		
14		610310-12360	1	SHAFT, P.T.O.			
15		610431-12360	1	LID, GEAR CASE			
16		P021-000850	1	LATCH RESETTER SET			
17	+	610470-12361	1	RESETTER, LATCH			
18	+	610472-12361	1	PAWL			
19		610474-12360	1	BOLT 5			
20		900162-05014	1	BOLT, H.S. 5*14	5*14 W,SW		
21		900603-00005	1	WASHER 5	5.5*12*0.8		
22		178013-12360	1	SPRING, THR. LOCK			
23		900702-00022	1	CIRCLIP 22	CR-22		
24		900706-00010	1	CIRCLIP 10	WR-10		
25		900858-06900	1	BEARING, BALL 6900Z	6900Z		
26		900855-06900	1	BEARING, BALL 6900	6900		

1. Gear Case, Tool

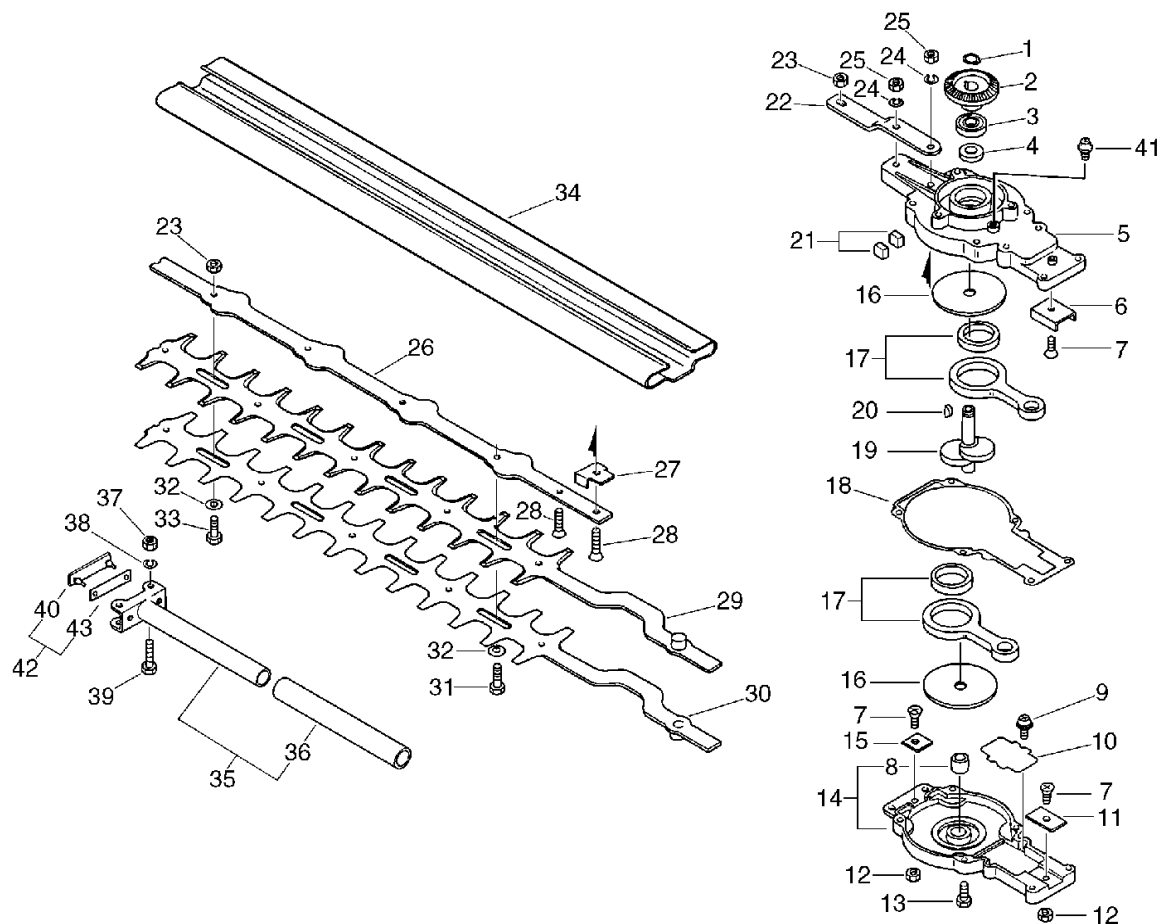
No.1



KEY	LV	PART NUMBER	Q'TY	DESCRIPTION	REMARKS	NOTE1	NOTE2
27		610311-26160	1	GEAR,BEVEL			
28		900162-05018	3	BOLT, H.S. 5*18	5*18 W,SW		
29		880110-10860	1	NIPPLE, GREASE			
30		900142-05035	1	BOLT 5*35 (W/W,SW)	5*35		
31		899580-68730	1	SAFETY GLASSES		Sus. by P021-002861	
31		X690-000030	1	GOGGLE		Sus. by P021-002861	
31		P021-002861	1	GOGGLES			
35		610295-22260	1	COLLAR, MAIN PIPE			
36	+	900031-00100	1	LOCKNUT			
37	+	900031-50100	5	LOCKNUT			
38	+	610282-22360	1	COLLAR, MAIN PIPE			
39	+	610282-22460	1	COLLAR, MAIN PIPE			
40	+	900053-00400	5	SCREW			
41	+	900065-00300	1	SCREW, TRUSS			
42		352053-26160	1	CONNECTOR, POLE			
43		900242-05010	1	SCREW 5*10	5*10		
44		V655-000010	1	SHAFT,PINION		Sus. by 613011-26160	
44		613011-26160	1	SHAFT,PINION			

2. Gear Case, Cutter

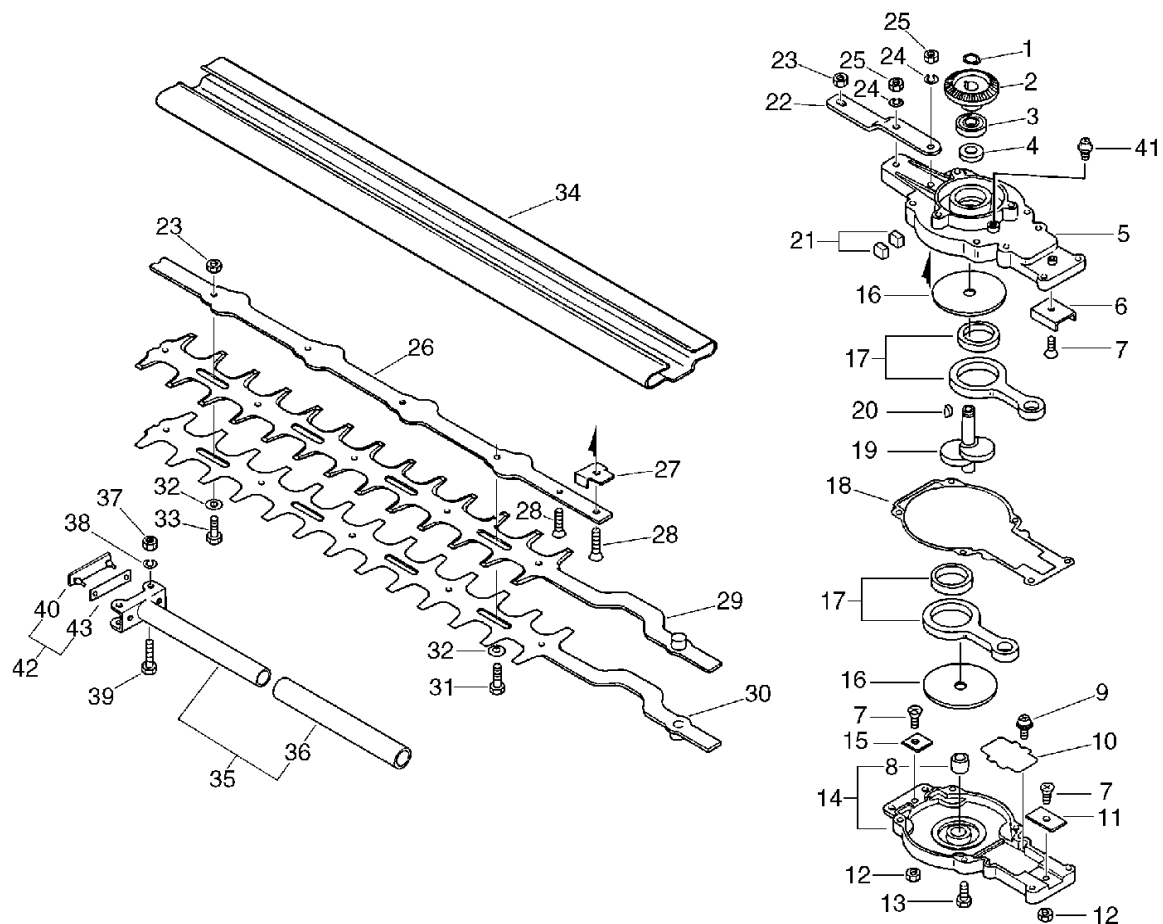
No.2



KEY	LV	PART NUMBER	Q'TY	DESCRIPTION	REMARKS	NOTE1	NOTE2
1		900701-00010	1	CIRCLIP 10	CS-10		
2		610312-12360	1	GEAR, SPUR			
3		900800-06000	1	BEARING, BALL 6000	6000		
4		100213-05930	1	OILSEAL	IS 10*20*5		
5		610420-12361	1	CASE, GEAR			
6		610441-54030	1	GUIDE			
7		900212-04008	3	SCREW 4*8	+SF4*8		
9		900242-03006	4	SCREW 3*6	3*6		
10		610424-54030	2	PLATE, SIDE			
11		610447-54030	1	PLATE, EYE			
12		900500-00004	2	NUT 4	4		
13		900142-05020	4	BOLT 5*20 (W/W,SW)	5*20		
14		610409-54031	1	CASE, CAM			
8	+	160616-05410	1	COLLAR.			
15		610450-54030	1	PLATE, GUIDE			
16		610462-54030	2	PLATE, SIDE			
17		610805-54030	2	BAR, OPERATION			
18		V110-000000	1	GASKET, GEAR CASE			
19		610344-12360	1	CAM			
20		610325-02730	1	KEY, WOODRUFF			
21		610426-54030	2	SEAL			
22		X425-000080	1	SUPPORT, CUTTER		Sus. by 699110-12360	
22		699110-12360	1	SUPPORT, CUTTER			
23		433022-06460	4	NUT			
24		900605-00005	2	WASHER, SPRING 5	5		

2. Gear Case, Cutter

No.2



KEY	LV	PART NUMBER	Q'TY	DESCRIPTION	REMARKS	NOTE1	NOTE2
25		900500-00005	2	NUT 5	5		
26		X425-000070	1	SUPPORT,CUTTER		Sus. by 699117-12360	
26		699117-12360	1	SUPPORT, CUTTER			
27		610440-54030	1	PLATE, ANGLE			
28		900212-05020	2	SCREW 5*20	+SF5*20		
29		X411-000120	1	CUTTER	DUAL L470 T2.5	Sus. by X411-000290	
29		X411-000290	1	CUTTER	L=620		
30		X411-000130	1	CUTTER	DUAL L470 T2.5	Sus. by X411-000300	
30		X411-000300	1	CUTTER	L=620		
31		699115-07760	1	BOLT, CUTTER			
32		699118-04560	4	WASHER			
33		699115-04560	3	BOLT, CUTTER			
34		898523-12360	1	SCABBARD, BLADE			
35		351305-12360	1	HANDLE			
36	+	351315-12360	1	GRIP, HANDLE	19*135		
37		900500-00005	2	NUT 5	5		
38		900605-00005	2	WASHER, SPRING 5	5		
39		900142-05025	2	BOLT 5*25 (W/W,SW)	5*25		
41		880110-10860	1	NIPPLE, GREASE			
42		V150-000311	1	PLATE,EYE			
40	+	610426-12362	1	SEAL			
43	+	V150-000300	1	PLATE,EYE			

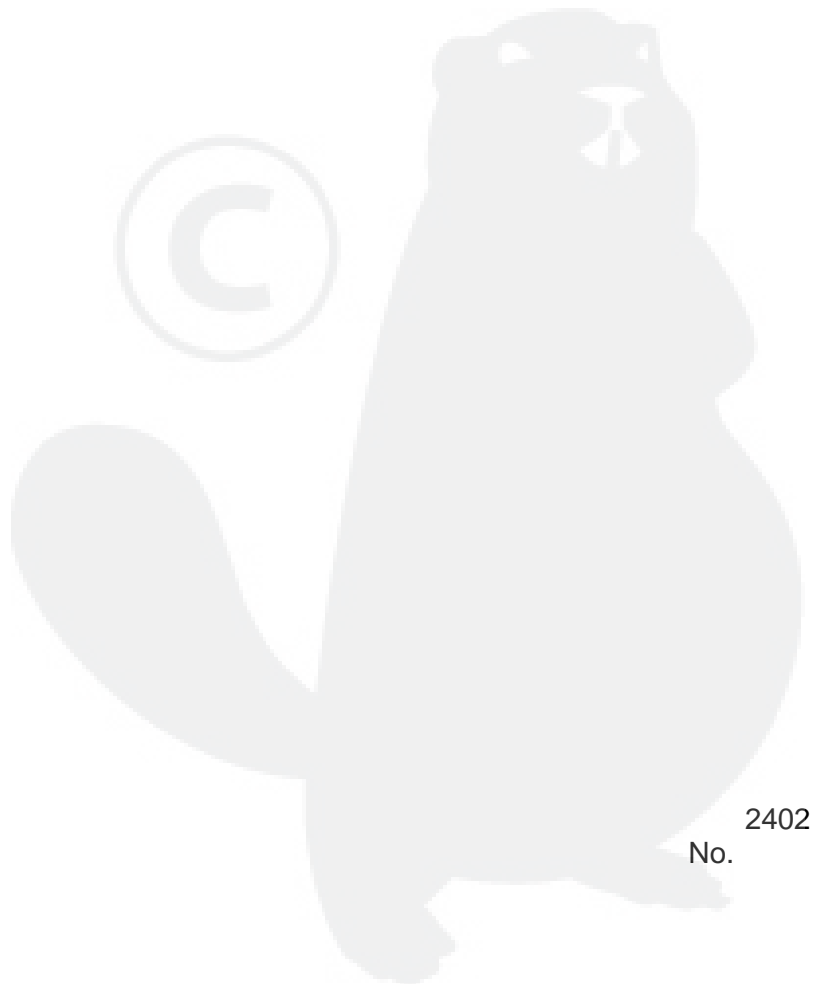
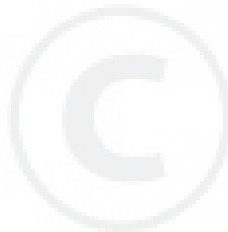
Index

Patrs Number	Key No.	Patrs Number	Key No.	Patrs Number	Key No.
100113-11520	1 - 10	900031-50100	1 - 37		
100213-05930	2 - 4	900053-00400	1 - 40		
160616-05410	2 - 8	900065-00300	1 - 41		
178013-12360	1 - 22	900142-05020	2 - 13		
190511-12362	1 - 5	900142-05025	2 - 39		
351305-12360	2 - 35	900142-05035	1 - 30		
351315-12360	2 - 36	900162-04010	1 - 13		
352053-26160	1 - 42	900162-05014	1 - 20		
403720-07350	1 - 4	900162-05018	1 - 28		
433022-06460	2 - 23	900212-04008	2 - 7		
610282-22360	1 - 38	900212-05020	2 - 28		
610282-22460	1 - 39	900242-03006	2 - 9		
610295-22260	1 - 35	900242-05010	1 - 43		
610310-12360	1 - 14	900300-16016	1 - 1		
610311-26160	1 - 27	900500-00004	2 - 12		
610312-12360	2 - 2	900500-00005	2 - 25		
610317-12460	1 - 12	900500-00005	2 - 37		
610325-02730	2 - 20	900529-00006	1 - 2		
610344-12360	2 - 19	900603-00005	1 - 21		
610350-12360	1 - 9	900605-00005	2 - 24		
610361-12360	1 - 11	900605-00005	2 - 38		
610409-54031	2 - 14	900605-00006	1 - 3		
610410-12361	1 - 7	900701-00010	2 - 1		
610420-12361	2 - 5	900702-00022	1 - 23		
610424-54030	2 - 10	900706-00010	1 - 24		
610426-12362	2 - 40	900724-00032	1 - 8		
610426-54030	2 - 21	900800-06000	2 - 3		
610431-12360	1 - 15	900855-06900	1 - 26		
610440-54030	2 - 27	900858-06900	1 - 25		
610441-54030	2 - 6	P021-000850	1 - 16		
610447-54030	2 - 11	P021-002861	1 - 31		
610450-54030	2 - 15	V110-000000	2 - 18		
610462-54030	2 - 16	V150-000300	2 - 43		
610470-12361	1 - 17	V150-000311	2 - 42		
610472-12361	1 - 18	V655-000010	1 - 44		
610474-12360	1 - 19	X411-000120	2 - 29		
610478-12361	1 - 6	X411-000130	2 - 30		
610805-54030	2 - 17	X411-000290	2 - 29		
613011-26160	1 - 44	X411-000300	2 - 30		
699110-12360	2 - 22	X425-000070	2 - 26		
699115-04560	2 - 33	X425-000080	2 - 22		
699115-07760	2 - 31	X690-000030	1 - 31		
699117-12360	2 - 26				
699118-04560	2 - 32				
880110-10860	1 - 29				
880110-10860	2 - 41				
898523-12360	2 - 34				
899580-68730	1 - 31				
900031-00100	1 - 36				

YAMABIKO CORPORATION

7-2 SUEHIROCHO 1-CHOME, OHME, TOKYO 198-8760, JAPAN
PHONE: 81-428-32-6118. FAX: 81-428-32-6145.

ECHO[®]



2402
No.