



PARTS CATALOG

POWER PRUNER

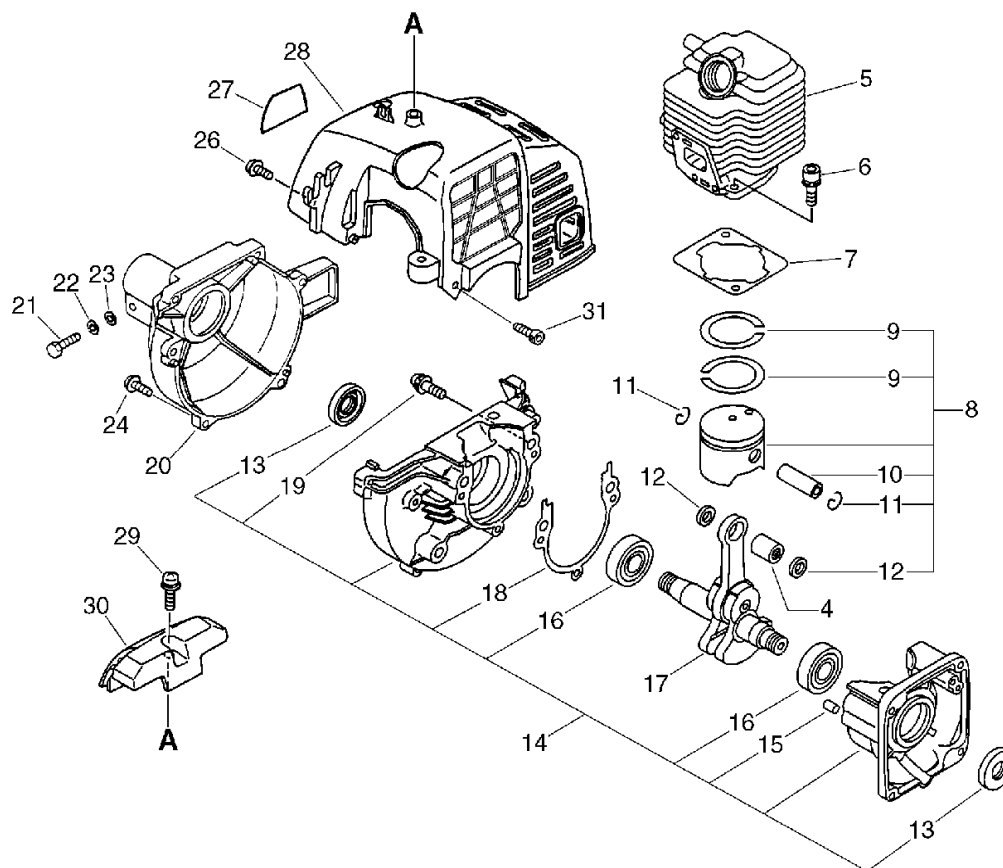
PPF-2110



PPF-2110

1. Cylinder, Crankcase, Piston, Fan Cover

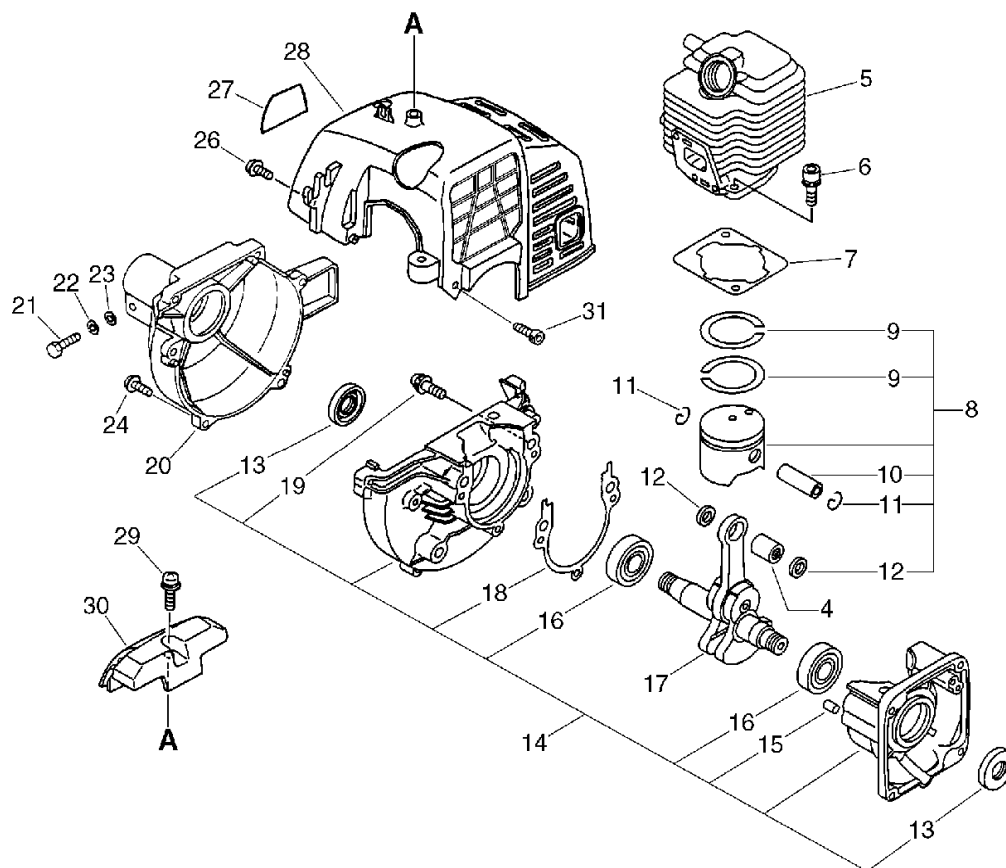
No.1



KEY	LV	PART NUMBER	Q'TY	DESCRIPTION	REMARKS	NOTE1	NOTE2
5		101011-06562	1	CYLINDER		Sr/Nr 001040 and before	
5		A130-000020	1	CYLINDER		Sus. by A130-000021	
5		A130-000021	1	CYLINDER		Sr/Nr 001041 and after	
6		900162-05022	2	BOLT, H.S. 5*22	5*22 W,SW		
7		101010-44332	1	GASKET, CYL. BASE			
8		100000-48732	1	PISTON KIT		Sr/Nr 001040 and before	
8		P021-000390	1	PISTON KIT		Sus. by P021-001102	
8		P021-001101	1	PISTON KIT		Sus. by P021-001102	
8		P021-001102	1	PISTON KIT		Sr/Nr 001041 and after	
9	+	100011-05330	2	RING, PISTON		Sr/Nr 001040 and before	
9	+	A101-000000	2	RING,PISTON		Sr/Nr 001041 and after	
10	+	100013-11520	1	PIN, PISTON			
11	+	100015-04630	2	CIRCLIP, PISTON PIN			
12	+	100014-11520	2	SPACER, PISTON PIN			
14		100204-52130	1	CRANKCASE KIT		Sus. by 100204-52132	

1. Cylinder, Crankcase, Piston, Fan Cover

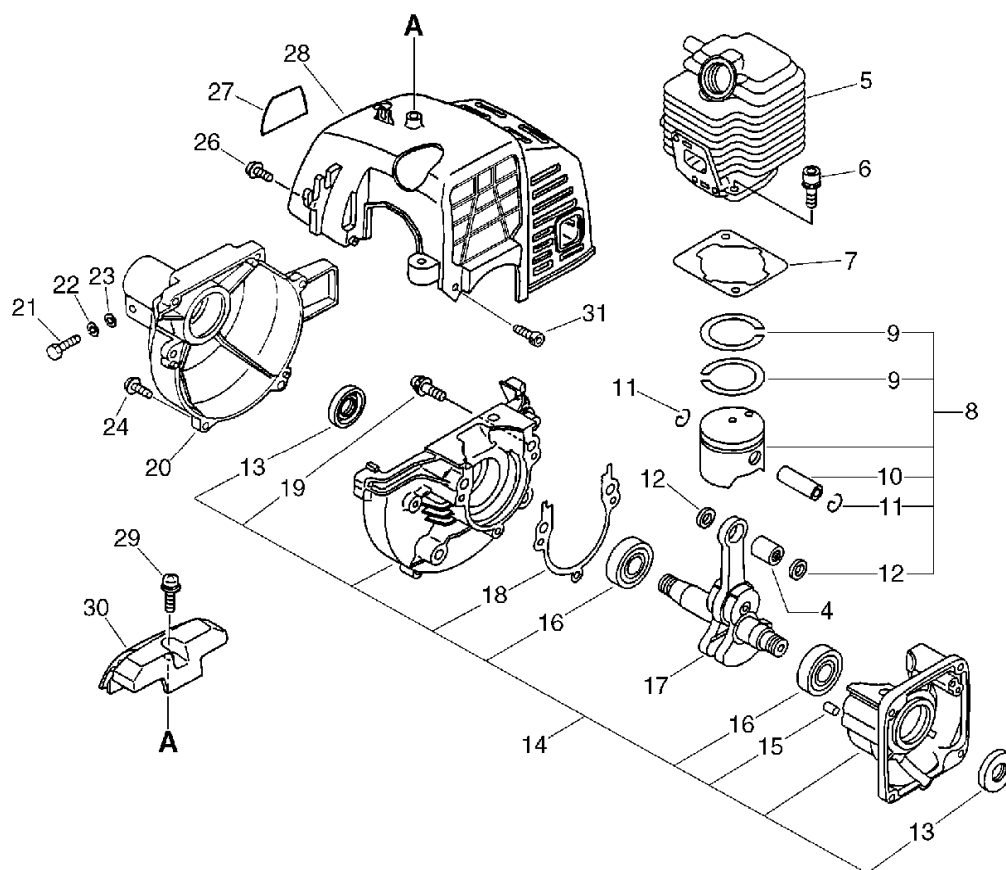
No.1



KEY	LV	PART NUMBER	Q'TY	DESCRIPTION	REMARKS	NOTE1	NOTE2
14		100204-52131	1	CRANKCASE KIT		Sus. by 100204-52132	
14		100204-52132	1	CRANKCASE KIT			
13	+	100212-42030	2	OILSEAL	ISCD12*22*4.5	Sus. by 100212-42031	
13	+	100212-42031	2	OILSEAL	ISCD 12*22*4.5		
15	+	100215-03930	2	PIN, DOWEL			
16	+	900810-36201	2	BEARING, BALL 6201	6201/C3		
16	+	94035-36201	2	BEARING BALL	6201X3JR2C3		
18	+	100242-42030	1	GASKET, CRANKCASE			
19	+	900162-05028	3	BOLT, H.S. 5*28	5*28 W,SW		
17		100100-44732	1	CRANKSHAFT ASSY		Sr/Nr 001040 and before	
17		A011-000000	1	CRANKSHAFT,ASM		Sus. by A011-000002	
17		A011-000001	1	CRANKSHAFT,ASM		Sus. by A011-000002	
17		A011-000002	1	CRANKSHAFT,ASM		Sr/Nr 001041 and after	
4	+	100012-51230	1	BEARING, NEEDLE	8*12*10	Sus. by V553-000010	
4	+	V553-000030	1	BEARING,NEEDLE 8		Sus. by V553-000010	
4	+	V553-000010	1	BEARING,NEEDLE 8	HK0810		
20		101511-44630	1	COVER, FAN (BS)			

1. Cylinder, Crankcase, Piston, Fan Cover

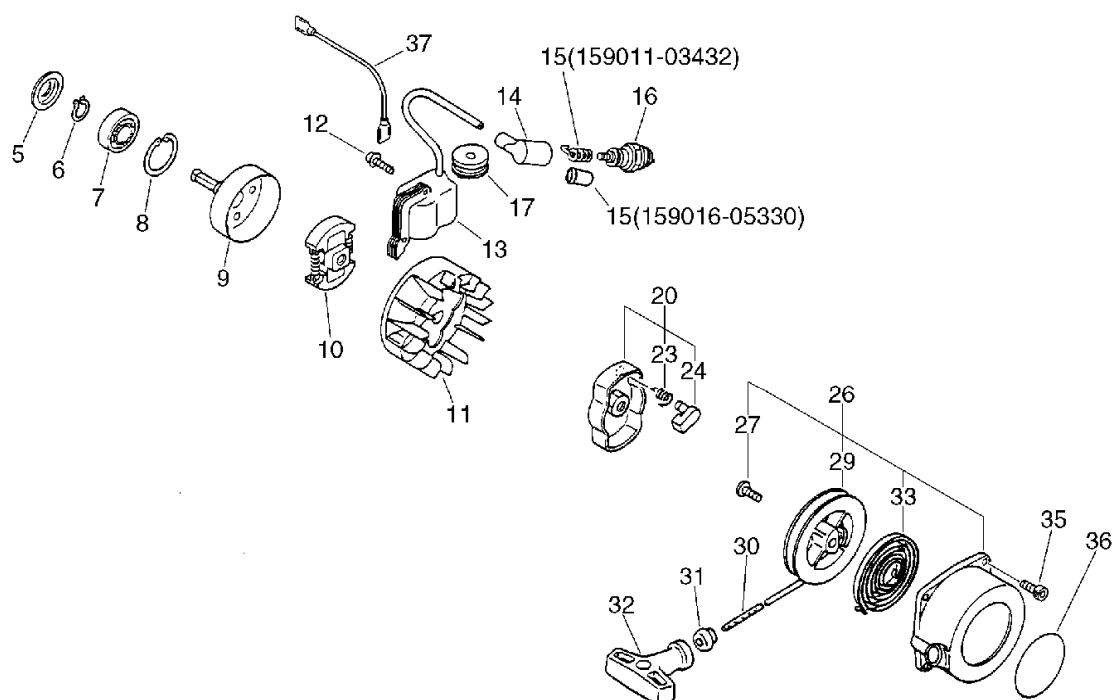
No.1



KEY	LV	PART NUMBER	Q'TY	DESCRIPTION	REMARKS	NOTE1	NOTE2
21		900151-05025	1	BOLT 5*25	5*25 S45C		
21		900162-05025	1	BOLT, H.S. 5*25	5*25 W,SW		Sus. by 900162-05025
22		900605-00005	1	WASHER, SPRING 5	5	Disuse	
23		900600-00005	1	WASHER 5	5	Disuse	
24		900163-04016	4	BOLT HSH			
26		900238-04012	2	SCREW 4*12	4*12		
27		890112-24660	1	LABEL, MODEL			
28		101514-44531	1	COVER, CYLINDER			
29		900253-05016	1	SCREW	5*16		
30		159912-44530	1	GUARD, TOP			
31		900163-04016	2	BOLT HSH			

2. Starter, Magneto, Clutch

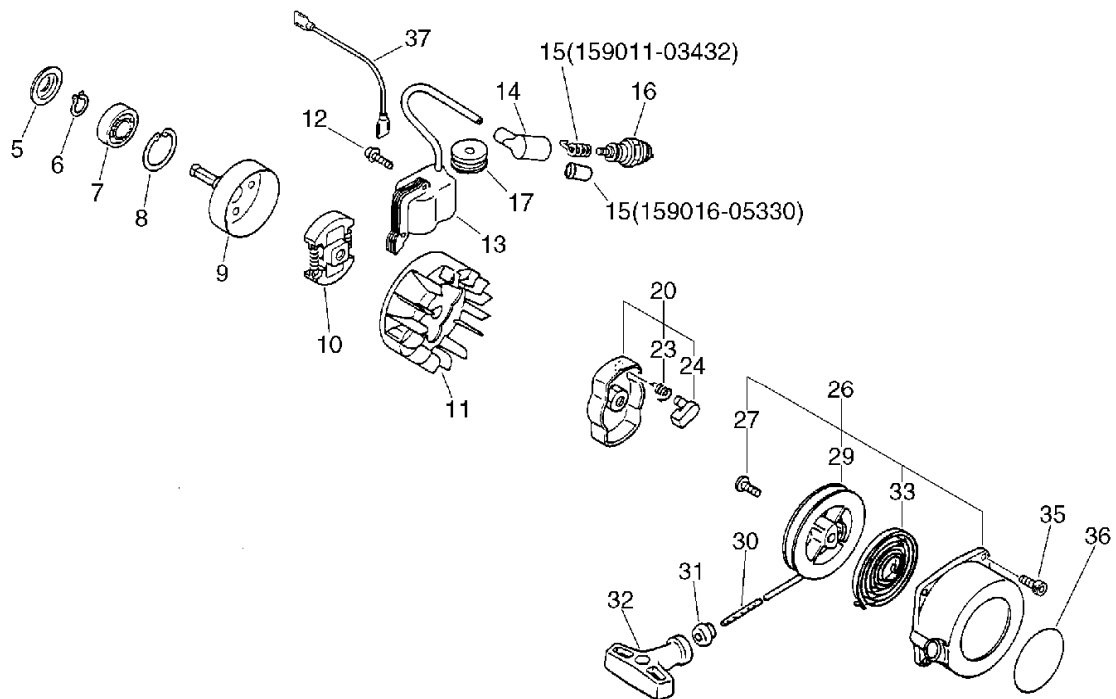
No.2



KEY	LV	PART NUMBER	Q'TY	DESCRIPTION	REMARKS	NOTE1	NOTE2
5		175053-04920	1	STOPPER			
6		900701-00012	1	CIRCLIP 12	CS-12		
7		900814-06201	1	BEARING, BALL 6201	6201ZZ		
8		900702-00032	1	CIRCLIP 32	CR-32		
9		175005-42030	1	DRUM, CLUTCH			
10		175000-56830	1	CLUTCH ASSY			
11		156801-09660	1	FLYWHEEL			
12		900162-04022	2	BOLT, H.S. 4*22	4*22 W,SW		
13		156626-52730	1	COIL, IGNITION			
14		159012-01620	1	CAP, SPARK PLUG		Sr/Nr 001040 and before	
14		159012-10230	1	CAP, SPARK PLUG		Sr/Nr 001041 and after	
15		159011-03432	1	COIL, SPARK PLUG		Sr/Nr 001040 and before	
15		159016-05330	1	ADAPTER, PLUG CAP		Sr/Nr 001041 and after	
16		159010-10230	1	PLUG, SPARK (BPMR-7A)	BPMR-7A		
17		150112-44330	1	BUSHING			
20		177202-44330	1	PAWL ASSY, STARTER		Sus. by 177202-44331	
20		177202-44331	1	PAWL ASM., STARTER			
23	+	177234-42030	1	SPRING, RETURN			
24	+	177218-44330	1	PAWL, STARTER	BLACK		
26		177200-42033	1	STARTER ASSY			
27	+	177236-44330	1	SCREW			

2. Starter, Magneto, Clutch

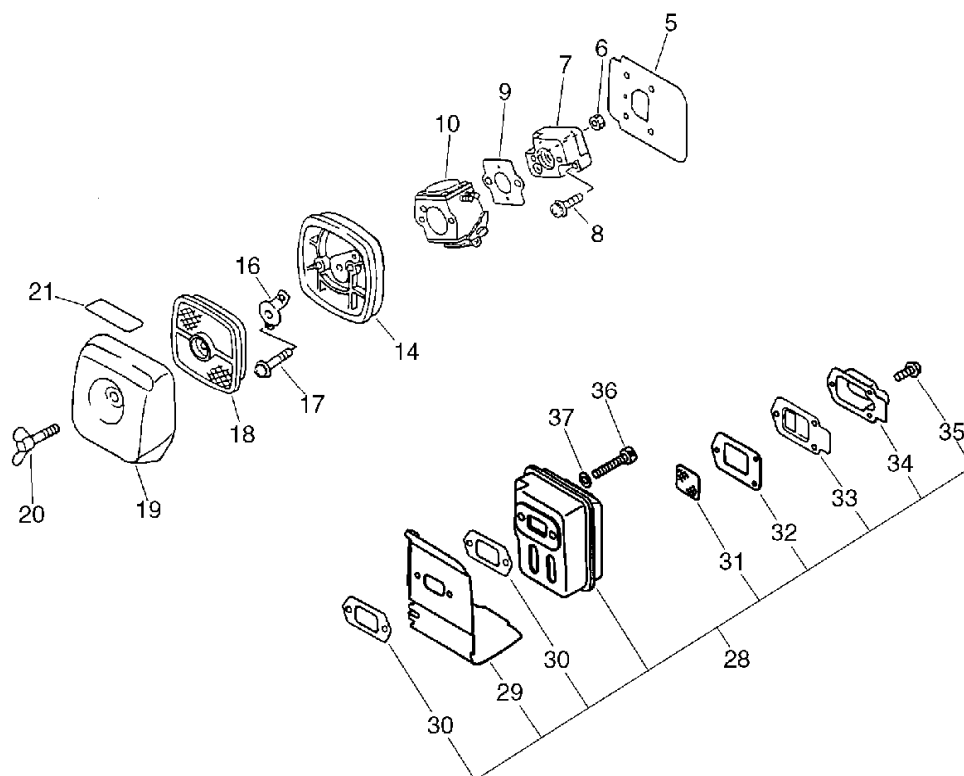
No.2



KEY	LV	PART NUMBER	Q'TY	DESCRIPTION	REMARKS	NOTE1	NOTE2
29	+	177215-44430	1	DRUM, STARTER			
30	+	177226-10120	1	ROPE, STARTER	3.0*1000		
31	+	177227-42030	1	GUIDE, ROPE			
32	+	177228-06530	1	GRIP, STARTER			
33	+	177220-42030	1	SPRING, REWIND			
35		900163-04016	2	BOLT HSH			
36		890118-49130	1	LABEL, ECHO			
37		162010-52830	1	LEAD, GROUND			

3. Air Cleaner, Muffler

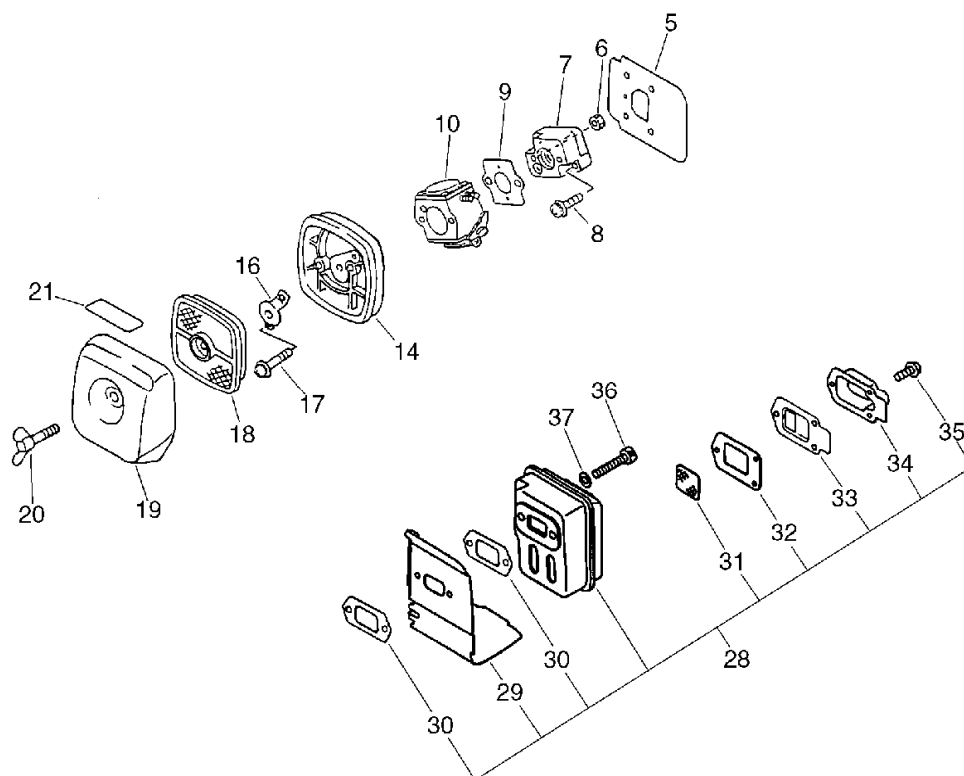
No.3



KEY	LV	PART NUMBER	Q'TY	DESCRIPTION	REMARKS	NOTE1	NOTE2
5		130010-42032	1	GASKET,INTAKE			
6		900500-00005	2	NUT 5	5		
7		130017-42031	1	INSULATOR, INTAKE			
8		900238-05020	2	SCREW 5*20	5*20		
9		V103-000111	1	GASKET,INTAKE		Sus. by 130016-42031	
9		130016-42031	1	GASKET, INTAKE			
10		125200-13311	1	CARBURETOR C1U-K52	C1U-K52	Sus. by 125200-13314	
10		125200-13312	1	CARBURETOR	C1U-K52	Sus. by 125200-13314	
10		125200-13313	1	CARBURETOR	C1U-K52	Sus. by 125200-13314	
10		125200-13314	1	CARBURETOR	C1U-K52		
14		130307-06761	1	CASE,AIR CLEANER		Sus. by P021-002921	
14		P021-004260	1	CASE, AIR CLEANER			
16		129011-52730	1	PLATE, PREVENT			
17		900242-05065	2	SCREW 5*65	5*65		
18		130310-54130	1	FILTER, AIR			
19		130313-05863	1	LID, AIR CLEANER			
20		210417-52730	1	BOLT, WING	5*20		
21		890121-06360	1	LABEL, CHOKE		Sus. by 890121-05360	
21		890121-05360	1	LABEL, METERING			

3. Air Cleaner, Muffler

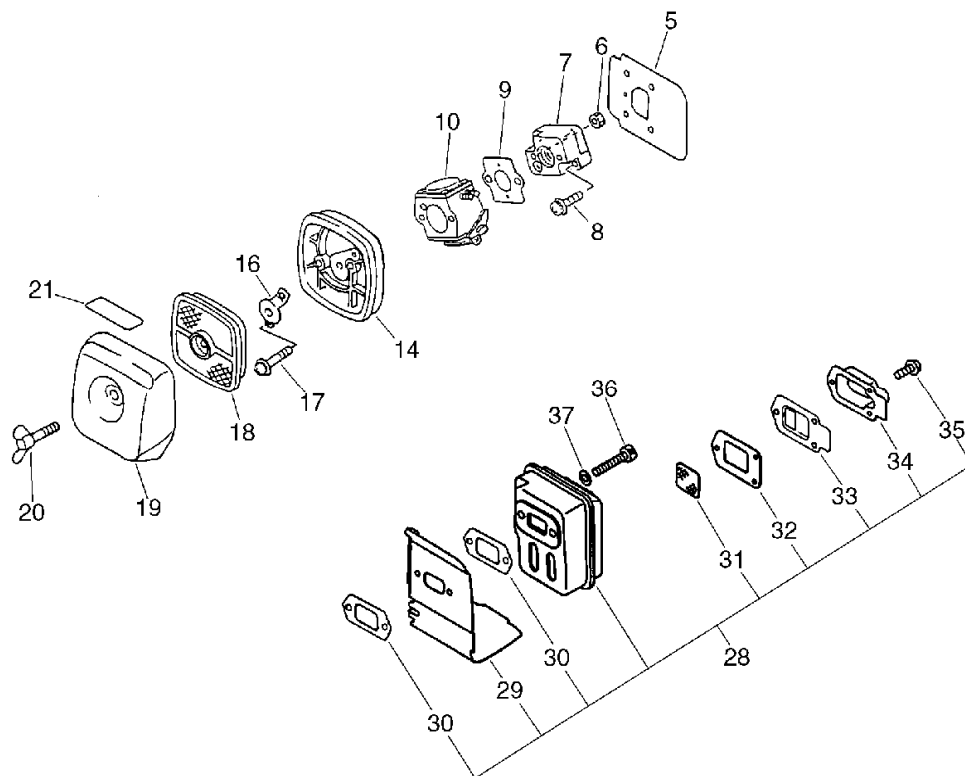
No.3



KEY	LV	PART NUMBER	Q'TY	DESCRIPTION	REMARKS	NOTE1	NOTE2
28		145800-54130	1	MUFFLER ASSY		Sr/Nr 001040 and before	
28		P021-000310	1	MUFFLER ASY		Sus. by P021-000314	
28		P021-000311	1	MUFFLER ASY		Sus. by P021-000314	
28		P021-000312	1	MUFFLER ASY		Sus. by P021-000314	
28		P021-000313	1	MUFFLER ASY		Sus. by P021-000314	
28		P021-000314	1	MUFFLER ASY		Sr/Nr 001041 and after	
29	+	145871-44331	1	COVER, MUFFLER		Sus. by A320-000251	
29	+	145631-42030	1	COVER, MUFFLER		Sus. by A320-000251	
29	+	A320-000250	1	COVER, MUFFLER		Sus. by A320-000251	
29	+	A320-000251	1	COVER, MUFFLER			
30	+	145510-42031	2	GASKET, MUFFLER		Sus. by V104-000160	
30	+	V104-000160	2	GASKET, EXHAUST			
31	+	145862-40630	1	SCREEN, MUFFLER			
32	+	145866-42031	1	GASKET, MUFFLER LID		Sr/Nr 001040 and before	

3. Air Cleaner, Muffler

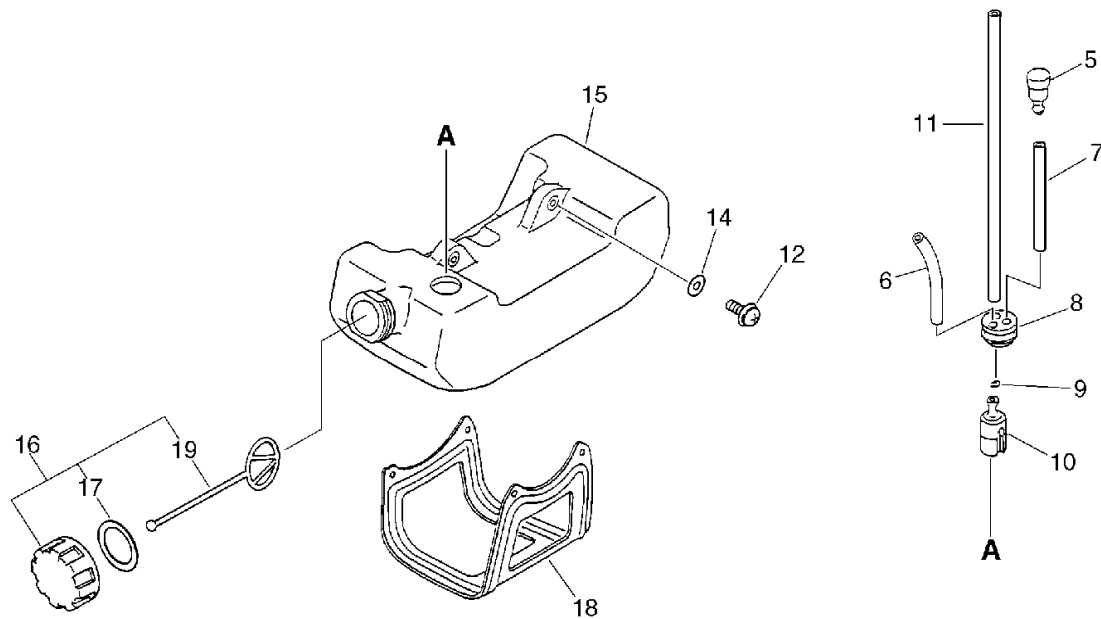
No.3



KEY	LV	PART NUMBER	Q'TY	DESCRIPTION	REMARKS	NOTE1	NOTE2
32	+	V104-000000	1	GASKET,EXHAUST		Sus. by V104-000003	
32	+	V104-000001	1	GASKET,EXHAUST		Sus. by V104-000003	
32	+	V104-000002	1	GASKET,EXHAUST		Sus. by V104-000003	
32	+	V104-000003	1	GASKET,EXHAUST		Sr/Nr 001041 and after	
33	+	145876-42030	1	LID, MUFFLER (B)			
34	+	145863-54130	1	FIXTURE, SCREEN		Sr/Nr 001040 and before	
34	+	A313-000000	1	GUIDE,EXH		Sr/Nr 001041 and after	
35	+	900238-04010	3	SCREW 4*10	4*10		
36		900105-05055	2	BOLT, H.S. 5*55	5*55		
37		900600-00005	2	WASHER 5	5		

4. Fuel Tank

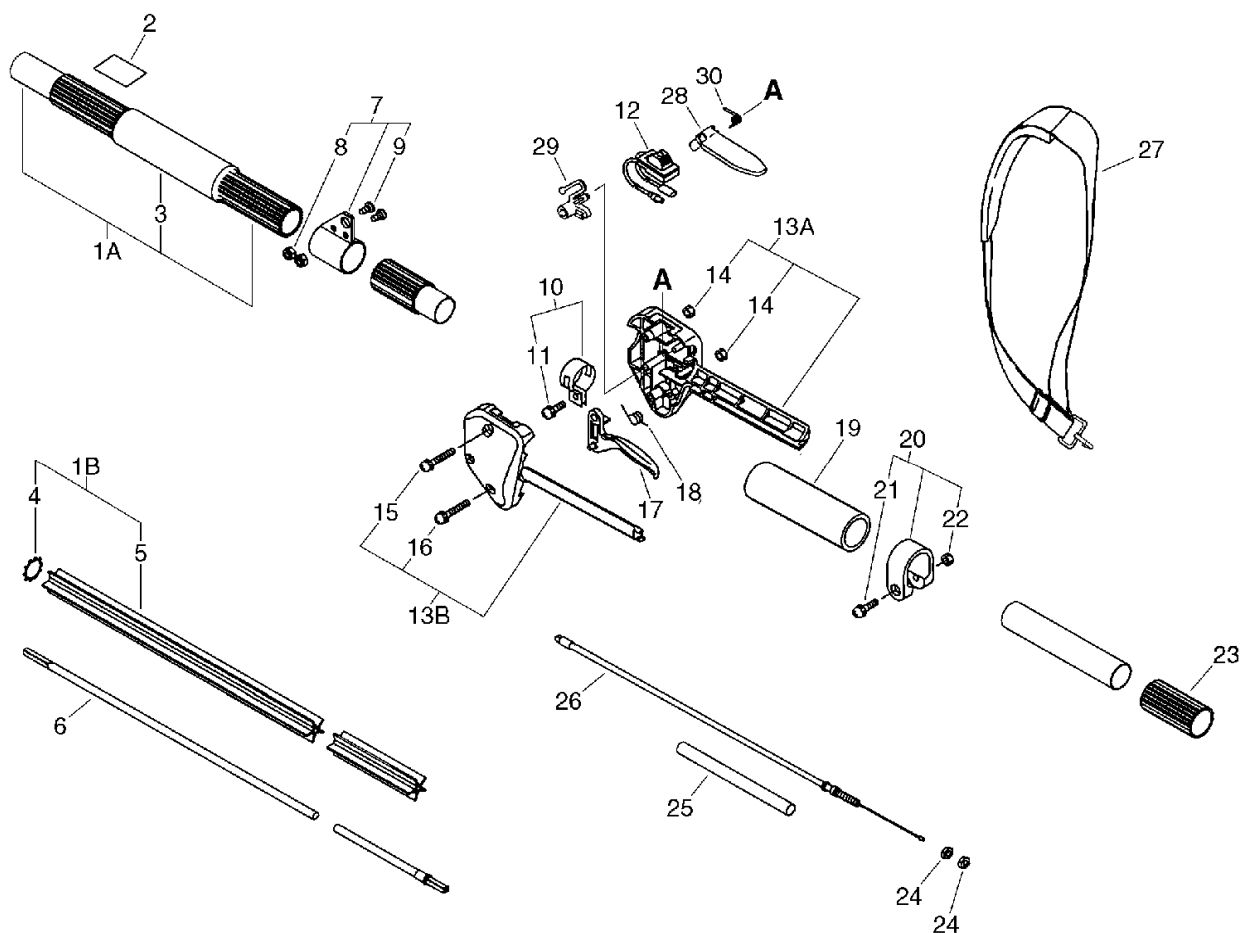
No.4



KEY	LV	PART NUMBER	Q'TY	DESCRIPTION	REMARKS	NOTE1	NOTE2
5		131300-56430	1	VALVE, CHECK		Sus. by A356-000030	
5		A356-000030	1	VALVE,CHECK			
6		132010-56330	1	PIPE 3*6*90	3*6*90 YL		
7		131312-39130	1	PIPE	3*5*70(+3)NBR	Sus. by V471-001200	
7		V471-001200	1	PIPE	3*5*70 NBR		
8		132115-46730	1	GROMMET, FUEL		Sus. by V137-000030	
8		V137-000030	1	GROMMET,FUEL			
9		132013-09820	1	CLIP	6MM		
10		131205-07320	1	STRAINER, FUEL			
11		132010-13930	1	PIPE, FUEL	3*5*180L NBR	Sus. by V471-001190	
11		V471-001190	1	PIPE	3*5*180 NBR		
12		900238-05016	2	SCREW 5*16	5*16		
14		900603-00005	2	WASHER 5	5.5*12*0.8		
15		131005-46830	1	TANK, FUEL		Sus. by 131005-46831	
15		131005-46831	1	TANK, FUEL			
16		131004-55830	1	CAP ASSY, FUEL TANK		Sus. by 131004-08960	
16		131004-08960	1	CAP ASSY, FUEL			
17	+	131016-55830	1	GASKET, FUEL CAP			
19	+	131051-52430	1	CONNECTOR, CAP	80L		
18		305110-42030	1	STAND (BL)			

5. Handle

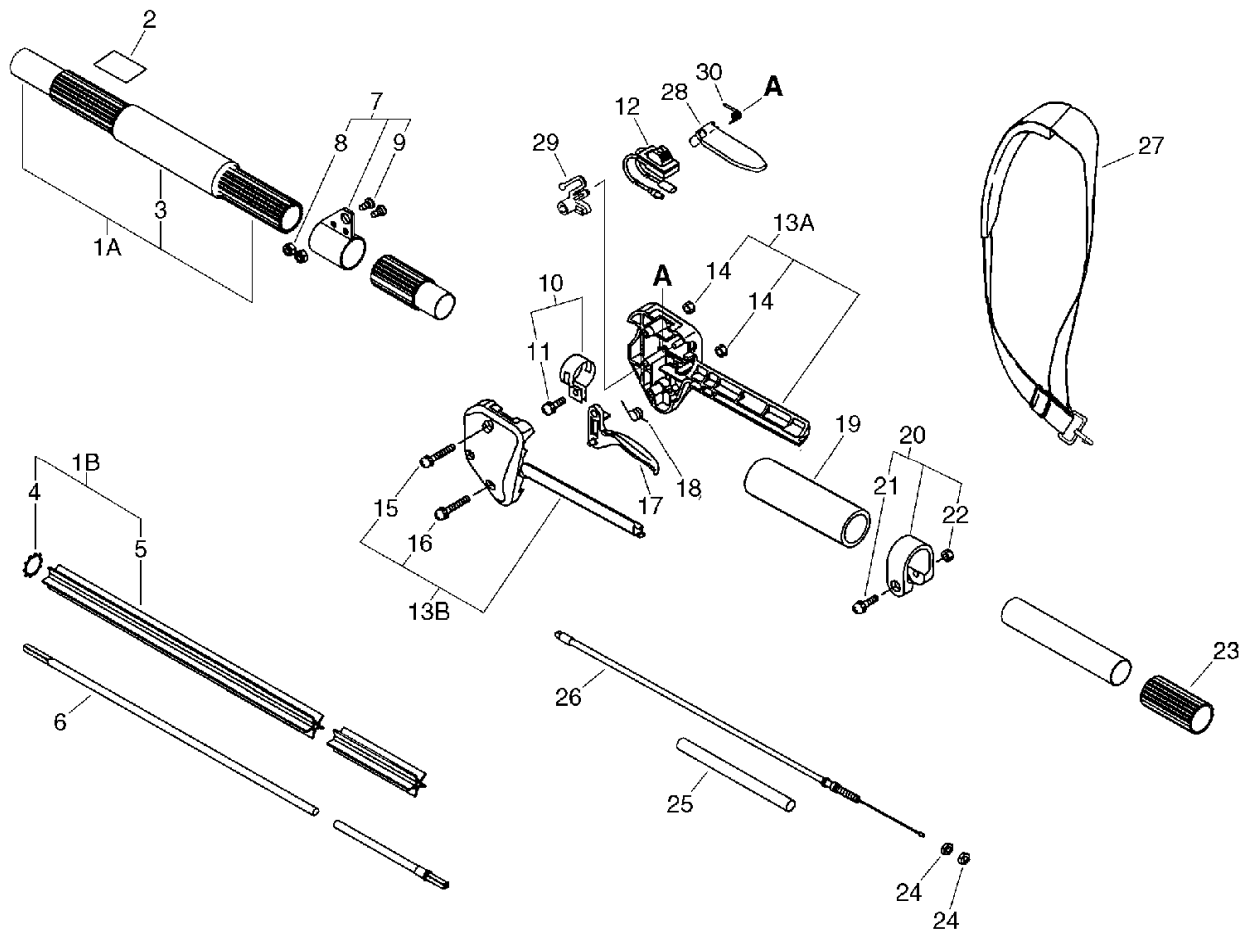
No.5



KEY	LV	PART NUMBER	Q'TY	DESCRIPTION	REMARKS	NOTE1	NOTE2
						Sus. by 610206-24661	
1		610206-24660	1	PIPE, MAIN			
1		610206-24661	1	PIPE, MAIN			
2	+	890160-22660	1	LABEL, CAUTION			
3	+	351311-22060	1	GRIP, HANDLE		TT No.40146	
4	+	900038-00100	1	WASHER, EXTERNAL		TT No.40510	
5	+	610217-22060	1	LINER, FLEXIBLE		TT No.40143	
6		610013-22060	1	SHAFT, FLEXIBLE		TT No.40141	
7		300605-22160	1	BRACKET, HARNESS			
8	+	900031-50100	2	LOCKNUT		TT No.45170	
9	+	900053-00200	2	SCREW		TT No.45120	
10		301200-29430	1	BAND ASSY			
11	+	900242-05014	1	SCREW 5*14	5*14		
12		163400-49230	1	SWITCH, IGNITION		Sus. by 163401-55631	
12		163401-55631	1	SWITCH, IGNITION			
13		178003-52130	1	BRACKET SET, THROTTLE			
14	+	900500-00005	2	NUT 5	5		
15	+	900242-05035	1	SCREW 5*35	5*35		
16	+	900242-05025	1	SCREW 5*25	5*25		
17		178010-52130	1	CONTROL, THROTTLE			
18		178043-42230	1	SPRING, THR. RETURN			
19		351213-52130	1	GRIP			
20		610272-52130	1	BAND			
21	+	900242-05028	1	SCREW 5*28	5*28		
22	+	900500-00005	1	NUT 5	5		

5. Handle

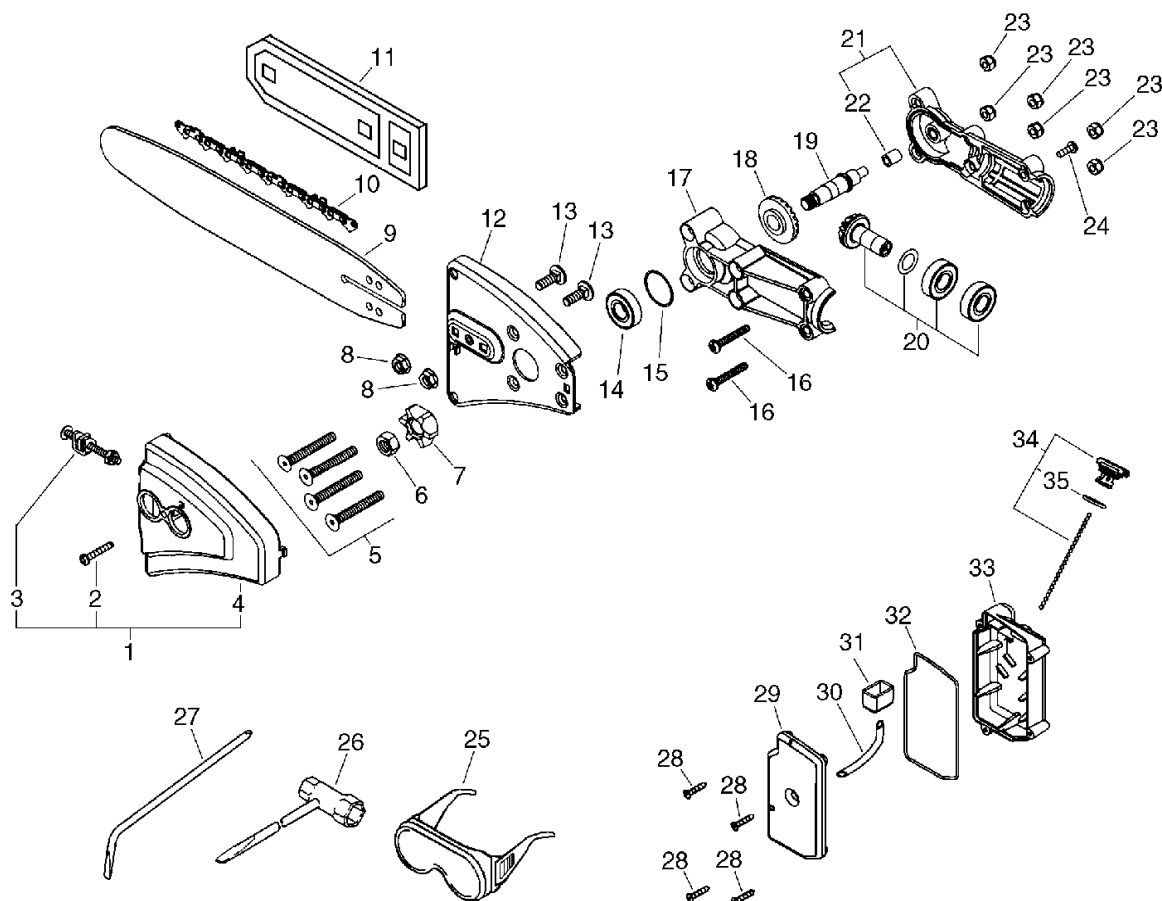
No.5



KEY	LV	PART NUMBER	Q'TY	DESCRIPTION	REMARKS	NOTE1	NOTE2
23		178127-22160	1	TUBE		TT No.41021	
24		900502-00006	2	NUT 6 (3N)	3N6		
25		178127-50330	1	TUBE	10*11*140		
26		178001-56730	1	CABLE, THROTTLE		Sus. by 178001-44430	
26		178001-44430	1	WIRE, THROTTLE			
27		301000-22060	1	HARNESS ASY, SHOULDER		TT No.0023	
28		178090-52630	1	LOCKOUT, T. CONTROL		Sus. by 178090-52632	
28		178090-52631	1	LOCKOUT, T. CONTROL		Sus. by 178090-52632	
28		178090-52632	1	LOCKOUT, T. CONTROL		Sr/Nr 001041 and after	
29		178012-52730	1	LOCKOUT, THROTTLE		Sr/Nr 001041 and after	
30		178013-52630	1	SPRING, THR. LOCK		Sr/Nr 001041 and after	

6. Gear Case, Tools(Sr/Nr 001500 and before)

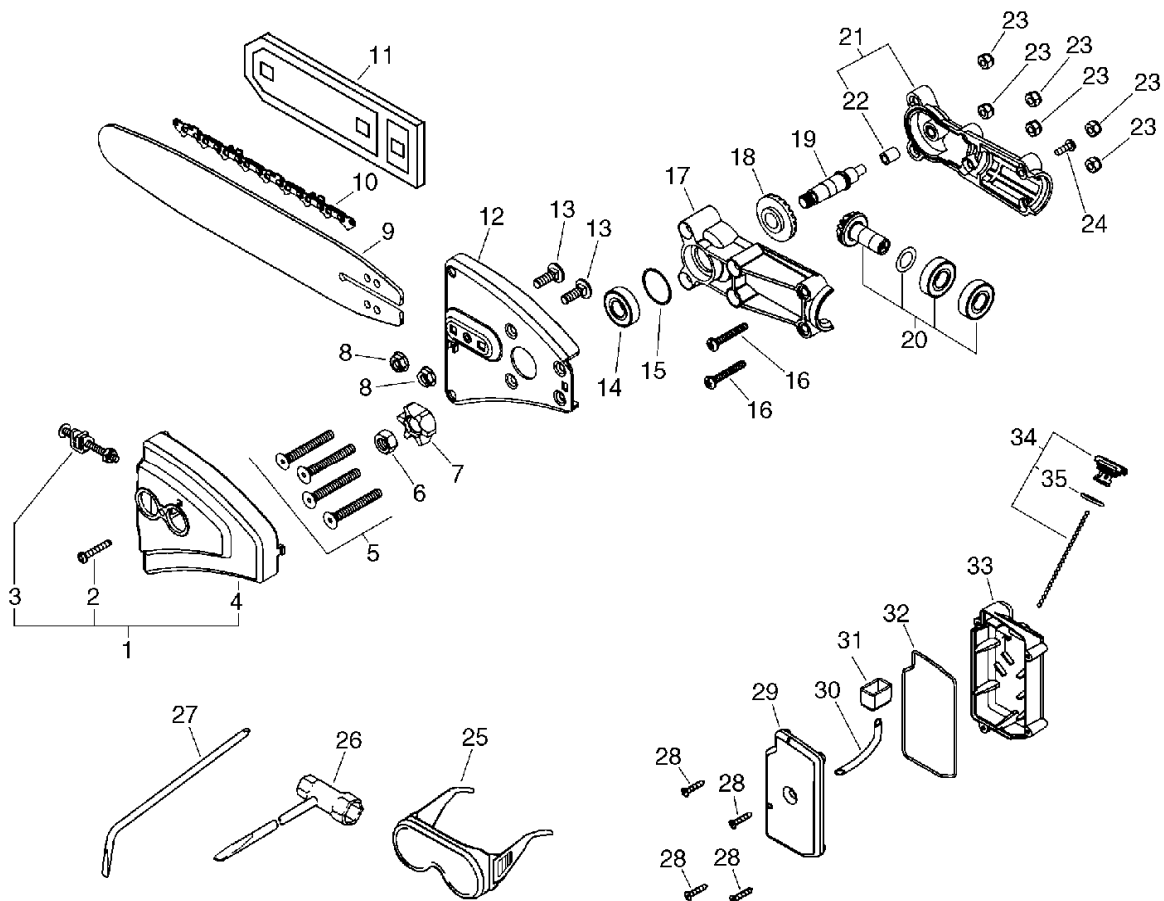
No.6



KEY	LV	PART NUMBER	Q'TY	DESCRIPTION	REMARKS	NOTE1	NOTE2
1		433001-22060	1	GUARD, SPROCKET		TT No.41006	
2	+	900053-00100	1	SCREW		TT No.45100	
3	+	433095-22060	1	TENSIONER, CHAIN		TT No.40120	
4	+	433010-22060	1	GUARD, SPROCKET		TT No.40135	
5		900057-00100	4	SCREW, FLAT		TT No.45150	
6		900030-00200	1	NUT		TT No.40512	
7		302810-22060	1	SPROCKET, DRIVE		TT No.40123	
8		900040-00100	2	NAT, FLANGE		TT No.40513	
9		430410-22160	1	BAR, GUIDE	(PP)	TT No.23010	
10		431610-22160	1	CHAIN, SAW	90SG-39	TT No.23009	
11		898513-22160	1	SCABBARD, GUIDE BAR		TT No.20191 Sus. by X490-000060	
11		X490-000060	1	SCABBARD, CHAIN			
12		433004-22160	1	BRACKET, GUIDE BAR		TT No.41011	
13		900060-00100	2	BOLT		TT No.40509	
14		900802-06001	1	BEARING, BALL 6001	6001DDU(LLU)	TT No.0106	
14		94042-06001	1	BEARING BALL	6001LLU		
15		900035-00400	2	WASHER, FLAT		TT No.40127	
16		900053-00400	2	SCREW		TT No.45140	
17		610460-22760	1	CASE, GEAR		TT No.40131	
18		610311-22060	1	GEAR		Sus. by 610311- 22061	
18		610311-22061	1	GEAR			
19		610309-22160	1	SHAFT, GEAR		TT No.40125	
20		610309-22060	1	SHAFT, GEAR		TT No.41000	

6. Gear Case, Tools(Sr/Nr 001500 and before)

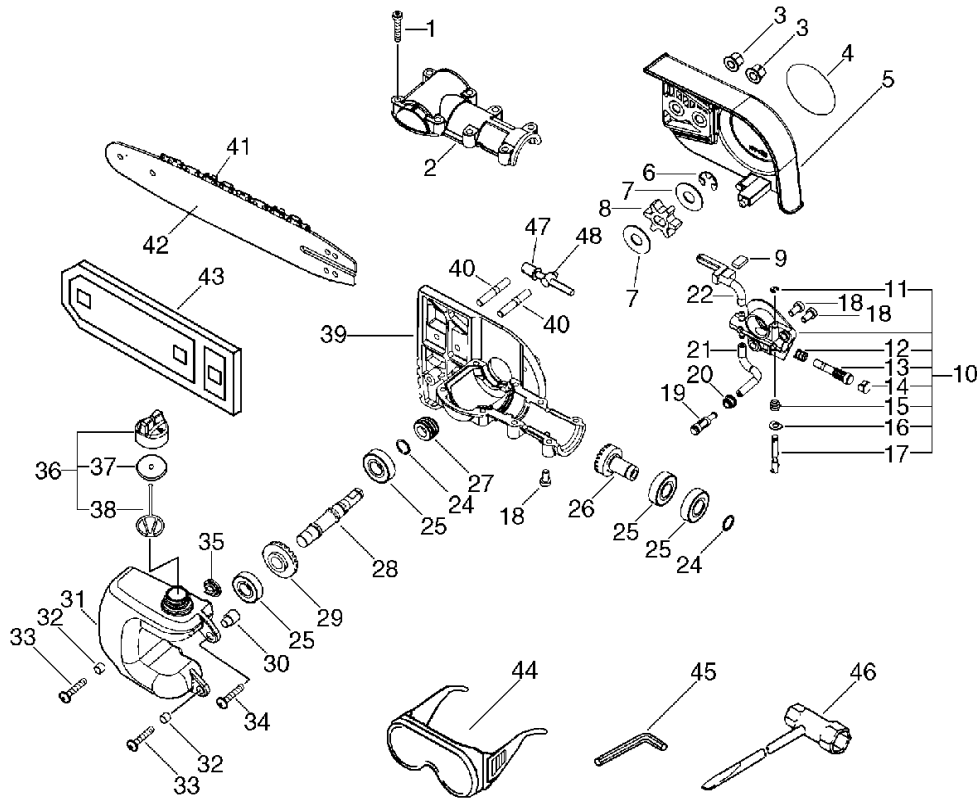
No.6



KEY	LV	PART NUMBER	Q'TY	DESCRIPTION	REMARKS	NOTE1	NOTE2
21		610410-22060	1	CASE, GEAR		TT No.40132	
22	+	433345-22060	1	GUIDE, SHAFT		TT No.40200	
23		900031-50100	6	LOCKNUT		TT No.45170	
24		900054-00100	1	SCREW, PAN HEAD		TT No.40520	
24		95111-13050	1	SCREW, TAPPING	COMBO HD. #8-1/2		
25		899580-40930	1	GOGGLE		Sus. by P021-002861	
25		899580-68730	1	SAFETY GLASSES		Sus. by P021-002861	
25		P021-002861	1	GOGGLES			
26		895415-22160	1	WRENCH, SPCKET		TT No.0271	
27		895710-22060	1	DRIVER, SCREW		Sus. by 895710-22160	
27		895710-22160	1	TOOL, DRIVER			
28		900058-00100	4	SCREW, FLAT		TT No.40500	
29		436010-22060	1	TANK, OIL		TT No.40111	
30		131312-39130	1	PIPE	3*5*70(+3)NBR	Sus. by V471-001200	
30		V471-001200	1	PIPE	3*5*70 NBR		
31		168218-22060	1	CUP, OIL		TT No.40113	
32		270217-22060	1	O-RING		TT No.40115	
33		436011-22060	1	TANK, OIL		TT No.40112	
34		436001-22060	1	CAP, OIL			
35	+	437122-22060	1	O-RING			
36		895112-00330	1	SPANNER 8*10		OPTION	

7. Auto-Oiler, Gear Case, Tools(Sr/Nr 001501 and after)

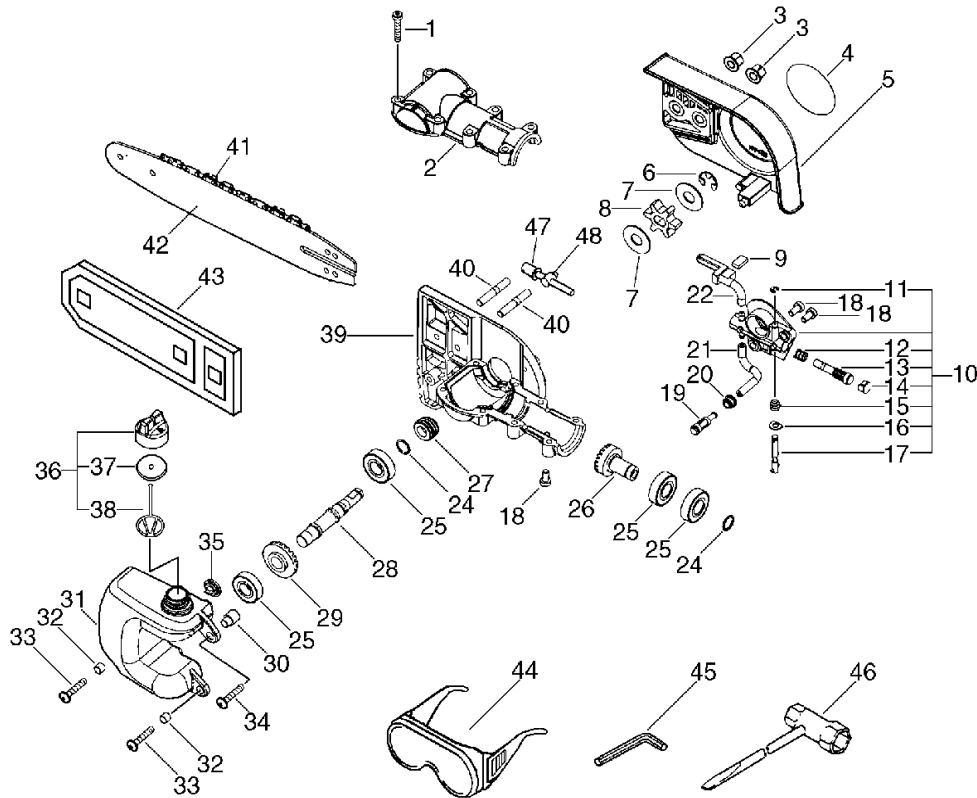
No.7



KEY	LV	PART NUMBER	Q'TY	DESCRIPTION	REMARKS	NOTE1	NOTE2
1		V253-000000	8	SCREW,5	5*25		
2		C531-000010	1	CASE,GEAR	25.5		
3		433019-03933	2	NUT, FLANGE 6	6		
4		890118-49130	1	LABEL, ECHO			
5		C300-000000	1	GUARD,SPROCKET		Sus. by C300-000001	
5		C300-000001	1	GUARD,SPROCKET			
6		V583-000010	1	RING			
7		175014-39130	2	WASHER, CLUTCH	10.2*25*1.2	Sus. by 175014-39131	
7		175014-39131	2	WASHER, CLUTCH	10.2*24.5*1.2		
8		C580-000070	1	SPROCKET,DRIVE			
9		437244-39130	1	PAD, FORM			
10		437002-39130	1	AUTO-OILER ASSY			
11	+	123127-15030	1	RING			
12	+	437019-38330	1	SPRING			
13	+	437024-37330	1	PLUNGER			
14	+	437062-37330	1	CAP, OIL PUMP			
15	+	437015-37330	1	SPRING			
16	+	437029-37330	1	WASHER			
17	+	437016-39130	1	NEEDLE, ADJUST			
18		V253-000010	3	SCREW,5	5*10		
19		436205-02832	1	STRAINER, OIL			
20		132115-01461	1	GROMMET			
21		130110-12330	1	PIPE, IMPULSE	3*6*70L		

7. Auto-Oiler, Gear Case, Tools(Sr/Nr 001501 and after)

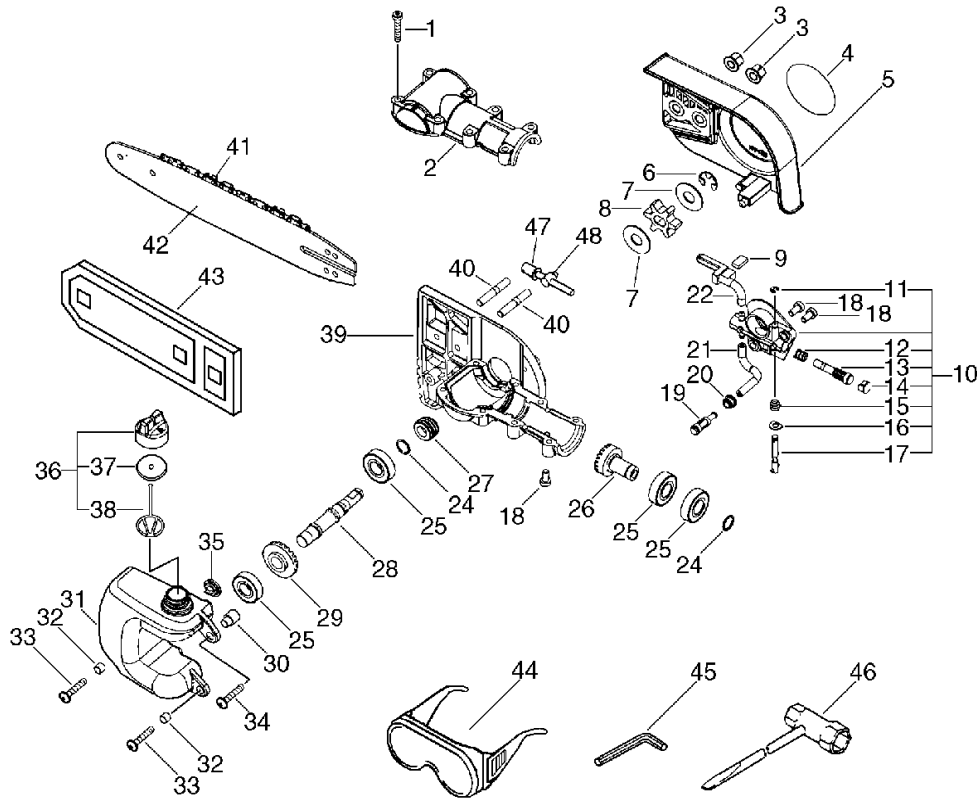
No.7



KEY	LV	PART NUMBER	Q'TY	DESCRIPTION	REMARKS	NOTE1	NOTE2
22		V470-000180	1	PIPE			
24		900706-00012	2	CIRCLIP 12	WR-12		
25		94052-06001	4	BEARING BALL	PEER LLU,DDU	Sus. by 94042-06001	
25		94042-06001	4	BEARING BALL	6001LLU		
26		V651-000030	1	GEAR,BEVEL		Sus. by V651-000032	
26		V651-000031	1	GEAR,BEVEL		Sus. by V651-000032	
26		V651-000032	1	GEAR,BEVEL			
27		437063-38330	1	GEAR, WORM			
28		C534-000020	1	SHAFT,GEAR			
29		610311-22060	1	GEAR		Sus. by 610311-22061	
29		610311-22061	1	GEAR			
30		V354-000010	1	COLLAR,6			
31		C200-000000	1	TANK,OIL			
32		131045-28230	2	COLLAR			
33		V253-000030	2	SCREW,5	5*16		
34		V253-000020	1	SCREW,5	5*28		
35		131314-06320	1	VALVE, CHECK			
36		P021-000950	1	CAP ASSY, OIL		Sus. by P021-000951	
36		P021-000951	1	CAP ASSY, OIL			
37	+	436012-37830	1	GASKET, CIRCULAR			

7. Auto-Oiler, Gear Case, Tools(Sr/Nr 001501 and after)

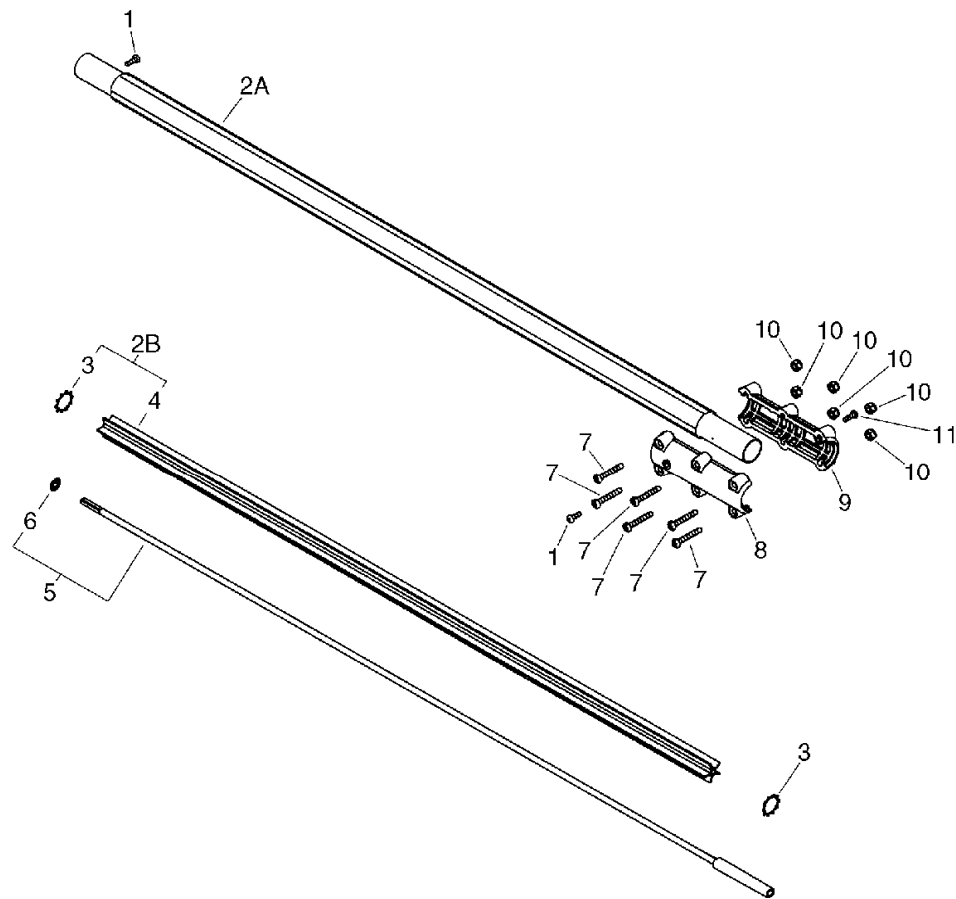
No.7



KEY	LV	PART NUMBER	Q'TY	DESCRIPTION	REMARKS	NOTE1	NOTE2
38	+	131051-19830	1	LINK	60L	Sus. by A365-000050	
38	+	A365-000050	1	CONNECTOR,CAP			
39		C531-000020	1	CASE,GEAR	25.5		
40		V224-000000	2	BOLT,STUD 6			
41		431610-22160	1	CHAIN, SAW	90SG-39		
42		430410-22160	1	BAR, GUIDE	(PP)		
43		898513-22160	1	SCABBARD, GUIDE BAR			
43		X490-000060	1	SCABBARD,CHAIN			
44		899580-68730	1	SAFETY GLASSES			
44		P021-002861	1	GOGGLES			
45		895612-03430	1	L-WRENCH (3MM)		Sus. by 4895410-39130	
45		895610-00130	1	L-WRENCH (4MM)			
46		895410-39130	1	WRENCH, W/S-DRIVER		Sus. by 895410-39131	
46		895410-39131	1	WRENCH, W/S-DRIVER			
47		433016-39131	1	BOLT			
48		433014-03931	1	TENSIONER			

8. 3FT. Extension

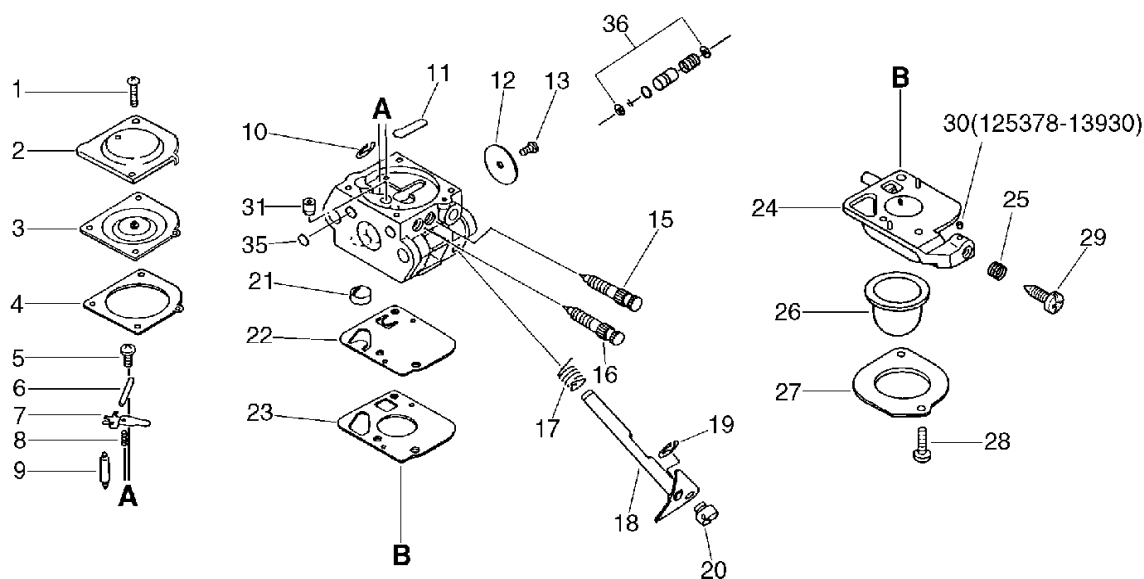
No.8



KEY	LV	PART NUMBER	Q'TY	DESCRIPTION	REMARKS	NOTE1	NOTE2
1		900054-00100	2	SCREW, PAN HEAD		Sus. by 95111-13050	
1		95111-13050	2	SCREW, TAPPING	COMBO HD. #8-1/2		
2		610609-22660	1	PIPE, MAIN		TT No.40543	
3	+	900038-00100	2	WASHER, EXTERNAL		TT No.40510	
4	+	610217-24660	1	LINER, FLEXIBLE			
5		610006-22660	1	SHAFT, DRIVE		TT No.41008 Sus. by P021-006070	
5		P021-006070	1	SHAFT, DRIVE SET			
6	+	900038-10100	1	WASHER		TT No.40511 Sus. by V583-000030	
6	+	V583-000030	1	RING			
7		900053-00400	6	SCREW		TT No.45140	
8		610282-22660	1	COLLAR, MAIN PIPE		TT No.40156	
9		610282-22060	1	COLLAR, MAIN PIPE		TT No.40159	
10		900031-50100	6	LOCKNUT		TT No.45170	
11		900061-00100	1	SCREW			

9. Carburetor

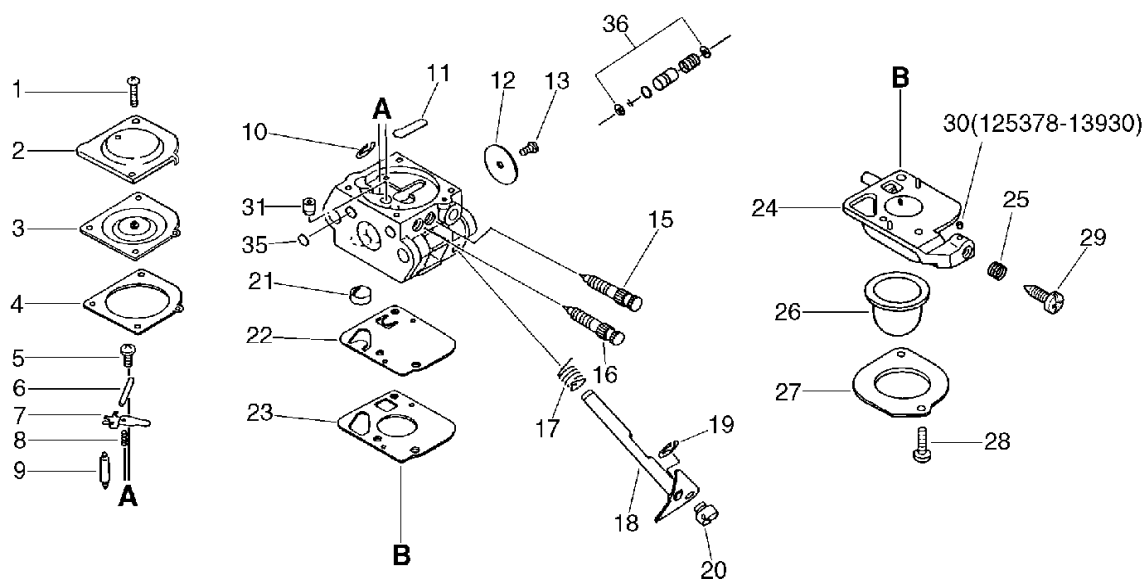
No.9



KEY	LV	PART NUMBER	Q'TY	DESCRIPTION	REMARKS	NOTE1	NOTE2
		125200-13311	1	CARBURETOR C1U-K52	C1U-K52	Sus. by 125200-13314	
		125200-13312	1	CARBURETOR	C1U-K52	Sus. by 125200-13314	
		125200-13313	1	CARBURETOR	C1U-K52	Sus. by 125200-13314	
		125200-13314	1	CARBURETOR	C1U-K52		
1	+	125344-52130	2	SCREW			
2	+	125342-13210	1	COVER, DIAPHRAGM			
3	+	125341-49030	1	DIAPHRAGM			
4	+	125340-51030	1	GASKET, DIAPHRAGM			
5	+	125339-42030	1	SCREW			
6	+	125338-13930	1	PIN, METERING ARM			
7	+	125323-42030	1	LEVER, METERING			
8	+	125322-42030	1	SPRING, COIL			
9	+	125337-06960	1	VALVE, INLET NEEDLE			
10	+	125327-15130	1	CLIP			
11	+	125345-15130	1	PLUG, WELCH			
12	+	125316-49030	1	VALVE, THROTTLE			
13	+	125314-13930	1	SCREW	3*4		
15	+	125318-13120	1	SCREW, IDLE NEEDLE			
16	+	125320-13310	1	NEEDLE, HIGH SPEED			
17	+	125313-42030	1	SPRING, THRT. RETURN			
18	+	125317-13310	1	SHAFT, THROTTLE			
19	+	125327-13930	1	CLIP			
20	+	125372-42030	1	SWIVEL			

9. Carburetor

No.9



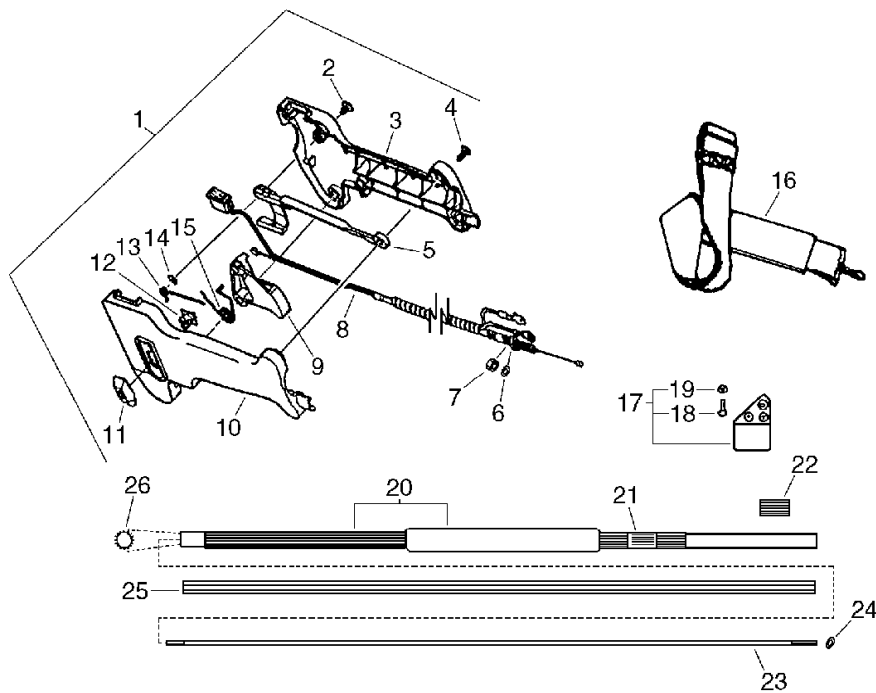
KEY	LV	PART NUMBER	Q'TY	DESCRIPTION	REMARKS	NOTE1	NOTE2
21	+	125326-42030	1	STRAINER			
22	+	125312-12820	1	DIAPHRAGM, FUEL PUMP			
23	+	125325-13310	1	GASKET, PUMP			
24	+	125383-13310	1	BASE, PRIMER		Sus. by P005-000590	
24	+	P005-000590	1	BASE,ASY PRIMER			
25	+	125333-06960	1	SPRING, IDLE ADJUSTER		Sr/Nr 001041 and after	
26	+	125381-08660	1	PUMP, PRIMING			
27	+	125363-11610	1	RING			
28	+	125310-11610	2	SCREW			
29	+	125334-13930	1	SCREW, IDLE ADJUST		Sr/Nr 001040 and before	
29	+	125334-06960	1	SCREW, THROTTLE ADJUST		Sr/Nr 001041 and after	
30	+	125378-13930	1	PIECE, FRICTION		Sr/Nr 001040 and before	
31	+	125376-13120	1	NOZZLE, CHECK VALVE			
35	+	125345-13310	1	PLUG, WELCH			
36	+	125306-13310	1	PUMP KIT, ACC.		Sr/Nr 001040 and before	
36	+	125306-13120	1	PUMP KIT, ACC.		Sr/Nr 001041 and after	
		125303-13310	1	DIAPHRAGM/GASKET KIT			
		125300-13310	1	REBUILD KIT			

10. Repair Kit

KEY	LV	PART NUMBER	Q'TY	DESCRIPTION	REMARKS	NOTE1	NOTE2
		125303-13310	1	DIAPHRAGM/GASKET KIT			
9-3	+	125341-49030	1	DIAPHRAGM			
9-4	+	125340-51030	1	GASKET, DIAPHRAGM			
9-23	+	125325-13310	1	GASKET, PUMP			
	+	125312-42030	1	DIAPHRAGM, FUEL PUMP			
		125300-13310	1	REBUILD KIT			
9-3	+	125341-49030	1	DIAPHRAGM			
9-4	+	125340-51030	1	GASKET, DIAPHRAGM			
9-6	+	125338-13930	1	PIN, METERING ARM			
9-7	+	125323-42030	1	LEVER, METERING			
9-8	+	125322-42030	1	SPRING, COIL			
9-9	+	125337-06960	1	VALVE, INLET NEEDLE			
9-11	+	125345-15130	1	PLUG, WELCH			
9-21	+	125326-42030	1	STRAINER			
9-23	+	125325-13310	1	GASKET, PUMP			
	+	125312-42030	1	DIAPHRAGM, FUEL PUMP			

11. PP-800(Handle)

No.11



The above Handle Grip's part cannot be applied to the current PPF-2110, an upgraded version of PP-800.

KEY	LV	PART NUMBER	Q'TY	DESCRIPTION	REMARKS	NOTE1	NOTE2
1		178003-22060	1	BRACKET, THROTTLE		TT No.40157	
2	+	900055-00200	1	SCREW, TAPPING		TT No.111070	
3	+	351110-22060	1	HANDLE, REAR		TT No.323373	
4	+	900059-00100	1	SCREW, SOCKET		TT No.111061	
5	+	178090-22060	1	LOCKOUT, THR.CONTROL		TT No.323385	
6	+	178020-22060	1	WASHER		TT No.216596	
7	+	437235-22060	1	NUT		TT No.217403	
8	+	178100-22260	1	CABLE ASY, THROTTLE		TT No.302328	
9	+	178010-22060	1	TRIGGER, THROTTLE		TT No.227064	
10	+	351129-22060	1	HANDLE, REAR		TT No.323374	
11	+	178127-22060	1	TUBE		TT No.229824	
12	+	178012-22060	1	LATCH, THROTTLE		TT No.229823	
13	+	178013-22060	1	SPRING, THROT. LATCH		TT No.323383	
14	+	660316-22160	1	CLIP		TT No.111170	
15	+	178043-22060	1	SPRING		TT No.323384	
16		301000-22060	1	HARNES ASY, SHOULDER		TT No.0023	
17		300610-22160	1	BRACKET, HARNES		TT No.40150	
18		900053-00200	2	SCREW		TT No.45120	
19		900031-50100	2	LOCKNUT		TT No.45170	
20		610299-22660	1	PIPE, MAIN		TT No.41005	
21		890160-22260	1	LABEL, CAUTION		TT No.40202	
22		178127-22160	1	TUBE		TT No.41021	
23		610013-22060	1	SHAFT, FLEXIBLE		TT No.40141	
24		900038-10100	1	WASHER		TT No.40511	
25		610217-22060	1	LINER, FLEXBLE		TT No.40143	
26		900038-00100	1	WASHER,EXTERNAL		TT No.40510	

Index

Patrs Number	Key No.	Patrs Number	Key No.	Patrs Number	Key No.
100000-48732	1 - 8	125325-13310	9 - 23	131312-39130	6 - 30
100011-05330	1 - 9	125326-42030	10 - 9-21	131314-06320	7 - 35
100012-51230	1 - 4	125326-42030	9 - 21	132010-13930	4 - 11
100013-11520	1 - 10	125327-13930	9 - 19	132010-56330	4 - 6
100014-11520	1 - 12	125327-15130	9 - 10	132013-09820	4 - 9
100015-04630	1 - 11	125333-06960	9 - 25	132115-01461	7 - 20
100100-44732	1 - 17	125334-06960	9 - 29	132115-46730	4 - 8
100204-52130	1 - 14	125334-13930	9 - 29	145510-42031	3 - 30
100204-52131	1 - 14	125337-06960	10 - 9-9	145631-42030	3 - 29
100204-52132	1 - 14	125337-06960	9 - 9	145800-54130	3 - 28
100212-42030	1 - 13	125338-13930	10 - 9-6	145862-40630	3 - 31
100212-42031	1 - 13	125338-13930	9 - 6	145863-54130	3 - 34
100215-03930	1 - 15	125339-42030	9 - 5	145866-42031	3 - 32
100242-42030	1 - 18	125340-51030	10 - 9-4	145871-44331	3 - 29
101010-44332	1 - 7	125340-51030	10 - 9-4	145876-42030	3 - 33
101011-06562	1 - 5	125340-51030	9 - 4	150112-44330	2 - 17
101511-44630	1 - 20	125341-49030	10 - 9-3	156626-52730	2 - 13
101514-44531	1 - 28	125341-49030	10 - 9-3	156801-09660	2 - 11
123127-15030	7 - 11	125341-49030	9 - 3	159010-10230	2 - 16
125200-13311	3 - 10	125342-13210	9 - 2	159011-03432	2 - 15
125200-13311	9 -	125344-52130	9 - 1	159012-01620	2 - 14
125200-13312	3 - 10	125345-13310	9 - 35	159012-10230	2 - 14
125200-13312	9 -	125345-15130	10 - 9-11	159016-05330	2 - 15
125200-13313	3 - 10	125345-15130	9 - 11	159912-44530	1 - 30
125200-13313	9 -	125363-11610	9 - 27	162010-52830	2 - 37
125200-13314	3 - 10	125372-42030	9 - 20	163400-49230	5 - 12
125200-13314	9 -	125376-13120	9 - 31	163401-55631	5 - 12
125300-13310	10 -	125378-13930	9 - 30	168218-22060	6 - 31
125300-13310	9 -	125381-08660	9 - 26	175000-56830	2 - 10
125303-13310	10 -	125383-13310	9 - 24	175005-42030	2 - 9
125303-13310	9 -	129011-52730	3 - 16	175014-39130	7 - 7
125306-13120	9 - 36	130010-42032	3 - 5	175014-39131	7 - 7
125306-13310	9 - 36	130016-42031	3 - 9	175053-04920	2 - 5
125310-11610	9 - 28	130017-42031	3 - 7	177200-42033	2 - 26
125312-12820	9 - 22	130110-12330	7 - 21	177202-44330	2 - 20
125312-42030	10 -	130307-06761	3 - 14	177202-44331	2 - 20
125312-42030	10 -	130310-54130	3 - 18	177215-44430	2 - 29
125313-42030	9 - 17	130313-05863	3 - 19	177218-44330	2 - 24
125314-13930	9 - 13	131004-08960	4 - 16	177220-42030	2 - 33
125316-49030	9 - 12	131004-55830	4 - 16	177226-10120	2 - 30
125317-13310	9 - 18	131005-46830	4 - 15	177227-42030	2 - 31
125318-13120	9 - 15	131005-46831	4 - 15	177228-06530	2 - 32
125320-13310	9 - 16	131016-55830	4 - 17	177234-42030	2 - 23
125322-42030	10 - 9-8	131045-28230	7 - 32	177236-44330	2 - 27
125322-42030	9 - 8	131051-19830	7 - 38	178001-44430	5 - 26
125323-42030	10 - 9-7	131051-52430	4 - 19	178001-56730	5 - 26
125323-42030	9 - 7	131205-07320	4 - 10	178003-22060	11 - 1
125325-13310	10 - 9-23	131300-56430	4 - 5	178003-52130	5 - 13
125325-13310	10 - 9-23	131312-39130	4 - 7	178010-22060	11 - 9

Index

Patrs Number	Key No.	Patrs Number	Key No.	Patrs Number	Key No.
178010-52130	5 - 17	437016-39130	7 - 17	899580-68730	6 - 25
178012-22060	11 - 12	437019-38330	7 - 12	899580-68730	7 - 44
178012-52730	5 - 29	437024-37330	7 - 13	900030-00200	6 - 6
178013-22060	11 - 13	437029-37330	7 - 16	900031-50100	11 - 19
178013-52630	5 - 30	437062-37330	7 - 14	900031-50100	5 - 8
178020-22060	11 - 6	437063-38330	7 - 27	900031-50100	6 - 23
178043-22060	11 - 15	437122-22060	6 - 35	900031-50100	8 - 10
178043-42230	5 - 18	437235-22060	11 - 7	900035-00400	6 - 15
178090-22060	11 - 5	437244-39130	7 - 9	900038-00100	11 - 26
178090-52630	5 - 28	610006-22660	8 - 5	900038-00100	5 - 4
178090-52631	5 - 28	610013-22060	11 - 23	900038-00100	8 - 3
178090-52632	5 - 28	610013-22060	5 - 6	900038-10100	11 - 24
178100-22260	11 - 8	610206-24660	5 - 1	900038-10100	8 - 6
178127-22060	11 - 11	610206-24661	5 - 1	900040-00100	6 - 8
178127-22160	11 - 22	610217-22060	11 - 25	900053-00100	6 - 2
178127-22160	5 - 23	610217-22060	5 - 5	900053-00200	11 - 18
178127-50330	5 - 25	610217-24660	8 - 4	900053-00200	5 - 9
210417-52730	3 - 20	610272-52130	5 - 20	900053-00400	6 - 16
270217-22060	6 - 32	610282-22060	8 - 9	900053-00400	8 - 7
300605-22160	5 - 7	610282-22660	8 - 8	900054-00100	6 - 24
300610-22160	11 - 17	610299-22660	11 - 20	900054-00100	8 - 1
301000-22060	11 - 16	610309-22060	6 - 20	900055-00200	11 - 2
301000-22060	5 - 27	610309-22160	6 - 19	900057-00100	6 - 5
301200-29430	5 - 10	610311-22060	6 - 18	900058-00100	6 - 28
302810-22060	6 - 7	610311-22060	7 - 29	900059-00100	11 - 4
305110-42030	4 - 18	610311-22061	6 - 18	900060-00100	6 - 13
351110-22060	11 - 3	610311-22061	7 - 29	900061-00100	8 - 11
351129-22060	11 - 10	610410-22060	6 - 21	900105-05055	3 - 36
351213-52130	5 - 19	610460-22760	6 - 17	900151-05025	1 - 21
351311-22060	5 - 3	610609-22660	8 - 2	900162-04022	2 - 12
430410-22160	6 - 9	660316-22160	11 - 14	900162-05022	1 - 6
430410-22160	7 - 42	890112-24660	1 - 27	900162-05025	1 - 21
431610-22160	6 - 10	890118-49130	2 - 36	900162-05028	1 - 19
431610-22160	7 - 41	890118-49130	7 - 4	900163-04016	1 - 24
433001-22060	6 - 1	890121-05360	3 - 21	900163-04016	1 - 31
433004-22160	6 - 12	890121-06360	3 - 21	900163-04016	2 - 35
433010-22060	6 - 4	890160-22260	11 - 21	900238-04010	3 - 35
433014-03931	7 - 48	890160-22660	5 - 2	900238-04012	1 - 26
433016-39131	7 - 47	895112-00330	6 - 36	900238-05016	4 - 12
433019-03933	7 - 3	895410-39130	7 - 46	900238-05020	3 - 8
433095-22060	6 - 3	895410-39131	7 - 46	900242-05014	5 - 11
433345-22060	6 - 22	895415-22160	6 - 26	900242-05025	5 - 16
436001-22060	6 - 34	895610-00130	7 - 45	900242-05028	5 - 21
436010-22060	6 - 29	895612-03430	7 - 45	900242-05035	5 - 15
436011-22060	6 - 33	895710-22060	6 - 27	900242-05065	3 - 17
436012-37830	7 - 37	895710-22160	6 - 27	900253-05016	1 - 29
436205-02832	7 - 19	898513-22160	6 - 11	900500-00005	3 - 6
437002-39130	7 - 10	898513-22160	7 - 43	900500-00005	5 - 14
437015-37330	7 - 15	899580-40930	6 - 25	900500-00005	5 - 22

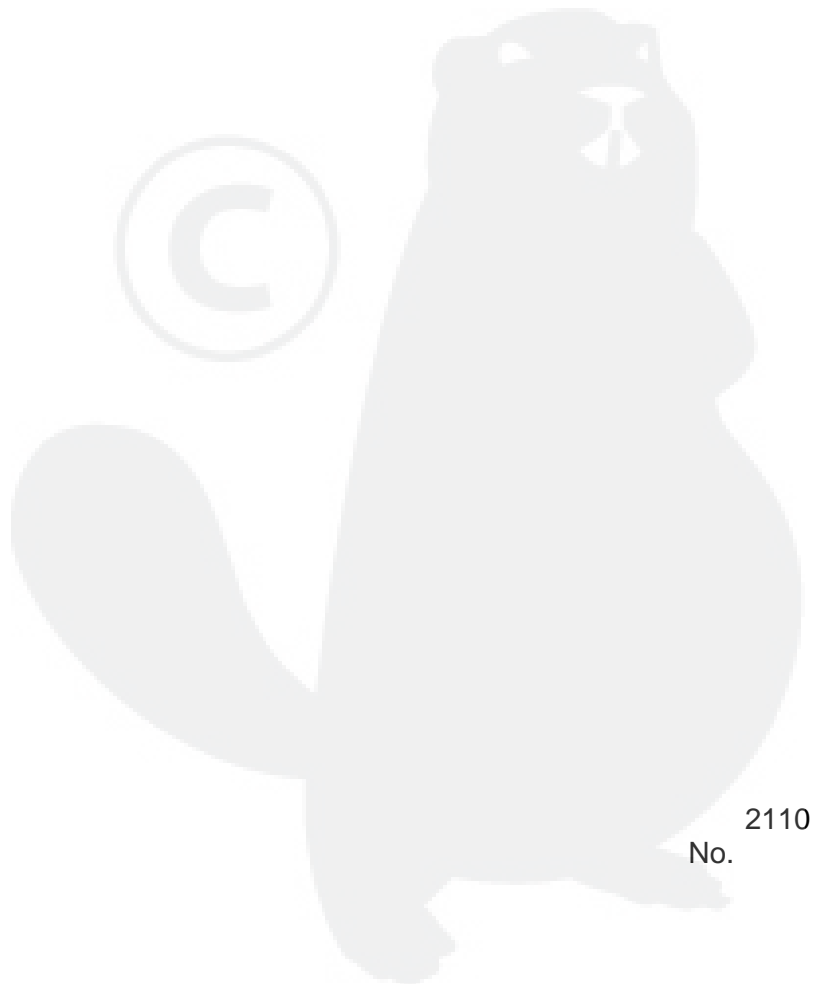
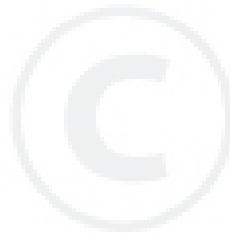
Index

Patrs Number	Key No.	Patrs Number	Key No.	Patrs Number	Key No.
900502-00006	5 - 24	P021-006070	8 - 5		
900600-00005	1 - 23	V103-000111	3 - 9		
900600-00005	3 - 37	V104-000000	3 - 32		
900603-00005	4 - 14	V104-000001	3 - 32		
900605-00005	1 - 22	V104-000002	3 - 32		
900701-00012	2 - 6	V104-000003	3 - 32		
900702-00032	2 - 8	V104-000160	3 - 30		
900706-00012	7 - 24	V137-000030	4 - 8		
900802-06001	6 - 14	V224-000000	7 - 40		
900810-36201	1 - 16	V253-000000	7 - 1		
900814-06201	2 - 7	V253-000010	7 - 18		
94035-36201	1 - 16	V253-000020	7 - 34		
94042-06001	6 - 14	V253-000030	7 - 33		
94042-06001	7 - 25	V354-000010	7 - 30		
94052-06001	7 - 25	V470-000180	7 - 22		
95111-13050	6 - 24	V471-001190	4 - 11		
95111-13050	8 - 1	V471-001200	4 - 7		
A011-000000	1 - 17	V471-001200	6 - 30		
A011-000001	1 - 17	V553-000010	1 - 4		
A011-000002	1 - 17	V553-000030	1 - 4		
A101-000000	1 - 9	V583-000010	7 - 6		
A130-000020	1 - 5	V583-000030	8 - 6		
A130-000021	1 - 5	V651-000030	7 - 26		
A313-000000	3 - 34	V651-000031	7 - 26		
A320-000250	3 - 29	V651-000032	7 - 26		
A320-000251	3 - 29	X490-000060	6 - 11		
A356-000030	4 - 5	X490-000060	7 - 43		
A365-000050	7 - 38				
C200-000000	7 - 31				
C300-000000	7 - 5				
C300-000001	7 - 5				
C531-000010	7 - 2				
C531-000020	7 - 39				
C534-000020	7 - 28				
C580-000070	7 - 8				
P005-000590	9 - 24				
P021-000310	3 - 28				
P021-000311	3 - 28				
P021-000312	3 - 28				
P021-000313	3 - 28				
P021-000314	3 - 28				
P021-000390	1 - 8				
P021-000950	7 - 36				
P021-000951	7 - 36				
P021-001101	1 - 8				
P021-001102	1 - 8				
P021-002861	6 - 25				
P021-002861	7 - 44				
P021-004260	3 - 14				

YAMABIKO CORPORATION

7-2 SUEHIROCHO 1-CHOME, OHME, TOKYO 198-8760, JAPAN
PHONE: 81-428-32-6118. FAX: 81-428-32-6145.

ECHO®



2110
No.