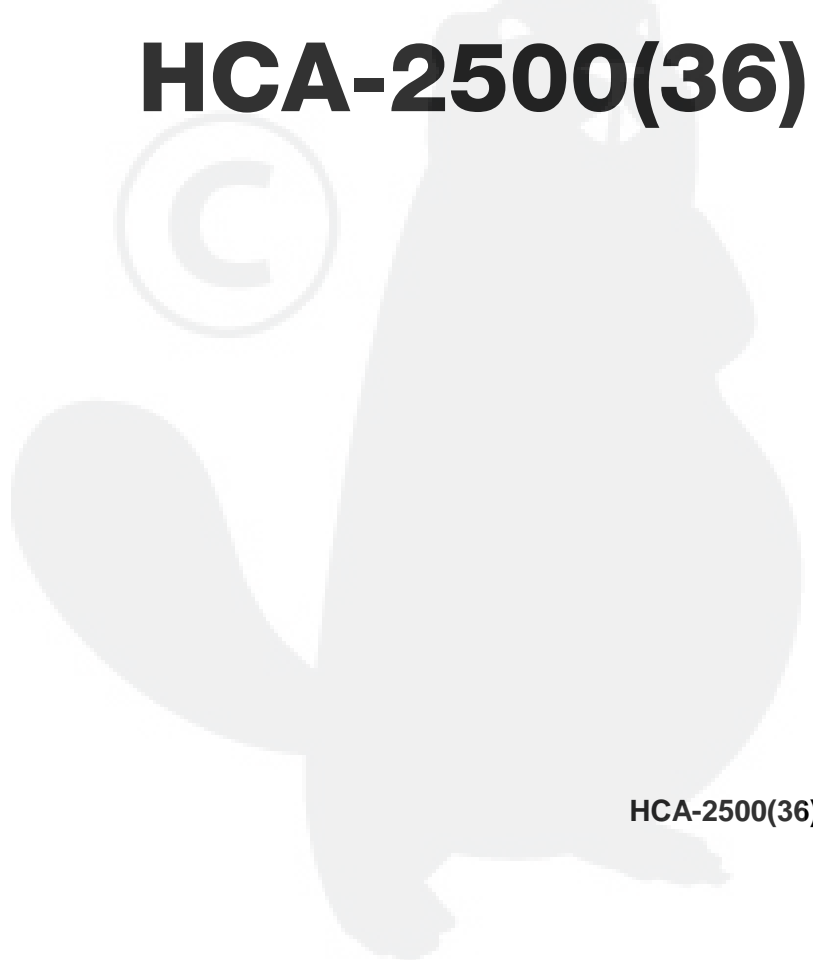




**PARTS CATALOG**

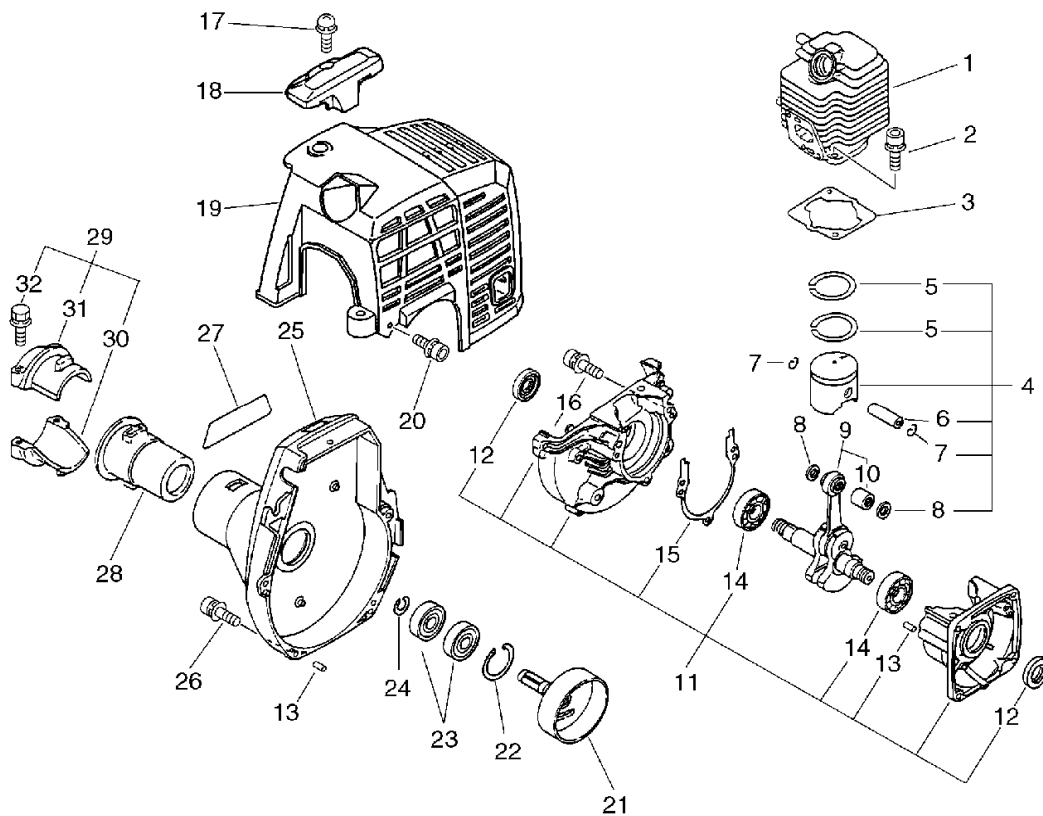
**SHAFT HEDGE TRIMMER**

**HCA-2500(36)**



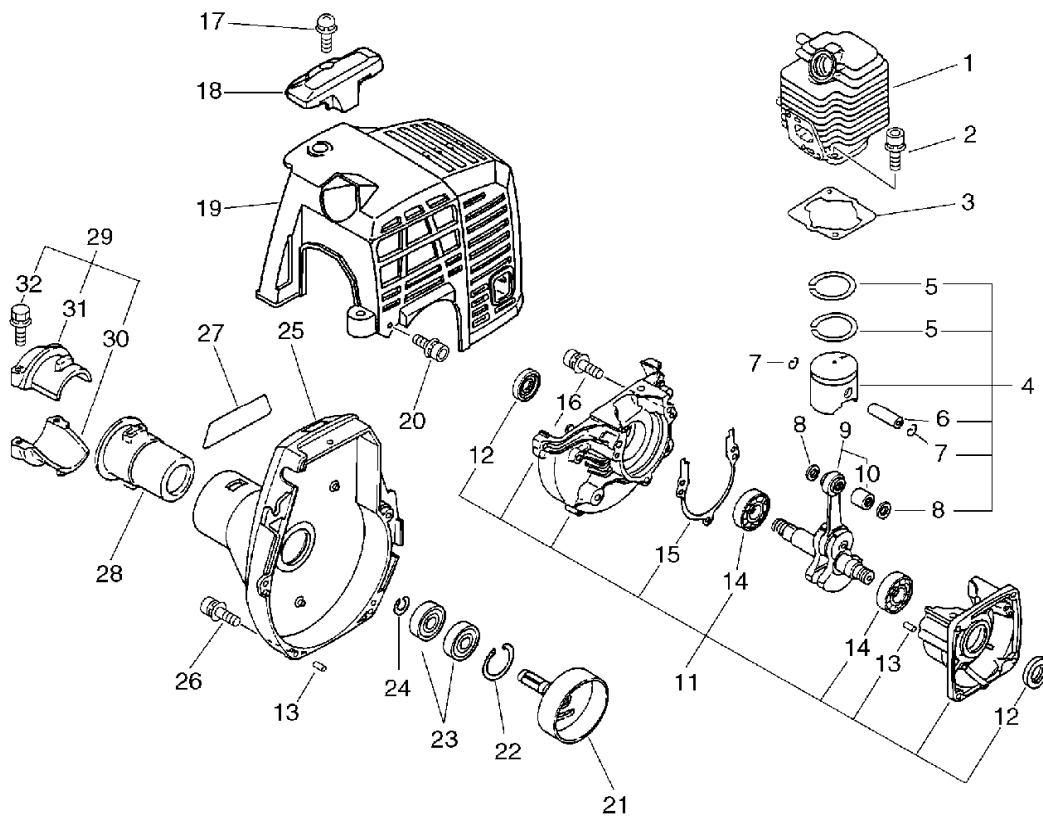
HCA-2500(36)

# 1. Cylinder, Crankcase, Piston, Fan Cover



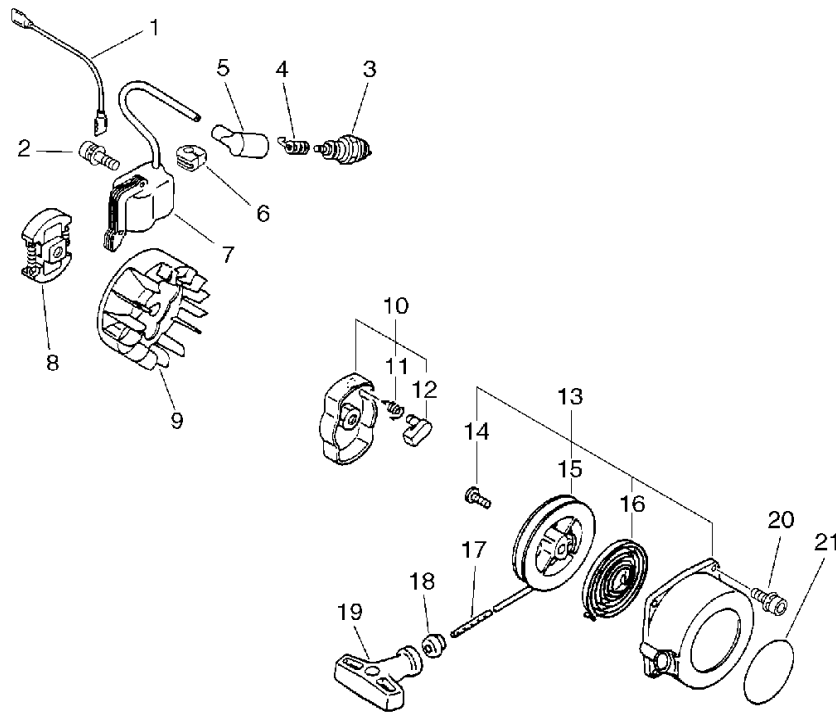
| KEY | LV | PART NUMBER  | Q'TY | DESCRIPTION         | REMARKS        | NOTE1 | NOTE2 |
|-----|----|--------------|------|---------------------|----------------|-------|-------|
| 1   |    | 101011-08961 | 1    | CYLINDER (CR)       |                |       |       |
| 2   |    | 900162-05022 | 2    | BOLT, H.S. 5*22     | 5*22 W,SW      |       |       |
| 3   |    | 101010-44332 | 1    | GASKET, CYL. BASE   |                |       |       |
| 4   |    | 100000-09563 | 1    | PISTON KIT          |                |       |       |
| 5   | +  | 100011-09560 | 2    | RING, PISTON        |                |       |       |
| 6   | +  | 100013-11520 | 1    | PIN, PISTON         |                |       |       |
| 7   | +  | 100015-04630 | 2    | CIRCLIP, PISTON PIN |                |       |       |
| 8   | +  | 100014-11520 | 2    | SPACER, PISTON PIN  |                |       |       |
| 9   |    | A011-000101  | 1    | CRANKSHAFT,ASM      |                |       |       |
| 10  | +  | V553-000010  | 1    | BEARING,NEEDLE 8    | HK0810         |       |       |
| 11  |    | 100204-52132 | 1    | CRANKCASE KIT       |                |       |       |
| 12  | +  | 100212-42031 | 2    | OILSEAL             | ISCD 12*22*4.5 |       |       |
| 13  | +  | 100215-03930 | 2    | PIN, DOWEL          |                |       |       |
| 14  | +  | 94035-36201  | 2    | BEARING BALL        | 6201X3JR2C3    |       |       |
| 15  | +  | 100242-42030 | 1    | GASKET, CRANKCASE   |                |       |       |
| 16  | +  | 900162-05028 | 3    | BOLT, H.S. 5*28     | 5*28 W,SW      |       |       |
| 17  |    | 900238-05016 | 1    | SCREW 5*16          | 5*16           |       |       |
| 18  |    | 159912-54130 | 1    | GUARD, TOP          |                |       |       |
| 19  |    | 101514-48930 | 1    | COVER, CYLINDER     |                |       |       |
| 20  |    | 900163-04016 | 2    | BOLT HSH            |                |       |       |
| 21  |    | 175005-48931 | 1    | DRUM, CLUTCH        |                |       |       |
| 22  |    | 900702-00028 | 1    | CIRCLIP 28          | CR-28          |       |       |
| 23  |    | 900807-96001 | 2    | BEARING, BALL 6001  | 6001           |       |       |
| 24  |    | 900701-00012 | 1    | CIRCLIP 12          | CS-12          |       |       |
| 25  |    | 101503-52131 | 1    | COVER ASSY, FAN     |                |       |       |

# 1. Cylinder, Crankcase, Piston, Fan Cover



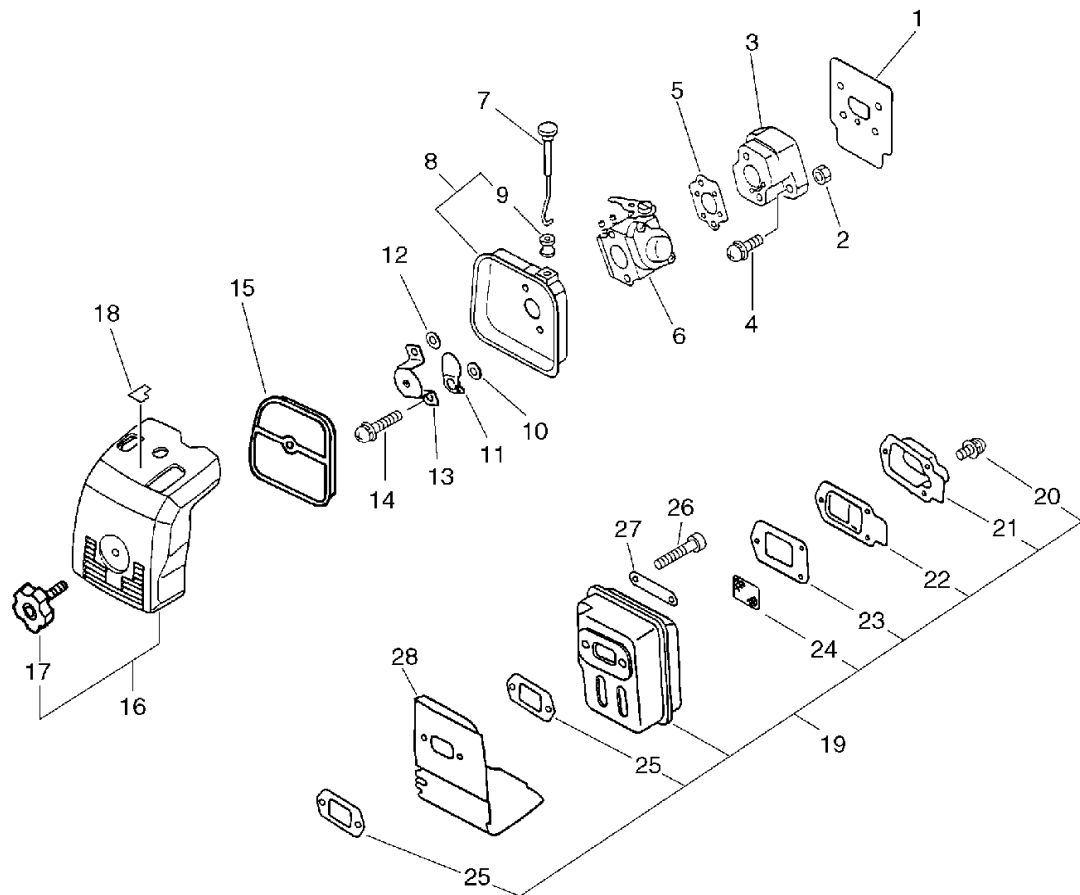
| KEY | LV | PART NUMBER  | Q'TY | DESCRIPTION        | REMARKS  | NOTE1 | NOTE2 |
|-----|----|--------------|------|--------------------|----------|-------|-------|
| 13  |    | 100215-03930 | 2    | PIN, DOWEL         |          |       |       |
| 26  |    | 900163-04016 | 4    | BOLT HSH           |          |       |       |
| 27  |    | X503-006300  | 1    | LABEL, MODEL       | HCA-2500 |       |       |
| 28  |    | 610910-55230 | 1    | CUSHION            |          |       |       |
| 29  |    | 610903-55230 | 1    | HOLDER KIT         |          |       |       |
| 30  | +  | 610923-55230 | 1    | HOLDER             |          |       |       |
| 31  | +  | 610922-27432 | 1    | HOLDER             |          |       |       |
| 32  | +  | 900142-05025 | 2    | BOLT 5*25 (W/W,SW) | 5*25     |       |       |

## 2. Starter, Magneto, Clutch



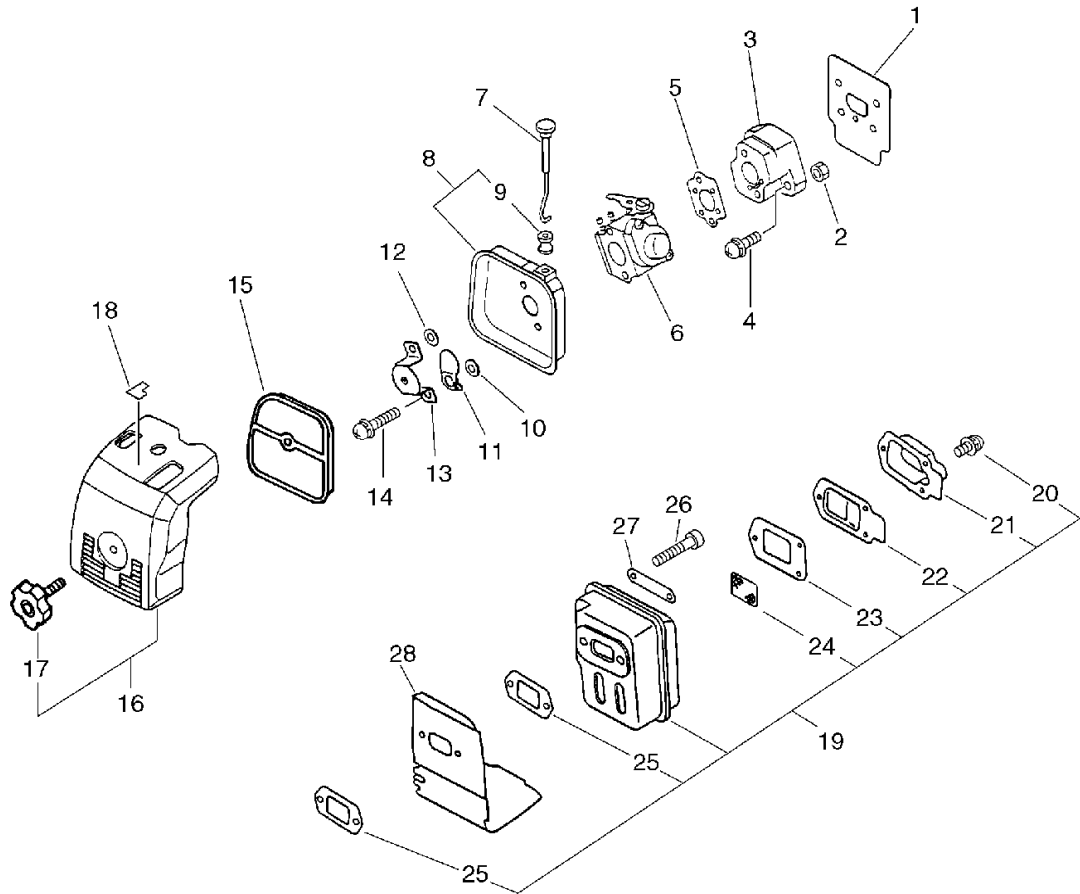
| KEY | LV | PART NUMBER  | Q'TY | DESCRIPTION           | REMARKS   | NOTE1                | NOTE2 |
|-----|----|--------------|------|-----------------------|-----------|----------------------|-------|
| 1   |    | 162010-52830 | 1    | LEAD, GROUND          |           |                      |       |
| 2   |    | 900162-04022 | 2    | BOLT, H.S. 4*22       | 4*22 W,SW |                      |       |
| 3   |    | 159010-10230 | 1    | PLUG, SPARK (BPMR-7A) | BPMR-7A   |                      |       |
| 4   |    | 159011-03432 | 1    | COIL, SPARK PLUG      |           |                      |       |
| 5   |    | 159012-03433 | 1    | CAP, SPARK PLUG       |           |                      |       |
| 6   |    | 156112-40630 | 1    | GROMMET               |           |                      |       |
| 7   |    | 156626-52630 | 1    | COIL, IGNITION        |           |                      |       |
| 8   |    | 175000-56830 | 1    | CLUTCH ASSY           |           | Sus. by 175000-56831 |       |
| 9   |    | 156801-44731 | 1    | FLYWHEEL              |           |                      |       |
| 10  |    | 177202-44331 | 1    | PAWL ASM., STARTER    |           |                      |       |
| 11  | +  | 177234-42030 | 1    | SPRING, RETURN        |           |                      |       |
| 12  | +  | 177218-44330 | 1    | PAWL, STARTER         | BLACK     |                      |       |
| 13  |    | 177200-42033 | 1    | STARTER ASSY          |           |                      |       |
| 14  | +  | 177236-44330 | 1    | SCREW                 |           |                      |       |
| 15  | +  | 177215-44430 | 1    | DRUM, STARTER         |           |                      |       |
| 16  | +  | 177220-42030 | 1    | SPRING, REWIND        |           |                      |       |
| 17  | +  | 177226-10120 | 1    | ROPE, STARTER         | 3.0*1000  |                      |       |
| 18  | +  | 177227-42030 | 1    | GUIDE, ROPE           |           |                      |       |
| 19  | +  | 177228-06530 | 1    | GRIP, STARTER         |           |                      |       |
| 20  |    | 900163-04016 | 2    | BOLT HSH              |           |                      |       |
| 21  |    | 890118-49130 | 1    | LABEL, ECHO           |           |                      |       |

### 3. Air Cleaner, Muffler



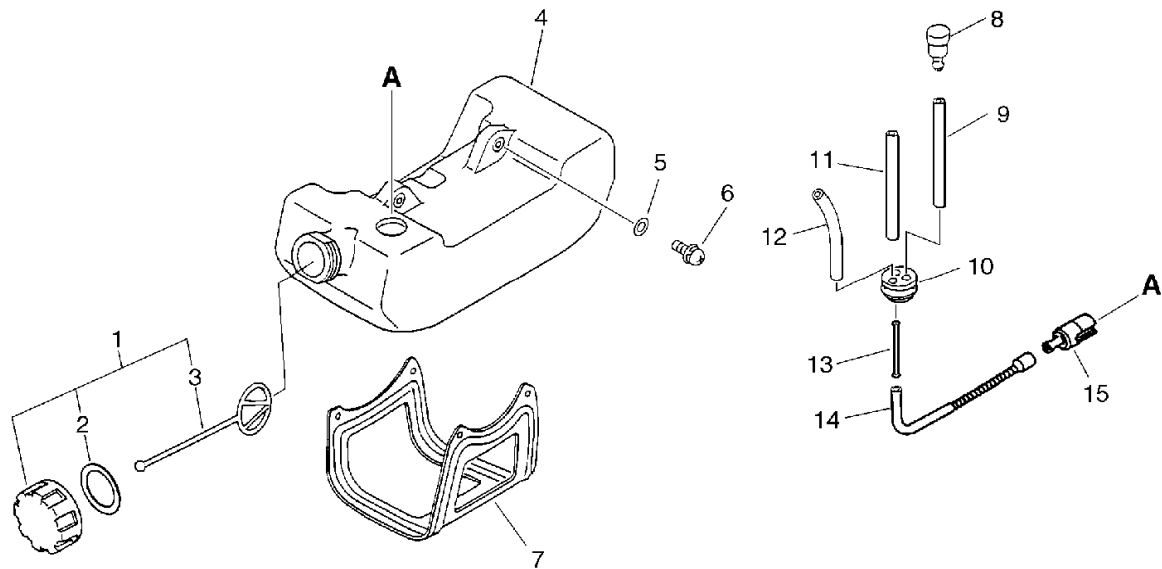
| KEY | LV | PART NUMBER  | Q'TY | DESCRIPTION          | REMARKS    | NOTE1 | NOTE2 |
|-----|----|--------------|------|----------------------|------------|-------|-------|
| 1   |    | 130010-42032 | 1    | GASKET,INTAKE        |            |       |       |
| 2   |    | 900500-00005 | 2    | NUT 5                | 5          |       |       |
| 3   |    | 130017-42031 | 1    | INSULATOR, INTAKE    |            |       |       |
| 4   |    | 900238-05020 | 2    | SCREW 5*20           | 5*20       |       |       |
| 5   |    | 130010-05960 | 1    | GASKET, INTAKE       |            |       |       |
| 6   |    | 123000-52133 | 1    | CARBURETOR WT-424C   | WT-424C    |       |       |
| 7   |    | 178510-51730 | 1    | ROD, CHOKE           |            |       |       |
| 8   |    | 130301-51730 | 1    | CASE, AIR CLEANER    |            |       |       |
| 9   | +  | 178810-05230 | 1    | GROMMET              |            |       |       |
| 10  |    | 178516-00830 | 1    | SPACER               | 5.2*8*0.8T |       |       |
| 11  |    | 178515-05060 | 1    | SHUTTER, CHOKE       |            |       |       |
| 12  |    | 900600-00005 | 1    | WASHER 5             | 5          |       |       |
| 13  |    | 129011-52131 | 1    | PLATE                |            |       |       |
| 14  |    | 900242-05057 | 2    | SCREW 5*57           | 5*57       |       |       |
| 15  |    | 130310-51830 | 1    | FILTER, AIR          |            |       |       |
| 16  |    | 130302-52131 | 1    | COVER ASY, A.CLEANER |            |       |       |
| 17  | +  | 130406-52131 | 1    | KNOB, FASTENER       |            |       |       |
| 18  |    | 890121-47530 | 1    | LABEL, CHOKE         |            |       |       |
| 19  |    | P021-008940  | 1    | MUFFLER ASY          |            |       |       |
| 20  | +  | 900242-04010 | 3    | SCREW 4*10           | 4*10       |       |       |
| 21  | +  | 145818-52130 | 1    | GUIDE, EXHAUST       |            |       |       |
| 22  | +  | 145876-42030 | 1    | LID, MUFFLER (B)     |            |       |       |
| 23  | +  | 145866-42031 | 1    | GASKET, MUFFLER LID  |            |       |       |
| 24  | +  | 145862-40630 | 1    | SCREEN, MUFFLER      |            |       |       |
| 25  | +  | V104-000160  | 2    | GASKET,EXHAUST       |            |       |       |
| 26  |    | 900105-05055 | 2    | BOLT, H.S. 5*55      | 5*55       |       |       |

### 3. Air Cleaner, Muffler



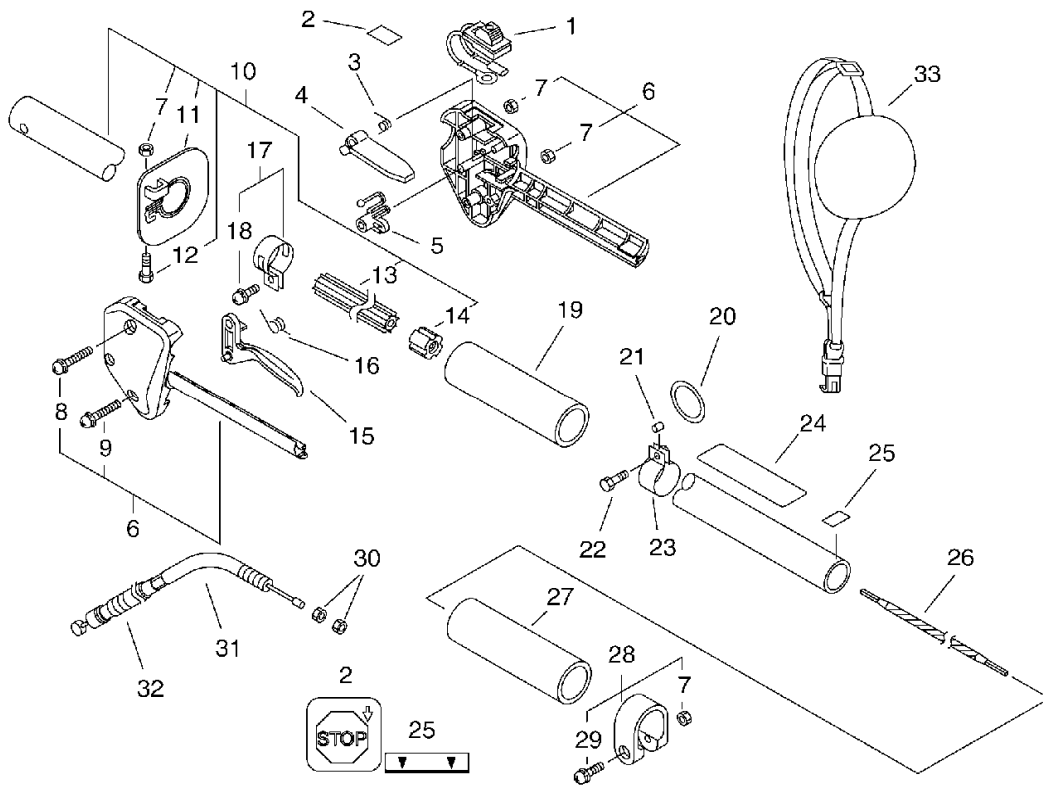
| KEY | LV | PART NUMBER  | Q'TY | DESCRIPTION   | REMARKS | NOTE1 | NOTE2 |
|-----|----|--------------|------|---------------|---------|-------|-------|
| 27  |    | 145642-04930 | 1    | WASHER        |         |       |       |
| 28  |    | A320-000251  | 1    | COVER,MUFFLER |         |       |       |

## 4. Fuel Tank



| KEY | LV | PART NUMBER  | Q'TY | DESCRIPTION          | REMARKS    | NOTE1                | NOTE2 |
|-----|----|--------------|------|----------------------|------------|----------------------|-------|
| 1   |    | 131004-08960 | 1    | CAP ASSY, FUEL       |            |                      |       |
| 2   | +  | 131016-55830 | 1    | GASKET, FUEL CAP     |            |                      |       |
| 3   | +  | 131051-52430 | 1    | CONNECTOR, CAP       | 80L        |                      |       |
| 4   |    | 131005-46831 | 1    | TANK, FUEL           |            |                      |       |
| 5   |    | 900603-00005 | 2    | WASHER 5             | 5.5*12*0.8 |                      |       |
| 6   |    | 900238-05016 | 2    | SCREW 5*16           | 5*16       |                      |       |
| 7   |    | 305110-42030 | 1    | STAND (BL)           |            |                      |       |
| 8   |    | A356-000030  | 1    | VALVE,CHECK          |            |                      |       |
| 9   |    | V471-001200  | 1    | PIPE                 | 3*5*70 NBR |                      |       |
| 10  |    | V137-000030  | 1    | GROMMET,FUEL         |            |                      |       |
| 11  |    | V471-001200  | 1    | PIPE                 | 3*5*70 NBR |                      |       |
| 12  |    | 132010-56330 | 1    | PIPE 3*6*90          | 3*6*90 YL  |                      |       |
| 13  |    | 132012-12360 | 1    | PIPE, FUEL           |            | Sus. by 132012-12361 |       |
| 14  |    | 132011-03360 | 1    | CONNECTOR, FUEL PIPE |            |                      |       |
| 15  |    | 131205-07320 | 1    | STRAINER, FUEL       |            |                      |       |

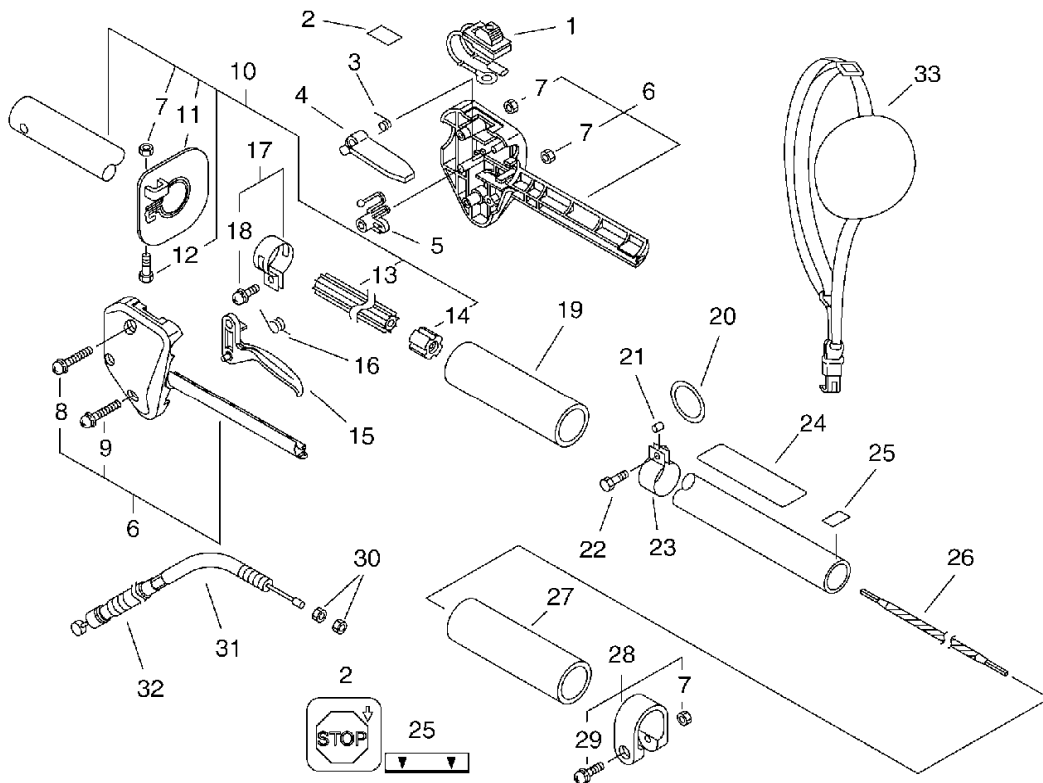
## 5. Handle



| KEY | LV | PART NUMBER  | Q'TY | DESCRIPTION           | REMARKS | NOTE1 | NOTE2 |
|-----|----|--------------|------|-----------------------|---------|-------|-------|
| 1   |    | 163401-55631 | 1    | SWITCH, IGNITION      |         |       |       |
| 2   |    | 890157-39130 | 1    | LABEL, SWITCH         |         |       |       |
| 3   |    | 178013-52630 | 1    | SPRING, THR. LOCK     |         |       |       |
| 4   |    | 178090-52632 | 1    | LOCKOUT, T. CONTROL   |         |       |       |
| 5   |    | 178012-52730 | 1    | LOCKOUT, THROTTLE     |         |       |       |
| 6   |    | 178003-52130 | 1    | BRACKET SET, THROTTLE |         |       |       |
| 7   | +  | 900500-00005 | 2    | NUT 5                 | 5       |       |       |
| 8   | +  | 900242-05035 | 1    | SCREW 5*35            | 5*35    |       |       |
| 9   | +  | 900242-05025 | 1    | SCREW 5*25            | 5*25    |       |       |
| 10  |    | C050-000440  | 1    | PIPE, MAIN            |         |       |       |
| 7   | +  | 900500-00005 | 1    | NUT 5                 | 5       |       |       |
| 11  | +  | C440-000020  | 1    | GUARD, HAND           |         |       |       |
| 12  | +  | 900142-05020 | 1    | BOLT 5*20 (W/W, SW)   | 5*20    |       |       |
| 13  | +  | 610217-44730 | 1    | LINER, FLEXIBLE       |         |       |       |
| 14  | +  | 610246-44730 | 2    | STOPPER               |         |       |       |
| 15  |    | 178010-52130 | 1    | CONTROL, THROTTLE     |         |       |       |
| 16  |    | 178043-42230 | 1    | SPRING, THR. RETURN   |         |       |       |
| 17  |    | 301200-29430 | 1    | BAND ASSY             |         |       |       |
| 18  | +  | 900242-05014 | 1    | SCREW 5*14            | 5*14    |       |       |
| 19  |    | 351213-52130 | 1    | GRIP                  |         |       |       |
| 20  |    | 301016-52730 | 1    | RING, HARNESS         |         |       |       |
| 21  |    | 699012-03330 | 1    | SPACER                |         |       |       |
| 22  |    | 900100-05018 | 1    | BOLT 5*18             | 5*18    |       |       |
| 23  |    | 301207-08930 | 1    | HOOK                  |         |       |       |
| 24  |    | 890617-12361 | 1    | LABEL, CAUTION        |         |       |       |
| 25  |    | 890152-04930 | 1    | LABEL, CAUTION        |         |       |       |

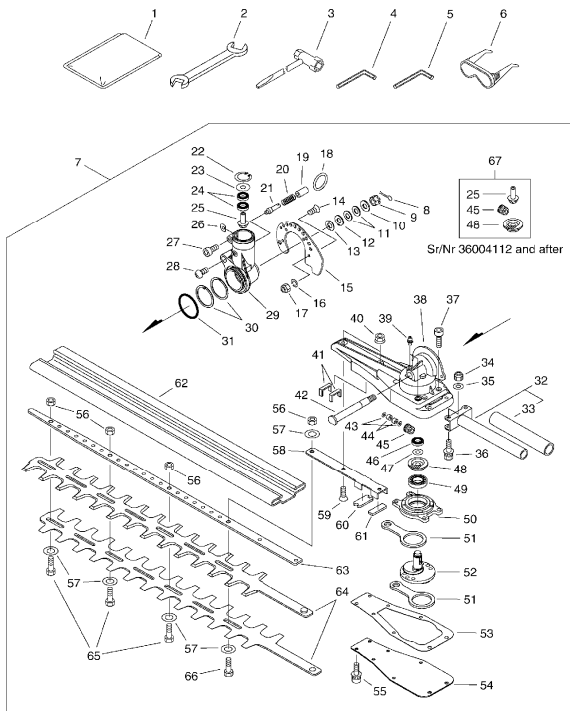


## 5. Handle



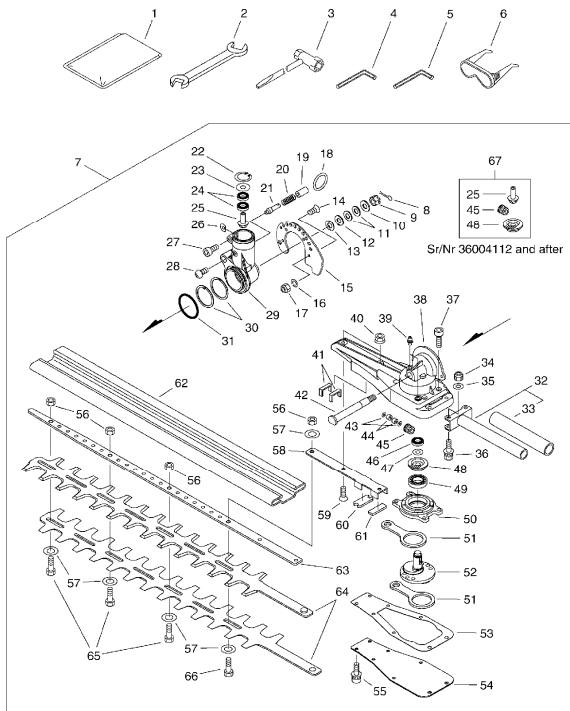
| KEY | LV | PART NUMBER  | Q'TY | DESCRIPTION       | REMARKS   | NOTE1 | NOTE2 |
|-----|----|--------------|------|-------------------|-----------|-------|-------|
| 26  |    | 610013-44730 | 1    | SHAFT, FLEXIBLE   |           |       |       |
| 27  |    | 351012-54330 | 1    | GRIP              |           |       |       |
| 28  |    | 610272-52130 | 1    | BAND              |           |       |       |
| 7   | +  | 900500-00005 | 1    | NUT 5             | 5         |       |       |
| 29  | +  | 900242-05028 | 1    | SCREW 5*28        | 5*28      |       |       |
| 30  |    | 900502-00006 | 2    | NUT 6 (3N)        | 3N6       |       |       |
| 31  |    | 178001-56730 | 1    | CABLE, THROTTLE   |           |       |       |
| 32  |    | 178127-50330 | 1    | TUBE              | 10*11*140 |       |       |
| 33  |    | C062-000100  | 1    | HARNESS, SHOULDER |           |       |       |

## 6. Gear Case, Cutter, Tools



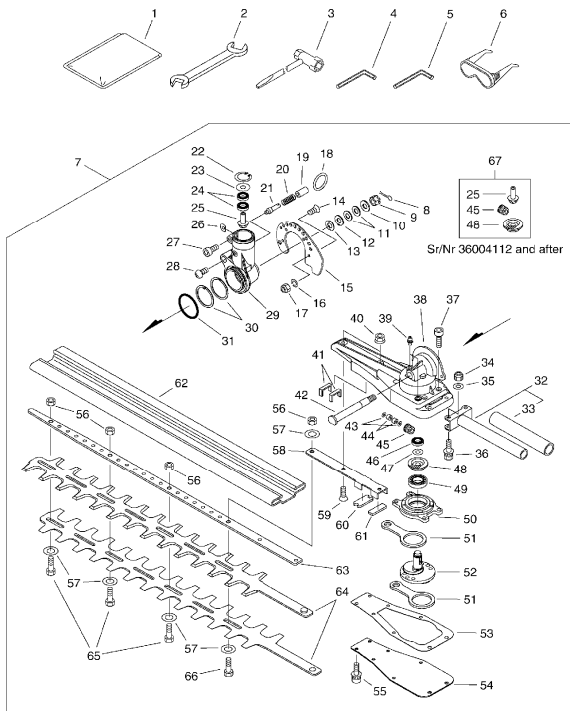
| KEY | LV | PART NUMBER  | Q'TY | DESCRIPTION       | REMARKS             | NOTE1               | NOTE2 |
|-----|----|--------------|------|-------------------|---------------------|---------------------|-------|
| 1   |    | 898510-39130 | 1    | BAG, TOOL         |                     |                     |       |
| 2   |    | 895112-00330 | 1    | SPANNER 8*10      |                     |                     |       |
| 3   |    | X602-000020  | 1    | TOOL,WRENCH       | 17*19 L200          |                     |       |
| 4   |    | 895612-03430 | 1    | L-WRENCH (3MM)    |                     |                     |       |
| 5   |    | 895610-00130 | 1    | L-WRENCH (4MM)    |                     |                     |       |
| 6   |    | P021-002861  | 1    | GOGGLES           |                     |                     |       |
| 7   |    | P021-010460  | 1    | CASE ASY, GEAR    |                     | Sus. by P021-010464 |       |
| 7   |    | P021-010461  | 1    | CASE ASY, GEAR    | 90092               | Sus. by P021-010464 |       |
| 7   |    | P021-010462  | 1    | CASE ASY, GEAR    | 90092               | Sus. by P021-010464 |       |
| 7   |    | P021-010463  | 1    | CASE ASY, GEAR    | 90092               | Sus. by P021-010464 |       |
| 7   |    | P021-010464  | 1    | CASE ASY, GEAR    |                     |                     |       |
| 8   | +  | 93000-16180  | 1    | PIN SPLIT         | P-1.6*18            |                     |       |
| 9   | +  | 900529-00008 | 1    | NUT, SLOTT 8      |                     |                     |       |
| 10  | +  | V306-000140  | 1    | WASHER,CIRCULAR 8 |                     |                     |       |
| 11  | +  | V347-000010  | 2    | WASHER,CONICAL    |                     |                     |       |
| 12  | +  | V340-000110  | 1    | WASHER            |                     |                     |       |
| 13  | +  | V110-000040  | 1    | GASKET,GEAR CASE  | CIRCULAR 17MM<br>OD |                     |       |
| 14  | +  | 900212-04012 | 2    | SCREW 4*12        | +SF4*12             |                     |       |
| 15  | +  | C465-000000  | 1    | RESETTER,LATCH    | HCA 180DG SPAN      | Sus. by C465-000010 |       |
| 15  | +  | C465-000010  | 1    | RESETTER, LATCH   |                     |                     |       |

## 6. Gear Case, Cutter, Tools



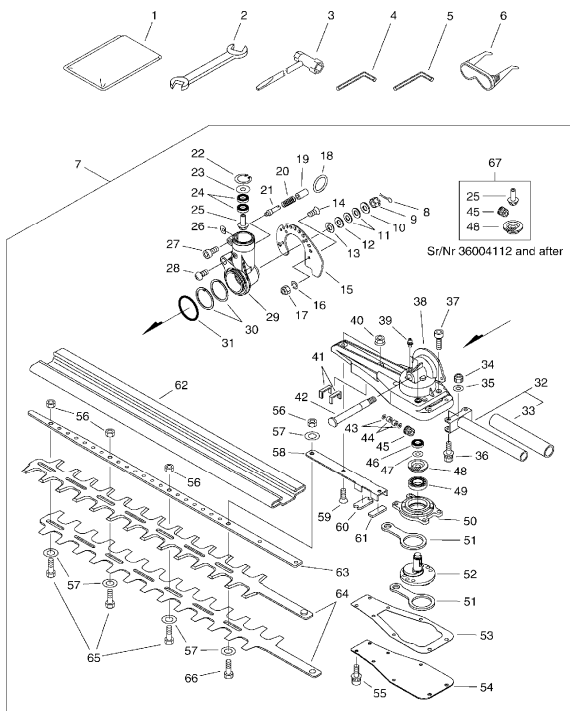
| KEY | LV | PART NUMBER  | Q'TY | DESCRIPTION        | REMARKS   | NOTE1                                  | NOTE2 |
|-----|----|--------------|------|--------------------|-----------|--|-------|
| 16  | +  | 900605-00004 | 2    | WASHER, SPRING 4   | 4         |  |       |
| 17  | +  | 900560-00004 | 2    | LOCKNUT            | 4         |  |       |
| 18  | +  | V583-000050  | 1    | RING               |           |  |       |
| 19  | +  | V355-000310  | 1    | COLLAR,8           |           |  |       |
| 20  | +  | V450-000420  | 1    | SPRING,COMPRESSION |           |  |       |
| 21  | +  | V642-000020  | 1    | PIN,LINCH          |           |  |       |
| 22  | +  | 900702-00022 | 1    | CIRCLIP 22         | CR-22     |  |       |
| 23  | +  | V583-000060  | 1    | RING               |           |  |       |
| 24  | +  | 900859-06900 | 2    | BEARING, BALL 6900 | 6900      |  |       |
| 25  | +  | V651-000150  | 1    | GEAR,BEVEL         |           | Sr/Nr 36004111<br>and before           |       |
| 67  | +  | P021-010690  | 1    | BEVEL GEAR SET     |           | Sr/Nr 36004112<br>and after            |       |
| 25  | ++ | V651-000240  | 1    | GEAR,BEVEL         | 12 TEETH  | Can be used on the<br>P021-010690 only |       |
| 45  | ++ | V651-000250  | 1    | GEAR,BEVEL         | 25 TEETH  | Can be used on the<br>P021-010690 only |       |
| 48  | ++ | V651-000260  | 1    | GEAR,BEVEL         | 35 TEETH  | Can be used on the<br>P021-010690 only |       |
| 26  | +  | V340-000170  | 1    | WASHER             |           |  |       |
| 27  | +  | 900162-05025 | 1    | BOLT, H.S. 5*25    | 5*25 W,SW |  |       |
| 28  | +  | 900242-05012 | 1    | SCREW 5*12         | 5*12      |  |       |

## 6. Gear Case, Cutter, Tools



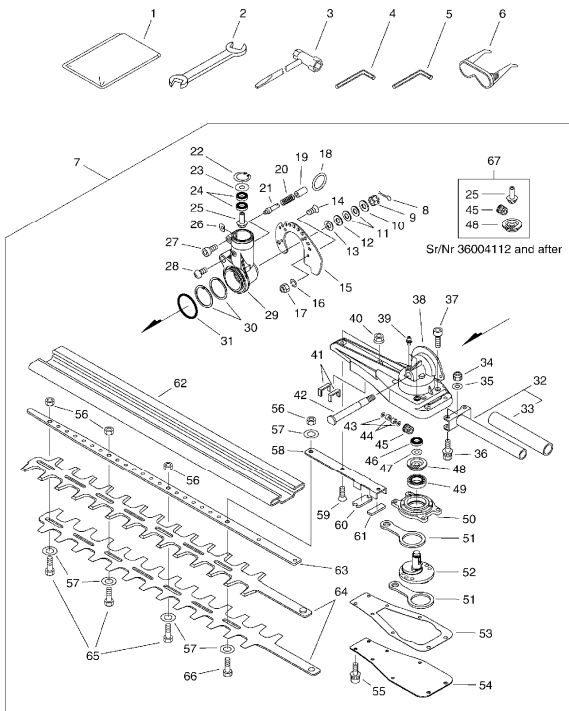
| KEY | LV | PART NUMBER  | Q'TY | DESCRIPTION        | REMARKS       | NOTE1                     | NOTE2 |
|-----|----|--------------|------|--------------------|---------------|---------------------------|-------|
| 29  | +  | C531-000291  | 1    | CASE,GEAR          | SHAFT SIDE    | Sus. by C531-000292       |       |
| 29  | +  | C531-000292  | 1    | CASE,GEAR          |               |                           |       |
| 30  | +  | V340-000120  | 2    | WASHER             |               |                           |       |
| 31  | +  | 900724-00032 | 1    | O-RING             | S-32          |                           |       |
| 32  | +  | 351305-12360 | 1    | HANDLE             |               |                           |       |
| 33  | ++ | 351315-12360 | 1    | GRIP, HANDLE       | 19*135        |                           |       |
| 34  | +  | 900560-00005 | 2    | NUT, LOCK 5        | 5             |                           |       |
| 35  | +  | 900600-00005 | 2    | WASHER 5           | 5             |                           |       |
| 36  | +  | 900142-05028 | 2    | BOLT 5*28 (W/W,SW) | 5*28          |                           |       |
| 37  | +  | 900105-05008 | 4    | BOLT, H.S. 5*8     | 5*8           |                           |       |
| 38  | +  | C531-000301  | 1    | CASE,GEAR          | DRIVEN SIDE   | Sus. by C531-000302       |       |
| 38  | +  | C531-000302  | 1    | CASE,GEAR          | DRIVEN SIDE   |                           |       |
| 39  | +  | 880110-10860 | 2    | NIPPLE, GREASE     |               |                           |       |
| 40  | +  | 900516-00005 | 2    | NUT, FRANGE 5      | 5             |                           |       |
| 41  | +  | V541-000130  | 2    | SEAL               |               |                           |       |
| 42  | +  | C534-000260  | 1    | SHAFT,GEAR         |               |                           |       |
| 43  | +  | V307-000150  | 2    | WASHER,CIRCULAR 10 | 10.2*15.5*T=1 |                           |       |
| 44  | +  | V555-000040  | 2    | BEARING,NEEDLE 10  |               |                           |       |
| 45  | +  | V651-000140  | 1    | GEAR,BEVEL         |               | Sr/Nr 36004111 and before |       |
| 46  | +  | 900855-06900 | 1    | BEARING, BALL 6900 | 6900          |                           |       |
| 47  | +  | V583-000040  | 1    | RING               |               |                           |       |

## 6. Gear Case, Cutter, Tools



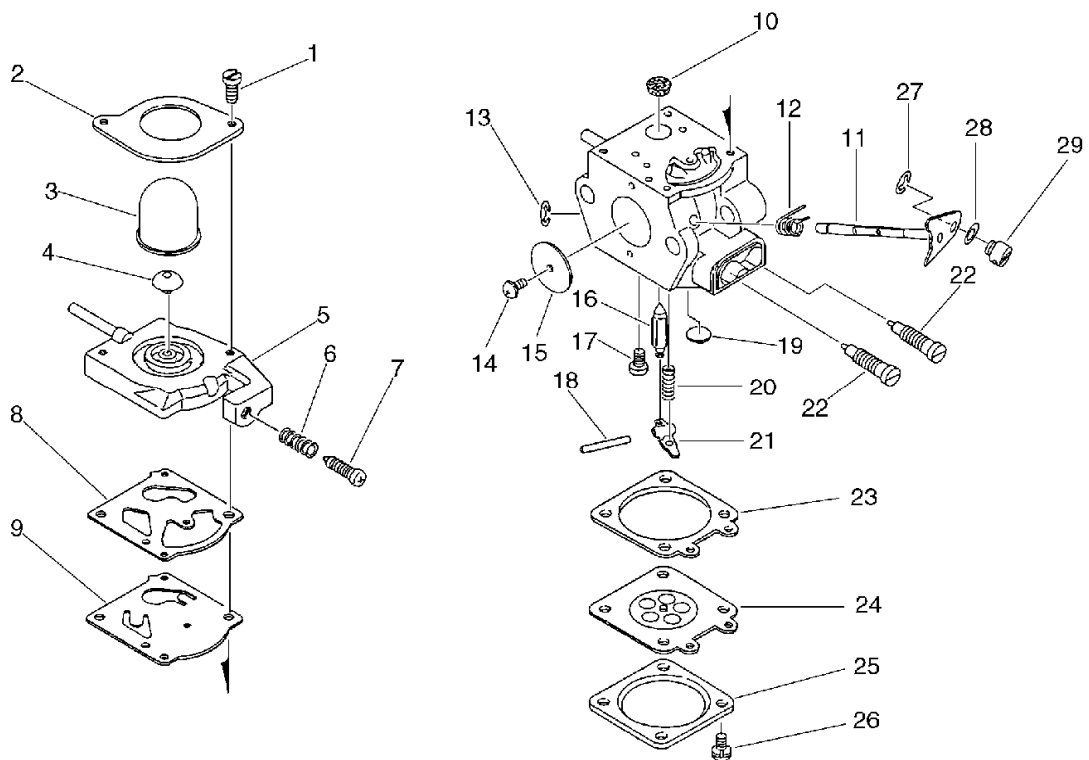
| KEY | LV | PART NUMBER  | Q'TY | DESCRIPTION        | REMARKS          | NOTE1                | NOTE2 |
|-----|----|--------------|------|--------------------|------------------|----------------------|-------|
|     |    |              |      |                    |                  | Sr/Nr 36004111       |       |
| 48  | +  | V651-000160  | 1    | GEAR,BEVEL         |                  | and before           |       |
| 49  | +  | 900800-06001 | 1    | BEARING, BALL 6001 | 6001             |                      |       |
| 50  | +  | C503-000071  | 1    | HOLDER,BEARING     | 28 BEARING SEAT  | Sus. by C503-000072  |       |
| 50  | +  | C503-000072  | 1    | HOLDER,BEARING     | 28 BEARING SEAT  |                      |       |
| 51  | +  | C532-000120  | 2    | ROD, CONNECTING    |                  | Sus. by C532-000140  |       |
| 51  | +  | C532-000140  | 2    | ROD, CONNECTING    | YAMASAKI         |                      |       |
| 52  | +  | C533-000040  | 1    | CAM                |                  | Sus. by C533-000041  |       |
| 52  | +  | C533-000041  | 1    | CAM                | HCA              |                      |       |
| 53  | +  | V110-000050  | 1    | GASKET, GEAR CASE  |                  | Sus. by V110-000051  |       |
| 53  | +  | V110-000051  | 1    | GASKET, GEAR CASE  | HCA GEARCASE LID |                      |       |
| 54  | +  | C539-000010  | 1    | LID, GEARCASE      | HCA-260 G.C.     |                      |       |
| 55  | +  | 900162-04012 | 6    | BOLT, H.S. 4*12    | 4*12 W,SW        | Sus. by 900162-04014 |       |
| 56  | +  | 433022-06460 | 4    | NUT                |                  |                      |       |
| 57  | +  | 699118-04560 | 5    | WASHER             |                  |                      |       |
| 58  | +  | C538-000120  | 1    | GUIDE, CUTTER      |                  |                      |       |
| 59  | +  | 900212-05020 | 2    | SCREW 5*20         | +SF5*20          |                      |       |
| 60  | +  | C538-000110  | 1    | GUIDE, CUTTER      |                  |                      |       |
| 61  | +  | C538-000100  | 1    | GUIDE, CUTTER      |                  |                      |       |

## 6. Gear Case, Cutter, Tools



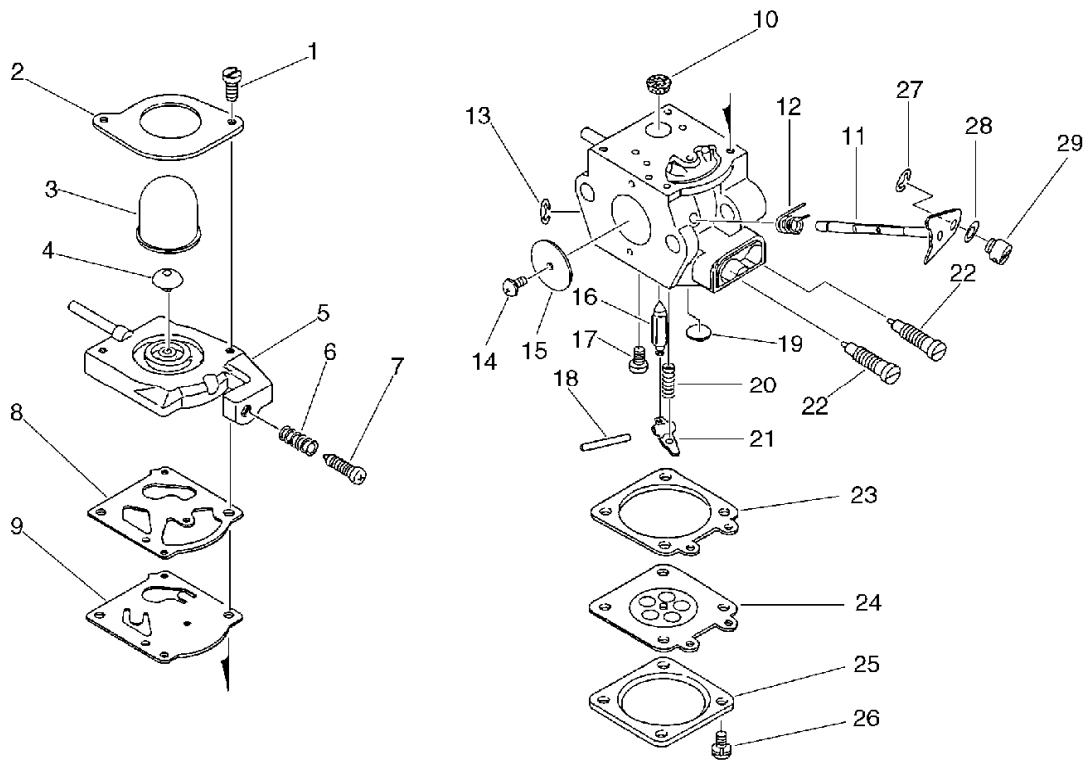
| KEY | LV | PART NUMBER  | Q'TY | DESCRIPTION     | REMARKS | NOTE1               | NOTE2 |
|-----|----|--------------|------|-----------------|---------|---------------------|-------|
| 62  | +  | 898523-12360 | 1    | SCABBARD, BLADE |         | Sus. by X495-000060 |       |
| 62  | +  | X495-000060  | 1    | SCABBARD, BLADE | 19.5    |                     |       |
| 63  | +  | X425-000170  | 1    | SUPPORT, CUTTER |         | Sus. by X425-000220 |       |
| 63  | +  | X425-000220  | 1    | SUPPORT, CUTTER | T=3.0   |                     |       |
| 64  | +  | X411-000260  | 2    | CUTTER          |         | Sus. by X411-000350 |       |
| 64  | +  | X411-000350  | 2    | CUTTER          | L= 570  |                     |       |
| 65  | +  | 699115-04660 | 3    | BOLT 6          | 6*18L   |                     |       |
| 66  | +  | 699115-07760 | 1    | BOLT, CUTTER    |         |                     |       |

## 7. Carburetor

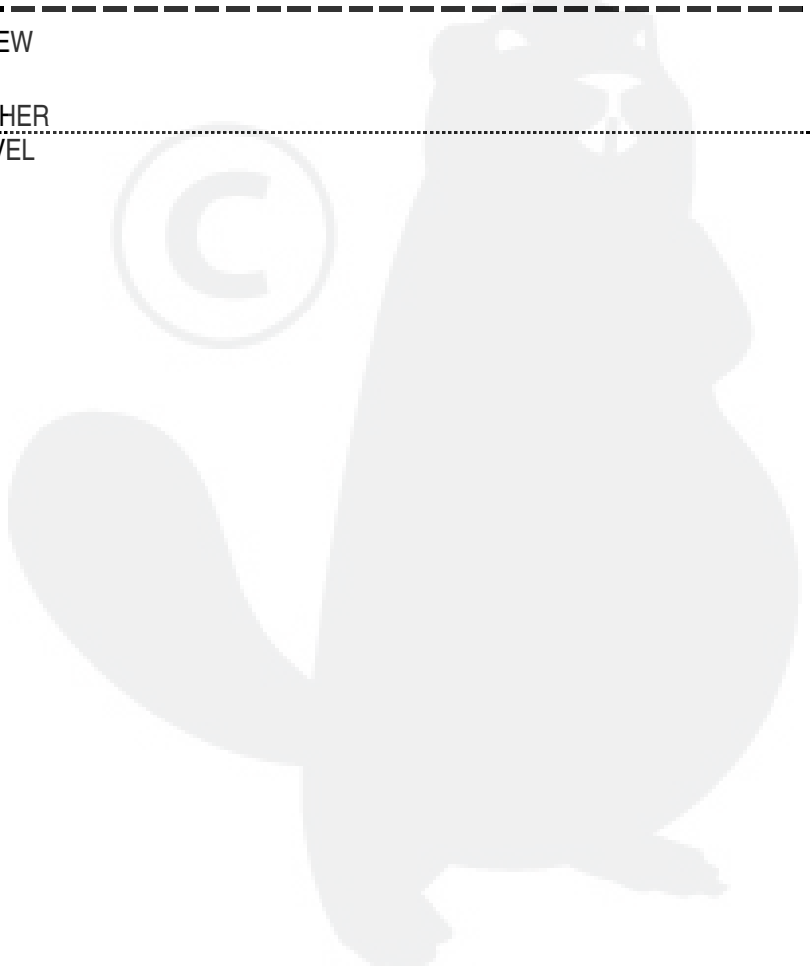


| KEY | LV | PART NUMBER  | Q'TY | DESCRIPTION          | REMARKS | NOTE1 | NOTE2 |
|-----|----|--------------|------|----------------------|---------|-------|-------|
|     |    | 123000-52133 | 1    | CARBURETOR WT-424C   | WT-424C |       |       |
| 1   | +  | 123110-43130 | 2    | SCREW                |         |       |       |
| 2   | +  | 123142-09560 | 1    | COVER, PRIMER PUMP   |         |       |       |
| 3   | +  | 123181-09560 | 1    | PUMP, PRIMER         |         |       |       |
| 4   | +  | 123171-35630 | 1    | VALVE, CHECK         |         |       |       |
| 5   | +  | 123124-43230 | 1    | COVER, FUEL PUMP     |         |       |       |
| 6   | +  | 123133-04260 | 1    | SPRING, IDLE ADJUST  |         |       |       |
| 7   | +  | 123134-04260 | 1    | SCREW, IDLE ADJUST   |         |       |       |
| 8   | +  | 123125-09560 | 1    | GASKET, FUEL PUMP    |         |       |       |
| 9   | +  | 123112-09560 | 1    | DIAPHRAGM, FUEL PUMP |         |       |       |
| 10  | +  | 123126-10631 | 1    | SCREEN, INLET        |         |       |       |
| 11  | +  | 123117-52130 | 1    | SHAFT, THROTTLE      |         |       |       |
| 12  | +  | 123113-52130 | 1    | SPRING, THE.RTN      |         |       |       |
| 13  | +  | 123127-15030 | 1    | RING                 |         |       |       |
| 14  | +  | 123114-38830 | 1    | SCREW                |         |       |       |
| 15  | +  | 123116-53130 | 1    | VALVE, THROTTLE      |         |       |       |
| 16  | +  | 123137-19830 | 1    | VALVE, INLET NEEDLE  |         |       |       |
| 17  | +  | 123139-03930 | 1    | SCREW, M. LEVER PIN  |         |       |       |
| 18  | +  | 123138-03930 | 1    | PIN, METERING LEVER  |         |       |       |
| 19  | +  | 123146-10631 | 1    | PLUG, WELCH          |         |       |       |
| 20  | +  | 123122-39330 | 1    | SPRING, METER. LEVER |         |       |       |
| 21  | +  | 123123-03930 | 1    | LEVER, METERING      |         |       |       |
| 22  | +  | 123120-52131 | 2    | NEEDLE, HIGH SPEED   |         |       |       |
| 23  | +  | 123140-03930 | 1    | GASKET, M. DIAPHRAGM |         |       |       |
| 24  | +  | 123141-03930 | 1    | DIAPHRAGM, METERING  |         |       |       |
| 25  | +  | 123142-03930 | 1    | COVER, M. DIAPHRAGM  |         |       |       |

7. Carburetor



| KEY | LV | PART NUMBER  | Q'TY | DESCRIPTION | REMARKS | NOTE1 | NOTE2 |
|-----|----|--------------|------|-------------|---------|-------|-------|
| 26  | +  | 123130-02960 | 4    | SCREW       |         |       |       |
| 27  | +  | 123173-07930 | 1    | CLIP        |         |       |       |
| 28  | +  | 123149-26030 | 1    | WASHER      |         |       |       |
| 29  | +  | 123172-26030 | 1    | SWIVEL      |         |       |       |





**Index**

| <b>Patrs Number</b> | <b>Key No.</b> | <b>Patrs Number</b> | <b>Key No.</b> | <b>Patrs Number</b> | <b>Key No.</b> |
|---------------------|----------------|---------------------|----------------|---------------------|----------------|
| 100000-09563        | 1 - 4          | 130301-51730        | 3 - 8          | 178810-05230        | 3 - 9          |
| 100011-09560        | 1 - 5          | 130302-52131        | 3 - 16         | 301016-52730        | 5 - 20         |
| 100013-11520        | 1 - 6          | 130310-51830        | 3 - 15         | 301200-29430        | 5 - 17         |
| 100014-11520        | 1 - 8          | 130406-52131        | 3 - 17         | 301207-08930        | 5 - 23         |
| 100015-04630        | 1 - 7          | 131004-08960        | 4 - 1          | 305110-42030        | 4 - 7          |
| 100204-52132        | 1 - 11         | 131005-46831        | 4 - 4          | 351012-54330        | 5 - 27         |
| 100212-42031        | 1 - 12         | 131016-55830        | 4 - 2          | 351213-52130        | 5 - 19         |
| 100215-03930        | 1 - 13         | 131051-52430        | 4 - 3          | 351305-12360        | 6 - 32         |
| 100215-03930        | 1 - 13         | 131205-07320        | 4 - 15         | 351315-12360        | 6 - 33         |
| 100242-42030        | 1 - 15         | 132010-56330        | 4 - 12         | 433022-06460        | 6 - 56         |
| 101010-44332        | 1 - 3          | 132011-03360        | 4 - 14         | 610013-44730        | 5 - 26         |
| 101011-08961        | 1 - 1          | 132012-12360        | 4 - 13         | 610217-44730        | 5 - 13         |
| 101503-52131        | 1 - 25         | 145642-04930        | 3 - 27         | 610246-44730        | 5 - 14         |
| 101514-48930        | 1 - 19         | 145818-52130        | 3 - 21         | 610272-52130        | 5 - 28         |
| 123000-52133        | 3 - 6          | 145862-40630        | 3 - 24         | 610903-55230        | 1 - 29         |
| 123000-52133        | 7 -            | 145866-42031        | 3 - 23         | 610910-55230        | 1 - 28         |
| 123110-43130        | 7 - 1          | 145876-42030        | 3 - 22         | 610922-27432        | 1 - 31         |
| 123112-09560        | 7 - 9          | 156112-40630        | 2 - 6          | 610923-55230        | 1 - 30         |
| 123113-52130        | 7 - 12         | 156626-52630        | 2 - 7          | 699012-03330        | 5 - 21         |
| 123114-38830        | 7 - 14         | 156801-44731        | 2 - 9          | 699115-04660        | 6 - 65         |
| 123116-53130        | 7 - 15         | 159010-10230        | 2 - 3          | 699115-07760        | 6 - 66         |
| 123117-52130        | 7 - 11         | 159011-03432        | 2 - 4          | 699118-04560        | 6 - 57         |
| 123120-52131        | 7 - 22         | 159012-03433        | 2 - 5          | 880110-10860        | 6 - 39         |
| 123122-39330        | 7 - 20         | 159912-54130        | 1 - 18         | 890118-49130        | 2 - 21         |
| 123123-03930        | 7 - 21         | 162010-52830        | 2 - 1          | 890121-47530        | 3 - 18         |
| 123124-43230        | 7 - 5          | 163401-55631        | 5 - 1          | 890152-04930        | 5 - 25         |
| 123125-09560        | 7 - 8          | 175000-56830        | 2 - 8          | 890157-39130        | 5 - 2          |
| 123126-10631        | 7 - 10         | 175005-48931        | 1 - 21         | 890617-12361        | 5 - 24         |
| 123127-15030        | 7 - 13         | 177200-42033        | 2 - 13         | 895112-00330        | 6 - 2          |
| 123130-02960        | 7 - 26         | 177202-44331        | 2 - 10         | 895610-00130        | 6 - 5          |
| 123133-04260        | 7 - 6          | 177215-44430        | 2 - 15         | 895612-03430        | 6 - 4          |
| 123134-04260        | 7 - 7          | 177218-44330        | 2 - 12         | 898510-39130        | 6 - 1          |
| 123137-19830        | 7 - 16         | 177220-42030        | 2 - 16         | 898523-12360        | 6 - 62         |
| 123138-03930        | 7 - 18         | 177226-10120        | 2 - 17         | 900100-05018        | 5 - 22         |
| 123139-03930        | 7 - 17         | 177227-42030        | 2 - 18         | 900105-05008        | 6 - 37         |
| 123140-03930        | 7 - 23         | 177228-06530        | 2 - 19         | 900105-05055        | 3 - 26         |
| 123141-03930        | 7 - 24         | 177234-42030        | 2 - 11         | 900142-05020        | 5 - 12         |
| 123142-03930        | 7 - 25         | 177236-44330        | 2 - 14         | 900142-05025        | 1 - 32         |
| 123142-09560        | 7 - 2          | 178001-56730        | 5 - 31         | 900142-05028        | 6 - 36         |
| 123146-10631        | 7 - 19         | 178003-52130        | 5 - 6          | 900162-04012        | 6 - 55         |
| 123149-26030        | 7 - 28         | 178010-52130        | 5 - 15         | 900162-04022        | 2 - 2          |
| 123171-35630        | 7 - 4          | 178012-52730        | 5 - 5          | 900162-05022        | 1 - 2          |
| 123172-26030        | 7 - 29         | 178013-52630        | 5 - 3          | 900162-05025        | 6 - 27         |
| 123173-07930        | 7 - 27         | 178043-42230        | 5 - 16         | 900162-05028        | 1 - 16         |
| 123181-09560        | 7 - 3          | 178090-52632        | 5 - 4          | 900163-04016        | 1 - 20         |
| 129011-52131        | 3 - 13         | 178127-50330        | 5 - 32         | 900163-04016        | 1 - 26         |
| 130010-05960        | 3 - 5          | 178510-51730        | 3 - 7          | 900163-04016        | 2 - 20         |
| 130010-42032        | 3 - 1          | 178515-05060        | 3 - 11         | 900212-04012        | 6 - 14         |
| 130017-42031        | 3 - 3          | 178516-00830        | 3 - 10         | 900212-05020        | 6 - 59         |

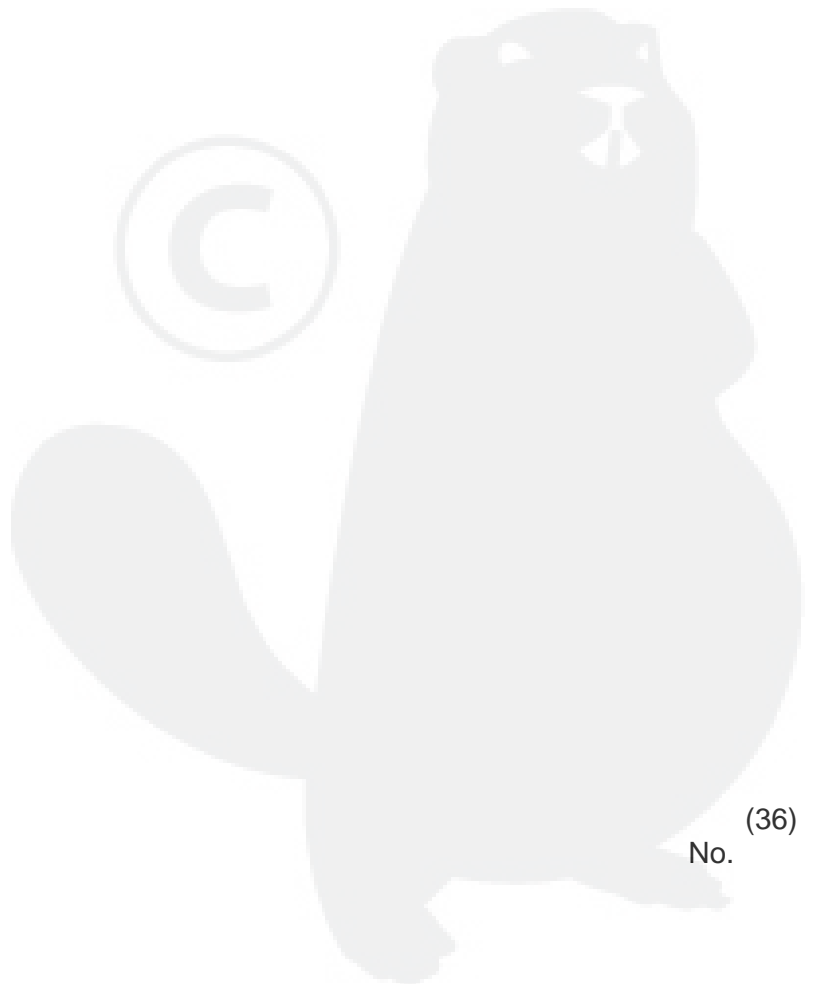
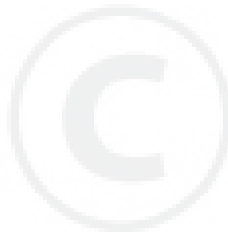
**Index**

| <b>Patrs Number</b> | <b>Key No.</b> | <b>Patrs Number</b> | <b>Key No.</b> | <b>Patrs Number</b> | <b>Key No.</b> |
|---------------------|----------------|---------------------|----------------|---------------------|----------------|
| 900238-05016        | 1 - 17         | C533-000040         | 6 - 52         | X602-000020         | 6 - 3          |
| 900238-05016        | 4 - 6          | C533-000041         | 6 - 52         |                     |                |
| 900238-05020        | 3 - 4          | C534-000260         | 6 - 42         |                     |                |
| 900242-04010        | 3 - 20         | C538-000100         | 6 - 61         |                     |                |
| 900242-05012        | 6 - 28         | C538-000110         | 6 - 60         |                     |                |
| 900242-05014        | 5 - 18         | C538-000120         | 6 - 58         |                     |                |
| 900242-05025        | 5 - 9          | C539-000010         | 6 - 54         |                     |                |
| 900242-05028        | 5 - 29         | P021-002861         | 6 - 6          |                     |                |
| 900242-05035        | 5 - 8          | P021-008940         | 3 - 19         |                     |                |
| 900242-05057        | 3 - 14         | P021-010460         | 6 - 7          |                     |                |
| 900500-00005        | 3 - 2          | P021-010461         | 6 - 7          |                     |                |
| 900500-00005        | 5 - 7          | P021-010462         | 6 - 7          |                     |                |
| 900500-00005        | 5 - 7          | P021-010463         | 6 - 7          |                     |                |
| 900500-00005        | 5 - 7          | P021-010464         | 6 - 7          |                     |                |
| 900502-00006        | 5 - 30         | P021-010690         | 6 - 67         |                     |                |
| 900516-00005        | 6 - 40         | V104-000160         | 3 - 25         |                     |                |
| 900529-00008        | 6 - 9          | V110-000040         | 6 - 13         |                     |                |
| 900560-00004        | 6 - 17         | V110-000050         | 6 - 53         |                     |                |
| 900560-00005        | 6 - 34         | V110-000051         | 6 - 53         |                     |                |
| 900600-00005        | 3 - 12         | V137-000030         | 4 - 10         |                     |                |
| 900600-00005        | 6 - 35         | V306-000140         | 6 - 10         |                     |                |
| 900603-00005        | 4 - 5          | V307-000150         | 6 - 43         |                     |                |
| 900605-00004        | 6 - 16         | V340-000110         | 6 - 12         |                     |                |
| 900701-00012        | 1 - 24         | V340-000120         | 6 - 30         |                     |                |
| 900702-00022        | 6 - 22         | V340-000170         | 6 - 26         |                     |                |
| 900702-00028        | 1 - 22         | V347-000010         | 6 - 11         |                     |                |
| 900724-00032        | 6 - 31         | V355-000310         | 6 - 19         |                     |                |
| 900800-06001        | 6 - 49         | V450-000420         | 6 - 20         |                     |                |
| 900807-96001        | 1 - 23         | V471-001200         | 4 - 9          |                     |                |
| 900855-06900        | 6 - 46         | V471-001200         | 4 - 11         |                     |                |
| 900859-06900        | 6 - 24         | V541-000130         | 6 - 41         |                     |                |
| 93000-16180         | 6 - 8          | V553-000010         | 1 - 10         |                     |                |
| 94035-36201         | 1 - 14         | V555-000040         | 6 - 44         |                     |                |
| A011-000101         | 1 - 9          | V583-000040         | 6 - 47         |                     |                |
| A320-000251         | 3 - 28         | V583-000050         | 6 - 18         |                     |                |
| A356-000030         | 4 - 8          | V583-000060         | 6 - 23         |                     |                |
| C050-000440         | 5 - 10         | V642-000020         | 6 - 21         |                     |                |
| C062-000100         | 5 - 33         | V651-000140         | 6 - 45         |                     |                |
| C440-000020         | 5 - 11         | V651-000150         | 6 - 25         |                     |                |
| C465-000000         | 6 - 15         | V651-000160         | 6 - 48         |                     |                |
| C465-000010         | 6 - 15         | V651-000240         | 6 - 25         |                     |                |
| C503-000071         | 6 - 50         | V651-000250         | 6 - 45         |                     |                |
| C503-000072         | 6 - 50         | V651-000260         | 6 - 48         |                     |                |
| C531-000291         | 6 - 29         | X411-000260         | 6 - 64         |                     |                |
| C531-000292         | 6 - 29         | X411-000350         | 6 - 64         |                     |                |
| C531-000301         | 6 - 38         | X425-000170         | 6 - 63         |                     |                |
| C531-000302         | 6 - 38         | X425-000220         | 6 - 63         |                     |                |
| C532-000120         | 6 - 51         | X495-000060         | 6 - 62         |                     |                |
| C532-000140         | 6 - 51         | X503-006300         | 1 - 27         |                     |                |

# YAMABIKO CORPORATION

7-2 SUEHIROCHO 1-CHOME, OHME, TOKYO 198-8760, JAPAN  
PHONE: 81-428-32-6118. FAX: 81-428-32-6145.

**ECHO**<sup>®</sup>



(36)  
No.