



PARTS CATALOG

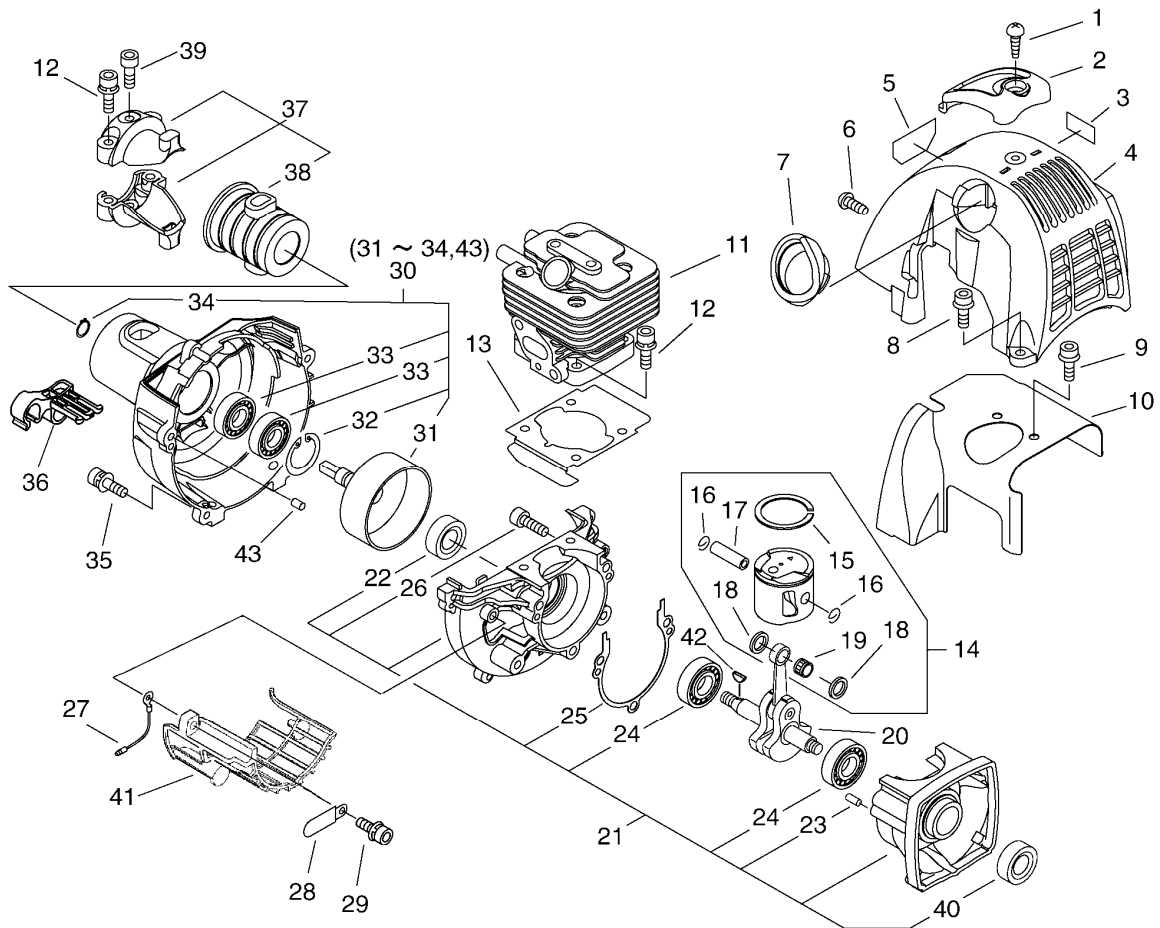
SHAFT HEDGE TRIMMER

HCA-265ES(36)

36008057 -

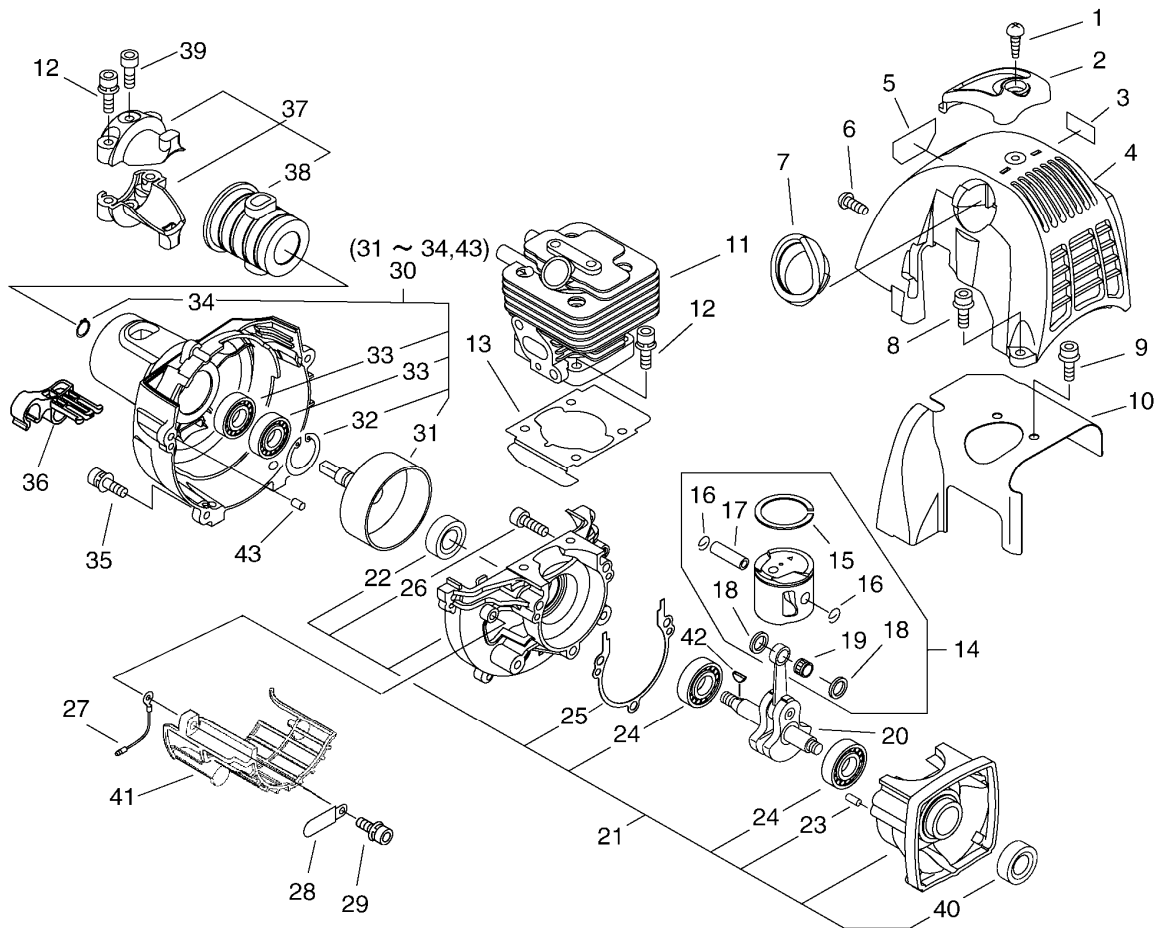
P014-000810-10Hb

1. CYLINDER, CRANKCASE, PISTON



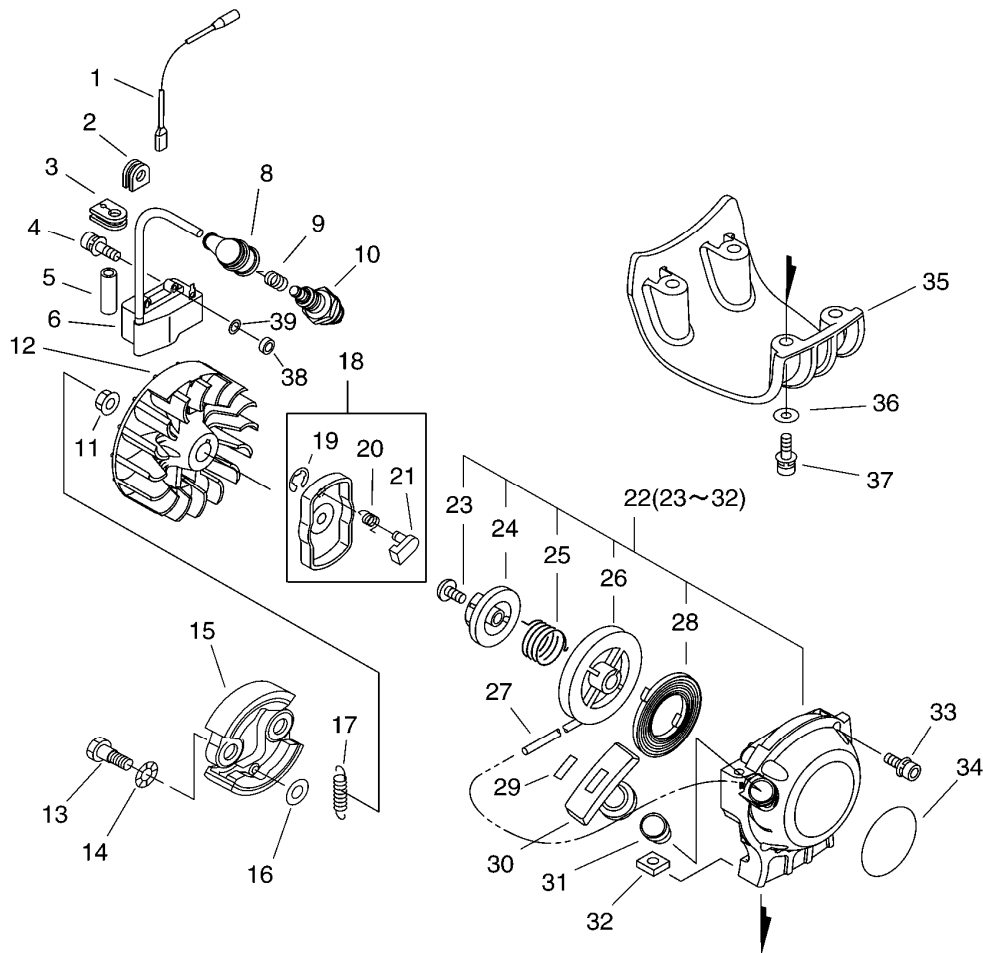
KEY	LV	PART NUMBER	Q'TY	DESCRIPTION	REMARKS	NOTE1	NOTE2
1		900256-05016	1	SCREW, TAPPING	5*16		
2		A162-000100	1	GUARD, TOP			
3		X505-002310	1	LABEL, CAUTION	HOT CAUTION		
4		A160-000780	1	COVER, CYLINDER			
5		X547-000930	1	LABEL, ECHO	ECHO+HCA-265ES		
6		91140-05012	1	BOLT	M5*12		
7		A162-000080	1	GUARD, TOP			
8		900106-05014	1	BOLT, H.S. 5*14	5*14		
9		900106-05008	2	BOLT, H.S. 5*8	5*8		
10		A160-000691	1	COVER, CYLINDER			
11		A130-000761	1	CYLINDER			
12		900162-05025	6	BOLT, H.S. 5*25	5*25 W, SW		
13		V100-000210	1	GASKET, CYL	T0.5 38.1		
14		P021-009771	1	PISTON KIT			
15	+	A101-000170	1	RING, PISTON	34*1.5*1.5		
16	+	100015-03931	2	CIRCLIP, PISTON PIN			
17	+	100013-35430	1	PIN, PISTON	6*9*27.8		
18	+	100014-53630	2	SPACER, PISTON PIN			
19	+	100012-16131	1	BEARING, NEEDLE			
20		A011-000434	1	CRANKSHAFT, ASY			
21		P021-010801	1	CRANKCASE KIT			
22	+	100212-42031	1	OILSEAL	ISCD 12*22*4.5		
40	+	V505-000050	1	SEAL, OIL 12			
40	+	V505-000050	1	SEAL, OIL 12			

1. CYLINDER, CRANKCASE, PISTON



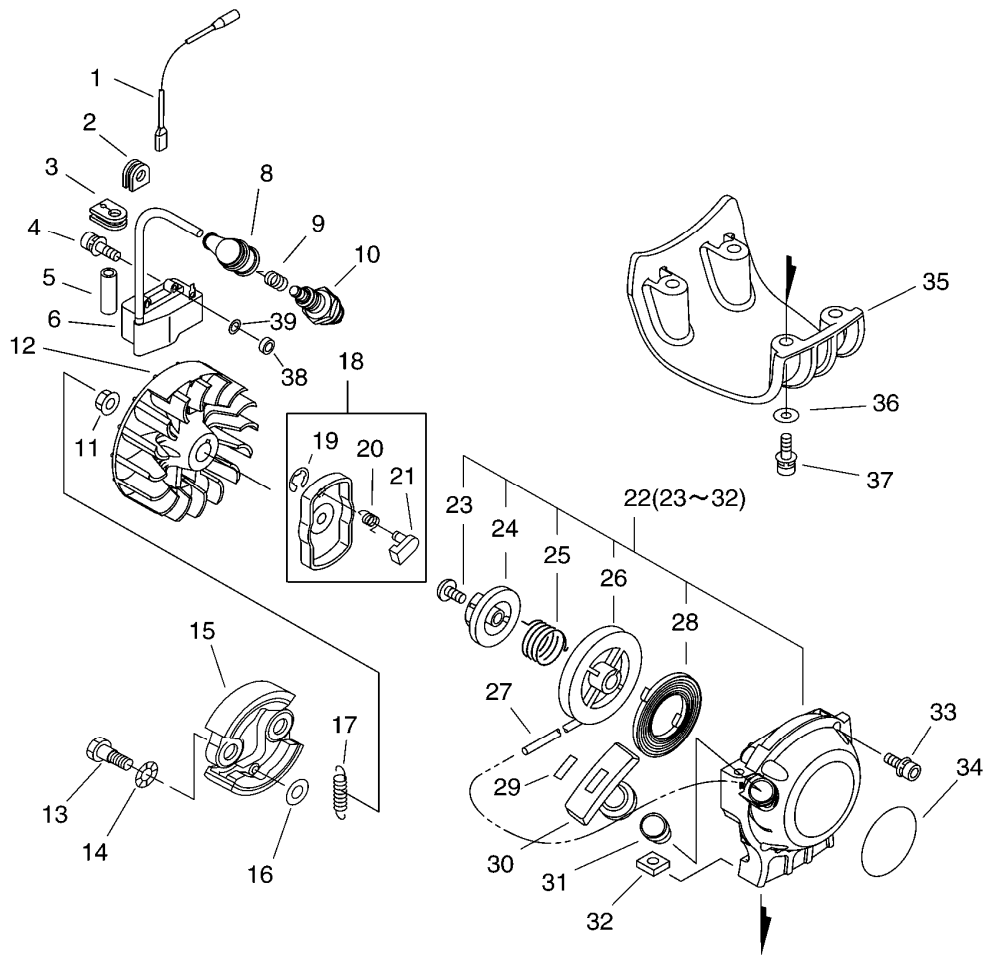
KEY	LV	PART NUMBER	Q'TY	DESCRIPTION	REMARKS	NOTE1	NOTE2
23	+	100215-03930	2	PIN, DOWEL			
24	+	94035-36201	2	BEARING BALL	6201X3JR2C3		
25	+	100242-42030	1	GASKET, CRANKCASE			
26	+	900162-05028	3	BOLT, H.S. 5*28	5*28 W,SW		
27		156635-43130	1	LEAD, GROUND			
28		159116-21231	1	CLAMP			
28		159116-21231	1	CLAMP			
29		900162-05016	1	BOLT, H.S. 5*16	5*16 W,SW		
30		P021-009790	1	COVER ASY, FAN			
31	+	A556-000390	1	DRUM, CLUTCH			
32	+	900702-00028	1	CIRCLIP 28	CR-28		
33	+	900807-06001	2	BEARING, BALL 6001	6001V(LB)		
34	+	900701-00012	1	CIRCLIP 12	CS-12		
43	+	V622-000020	2	PIN, STRAIGHT 4	4*7.8		
35		900163-04016	4	BOLT HSH			
36		V491-000180	1	CLIP			
37		P021-009380	1	FIXTURE, MAIN PIPE			
38	+	V420-001081	1	CUSHION			
39		900105-05012	1	BOLT, H.S. 5*12	5*12		
41		A127-000160	1	COVER, DUST			
42		100142-12330	1	KEY, WOODRUFF			

2. STARTER, MAGNETO, CLUTCH



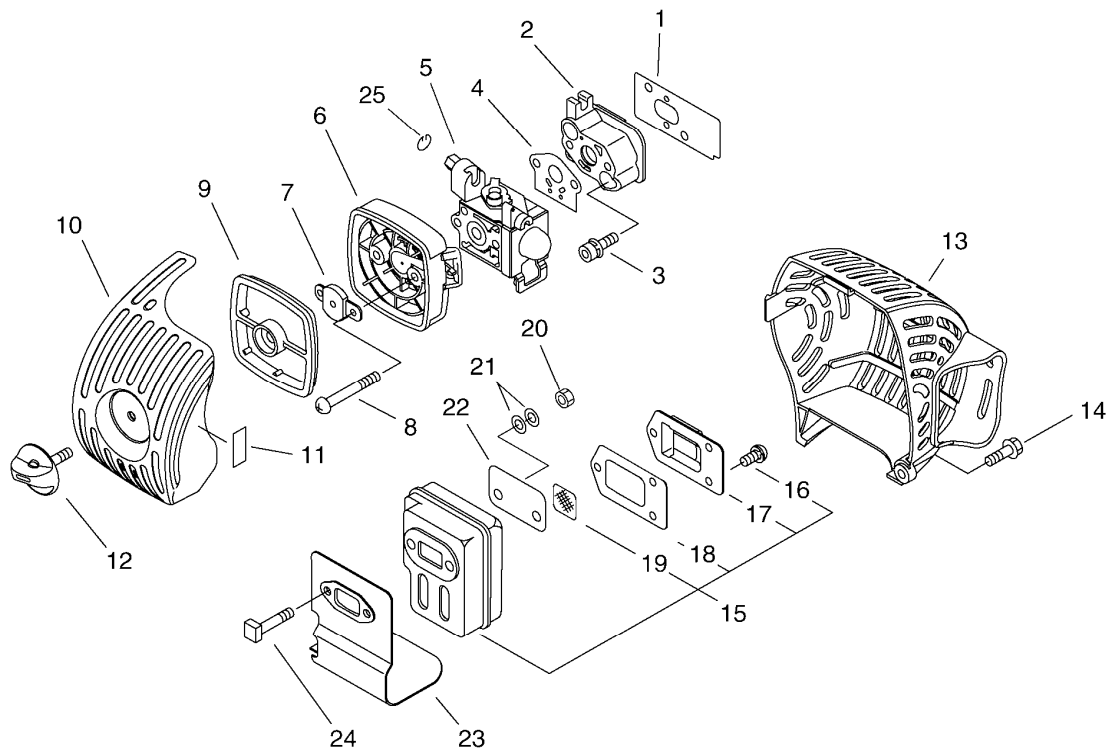
KEY	LV	PART NUMBER	Q'TY	DESCRIPTION	REMARKS	NOTE1	NOTE2
1		162010-04561	1	LEAD, GROUND	210L		
2		156110-04920	1	BUSHING			
3		V135-000030	1	GROMMET, HT CORD			
4		V202-000130	2	BOLT, 4	CBF-4*20		
5		V475-003380	1	TUBE			
6		A411-000250	1	COIL, IGNITION	ID#C10048		
6		A411-000251	1	COIL, IGNITION	ID#C10048		
8		A427-000013	1	CAP, SPARK PLUG			
9		A426-000010	1	TERMINAL, SPARKPLUG			
10		A425-000000	1	SPARKPLUG	BPMR8Y		
11		900515-00008	1	NUT, FLANGE 8	8		
12		A409-000310	1	ROTOR, MAGNETO	ID:C10744G		
13		175046-56030	2	SHAFT, CLUTCH			
14		175049-56030	2	WASHER	8.5*16*0.5		
15		A553-000010	2	ARM, CLUTCH			
16		175048-05530	2	WASHER (I)	6.2*19*1.0		
17		V451-000400	1	SPRING, TENSION			
18		A052-000180	1	PULLEY, ASM STARTER			
19	+	P022-002100	2	E-RING	4		
20	+	P022-006510	2	SPRING, RETURN			
21	+	P022-006850	2	PAWL, STARTER			
22		A051-000940	1	STARTER, RECOIL ASY			
23	+	177236-61830	1	SCREW			
24	+	P022-008280	1	PLATE, CAM			
25	+	P022-008270	1	SPRING, DAMPER			
26	+	P022-006830	1	DRUM			

2. STARTER, MAGNETO, CLUTCH



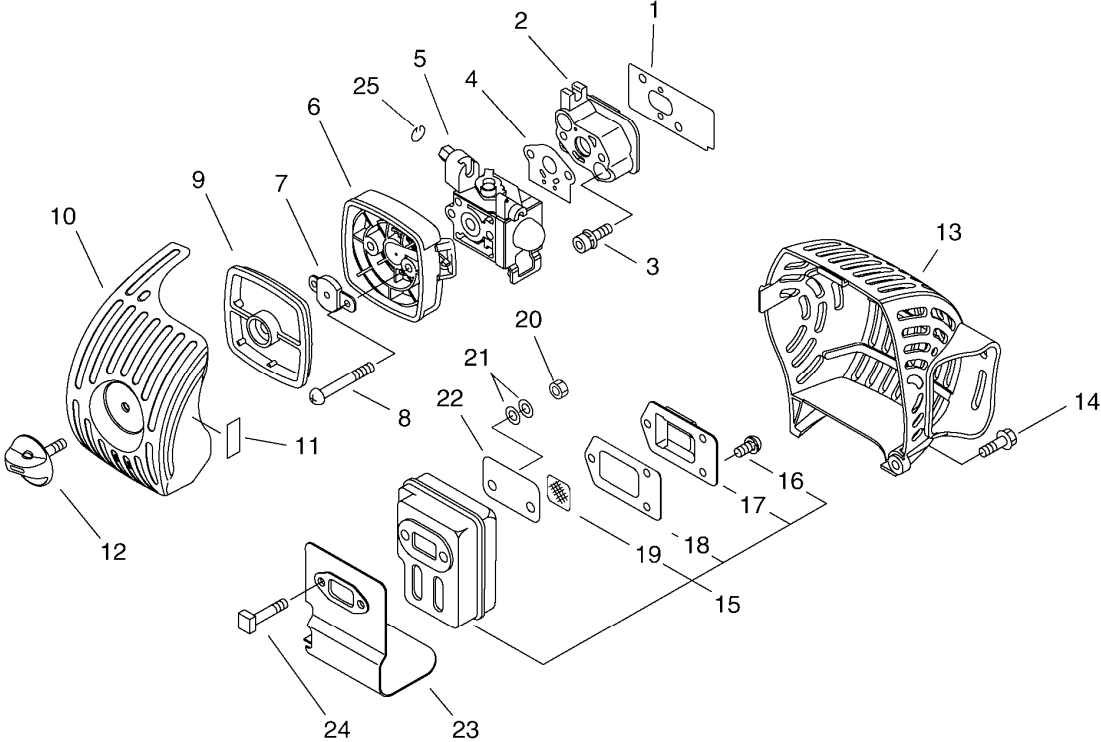
KEY	LV	PART NUMBER	Q'TY	DESCRIPTION	REMARKS	NOTE1	NOTE2
27	+	P022-008260	1	ROPE	3M/M		
28	+	177220-42030	1	SPRING, REWIND			
29	+	P022-001350	1	STOPPER, ROPE			
30	+	177228-27030	1	GRIP, STARTER			
31	+	177227-42030	1	GUIDE, ROPE			
32	+	900565-00005	4	NUT	5		
33		900163-04016	4	BOLT HSH			
34		X502-000330	1	LABEL,ECHO	ECHO		
35		A175-000030	1	STAND			
36		900603-00005	4	WASHER 5	5.5*12*0.8		
37		900162-05025	4	BOLT, H.S. 5*25	5*25 W,SW		
38		V322-000031	2	WASHER,CIRCULAR 4			
39		900603-00004	2	WASHER 4	4.5*10*0.8		

3. AIR CLEANER, CARBURETOR, MUFFLER



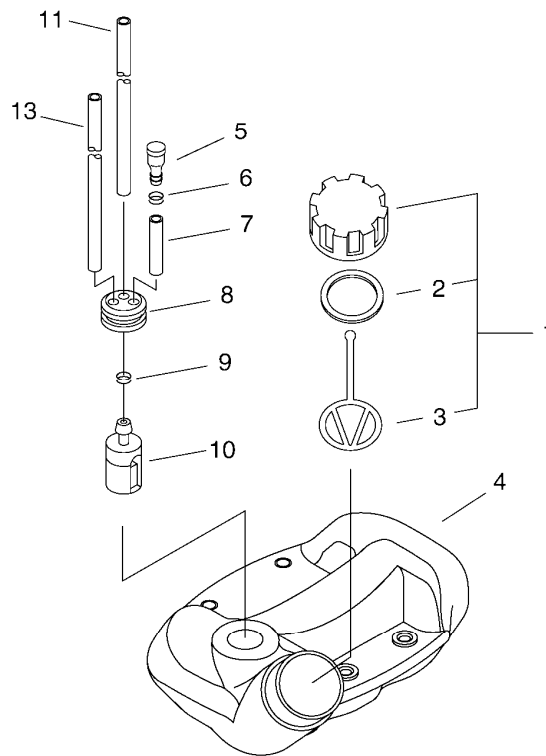
KEY	LV	PART NUMBER	Q'TY	DESCRIPTION	REMARKS	NOTE1	NOTE2
1		V103-000210	1	GASKET,INTAKE			
2		A200-000200	1	INSULATOR,INTAKE			
3		900162-05025	2	BOLT, H.S. 5*25	5*25 W,SW		
4		V103-000270	1	GASKET,INTAKE	T1.5-11		
5		A021-001530	1	CARBURETOR,DIAPHRAGM	RB-K		
6		P021-004480	1	CASE, AIR CLEANER			
7		129011-52730	1	PLATE, PREVENT			
8		900242-05065	2	SCREW 5*65	5*65		
9		130310-54130	1	FILTER, AIR			
9		A226-001410	1	ELEMENT,AIR FILTER			
10		A232-000330	1	LID,CLEANER			
11		890332-52730	1	LABEL, CHOKE			
12		V299-000250	1	KNOB,FASTENER			
13		A320-000341	1	COVER,MUFFLER			
14		900106-05014	1	BOLT, H.S. 5*14	5*14		
15		P021-014220	1	MUFFLER ASY			
16	+	900242-04010	3	SCREW 4*10	4*10		
17	+	A313-000990	1	GUIDE, EXHAUST	ID#1470		
18	+	145866-42031	1	GASKET, MUFFLER LID			
19	+	145862-40630	1	SCREEN, MUFFLER			
20		900500-00005	2	NUT 5	5		
21		92280-05000	2	WASHER, NORD-LOCK	NL5 5.4*9*1.8		
22		V150-001760	1	PLATE,EYE			
23		V104-000780	1	GASKET,EXHAUST			
24		V203-000120	2	BOLT,5	L=60		

3. AIR CLEANER, CARBURETOR, MUFFLER



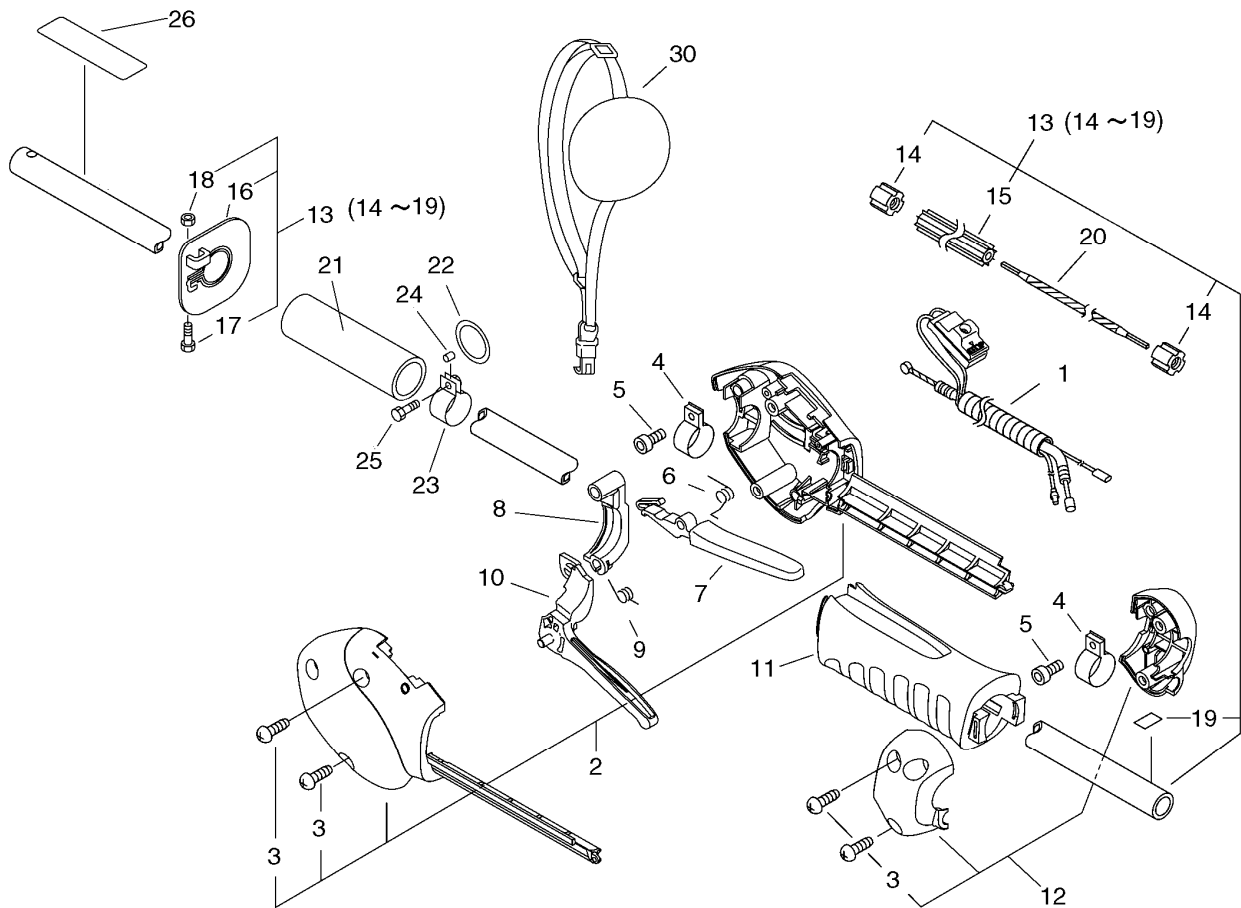
KEY	LV	PART NUMBER	Q'TY	DESCRIPTION	REMARKS	NOTE1	NOTE2
25		100015-00120	1	CIRCLIP, PISTON PIN			

4. FUEL TANK



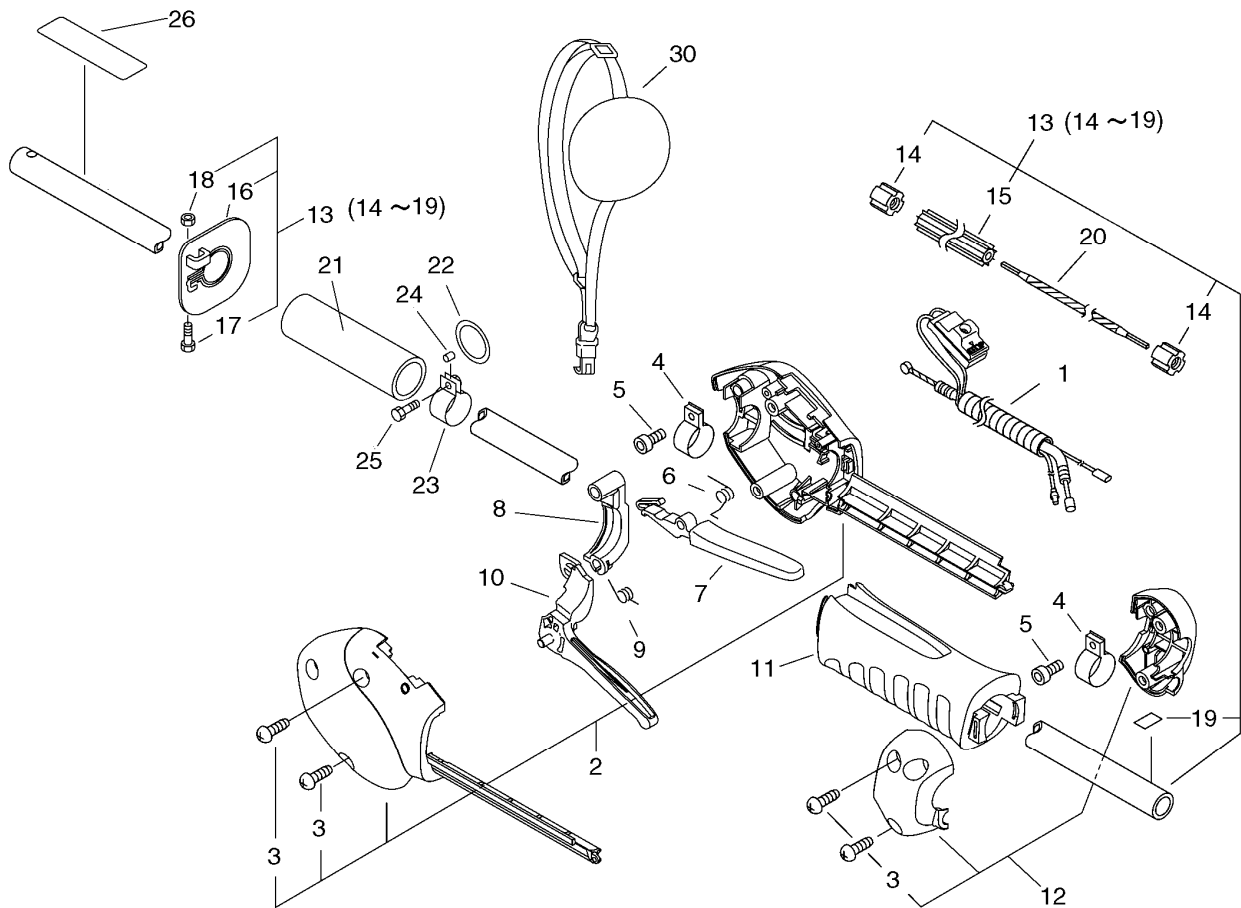
KEY	LV	PART NUMBER	Q'TY	DESCRIPTION	REMARKS	NOTE1	NOTE2
1		131004-55530	1	CAP ASSY, FUEL TANK			
2	+	131016-55830	1	GASKET, FUEL CAP			
3	+	131051-56030	1	CLIP, FUEL CAP	100L		
4		P021-013640	1	TANK,FUEL			
5		A356-000030	1	VALVE,CHECK			
6		132013-26630	1	CLIP	6.5MM		
7		V471-001180	1	PIPE	3*6*35 NBR		
8		132115-55930	1	GROMMET, FUEL			
9		132013-09820	1	CLIP	6MM		
10		A369-000000	1	STRAINER, FUEL	125-528		
11		V470-000580	1	PIPE	3*5*195		
13		132010-40830	1	PIPE 3*6*75	3*6*75 YL		

5. HANDLE, MAIN PIPE



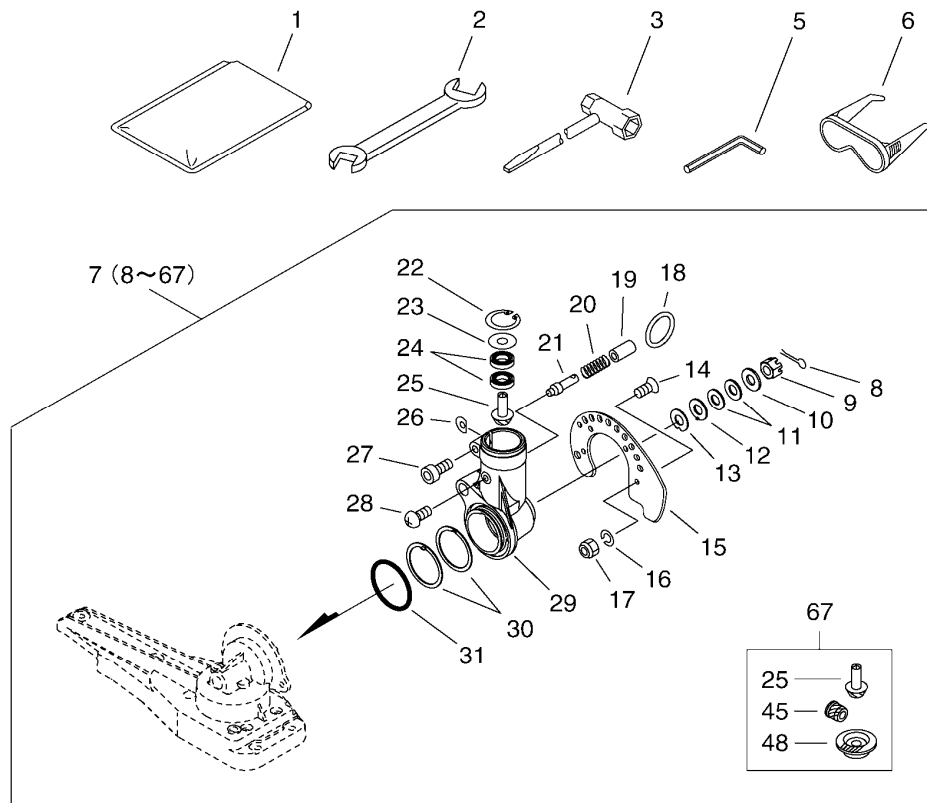
KEY	LV	PART NUMBER	Q'TY	DESCRIPTION	REMARKS	NOTE1	NOTE2
1		V043-000180	1	CABLE ASY, CONTROL			
2		P021-009961	1	HANDLE PIECE			
3	+	889950-21060	2	SCREW 5			
4		V495-000680	2	BAND			
5		900162-05020	2	BOLT, H.S. 5*20	5*20 W,SW		
6		V452-000240	1	SPRING, TORSION	ACT3020-35B		
7		C460-000050	1	LOCKOUT, THROTTLE			
8		C453-000151	1	LEVER, THROTTLE			
9		V452-000212	1	SPRING, TORSION	7.50MM ID COIL		
10		C450-000182	1	TRIGGER, THROTTLE			
11		C412-000090	1	GRIP, HANDLE	RUBBER INSERT		
12		P021-009970	1	HANDLE FIXTURE			
3	+	889950-21060	2	SCREW 5			
13		C050-000680	1	PIPE, MAIN	25*L=1500		
14	+	610246-44730	2	STOPPER			
15	+	C507-000260	1	LINER, FLEXIBLE	21.6*1420LNG		
16	+	C440-000020	1	GUARD, HAND			
17	+	900142-05020	1	BOLT 5*20 (W/W, SW)	5*20		
18	+	900500-00005	1	NUT 5	5		
19	+	890152-04930	1	LABEL, CAUTION			
20		610013-44730	1	SHAFT, FLEXIBLE			
21		351012-54330	1	GRIP			
22		301016-52730	1	RING, HARNESS			
23		301207-08930	1	HOOK			

5. HANDLE, MAIN PIPE



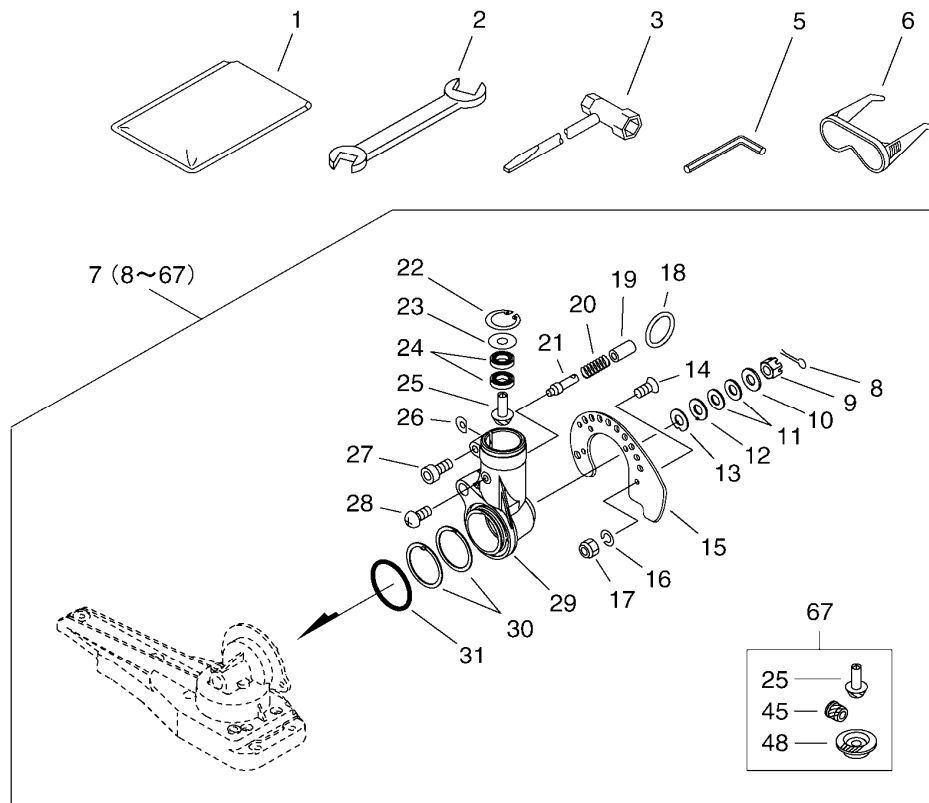
KEY	LV	PART NUMBER	Q'TY	DESCRIPTION	REMARKS	NOTE1	NOTE2
24		699012-03330	1	SPACER			
25		900100-05018	1	BOLT 5*18	5*18		
26		890617-12361	1	LABEL, CAUTION			
30		C062-000100	1	HARNESS, SHOULDER			

6-1. GEAR CASE, CUTTER



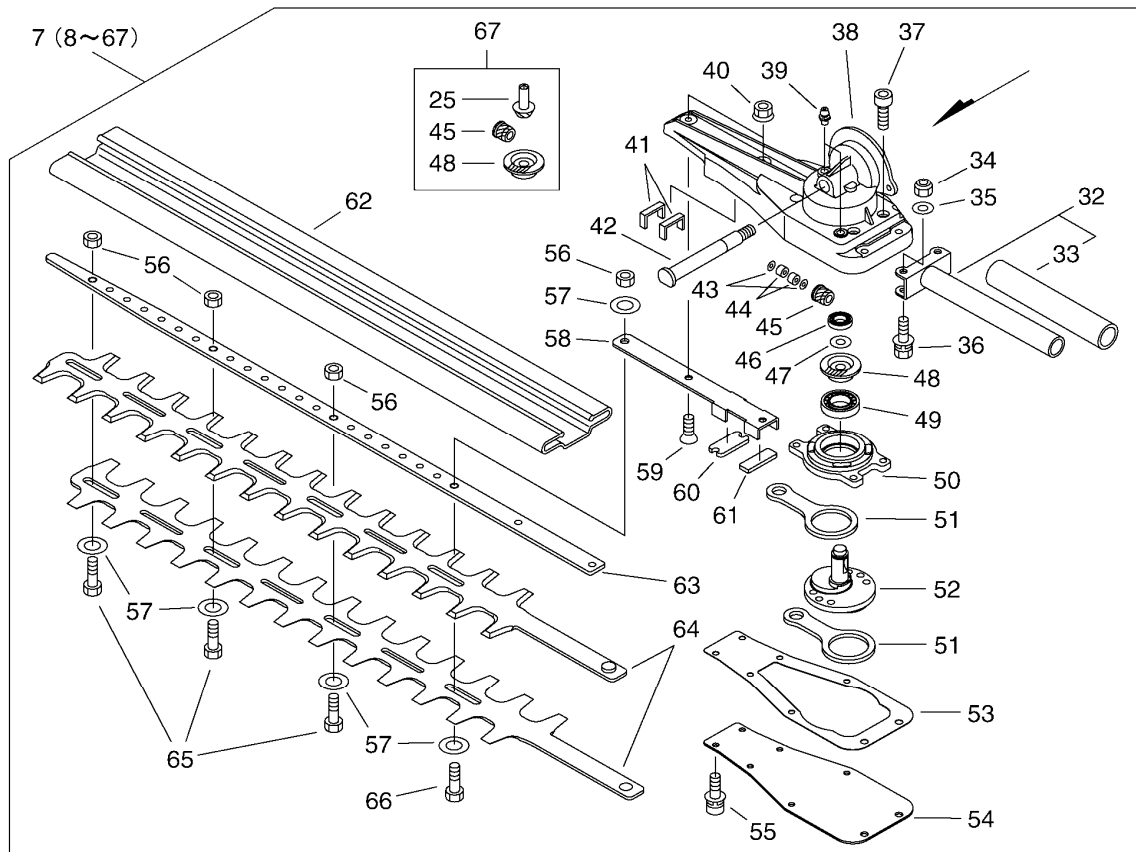
KEY	LV	PART NUMBER	Q'TY	DESCRIPTION	REMARKS	NOTE1	NOTE2
1		898510-07130	1	BAG, TOOL			
2		895112-00330	1	SPANNER 8*10			
3		895410-03930	1	WRENCH, W/S. DRIVER			
5		895610-00130	1	L-WRENCH (4MM)			
6		X690-000050	1	GOGGLE	GOGGLE + NOTE		
7		P021-010466	1	CASE ASY, GEAR			
8	+	93000-16180	1	PIN SPLIT	P-1.6*18		
9	+	900529-00008	1	NUT, SLOTT 8			
10	+	V306-000140	1	WASHER,CIRCULAR 8			
11	+	V347-000010	2	WASHER,CONICAL			
12	+	V340-000110	1	WASHER			
13	+	V110-000040	1	GASKET,GEAR CASE	CIRCULAR 17MM OD		
14	+	900212-04012	2	SCREW 4*12	+SF4*12		
15	+	C465-000010	1	RESETTER, LATCH			
16	+	900605-00004	2	WASHER, SPRING 4	4		
17	+	900560-00004	2	LOCKNUT	4		
18	+	V583-000050	1	RING			
19	+	V355-000310	1	COLLAR,8			
20	+	V450-000420	1	SPRING,COMPRESSION			
21	+	V642-000020	1	PIN,LINCH			
22	+	900702-00022	1	CIRCLIP 22	CR-22		
23	+	V583-000060	1	RING			
24	+	900859-06900	2	BEARING, BALL 6900	6900		
67	+	P021-010690	1	BEVEL GEAR SET			

6-1. GEAR CASE, CUTTER



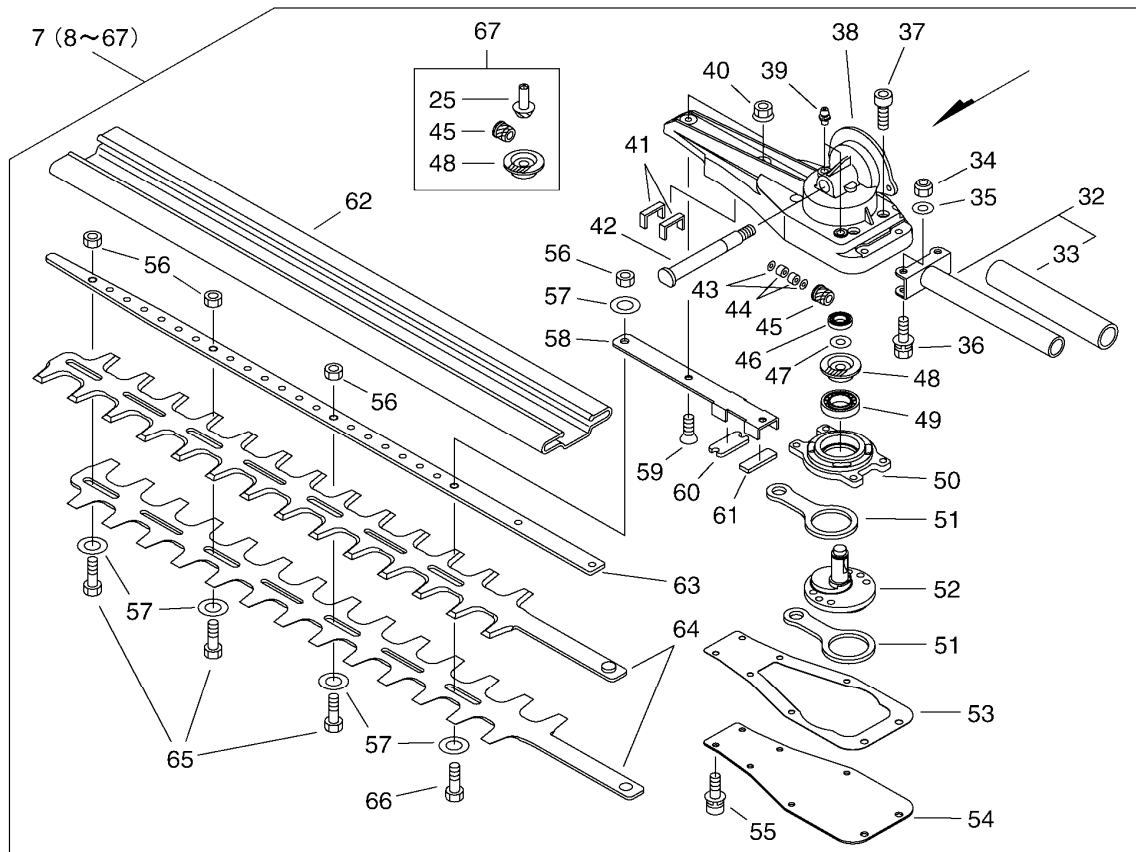
KEY	LV	PART NUMBER	Q'TY	DESCRIPTION	REMARKS	NOTE1	NOTE2
25	++	V651-000240	1	GEAR,BEVEL	12 TEETH		
45	++	V651-000250	1	GEAR,BEVEL	25 TEETH		
48	++	V651-000260	1	GEAR,BEVEL	35 TEETH		
26	+	V340-000170	1	WASHER			
27	+	900162-05025	1	BOLT, H.S. 5*25	5*25 W,SW		
28	+	900242-05012	1	SCREW 5*12	5*12		
29	+	C531-000292	1	CASE,GEAR			
30	+	V340-000120	2	WASHER			
31	+	900724-00032	1	O-RING	S-32		

6-2. GEAR CASE, CUTTER



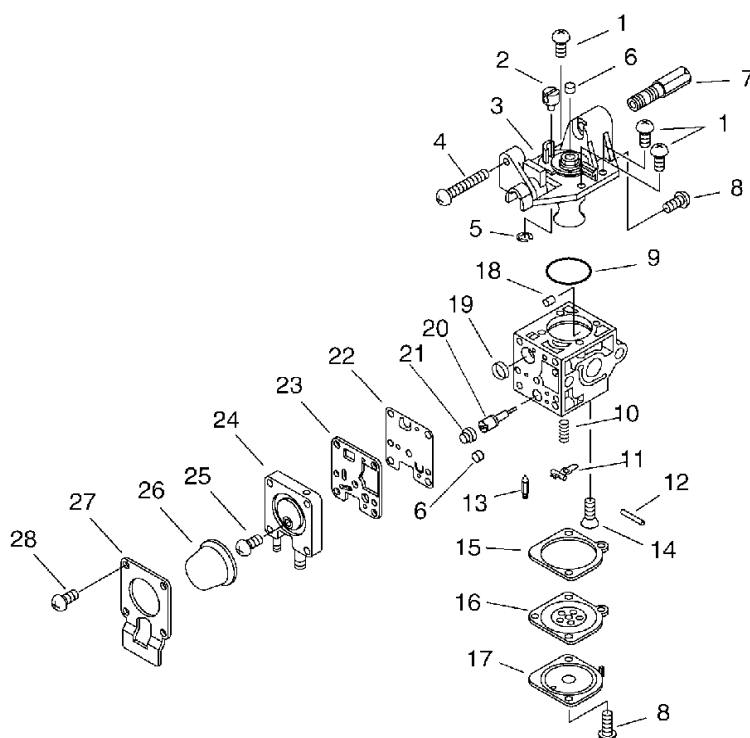
KEY	LV	PART NUMBER	Q'TY	DESCRIPTION	REMARKS	NOTE1	NOTE2
32	+	351305-12360	1	HANDLE			
33	++	351315-12360	1	GRIP, HANDLE	19*135		
34	+	900560-00005	2	NUT, LOCK 5	5		
35	+	900600-00005	2	WASHER 5	5		
36	+	900142-05028	2	BOLT 5*28 (W/W,SW)	5*28		
37	+	900105-05008	4	BOLT, H.S. 5*8	5*8		
38	+	C531-000302	1	CASE,GEAR	DRIVEN SIDE		
39	+	880110-10860	2	NIPPLE, GREASE			
40	+	900516-00005	2	NUT, FRANGE 5	5		
41	+	V541-000130	2	SEAL			
42	+	C534-000260	1	SHAFT,GEAR			
43	+	V307-000150	2	WASHER,CIRCULAR 10	10.2*15.5*T=1		
44	+	V555-000040	2	BEARING,NEEDLE 10			
46	+	900855-06900	1	BEARING, BALL 6900	6900		
47	+	V583-000040	1	RING			
49	+	900800-06001	1	BEARING, BALL 6001			
50	+	C503-000072	1	HOLDER,BEARING	28 BEARING SEAT		
51	+	C532-000140	2	ROD, CONNECTING	YAMASAKI		
51	+	C532-000120	2	ROD, CONNECTING			
52	+	C533-000041	1	CAM	HCA		
53	+	V110-000051	1	GASKET,GEAR CASE	HCA GEARCASE LID		
54	+	C539-000010	1	LID,GEARCASE	HCA-260 G.C.		
56	+	433022-06460	4	NUT			

6-2. GEAR CASE, CUTTER



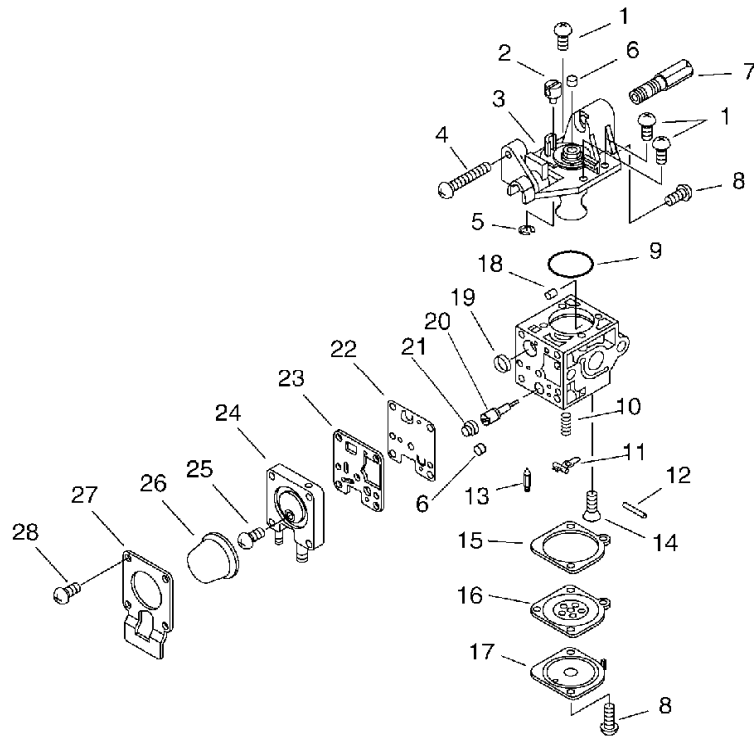
KEY	LV	PART NUMBER	Q'TY	DESCRIPTION	REMARKS	NOTE1	NOTE2
57	+	699118-04560	5	WASHER			
58	+	C538-000120	1	GUIDE,CUTTER			
59	+	900212-05020	2	SCREW 5*20	+SF5*20		
60	+	C538-000110	1	GUIDE,CUTTER			
61	+	C538-000100	1	GUIDE,CUTTER			
62	+	X495-000060	1	SCABBARD, BLADE	19.5		
63	+	X425-000220	1	SUPPORT,CUTTER	T=3.0		
64	+	X411-000350	2	CUTTER	L= 570		
65	+	699115-04660	3	BOLT 6	6*18L		
66	+	699115-07760	1	BOLT, CUTTER			

7. キャブレタ (気化器)



KEY	LV	PART NUMBER	Q'TY	DESCRIPTION	REMARKS	NOTE1	NOTE2
		A021-001530	1	CARBURETOR,DIAPHRAGM	RB-K		
1	+	125344-13931	3	SCREW			
2	+	P005-001240	1	POST			
3	+	P005-001980	1	COVER ASY, ROTOR			
4	+	P005-000100	1	SCREW,THROTTLEADJUST			
5	+	P005-000190	1	E-RING			
6	+	P005-001270	2	PLUG, H AJUST SCREW			
7	+	P005-002010	1	SCREW, WIRW ADJUST			
8	+	125344-52130	3	SCREW			
9	+	P005-000280	1	O-RING			
10	+	125322-07260	1	SPRING, COIL			
11	+	125323-08260	1	ARM, VALVE			
12	+	125338-13930	1	PIN, METERING ARM			
13	+	125337-08260	1	VALVE, INLET NEEDLE			
14	+	125339-42030	1	SCREW			
15	+	P005-000200	1	GASKET, METERING			
16	+	P005-001780	1	DIAPHRAGM			
17	+	125342-52130	1	COVER, DIAPHRAGM			
18	+	P005-001000	1	ROLLER, GUIDE			
19	+	P005-000010	1	STRAINER			
20	+	P005-001290	1	SCREW,MAINN MIXTURE			
21	+	P005-001250	1	RETAINER,PLUG BALL			
22	+	P005-000510	1	DIAPHRAGM, PUMP			
23	+	P005-000520	1	GASKET, PUMP			
24	+	P005-001890	1	BASE, ASY PRIMER			
25	+	P005-000270	1	SCREW			

7. キャブレタ (気化器)



KEY	LV	PART NUMBER	Q'TY	DESCRIPTION	REMARKS	NOTE1	NOTE2
26	+	125381-46730	1	PUMP, PRIMING			
27	+	P005-000250	1	RETAINER			
28	+	P005-001900	4	SCREW			

8. DIAPHRAGM/GASKET KIT

KEY	LV	PART NUMBER	Q'TY	DESCRIPTION	REMARKS	NOTE1	NOTE2
		P005-001660	1	DIAPHRAGM/GASKET KIT			
1	+	P005-001780	1	DIAPHRAGM			
2	+	P005-000200	1	GASKET, METERING			
3	+	P005-000510	1	DIAPHRAGM, PUMP			
4	+	P005-000520	1	GASKET, PUMP			

9. REBUILD KIT

KEY	LV	PART NUMBER	Q'TY	DESCRIPTION	REMARKS	NOTE1	NOTE2
		P005-001990	1	REBUILD KIT			
1	+	125322-07260	1	SPRING, COIL			
2	+	125323-08260	1	ARM, VALVE			
3	+	125338-13930	1	PIN, METERING ARM			
4	+	125337-08260	1	VALVE, INLET NEEDLE			
5	+	P005-000200	1	GASKET, METERING			
6	+	P005-001780	1	DIAPHRAGM			
7	+	P005-001000	1	ROLLER, GUIDE			
8	+	P005-000010	1	STRAINER			
9	+	P005-000510	1	DIAPHRAGM, PUMP			
10	+	P005-000520	1	GASKET, PUMP			

Index

Patrs Number	Key No.	Patrs Number	Key No.	Patrs Number	Key No.
100012-16131	1 - 19	351315-12360	## - 33	900600-00005	## - 35
100013-35430	1 - 17	433022-06460	## - 56	900603-00004	2 - 39
100014-53630	1 - 18	610013-44730	5 - 20	900603-00005	2 - 36
100015-00120	3 - 25	610246-44730	5 - 14	900605-00004	## - 16
100015-03931	1 - 16	699012-03330	5 - 24	900701-00012	1 - 34
100142-12330	1 - 42	699115-04660	## - 65	900702-00022	## - 22
100212-42031	1 - 22	699115-07760	## - 66	900702-00028	1 - 32
100215-03930	1 - 23	699118-04560	## - 57	900724-00032	## - 31
100242-42030	1 - 25	880110-10860	## - 39	900800-06001	## - 49
125322-07260	7 - 10	889950-21060	5 - 3	900807-06001	1 - 33
125322-07260	9 - 1	889950-21060	5 - 3	900855-06900	## - 46
125323-08260	7 - 11	890152-04930	5 - 19	900859-06900	## - 24
125323-08260	9 - 2	890332-52730	3 - 11	91140-05012	1 - 6
125337-08260	7 - 13	890617-12361	5 - 26	92280-05000	3 - 21
125337-08260	9 - 4	895112-00330	## - 2	93000-16180	## - 8
125338-13930	7 - 12	895410-03930	## - 3	94035-36201	1 - 24
125338-13930	9 - 3	895610-00130	## - 5	A011-000434	1 - 20
125339-42030	7 - 14	898510-07130	## - 1	A021-001530	3 - 5
125342-52130	7 - 17	900100-05018	5 - 25	A021-001530	7 -
125344-13931	7 - 1	900105-05008	## - 37	A051-000940	2 - 22
125344-52130	7 - 8	900105-05012	1 - 39	A052-000180	2 - 18
125381-46730	7 - 26	900106-05008	1 - 9	A101-000170	1 - 15
129011-52730	3 - 7	900106-05014	1 - 8	A127-000160	1 - 41
130310-54130	3 - 9	900106-05014	3 - 14	A130-000761	1 - 11
131004-55530	4 - 1	900142-05020	5 - 17	A160-000691	1 - 10
131016-55830	4 - 2	900142-05028	## - 36	A160-000780	1 - 4
131051-56030	4 - 3	900162-05016	1 - 29	A162-000080	1 - 7
132010-40830	4 - 13	900162-05020	5 - 5	A162-000100	1 - 2
132013-09820	4 - 9	900162-05025	1 - 12	A175-000030	2 - 35
132013-26630	4 - 6	900162-05025	2 - 37	A200-000200	3 - 2
132115-55930	4 - 8	900162-05025	3 - 3	A226-001410	3 - 9
145862-40630	3 - 19	900162-05025	## - 27	A232-000330	3 - 10
145866-42031	3 - 18	900162-05028	1 - 26	A313-000990	3 - 17
156110-04920	2 - 2	900163-04016	1 - 35	A320-000341	3 - 13
156635-43130	1 - 27	900163-04016	2 - 33	A356-000030	4 - 5
159116-21231	1 - 28	900212-04012	## - 14	A369-000000	4 - 10
159116-21231	1 - 28	900212-05020	## - 59	A409-000310	2 - 12
162010-04561	2 - 1	900242-04010	3 - 16	A411-000250	2 - 6
175046-56030	2 - 13	900242-05012	## - 28	A411-000251	2 - 6
175048-05530	2 - 16	900242-05065	3 - 8	A425-000000	2 - 10
175049-56030	2 - 14	900256-05016	1 - 1	A426-000010	2 - 9
177220-42030	2 - 28	900500-00005	3 - 20	A427-000013	2 - 8
177227-42030	2 - 31	900500-00005	5 - 18	A553-000010	2 - 15
177228-27030	2 - 30	900515-00008	2 - 11	A556-000390	1 - 31
177236-61830	2 - 23	900516-00005	## - 40	C050-000680	5 - 13
301016-52730	5 - 22	900529-00008	## - 9	C062-000100	5 - 30
301207-08930	5 - 23	900560-00004	## - 17	C412-000090	5 - 11
351012-54330	5 - 21	900560-00005	## - 34	C440-000020	5 - 16
351305-12360	## - 32	900565-00005	2 - 32	C450-000182	5 - 10

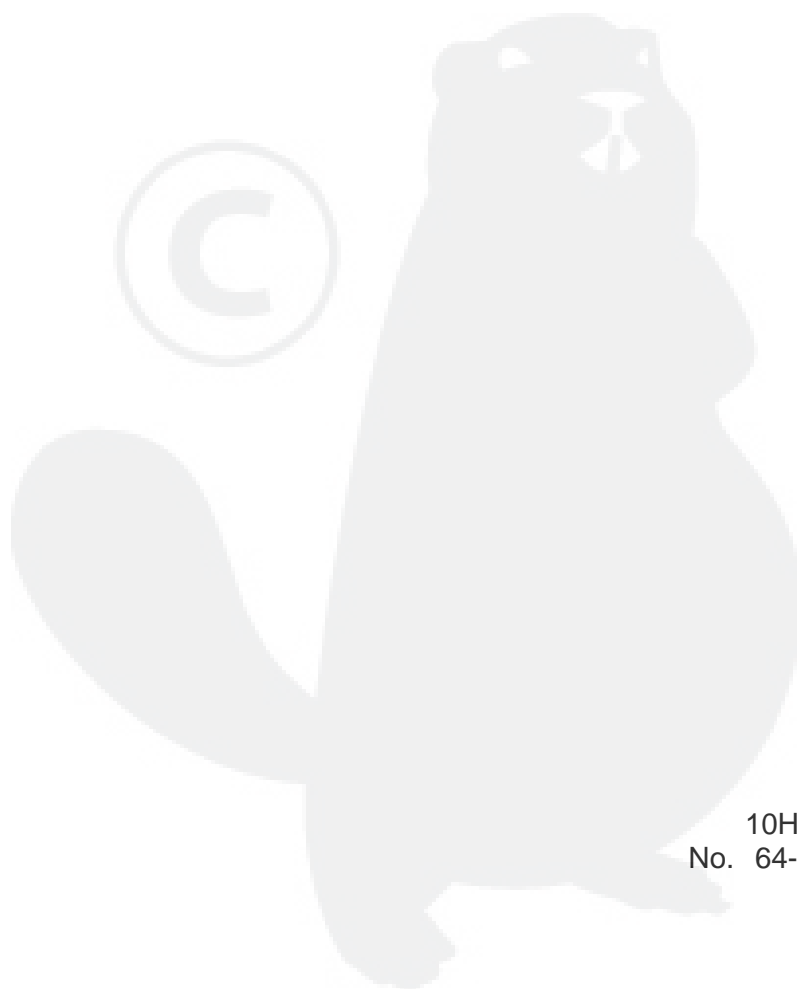
Index

Patrs Number	Key No.	Patrs Number	Key No.	Patrs Number	Key No.
C453-000151	5 - 8	P021-009790	1 - 30	V555-000040	## - 44
C460-000050	5 - 7	P021-009961	5 - 2	V583-000040	## - 47
C465-000010	## - 15	P021-009970	5 - 12	V583-000050	## - 18
C503-000072	## - 50	P021-010466	## - 7	V583-000060	## - 23
C507-000260	5 - 15	P021-010690	## - 67	V622-000020	1 - 43
C531-000292	## - 29	P021-010801	1 - 21	V642-000020	## - 21
C531-000302	## - 38	P021-013640	4 - 4	V651-000240	## - 25
C532-000120	## - 51	P021-014220	3 - 15	V651-000250	## - 45
C532-000140	## - 51	P022-001350	2 - 29	V651-000260	## - 48
C533-000041	## - 52	P022-002100	2 - 19	X411-000350	## - 64
C534-000260	## - 42	P022-006510	2 - 20	X425-000220	## - 63
C538-000100	## - 61	P022-006830	2 - 26	X495-000060	## - 62
C538-000110	## - 60	P022-006850	2 - 21	X502-000330	2 - 34
C538-000120	## - 58	P022-008260	2 - 27	X505-002310	1 - 3
C539-000010	## - 54	P022-008270	2 - 25	X547-000930	1 - 5
P005-000010	7 - 19	P022-008280	2 - 24	X690-000050	## - 6
P005-000010	9 - 8	V043-000180	5 - 1		
P005-000100	7 - 4	V100-000210	1 - 13		
P005-000190	7 - 5	V103-000210	3 - 1		
P005-000200	7 - 15	V103-000270	3 - 4		
P005-000200	8 - 2	V104-000780	3 - 23		
P005-000200	9 - 5	V110-000040	## - 13		
P005-000250	7 - 27	V110-000051	## - 53		
P005-000270	7 - 25	V135-000030	2 - 3		
P005-000280	7 - 9	V150-001760	3 - 22		
P005-000510	7 - 22	V202-000130	2 - 4		
P005-000510	8 - 3	V203-000120	3 - 24		
P005-000510	9 - 9	V299-000250	3 - 12		
P005-000520	7 - 23	V306-000140	## - 10		
P005-000520	8 - 4	V307-000150	## - 43		
P005-000520	9 - 10	V322-000031	2 - 38		
P005-001000	7 - 18	V340-000110	## - 12		
P005-001000	9 - 7	V340-000120	## - 30		
P005-001240	7 - 2	V340-000170	## - 26		
P005-001250	7 - 21	V347-000010	## - 11		
P005-001270	7 - 6	V355-000310	## - 19		
P005-001290	7 - 20	V420-001081	1 - 38		
P005-001660	8 -	V450-000420	## - 20		
P005-001780	7 - 16	V451-000400	2 - 17		
P005-001780	8 - 1	V452-000212	5 - 9		
P005-001780	9 - 6	V452-000240	5 - 6		
P005-001890	7 - 24	V470-000580	4 - 11		
P005-001900	7 - 28	V471-001180	4 - 7		
P005-001980	7 - 3	V475-003380	2 - 5		
P005-001990	9 -	V491-000180	1 - 36		
P005-002010	7 - 7	V495-000680	5 - 4		
P021-004480	3 - 6	V505-000050	1 - 40		
P021-009380	1 - 37	V505-000050	1 - 40		
P021-009771	1 - 14	V541-000130	## - 41		

YAMABIKO CORPORATION

7-2 SUEHIROCHO 1-CHOME, OHME, TOKYO 198-8760, JAPAN
PHONE: 81-428-32-6118. FAX: 81-428-32-6145.

ECHO[®]



10Hb
No. 64-174