



PARTS CATALOG

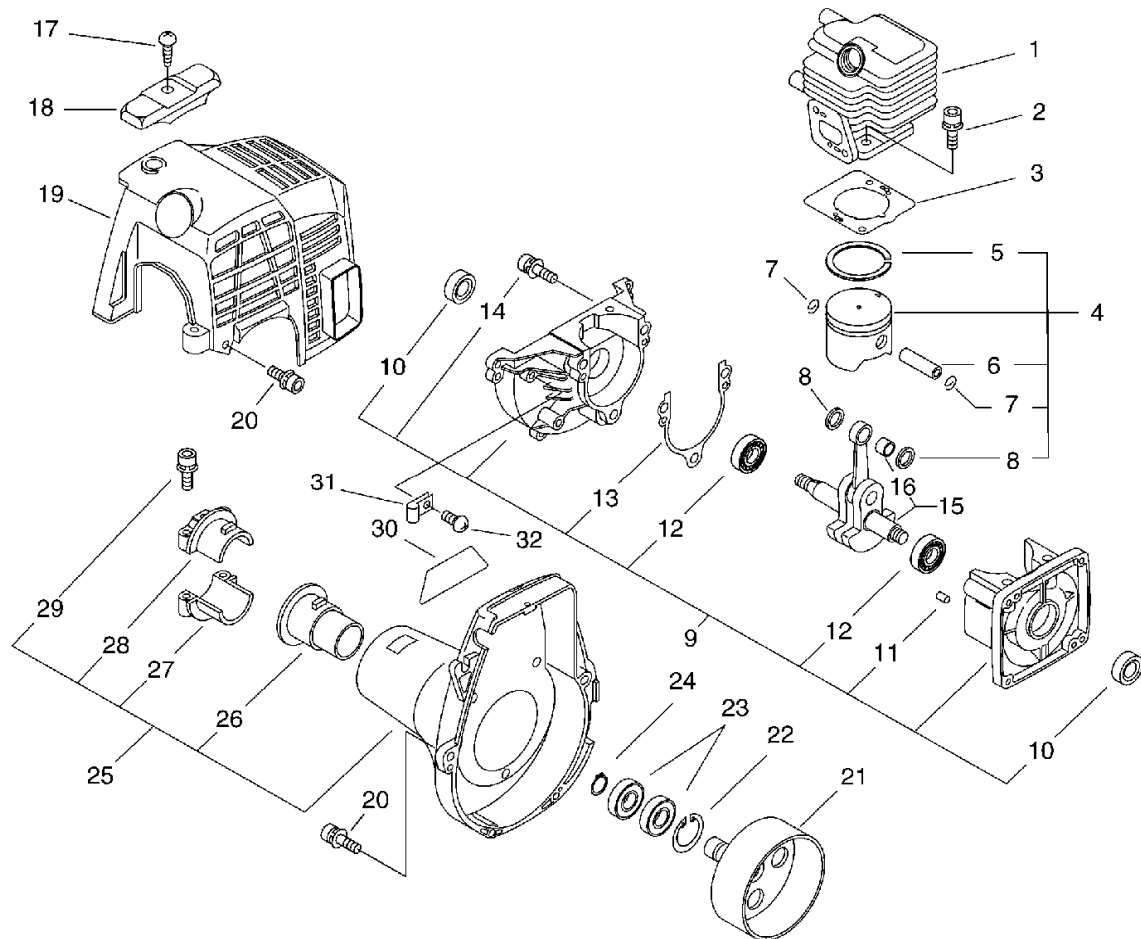
SHAFT HEDGE TRIMMER

HCAS-2200(36)

36004396 -

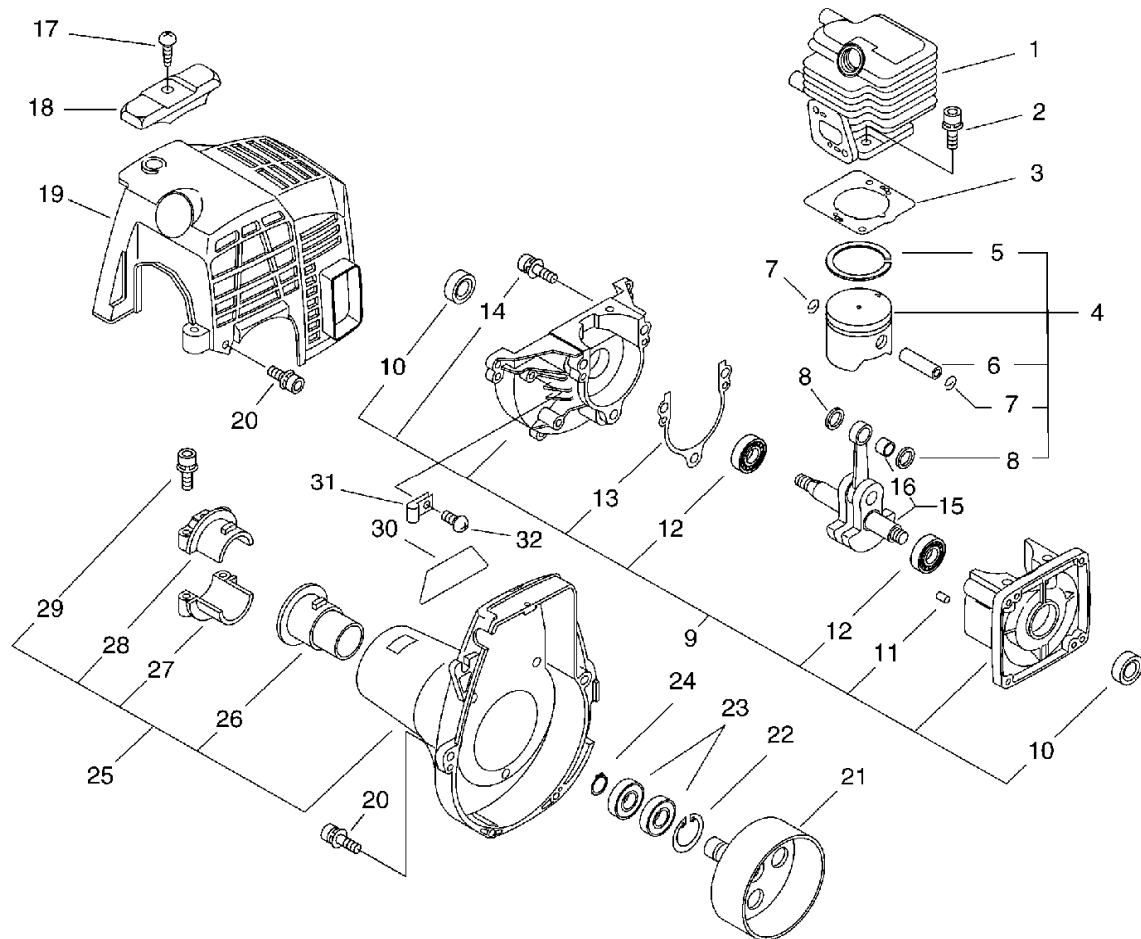
P014-000200-10Gb

1. CYLINDER, CRANKCASE, PISTON



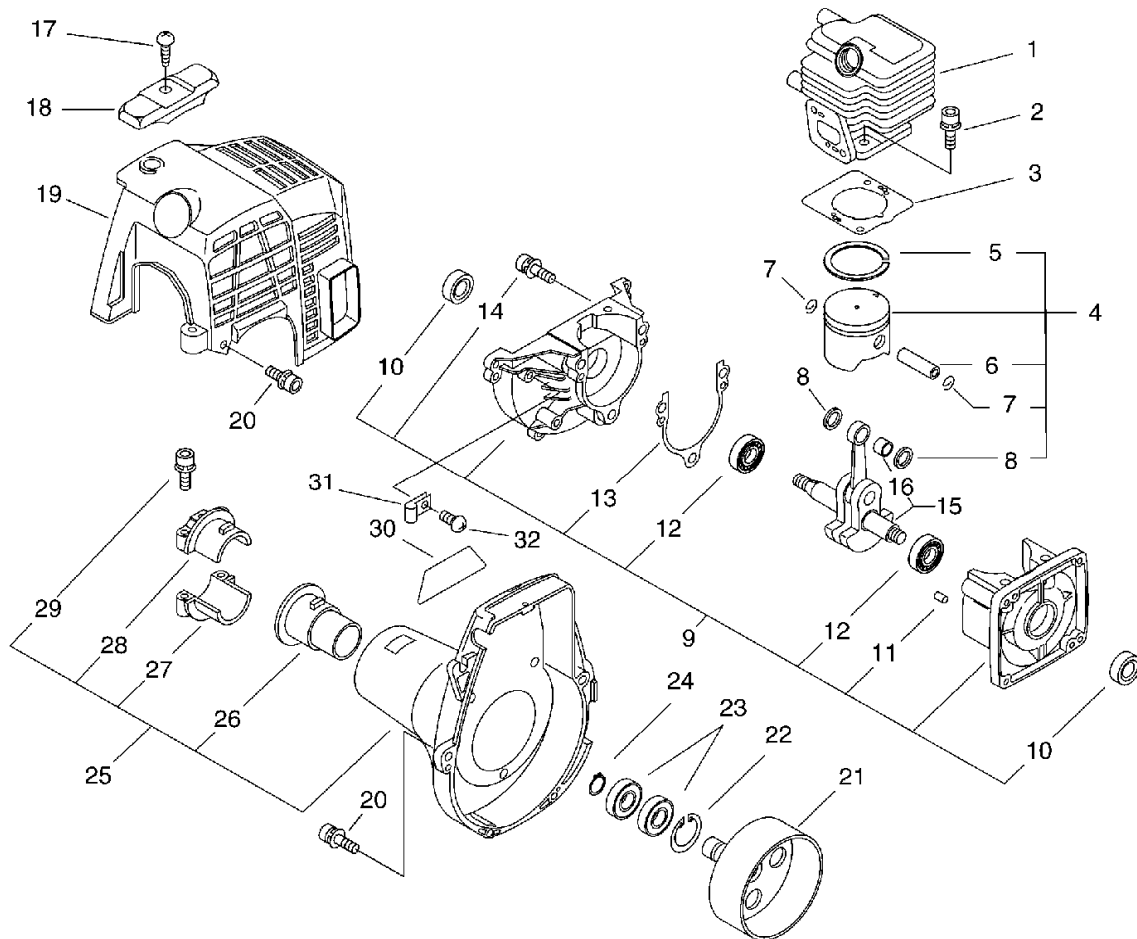
KEY	LV	PART NUMBER	Q'TY	DESCRIPTION	REMARKS	NOTE1	NOTE2
1		A130-000540	1	CYLINDER			
2		900162-05022	2	BOLT, H.S. 5*22	5*22 W,SW		
3		V100-000160	1	GASKET,CYL			
4		P021-007712	1	PISTON KIT			
5	+	A101-000090	1	RING,PISTON			
6	+	100013-11520	1	PIN, PISTON			
7	+	100015-04630	2	CIRCLIP, PISTON PIN			
8	+	100014-11520	2	SPACER, PISTON PIN			
9		100204-52132	1	CRANKCASE KIT			
10	+	100212-42031	2	OILSEAL	ISCD 12*22*4.5		
11	+	100215-03930	2	PIN, DOWEL			
12	+	94035-36201	2	BEARING BALL	6201X3JR2C3		
13	+	100242-42030	1	GASKET, CRANKCASE			
14	+	900162-05028	3	BOLT, H.S. 5*28	5*28 W,SW		
15		A011-000101	1	CRANKSHAFT,ASM			
16	+	V553-000010	1	BEARING,NEEDLE 8	HK0810		
16	+	V553-000060	1	BEARING,NEEDLE 8	HK0810FMV4		
17		900238-05016	1	SCREW 5*16	5*16		
18		A162-000050	1	GUARD, TOP			
19		A160-000570	1	COVER,CYLINDER			
20		900163-04016	4	BOLT HSH			
21		175005-48931	1	DRUM, CLUTCH			
22		900702-00028	1	CIRCLIP 28	CR-28		
23		900807-96001	2	BEARING, BALL 6001	6001		
24		900701-00012	1	CIRCLIP 12	CS-12		

1. CYLINDER, CRANKCASE, PISTON



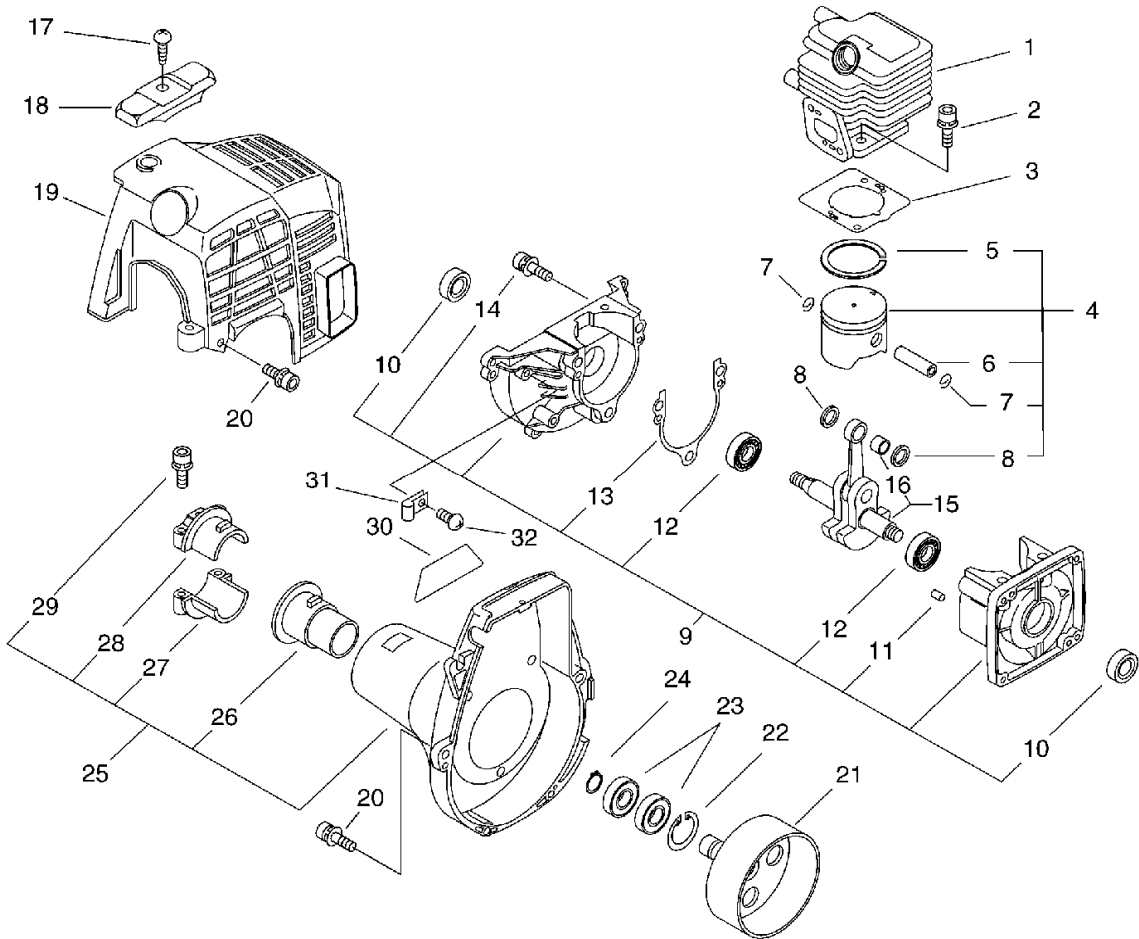
KEY	LV	PART NUMBER	Q'TY	DESCRIPTION	REMARKS	NOTE1	NOTE2
25		P021-010510	1	COVER ASY, FAN			
26	+	610910-55230	1	CUSHION			
27	+	A575-000100	1	FIXTURE, MAIN PIPE			
28	+	610922-27432	1	HOLDER			
29	+	900142-05025	2	BOLT 5*25 (W/W,SW)	5*25		
30		X547-000380	1	LABEL, ECHO	HCAS-2200		
31		132112-22031	1	CLIP, FUEL PIPE			
32		900238-05010	1	SCREW 5*10	5*10		
1		A130-000540	1	CYLINDER			
2		900162-05022	2	BOLT, H.S. 5*22	5*22 W,SW		
3		V100-000160	1	GASKET, CYL			
4		P021-007712	1	PISTON KIT			
5	+	A101-000090	1	RING, PISTON			
6	+	100013-11520	1	PIN, PISTON			
7	+	100015-04630	2	CIRCLIP, PISTON PIN			
8	+	100014-11520	2	SPACER, PISTON PIN			
9		100204-52132	1	CRANKCASE KIT			
10	+	100212-42031	2	OILSEAL	ISCD 12*22*4.5		
11	+	100215-03930	2	PIN, DOWEL			
12	+	94035-36201	2	BEARING BALL	6201X3JR2C3		
13	+	100242-42030	1	GASKET, CRANKCASE			
14	+	900162-05028	3	BOLT, H.S. 5*28	5*28 W,SW		
15		A011-000101	1	CRANKSHAFT, ASM			
16	+	V553-000010	1	BEARING, NEEDLE 8	HK0810		
16	+	V553-000060	1	BEARING, NEEDLE 8	HK0810FMV4		

1. CYLINDER, CRANKCASE, PISTON



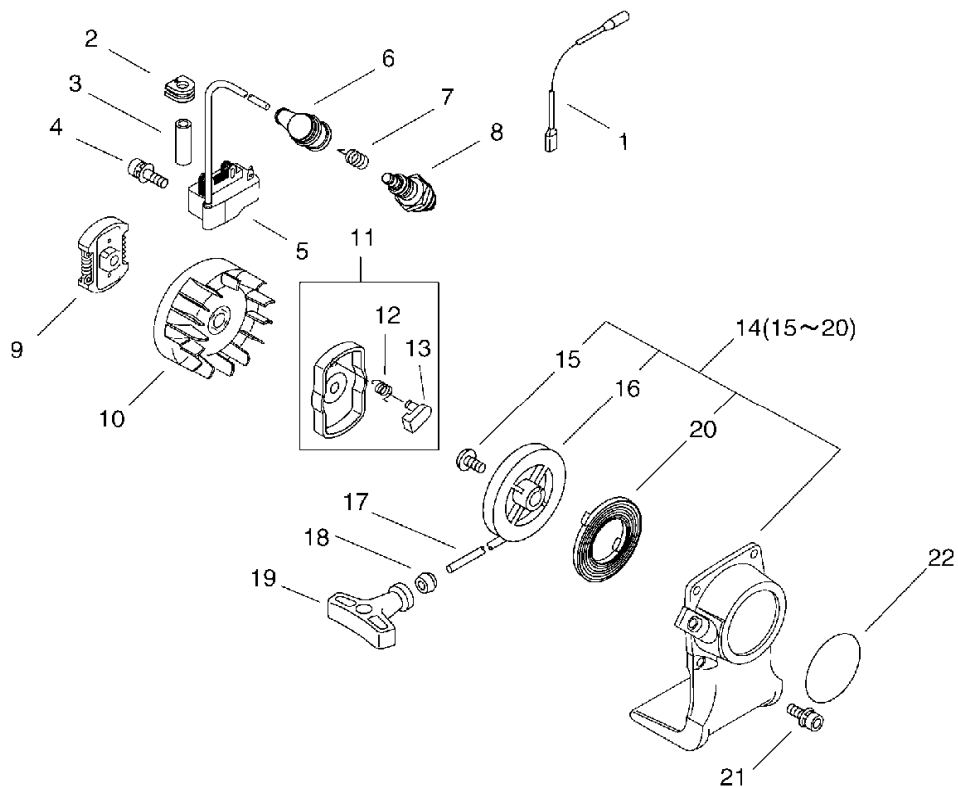
KEY	LV	PART NUMBER	Q'TY	DESCRIPTION	REMARKS	NOTE1	NOTE2
17		900238-05016	1	SCREW 5*16	5*16		
18		A162-000050	1	GUARD, TOP			
19		A160-000570	1	COVER, CYLINDER			
20		900163-04016	4	BOLT HSH			
21		175005-48931	1	DRUM, CLUTCH			
22		900702-00028	1	CIRCLIP 28	CR-28		
23		900807-96001	2	BEARING, BALL 6001	6001		
24		900701-00012	1	CIRCLIP 12	CS-12		
25		P021-010510	1	COVER ASY, FAN			
26	+	610910-55230	1	CUSHION			
27	+	A575-000100	1	FIXTURE, MAIN PIPE			
28	+	610922-27432	1	HOLDER			
29	+	900142-05025	2	BOLT 5*25 (W/W, SW)	5*25		
30		X547-000380	1	LABEL, ECHO	HCAS-2200		
31		132112-22031	1	CLIP, FUEL PIPE			
32		900238-05010	1	SCREW 5*10	5*10		

1. CYLINDER, CRANKCASE, PISTON



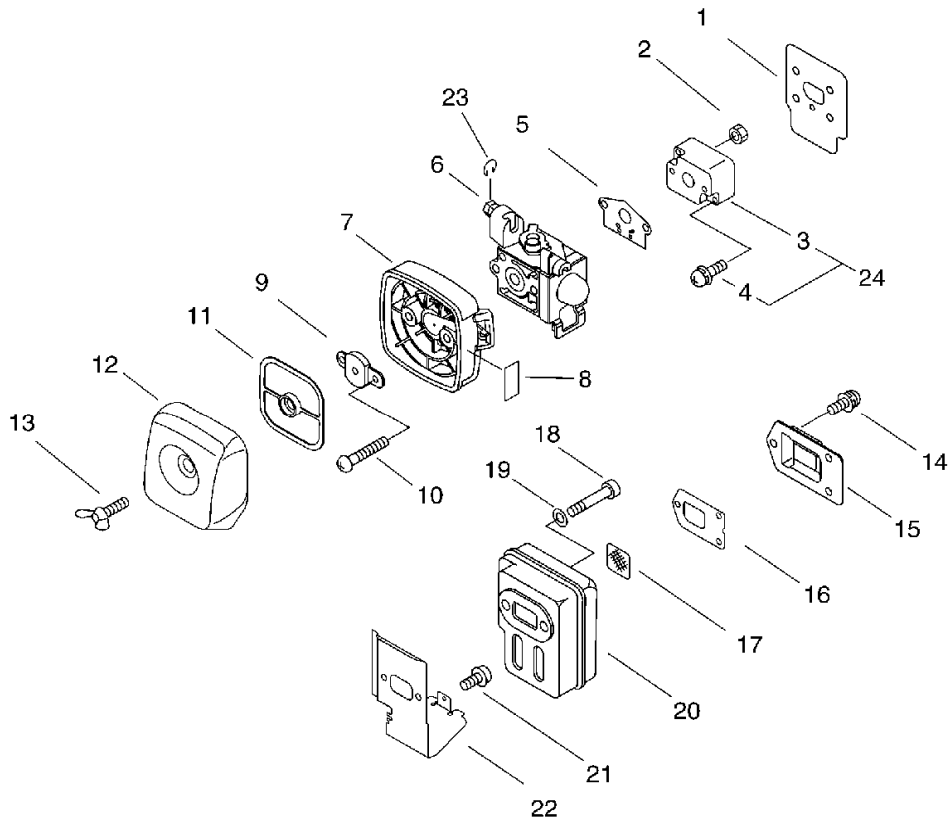
KEY	LV	PART NUMBER	Q'TY	DESCRIPTION	REMARKS	NOTE1	NOTE2
32		900238-05010	1	SCREW 5*10	5*10		

2. STARTER, MAGNETO, CLUTCH



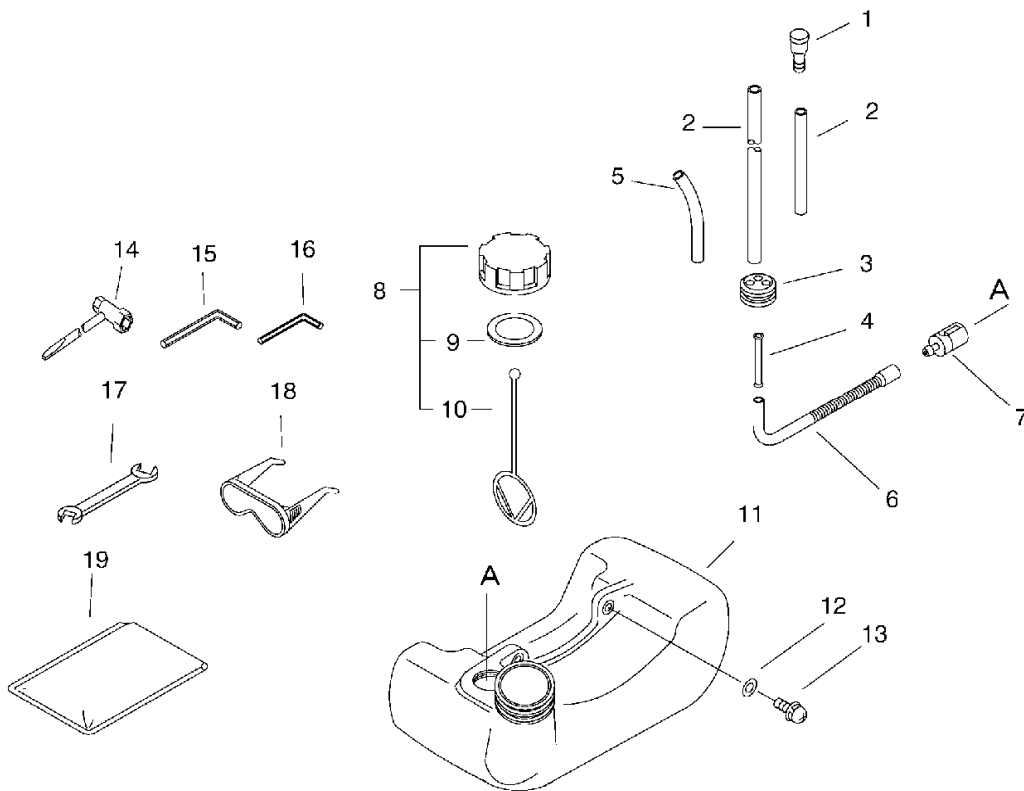
KEY	LV	PART NUMBER	Q'TY	DESCRIPTION	REMARKS	NOTE1	NOTE2
1		162010-52830	1	LEAD, GROUND			
2		156112-40630	1	GROMMET			
3		156110-54930	1	TUBE	7*8,6*18.5		
4		900162-04020	2	BOLT, H.S. 4*20	4*20 W,SW		
5		A411-000140	1	COIL,IGNITION			
6		159012-01620	1	CAP, SPARK PLUG			
7		159011-03432	1	COIL, SPARK PLUG			
8		A425-000000	1	SPARKPLUG	BPMR8Y		
9		175000-56831	1	CLUTCH ASSEMBLY			
10		A409-000210	1	ROTOR,MAGNETO			
11		177202-44331	1	PAWL ASM., STARTER			
12	+	177234-12220	1	SPRING, PAWL			
13	+	177218-44330	1	PAWL, STARTER	BLACK		
14		177200-54130	1	STARTER ASSY			
15	+	177236-44330	1	SCREW			
16	+	177215-44430	1	DRUM, STARTER			
17	+	177226-10120	1	ROPE, STARTER	3.0*1000		
18	+	177227-42030	1	GUIDE, ROPE			
19	+	177228-06530	1	GRIP, STARTER			
20	+	177220-42030	1	SPRING, REWIND			
21		900163-04016	2	BOLT HSH			
22		X502-000330	1	LABEL,ECHO	ECHO		

3. AIR CLEANER, CARBURETOR, MUFFLER



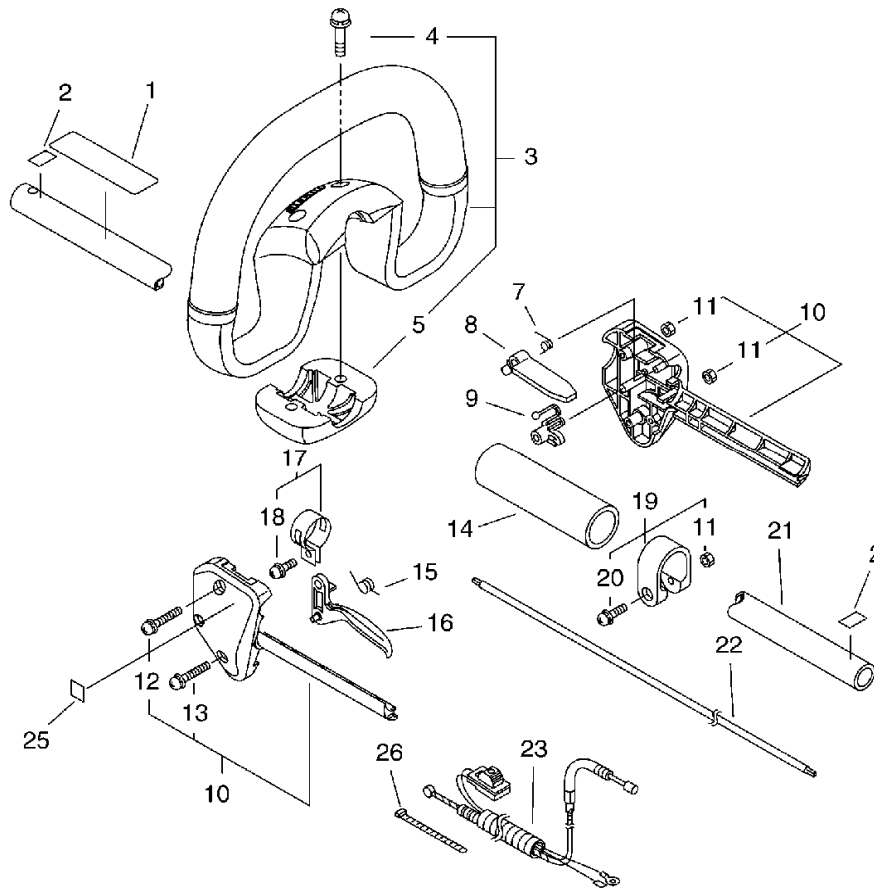
KEY	LV	PART NUMBER	Q'TY	DESCRIPTION	REMARKS	NOTE1	NOTE2
1		130010-42032	1	GASKET,INTAKE			
2		900500-00005	2	NUT 5	5		
5		130010-13410	1	GASKET, INTAKE			
6		A021-001460	1	CARBURETOR,DIAPHRAGM	RB-K87		
7		P021-000991	1	CASE, AIR CLEANER			
8		890332-52730	1	LABEL, CHOKE			
9		129011-52730	1	PLATE, PREVENT			
10		900220-05065	2	SCREW 5*65	5*65		
11		130310-54130	1	FILTER, AIR			
11		A226-001410	1	ELEMENT,AIR FILTER			
12		130313-06563	1	LID, AIR CLEANER			
13		210417-52730	1	BOLT, WING	5*20		
14		900242-04010	3	SCREW 4*10	4*10		
15		A313-000580	1	GUIDE,EXH			
16		145866-42031	1	GASKET, MUFFLER LID			
17		145862-40630	1	SCREEN, MUFFLER			
18		900105-05055	2	BOLT, H.S. 5*55	5*55		
19		900600-00005	2	WASHER 5	5		
20		145806-42030	1	MUFFLER			
21		91107-04008	1	BOLT HSH FLANGE	4*8		
22		V104-000500	1	GASKET,EXHAUST			
23		100015-00120	1	CIRCLIP, PISTON PIN			
24		P021-015350	1	INSULATOR KIT			
3	+	130017-44331	1	INSULATOR			
4	+	900238-05022	2	SCREW 5*22	5*22		

4. FUEL TANK



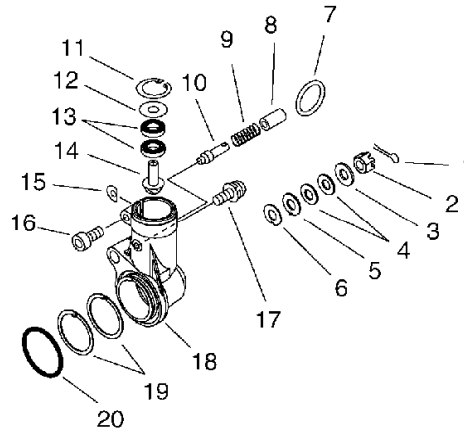
KEY	LV	PART NUMBER	Q'TY	DESCRIPTION	REMARKS	NOTE1	NOTE2
1		A356-000030	1	VALVE,CHECK			
2		V471-001200	2	PIPE	3*5*70 NBR		
3		V137-000030	1	GROMMET,FUEL			
4		132011-03360	1	CONNECTOR, FUEL PIPE			
5		132012-56030	1	PIPE	3*6*80 YL		
6		132012-12361	1	PIPE			
7		131205-07320	1	STRAINER, FUEL			
8		131004-55530	1	CAP ASSY, FUEL TANK			
9	+	131016-55830	1	GASKET, FUEL CAP			
10	+	131051-56030	1	CLIP, FUEL CAP	100L		
11		A350-000291	1	TANK,FUEL			
12		900603-00005	2	WASHER 5	5.5*12*0.8		
13		900162-05020	2	BOLT, H.S. 5*20	5*20 W,SW		
14		895410-03930	1	WRENCH, W/S. DRIVER			
15		895610-00130	1	L-WRENCH (4MM)			
16		895612-03430	1	L-WRENCH (3MM)			
17		895112-00330	1	SPANNER 8*10			
18		X690-000050	1	GOGGLE	GOGGLE + NOTE		

5. HANDLE



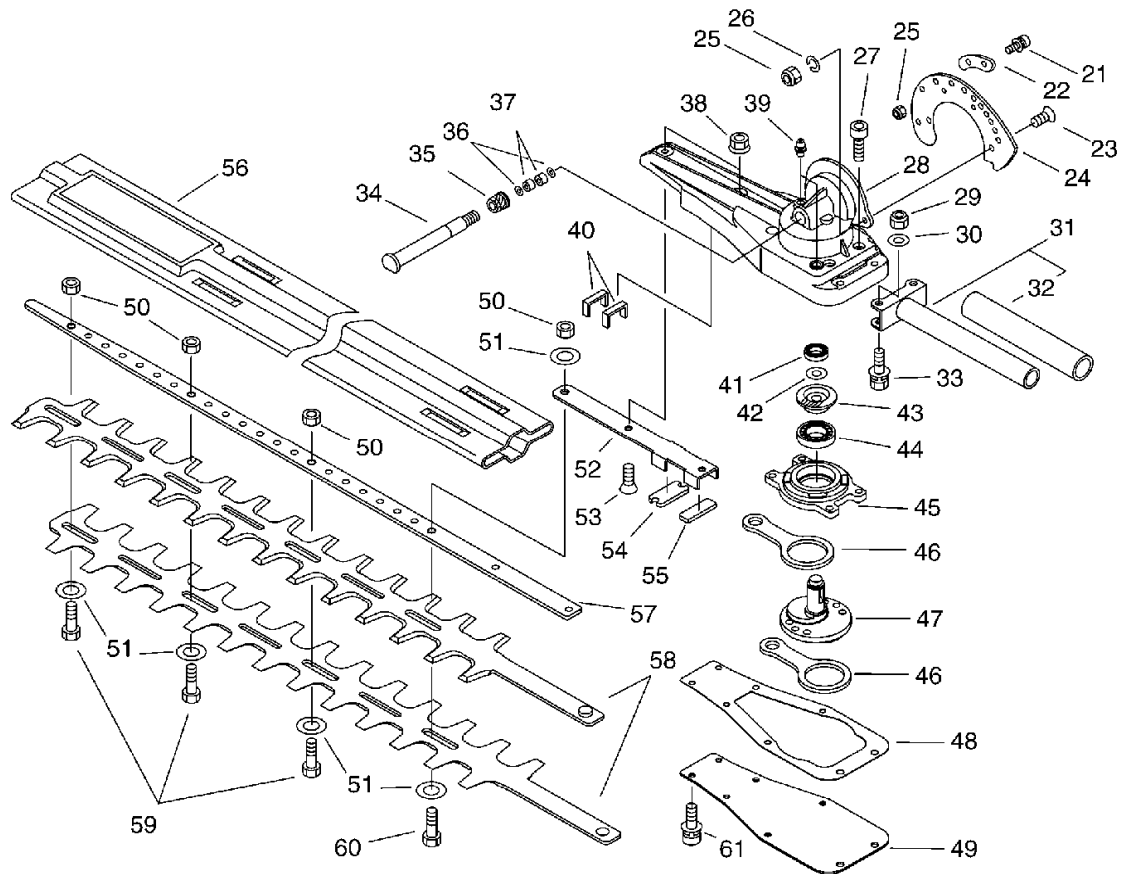
KEY	LV	PART NUMBER	Q'TY	DESCRIPTION	REMARKS	NOTE1	NOTE2
1		890617-12361	1	LABEL, CAUTION			
2		890152-04930	2	LABEL, CAUTION			
3		P021-008322	1	FRONT HANDLE ASY			
4	+	900242-05040	2	SCREW 5*40	5*40		
5	+	C423-000190	1	FIXTURE,HANDLE			
7		178013-52630	1	SPRING, THR. LOCK			
8		178090-52632	1	LOCKOUT, T. CONTROL			
9		178012-52730	1	LOCKOUT, THROTTLE			
10		178003-52130	1	BRACKET SET,THROTTLE			
11	+	900500-00005	2	NUT 5	5		
12	+	900242-05035	1	SCREW 5*35	5*35		
13	+	900242-05025	1	SCREW 5*25	5*25		
14		351213-52130	1	GRIP			
15		178043-42230	1	SPRING, THR. RETURN			
16		178010-52130	1	CONTROL, THROTTLE			
17		301200-29430	1	BAND ASSY			
18	+	900242-05014	1	SCREW 5*14			
19		610272-52130	1	BAND			
20	+	900242-05028	1	SCREW 5*28	5*28		
11	+	900500-00005	1	NUT 5	5		
21		C050-000350	1	PIPE ASY, MAIN	25*844MM		
21		C050-000350	1	PIPE ASY, MAIN	25*844MM		
22		610013-21560	1	SHAFT, FLEXIBLE			
23		V043-000191	1	CABLE ASY, CONTROL			
25		890157-39130	1	LABEL, SWITCH			
26		178121-43230	1	BAND	CV-150 BL		

6-1. GEAR CASE, CUTTER



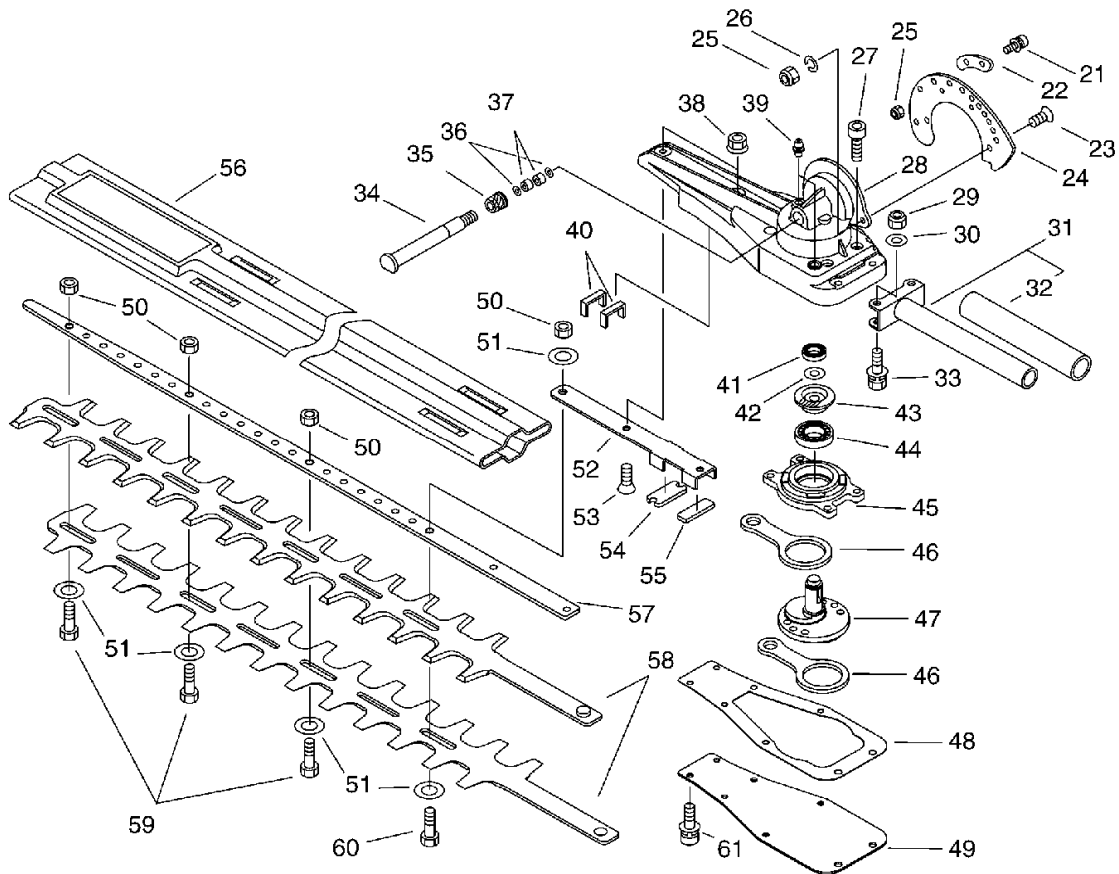
KEY	LV	PART NUMBER	Q'TY	DESCRIPTION	REMARKS	NOTE1	NOTE2
		P021-010521	1	CASE ASY, GEAR			
1	+	93000-16180	1	PIN SPLIT	P-1.6*18		
2	+	900529-00008	1	NUT, SLOTT 8			
3	+	V306-000140	1	WASHER,CIRCULAR 8			
4	+	V347-000010	2	WASHER,CONICAL			
5	+	V340-000110	1	WASHER			
6	+	V110-000040	1	GASKET,GEAR CASE	CIRCULAR 17MM OD		
7	+	V583-000050	1	RING			
8	+	V355-000310	1	COLLAR,8			
9	+	V450-000420	1	SPRING,COMPRESSION			
10	+	V642-000020	1	PIN,LINCH			
11	+	900702-00022	1	CIRCLIP 22	CR-22		
12	+	V583-000060	1	RING			
13	+	900859-06900	2	BEARING, BALL 6900	6900		
14	+	V651-000240	1	GEAR,BEVEL	12 TEETH		
15	+	V340-000170	1	WASHER			
16	+	900162-05025	1	BOLT, H.S. 5*25	5*25 W,SW		
17	+	900242-05012	1	SCREW 5*12	5*12		
18	+	C531-000292	1	CASE,GEAR			
19	+	V340-000120	2	WASHER			
20	+	900724-00032	1	O-RING	S-32		

6-2. GEAR CASE, CUTTER



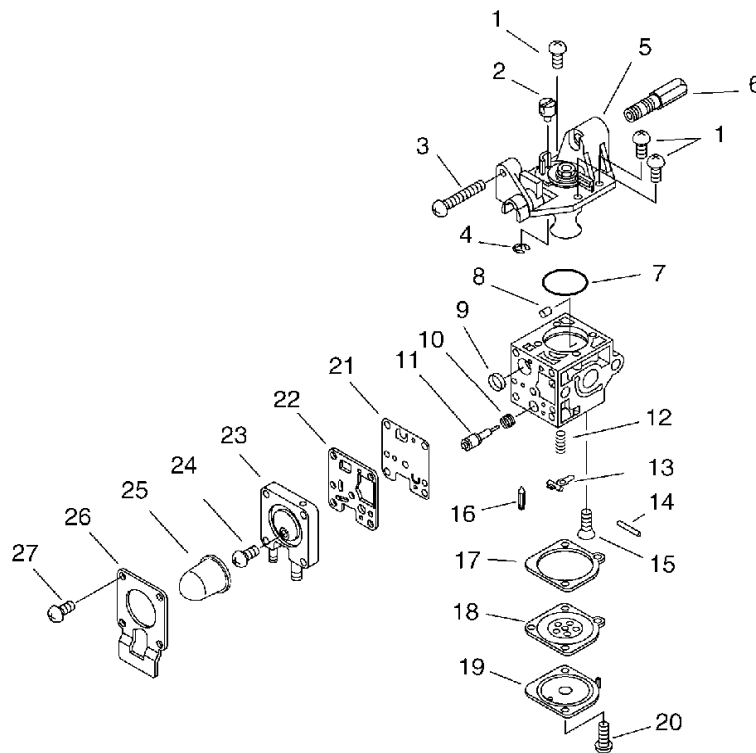
KEY	LV	PART NUMBER	Q'TY	DESCRIPTION	REMARKS	NOTE1	NOTE2
21	+	900162-04012	2	BOLT, H.S. 4*12	4*12 W,SW		
22	+	C629-000020	1	STOPPER, ROTATION			
23	+	900212-04012	2	SCREW 4*12	+SF4*12		
24	+	C465-000010	1	RESETTER, LATCH			
25	+	900560-00004	2	LOCKNUT	4		
26	+	900605-00004	2	WASHER, SPRING 4	4		
27	+	900105-05008	4	BOLT, H.S. 5*8	5*8		
28	+	C531-000302	1	CASE, GEAR	DRIVEN SIDE		
29	+	900560-00005	2	NUT, LOCK 5	5		
30	+	900600-00005	2	WASHER 5	5		
31	+	351305-12360	1	HANDLE			
32	++	351315-12360	1	GRIP, HANDLE	19*135		
33	+	900142-05028	2	BOLT 5*28 (W/W,SW)	5*28		
34	+	C534-000260	1	SHAFT, GEAR			
35	+	V651-000250	1	GEAR, BEVEL	25 TEETH		
36	+	V307-000150	2	WASHER, CIRCULAR 10	10.2*15.5*T=1		
37	+	V555-000040	2	BEARING, NEEDLE 10			
38	+	900516-00005	2	NUT, FRANGE 5	5		
39	+	880110-10860	2	NIPPLE, GREASE			
40	+	V541-000130	2	SEAL			
41	+	900855-06900	1	BEARING, BALL 6900	6900		
42	+	V583-000040	1	RING			
43	+	V651-000260	1	GEAR, BEVEL	35 TEETH		
44	+	900800-06001	1	BEARING, BALL 6001			

6-2. GEAR CASE, CUTTER



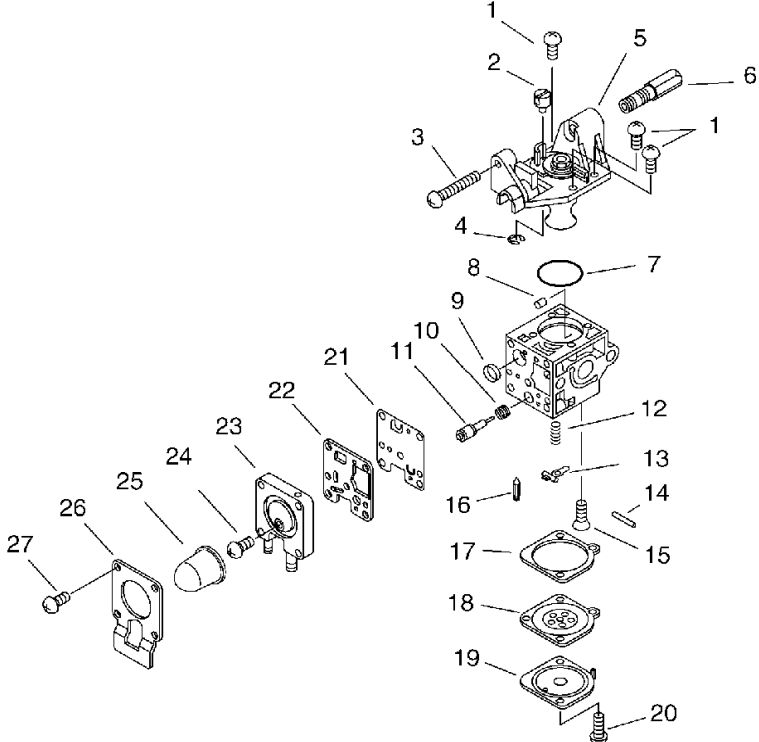
KEY	LV	PART NUMBER	Q'TY	DESCRIPTION	REMARKS	NOTE1	NOTE2
45	+	C503-000072	1	HOLDER,BEARING	28 BEARING SEAT		
46	+	C532-000140	2	ROD, CONNECTING	YAMASAKI		
46	+	C532-000120	2	ROD, CONNECTING			
47	+	C533-000041	1	CAM	HCA		
48	+	V110-000051	1	GASKET,GEAR CASE	HCA GEARCASE		
49	+	C539-000010	1	LID,GEARCASE	LID HCA-260 G.C.		
50	+	433022-06460	5	NUT			
51	+	699118-04560	4	WASHER			
52	+	C538-000120	1	GUIDE,CUTTER			
53	+	900212-05020	2	SCREW 5*20	+SF5*20		
54	+	C538-000110	1	GUIDE,CUTTER			
55	+	C538-000100	1	GUIDE,CUTTER			
56	+	X495-000200	1	SCABBARD,BLADE	L=540 (HCAS2200)		
57	+	X425-000220	1	SUPPORT,CUTTER	T=3.0		
58	+	X411-000350	2	CUTTER	L= 570		
59	+	699115-04660	3	BOLT 6	6*18L		
60	+	699115-07760	1	BOLT, CUTTER			
61	+	900162-04014	6	BOLT, H.S. 4*14	4*14 W,SW		

7. CARBURETOR



KEY	LV	PART NUMBER	Q'TY	DESCRIPTION	REMARKS	NOTE1	NOTE2
		A021-001460	1	CARBURETOR,DIAPHRAGM	RB-K87		
1	+	125344-13931	3	SCREW			
2	+	P005-001240	1	POST			
3	+	P005-000100	1	SCREW,THROTTLADJUST			
4	+	P005-000190	1	E-RING			
5	+	P005-001320	1	COVER ASY, ROTOR			
6	+	P005-002010	1	SCREW, WIRW ADJUST			
7	+	P005-000280	1	O-RING			
8	+	P005-001000	1	ROLLER, GUIDE			
9	+	P005-000010	1	STRAINER			
10	+	P005-001260	1	SCREW,MAINN MIXTURE			
11	+	P005-001250	1	RETAINER,PLUG BALL			
12	+	P005-000940	1	SPRING, METER. LEVER			
13	+	125323-08260	1	ARM, VALVE			
14	+	125338-13930	1	PIN, METERING ARM			
15	+	125339-42030	1	SCREW			
16	+	125337-08260	1	VALVE, INLET NEEDLE			
17	+	P005-000200	1	GASKET, METERING			
18	+	P005-001780	1	DIAPHRAGM			
19	+	125342-52130	1	COVER, DIAPHRAGM			
20	+	125344-52130	2	SCREW			
21	+	P005-000510	1	DIAPHRAGM, PUMP			
22	+	P005-000520	1	GASKET, PUMP			
23	+	P005-001890	1	BASE, ASY PRIMER			
24	+	P005-000270	1	SCREW			
25	+	125381-46730	1	PUMP, PRIMING			

7. CARBURETOR



KEY	LV	PART NUMBER	Q'TY	DESCRIPTION	REMARKS	NOTE1	NOTE2
26	+	P005-000250	1	RETAINER			
27	+	P005-001900	4	SCREW			



8. REPAIR KIT

KEY	LV	PART NUMBER	Q'TY	DESCRIPTION	REMARKS	NOTE1	NOTE2
		P005-001660	1	DIAPHRAGM/GASKET KIT			
1	+	P005-001780	1	DIAPHRAGM			
2	+	P005-000200	1	GASKET, METERING			
3	+	P005-000510	1	DIAPHRAGM, PUMP			
4	+	P005-000520	1	GASKET, PUMP			

Index

Patrs Number	Key No.	Patrs Number	Key No.	Patrs Number	Key No.
100013-11520	1 - 6	177200-54130	2 - 14	900162-05020	4 - 13
100013-11520	1 - 6	177202-44331	2 - 11	900162-05022	1 - 2
100014-11520	1 - 8	177215-44430	2 - 16	900162-05022	1 - 2
100014-11520	1 - 8	177218-44330	2 - 13	900162-05025	## - 16
100015-00120	3 - 23	177220-42030	2 - 20	900162-05028	1 - 14
100015-04630	1 - 7	177226-10120	2 - 17	900162-05028	1 - 14
100015-04630	1 - 7	177227-42030	2 - 18	900163-04016	1 - 20
100204-52132	1 - 9	177228-06530	2 - 19	900163-04016	1 - 20
100204-52132	1 - 9	177234-12220	2 - 12	900163-04016	2 - 21
100212-42031	1 - 10	177236-44330	2 - 15	900212-04012	## - 23
100212-42031	1 - 10	178003-52130	5 - 10	900212-05020	## - 53
100215-03930	1 - 11	178010-52130	5 - 16	900220-05065	3 - 10
100215-03930	1 - 11	178012-52730	5 - 9	900238-05010	1 - 32
100242-42030	1 - 13	178013-52630	5 - 7	900238-05010	1 - 32
100242-42030	1 - 13	178043-42230	5 - 15	900238-05016	1 - 17
125323-08260	7 - 13	178090-52632	5 - 8	900238-05016	1 - 17
125337-08260	7 - 16	178121-43230	5 - 26	900238-05022	3 - 4
125338-13930	7 - 14	210417-52730	3 - 13	900242-04010	3 - 14
125339-42030	7 - 15	301200-29430	5 - 17	900242-05012	## - 17
125342-52130	7 - 19	351213-52130	5 - 14	900242-05014	5 - 18
125344-13931	7 - 1	351305-12360	## - 31	900242-05025	5 - 13
125344-52130	7 - 20	351315-12360	## - 32	900242-05028	5 - 20
125381-46730	7 - 25	433022-06460	## - 50	900242-05035	5 - 12
129011-52730	3 - 9	610013-21560	5 - 22	900242-05040	5 - 4
130010-13410	3 - 5	610272-52130	5 - 19	900500-00005	3 - 2
130010-42032	3 - 1	610910-55230	1 - 26	900500-00005	5 - 11
130017-44331	3 - 3	610910-55230	1 - 26	900500-00005	5 - 11
130310-54130	3 - 11	610922-27432	1 - 28	900516-00005	## - 38
130313-06563	3 - 12	610922-27432	1 - 28	900529-00008	## - 2
131004-55530	4 - 8	699115-04660	## - 59	900560-00004	## - 25
131016-55830	4 - 9	699115-07760	## - 60	900560-00005	## - 29
131051-56030	4 - 10	699118-04560	## - 51	900600-00005	3 - 19
131205-07320	4 - 7	880110-10860	## - 39	900600-00005	## - 30
132011-03360	4 - 4	890152-04930	5 - 2	900603-00005	4 - 12
132012-12361	4 - 6	890157-39130	5 - 25	900605-00004	## - 26
132012-56030	4 - 5	890332-52730	3 - 8	900701-00012	1 - 24
132112-22031	1 - 31	890617-12361	5 - 1	900701-00012	1 - 24
132112-22031	1 - 31	895112-00330	4 - 17	900702-00022	## - 11
145806-42030	3 - 20	895410-03930	4 - 14	900702-00028	1 - 22
145862-40630	3 - 17	895610-00130	4 - 15	900702-00028	1 - 22
145866-42031	3 - 16	895612-03430	4 - 16	900724-00032	## - 20
156110-54930	2 - 3	900105-05008	## - 27	900800-06001	## - 44
156112-40630	2 - 2	900105-05055	3 - 18	900807-96001	1 - 23
159011-03432	2 - 7	900142-05025	1 - 29	900807-96001	1 - 23
159012-01620	2 - 6	900142-05025	1 - 29	900855-06900	## - 41
162010-52830	2 - 1	900142-05028	## - 33	900859-06900	## - 13
175000-56831	2 - 9	900162-04012	## - 21	91107-04008	3 - 21
175005-48931	1 - 21	900162-04014	## - 61	93000-16180	## - 1
175005-48931	1 - 21	900162-04020	2 - 4	94035-36201	1 - 12

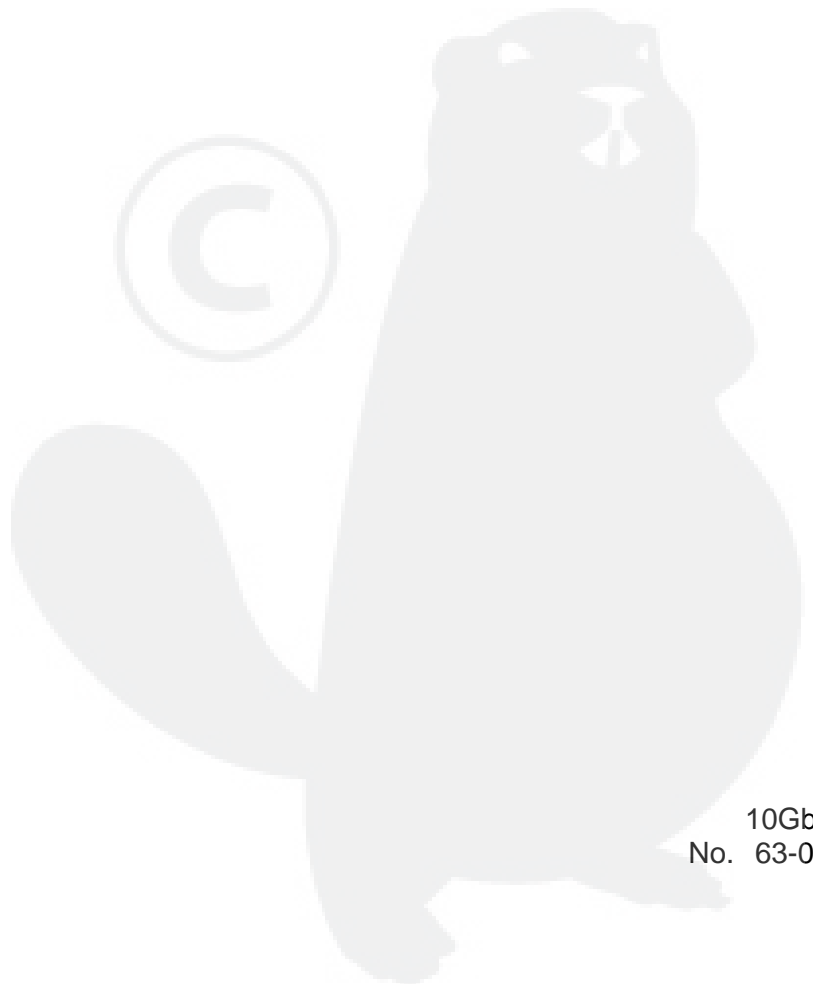
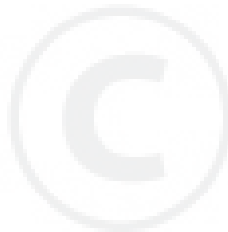
Index

Patrs Number	Key No.	Patrs Number	Key No.	Patrs Number	Key No.
94035-36201	1 - 12	P005-000520	8 - 4	V651-000260	## - 43
A011-000101	1 - 15	P005-000940	7 - 12	X411-000350	## - 58
A011-000101	1 - 15	P005-001000	7 - 8	X425-000220	## - 57
A021-001460	3 - 6	P005-001240	7 - 2	X495-000200	## - 56
A021-001460	7 -	P005-001250	7 - 11	X502-000330	2 - 22
A101-000090	1 - 5	P005-001260	7 - 10	X547-000380	1 - 30
A101-000090	1 - 5	P005-001320	7 - 5	X547-000380	1 - 30
A130-000540	1 - 1	P005-001660	8 -	X690-000050	4 - 18
A130-000540	1 - 1	P005-001780	7 - 18		
A160-000570	1 - 19	P005-001780	8 - 1		
A160-000570	1 - 19	P005-001890	7 - 23		
A162-000050	1 - 18	P005-001900	7 - 27		
A162-000050	1 - 18	P005-002010	7 - 6		
A226-001410	3 - 11	P021-000991	3 - 7		
A313-000580	3 - 15	P021-007712	1 - 4		
A350-000291	4 - 11	P021-007712	1 - 4		
A356-000030	4 - 1	P021-008322	5 - 3		
A409-000210	2 - 10	P021-010510	1 - 25		
A411-000140	2 - 5	P021-010510	1 - 25		
A425-000000	2 - 8	P021-010521	## -		
A575-000100	1 - 27	P021-015350	3 - 24		
A575-000100	1 - 27	V043-000191	5 - 23		
C050-000350	5 - 21	V100-000160	1 - 3		
C050-000350	5 - 21	V100-000160	1 - 3		
C423-000190	5 - 5	V104-000500	3 - 22		
C465-000010	## - 24	V110-000040	## - 6		
C503-000072	## - 45	V110-000051	## - 48		
C531-000292	## - 18	V137-000030	4 - 3		
C531-000302	## - 28	V306-000140	## - 3		
C532-000120	## - 46	V307-000150	## - 36		
C532-000140	## - 46	V340-000110	## - 5		
C533-000041	## - 47	V340-000120	## - 19		
C534-000260	## - 34	V340-000170	## - 15		
C538-000100	## - 55	V347-000010	## - 4		
C538-000110	## - 54	V355-000310	## - 8		
C538-000120	## - 52	V450-000420	## - 9		
C539-000010	## - 49	V471-001200	4 - 2		
C629-000020	## - 22	V541-000130	## - 40		
P005-000010	7 - 9	V553-000010	1 - 16		
P005-000100	7 - 3	V553-000010	1 - 16		
P005-000190	7 - 4	V553-000060	1 - 16		
P005-000200	7 - 17	V553-000060	1 - 16		
P005-000200	8 - 2	V555-000040	## - 37		
P005-000250	7 - 26	V583-000040	## - 42		
P005-000270	7 - 24	V583-000050	## - 7		
P005-000280	7 - 7	V583-000060	## - 12		
P005-000510	7 - 21	V642-000020	## - 10		
P005-000510	8 - 3	V651-000240	## - 14		
P005-000520	7 - 22	V651-000250	## - 35		

YAMABIKO CORPORATION

7-2 SUEHIROCHO 1-CHOME, OHME, TOKYO 198-8760, JAPAN
PHONE: 81-428-32-6118. FAX: 81-428-32-6145.

ECHO[®]



10Gb
No. 63-048