

A large, faint watermark of a beaver is centered in the background of the page. The beaver is shown in profile, facing right, with its characteristic long tail and small ears.

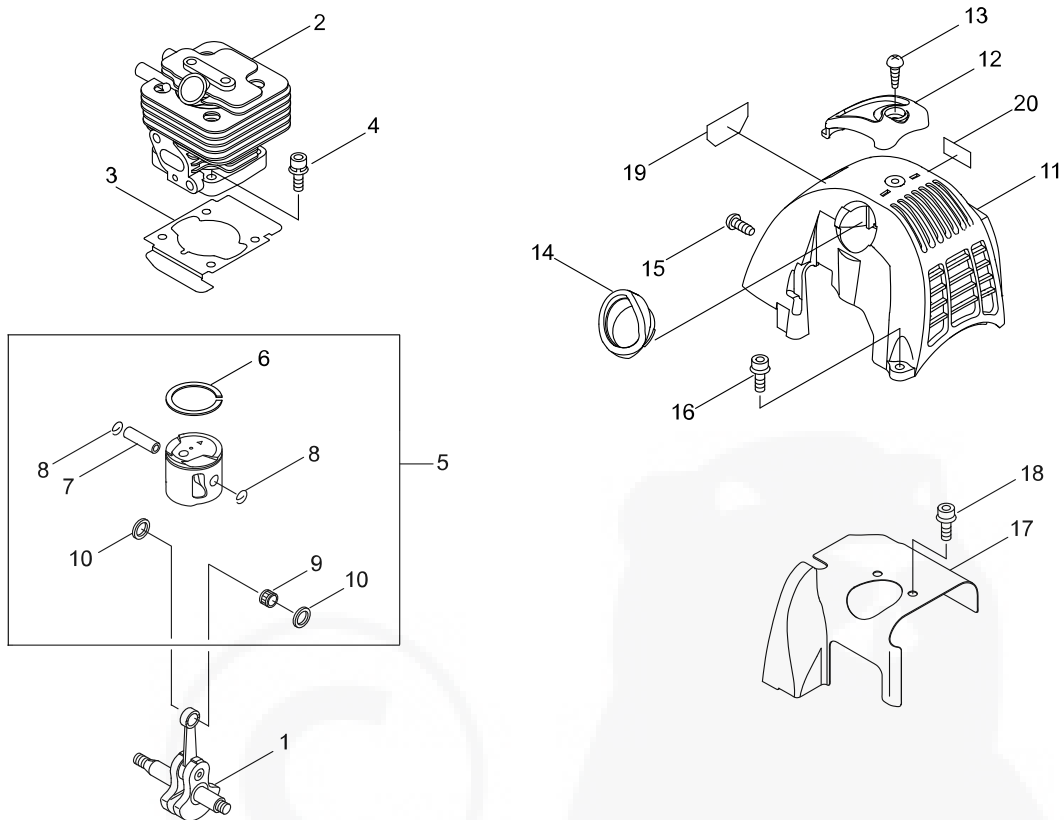
**PARTS CATALOG**  
**SHAFT HEDGE TRIMMER**  
**HCA-265ES-LW(37)**

**37100001 -**

**CE**

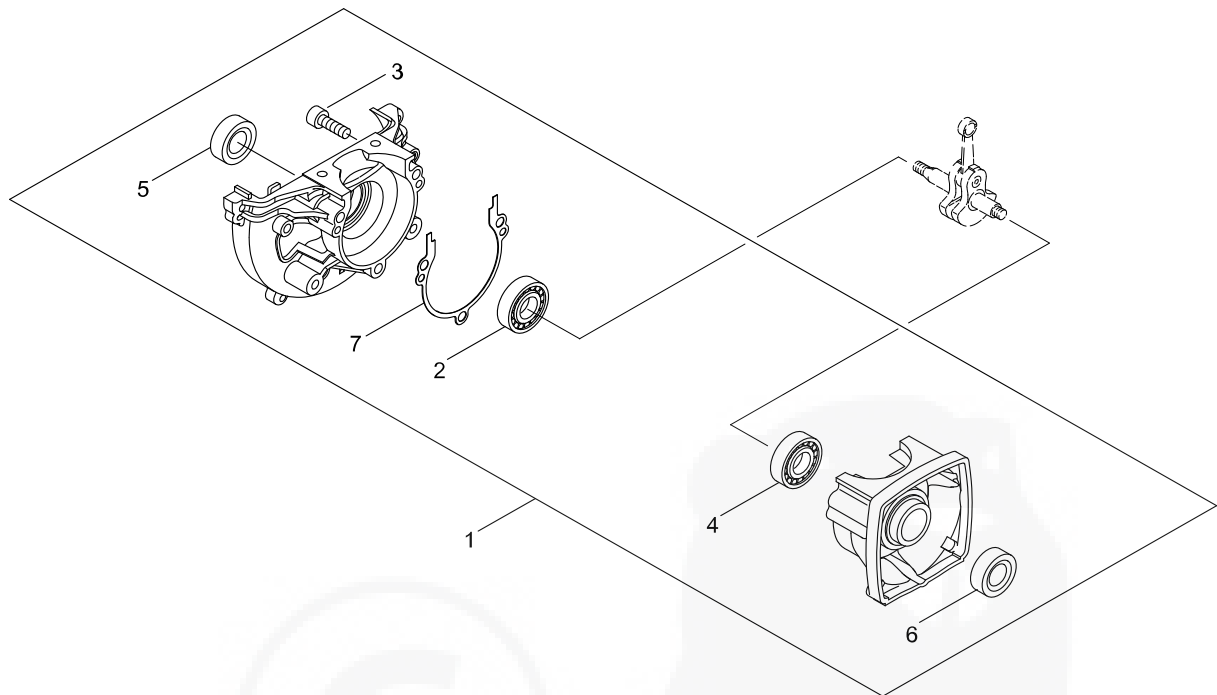
P014-004060-14Gb

# 1. CYLINDER, PISTON, CRANKSHAFT



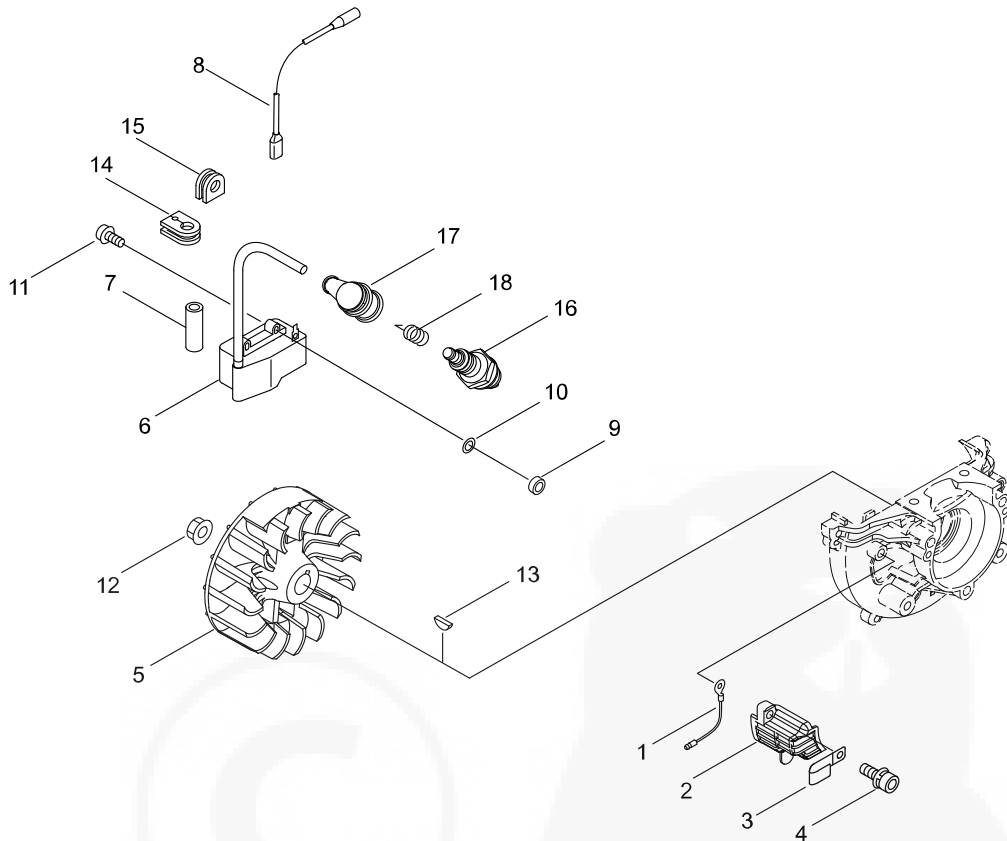
KEY	LV	PART NUMBER	Q'TY	DESCRIPTION	REMARKS	NOTE1	NOTE2
1		A011-000434	1	CRANKSHAFT,ASY			
2		A130-000761	1	CYLINDER			
3		V100-000210	1	GASKET,CYL	T0.5 38.1		
4		900162-05025	4	BOLT, H.S. 5*25	5*25 W,SW		
5		P021-009771	1	PISTON KIT			
6	+	A101-000170	1	RING, PISTON	34*1.5*1.5		
7	+	100013-35430	1	PIN, PISTON	6*9*27.8		
8	+	100015-03931	2	CIRCLIP, PISTON PIN			
9	+	100012-16131	1	BEARING, NEEDLE			
10	+	100014-53630	2	SPACER, PISTON PIN			
11		A160-000780	1	COVER,CYLINDER			
12		A162-000100	1	GUARD, TOP			
13		900256-05016	1	SCREW, TAPPING	5*16		
14		A162-000080	1	GUARD, TOP			
15		91140-05012	1	BOLT	M5*12		
16		900106-05014	1	BOLT, H.S. 5*14	5*14		
17		A160-000691	1	COVER,CYLINDER			
18		900106-05008	2	BOLT, H.S. 5* 8	5*8		
19		X547-000930	1	LABEL,ECHO	ECHO+HCA-265ES		
20		X505-007710	1	LABEL,CAUTION			

## 2. CRANKCASE



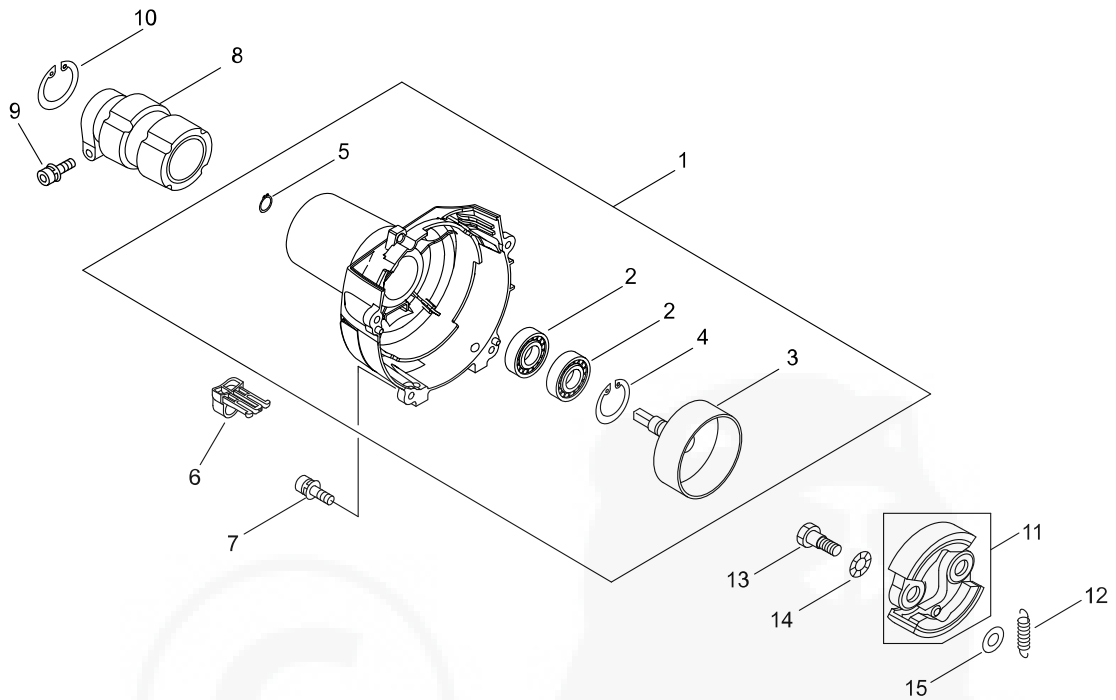
KEY	LV	PART NUMBER	Q'TY	DESCRIPTION	REMARKS	NOTE1	NOTE2
1		P021-010801	1	CRANKCASE KIT			
2	+	94035-36201	1	BEARING BALL	6201X3JR2C3		
3	+	900162-05028	3	BOLT, H.S. 5*28	5*28 W,SW		
4	+	94035-36201	1	BEARING BALL	6201X3JR2C3		
5	+	100212-42031	1	OILSEAL	ISCD 12*22*4.5		
6	+	V505-000050	1	SEAL,OIL 12			
7	+	100242-42030	1	GASKET, CRANKCASE			

## 3. MAGNETO



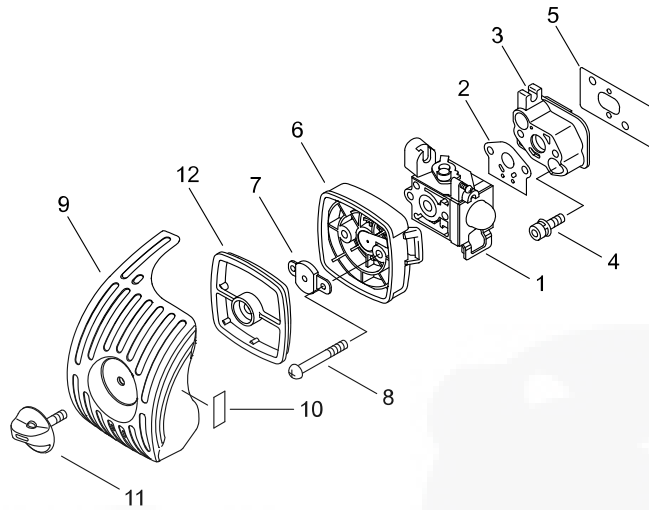
KEY	LV	PART NUMBER	Q'TY	DESCRIPTION	REMARKS	NOTE1	NOTE2
1		156635-43130	1	LEAD, GROUND			
2		A127-000160	1	COVER,DUST			
3		159116-21231	1	CLAMP			
4		900162-05016	1	BOLT, H.S. 5*16	5*16 W,SW		
5		A409-001222	1	ROTOR, MAGNETO	ID:C10744		
6		A411-000251	1	COIL, IGNITION	ID#C10048		
7		V475-003380	1	TUBE			
8		162010-04561	1	LEAD, GROUND	210L		
9		V322-000031	2	WASHER,CIRCULAR 4			
10		900603-00004	2	WASHER 4	4.5*10*0.8		
11		V202-000130	2	BOLT,4	CBF-4*20		
12		900515-00008	1	NUT, FLANGE 8	8		
13		100142-12330	1	KEY, WOODRUFF			
14		V135-000030	1	GROMMET,HT CORD			
15		156110-04920	1	BUSHING			
16		A425-000000	1	SPARKPLUG	BPMR8Y		
17		A427-000013	1	CAP, SPARK PLUG			
18		A426-000010	1	TERMINAL, SPARKPLUG			

## 4. CLUTCH



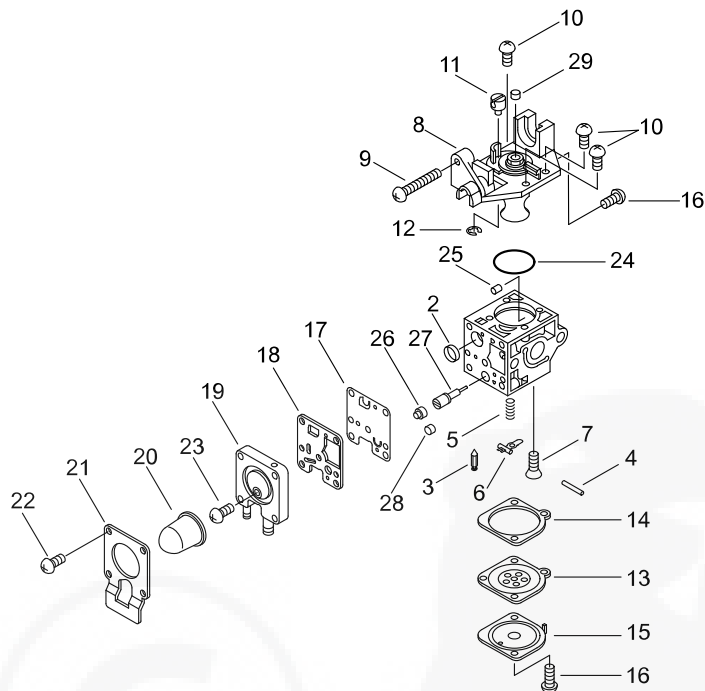
KEY	LV	PART NUMBER	Q'TY	DESCRIPTION	REMARKS	NOTE1	NOTE2
1		P021-047710	1	COVER ASY, FAN			
2	+	900807-06001	2	BEARING, BALL 6001	6001V(LB)		
3	+	A556-000390	1	DRUM, CLUTCH			
4	+	900702-00028	1	CIRCLIP 28	CR-28		
5	+	900701-00012	1	CIRCLIP 12	CS-12		
6		V491-000180	1	CLIP			
7		900163-04016	4	BOLT HSH			
8		A575-000110	1	FIXTURE, MAIN PIPE			
9		900162-05028	1	BOLT, H.S. 5*28	5*28 W,SW		
10		900702-00042	1	CIRCLIP 42	CR-42		
11		P021-046900	1	CLUTCH SHOE SET			
12		V451-001390	1	SPRING, TENSION			
13		175046-56030	2	SHAFT, CLUTCH			
14		175049-56030	2	WASHER	8.5*16*0.5		
15		175048-05530	2	WASHER (I)	6.2*19*1.0		

## 5. AIR CLEANER, CARBURETOR



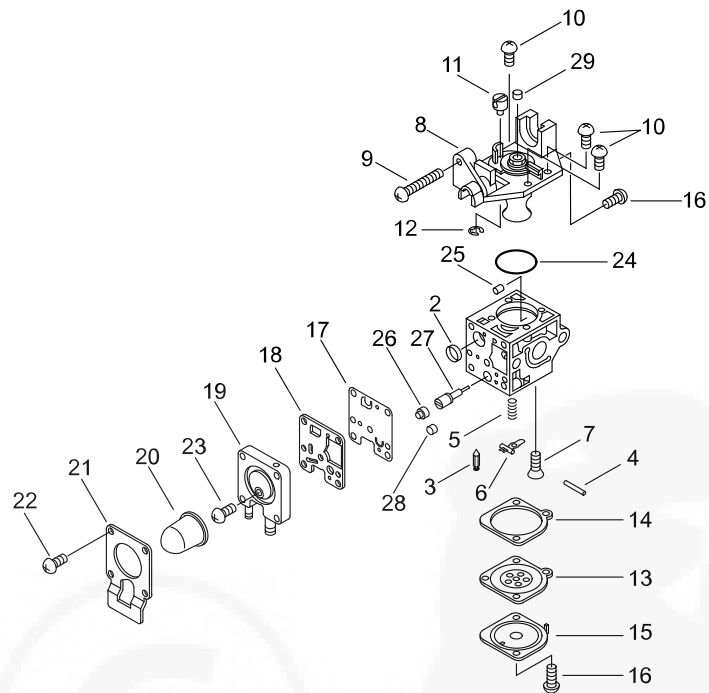
KEY	LV	PART NUMBER	Q'TY	DESCRIPTION	REMARKS	NOTE1	NOTE2
1		A021-001742	1	CARBURETOR,DIAPHRAGM	ZAMA RB-K94		
2		V103-000270	1	GASKET,INTAKE	T1.5-11		
3		A200-000200	1	INSULATOR,INTAKE			
4		900162-05025	2	BOLT, H.S. 5*25	5*25 W,SW		
5		V103-000210	1	GASKET,INTAKE			
6		P021-004480	1	CASE, AIR CLEANER			
7		129011-52730	1	PLATE, PREVENT			
8		900242-05065	2	SCREW 5*65	5*65		
9		A232-000330	1	LID,CLEANER			
10		890332-52730	1	LABEL, CHOKE			
11	+	V299-000250	1	KNOB,FASTENER			
12		A226-001410	1	ELEMENT,AIR FILTER			

## 6. CARBURETOR



KEY	LV	PART NUMBER	Q'TY	DESCRIPTION	REMARKS	NOTE1	NOTE2
		A021-001742	1	CARBURETOR,DIAPHRAGM	ZAMA RB-K94		
2	+	P005-000010	1	STRAINER			
3	+	125337-08260	1	VALVE, INLET NEEDLE			
4	+	125338-13930	1	PIN, METERING ARM			
5	+	125322-07260	1	SPRING, COIL			
6	+	125323-08260	1	ARM, VALVE			
7	+	125339-42030	1	SCREW			
8	+	P005-002070	1	COVER ASY, ROTOR			
9	+	P005-000100	1	SCREW,THROTTLEADJUST			
10	+	125344-13931	3	SCREW			
11	+	P005-001240	1	POST			
12	+	P005-000190	1	E-RING			
13	+	P005-002230	1	DIAPHRAGM ,METERING			
14	+	P005-000200	1	GASKET, METERING			
15	+	125342-52130	1	COVER, DIAPHRAGM			
16	+	125344-52130	3	SCREW			
17	+	P005-000510	1	DIAPHRAGM, PUMP			
18	+	P005-000520	1	GASKET, PUMP			
19	+	P005-001890	1	BASE, ASY PRIMER			
20	+	P005-003110	1	PUMP, PRIMER			
21	+	P005-000250	1	RETAINER			
22	+	P005-001900	4	SCREW			
23	+	P005-000270	1	SCREW			
24	+	P005-000280	1	O-RING			
25	+	P005-001000	1	ROLLER, GUIDE			

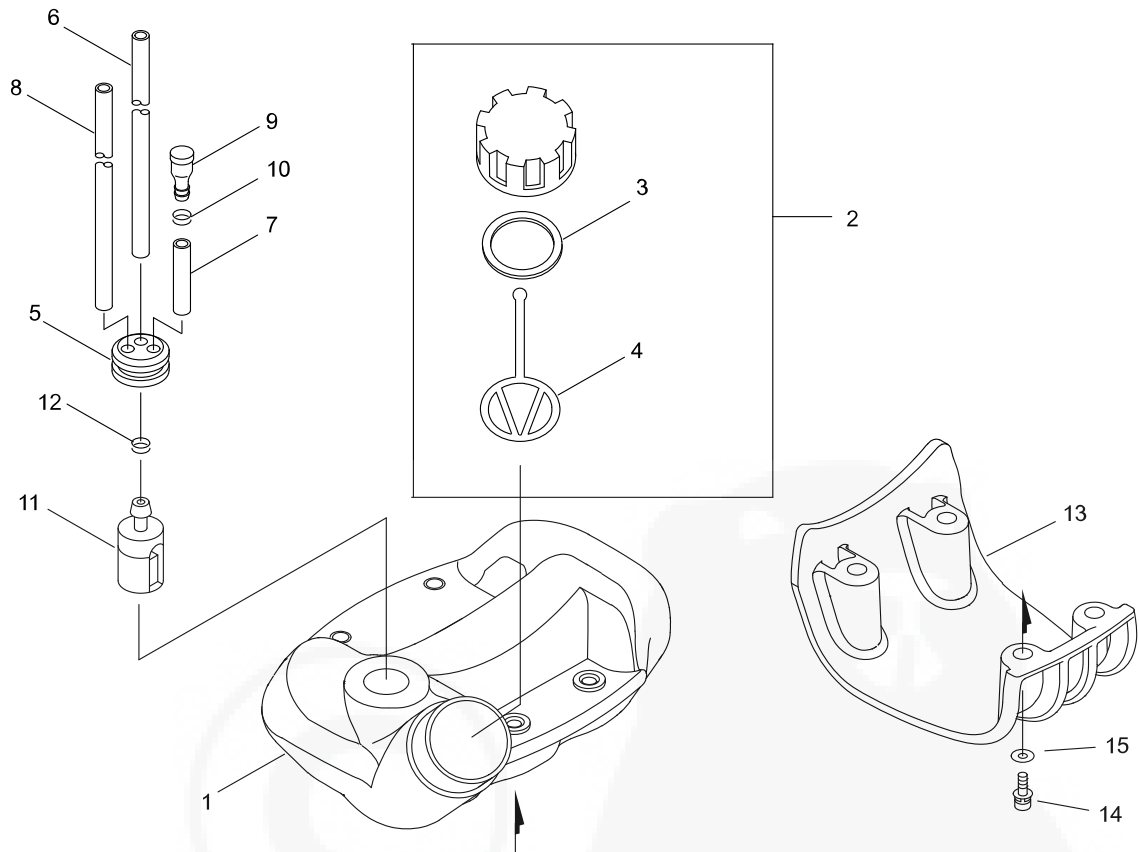
## 6. CARBURETOR



KEY	LV	PART NUMBER	Q'TY	DESCRIPTION	REMARKS	NOTE1	NOTE2
26	+	P005-001250	1	RETAINER,PLUG BALL			
27	+	P005-001290	1	SCREW,MAINN MIXTURE			
28	+	P005-001270	1	PLUG, H AJUST SCREW			
29	+	A259-000010	1	CAP,LIMITER			

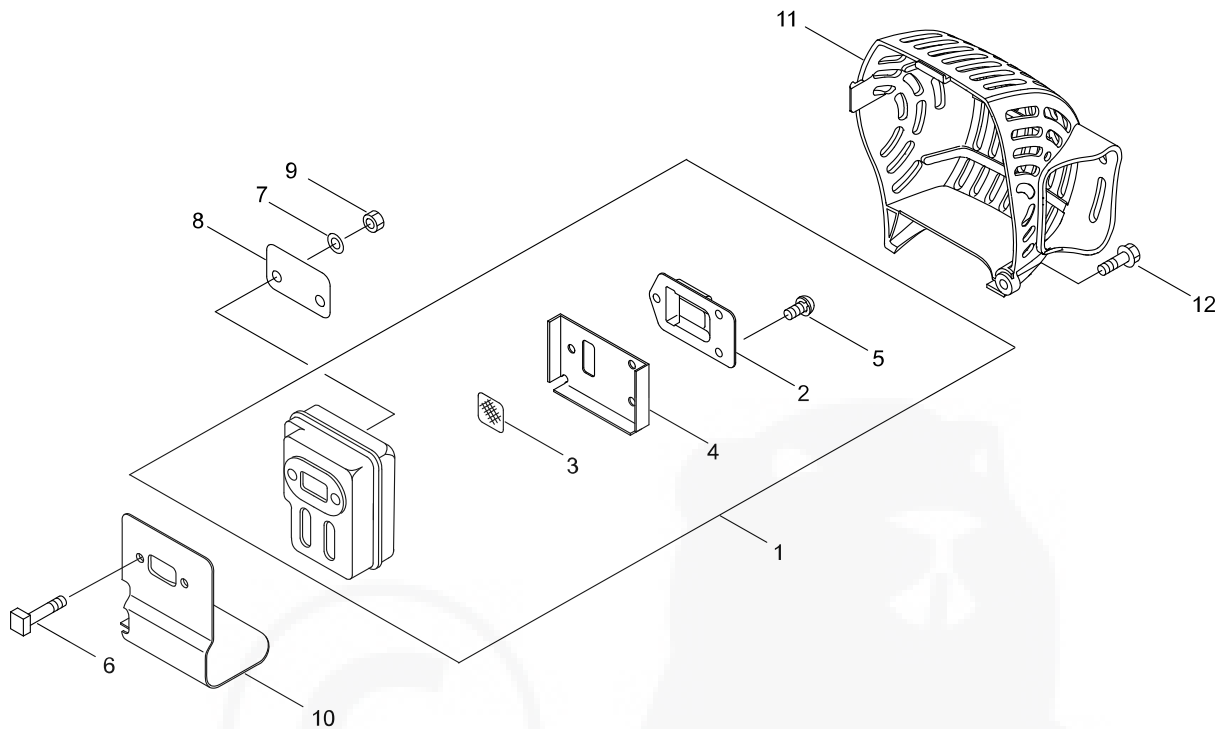


## 7. FUEL TANK



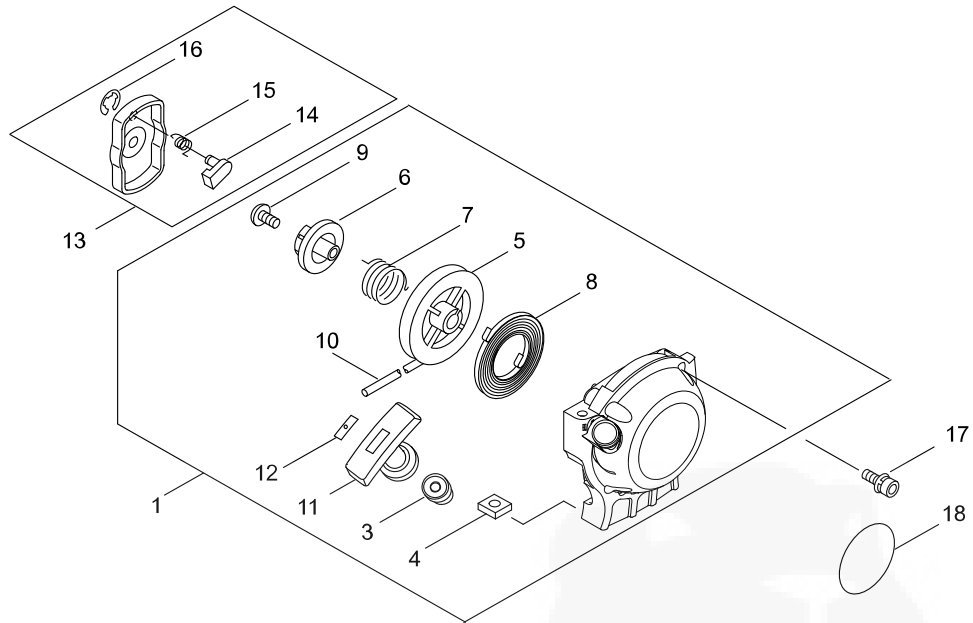
KEY	LV	PART NUMBER	Q'TY	DESCRIPTION	REMARKS	NOTE1	NOTE2
1		A350-000440	1	TANK, FUEL			
2		131004-55530	1	CAP ASSY, FUEL TANK			
3	+	131016-55830	1	GASKET, FUEL CAP			
4	+	131051-56030	1	CLIP, FUEL CAP	100L		
5		132115-55930	1	GROMMET, FUEL			
6		V470-000580	1	PIPE	3*5*195		
7		V471-001180	1	PIPE	3*6*35 NBR		
8		132010-40830	1	PIPE 3* 6* 75	3*6*75 YL		
9		A356-000031	1	VALVE.CHECK			
10		V490-001230	1	CLIP			
11		A369-000001	1	STRAINER, FUEL	125-528		
12		V490-001240	1	CLIP			
13		A175-000030	1	STAND			
14		900162-05025	4	BOLT, H.S. 5*25	5*25 W,SW		
15		900603-00005	4	WASHER 5	5.5*12*0.8		

## 8. MUFFLER



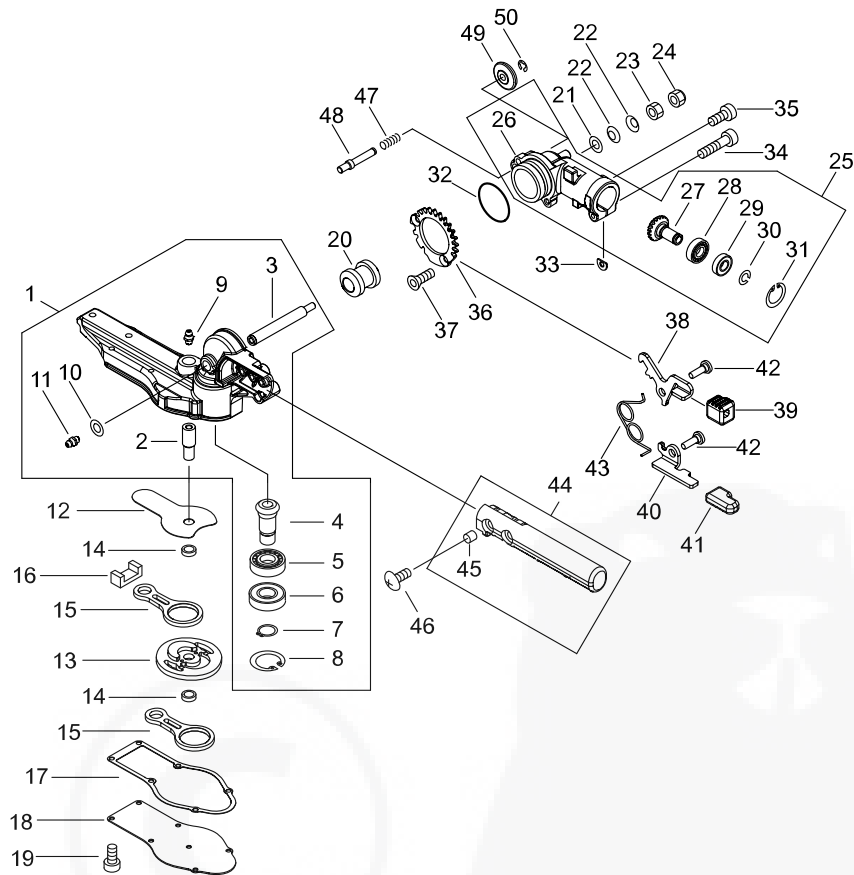
KEY	LV	PART NUMBER	Q'TY	DESCRIPTION	REMARKS	NOTE1	NOTE2
1		P021-011580	1	MUFFLER ASY			
2	+	A313-000830	1	GUIDE, EXHAUST	ID#1330		
3	+	145862-40630	1	SCREEN, MUFFLER			
4	+	V104-000790	1	GASKET, EXHAUST			
5	+	91367-04010	3	SCREW	4*10/SW(SUS)		
6		V203-000120	2	BOLT, 5	L=60		
7		92280-05000	2	WASHER, NORD-LOCK	NL5 5.4*9*1.8		
8		V150-001760	1	PLATE, EYE			
9		900500-00005	2	NUT 5	5		
10		V104-000780	1	GASKET, EXHAUST			
11		A320-000341	1	COVER, MUFFLER			
12		900106-05014	1	BOLT, H.S. 5*14	5*14		

## 9. RECOIL STARTER, PULLEY



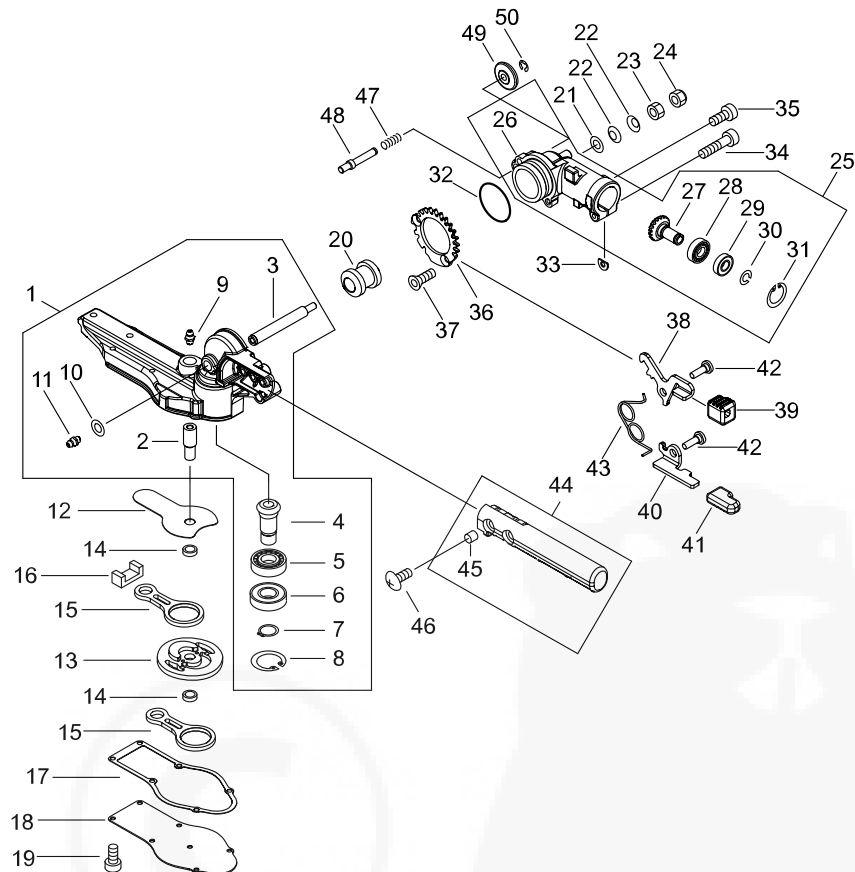
KEY	LV	PART NUMBER	Q'TY	DESCRIPTION	REMARKS	NOTE1	NOTE2
1		A051-000941	1	STARTER,RECOIL			
3	+	177227-42030	1	GUIDE, ROPE			
4	+	P022-022010	4	NUT			
5	+	P022-027980	1	DRUM, STARTER			
6	+	P022-028000	1	PLATE, CAM			
7	+	P022-008270	1	SPRING,DAMPER			
8	+	177220-42030	1	SPRING, REWIND			
9	+	177236-61830	1	SCREW			
10	+	P022-008260	1	ROPE	3M/M		
11	+	177228-27030	1	GRIP, STARTER			
12	+	P022-037670	1	STOPPER, ROPE			
13		A052-000180	1	PULLEY,ASM STARTER			
14	+	P022-006850	2	PAWL, STARTER			
15	+	P022-006510	2	SPRING, RETURN			
16	+	P022-002100	2	E-RING	4		
17		900163-04016	4	BOLT HSH			
18		X502-000330	1	LABEL,ECHO	ECHO		

## 10. GEAR CASE



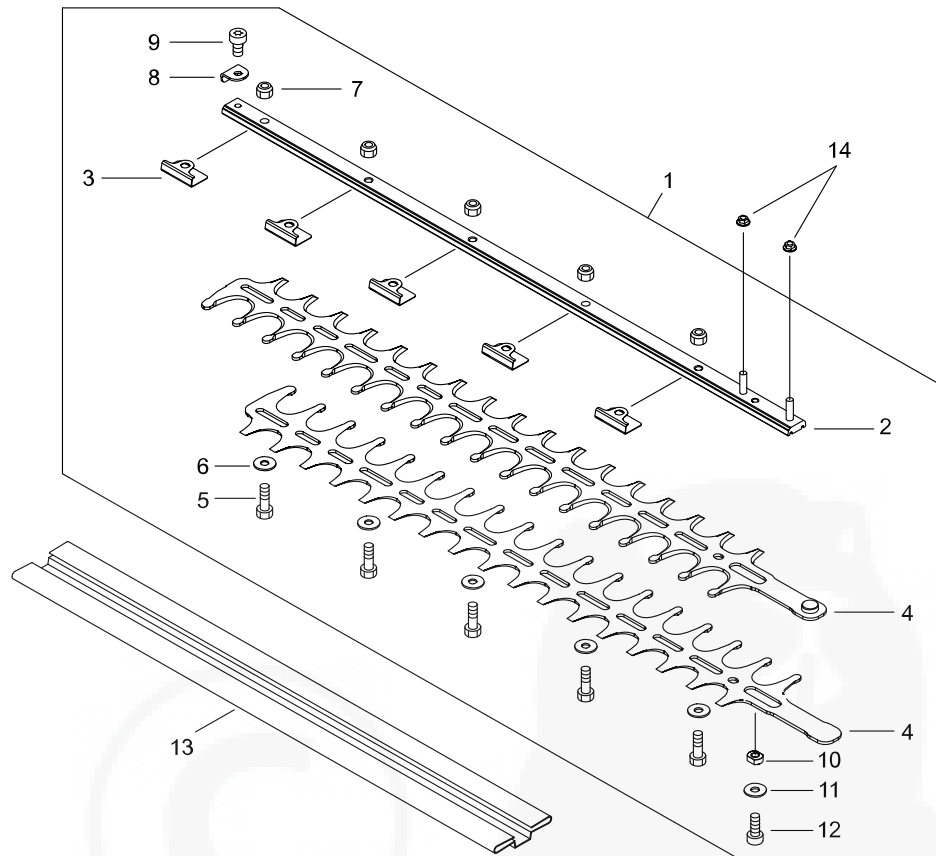
KEY	LV	PART NUMBER	Q'TY	DESCRIPTION	REMARKS	NOTE1	NOTE2
1		P021-047560	1	ギヤケース ASY			
2	+	C534-001060	1	ギヤシャフト			
3	+	C534-001010	1	ギヤシャフト	10 M6-M6		
4	+	V655-000090	1	ヒニオンシャフト			
5	+	900800-36002	1	BEARING, BALL 6002	6002		
6	+	94004-36002	1	ボールベアリング	BB6002ZZ/C3		
7	+	900701-00014	1	CIRCLIP 14	CS-14		
8	+	92424-32000	1	SNAP RING			
9	+	V187-000080	1	GREASE NIPPLE			
10	+	900603-00006	1	WASHER 6	6.5*13*1		
11	+	V187-000080	1	GREASE NIPPLE			
12		V150-003940	1	アイプレート	T0.6		
13		V650-000660	1	スパークギヤ			
14		V356-000730	2	カラー	9.5*13*L4		
15		C532-000360	2	コネクティング ロット			
16		V541-000570	1	シール			
17		V110-000180	1	ギヤケースガスケット			
18		C539-000130	1	ギヤケースリット	T1.2		
19		V804-000110	7	トルクス4ボルト	TB-4*10 12.9		
20		P021-047570	1	ベベルギヤSET			
21		900603-00006	1	WASHER 6	6.5*13*1		
22		V347-000030	2	CONE WASHER			
23		900502-00006	1	NUT 6 (3N)	3N6		
24		900560-00006	1	NUT, LOCK	6		
25		P021-047820	1	CASE ASY, GEAR			

## 10. GEAR CASE



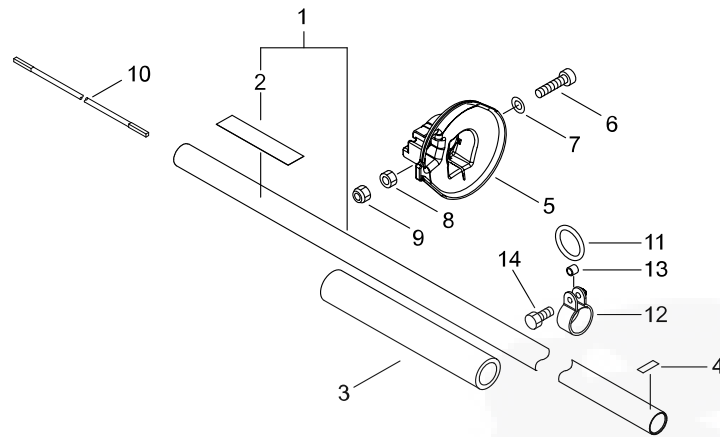
KEY	LV	PART NUMBER	Q'TY	DESCRIPTION	REMARKS	NOTE1	NOTE2
26	+	C531-001040	1	CASE,GEAR			
27	+	V651-001000	1	GEAR,BEVEL			
28	+	900855-06901	1	BEARING, BALL 6901	6901		
29	+	900859-06901	1	BEARING, BALL	6901		
30	+	900706-00012	1	CIRCLIP 12	WR-12		
31	+	92424-24000	1	SNAP RING			
32		900724-00035	1	O-RING 35			
33		V340-000300	1	SHIM			
34		V805-000170	1	BOLT, TORX 5	TB-5*25 10.9		
35		V805-000130	1	BOLT, TORX 5	TB-5*10 10.9		
36		C465-000030	1	ラッチ リセツタ			
37		900175-05012	2	BOLT, H.S.H	5*12		
38		C661-000150	1	リリースレバ -	T3.2		
39		V494-000880	1	キャツフ			
40		C661-000080	1	SAFTY LEVER			
41		V494-000890	1	キャツフ			
42		V204-000580	2	PIN RATCHET			
43		V452-000710	1	COIL SPRING			
44		C403-000480	1	HANDLE			
45	+	V354-000320	2	COLLAR			
46		91463-06020	2	SCREW TRUSS			
47		V450-001930	1	コンパ レツシヨシ スワ リンク			
48		C226-000070	1	コントロールピシ			
49		M613-000250	1	ワ			
50		900700-00005	1	E-RING 5	CE-5		

## 11. CUTTING BLADE



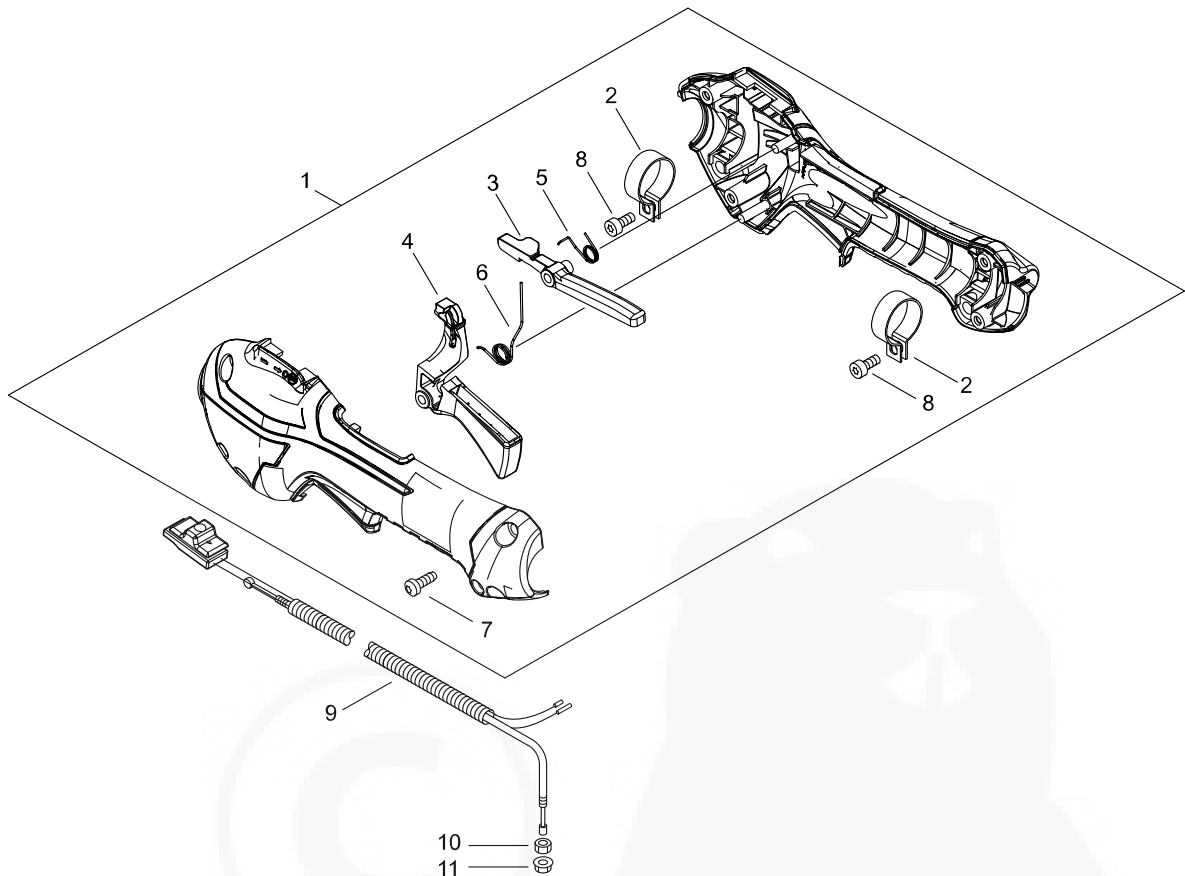
KEY	LV	PART NUMBER	Q'TY	DESCRIPTION	REMARKS	NOTE1	NOTE2
1		X041-000510	1	アセンブリカッタ			
2	+	X425-000920	1	カッターサポート	600MM		
3	+	X425-000930	5	カッターサポート	T0.5		
4	+	X411-001320	2	カッタ	600MM T2.0		
5	+	V204-000570	5	BOLT			
6	+	V304-000240	5	WASHER			
7	+	433022-06460	5	NUT			
8	+	J447-001050	1	ガード	T1.6		
9	+	V805-000120	1	BOLT, TORX 5	TB-5*8 10.9		
10	+	V376-002130	1	スペーサ			
11	+	V304-000240	1	WASHER			
12	+	V805-000250	1	BOLT, TORX 5	TB-5*16 12.9		
13		X495-000570	1	SCABBARD, BLADE			
14		V263-000330	2	FLANGE NUT			

## 12. MAIN PIPE



KEY	LV	PART NUMBER	Q'TY	DESCRIPTION	REMARKS	NOTE1	NOTE2
1		P021-047730	1	MAIN PIPE ASY			
2	+	890617-12361	1	LABEL, CAUTION			
3		351012-54330	1	GRIP			
4		890152-04930	1	LABEL, CAUTION			
5		C440-000100	1	ハンドガード			
6		V805-000060	1	BOLT, TORX 5	TB-5*35 10.9		
7		900603-00005	1	WASHER 5	5.5*12*0.8		
8		900500-00005	1	NUT 5	5		
9		900562-00005	1	NUT, LOCK	5		
10		C506-000390	1	SHAFT, FLEXIBLE	59.920 LNG		
11		301016-52730	1	RING, HARNESS			
12		301207-08930	1	HOOK			
13		699012-03330	1	SPACER			
14		900100-05018	1	BOLT 5*18	5*18		

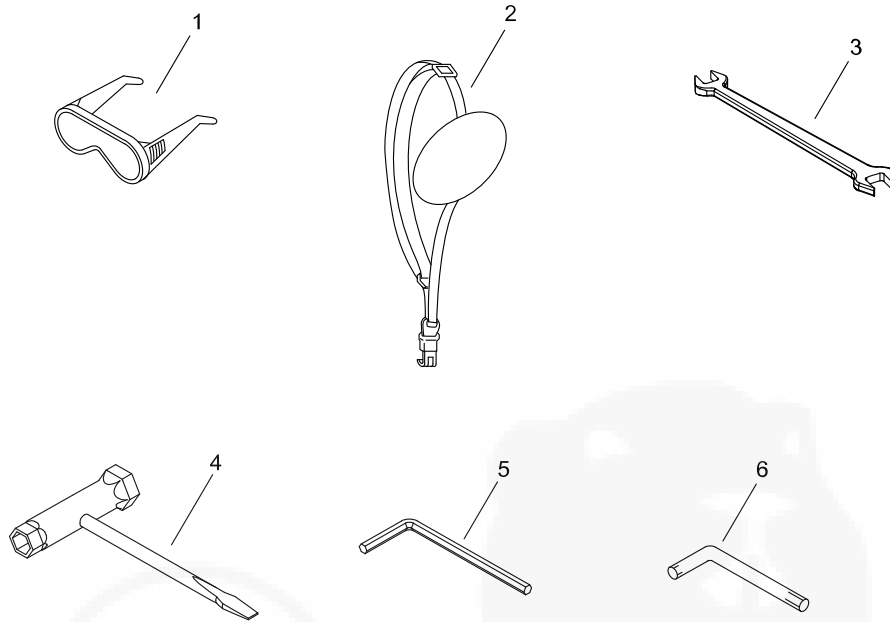
## 13. THROTTLE



KEY	LV	PART NUMBER	Q'TY	DESCRIPTION	REMARKS	NOTE1	NOTE2
1		P021-047690	1	GRIP ASY			
2	+	V495-003020	2	BAND			
3	+	C460-000441	1	LOCKOUT, THROTTLE			
4	+	C453-000482	1	LEVER, THROTTLE	SRM-225 REDESIGN		
5	+	V452-001510	1	SPRING, TORSION	LOCKOUT LEVER		
6	+	V452-001520	1	SPRING, TORSION	THROTTLE LEVER		
7	+	V805-000000	4	BOLT, TORX 5	TT-5*16 DG 10.9		
8	+	V805-000150	2	BOLT, TORX 5	TB-5*16 10.9		
9		P021-047700	1	CABLE ASY, CONTROL			
10		900502-00006	1	NUT 6 (3N)	3N6		
11		900518-00006	1	NUT, FLANGE	6		



14. ACCESSORIES



KEY	LV	PART NUMBER	Q'TY	DESCRIPTION	REMARKS	NOTE1	NOTE2
1		X690-000080	1	GOGGLE	SI CHINA, Z87.1		
2		C062-000100	1	HARNES,SHOULDER			
3		895112-00330	1	SPANNER 8*10			
4		895410-03930	1	WRENCH, W/S. DRIVER			
5		X605-000100	1	TOOL,L WRENCH	4MM M5		
6		X605-000170	1	TOOL,L WRENCH			

**Index**

<b>Patrs Number</b>	<b>Key No.</b>	<b>Patrs Number</b>	<b>Key No.</b>	<b>Patrs Number</b>	<b>Key No.</b>
100012-16131	1 - 9	900162-05025	5 - 4	A130-000761	1 - 2
100013-35430	1 - 7	900162-05025	7 - 14	A160-000691	1 - 17
100014-53630	1 - 10	900162-05028	2 - 3	A160-000780	1 - 11
100015-03931	1 - 8	900162-05028	4 - 9	A162-000080	1 - 14
100142-12330	3 - 13	900163-04016	4 - 7	A162-000100	1 - 12
100212-42031	2 - 5	900163-04016	9 - 17	A175-000030	7 - 13
100242-42030	2 - 7	900175-05012	10 - 37	A200-000200	5 - 3
125322-07260	6 - 5	900242-05065	5 - 8	A226-001410	5 - 12
125323-08260	6 - 6	900256-05016	1 - 13	A232-000330	5 - 9
125337-08260	6 - 3	900500-00005	8 - 9	A259-000010	6 - 29
125338-13930	6 - 4	900500-00005	12 - 8	A313-000830	8 - 2
125339-42030	6 - 7	900502-00006	10 - 23	A320-000341	8 - 11
125342-52130	6 - 15	900502-00006	13 - 10	A350-000440	7 - 1
125344-13931	6 - 10	900515-00008	3 - 12	A356-000031	7 - 9
125344-52130	6 - 16	900518-00006	13 - 11	A369-000001	7 - 11
129011-52730	5 - 7	900560-00006	10 - 24	A409-001222	3 - 5
131004-55530	7 - 2	900562-00005	12 - 9	A411-000251	3 - 6
131016-55830	7 - 3	900603-00004	3 - 10	A425-000000	3 - 16
131051-56030	7 - 4	900603-00005	7 - 15	A426-000010	3 - 18
132010-40830	7 - 8	900603-00005	12 - 7	A427-000013	3 - 17
132115-55930	7 - 5	900603-00006	10 - 10	A556-000390	4 - 3
145862-40630	8 - 3	900603-00006	10 - 21	A575-000110	4 - 8
156110-04920	3 - 15	900700-00005	10 - 50	C062-000100	14 - 2
156635-43130	3 - 1	900701-00012	4 - 5	C226-000070	10 - 48
159116-21231	3 - 3	900701-00014	10 - 7	C403-000480	10 - 44
162010-04561	3 - 8	900702-00028	4 - 4	C440-000100	12 - 5
175046-56030	4 - 13	900702-00042	4 - 10	C453-000482	13 - 4
175048-05530	4 - 15	900706-00012	10 - 30	C460-000441	13 - 3
175049-56030	4 - 14	900724-00035	10 - 32	C465-000030	10 - 36
177220-42030	9 - 8	900800-36002	10 - 5	C506-000390	12 - 10
177227-42030	9 - 3	900807-06001	4 - 2	C531-001040	10 - 26
177228-27030	9 - 11	900855-06901	10 - 28	C532-000360	10 - 15
177236-61830	9 - 9	900859-06901	10 - 29	C534-001010	10 - 3
301016-52730	12 - 11	91140-05012	1 - 15	C534-001060	10 - 2
301207-08930	12 - 12	91367-04010	8 - 5	C539-000130	10 - 18
351012-54330	12 - 3	91463-06020	10 - 46	C661-000080	10 - 40
433022-06460	11 - 7	92280-05000	8 - 7	C661-000150	10 - 38
699012-03330	12 - 13	92424-24000	10 - 31	J447-001050	11 - 8
890152-04930	12 - 4	92424-32000	10 - 8	M613-000250	10 - 49
890332-52730	5 - 10	94004-36002	10 - 6	P005-000010	6 - 2
890617-12361	12 - 2	94035-36201	2 - 2	P005-000100	6 - 9
895112-00330	14 - 3	94035-36201	2 - 4	P005-000190	6 - 12
895410-03930	14 - 4	A011-000434	1 - 1	P005-000200	6 - 14
900100-05018	12 - 14	A021-001742	5 - 1	P005-000250	6 - 21
900106-05008	1 - 18	A021-001742	6 -	P005-000270	6 - 23
900106-05014	1 - 16	A051-000941	9 - 1	P005-000280	6 - 24
900106-05014	8 - 12	A052-000180	9 - 13	P005-000510	6 - 17
900162-05016	3 - 4	A101-000170	1 - 6	P005-000520	6 - 18
900162-05025	1 - 4	A127-000160	3 - 2	P005-001000	6 - 25

**Index**

<b>Patrs Number</b>	<b>Key No.</b>	<b>Patrs Number</b>	<b>Key No.</b>	<b>Patrs Number</b>	<b>Key No.</b>
P005-001240	6 - 11	V322-000031	3 - 9		
P005-001250	6 - 26	V340-000300	10 - 33		
P005-001270	6 - 28	V347-000030	10 - 22		
P005-001290	6 - 27	V354-000320	10 - 45		
P005-001890	6 - 19	V356-000730	10 - 14		
P005-001900	6 - 22	V376-002130	11 - 10		
P005-002070	6 - 8	V450-001930	10 - 47		
P005-002230	6 - 13	V451-001390	4 - 12		
P005-003110	6 - 20	V452-000710	10 - 43		
P021-004480	5 - 6	V452-001510	13 - 5		
P021-009771	1 - 5	V452-001520	13 - 6		
P021-010801	2 - 1	V470-000580	7 - 6		
P021-011580	8 - 1	V471-001180	7 - 7		
P021-046900	4 - 11	V475-003380	3 - 7		
P021-047560	10 - 1	V490-001230	7 - 10		
P021-047570	10 - 20	V490-001240	7 - 12		
P021-047690	13 - 1	V491-000180	4 - 6		
P021-047700	13 - 9	V494-000880	10 - 39		
P021-047710	4 - 1	V494-000890	10 - 41		
P021-047730	12 - 1	V495-003020	13 - 2		
P021-047820	10 - 25	V505-000050	2 - 6		
P022-002100	9 - 16	V541-000570	10 - 16		
P022-006510	9 - 15	V650-000660	10 - 13		
P022-006850	9 - 14	V651-001000	10 - 27		
P022-008260	9 - 10	V655-000090	10 - 4		
P022-008270	9 - 7	V804-000110	10 - 19		
P022-022010	9 - 4	V805-000000	13 - 7		
P022-027980	9 - 5	V805-000060	12 - 6		
P022-028000	9 - 6	V805-000120	11 - 9		
P022-037670	9 - 12	V805-000130	10 - 35		
V100-000210	1 - 3	V805-000150	13 - 8		
V103-000210	5 - 5	V805-000170	10 - 34		
V103-000270	5 - 2	V805-000250	11 - 12		
V104-000780	8 - 10	X041-000510	11 - 1		
V104-000790	8 - 4	X411-001320	11 - 4		
V110-000180	10 - 17	X425-000920	11 - 2		
V135-000030	3 - 14	X425-000930	11 - 3		
V150-001760	8 - 8	X495-000570	11 - 13		
V150-003940	10 - 12	X502-000330	9 - 18		
V187-000080	10 - 9	X505-007710	1 - 20		
V187-000080	10 - 11	X547-000930	1 - 19		
V202-000130	3 - 11	X605-000100	14 - 5		
V203-000120	8 - 6	X605-000170	14 - 6		
V204-000570	11 - 5	X690-000080	14 - 1		
V204-000580	10 - 42				
V263-000330	11 - 14				
V299-000250	5 - 11				
V304-000240	11 - 6				
V304-000240	11 - 11				

# YAMABIKO CORPORATION

7-2 SUEHIROCHO 1-CHOME, OHME, TOKYO 198-8760, JAPAN  
PHONE: 81-428-32-6118. FAX: 81-428-32-6145.



**ECHO**®

14Gb  
No. 06-132