



PARTS CATALOG

ENGINE CUTTER

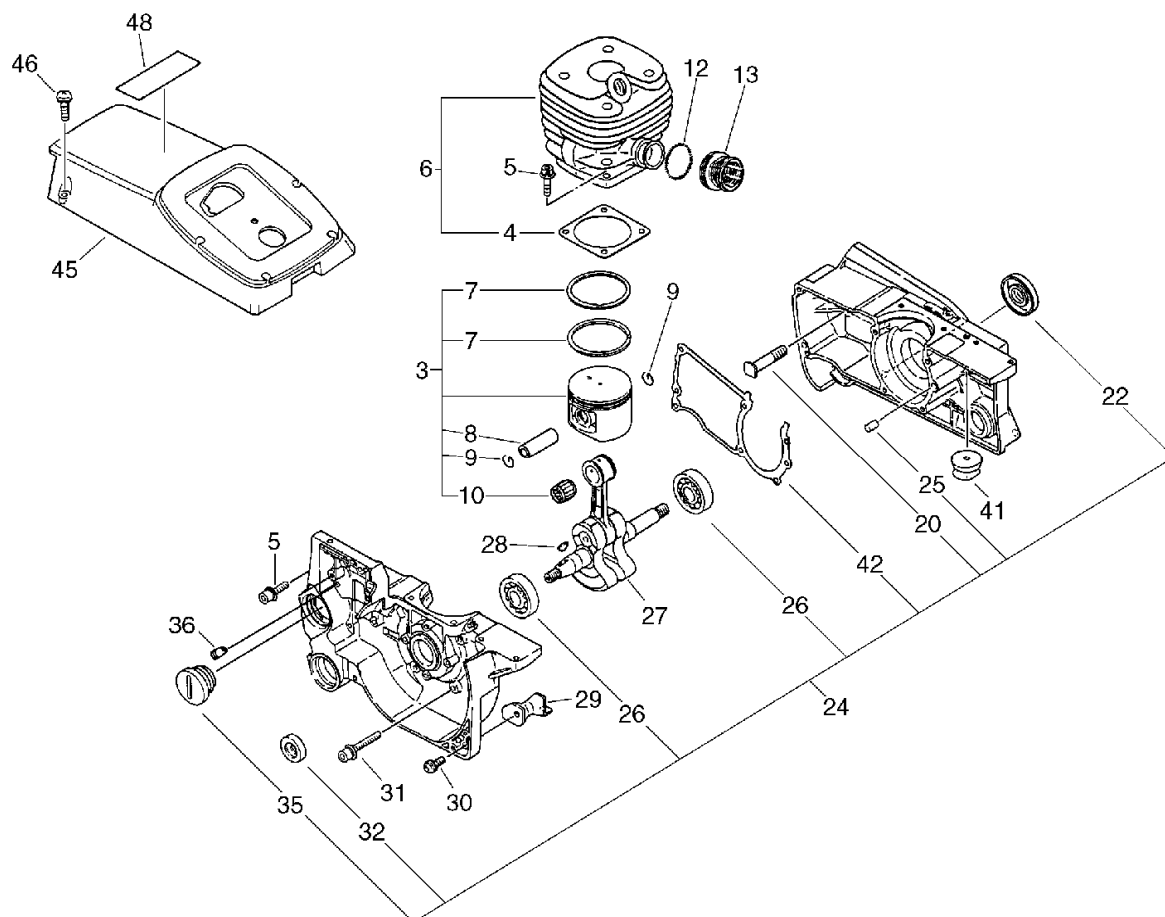
CSG-6700



CSG-6700

1. Cylinder, Crankcase, Piston

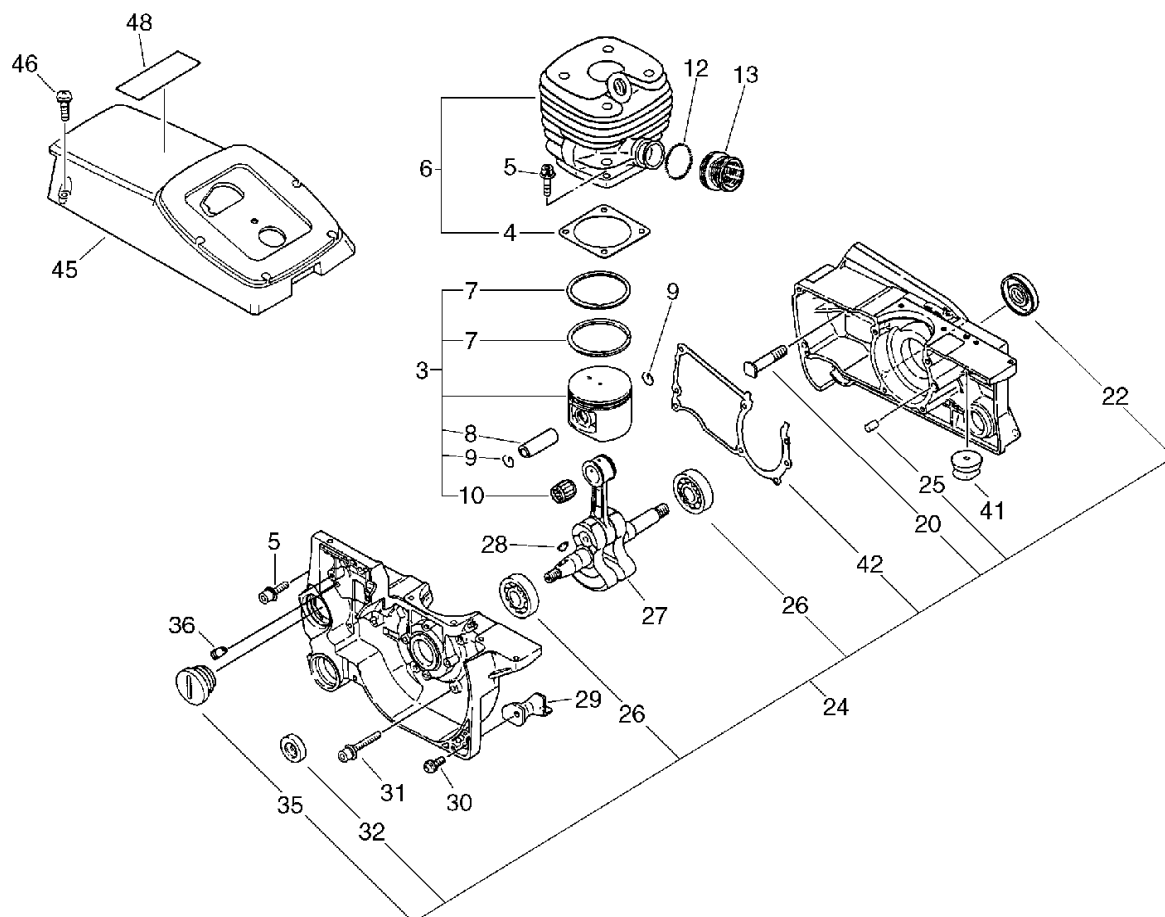
No.1



KEY	LV	PART NUMBER	Q'TY	DESCRIPTION	REMARKS	NOTE1	NOTE2
5		900162-05020	6	BOLT, H.S. 5*20	5*20 W,SW		
6		101001-32431	1	CYLINDER ASSY			
4	+	101010-32431	1	GASKET, CYL. BASE			
3		100000-32431	1	PISTON KIT		Sus. by 100000-32432	
3		100000-32432	1	PISTON KIT			
7	+	100011-32430	2	RING, PISTON		Sus. by 100011-32431	
7	+	100011-32431	2	RING, PISTON			
8	+	100013-32430	1	PIN, PISTON	8*12*33.8		
9	+	100015-00230	2	CIRCLIP, PISTON PIN			
10	+	100012-32430	1	BEARING, NEEDLE			
12		130516-30830	1	BAND			
13		130510-32430	1	ADAPTER, INTAKE			
24		100204-06062	1	CRANKCASE KIT		Sus. by 100204-06065	
24		100204-06063	1	CRANKCASE KIT	BS	Sus. by 100204-06065	
24		100204-06064	1	CRANKCASE KIT		Sus. by 100204-06065	
24		100204-06065	1	CRANKCASE KIT			
20	+	433011-06060	2	STUD, GUIDE BAR			
22	+	100212-32430	1	OILSEAL (L)	25Z-15*39.9*7		
25	+	100215-02830	2	PIN, DOWEL			
26	+	900810-36202	2	BEARING, BALL 6202	6202/C3		

1. Cylinder, Crankcase, Piston

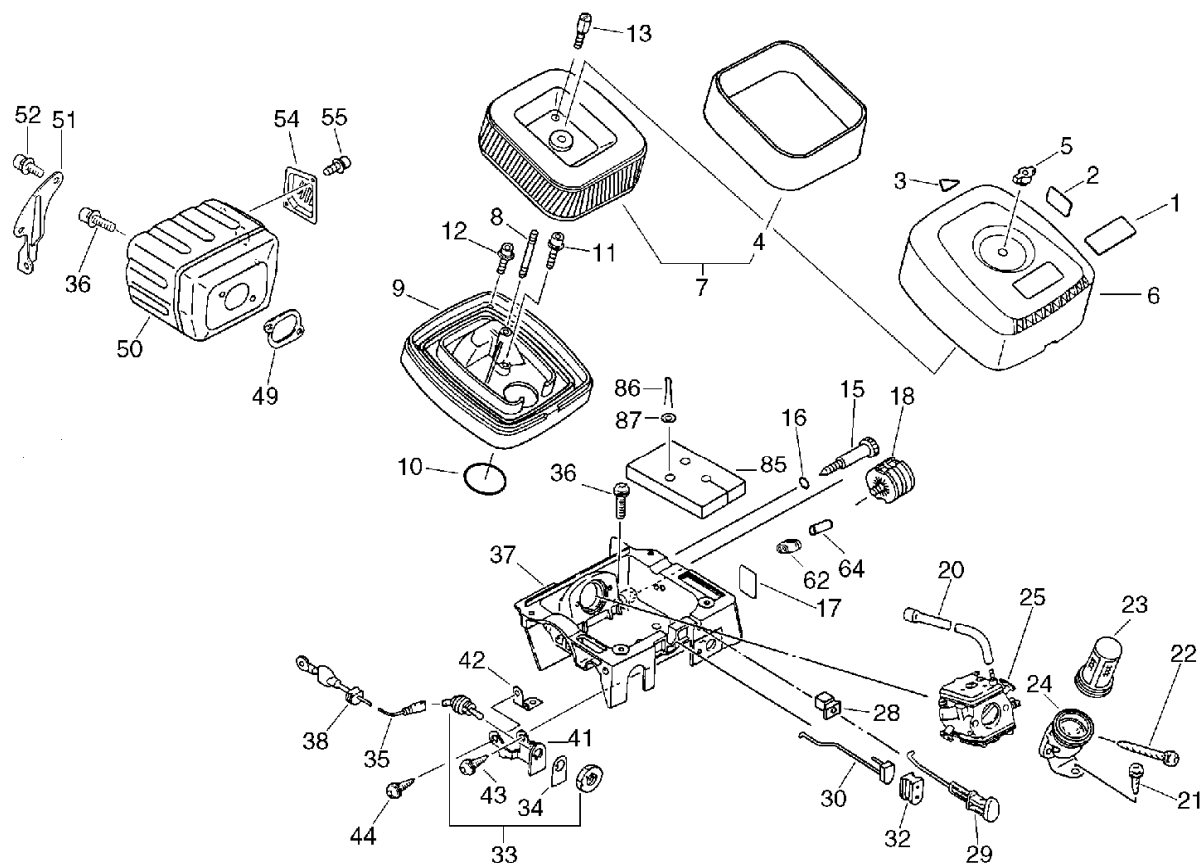
No.1



KEY	LV	PART NUMBER	Q'TY	DESCRIPTION	REMARKS	NOTE1	NOTE2
32	+	100212-19830	1	OILSEAL	ISM 15*25*6		
35	+	436013-06061	1	PLUG			
36	+	436114-13930	1	VALVE, CHECK		Can be needed for 100204-06063	
42	+	100242-32430	1	GASKET, CRANKCASE			
27		100100-06060	1	CRANKSHAFT ASSY		Sus. by 100100- 06061	
27		100100-06061	1	CRANKSHAFT			
28		100142-30830	1	KEY, WOODRUFF			
29		100917-32430	1	CUSHION (B)			
30		900238-05014	1	SCREW 5*14	5*14		
31		900162-05035	4	BOLT, H.S. 5*35	5*35 W,SW		
41		100251-32430	1	CUSHION (A)			
45		101506-07060	1	COVER, CYLINDER		Sus. by 101506- 07061	
45		101506-07061	1	COVER, CYLINDER			
46		900162-05020	5	BOLT, H.S. 5*20	5*20 W,SW		
48		890160-06060	1	DECAL, CAUTION			

2. Air Cleaner, Muffler

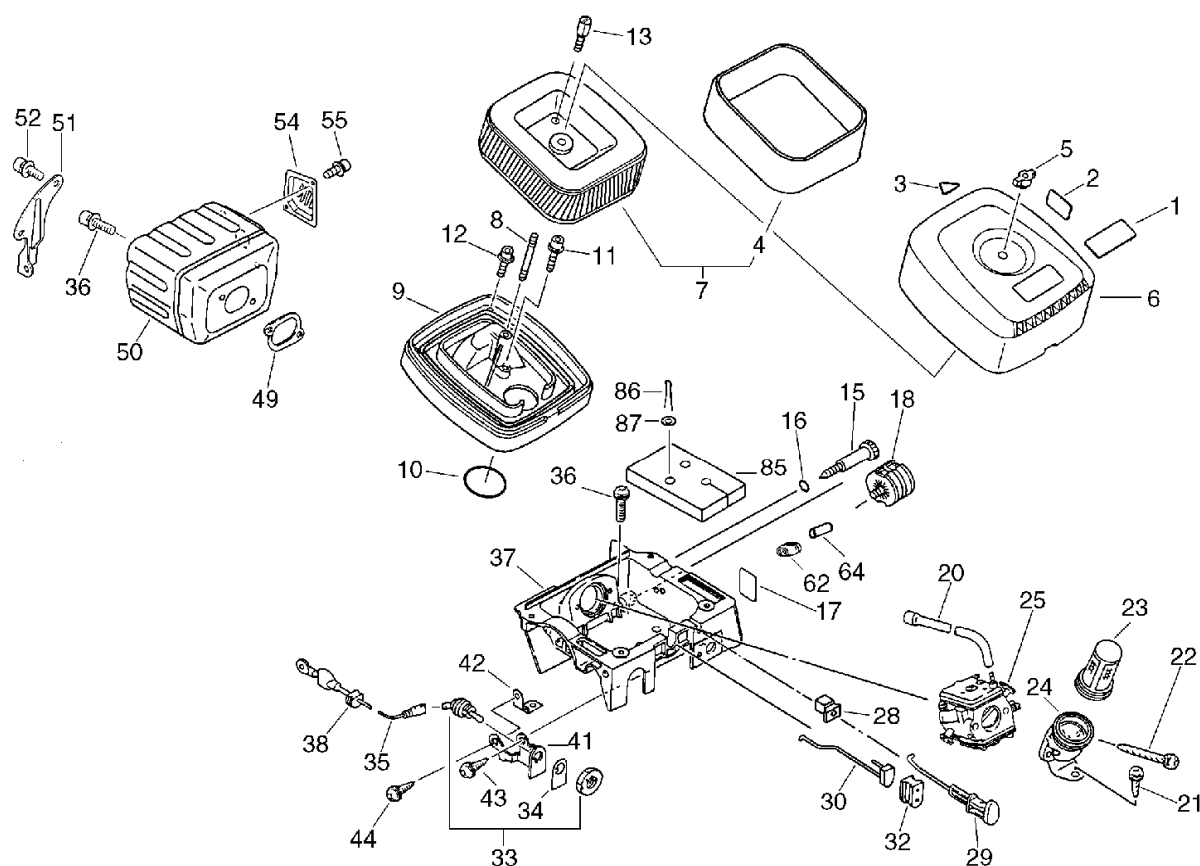
No.2



KEY	LV	PART NUMBER	Q'TY	DESCRIPTION	REMARKS	NOTE1	NOTE2
1		890112-06060	1	LABEL, MODEL			
2		890160-05260	1	LABEL, CAUTION			
3		890057-05260	1	LABEL			
5		130322-05260	1	NUT (BL)		Sus. by 130322-05261	
5		130322-05261	1	NUT			
6		130313-06061	1	COVER, AIR CLEANER			
7		130305-06060	1	FILTER, AIR		Sr/Nr 005730 and before	
7		130305-07060	1	FILTER, AIR		Sus. by 130305-07061	
7		130305-07061	1	FILTER, AIR		Sr/Nr 005731 and after	
4	+	130305-25060	1	FILTER, AIR		Sus. by 130305-25061	
4	+	130305-25061	1	FILTER, AIR		Sr/Nr 005731 and after	
8		130712-06060	1	STUD		Sus. by 130712-06061	
8		130712-06061	1	STUD	5*42		
9		130314-06061	1	CASE, AIR CLEANER		Sr/Nr 005730 and before	
9		130314-07060	1	CASE, AIR CLEANER		Sus. by 130314-07062	
9		130314-07061	1	CASE, AIR CLEANER		Sus. by 130314-07062	

2. Air Cleaner, Muffler

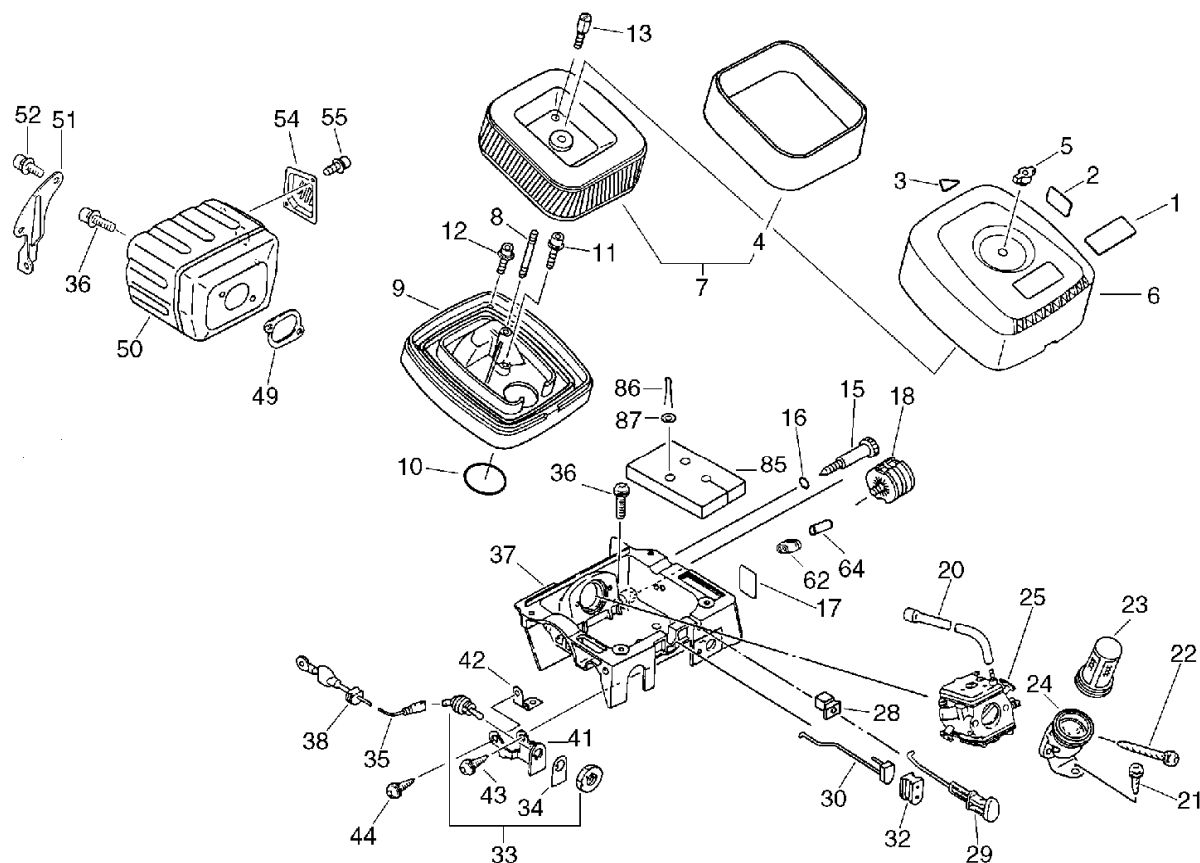
No.2



KEY	LV	PART NUMBER	Q'TY	DESCRIPTION	REMARKS	NOTE1	NOTE2
9		130314-07062	1	CASE, CLEANER		Sr/Nr 005731 and after	
10		900720-00029	1	O-RING 29	P-29		
10		V540-000090	1	SEAL,CIRCULAR		Sr/Nr 005731 and after	
11		900238-05025	1	SCREW 5*25	5*25		
12		900238-05016	2	SCREW 5*16	5*16	Sus. by 900238-05016 Q'TY:4	
12		900238-05016	4	SCREW 5*16	5*16		
13		130435-07060	2	BOLT		Sr/Nr 005731 and after	
15		129013-30831	1	SCREW, IDLE SPEED			
16		900720-20007	1	O-RING 7	P-7		
17		890185-03460	1	LABEL, IDLE			
18		100905-32331	1	CUSHION (R)			
20		130110-19830	1	PIPE, IMPULSE			
21		900252-05014	1	SCREW 5*14	5*14		
22		900252-05053	2	SCREW 5*53	5*53		
23		130821-06060	1	SCREEN			
24		130518-06060	1	ELBOW, CARBURETOR			
25		123000-06061	1	CARBURETOR ASSY	HDA-85A		
28		178810-33330	1	GROMMET, CHOKE		Sus. by 178810-33331	
28		178810-33331	1	GROMMET, CHOKE			
29		178510-32330	1	ROD, CHOKE			

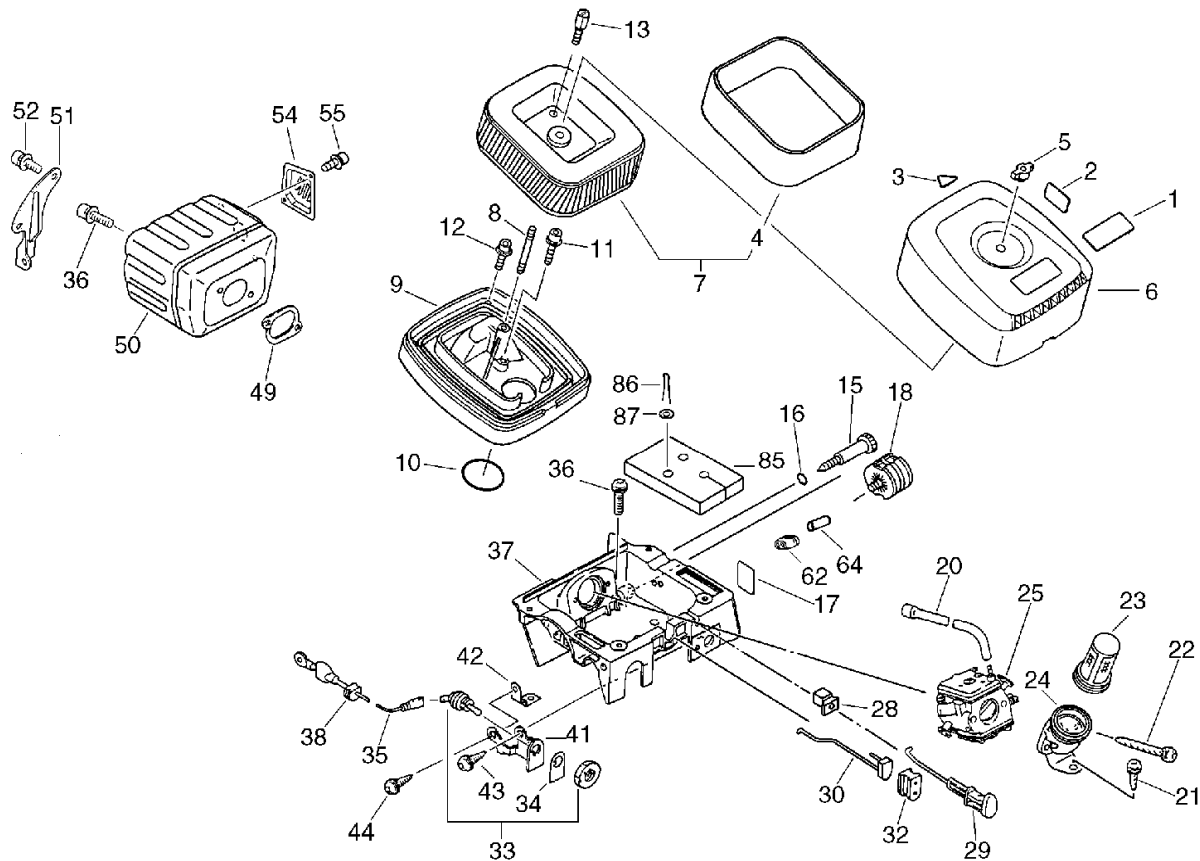
2. Air Cleaner, Muffler

No.2



KEY	LV	PART NUMBER	Q'TY	DESCRIPTION	REMARKS	NOTE1	NOTE2
30		178011-32630	1	ROD, THROTTLE		Sus. by C454-000000	
30		C454-000000	1	ROD, THROTTLE			
32		178114-32630	1	HOLDER, THR. LEVER			
33		163400-30830	1	SWITCH, IGNITION			
34		890157-30130	1	LABEL, SWITCH			
35		162021-32530	1	LEAD			
36		900162-05020	6	BOLT, H.S. 5*20	5*20 W,SW		
37		130306-06061	1	CASE, CARBURETOR BS		Sus. by A220-000030	
37		130306-20761	1	CASE, CARBURETOR		Sus. by A220-000030	
37		130306-20762	1	CASE, CARB.		Sus. by A220-000030	
37		A220-000030	1	CASE, CARBURETOR			
38		156114-04920	1	GROMMET			
41		163810-30130	1	BRACKET, SWITCH			
42		156635-32530	1	PLATE, GROUND			
43		900252-05010	1	SCREW 5*10	5*10		
44		900252-04010	1	SCREW 4*10	4*10		
49		145510-32431	1	GASKET, MUFFLER			
50		145610-32430	1	MUFFLER			
51		145711-32430	1	BRACKET, MUFFLER			
52		900162-05014	2	BOLT, H.S. 5*14	5*14 W,SW		
54		145861-06061	1	LID, MUFFLER			
55		900162-04008	2	BOLT, H.S. 4*8	4*8 W,SW		

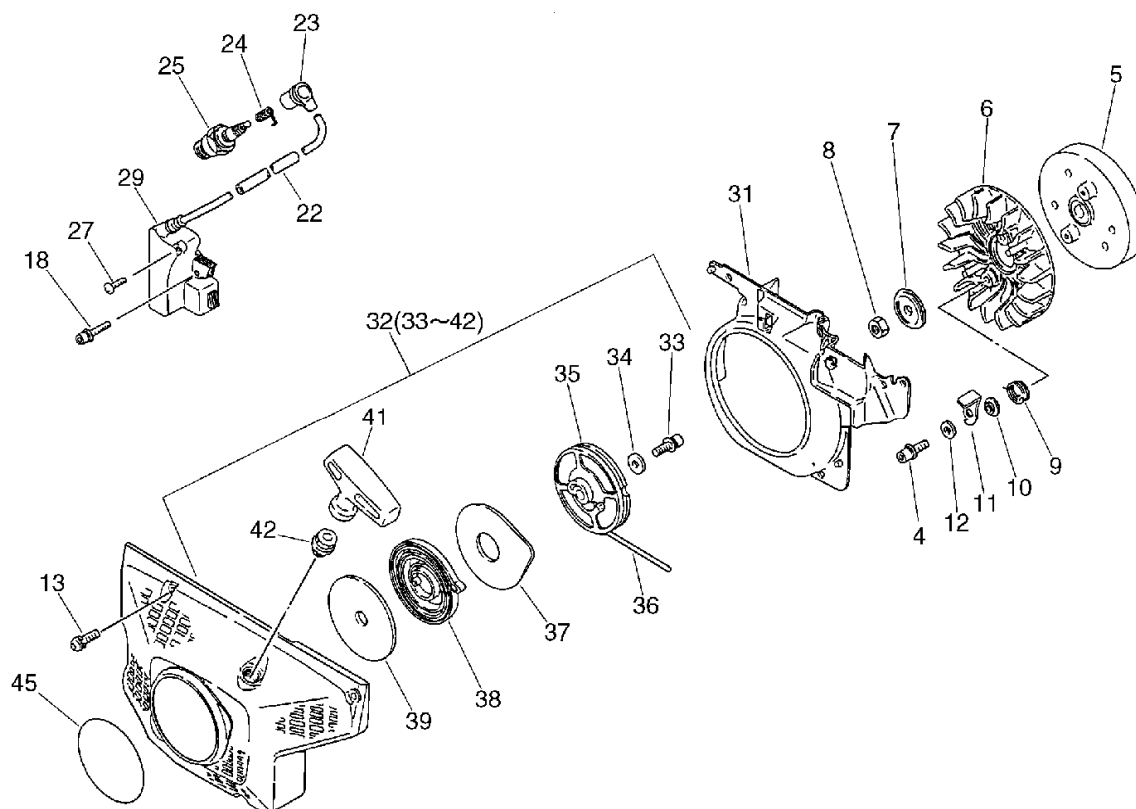
2. Air Cleaner, Muffler
No.2



KEY	LV	PART NUMBER	Q'TY	DESCRIPTION	REMARKS	NOTE1	NOTE2
62		129010-32430	1	GROMMET			
64		129027-06060	1	PLUG			
85		130331-06060	1	PAD, FOAM			
86		900300-30018	1	PIN, SPLIT 3*18	3*18		
87		433162-19930	1	WASHER			

3. Starter, Magneto

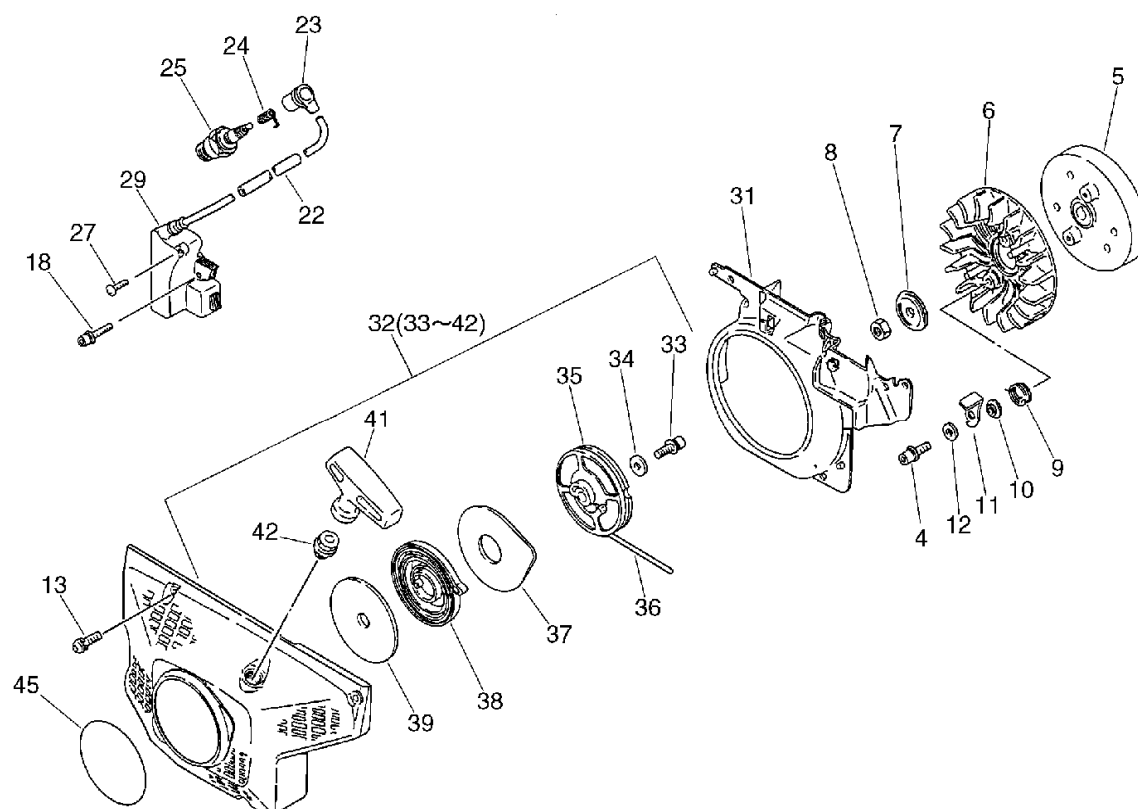
No.3



KEY	LV	PART NUMBER	Q'TY	DESCRIPTION	REMARKS	NOTE1	NOTE2
4		900162-05014	2	BOLT, H.S. 5*14	5*14 W,SW	Sus. by V203-000150	
4		900162-05020	2	BOLT, H.S. 5*20	5*20 W,SW	Sus. by V203-000150	
4		V203-000150	2	BOLT,5	5*18		
5		156800-32631	1	ROTOR, MAGNETO			
6		101521-32330	1	FAN, COOLING			
7		100143-19830	1	WASHER	8.2*31*0.8		
8		900500-00008	1	NUT 8	8*P1.25		
9		177234-19830	2	SPRING, RETURN		Sus. by 177234-19832	
9		177234-19831	2	SPRING, RETURN		Sus. by 177234-19832	
9		177234-19832	2	SPRING, RETURN			
10		177247-07060	2	SPACER, RATCHET			
11		177218-32630	2	PAWL, STARTER			
12		900603-00005	2	WASHER 5	5.5*12*0.8		
13		900162-05020	4	BOLT, H.S. 5*20	5*20 W,SW		
18		900162-04020	2	BOLT, H.S. 4*20	4*20 W,SW		
22		150611-06060	1	TUBE	7*8.6*70	Sus. by 156611-19830	
22		156611-19830	1	TUBE			
23		159012-03433	1	CAP, SPARK PLUG			
24		159011-03432	1	COIL, SPARK PLUG			
25		159010-13930	1	PLUG, SPARK (CJ-8Y)	CJ-8Y		
27		900242-04008	1	SCREW	4*8		

3. Starter, Magneto

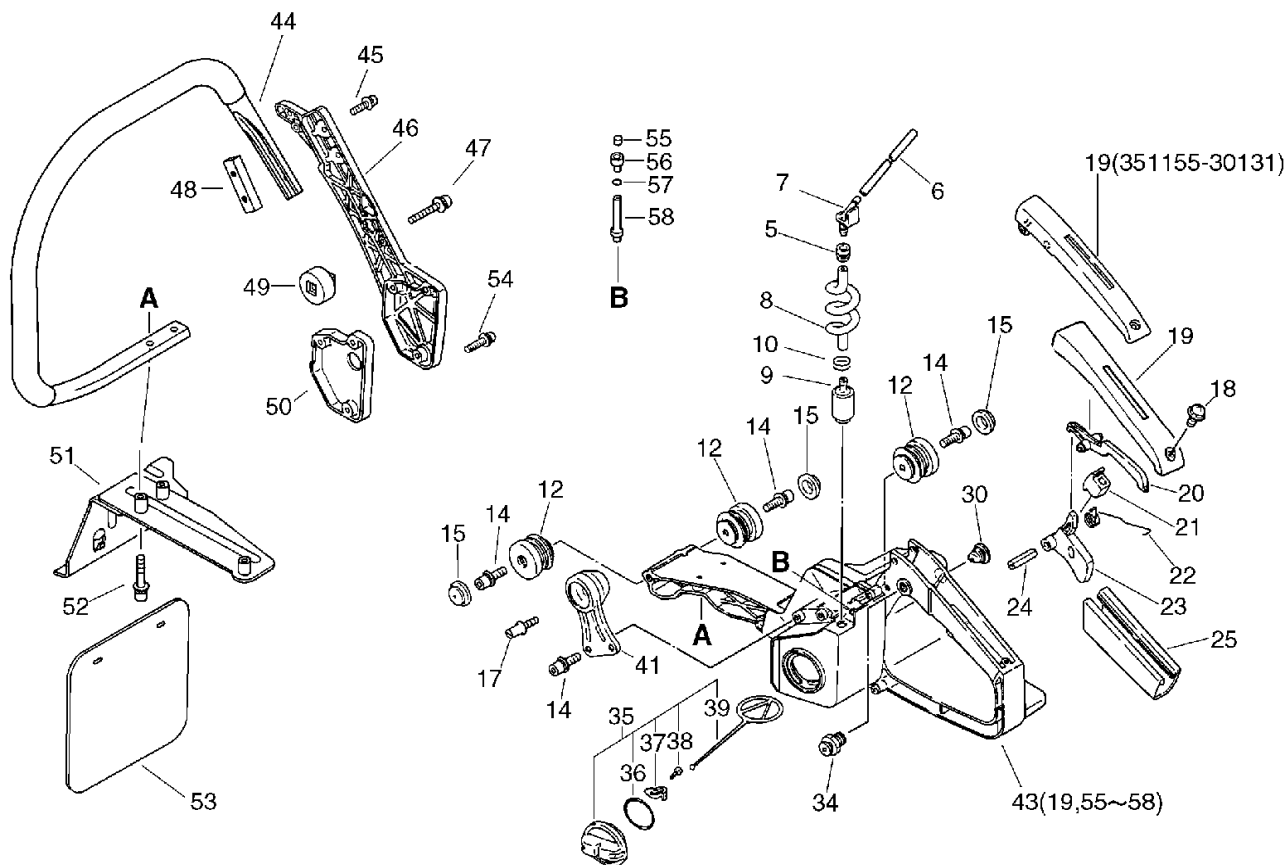
No.3



KEY	LV	PART NUMBER	Q'TY	DESCRIPTION	REMARKS	NOTE1	NOTE2
29		156601-32631	1	COIL, IGNITION			
31		101535-32430	1	COVER, FAN		Sus. by 101535-32431	
31		101535-32431	1	COVER, FAN			
32		177200-32435	1	STARTER ASSY		Sus. by 177200-32436	
32		177200-32436	1	STARTER ASY			
33	+	900162-05014	1	BOLT, H.S. 5*14	5*14 W,SW		
34	+	900603-00005	1	WASHER 5	5.5*12*0.8		
35	+	177215-32330	1	DRUM, STARTER		Sus. by 177215-07060	
35	+	177215-07060	1	DRUM, STARTER			
36	+	177226-06060	1	ROPE, STARTER	3.8*900		
37	+	177221-07060	1	PLATE, STARTER			
38	+	177220-02834	1	SPRING, REWIND			
39	+	177221-02830	1	PLATE, STARTER			
41	+	177228-30830	1	GRIP, STARTER			
42	+	177227-07060	1	GUIDE, ROPE			
45		890112-38130	1	LABEL, ECHO		Sus. by 890118-17930	
45		890118-17930	1	LABEL, ECHO			

4. Handle

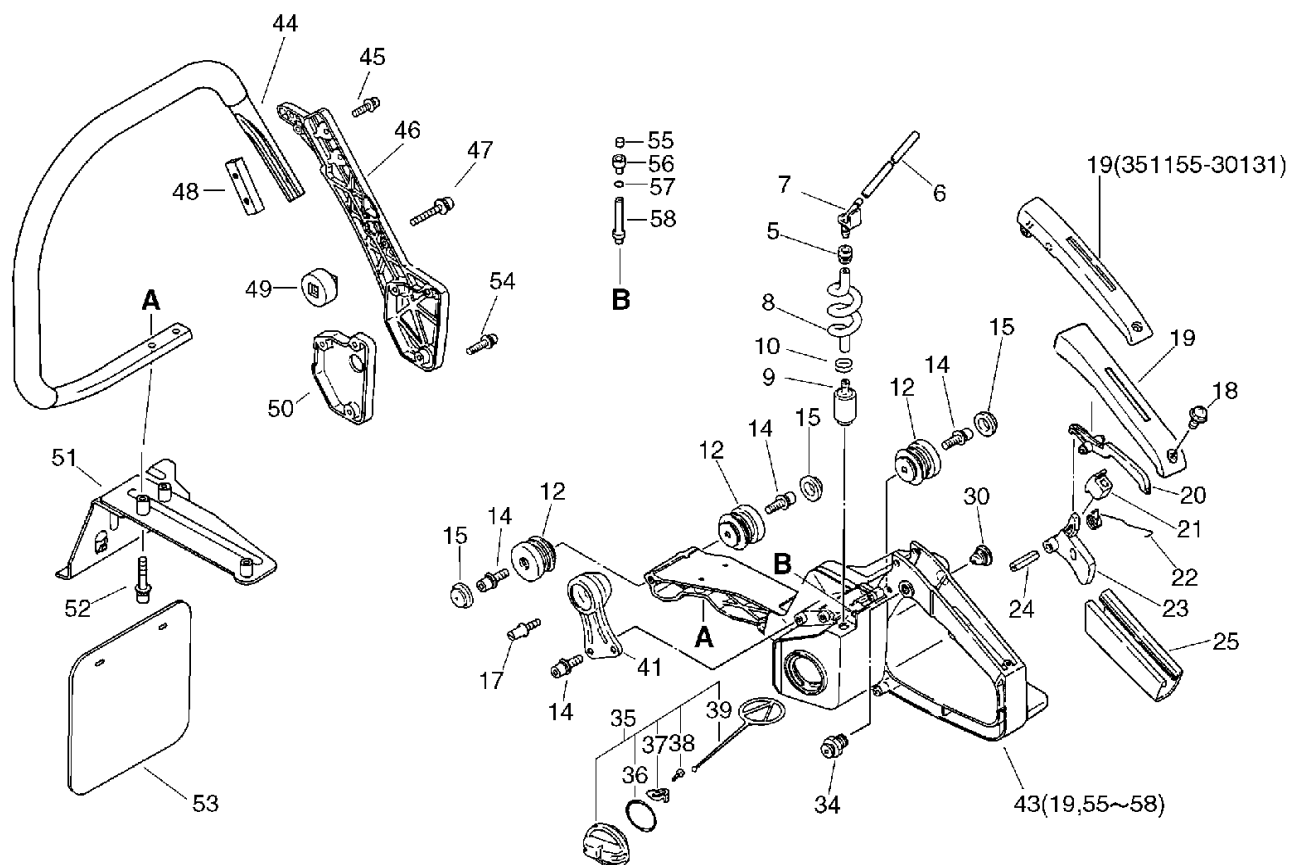
No.4



KEY	LV	PART NUMBER	Q'TY	DESCRIPTION	REMARKS	NOTE1	NOTE2
5		132115-01461	1	GROMMET			
6		132012-19830	1	PIPE 3*6*100	3*6*100	Sus. by 437217-20760	
6		437217-20760	1	PIPE 3*6*100	3*6*100 NBR		
7		132011-19830	1	CONNECTOR, FUEL PIPE			
8		132010-30830	1	PIPE			
9		131205-19830	1	STRAINER, FUEL			
10		132013-26630	1	CLIP	6.5MM		
12		100922-32430	3	CUSHION (A)			
14		900162-05014	5	BOLT, H.S. 5*14	5*14 W,SW		
15		100918-19830	3	CAP, CUSHION			
17		100915-33930	1	SCREW			
18		900238-04014	1	SCREW 4*14	4*14		
19		351155-30131	1	COVER, HANDLE		Can be used on the 351103-06061 only	
20		178090-30130	1	LOCKOUT, T. CONTROL			
21		178073-32430	1	CUSHION, THROTTLE			
22		178043-19830	1	SPRING, THR. RETURN			
23		178010-19830	1	CONTROL, THROTTLE			
24		900342-50025	1	PIN, SPRING 5*25	5*25		
25		351111-19830	1	GRIP, HANDLE			
30		163911-30130	1	PLUG			
34		178302-12330	1	LATCH, THROTTLE			
35		131004-19831	1	CAP ASSY, FUEL TANK			
36	+	900720-20029	1	O-RING 29	P-29		

4. Handle

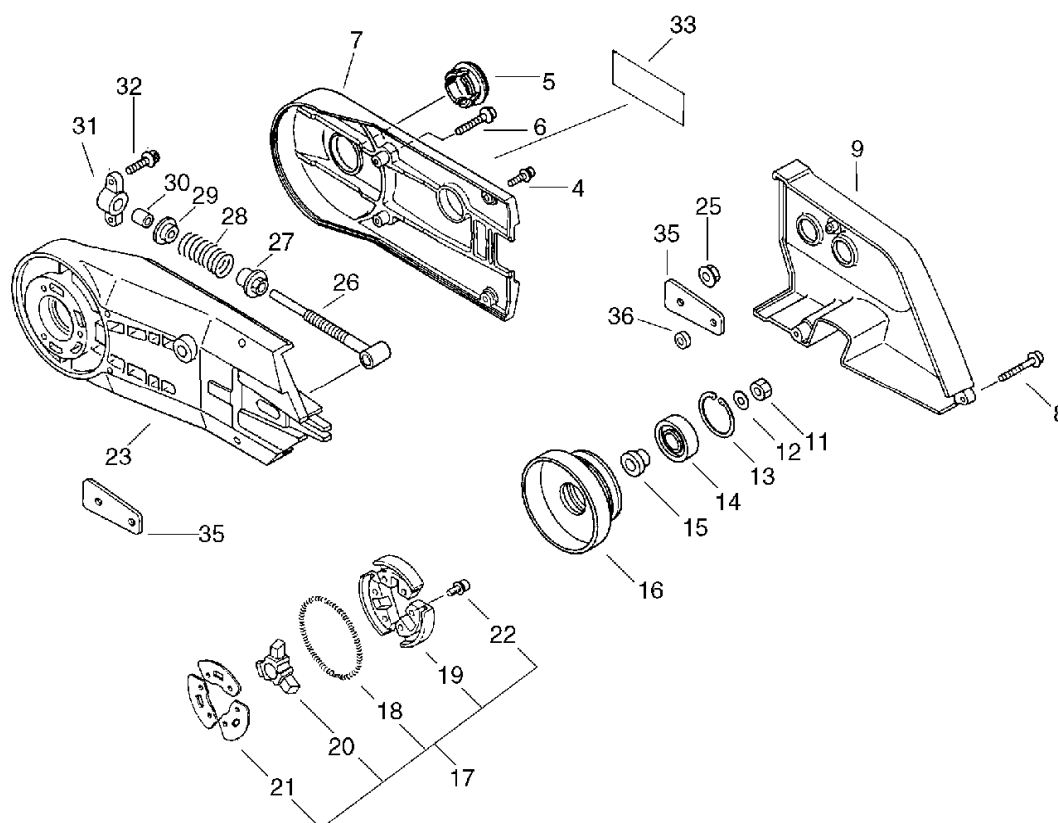
No.4



KEY	LV	PART NUMBER	Q'TY	DESCRIPTION	REMARKS	NOTE1	NOTE2
37	+	131050-19830	1	RETAINER, LINK			
38	+	900246-03008	1	SCREW 3*8	3*8		
39	+	131051-19830	1	LINK	60L		
41		100921-32431	1	CUSHION(C)			
43		351103-06061	1	HANDLE, W/FUEL TANK		Sus. by 351103-06062	
43		351103-06062	1	HANDLE, REAR			
19	+	351155-35430	1	COVER, HANDLE (BL)		Can be used on the 351103-06062 only	
55	+	131300-56430	1	VALVE, CHECK			
56	+	131328-40630	1	COVER, VENT			
57	+	130111-00530	1	CLIP	5.5		
58	+	131312-32430	1	PIPE, VENT			
44		351606-06060	1	HANDLE, FRONT			
45		900238-05020	2	SCREW 5*20	5*20		
46		351616-32430	1	BRACKET, HANDLE			
47		900238-05030	1	SCREW 5*30	5*30		
48		305114-06060	1	BRACKET			
49		351612-06060	1	SPACER			
50		351630-06060	1	SPACER			
51		351611-06060	1	WASHER			
52		900162-05030	3	BOLT, H.S. 5*30	5*30 W,SW		
53		305115-06060	1	SHIELD			
54		900238-05035	3	SCREW 5*35	5*35		

5. Clutch, Arm Cover

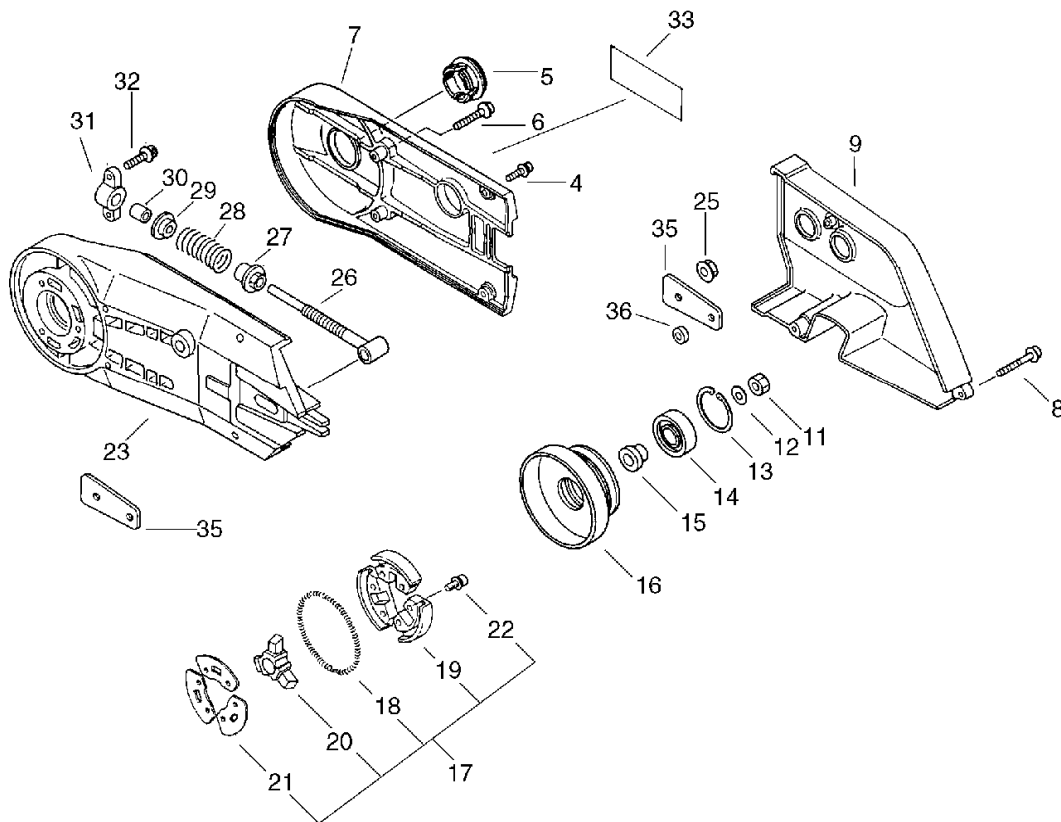
No.5



KEY	LV	PART NUMBER	Q'TY	DESCRIPTION	REMARKS	NOTE1	NOTE2
4		900238-05020	2	SCREW 5*20	5*20		
5		611021-05261	1	GROMMET			
6		900238-05025	2	SCREW 5*25	5*25		
7		611111-06060	1	COVER, ARM (FRONT)			
8		900238-05025	3	SCREW 5*25	5*25		
9		611116-06060	1	COVER, ARM (REAR)			
11		610320-03830	1	NUT 8 L-H			
12		175044-03430	1	WASHER, CLUTCH	8.2*22.5*2		
13		900702-00032	1	CIRCLIP 32	CR-32		
14		900812-06201	1	BEARING, BALL 6201	6201DDU(LLU)		
15		175013-02761	1	SPACER 10:12:17:12.8			
16		175005-06060	1	DRUM, CLUTCH			
17		175000-06061	1	CLUTCH ASSY			
18	+	175018-32430	1	SPRING, CLUTCH			
19	+	175002-32430	1	SHOE, CLUTCH		Sus. by 175002-32431	
19	+	175002-32431	1	SHOE, CLUTCH			
20	+	175016-16130	1	HUB, CLUTCH			
21	+	175019-16130	3	PLATE, CLUTCH			
22	+	900105-04006	6	BOLT, H.S. 4*6	4*6		
23		611110-06060	1	ARM, BLADE			
25		433019-12330	2	NUT, FLANGE 8	M-8		
26		611215-06060	1	ROD, ADJUSTER			
27		611214-05260	1	ADJUSTER			
28		611216-05260	1	SPRING, ADJUSTER			
29		611217-05260	1	SHEET, SPRING			

5. Clutch, Arm Cover

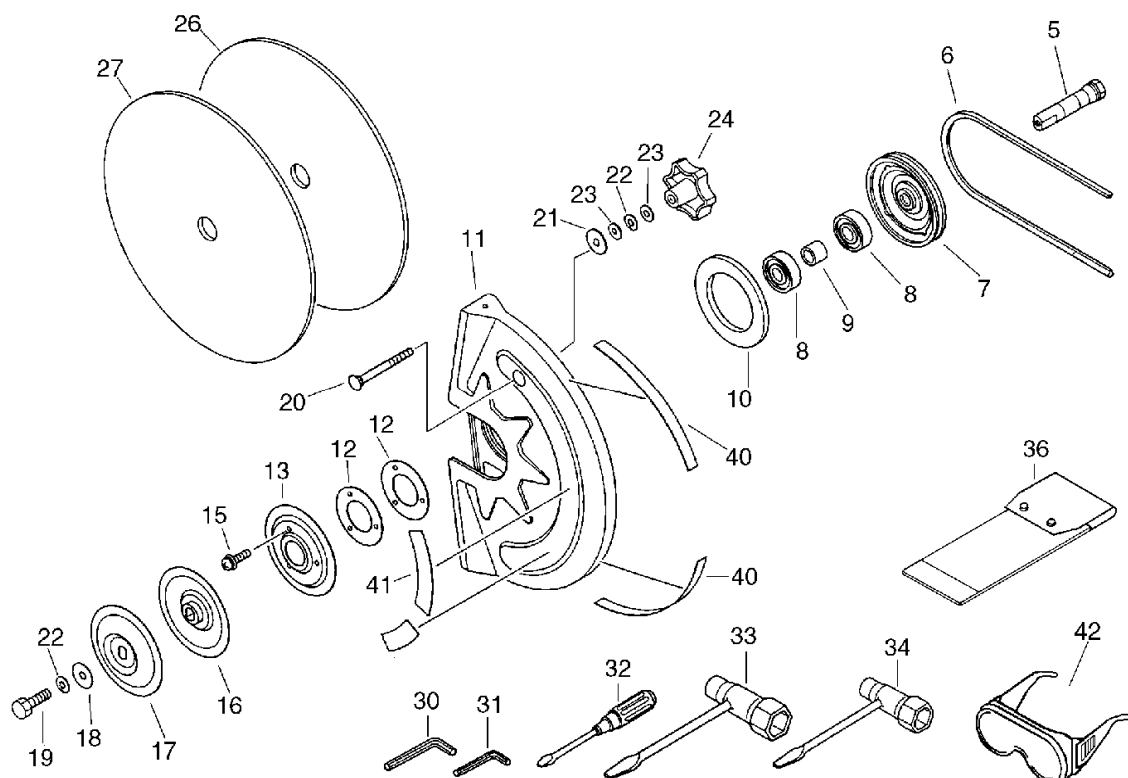
No.5



KEY	LV	PART NUMBER	Q'TY	DESCRIPTION	REMARKS	NOTE1	NOTE2
30		611218-05260	1	SPACER, SHAFT			
31		611213-05260	1	SUPPORTER			
32		900238-05020	2	SCREW 5*20	5*20		
33		890118-07060	1	LABEL, ECHO			
35		611117-06060	2	SPACER, ARM			
36		611219-06060	2	WASHER			

6. Cutter, Belt, Tools

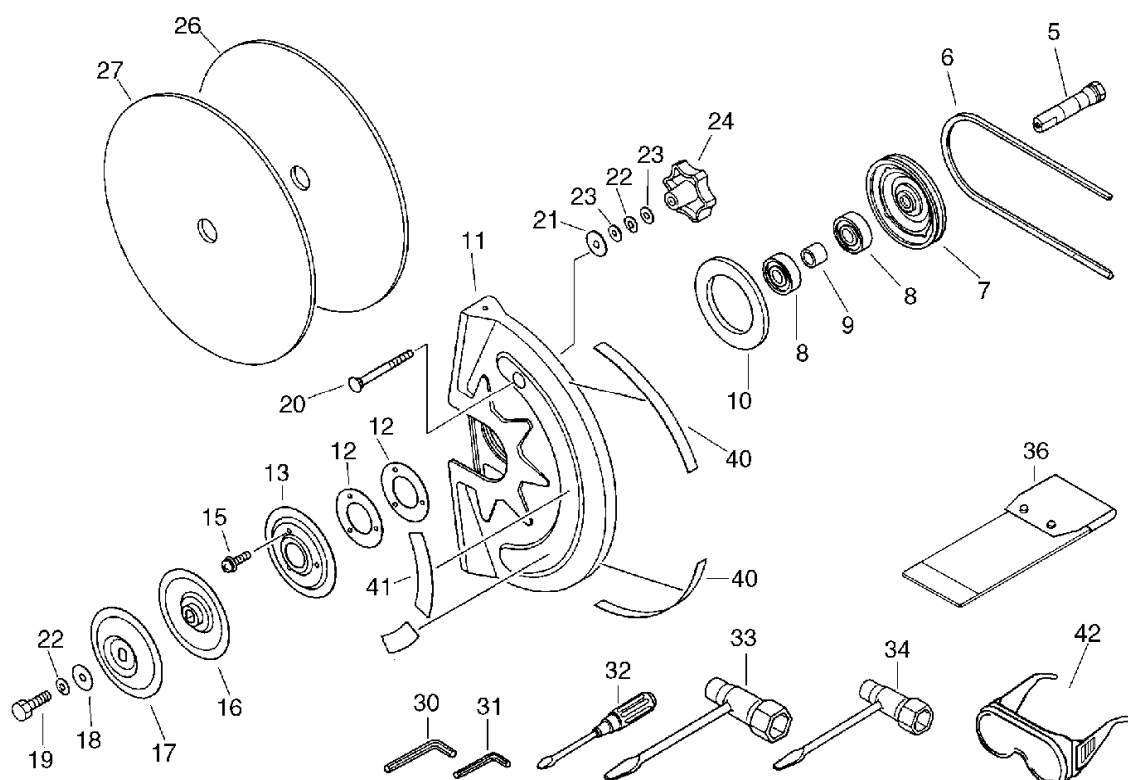
No.6



KEY	LV	PART NUMBER	Q'TY	DESCRIPTION	REMARKS	NOTE1	NOTE2
5		611010-06060	1	SHAFT, CUTTER			
6		611212-06060	1	BELT ORC850			
7		611007-05260	1	PULLEY ASSY (L)			
8		900812-06203	2	BEARING, BALL 6203	6203DDU(LLU)		
9		611011-06060	1	COLLAR			
10		689024-05260	1	PLATE, CUSHION			
11		689010-07061	1	COVER, BLADE			
12		689025-05260	2	WASHER			
13		689013-05260	1	PLATE			
15		900241-04010	3	SCREW 4*10	4*10		
16		611014-05263	1	FLANGE, CUTTER			
17		611015-05263	1	FLANGE, CUTTER			
18		611019-05260	1	WASHER			
19		611020-05261	1	BOLT		Sus. by V206-000160	
19		V206-000160	1	BOLT,10	M10*1.25*25		
20		689020-06060	1	BOLT			
21		689023-05260	1	WASHER			
22		900605-00010	2	WASHER, SPRING 10	10		
23		900600-00010	2	WASHER 10	10		
24		689015-05260	1	KNOB, LEVER			
26		685010-05260	1	CUTTER (A)			
27		685011-05260	1	CUTTER (C)			
30		895610-00130	1	L-WRENCH (4MM)			
31		895612-03430	1	L-WRENCH (3MM)			
32		895811-00130	1	DRIVER, SCREW 125			

6. Cutter, Belt, Tools

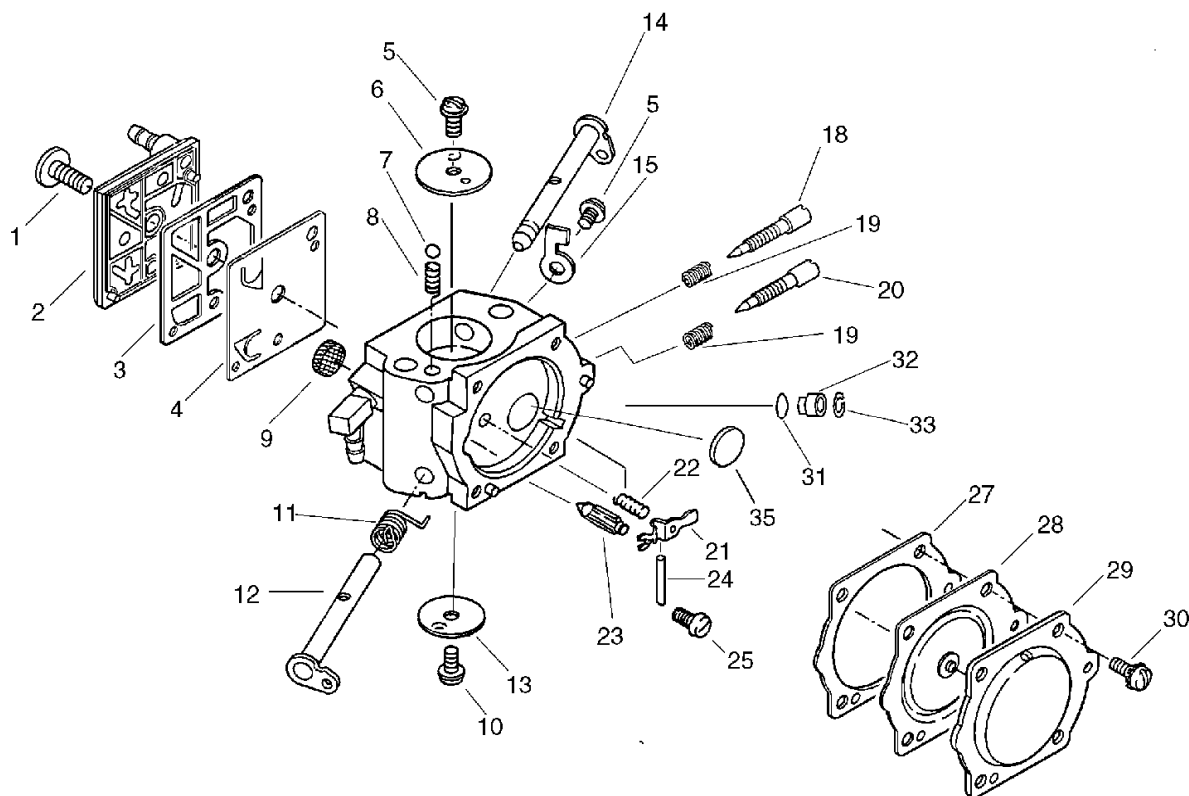
No.6



KEY	LV	PART NUMBER	Q'TY	DESCRIPTION	REMARKS	NOTE1	NOTE2
33		895410-10630	1	WRENCH, W/S. DRIVER			
34		895410-00430	1	WRENCH, W/S. DRIVER			
36		898510-39130	1	BAG, TOOL			
40		892050-05260	2	LABEL, MARK			
41		890188-05260	1	LABEL			
42		899580-68730	1	SAFETY GLASSES		Sus. by X690-000030	
42		X690-000030	1	GOGGLE			

7. Carburetor

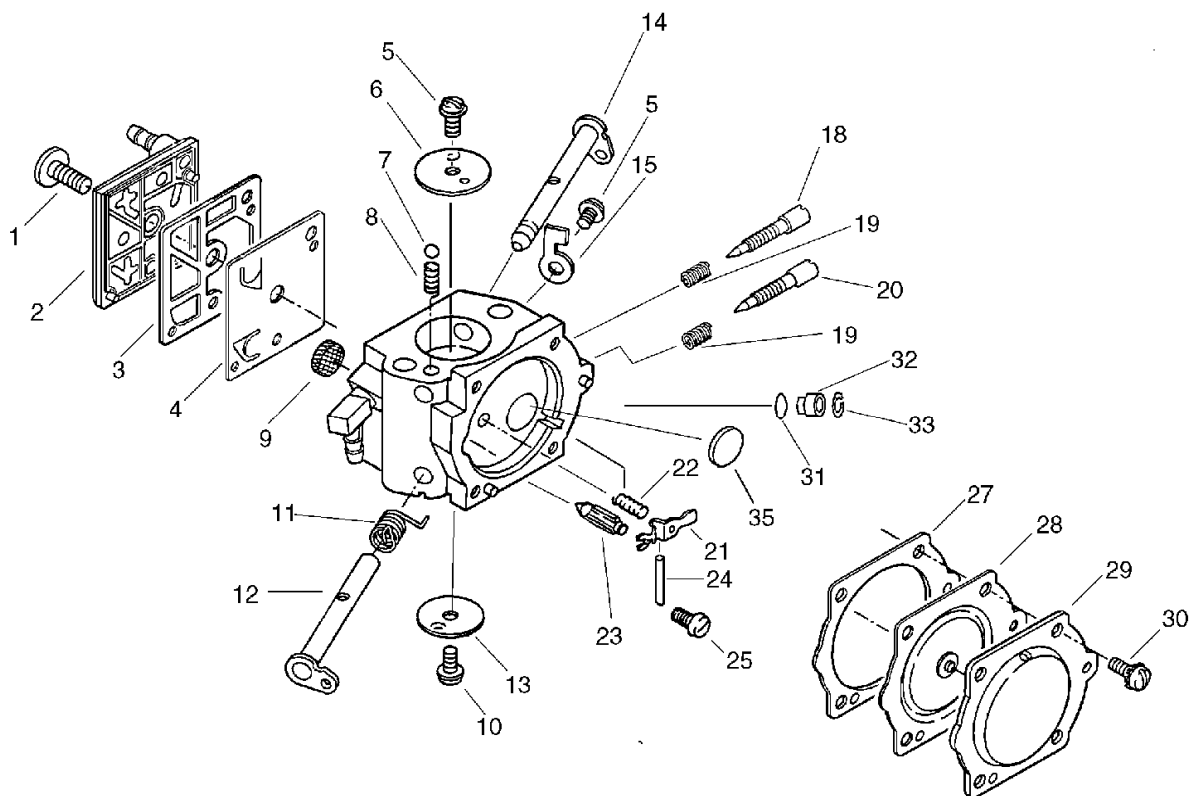
No.7



KEY	LV	PART NUMBER	Q'TY	DESCRIPTION	REMARKS	NOTE1	NOTE2
		123000-06061	1	CARBURETOR ASSY	HDA-85A		
1	+	123110-16130	1	SCREW, PUMP COVER			
2	+	123124-19830	1	COVER, FUEL PUMP			
3	+	123125-12330	1	GASKET, FUEL PUMP			
4	+	123112-12330	1	DIAPHRAGM, FUEL PUMP			
5	+	123114-03930	2	SCREW		Sus. by 123114-38830	
5	+	123114-38830	2	SCREW			
6	+	123132-32430	1	VALVE, CHOKE			
7	+	123136-10630	1	BALL, CHOKE FRICTION			
8	+	123135-10630	1	SPRING, CHOKE FRICT.			
9	+	123126-10631	1	SCREEN, INLET			
10	+	123154-10630	1	SCREW			
11	+	123113-16130	1	SPRING, THRT. RETURN			
12	+	123117-32630	1	SHAFT, THROTTLE			
13	+	123132-16130	1	VALVE, CHOKE			
14	+	123131-19830	1	SHAFT, CHOKE			
15	+	123156-12330	1	STOP, THROTTLE			
18	+	123120-06060	1	NEEDLE, HIGH SPEED			
19	+	123121-16130	2	SPRING, NEEDLE			
20	+	123118-18330	1	NEEDLE, IDLE			
21	+	123123-18330	1	LEVER, METERING			
22	+	123122-39830	1	SPRING, METER. LEVER			
23	+	123137-19830	1	VALVE, INLET NEEDLE			
24	+	123138-03930	1	PIN, METERING LEVER			
25	+	123139-03930	1	SCREW, M. LEVER PIN			

7. Carburetor

No.7



KEY	LV	PART NUMBER	Q'TY	DESCRIPTION	REMARKS	NOTE1	NOTE2
27	+	123140-16131	1	GASKET, M. DIAPHRAGM			
28	+	123141-16131	1	DIAPHRAGM, METERING			
29	+	123142-17330	1	COVER, M. DIAPHRAGM			
30	+	123130-02960	4	SCREW			
31	+	123183-40630	1	O-RING			
32	+	123184-06060	1	JET #42	#42		
33	+	123149-43130	1	WASHER			
35	+	123146-10631	1	PLUG, WELCH			

Index

Patrs Number	Key No.	Patrs Number	Key No.	Patrs Number	Key No.
100000-32431	1 - 3	123130-02960	7 - 30	131205-19830	4 - 9
100000-32432	1 - 3	123131-19830	7 - 14	131300-56430	4 - 55
100011-32430	1 - 7	123132-16130	7 - 13	131312-32430	4 - 58
100011-32431	1 - 7	123132-32430	7 - 6	131328-40630	4 - 56
100012-32430	1 - 10	123135-10630	7 - 8	132010-30830	4 - 8
100013-32430	1 - 8	123136-10630	7 - 7	132011-19830	4 - 7
100015-00230	1 - 9	123137-19830	7 - 23	132012-19830	4 - 6
100100-06060	1 - 27	123138-03930	7 - 24	132013-26630	4 - 10
100100-06061	1 - 27	123139-03930	7 - 25	132115-01461	4 - 5
100142-30830	1 - 28	123140-16131	7 - 27	145510-32431	2 - 49
100143-19830	3 - 7	123141-16131	7 - 28	145610-32430	2 - 50
100204-06062	1 - 24	123142-17330	7 - 29	145711-32430	2 - 51
100204-06063	1 - 24	123146-10631	7 - 35	145861-06061	2 - 54
100204-06064	1 - 24	123149-43130	7 - 33	150611-06060	3 - 22
100204-06065	1 - 24	123154-10630	7 - 10	156114-04920	2 - 38
100212-19830	1 - 32	123156-12330	7 - 15	156601-32631	3 - 29
100212-32430	1 - 22	123183-40630	7 - 31	156611-19830	3 - 22
100215-02830	1 - 25	123184-06060	7 - 32	156635-32530	2 - 42
100242-32430	1 - 42	129010-32430	2 - 62	156800-32631	3 - 5
100251-32430	1 - 41	129013-30831	2 - 15	159010-13930	3 - 25
100905-32331	2 - 18	129027-06060	2 - 64	159011-03432	3 - 24
100915-33930	4 - 17	130110-19830	2 - 20	159012-03433	3 - 23
100917-32430	1 - 29	130111-00530	4 - 57	162021-32530	2 - 35
100918-19830	4 - 15	130305-06060	2 - 7	163400-30830	2 - 33
100921-32431	4 - 41	130305-07060	2 - 7	163810-30130	2 - 41
100922-32430	4 - 12	130305-07061	2 - 7	163911-30130	4 - 30
101001-32431	1 - 6	130305-25060	2 - 4	175000-06061	5 - 17
101010-32431	1 - 4	130305-25061	2 - 4	175002-32430	5 - 19
101506-07060	1 - 45	130306-06061	2 - 37	175002-32431	5 - 19
101506-07061	1 - 45	130306-20761	2 - 37	175005-06060	5 - 16
101521-32330	3 - 6	130306-20762	2 - 37	175013-02761	5 - 15
101535-32430	3 - 31	130313-06061	2 - 6	175016-16130	5 - 20
101535-32431	3 - 31	130314-06061	2 - 9	175018-32430	5 - 18
123000-06061	2 - 25	130314-07060	2 - 9	175019-16130	5 - 21
123000-06061	7 -	130314-07061	2 - 9	175044-03430	5 - 12
123110-16130	7 - 1	130314-07062	2 - 9	177200-32435	3 - 32
123112-12330	7 - 4	130322-05260	2 - 5	177200-32436	3 - 32
123113-16130	7 - 11	130322-05261	2 - 5	177215-07060	3 - 35
123114-03930	7 - 5	130331-06060	2 - 85	177215-32330	3 - 35
123114-38830	7 - 5	130435-07060	2 - 13	177218-32630	3 - 11
123117-32630	7 - 12	130510-32430	1 - 13	177220-02834	3 - 38
123118-18330	7 - 20	130516-30830	1 - 12	177221-02830	3 - 39
123120-06060	7 - 18	130518-06060	2 - 24	177221-07060	3 - 37
123121-16130	7 - 19	130712-06060	2 - 8	177226-06060	3 - 36
123122-39830	7 - 22	130712-06061	2 - 8	177227-07060	3 - 42
123123-18330	7 - 21	130821-06060	2 - 23	177228-30830	3 - 41
123124-19830	7 - 2	131004-19831	4 - 35	177234-19830	3 - 9
123125-12330	7 - 3	131050-19830	4 - 37	177234-19831	3 - 9
123126-10631	7 - 9	131051-19830	4 - 39	177234-19832	3 - 9

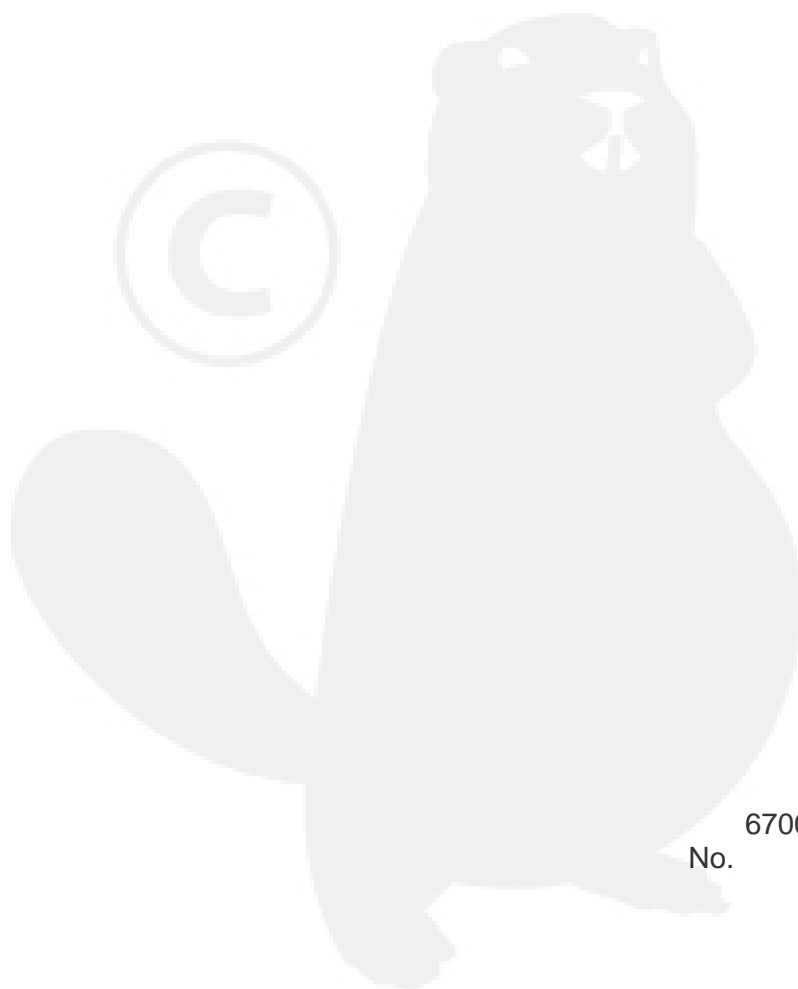
Index

Patrs Number	Key No.	Patrs Number	Key No.	Patrs Number	Key No.
177247-07060	3 - 10	611219-06060	5 - 36	900238-05025	2 - 11
178010-19830	4 - 23	685010-05260	6 - 26	900238-05025	5 - 6
178011-32630	2 - 30	685011-05260	6 - 27	900238-05025	5 - 8
178043-19830	4 - 22	689010-07061	6 - 11	900238-05030	4 - 47
178073-32430	4 - 21	689013-05260	6 - 13	900238-05035	4 - 54
178090-30130	4 - 20	689015-05260	6 - 24	900241-04010	6 - 15
178114-32630	2 - 32	689020-06060	6 - 20	900242-04008	3 - 27
178302-12330	4 - 34	689023-05260	6 - 21	900246-03008	4 - 38
178510-32330	2 - 29	689024-05260	6 - 10	900252-04010	2 - 44
178810-33330	2 - 28	689025-05260	6 - 12	900252-05010	2 - 43
178810-33331	2 - 28	890057-05260	2 - 3	900252-05014	2 - 21
305114-06060	4 - 48	890112-06060	2 - 1	900252-05053	2 - 22
305115-06060	4 - 53	890112-38130	3 - 45	900300-30018	2 - 86
351103-06061	4 - 43	890118-07060	5 - 33	900342-50025	4 - 24
351103-06062	4 - 43	890118-17930	3 - 45	900500-00008	3 - 8
351111-19830	4 - 25	890157-30130	2 - 34	900600-00010	6 - 23
351155-30131	4 - 19	890160-05260	2 - 2	900603-00005	3 - 12
351155-35430	4 - 19	890160-06060	1 - 48	900603-00005	3 - 34
351606-06060	4 - 44	890185-03460	2 - 17	900605-00010	6 - 22
351611-06060	4 - 51	890188-05260	6 - 41	900702-00032	5 - 13
351612-06060	4 - 49	892050-05260	6 - 40	900720-00029	2 - 10
351616-32430	4 - 46	895410-00430	6 - 34	900720-20007	2 - 16
351630-06060	4 - 50	895410-10630	6 - 33	900720-20029	4 - 36
433011-06060	1 - 20	895610-00130	6 - 30	900810-36202	1 - 26
433019-12330	5 - 25	895612-03430	6 - 31	900812-06201	5 - 14
433162-19930	2 - 87	895811-00130	6 - 32	900812-06203	6 - 8
436013-06061	1 - 35	898510-39130	6 - 36	A220-000030	2 - 37
436114-13930	1 - 36	899580-68730	6 - 42	C454-000000	2 - 30
437217-20760	4 - 6	900105-04006	5 - 22	V203-000150	3 - 4
610320-03830	5 - 11	900162-04008	2 - 55	V206-000160	6 - 19
611007-05260	6 - 7	900162-04020	3 - 18	V540-000090	2 - 10
611010-06060	6 - 5	900162-05014	2 - 52	X690-000030	6 - 42
611011-06060	6 - 9	900162-05014	3 - 4		
611014-05263	6 - 16	900162-05014	3 - 33		
611015-05263	6 - 17	900162-05014	4 - 14		
611019-05260	6 - 18	900162-05020	1 - 5		
611020-05261	6 - 19	900162-05020	1 - 46		
611021-05261	5 - 5	900162-05020	2 - 36		
611110-06060	5 - 23	900162-05020	3 - 4		
611111-06060	5 - 7	900162-05020	3 - 13		
611116-06060	5 - 9	900162-05030	4 - 52		
611117-06060	5 - 35	900162-05035	1 - 31		
611212-06060	6 - 6	900238-04014	4 - 18		
611213-05260	5 - 31	900238-05014	1 - 30		
611214-05260	5 - 27	900238-05016	2 - 12		
611215-06060	5 - 26	900238-05016	2 - 12		
611216-05260	5 - 28	900238-05020	4 - 45		
611217-05260	5 - 29	900238-05020	5 - 4		
611218-05260	5 - 30	900238-05020	5 - 32		

YAMABIKO CORPORATION

7-2 SUEHIROCHO 1-CHOME, OHME, TOKYO 198-8760, JAPAN
PHONE: 81-428-32-6118. FAX: 81-428-32-6145.

ECHO®



6700
No.