



# **PARTS CATALOG**

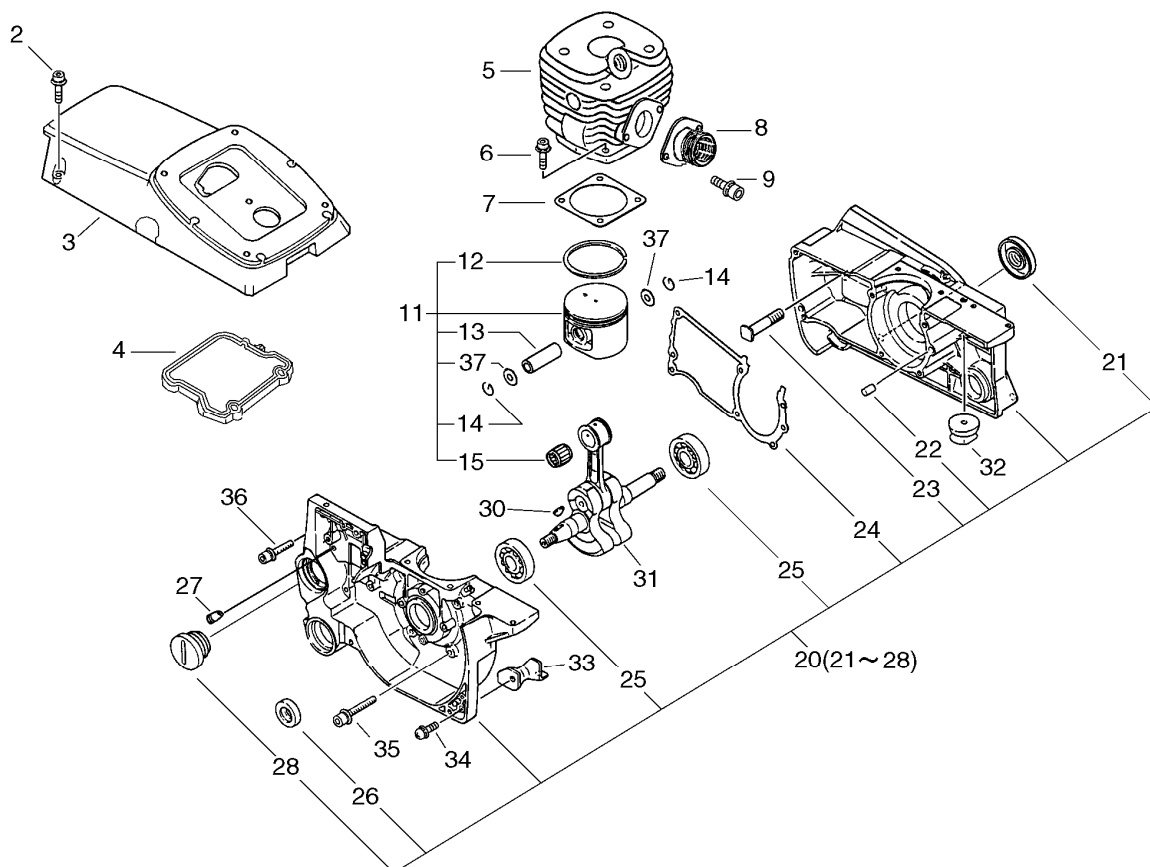
## **ENGINE CUTTER**

### **CSG-680(36)**

**36001681 -**

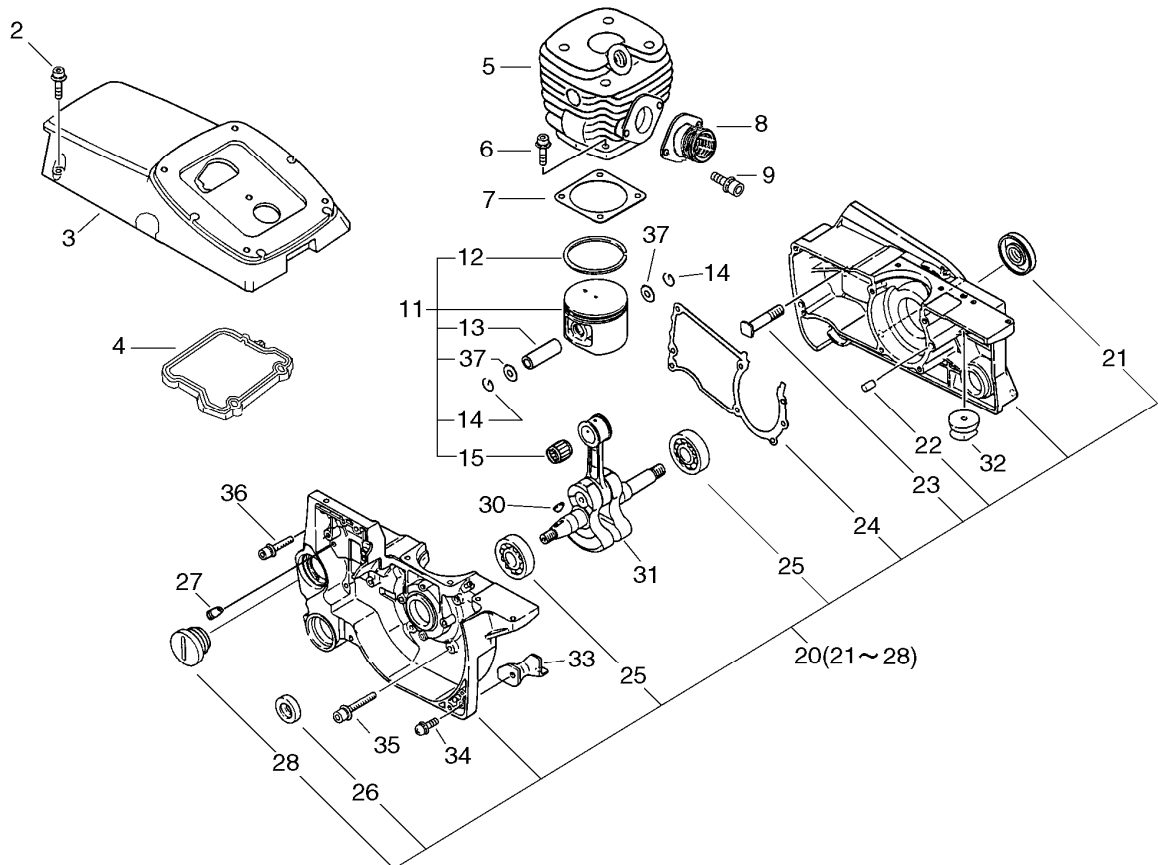
P014-000510-101b

## 1. CYLINDER, CRANKCASE, PISTON



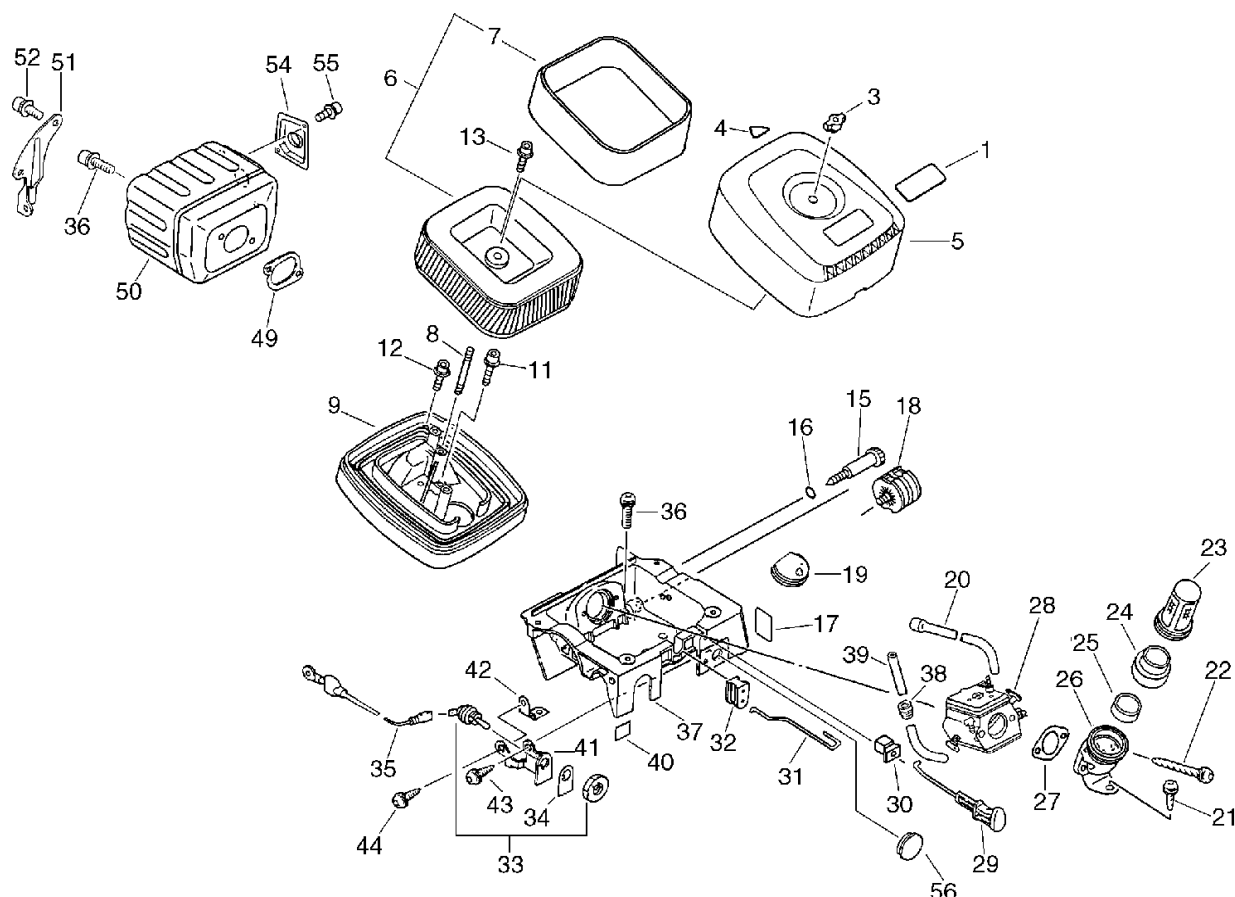
| KEY | LV | PART NUMBER  | Q'TY | DESCRIPTION        | REMARKS       | NOTE1                 | NOTE2 |
|-----|----|--------------|------|--------------------|---------------|-----------------------|-------|
| 2   |    | 900162-05020 | 5    | BOLT, H.S. 5*20    | 5*20 W,SW     |                       |       |
| 3   |    | A160-000601  | 1    | COVER,CYLINDER     |               |                       |       |
| 4   |    | V420-000701  | 1    | CUSHION            |               |                       |       |
| 5   |    | A130-000172  | 1    | CYLINDER           |               | Sus. by<br>A130000980 |       |
| 5   |    | A130-000980  | 1    | CYLINDER           |               |                       |       |
| 6   |    | 900162-05025 | 4    | BOLT, H.S. 5*25    | 5*25 W,SW     |                       |       |
| 7   |    | 101010-32431 | 1    | GASKET, CYL. BASE  |               |                       |       |
| 8   |    | A202-000040  | 1    | BELLOWS,INTAKE     |               |                       |       |
| 9   |    | 900162-05014 | 2    | BOLT, H.S. 5*14    | 5*14 W,SW     |                       |       |
| 11  |    | P021-015290  | 1    | PISTON KIT         |               |                       |       |
| 12  | +  | A101-000150  | 1    | RING, PISTON       | 50*1.2*2.2    |                       |       |
| 13  | +  | V610-000000  | 1    | PIN,ENG 12         |               |                       |       |
| 14  | +  | V580-000000  | 2    | RING,END           |               |                       |       |
| 15  | +  | 100012-32430 | 1    | BEARING, NEEDLE    |               |                       |       |
| 37  | +  | 100014-18430 | 2    | SPACER, PISTON PIN |               |                       |       |
| 20  |    | P021-007490  | 1    | CRANKCASE KIT      |               |                       |       |
| 21  | +  | 100212-32430 | 1    | OILSEAL (L)        | 25Z-15*39.9*7 |                       |       |
| 22  | +  | 100215-02830 | 2    | PIN, DOWEL         |               |                       |       |
| 23  | +  | 433011-21860 | 2    | STUD, GUIDE BAR    |               |                       |       |
| 24  | +  | 100242-32430 | 1    | GASKET, CRANKCASE  |               |                       |       |
| 25  | +  | 900810-36202 | 2    | BEARING, BALL 6202 | 6202/C3       |                       |       |
| 26  | +  | 100212-19830 | 1    | OILSEAL            | ISM 15*25*6   |                       |       |
| 27  | +  | 436114-13930 | 1    | VALVE, CHECK       |               |                       |       |
| 28  | +  | 436013-06061 | 1    | PLUG               |               |                       |       |

# 1. CYLINDER, CRANKCASE, PISTON



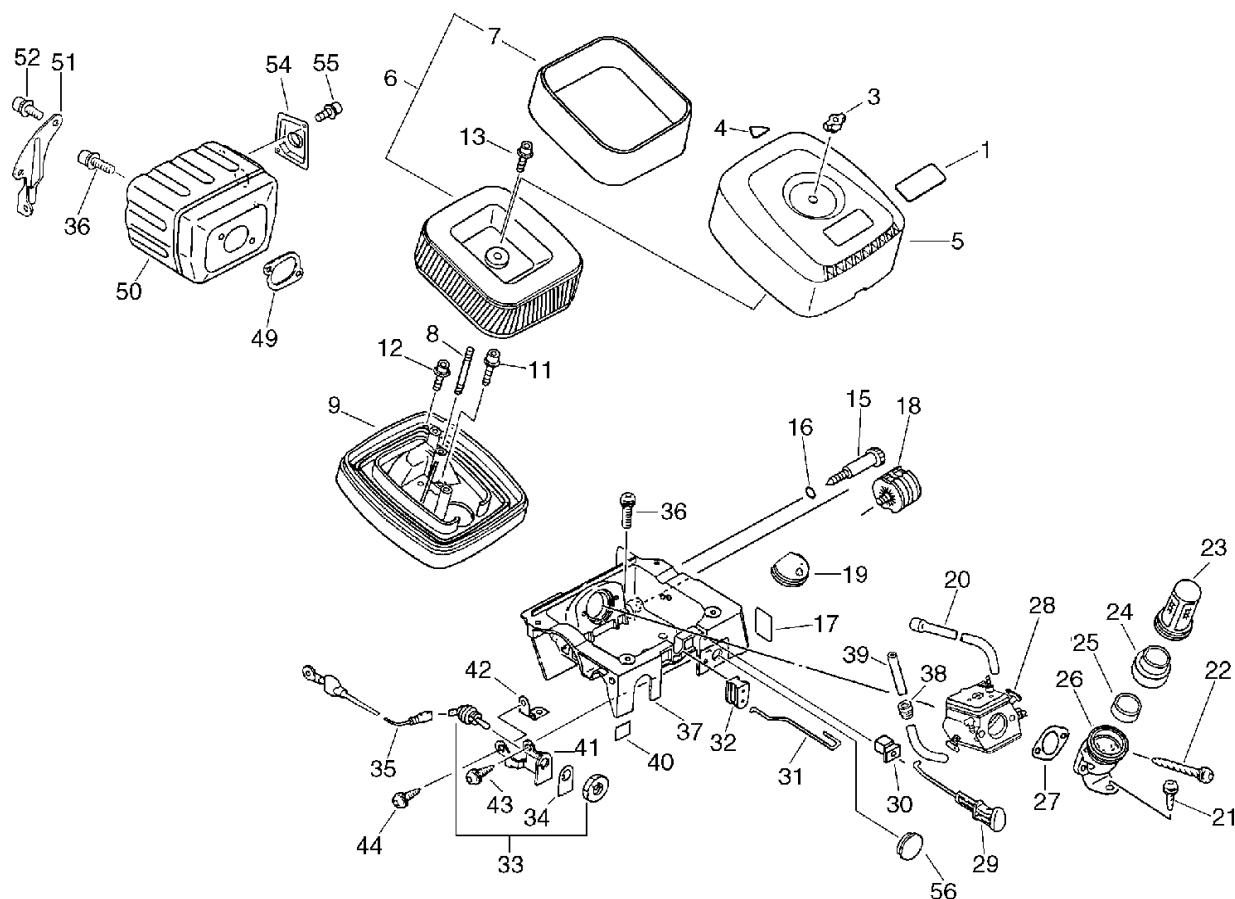
| KEY | LV | PART NUMBER  | Q'TY | DESCRIPTION     | REMARKS   | NOTE1 | NOTE2 |
|-----|----|--------------|------|-----------------|-----------|-------|-------|
| 30  |    | 100142-30830 | 1    | KEY, WOODRUFF   |           |       |       |
| 31  |    | A011-000292  | 1    | CRANKSHAFT,ASM  |           |       |       |
| 32  |    | 100251-32430 | 1    | CUSHION (A)     |           |       |       |
| 33  |    | 100917-32430 | 1    | CUSHION (B)     |           |       |       |
| 34  |    | 900238-05014 | 1    | SCREW 5*14      | 5*14      |       |       |
| 35  |    | 900162-05035 | 4    | BOLT, H.S. 5*35 | 5*35 W,SW |       |       |
| 36  |    | 900162-05020 | 2    | BOLT, H.S. 5*20 | 5*20 W,SW |       |       |

## 2. AIR CLEANER, CARBURETOR, MUFFLER



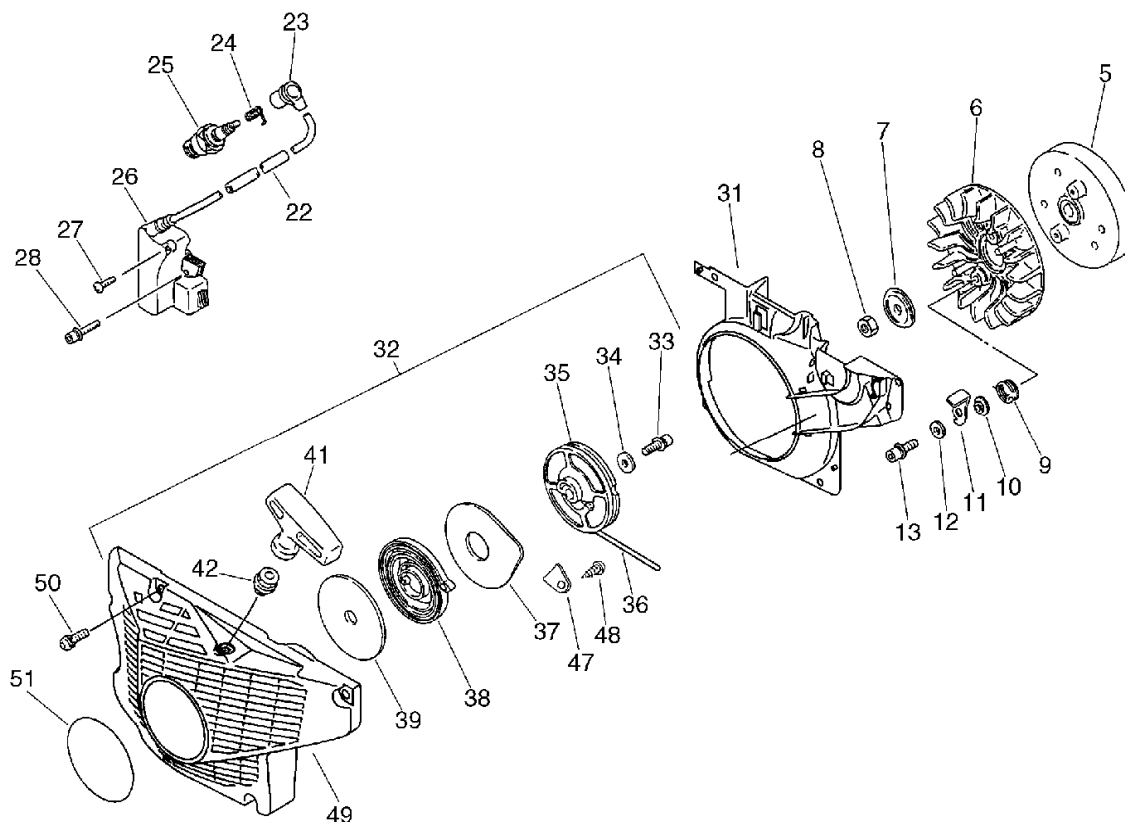
| KEY | LV | PART NUMBER  | Q'TY | DESCRIPTION          | REMARKS | NOTE1 | NOTE2 |
|-----|----|--------------|------|----------------------|---------|-------|-------|
| 1   |    | X503-005551  | 1    | LABEL,MODEL          |         |       |       |
| 3   |    | 130322-05261 | 1    | NUT                  |         |       |       |
| 4   |    | 890057-07060 | 1    | LABEL                |         |       |       |
| 5   |    | 130313-06061 | 1    | COVER, AIR CLEANER   |         |       |       |
| 6   |    | 130305-07061 | 1    | FILTER, AIR          |         |       |       |
| 7   | +  | 130305-25061 | 1    | FILTER, AIR          |         |       |       |
| 8   |    | 130712-06061 | 1    | STUD                 | 5*42    |       |       |
| 9   |    | A225-000130  | 1    | CASE,CLEANER         |         |       |       |
| 11  |    | 900238-05025 | 1    | SCREW 5*25           | 5*25    |       |       |
| 12  |    | 900238-05016 | 4    | SCREW 5*16           | 5*16    |       |       |
| 13  |    | 130435-07060 | 2    | BOLT                 |         |       |       |
| 15  |    | 129013-30831 | 1    | SCREW, IDLE SPEED    |         |       |       |
| 16  |    | 900720-20007 | 1    | O-RING 7             | P-7     |       |       |
| 17  |    | 890185-03460 | 1    | LABEL, IDLE          |         |       |       |
| 18  |    | 100905-32331 | 1    | CUSHION (R)          |         |       |       |
| 19  |    | V140-000010  | 1    | GROMMET,HOSE         |         |       |       |
| 20  |    | 130110-19830 | 1    | PIPE, IMPULSE        |         |       |       |
| 21  |    | 900252-05014 | 1    | SCREW 5*14           | 5*14    |       |       |
| 22  |    | 900252-05053 | 2    | SCREW 5*53           | 5*53    |       |       |
| 23  |    | 130821-06060 | 1    | SCREEN               |         |       |       |
| 24  |    | V420-000691  | 1    | CUSHION              |         |       |       |
| 25  |    | V362-000020  | 1    | COLLAR,22            |         |       |       |
| 26  |    | A204-000030  | 1    | ELBOW,CARBURETOR     |         |       |       |
| 27  |    | 130010-20760 | 1    | GASKET, INTAKE       |         |       |       |
| 28  |    | A021-000730  | 1    | CARBURETOR,DIAPHRAGM | HDA-216 |       |       |
| 29  |    | 178510-32330 | 1    | ROD, CHOKE           |         |       |       |

## 2. AIR CLEANER, CARBURETOR, MUFFLER



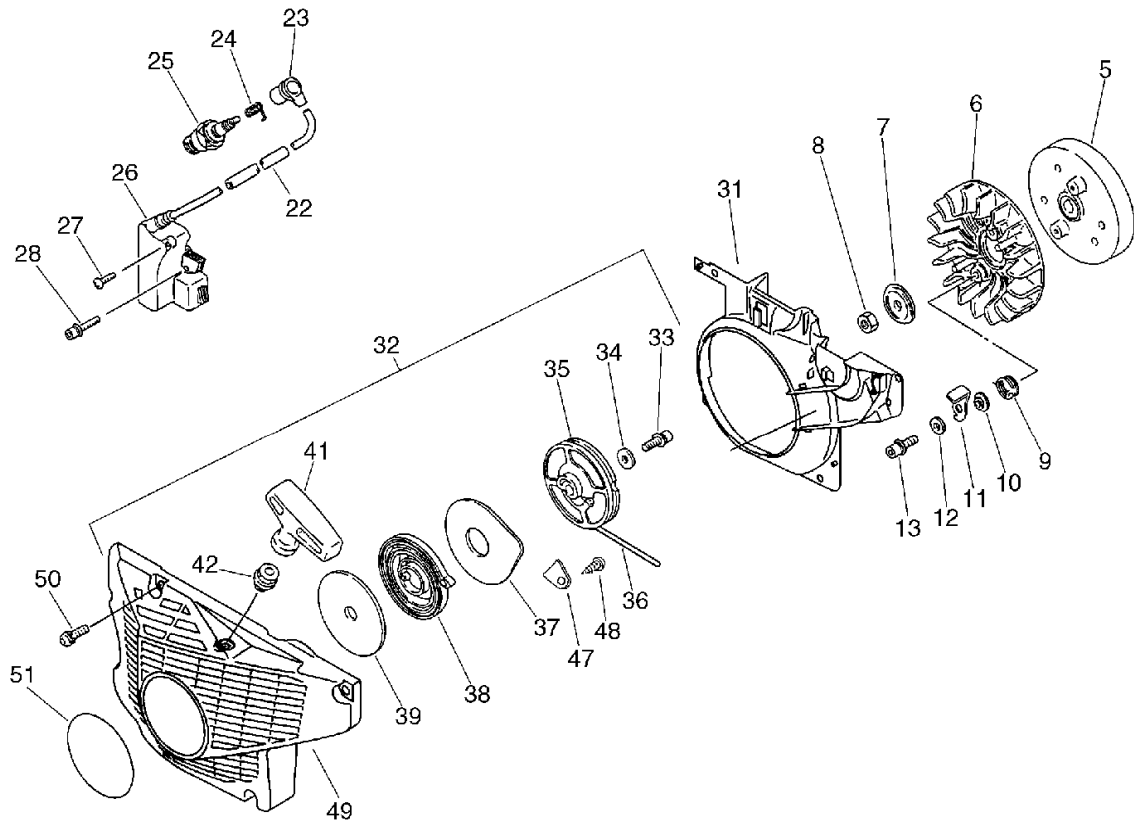
| KEY | LV | PART NUMBER  | Q'TY | DESCRIPTION        | REMARKS   | NOTE1 | NOTE2 |
|-----|----|--------------|------|--------------------|-----------|-------|-------|
| 30  |    | 178810-33331 | 1    | GROMMET, CHOKE     |           |       |       |
| 31  |    | 178011-32630 | 1    | ROD, THROTTLE      |           |       |       |
| 32  |    | 178114-32630 | 1    | HOLDER, THR. LEVER |           |       |       |
| 33  |    | 163400-30830 | 1    | SWITCH, IGNITION   |           |       |       |
| 34  |    | 890157-30130 | 1    | LABEL, SWITCH      |           |       |       |
| 35  |    | 162021-32530 | 1    | LEAD               |           |       |       |
| 36  |    | 900162-05020 | 6    | BOLT, H.S. 5*20    | 5*20 W,SW |       |       |
| 37  |    | A220-000030  | 1    | CASE, CARBURETOR   |           |       |       |
| 38  |    | 132115-01461 | 1    | GROMMET            |           |       |       |
| 39  |    | 437211-14730 | 1    | PIPE, OIL          | 6*3*130L  |       |       |
| 40  |    | 890157-39130 | 1    | LABEL, SWITCH      |           |       |       |
| 41  |    | 163810-30130 | 1    | BRACKET, SWITCH    |           |       |       |
| 42  |    | 156635-32530 | 1    | PLATE, GROUND      |           |       |       |
| 43  |    | 900252-05010 | 1    | SCREW 5*10         | 5*10      |       |       |
| 44  |    | 900252-04010 | 1    | SCREW 4*10         | 4*10      |       |       |
| 49  |    | 145510-32431 | 1    | GASKET, MUFFLER    |           |       |       |
| 50  |    | A300-000781  | 1    | MUFFLER, EXHAUST   |           |       |       |
| 51  |    | 145711-32430 | 1    | BRACKET, MUFFLER   |           |       |       |
| 52  |    | 900162-05014 | 2    | BOLT, H.S. 5*14    | 5*14 W,SW |       |       |
| 54  |    | A313-000460  | 1    | GUIDE, EXH         |           |       |       |
| 55  |    | 900162-04010 | 2    | BOLT, H.S. 4*10    | 4*10 W,SW |       |       |
| 56  |    | 101578-38431 | 1    | PLUG               |           |       |       |

## 3. STARTER, MAGNETO



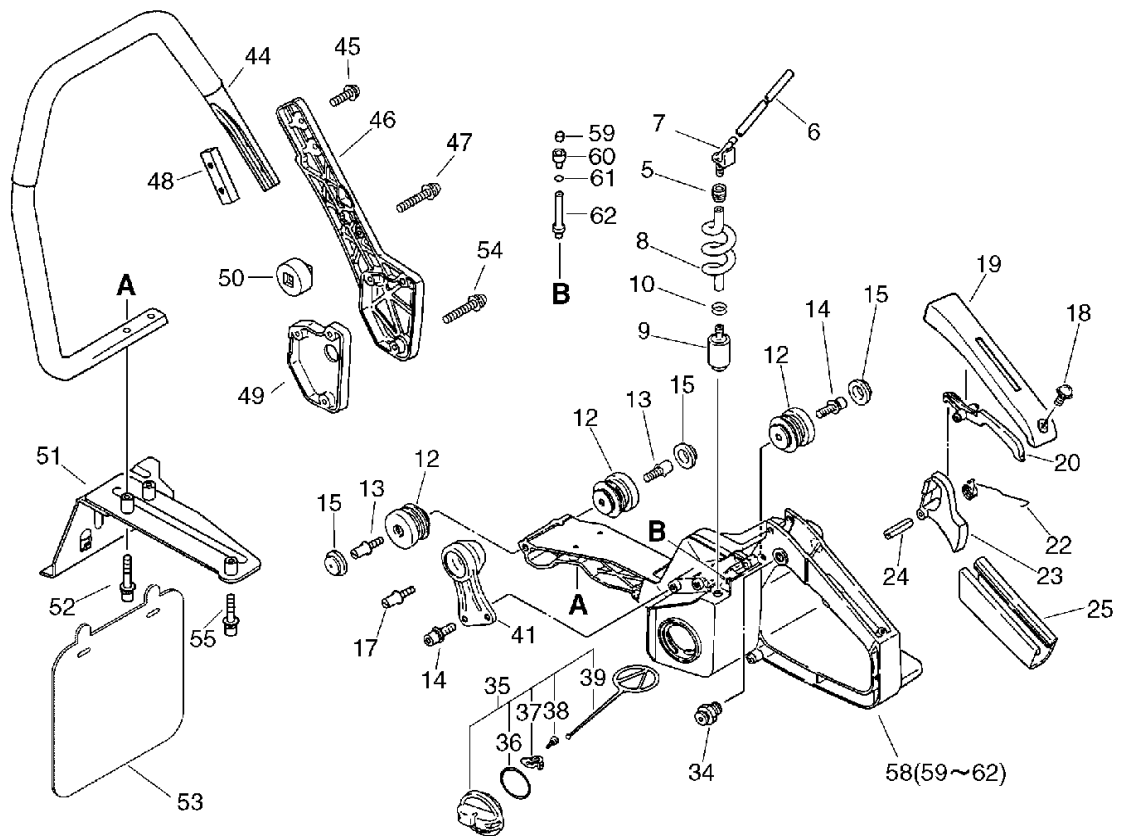
| KEY | LV | PART NUMBER  | Q'TY | DESCRIPTION           | REMARKS    | NOTE1 | NOTE2 |
|-----|----|--------------|------|-----------------------|------------|-------|-------|
| 5   |    | 156800-32631 | 1    | ROTOR, MAGNETO        |            |       |       |
| 6   |    | 101521-32330 | 1    | FAN, COOLING          |            |       |       |
| 7   |    | 100143-19830 | 1    | WASHER                | 8.2*31*0.8 |       |       |
| 8   |    | 900500-00008 | 1    | NUT 8                 | 8*P1.25    |       |       |
| 9   |    | 177234-19832 | 2    | SPRING, RETURN        |            |       |       |
| 10  |    | V353-000201  | 2    | COLLAR,5              |            |       |       |
| 11  |    | 177218-32631 | 2    | PAWL, STARTER         |            |       |       |
| 12  |    | 900603-00005 | 2    | WASHER 5              | 5.5*12*0.8 |       |       |
| 13  |    | V203-000150  | 2    | BOLT,5                | 5*18       |       |       |
| 22  |    | 156611-19830 | 1    | TUBE                  |            |       |       |
| 23  |    | A427-000013  | 1    | CAP, SPARK PLUG       |            |       |       |
| 24  |    | A426-000010  | 1    | TERMINAL, SPARK PLUG  |            |       |       |
| 25  |    | 159010-10230 | 1    | PLUG, SPARK (BPMR-7A) | BPMR-7A    |       |       |
| 26  |    | 156601-32632 | 1    | COIL, IGNITION        |            |       |       |
| 27  |    | 900242-04008 | 1    | SCREW                 | 4*8        |       |       |
| 28  |    | 900162-04020 | 2    | BOLT, H.S. 4*20       | 4*20 W,SW  |       |       |
| 31  |    | A172-000130  | 1    | COVER, FAN            |            |       |       |
| 32  |    | P021-007500  | 1    | STARTER ASY           |            |       |       |
| 33  | +  | 900162-05014 | 1    | BOLT, H.S. 5*14       | 5*14 W,SW  |       |       |
| 34  | +  | 900603-00005 | 1    | WASHER 5              | 5.5*12*0.8 |       |       |
| 35  | +  | 177215-07060 | 1    | DRUM, STARTER         |            |       |       |
| 36  | +  | 177226-06060 | 1    | ROPE, STARTER         | 3.8*900    |       |       |
| 37  | +  | 177221-07060 | 1    | PLATE, STARTER        |            |       |       |
| 38  | +  | 177220-02834 | 1    | SPRING, REWIND        |            |       |       |
| 39  | +  | 177221-02830 | 1    | PLATE, STARTER        |            |       |       |
| 41  | +  | 177228-30830 | 1    | GRIP, STARTER         |            |       |       |

## 3. STARTER, MAGNETO



| KEY | LV | PART NUMBER  | Q'TY | DESCRIPTION     | REMARKS   | NOTE1 | NOTE2 |
|-----|----|--------------|------|-----------------|-----------|-------|-------|
| 42  | +  | 177227-07060 | 1    | GUIDE, ROPE     |           |       |       |
| 47  | +  | 433144-15130 | 1    | PLATE,EYE       |           |       |       |
| 48  | +  | 900253-04008 | 1    | SCREW 4*8       | 4*8       |       |       |
| 49  | +  | A500-000061  | 1    | CASE,STARTER    |           |       |       |
| 50  |    | 900162-05020 | 4    | BOLT, H.S. 5*20 | 5*20 W,SW |       |       |
| 51  |    | X502-000460  | 1    | LABEL,ECHO      |           |       |       |

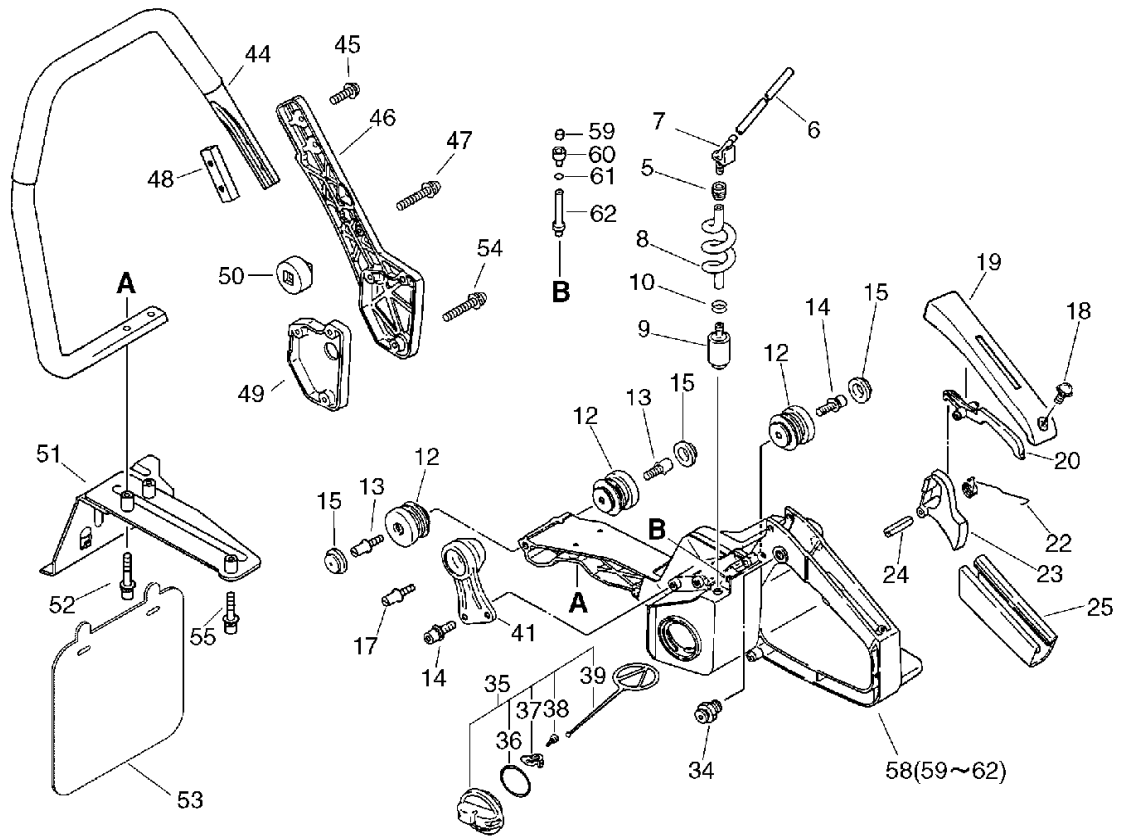
## 4. HANDLE



| KEY | LV | PART NUMBER  | Q'TY | DESCRIPTION          | REMARKS     | NOTE1 | NOTE2 |
|-----|----|--------------|------|----------------------|-------------|-------|-------|
| 5   |    | 132115-01461 | 1    | GROMMET              |             |       |       |
| 6   |    | 437217-20760 | 1    | PIPE 3* 6*100        | 3*6*100 NBR |       |       |
| 7   |    | 132011-19831 | 1    | CONNECTOR, FUEL PIPE |             |       |       |
| 8   |    | 132010-30830 | 1    | PIPE                 |             |       |       |
| 9   |    | 131205-19831 | 1    | STRAINER, FUEL       |             |       |       |
| 10  |    | 132013-26630 | 1    | CLIP                 | 6.5MM       |       |       |
| 12  |    | 100922-32430 | 3    | CUSHION (A)          |             |       |       |
| 13  |    | 100915-32530 | 2    | BOLT                 |             |       |       |
| 14  |    | 900162-05014 | 2    | BOLT, H.S. 5*14      | 5*14 W.SW   |       |       |
| 15  |    | 100918-19830 | 3    | CAP, CUSHION         |             |       |       |
| 17  |    | 100915-33930 | 1    | SCREW                |             |       |       |
| 18  |    | 900238-04014 | 1    | SCREW 4*14           | 4*14        |       |       |
| 19  |    | 351155-35430 | 1    | COVER, HANDLE (BL)   |             |       |       |
| 20  |    | 178090-37930 | 1    | LOCKOUT, T. CONTROL  |             |       |       |
| 22  |    | 178043-19830 | 1    | SPRING, THR. RETURN  |             |       |       |
| 23  |    | C450-000281  | 1    | TRIGGER, THROTTLE    |             |       |       |
| 24  |    | 900342-50025 | 1    | PIN, SPRING 5*25     | 5*25        |       |       |
| 25  |    | 351111-19830 | 1    | GRIP, HANDLE         |             |       |       |
| 34  |    | 178302-12330 | 1    | LATCH, THROTTLE      |             |       |       |
| 35  |    | 131004-37631 | 1    | CAP ASSY, FUEL TANK  |             |       |       |
| 36  | +  | 900720-20029 | 1    | O-RING 29            | P-29        |       |       |
| 37  | +  | 131050-19830 | 1    | RETAINER, LINK       |             |       |       |
| 38  | +  | 900246-03008 | 1    | SCREW 3*8            | 3*8         |       |       |
| 39  | +  | 131051-19830 | 1    | LINK                 | 60L         |       |       |
| 41  |    | 100921-32431 | 1    | CUSHION(C)           |             |       |       |
| 44  |    | C400-000240  | 1    | HANDLE, FRONT        |             |       |       |

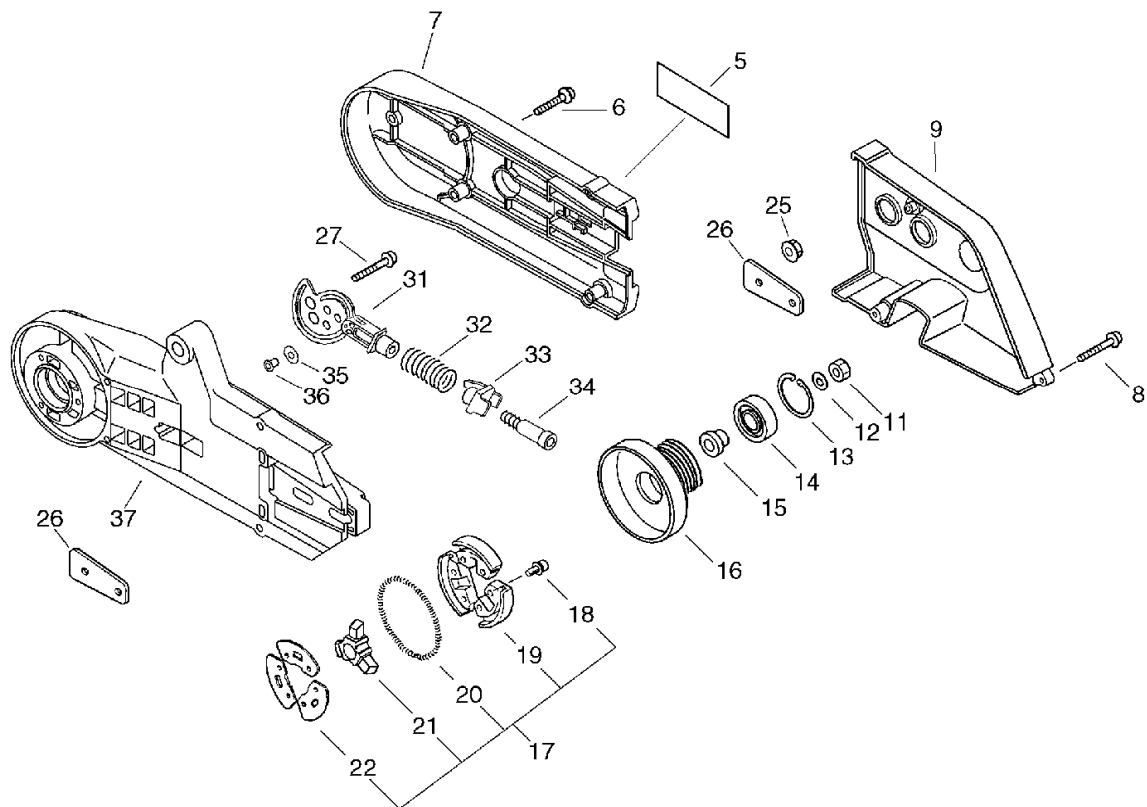


## 4. HANDLE



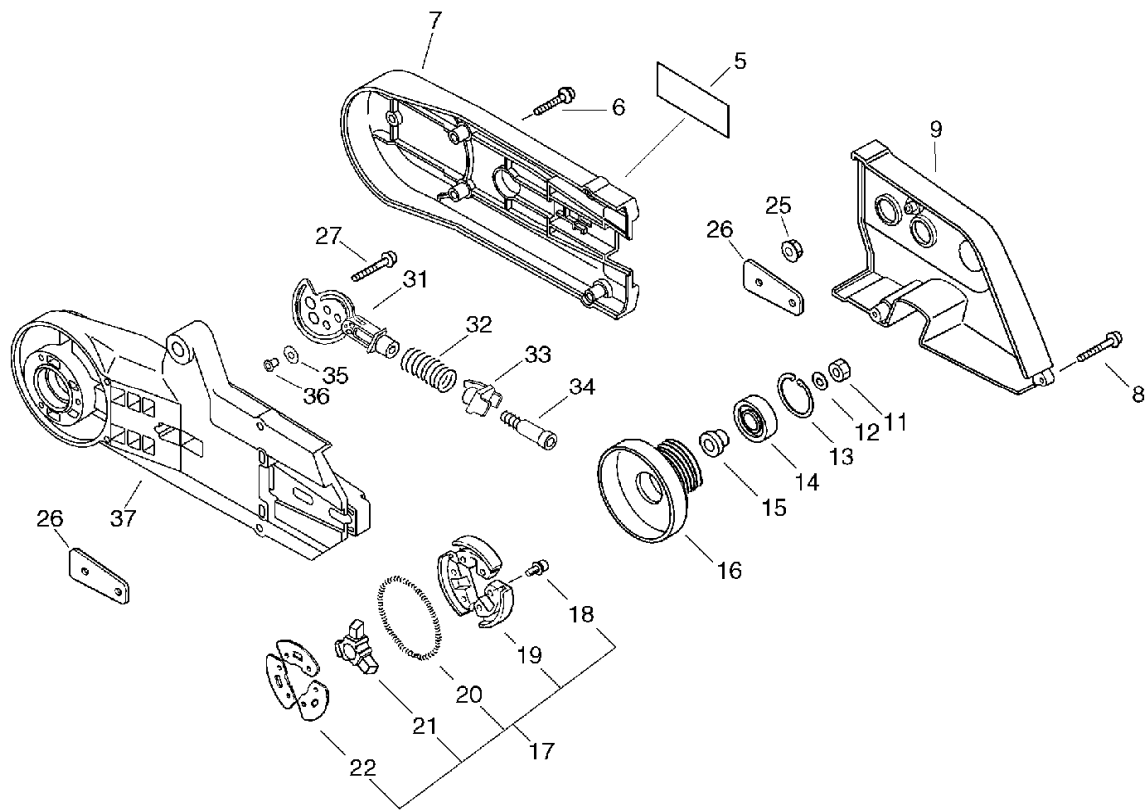
| KEY | LV | PART NUMBER  | Q'TY | DESCRIPTION     | REMARKS   | NOTE1 | NOTE2 |
|-----|----|--------------|------|-----------------|-----------|-------|-------|
| 45  |    | 900238-05020 | 2    | SCREW 5*20      | 5*20      |       |       |
| 46  |    | 351616-38130 | 1    | BRACKET, HANDLE |           |       |       |
| 47  |    | 900238-05030 | 1    | SCREW 5*30      | 5*30      |       |       |
| 48  |    | 305114-06060 | 1    | BRACKET         |           |       |       |
| 49  |    | 351612-06061 | 1    | SPACER          |           |       |       |
| 50  |    | 351630-06060 | 1    | SPACER          |           |       |       |
| 51  |    | C423-000130  | 1    | FIXTURE, HANDLE |           |       |       |
| 52  |    | 900162-05035 | 2    | BOLT, H.S. 5*35 | 5*35 W,SW |       |       |
| 53  |    | 305115-06061 | 1    | SHIELD          |           |       |       |
| 54  |    | 900238-05035 | 3    | SCREW 5*35      | 5*35      |       |       |
| 55  |    | 900162-05030 | 1    | BOLT, H.S. 5*30 | 5*30 W,SW |       |       |
| 58  |    | P021-007480  | 1    | HANDLE, REAR    |           |       |       |
| 59  | +  | 131300-56430 | 1    | VALVE, CHECK    |           |       |       |
| 60  | +  | 131328-40630 | 1    | COVER, VENT     |           |       |       |
| 61  | +  | 130111-00530 | 1    | CLIP            | 5.5       |       |       |
| 62  | +  | 131312-32430 | 1    | PIPE, VENT      |           |       |       |

## 5. CLUTCH, ARM COVER

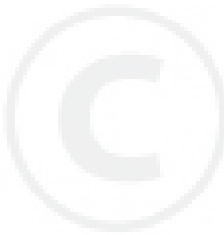


| KEY | LV | PART NUMBER  | Q'TY | DESCRIPTION       | REMARKS    | NOTE1 | NOTE2 |
|-----|----|--------------|------|-------------------|------------|-------|-------|
| 5   |    | X502-000540  | 1    | LABEL,ECHO        |            |       |       |
| 7   |    | C361-000010  | 1    | COVER,CUTTER ARM  |            |       |       |
| 6   |    | 900238-05025 | 4    | SCREW 5*25        | 5*25       |       |       |
| 8   |    | 900238-05025 | 3    | SCREW 5*25        | 5*25       |       |       |
| 9   |    | 611111-20760 | 1    | COVER, V-BELT BS  |            |       |       |
| 11  |    | 610320-03830 | 1    | NUT 8 L-H         |            |       |       |
| 12  |    | 900603-00008 | 1    | WASHER 8          | 8.5*18*1.6 |       |       |
| 13  |    | 900702-00028 | 1    | CIRCLIP 28        | CR-28      |       |       |
| 14  |    | 94002-36001  | 1    | BEARING, BALL     |            |       |       |
| 15  |    | V356-000260  | 1    | COLLAR,10         |            |       |       |
| 16  |    | A556-000310  | 1    | DRUM,CLUTCH       |            |       |       |
| 17  |    | 175000-06061 | 1    | CLUTCH ASSY       |            |       |       |
| 18  | +  | 900105-04006 | 6    | BOLT, H.S. 4*6    | 4*6        |       |       |
| 19  |    | 175002-32431 | 1    | SHOE, CLUTCH      |            |       |       |
| 20  | +  | 175018-32430 | 1    | SPRING, CLUTCH    |            |       |       |
| 21  | +  | 175016-16130 | 1    | HUB, CLUTCH       |            |       |       |
| 22  | +  | 175019-16130 | 3    | PLATE, CLUTCH     |            |       |       |
| 25  |    | 433019-12330 | 2    | NUT, FLANGE 8     | M-8        |       |       |
| 26  |    | 611117-06060 | 2    | SPACER, ARM       |            |       |       |
| 27  |    | 900162-05025 | 1    | BOLT, H.S. 5*25   | 5*25 W,SW  |       |       |
| 31  |    | P021-006652  | 1    | SHAFT, ARM ADJUST |            |       |       |
| 32  |    | 611216-05260 | 1    | SPRING, ADJUSTER  |            |       |       |
| 33  |    | V455-000030  | 1    | SEAT, SPRING      |            |       |       |
| 34  |    | V203-000070  | 1    | BOLT,5            |            |       |       |
| 35  |    | 175049-56030 | 1    | WASHER            | 8.5*16*0.5 |       |       |
| 36  |    | 104915-08260 | 1    | SPACER            |            |       |       |

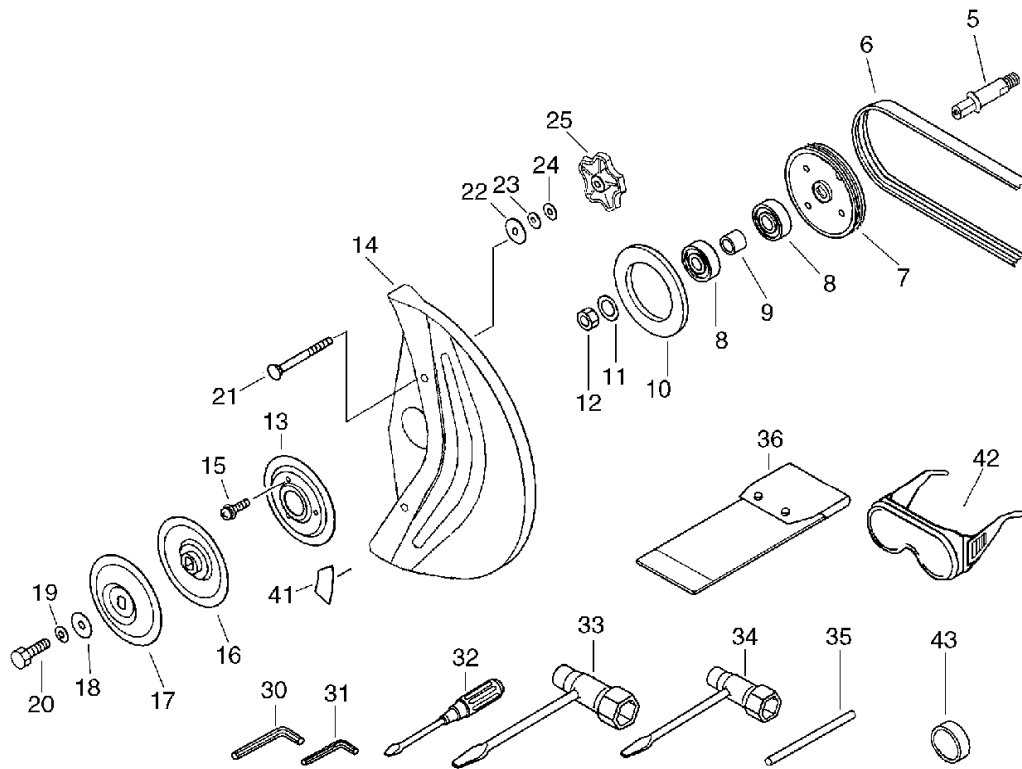
5. CLUTCH, ARM COVER



| KEY | LV | PART NUMBER | Q'TY | DESCRIPTION | REMARKS | NOTE1 | NOTE2 |
|-----|----|-------------|------|-------------|---------|-------|-------|
| 37  |    | C360-000012 | 1    | ARM,CUTTER  |         |       |       |

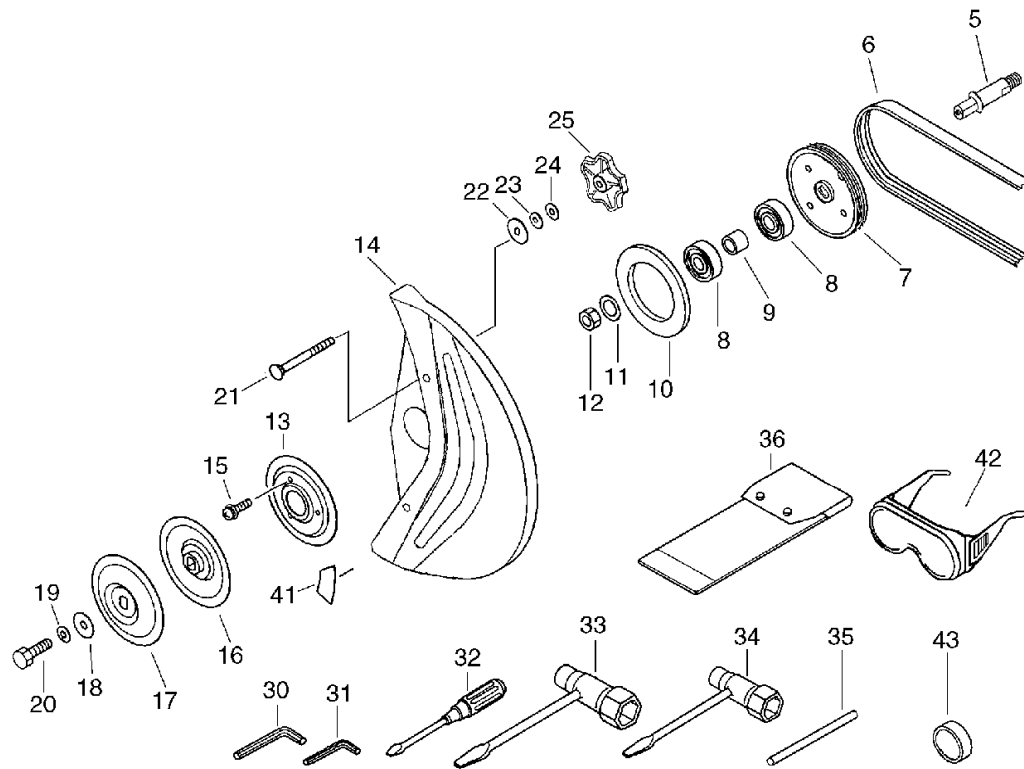


## 6. CUTTER COVER, BELT, TOOLS



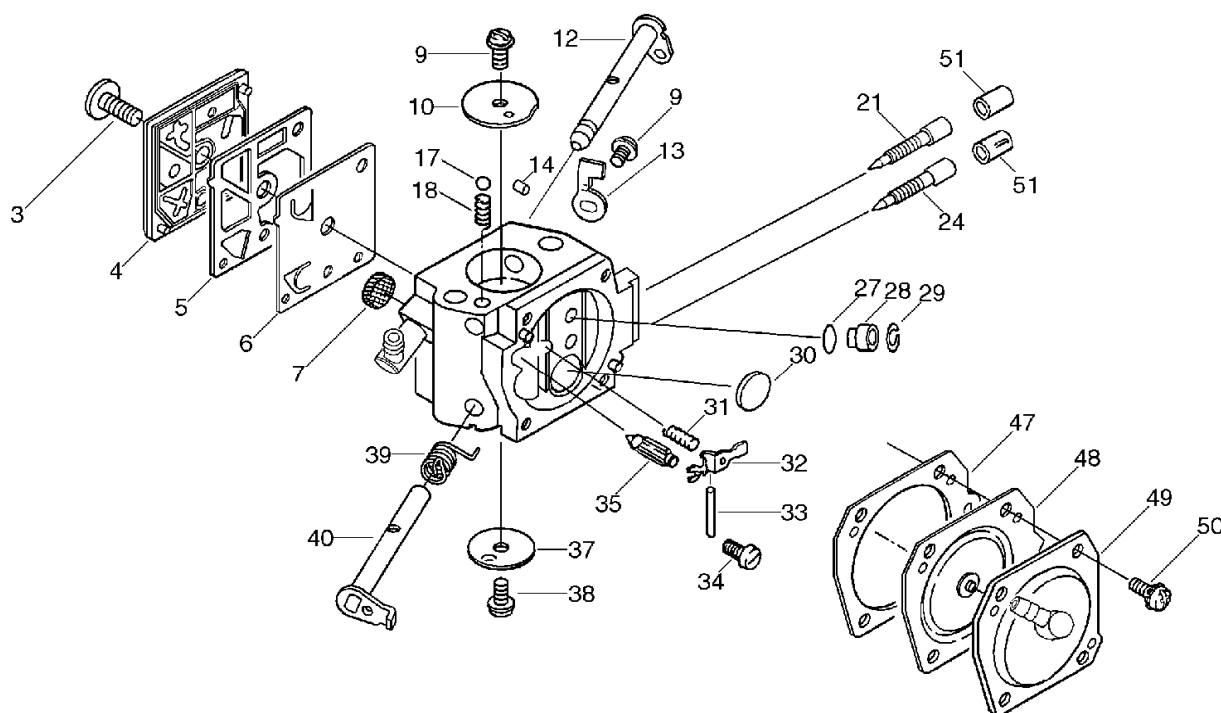
| KEY | LV | PART NUMBER  | Q'TY | DESCRIPTION          | REMARKS      | NOTE1 | NOTE2 |
|-----|----|--------------|------|----------------------|--------------|-------|-------|
| 5   |    | C364-000022  | 1    | SHAFT,CUTTER         |              |       |       |
| 6   |    | V196-000090  | 1    | BELT                 |              |       |       |
| 7   |    | V176-000031  | 1    | PULLEY               |              |       |       |
| 8   |    | 900812-06202 | 2    | BEARING, BALL 6202   | 6202DDU(LLU) |       |       |
| 9   |    | 606117-21860 | 1    | COLLAR               | 15.1*19.1*8  |       |       |
| 10  |    | 689024-05260 | 1    | PLATE, CUSHION       |              |       |       |
| 11  |    | 900602-00010 | 1    | WASHER 10(10.5*21*2) | 10.5*21*2    |       |       |
| 12  |    | 900501-00010 | 1    | NUT 10*1.25          | 10*P1.25     |       |       |
| 13  |    | C371-000000  | 1    | PLATE,CUTTER COVER   |              |       |       |
| 14  |    | C370-000020  | 1    | COVER,CUTTER         |              |       |       |
| 15  |    | 900241-04010 | 3    | SCREW 4*10           | 4*10         |       |       |
| 16  |    | 611014-07062 | 1    | FLANGE, CUTTER       |              |       |       |
| 17  |    | 611015-07062 | 1    | FLANGE, CUTTER       |              |       |       |
| 18  |    | 611019-05260 | 1    | WASHER               |              |       |       |
| 19  |    | 900605-00010 | 1    | WASHER, SPRING 10    | 10           |       |       |
| 20  |    | V206-000160  | 1    | BOLT,10              | M10*1.25*25  |       |       |
| 21  |    | V205-000300  | 1    | BOLT,8               | M8*1.25*50   |       |       |
| 22  |    | V306-000110  | 1    | WASHER,CIRCULAR 8    | 8.6*28*T2    |       |       |
| 23  |    | 900600-00008 | 1    | WASHER 8             | 8            |       |       |
| 24  |    | 900605-00008 | 1    | WASHER, SPRING 8     | 8            |       |       |
| 25  |    | V299-000210  | 1    | KNOB,FASTENER        |              |       |       |
| 30  |    | 895610-00130 | 1    | L-WRENCH (4MM)       |              |       |       |
| 31  |    | 895612-03430 | 1    | L-WRENCH (3MM)       |              |       |       |
| 32  |    | 895811-00130 | 1    | DRIVER, SCREW 125    |              |       |       |
| 33  |    | 895410-10630 | 1    | WRENCH, W/S. DRIVER  |              |       |       |
| 34  |    | 895410-00430 | 1    | WRENCH, W/S. DRIVER  |              |       |       |

## 6. CUTTER COVER, BELT, TOOLS



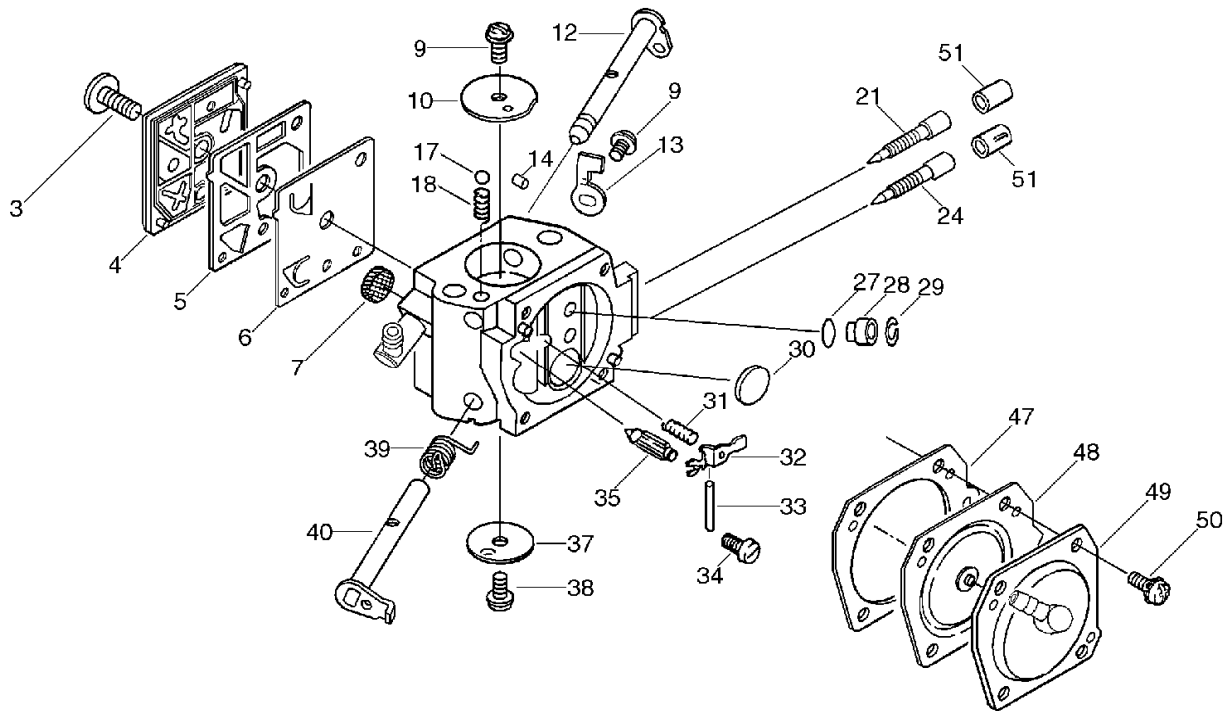
| KEY | LV | PART NUMBER  | Q'TY | DESCRIPTION      | REMARKS       | NOTE1 | NOTE2 |
|-----|----|--------------|------|------------------|---------------|-------|-------|
| 35  |    | X606-000080  | 1    | TOOL,BAR         | 5*120         |       |       |
| 36  |    | 898510-39130 | 1    | BAG, TOOL        |               |       |       |
| 41  |    | X505-001331  | 1    | LABEL, CAUTION   |               |       |       |
| 42  |    | X690-000050  | 1    | GOGGLE           | GOGGLE + NOTE |       |       |
| 43  |    | 611022-09160 | 1    | COLLAR 20*22*4.5 |               |       |       |

## 7. CARBURETOR



| KEY | LV | PART NUMBER  | Q'TY | DESCRIPTION          | REMARKS | NOTE1 | NOTE2 |
|-----|----|--------------|------|----------------------|---------|-------|-------|
|     |    | A021-000730  | 1    | CARBURETOR,DIAPHRAGM | HDA-216 |       |       |
| 3   | +  | 123110-03930 | 1    | SCREW, PUMP COVER    |         |       |       |
| 4   | +  | 123124-19830 | 1    | COVER, FUEL PUMP     |         |       |       |
| 5   | +  | 123125-12330 | 1    | GASKET, FUEL PUMP    |         |       |       |
| 6   | +  | 123112-12330 | 1    | DIAPHRAGM, FUEL PUMP |         |       |       |
| 7   | +  | 123126-10631 | 1    | SCREEN, INLET        |         |       |       |
| 9   | +  | 123114-38830 | 2    | SCREW                |         |       |       |
| 10  | +  | 123132-32430 | 1    | VALVE, CHOKE         |         |       |       |
| 12  | +  | 123131-19830 | 1    | SHAFT, CHOKE         |         |       |       |
| 13  | +  | 123156-30830 | 1    | STOP, THROTTLE       |         |       |       |
| 14  | +  | 123178-15030 | 1    | PLUG, FRICTION       |         |       |       |
| 17  | +  | 123136-10630 | 1    | BALL, CHOKE FRICTION |         |       |       |
| 18  | +  | 123135-10630 | 1    | SPRING, CHOKE FRICT. |         |       |       |
| 21  | +  | 123120-32631 | 1    | NEEDLE, HIGH SPEED   |         |       |       |
| 24  | +  | 123118-02261 | 1    | NEEDLE               |         |       |       |
| 27  | +  | 123183-40630 | 1    | O-RING               |         |       |       |
| 28  | +  | 123184-06060 | 1    | JET #42              | #42     |       |       |
| 29  | +  | 123169-10630 | 1    | RING, RETAINING      |         |       |       |
| 30  | +  | 123146-10631 | 1    | PLUG, WELCH          |         |       |       |
| 31  | +  | 123122-39830 | 1    | SPRING, METER. LEVER |         |       |       |
| 32  | +  | 123123-18330 | 1    | LEVER, METERING      |         |       |       |
| 33  | +  | 123138-03930 | 1    | PIN, METERING LEVER  |         |       |       |
| 34  | +  | 123139-03930 | 1    | SCREW, M. LEVER PIN  |         |       |       |
| 35  | +  | 123137-19830 | 1    | VALVE, INLET NEEDLE  |         |       |       |
| 37  | +  | 123132-16130 | 1    | VALVE, CHOKE         |         |       |       |
| 38  | +  | 123114-05260 | 1    | SCREW                |         |       |       |

## 7. CARBURETOR



| KEY | LV | PART NUMBER  | Q'TY | DESCRIPTION          | REMARKS | NOTE1 | NOTE2 |
|-----|----|--------------|------|----------------------|---------|-------|-------|
| 39  | +  | 123113-16130 | 1    | SPRING, THRT. RETURN |         |       |       |
| 40  | +  | 123117-32630 | 1    | SHAFT, THROTTLE      |         |       |       |
| 47  | +  | 123140-16131 | 1    | GASKET, M. DIAPHRAGM |         |       |       |
| 48  | +  | 123141-16131 | 1    | DIAPHRAGM, METERING  |         |       |       |
| 49  | +  | P003-000000  | 1    | COVER, M. DIAPHRAGM  |         |       |       |
| 50  | +  | 123130-02960 | 4    | SCREW                |         |       |       |
| 51  | +  | P003-000010  | 2    | LIMITER CAP          |         |       |       |

**Index**

| <b>Patrs Number</b> | <b>Key No.</b> | <b>Patrs Number</b> | <b>Key No.</b> | <b>Patrs Number</b> | <b>Key No.</b> |
|---------------------|----------------|---------------------|----------------|---------------------|----------------|
| 100012-32430        | 1 - 15         | 123184-06060        | 7 - 28         | 178011-32630        | 2 - 31         |
| 100014-18430        | 1 - 37         | 129013-30831        | 2 - 15         | 178043-19830        | 4 - 22         |
| 100142-30830        | 1 - 30         | 130010-20760        | 2 - 27         | 178090-37930        | 4 - 20         |
| 100143-19830        | 3 - 7          | 130110-19830        | 2 - 20         | 178114-32630        | 2 - 32         |
| 100212-19830        | 1 - 26         | 130111-00530        | 4 - 61         | 178302-12330        | 4 - 34         |
| 100212-32430        | 1 - 21         | 130305-07061        | 2 - 6          | 178510-32330        | 2 - 29         |
| 100215-02830        | 1 - 22         | 130305-25061        | 2 - 7          | 178810-33331        | 2 - 30         |
| 100242-32430        | 1 - 24         | 130313-06061        | 2 - 5          | 305114-06060        | 4 - 48         |
| 100251-32430        | 1 - 32         | 130322-05261        | 2 - 3          | 305115-06061        | 4 - 53         |
| 100905-32331        | 2 - 18         | 130435-07060        | 2 - 13         | 351111-19830        | 4 - 25         |
| 100915-32530        | 4 - 13         | 130712-06061        | 2 - 8          | 351155-35430        | 4 - 19         |
| 100915-33930        | 4 - 17         | 130821-06060        | 2 - 23         | 351612-06061        | 4 - 49         |
| 100917-32430        | 1 - 33         | 131004-37631        | 4 - 35         | 351616-38130        | 4 - 46         |
| 100918-19830        | 4 - 15         | 131050-19830        | 4 - 37         | 351630-06060        | 4 - 50         |
| 100921-32431        | 4 - 41         | 131051-19830        | 4 - 39         | 433011-21860        | 1 - 23         |
| 100922-32430        | 4 - 12         | 131205-19831        | 4 - 9          | 433019-12330        | 5 - 25         |
| 101010-32431        | 1 - 7          | 131300-56430        | 4 - 59         | 433144-15130        | 3 - 47         |
| 101521-32330        | 3 - 6          | 131312-32430        | 4 - 62         | 436013-06061        | 1 - 28         |
| 101578-38431        | 2 - 56         | 131328-40630        | 4 - 60         | 436114-13930        | 1 - 27         |
| 104915-08260        | 5 - 36         | 132010-30830        | 4 - 8          | 437211-14730        | 2 - 39         |
| 123110-03930        | 7 - 3          | 132011-19831        | 4 - 7          | 437217-20760        | 4 - 6          |
| 123112-12330        | 7 - 6          | 132013-26630        | 4 - 10         | 606117-21860        | 6 - 9          |
| 123113-16130        | 7 - 39         | 132115-01461        | 2 - 38         | 610320-03830        | 5 - 11         |
| 123114-05260        | 7 - 38         | 132115-01461        | 4 - 5          | 611014-07062        | 6 - 16         |
| 123114-38830        | 7 - 9          | 145510-32431        | 2 - 49         | 611015-07062        | 6 - 17         |
| 123117-32630        | 7 - 40         | 145711-32430        | 2 - 51         | 611019-05260        | 6 - 18         |
| 123118-02261        | 7 - 24         | 156601-32632        | 3 - 26         | 611022-09160        | 6 - 43         |
| 123120-32631        | 7 - 21         | 156611-19830        | 3 - 22         | 611111-20760        | 5 - 9          |
| 123122-39830        | 7 - 31         | 156635-32530        | 2 - 42         | 611117-06060        | 5 - 26         |
| 123123-18330        | 7 - 32         | 156800-32631        | 3 - 5          | 611216-05260        | 5 - 32         |
| 123124-19830        | 7 - 4          | 159010-10230        | 3 - 25         | 689024-05260        | 6 - 10         |
| 123125-12330        | 7 - 5          | 162021-32530        | 2 - 35         | 890057-07060        | 2 - 4          |
| 123126-10631        | 7 - 7          | 163400-30830        | 2 - 33         | 890157-30130        | 2 - 34         |
| 123130-02960        | 7 - 50         | 163810-30130        | 2 - 41         | 890157-39130        | 2 - 40         |
| 123131-19830        | 7 - 12         | 175000-06061        | 5 - 17         | 890185-03460        | 2 - 17         |
| 123132-16130        | 7 - 37         | 175002-32431        | 5 - 19         | 895410-00430        | 6 - 34         |
| 123132-32430        | 7 - 10         | 175016-16130        | 5 - 21         | 895410-10630        | 6 - 33         |
| 123135-10630        | 7 - 18         | 175018-32430        | 5 - 20         | 895610-00130        | 6 - 30         |
| 123136-10630        | 7 - 17         | 175019-16130        | 5 - 22         | 895612-03430        | 6 - 31         |
| 123137-19830        | 7 - 35         | 175049-56030        | 5 - 35         | 895811-00130        | 6 - 32         |
| 123138-03930        | 7 - 33         | 177215-07060        | 3 - 35         | 898510-39130        | 6 - 36         |
| 123139-03930        | 7 - 34         | 177218-32631        | 3 - 11         | 900105-04006        | 5 - 18         |
| 123140-16131        | 7 - 47         | 177220-02834        | 3 - 38         | 900162-04010        | 2 - 55         |
| 123141-16131        | 7 - 48         | 177221-02830        | 3 - 39         | 900162-04020        | 3 - 28         |
| 123146-10631        | 7 - 30         | 177221-07060        | 3 - 37         | 900162-05014        | 1 - 9          |
| 123156-30830        | 7 - 13         | 177226-06060        | 3 - 36         | 900162-05014        | 2 - 52         |
| 123169-10630        | 7 - 29         | 177227-07060        | 3 - 42         | 900162-05014        | 3 - 33         |
| 123178-15030        | 7 - 14         | 177228-30830        | 3 - 41         | 900162-05014        | 4 - 14         |
| 123183-40630        | 7 - 27         | 177234-19832        | 3 - 9          | 900162-05020        | 1 - 2          |



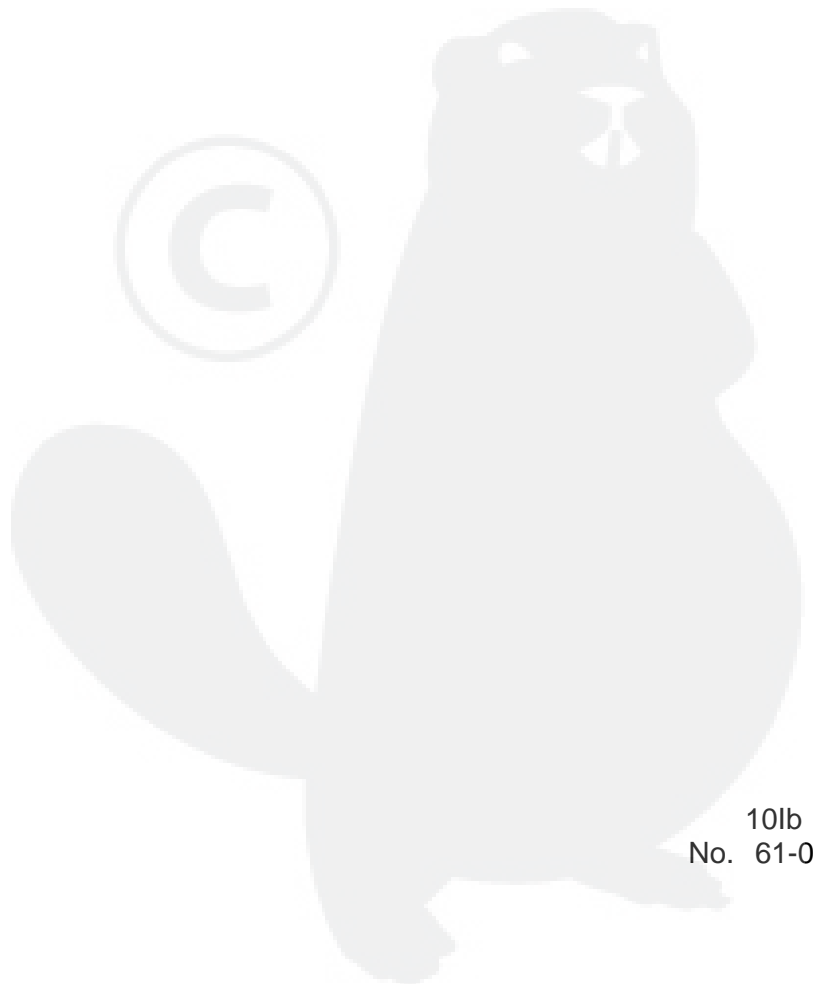
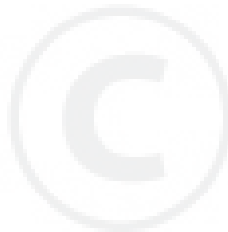
**Index**

| <b>Patrs Number</b> | <b>Key No.</b> | <b>Patrs Number</b> | <b>Key No.</b> | <b>Patrs Number</b> | <b>Key No.</b> |
|---------------------|----------------|---------------------|----------------|---------------------|----------------|
| 900162-05020        | 1 - 36         | A202-000040         | 1 - 8          |                     |                |
| 900162-05020        | 2 - 36         | A204-000030         | 2 - 26         |                     |                |
| 900162-05020        | 3 - 50         | A220-000030         | 2 - 37         |                     |                |
| 900162-05025        | 1 - 6          | A225-000130         | 2 - 9          |                     |                |
| 900162-05025        | 5 - 27         | A300-000781         | 2 - 50         |                     |                |
| 900162-05030        | 4 - 55         | A313-000460         | 2 - 54         |                     |                |
| 900162-05035        | 1 - 35         | A426-000010         | 3 - 24         |                     |                |
| 900162-05035        | 4 - 52         | A427-000013         | 3 - 23         |                     |                |
| 900238-04014        | 4 - 18         | A500-000061         | 3 - 49         |                     |                |
| 900238-05014        | 1 - 34         | A556-000310         | 5 - 16         |                     |                |
| 900238-05016        | 2 - 12         | C360-000012         | 5 - 37         |                     |                |
| 900238-05020        | 4 - 45         | C361-000010         | 5 - 7          |                     |                |
| 900238-05025        | 2 - 11         | C364-000022         | 6 - 5          |                     |                |
| 900238-05025        | 5 - 6          | C370-000020         | 6 - 14         |                     |                |
| 900238-05025        | 5 - 8          | C371-000000         | 6 - 13         |                     |                |
| 900238-05030        | 4 - 47         | C400-000240         | 4 - 44         |                     |                |
| 900238-05035        | 4 - 54         | C423-000130         | 4 - 51         |                     |                |
| 900241-04010        | 6 - 15         | C450-000281         | 4 - 23         |                     |                |
| 900242-04008        | 3 - 27         | P003-000000         | 7 - 49         |                     |                |
| 900246-03008        | 4 - 38         | P003-000010         | 7 - 51         |                     |                |
| 900252-04010        | 2 - 44         | P021-006652         | 5 - 31         |                     |                |
| 900252-05010        | 2 - 43         | P021-007480         | 4 - 58         |                     |                |
| 900252-05014        | 2 - 21         | P021-007490         | 1 - 20         |                     |                |
| 900252-05053        | 2 - 22         | P021-007500         | 3 - 32         |                     |                |
| 900253-04008        | 3 - 48         | P021-015290         | 1 - 11         |                     |                |
| 900342-50025        | 4 - 24         | V140-000010         | 2 - 19         |                     |                |
| 900500-00008        | 3 - 8          | V176-000031         | 6 - 7          |                     |                |
| 900501-00010        | 6 - 12         | V196-000090         | 6 - 6          |                     |                |
| 900600-00008        | 6 - 23         | V203-000070         | 5 - 34         |                     |                |
| 900602-00010        | 6 - 11         | V203-000150         | 3 - 13         |                     |                |
| 900603-00005        | 3 - 12         | V205-000300         | 6 - 21         |                     |                |
| 900603-00005        | 3 - 34         | V206-000160         | 6 - 20         |                     |                |
| 900603-00008        | 5 - 12         | V299-000210         | 6 - 25         |                     |                |
| 900605-00008        | 6 - 24         | V306-000110         | 6 - 22         |                     |                |
| 900605-00010        | 6 - 19         | V353-000201         | 3 - 10         |                     |                |
| 900702-00028        | 5 - 13         | V356-000260         | 5 - 15         |                     |                |
| 900720-20007        | 2 - 16         | V362-000020         | 2 - 25         |                     |                |
| 900720-20029        | 4 - 36         | V420-000691         | 2 - 24         |                     |                |
| 900810-36202        | 1 - 25         | V420-000701         | 1 - 4          |                     |                |
| 900812-06202        | 6 - 8          | V455-000030         | 5 - 33         |                     |                |
| 94002-36001         | 5 - 14         | V580-000000         | 1 - 14         |                     |                |
| A011-000292         | 1 - 31         | V610-000000         | 1 - 13         |                     |                |
| A021-000730         | 2 - 28         | X502-000460         | 3 - 51         |                     |                |
| A021-000730         | 7 -            | X502-000540         | 5 - 5          |                     |                |
| A101-000150         | 1 - 12         | X503-005551         | 2 - 1          |                     |                |
| A130-000172         | 1 - 5          | X505-001331         | 6 - 41         |                     |                |
| A130-000980         | 1 - 5          | X606-000080         | 6 - 35         |                     |                |
| A160-000601         | 1 - 3          | X690-000050         | 6 - 42         |                     |                |
| A172-000130         | 3 - 31         |                     |                |                     |                |

# YAMABIKO CORPORATION

7-2 SUEHIROCHO 1-CHOME, OHME, TOKYO 198-8760, JAPAN  
PHONE: 81-428-32-6118. FAX: 81-428-32-6145.

**ECHO**®



10lb  
No. 61-053