



PARTS CATALOG

POWER SPRAYER

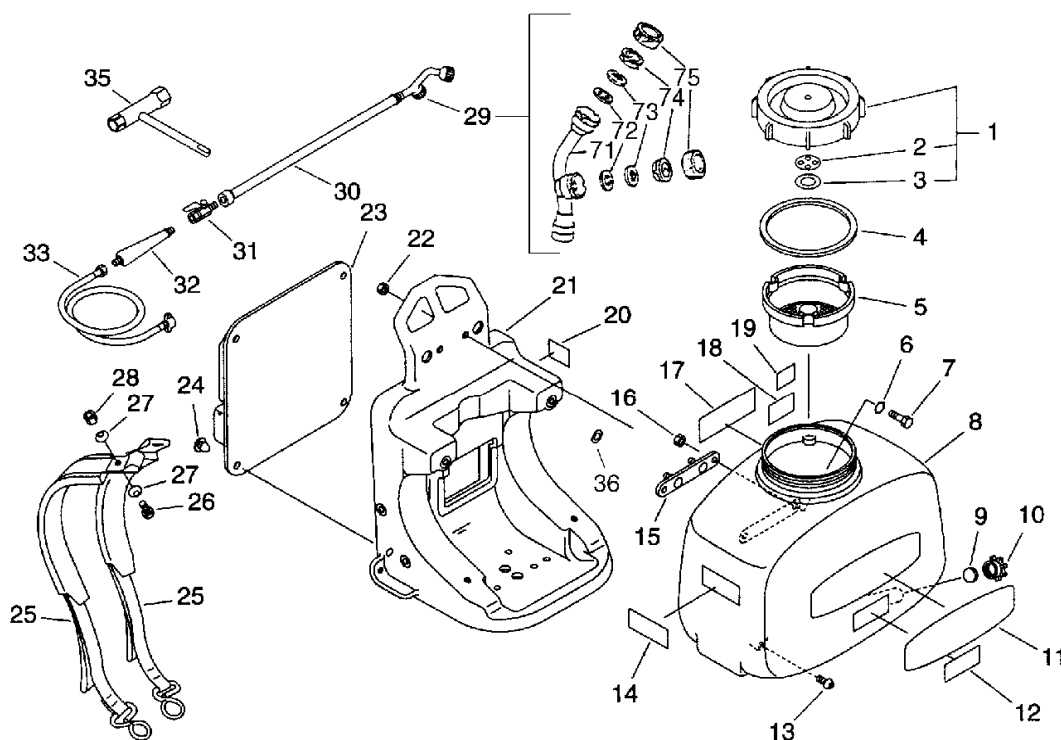
SHP-706



SHP-706

1. Harness, Chemical Tank, Nozzle, Tool

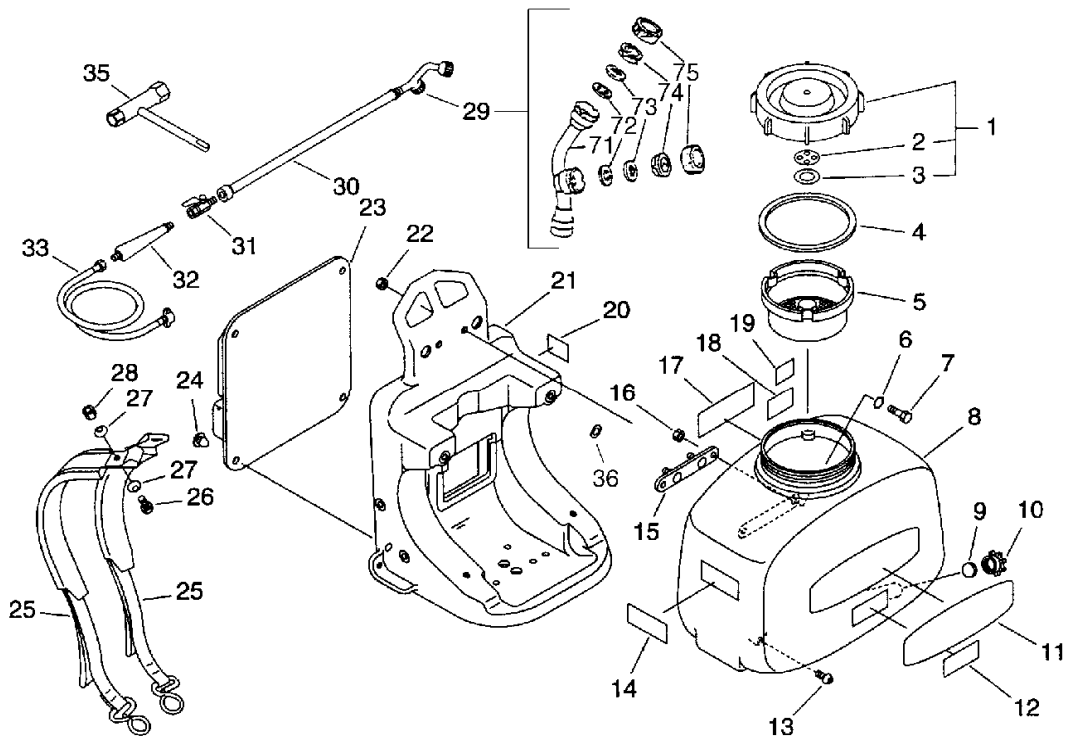
No.1



KEY	LV	PART NUMBER	Q'TY	DESCRIPTION	REMARKS	NOTE1	NOTE2
1		250001-14010	1	CAP, CHEMICAL TANK			
2	+	250026-11310	1	VALVE, AIR			
3	+	250027-11310	1	PACKING			
4		250011-01110	1	GASKET, CHMCL. TANK			
5		254210-12210	1	FILTER, CHMCL. TANK			
6		900722-00100	2	O-RING P-10A	P-10A(NBR)		
7		253913-10910	2	BOLT			
8		250010-14011	1	TANK, CHEMICAL		Sus. by P021-000200	
8		P021-000200	1	TANK,CHEMICAL SET			
9	+	900720-30028	1	O-RING P-28 (F)	P-28	Sr/Nr 010174 and after	
10	+	250211-11410	1	NUT, HOSE		Sr/Nr 010174 and after	
9		250210-11610	1	GASKET DRAIN		Sr/Nr 010173 and before	
10		250211-11610	1	CAP, DRAIN		Sr/Nr 010173 and before	
11		890012-07510	1	LABEL, KIORITZ			
12		890034-14111	1	LABEL, MODEL			
13		900226-06020	2	SCREW, 6*20	6*20 SUS		
14		890096-10510	1	LABEL, CAUTION			
15		253910-14010	1	BRACKET, TANK			
16		250916-06210	2	NUT			
17		890080-13610	1	LABEL, CAUTION			

1. Harness, Chemical Tank, Nozzle, Tool

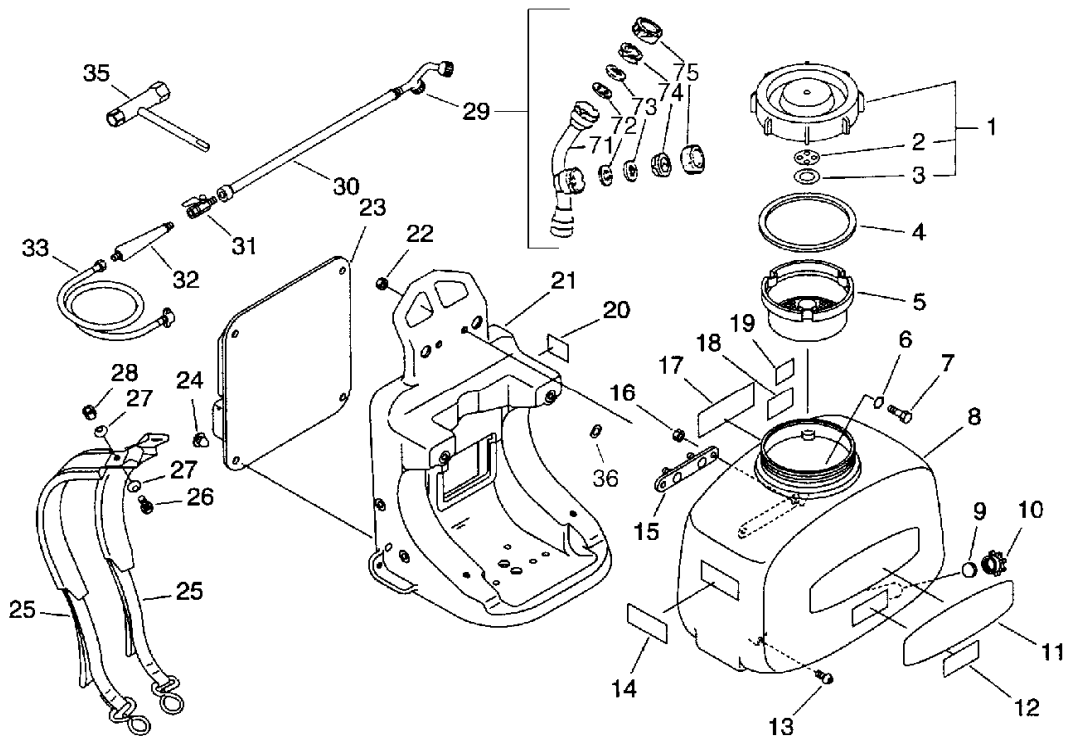
No.1



KEY	LV	PART NUMBER	Q'TY	DESCRIPTION	REMARKS	NOTE1	NOTE2
18		890016-06210	1	LABEL, CAUTION		Sus. by 890016-06213	
18		890016-06211	1	LABEL, CAUTION		Sus. by 890016-06213	
18		890016-06212	1	LABEL, CAUTION		Sus. by 890016-06213	
18		890016-06213	1	LABEL, CAUTION			
19		890016-07010	1	LABEL, CAUTION		Sus. by 890016-07011	
19		890016-07011	1	LABEL, CAUTION			
20		890090-11310	1	LABEL, CAUTION			
21		300005-14011	1	FRAME, KNAPSACK		Sus. by 300005-14012	
21		300005-14012	1	FRAME, BACKPACK			
22		250916-06210	2	NUT			
23		300111-14010	1	CUSHION, KNAPSACK			
24		300333-06160	4	CLIP			
25		300300-14010	2	HARNESS, BACKPACK			
26		900216-05016	2	SCREW, 5*16	5*16		
27		300328-03210	4	WASHER, HARNESS			
28		900560-00005	2	NUT, LOCK 5	5		
29		224100-14010	1	NOZZLE, LIQUID		Sus. by 224100-14011	
29		224100-14011	1	NOZZLE	NH-B-2-2K		
71	+	224105-14010	1	BODY, NOZZLE			
72	+	224127-14010	2	GASKET, NOZZLE			

1. Harness, Chemical Tank, Nozzle, Tool

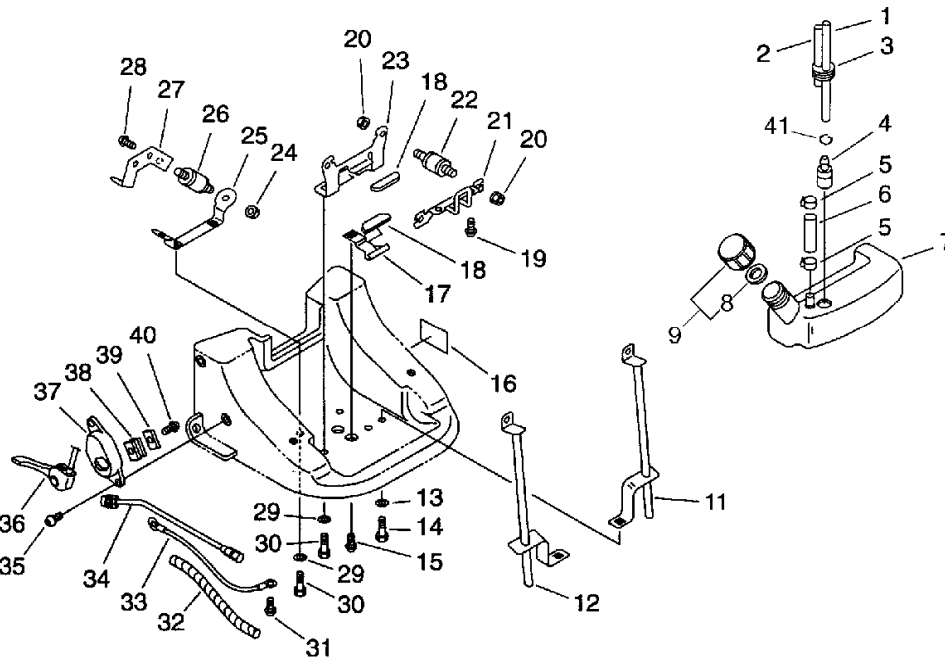
No.1



KEY	LV	PART NUMBER	Q'TY	DESCRIPTION	REMARKS	NOTE1	NOTE2
73	+	224128-10810	2	GASKET, NOZZLE (50)			
74	+	224129-10810	2	DISC NOZZLE D-6			
75	+	224116-21050	2	CAP			
30		224102-10510	1	PIPE, NOZZLE	L=720	Sus. by 224400-11710	
30		E270-000030	1	PIPE,NOZZLE	AG2003-020		
31		224400-11710	1	VALVE, NOZZLE	PF1/4	Sus. by E245-000050	
31		E245-000050	1	COCK,LIQUID	2-PF1/4 M*F		
32		224110-12710	1	GRIP,NOZZLE			
33		384002-12710	1	HOSE 7.5*1.2M BL	7.5*1.2M BL		
35		895410-03930	1	WRENCH, W/S. DRIVER			
36		145642-00760	2	WASHER 6.5*18*1.6	6.5*18*1.6		

2. Fuel Tank

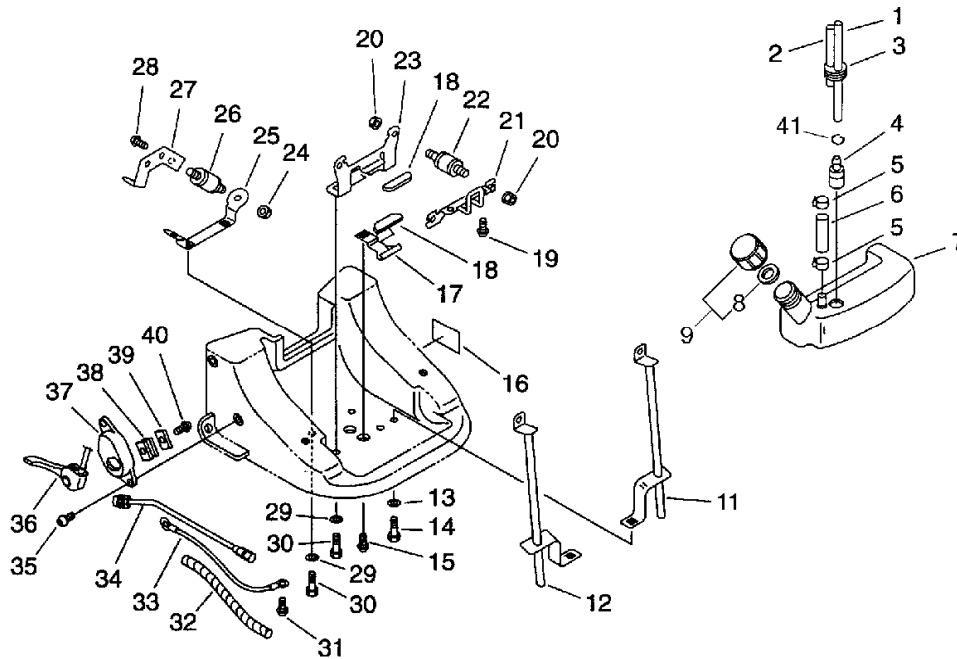
No.2



KEY	LV	PART NUMBER	Q'TY	DESCRIPTION	REMARKS	NOTE1	NOTE2
1		437210-15130	1	PIPE, OIL	3*6*200L		
2		132010-14010	1	PIPE 3*6*100	3*6*100 YL		
3		132115-44330	1	GROMMET			
4		131205-19830	1	STRAINER, FUEL			
5		132013-14010	2	BAND	10.5MM		
6		132010-06110	1	PIPE 7*11*60	7*11*60	Can be used on the 131010-14010	
7		131010-14010	1	TANK, FUEL		Sus. by P021-000080	
7		P021-000080	1	TANK,FUEL SET			
6	+	V471-000020	1	PIPE	5/16*7/16*60	Can be used on the P021-000080	
9		131004-53530	1	CAP ASSY, FUEL TANK			
8	+	131016-55830	1	GASKET, FUEL CAP			
11		300013-14010	1	FRAME, KNAPSACK		Sus. by 300013-14011	
11		300013-14011	1	PIECE, BACK FRAME			
12		300014-14010	1	FRAME, KNAPSACK		Sus. by 300014-14011	
12		300014-14011	1	PIECE, BACK FRAME			
13		145642-00760	2	WASHER 6.5*18*1.6	6.5*18*1.6		
14		900104-06016	2	BOLT 6*16 SUS	6*16 SUS		
15		900242-06014	1	SCREW 6*14	6*14		

2. Fuel Tank

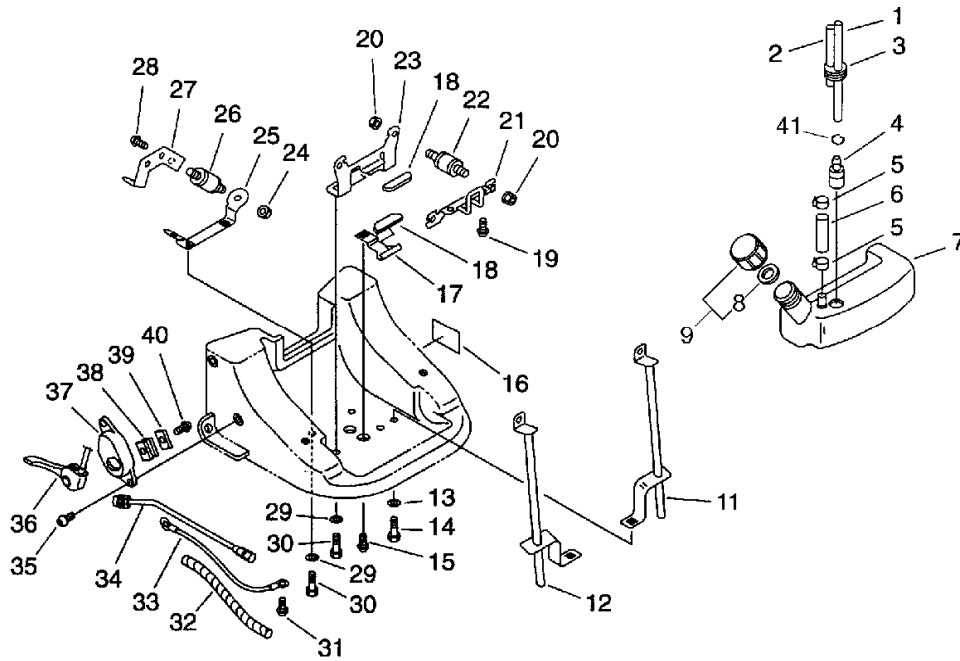
No.2



KEY	LV	PART NUMBER	Q'TY	DESCRIPTION	REMARKS	NOTE1	NOTE2
16		890098-06210	1	LABEL, CAUTION			Sus. by 890098-06211
16		890098-06211	1	LABEL, CAUTION			
17		131918-14010	1	BRACKET, FUEL TANK			
18		131920-28230	2	CUSHION, FUEL TANK			
19		900242-05014	2	SCREW 5*14	5*14		
20		900515-00005	4	NUT, FLANGE 5	5		
21		104932-14011	1	PIECE, FRAME			
22		100907-45930	2	CUSHION			
23		131910-14010	1	BRACKET, FUEL TANK			
24		900515-00006	2	NUT, FLANGE 6	6		
25		110046-14010	1	PLATE, ANGLE			
26		200910-06610	2	CUSHION			
27		110045-14010	1	PLATE, ANGLE			
28		900242-05014	2	SCREW 5*14	5*14		
29		145642-00760	4	WASHER 6.5*18*1.6	6.5*18*1.6		
30		900104-06016	4	BOLT 6*16 SUS	6*16 SUS		
31		900242-05010	1	SCREW 5*10	5*10		
32		162110-13410	1	TUBE	10*190		
33		162010-14010	1	LEAD, GROUND	420L		
34		166101-10220	1	SWITCH			
35		900242-05020	2	SCREW 5*20	5*20		
36		178000-13410	1	CONTROL, THROTTLE			
37		178123-14010	1	BRACKET, THROTTLE			
38		150114-04920	1	BUSHING			
39		178114-14010	1	HOLDER, THR. LEVER			

2. Fuel Tank

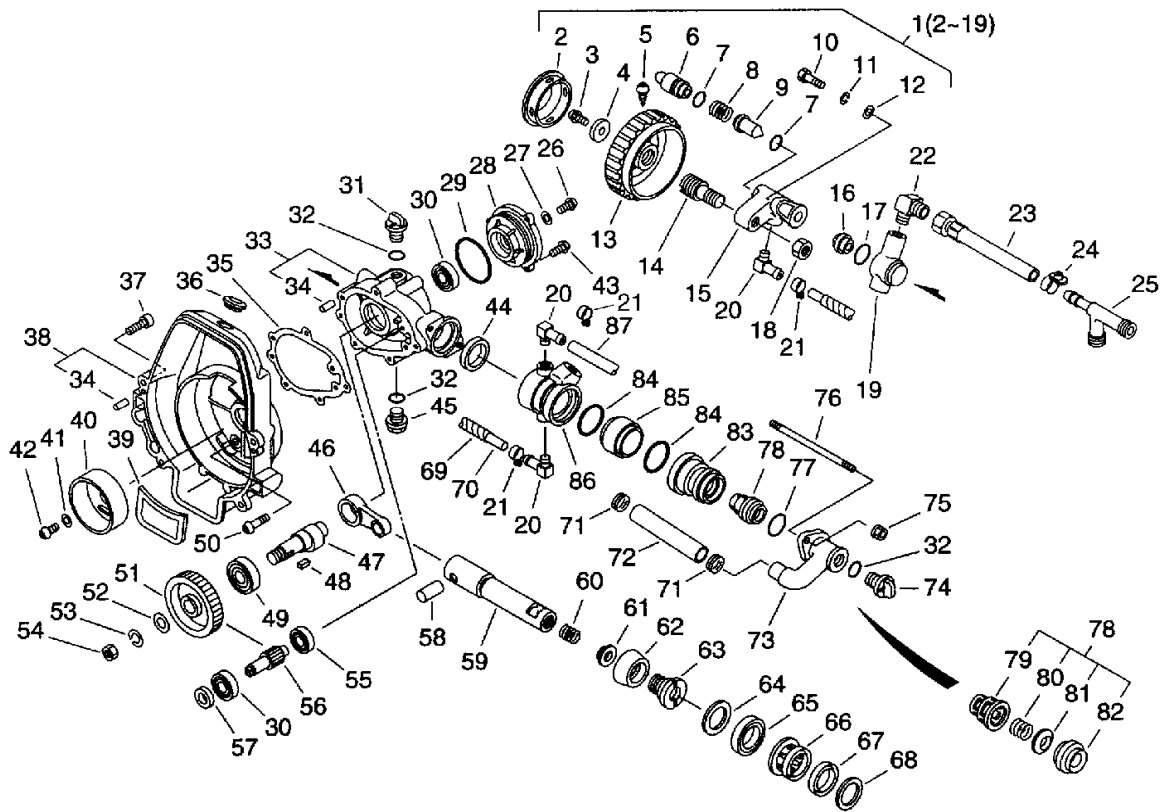
No.2



KEY	LV	PART NUMBER	Q'TY	DESCRIPTION	REMARKS	NOTE1	NOTE2
40		900242-05010	1	SCREW 5*10	5*10		
41		132013-26630	1	CLIP	6.5MM		

3. Pump

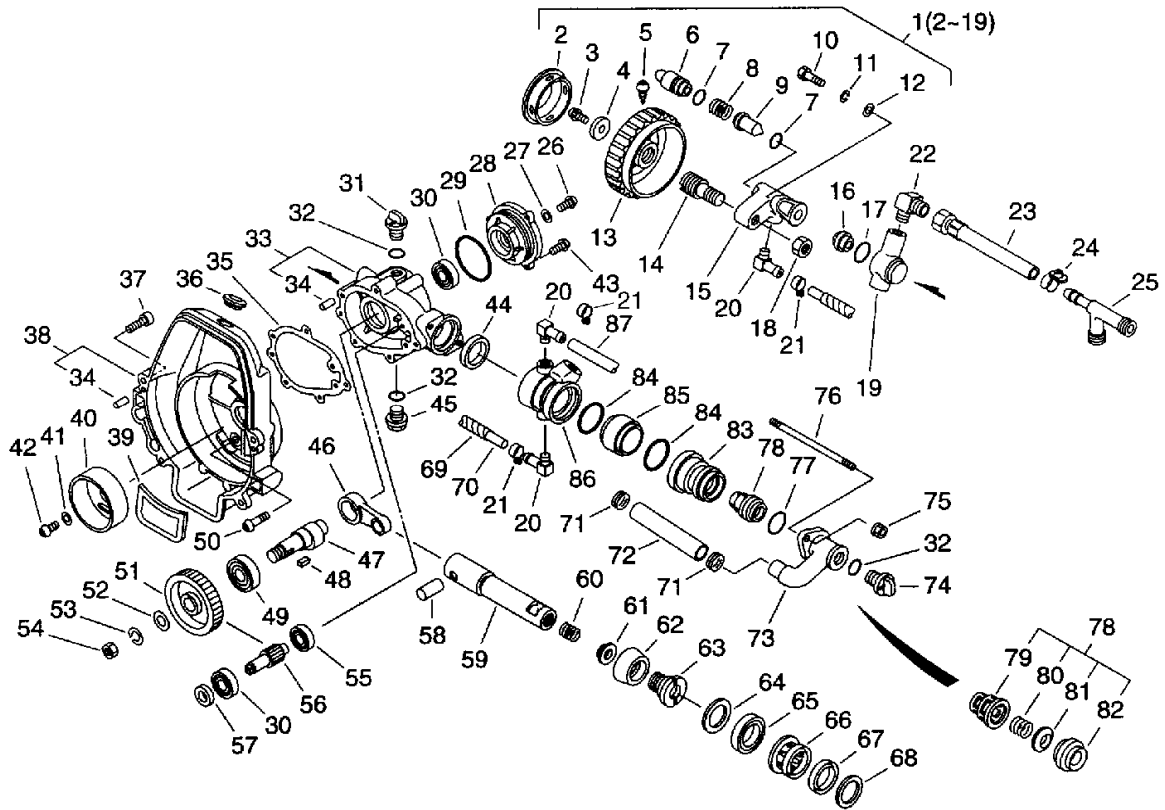
No.3



KEY	LV	PART NUMBER	Q'TY	DESCRIPTION	REMARKS	NOTE1	NOTE2
1		429700-13410	1	P. REGULATOR ASSY			
2	+	429759-07350	1	CAP, REGULATOR			
3	+	900220-05010	1	SCREW 5*10	5*10		
4	+	613019-07350	1	WASHER 5.5*16*2T	5.5*16*2T		
5	+	900252-04010	1	SCREW 4*10	4*10		
6	+	429720-13410	1	SEAT, SPRING			
7	+	900722-00100	2	O-RING P-10A	P-10A(NBR)		
8	+	429719-13410	1	SPRING			
9	+	429712-13411	1	VALVE, P. REGULATOR			
10	+	900180-06045	2	BOLT, H.S. 6*45	6*45		
11	+	900605-00006	2	WASHER, SPRING 6	6		
12	+	900600-00006	2	WASHER 6	6		
13	+	429728-13410	1	KNOB, REGULATOR			
14	+	429736-13410	1	SHAFT, KNOB			
15	+	429718-13410	1	CASE, SPRING			
16	+	429711-13410	1	SEAT, VALVE			
17	+	900720-00018	1	O-RING 18	P-18		
18	+	100129-13410	1	NUT 10	3N 10*0.75*6.0T		
19	+	429710-13410	1	CASE, P.R. VALVE			
20		384013-13410	3	ELBOW		Sus. by 384013-13411	
20		384013-13411	3	ELBOW			
21		132013-14010	4	BAND	10.5MM		
22		385120-13410	1	ELBOW			
23		384002-13410	1	HOSE ASY, SPRAY			

3. Pump

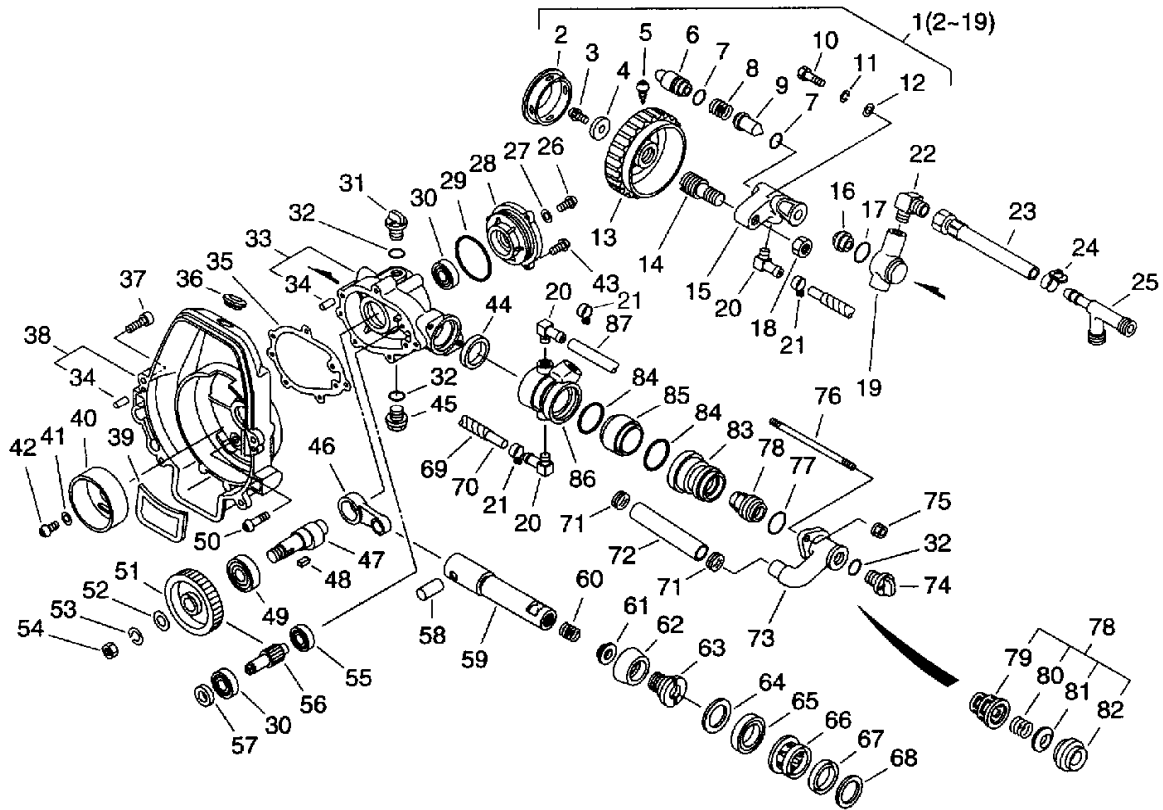
No.3



KEY	LV	PART NUMBER	Q'TY	DESCRIPTION	REMARKS	NOTE1	NOTE2
24		357013-13410	1	CLIP 14			
25		384015-14110	1	NIPPLE, T			
26		900240-04008	1	SCREW 4*8	4*8		
27		403313-13410	1	GASKET			
28		403115-13410	1	HOLDER, BEARING			
29		900724-00053	1	O-RING 53	S-53		
30		900800-06001	2	BEARING, BALL 6001	6001		
31		403410-13610	1	GAUGE, OIL LABEL			
32		900725-01013	3	O-RING 1013	1013(NBR)		
33		403110-14110	1	CRANKCASE			
34	+	100215-03930	2	PIN, DOWEL			
35		403119-14110	1	GASKET, GEAR CASE			
36		131329-32330	1	PLUG, FUEL TANK			
37		900162-05018	4	BOLT, H.S. 5*18	5*18 W,SW		
38		101595-14110	1	CASE, FAN GEAR			
34	+	100215-03930	2	PIN, DOWEL			
39		101588-11610	1	LID, FAN COVER BL			
40		175005-14110	1	DRUM, CLUTCH			
41		300217-00610	1	WASHER			
42		900216-05012	1	SCREW 5*12	5*12		
43		900242-04010	3	SCREW 4*10	4*10		
44		403123-07350	1	OILSEAL (R 22*31*5)			
45		403313-12111	1	PLUG, DRAIN			
46		403711-13410	1	ROD, CONNECTING			
47		403710-13410	1	CRANKSHAFT			
48		900321-03008	1	KEY, FEATHER 3* 8F	3*8		

3. Pump

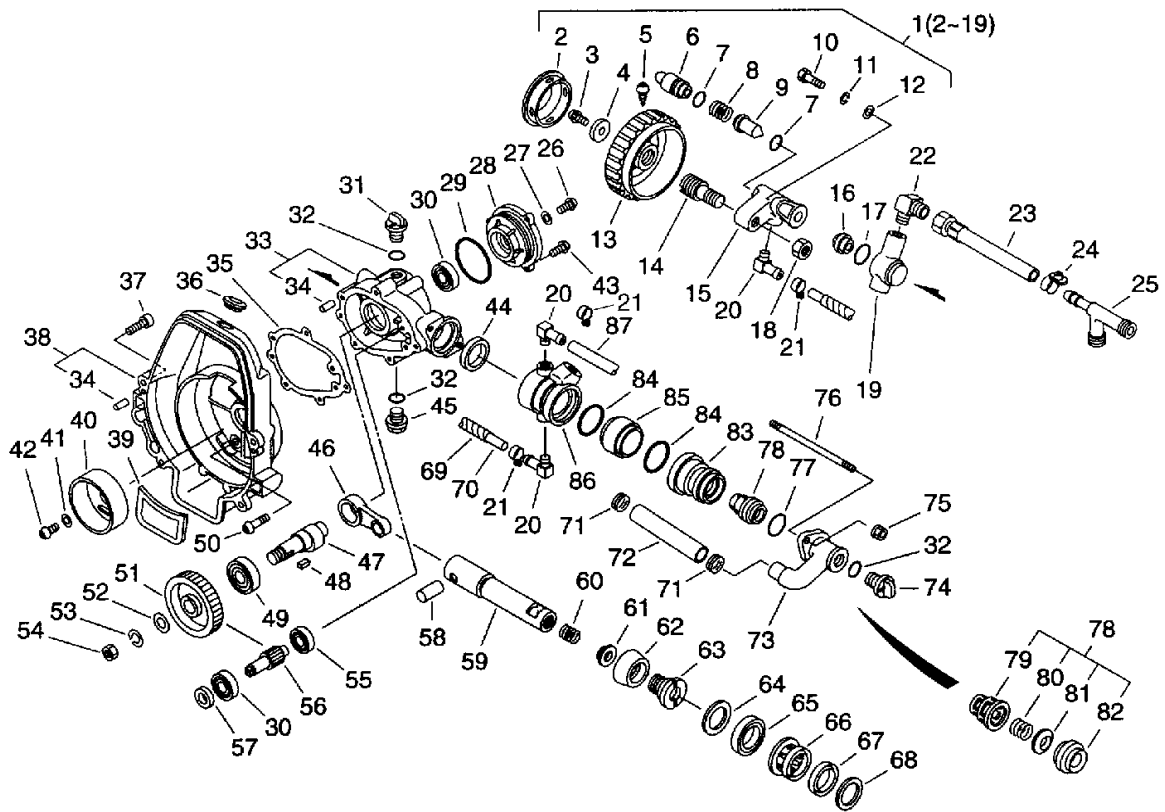
No.3



KEY	LV	PART NUMBER	Q'TY	DESCRIPTION	REMARKS	NOTE1	NOTE2
49		900810-06201	1	BEARING, BALL 6201	6201		
50		900242-05022	6	SCREW 5*22	5*22		
51		613013-13410	1	GEAR			
52		900602-00008	1	WASHER 8	8.4*17*1.6		
53		900605-00008	1	WASHER, SPRING 8	8		
54		900502-00008	1	NUT 8 (3N)	3N8		
55		900855-06900	1	BEARING, BALL 6900	6900		
56		613011-14110	1	SHAFT, PINION			
57		100212-04630	1	OILSEAL	ISMX12*19*4		
58		403813-13410	1	PIN, PLUNGER			
59		403810-13410	1	PLUNGER			
60		403236-13410	1	SPRING, COMPRESSION			
61		403238-13410	1	VALVE, DISK			
62		403143-13410	1	PACKING, PISTON			
63		403239-13410	1	SEAT, VALVE			
64		403814-13410	1	RING			
65		403134-13410	1	SEAL, LIQUID			
66		403159-13410	1	HOLDER, SEAL			
67		403130-13410	1	V-PACKING			
68		403114-13410	1	ADAPTER, PACKING			
69		162110-13610	1	TUBE 10*80	10*80		
70		386010-14110	1	PIPE 7*11*180 BL	7*11*180 BL		
71		357013-14110	2	CLIP 21	21	Sus. by 357013-14111	
71		357013-14111	2	CLIP 21			
72		386011-14110	1	PIPE 15*21*130L BL	15*21*130L		

3. Pump

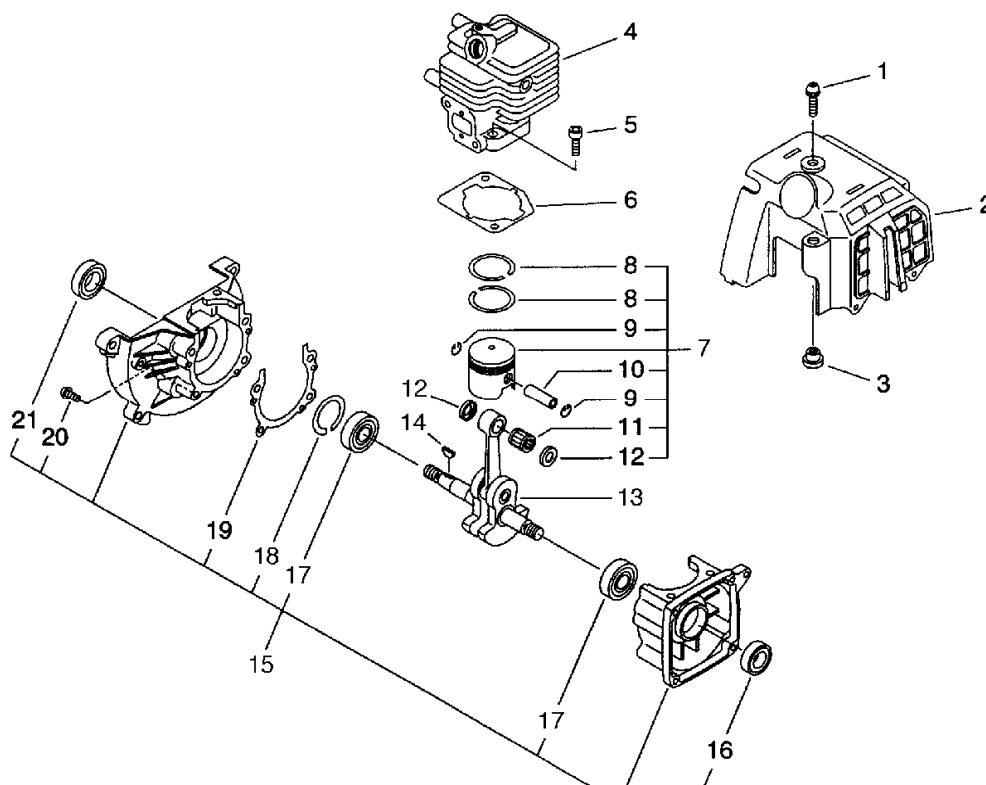
No.3



KEY	LV	PART NUMBER	Q'TY	DESCRIPTION	REMARKS	NOTE1	NOTE2
73		382030-14110	1	PIPE, INTAKE			
74		403226-13410	1	PLUG		Sus. by 403226-13411	
74		403226-13411	1	PLUG			
75		900515-00006	2	NUT, FLANGE 6	6		
76		403126-13410	2	STUD			
77		900725-02019	1	O-RING 2019	JASO 2019		
78		403200-13411	1	VALVE ASSY. PUMP			
79	+	403211-13410	1	CAGE, VALVE			
80	+	403212-13410	1	SPRING, VALVE			
81	+	403213-13410	1	VALVE, DISK			
82	+	403214-13411	1	SEAT, VALVE			
83		403218-13410	1	CASE, VALVE			
84		900724-00030	2	O-RING S-30	S-30		
85		403140-13410	1	SLEEVE			
86		403118-13410	1	CYLINDER, PUMP			
87		386011-13610	1	PIPE 7*11*300	7*11*300		

4. Cylinder, Crankcase, Piston

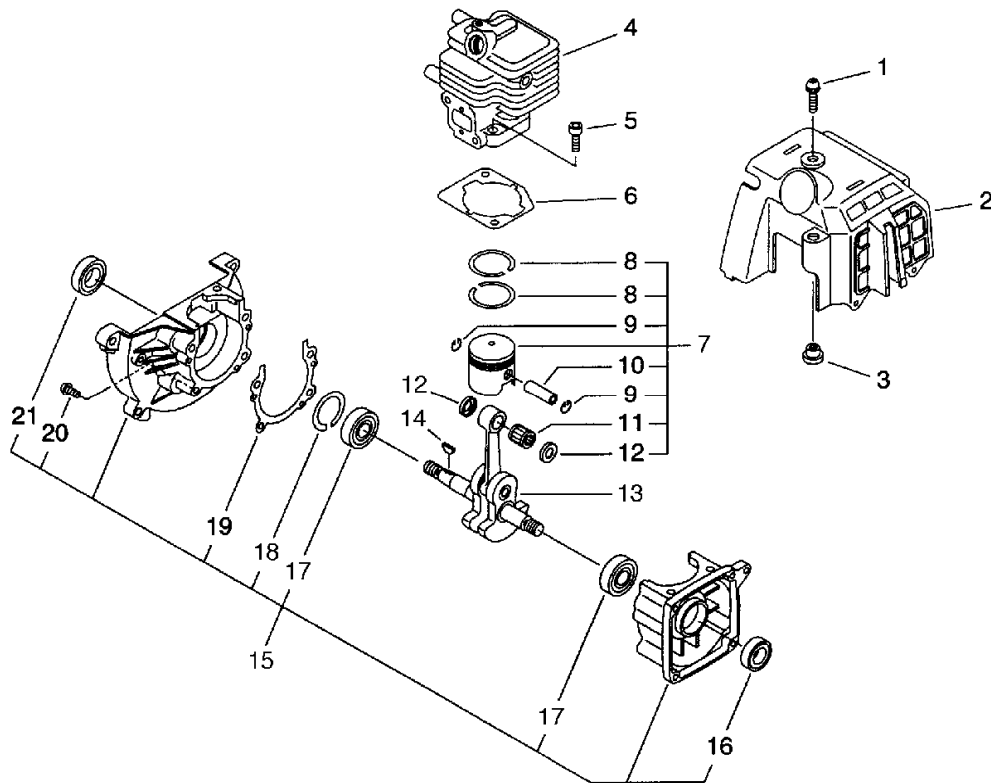
No.4



KEY	LV	PART NUMBER	Q'TY	DESCRIPTION	REMARKS	NOTE1	NOTE2
1		900242-05014	1	SCREW 5*14	5*14		
2		101506-55931	1	COVER, CYLINDER		Sus. by A160-000030	
2		A160-000030	1	COVER,CYLINDER			
3		101531-55930	1	COLLAR	5.5*4.5 タ* ヅツキ	Sus. by V353-000020	
3		V353-000020	1	COLLAR,5	12*5.5*4.5L		
4		101011-55930	1	CYLINDER		Sus. by 101011-61230	
4		101011-61230	1	CYLINDER			
5		900162-05022	2	BOLT, H.S. 5*22	5*22 W,SW		
6		101010-55930	1	GASKET, CYL. BASE			
7		100000-55931	1	PISTON KIT		Sus. by 100000-55932	
7		100000-55932	1	PISTON KIT			
8	+	100011-05330	2	RING, PISTON			
9	+	100015-04630	2	CIRCLIP, PISTON PIN			
10	+	100013-22330	1	PIN, PISTON			
11	+	100012-55930	1	BEARING, NEEDLE	8*11*8.7	Sus. by V553-000020	
11	+	V553-000020	1	BEARING,NEEDLE 8	KBK8X11X8.8X4		
12	+	100014-55930	2	SPACER, PISTON PIN			
13		100100-55930	1	CRANKSHAFT ASSY			
14		100142-12330	1	KEY, WOODRUFF			

4. Cylinder, Crankcase, Piston

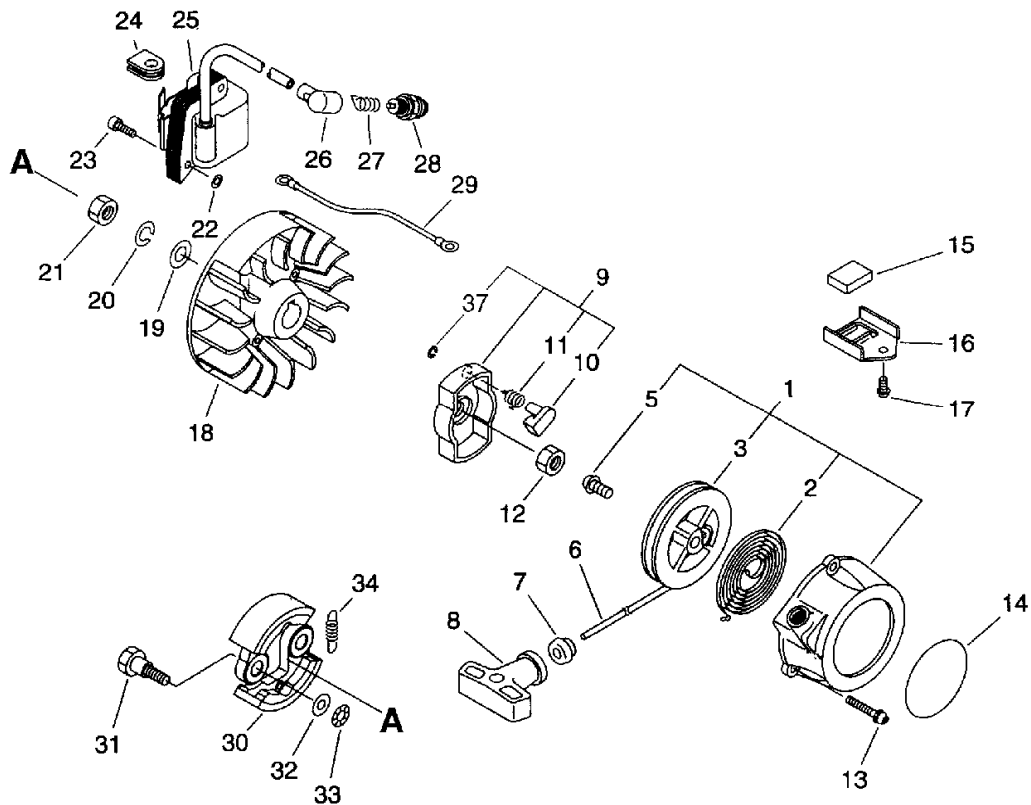
No.4



KEY	LV	PART NUMBER	Q'TY	DESCRIPTION	REMARKS	NOTE1	NOTE2
15		100204-55930	1	CRANKCASE KIT		Sus. by 100204-57031	
15		100204-57031	1	CRANKCASE KIT			
16	+	100213-05530	1	OILSEAL	ISCD 12 22 7		
17	+	900800-36001	2	BEARING, BALL 6001	6001/C3		
18	+	900702-00028	1	CIRCLIP 28	CR-28		
19	+	100242-55930	1	GASKET, CRANKCASE			
20	+	900242-05025	4	SCREW 5*25	5*25		
21	+	100212-28230	1	OILSEAL ISCD 12*28*7	ISCD 12*28*7		

5. Starter, Magneto, Clutch

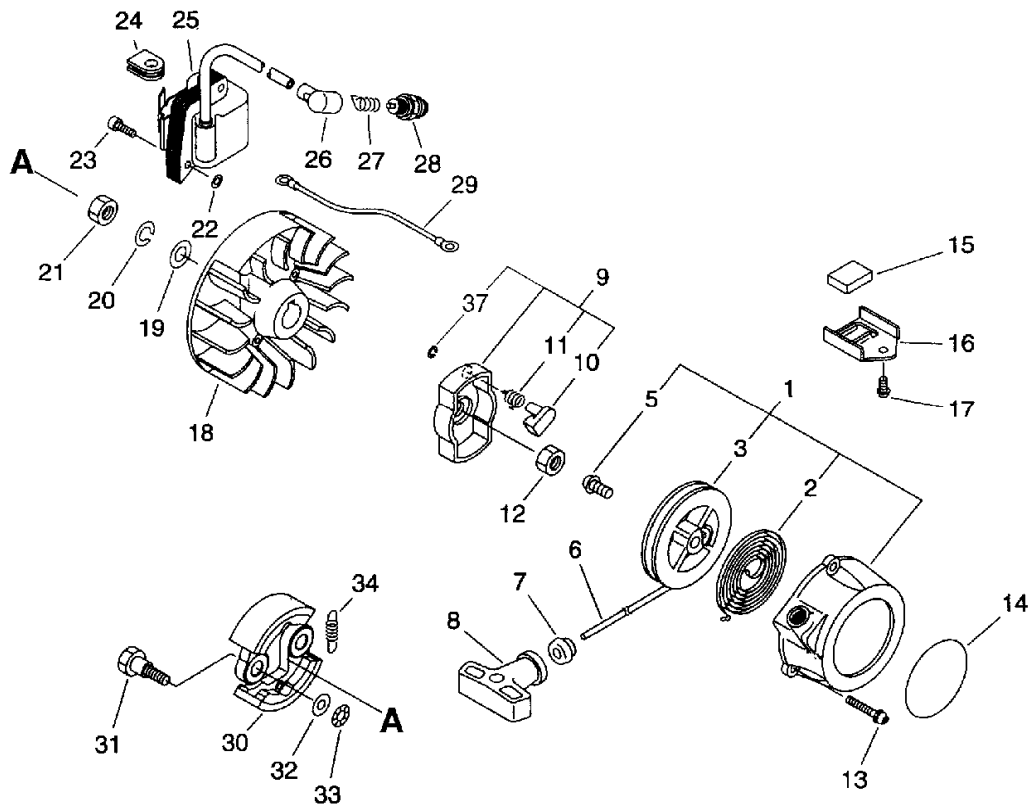
No.5



KEY	LV	PART NUMBER	Q'TY	DESCRIPTION	REMARKS	NOTE1	NOTE2
1		177200-55931	1	STARTER ASY			
2	+	177220-40630	1	SPRING, REWIND			
3	+	177215-40630	1	DRUM, STARTER			
5	+	177236-44330	1	SCREW			
6	+	177226-03930	1	ROPE, STARTER	3.5*850		
7	+	177227-42030	1	GUIDE, ROPE			
8	+	177228-27030	1	GRIP, STARTER			
9		177202-40630	1	PAWL ASSY, STARTER			
10	+	177218-40630	1	PAWL, STARTER	WHITE		
11	+	177234-40630	1	SPRING, RETURN			
37	+	900700-00004	1	E-RING 4	CE-4		
12		900502-00008	1	NUT 8 (3N)	3N8		
13		900239-04014	4	SCREW 4*14	4*14		
14		890053-56230	1	LABEL, KIORITZ 47MM	47MM		
15		305117-03360	1	CUSHION			
16		110060-14010	1	PLATE,ANGLE			
17		900242-05012	1	SCREW 5*12	5*12		
18		152801-55930	1	ROTOR, MAGNET			
19		900600-00008	1	WASHER 8	8		
20		900605-00008	1	WASHER, SPRING 8	8		
21		900502-00008	1	NUT 8 (3N)	3N8		
22		150117-09130	2	SPACER			
23		900162-04022	2	BOLT, H.S. 4*22	4*22 W,SW	Sus. by 91128-04022	
23		91128-04022	2	BOLT HSH	CM-4*22		

5. Starter, Magneto, Clutch

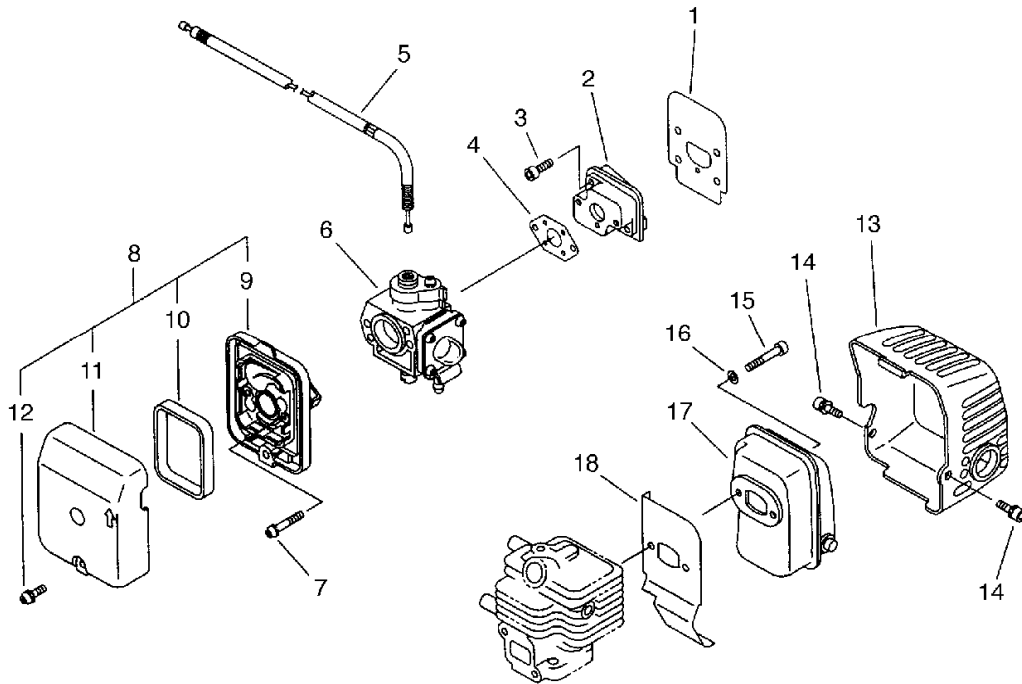
No.5



KEY	LV	PART NUMBER	Q'TY	DESCRIPTION	REMARKS	NOTE1	NOTE2
24		156112-28230	1	GROMMET		Sus. by 156112-40630	
24		156112-40630	1	GROMMET			
25		152626-55931	1	COIL, IGNITION		Sus. by 152626-55932	
25		152626-55932	1	COIL, IGNITION			
26		159012-03433	1	CAP, SPARK PLUG			
27		159011-03432	1	COIL, SPARK PLUG			
28		159010-19630	1	PLUG, SPARK (BPM-7Y)	BPM-7Y		
29		162010-55430	1	LEAD	315L		
30		175009-55930	2	SHOE, CLUTCH		Sus. by 175009-55931	
30		175009-55931	2	SHOE, CLUTCH			
31		175046-56030	2	SHAFT, CLUTCH			
32		175048-05530	2	WASHER (I)	6.2*19*1.0		
33		175049-56030	2	WASHER	8.5*16*0.5		
34		175018-14010	1	SPRING, CLUTCH			

6. Air Cleaner, Muffler

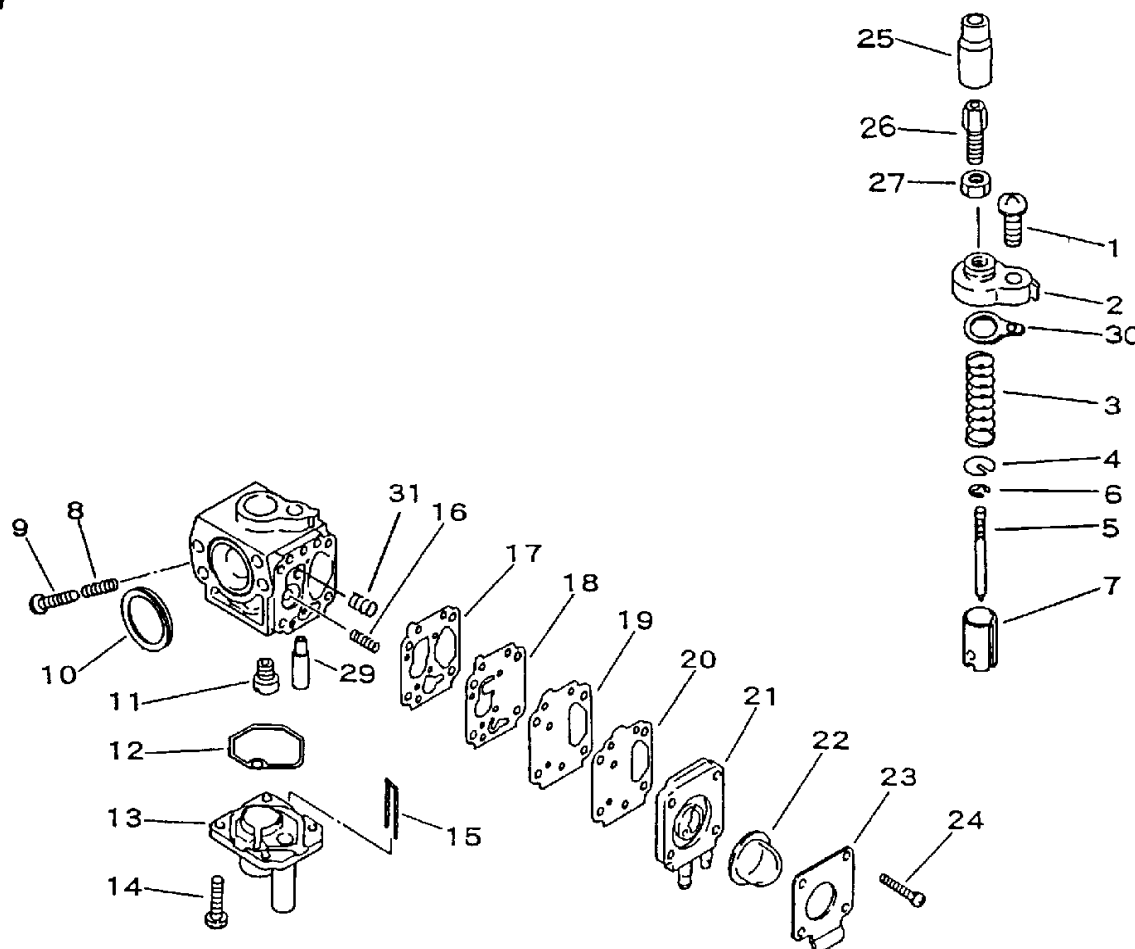
No.6



KEY	LV	PART NUMBER	Q'TY	DESCRIPTION	REMARKS	NOTE1	NOTE2
1		130010-55930	1	GASKET, INTAKE			
2		130017-14011	1	INSULATOR			
3		900162-05022	2	BOLT, H.S. 5*22	5*22 W,SW		
4		130010-13410	1	GASKET, INTAKE			
5		178001-13410	1	WIRE, THROTTLE			
6		124200-14111	1	CARBURETOR ASSEMBLY	KR10PR-1F	Sus. by 124200-14112	
6		124200-14112	1	CARBURETOR	KR10PR-1F		
7		900242-05050	2	SCREW 5*50	5*50		
8		130300-13411	1	CLEANER ASM., AIR			
9	+	130307-13410	1	CASE, AIR CLEANER			
10	+	130310-13410	1	FILTER, AIR			
11	+	130308-13410	1	COVER, AIR CLEANER			
12	+	900238-05016	1	SCREW 5*16	5*16		
13		145621-55930	1	COVER, MUFFLER			
14		900106-05008	2	BOLT, H.S. 5* 8	5*8		
15		900105-05055	2	BOLT, H.S. 5*55	5*55		
16		900600-00005	2	WASHER 5	5		
17		145610-55930	1	MUFFLER		Sus. by 145610-62630	
17		145610-55931	1	MUFFLER		Sus. by 145610-62630	
17		145610-62630	1	MUFFLER			
18		145510-55930	1	GASKET, MUFFLER			

7. Carburetor

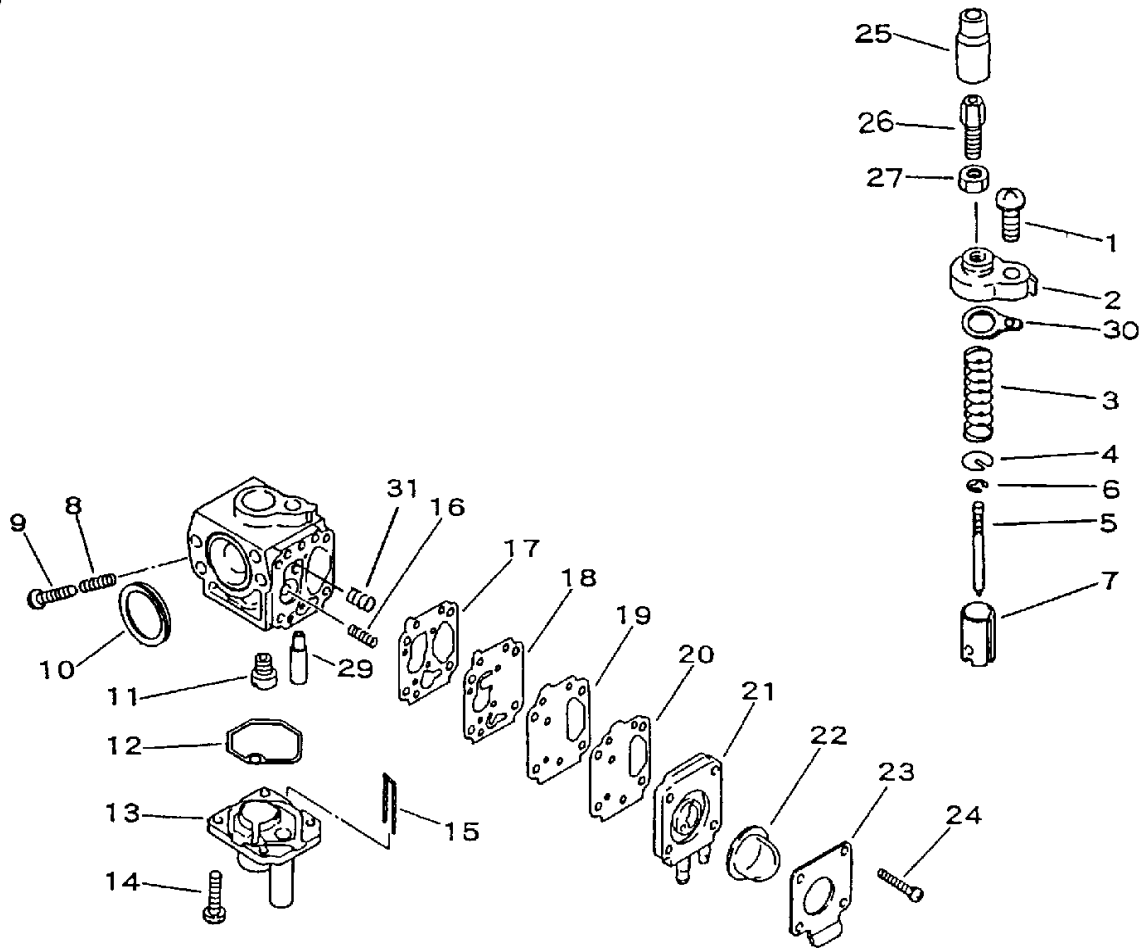
No.7



KEY	LV	PART NUMBER	Q'TY	DESCRIPTION	REMARKS	NOTE1	NOTE2
		124200-14111	1	CARBURETOR ASSEMBLY	KR10PR-1F	Sus. by 124200-14112	
		124200-14112	1	CARBURETOR	KR10PR-1F		
1	+	900241-05016	1	SCREW 5*16 (W/W,SW)	5*16		
2	+	124113-13410	1	COVER, TOP			
3	+	124114-05530	1	SPRING, THROTTLE			
4	+	124115-05530	1	SEAT, SPRING			
5	+	124317-14110	1	NEEDLE, JET			
6	+	124116-05530	1	E-RING			
7	+	124318-54230	1	VALVE, THROTTLE			
8	+	124160-11120	1	SPRING, IDLE ADJUST			
9	+	124129-13410	1	SCREW			
10	+	124149-13410	1	GASKET, FRANGE			
11	+	124122-14010	1	JET, MAIN #50			
12	+	124123-13410	1	GASKET, CHAMBER			
13	+	124124-13410	1	CHAMBER, FLOAT			
14	+	900241-03010	4	SCREW 3*10 (W/SW)	3*10		
15	+	124182-13410	1	WIRE, DRAIN			
16	+	124355-50130	1	SPRING, ADJUSTMENT			
17	+	124361-12710	1	GASKET			
18	+	124364-12710	1	DIAPHRAGM, FUEL PUMP	NBR		
19	+	124362-12710	1	PLATE, PUMP			
20	+	124363-12710	1	GASKET, FUEL PUMP			
21	+	124365-13410	1	COVER, PUMP			
22	+	124380-12710	1	PUMP, PRIMING			
23	+	124342-12710	1	PLATE, PUMP			

7. Carburetor

No.7



KEY	LV	PART NUMBER	Q'TY	DESCRIPTION	REMARKS	NOTE1	NOTE2
24	+	900241-03014	4	SCREW 3*14 (W/SW)	3*14		
25	+	124174-13410	1	CAP, RUBBER			
26	+	124158-13410	1	ADJUST,CABLE		Sus. by 124158-13411	
26	+	124158-13411	1	ADJUSTER, CABLE			
27	+	124111-05810	1	NUT			
29	+	124162-13410	1	JET, NEEDLE			
30	+	124172-13410	1	PACKING			
31	+	124367-54230	1	SPRING,BACK UP			

Index

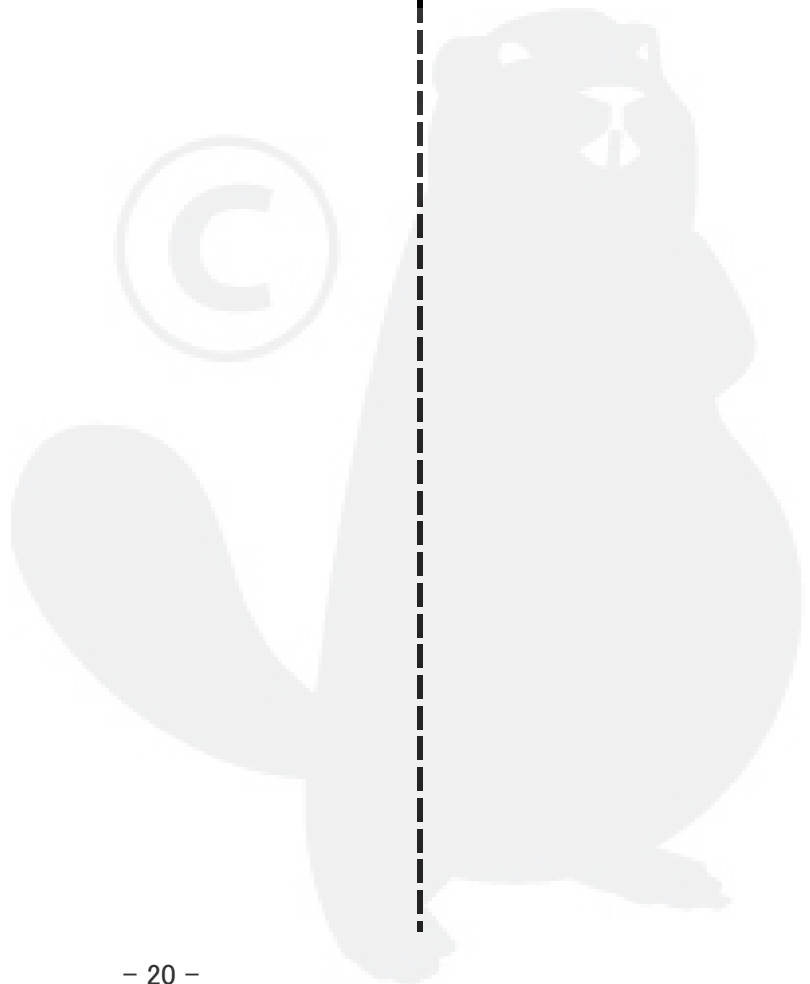
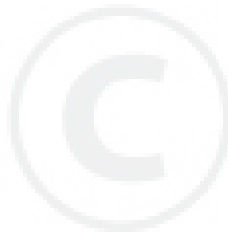
Patrs Number	Key No.	Patrs Number	Key No.	Patrs Number	Key No.
100000-55931	4 - 7	124200-14112	6 - 6	159010-19630	5 - 28
100000-55932	4 - 7	124200-14112	7 -	159011-03432	5 - 27
100011-05330	4 - 8	124317-14110	7 - 5	159012-03433	5 - 26
100012-55930	4 - 11	124318-54230	7 - 7	162010-14010	2 - 33
100013-22330	4 - 10	124342-12710	7 - 23	162010-55430	5 - 29
100014-55930	4 - 12	124355-50130	7 - 16	162110-13410	2 - 32
100015-04630	4 - 9	124361-12710	7 - 17	162110-13610	3 - 69
100100-55930	4 - 13	124362-12710	7 - 19	166101-10220	2 - 34
100129-13410	3 - 18	124363-12710	7 - 20	175005-14110	3 - 40
100142-12330	4 - 14	124364-12710	7 - 18	175009-55930	5 - 30
100204-55930	4 - 15	124365-13410	7 - 21	175009-55931	5 - 30
100204-57031	4 - 15	124367-54230	7 - 31	175018-14010	5 - 34
100212-04630	3 - 57	124380-12710	7 - 22	175046-56030	5 - 31
100212-28230	4 - 21	130010-13410	6 - 4	175048-05530	5 - 32
100213-05530	4 - 16	130010-55930	6 - 1	175049-56030	5 - 33
100215-03930	3 - 34	130017-14011	6 - 2	177200-55931	5 - 1
100215-03930	3 - 34	130300-13411	6 - 8	177202-40630	5 - 9
100242-55930	4 - 19	130307-13410	6 - 9	177215-40630	5 - 3
100907-45930	2 - 22	130308-13410	6 - 11	177218-40630	5 - 10
101010-55930	4 - 6	130310-13410	6 - 10	177220-40630	5 - 2
101011-55930	4 - 4	131004-53530	2 - 9	177226-03930	5 - 6
101011-61230	4 - 4	131010-14010	2 - 7	177227-42030	5 - 7
101506-55931	4 - 2	131016-55830	2 - 8	177228-27030	5 - 8
101531-55930	4 - 3	131205-19830	2 - 4	177234-40630	5 - 11
101588-11610	3 - 39	131329-32330	3 - 36	177236-44330	5 - 5
101595-14110	3 - 38	131910-14010	2 - 23	178000-13410	2 - 36
104932-14011	2 - 21	131918-14010	2 - 17	178001-13410	6 - 5
110045-14010	2 - 27	131920-28230	2 - 18	178114-14010	2 - 39
110046-14010	2 - 25	132010-06110	2 - 6	178123-14010	2 - 37
110060-14010	5 - 16	132010-14010	2 - 2	200910-06610	2 - 26
124111-05810	7 - 27	132013-14010	2 - 5	224100-14010	1 - 29
124113-13410	7 - 2	132013-14010	3 - 21	224100-14011	1 - 29
124114-05530	7 - 3	132013-26630	2 - 41	224102-10510	1 - 30
124115-05530	7 - 4	132115-44330	2 - 3	224105-14010	1 - 71
124116-05530	7 - 6	145510-55930	6 - 18	224110-12710	1 - 32
124122-14010	7 - 11	145610-55930	6 - 17	224116-21050	1 - 75
124123-13410	7 - 12	145610-55931	6 - 17	224127-14010	1 - 72
124124-13410	7 - 13	145610-62630	6 - 17	224128-10810	1 - 73
124129-13410	7 - 9	145621-55930	6 - 13	224129-10810	1 - 74
124149-13410	7 - 10	145642-00760	1 - 36	224400-11710	1 - 31
124158-13410	7 - 26	145642-00760	2 - 13	250001-14010	1 - 1
124158-13411	7 - 26	145642-00760	2 - 29	250010-14011	1 - 8
124160-11120	7 - 8	150114-04920	2 - 38	250011-01110	1 - 4
124162-13410	7 - 29	150117-09130	5 - 22	250026-11310	1 - 2
124172-13410	7 - 30	152626-55931	5 - 25	250027-11310	1 - 3
124174-13410	7 - 25	152626-55932	5 - 25	250210-11610	1 - 9
124182-13410	7 - 15	152801-55930	5 - 18	250211-11410	1 - 10
124200-14111	6 - 6	156112-28230	5 - 24	250211-11610	1 - 10
124200-14111	7 -	156112-40630	5 - 24	250916-06210	1 - 16

Index

Patrs Number	Key No.	Patrs Number	Key No.	Patrs Number	Key No.
250916-06210	1 - 22	403236-13410	3 - 60	900216-05012	3 - 42
253910-14010	1 - 15	403238-13410	3 - 61	900216-05016	1 - 26
253913-10910	1 - 7	403239-13410	3 - 63	900220-05010	3 - 3
254210-12210	1 - 5	403313-12111	3 - 45	900226-06020	1 - 13
300005-14011	1 - 21	403313-13410	3 - 27	900238-05016	6 - 12
300005-14012	1 - 21	403410-13610	3 - 31	900239-04014	5 - 13
300013-14010	2 - 11	403710-13410	3 - 47	900240-04008	3 - 26
300013-14011	2 - 11	403711-13410	3 - 46	900241-03010	7 - 14
300014-14010	2 - 12	403810-13410	3 - 59	900241-03014	7 - 24
300014-14011	2 - 12	403813-13410	3 - 58	900241-05016	7 - 1
300111-14010	1 - 23	403814-13410	3 - 64	900242-04010	3 - 43
300217-00610	3 - 41	429700-13410	3 - 1	900242-05010	2 - 31
300300-14010	1 - 25	429710-13410	3 - 19	900242-05010	2 - 40
300328-03210	1 - 27	429711-13410	3 - 16	900242-05012	5 - 17
300333-06160	1 - 24	429712-13411	3 - 9	900242-05014	2 - 19
305117-03360	5 - 15	429718-13410	3 - 15	900242-05014	2 - 28
357013-13410	3 - 24	429719-13410	3 - 8	900242-05014	4 - 1
357013-14110	3 - 71	429720-13410	3 - 6	900242-05020	2 - 35
357013-14111	3 - 71	429728-13410	3 - 13	900242-05022	3 - 50
382030-14110	3 - 73	429736-13410	3 - 14	900242-05025	4 - 20
384002-12710	1 - 33	429759-07350	3 - 2	900242-05050	6 - 7
384002-13410	3 - 23	437210-15130	2 - 1	900242-06014	2 - 15
384013-13410	3 - 20	613011-14110	3 - 56	900252-04010	3 - 5
384013-13411	3 - 20	613013-13410	3 - 51	900321-03008	3 - 48
384015-14110	3 - 25	613019-07350	3 - 4	900502-00008	3 - 54
385120-13410	3 - 22	890012-07510	1 - 11	900502-00008	5 - 12
386010-14110	3 - 70	890016-06210	1 - 18	900502-00008	5 - 21
386011-13610	3 - 87	890016-06211	1 - 18	900515-00005	2 - 20
386011-14110	3 - 72	890016-06212	1 - 18	900515-00006	2 - 24
403110-14110	3 - 33	890016-06213	1 - 18	900515-00006	3 - 75
403114-13410	3 - 68	890016-07010	1 - 19	900560-00005	1 - 28
403115-13410	3 - 28	890016-07011	1 - 19	900600-00005	6 - 16
403118-13410	3 - 86	890034-14111	1 - 12	900600-00006	3 - 12
403119-14110	3 - 35	890053-56230	5 - 14	900600-00008	5 - 19
403123-07350	3 - 44	890080-13610	1 - 17	900602-00008	3 - 52
403126-13410	3 - 76	890090-11310	1 - 20	900605-00006	3 - 11
403130-13410	3 - 67	890096-10510	1 - 14	900605-00008	3 - 53
403134-13410	3 - 65	890098-06210	2 - 16	900605-00008	5 - 20
403140-13410	3 - 85	890098-06211	2 - 16	900700-00004	5 - 37
403143-13410	3 - 62	895410-03930	1 - 35	900702-00028	4 - 18
403159-13410	3 - 66	900104-06016	2 - 14	900720-00018	3 - 17
403200-13411	3 - 78	900104-06016	2 - 30	900720-30028	1 - 9
403211-13410	3 - 79	900105-05055	6 - 15	900722-00100	1 - 6
403212-13410	3 - 80	900106-05008	6 - 14	900722-00100	3 - 7
403213-13410	3 - 81	900162-04022	5 - 23	900724-00030	3 - 84
403214-13411	3 - 82	900162-05018	3 - 37	900724-00053	3 - 29
403218-13410	3 - 83	900162-05022	4 - 5	900725-01013	3 - 32
403226-13410	3 - 74	900162-05022	6 - 3	900725-02019	3 - 77
403226-13411	3 - 74	900180-06045	3 - 10	900800-06001	3 - 30

Index

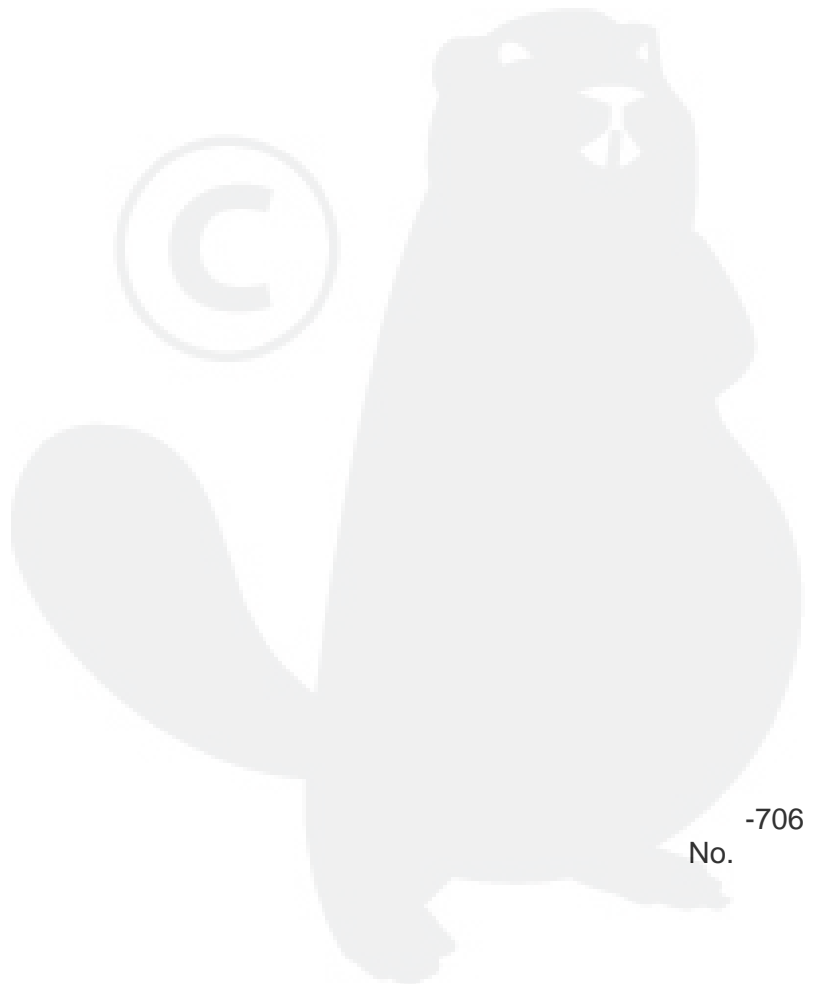
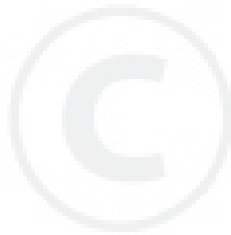
Patrs Number	Key No.	Patrs Number	Key No.	Patrs Number	Key No.
900800-36001	4 - 17				
900810-06201	3 - 49				
900855-06900	3 - 55				
91128-04022	5 - 23				
A160-000030	4 - 2				
E245-000050	1 - 31				
E270-000030	1 - 30				
P021-000080	2 - 7				
P021-000200	1 - 8				
V353-000020	4 - 3				
V471-000020	2 - 6				
V553-000020	4 - 11				



YAMABIKO CORPORATION

7-2 SUEHIROCHO 1-CHOME, OHME, TOKYO 198-8760, JAPAN
PHONE: 81-428-32-6118. FAX: 81-428-32-6145.

ECHO®



-706
No.