



PARTS CATALOG

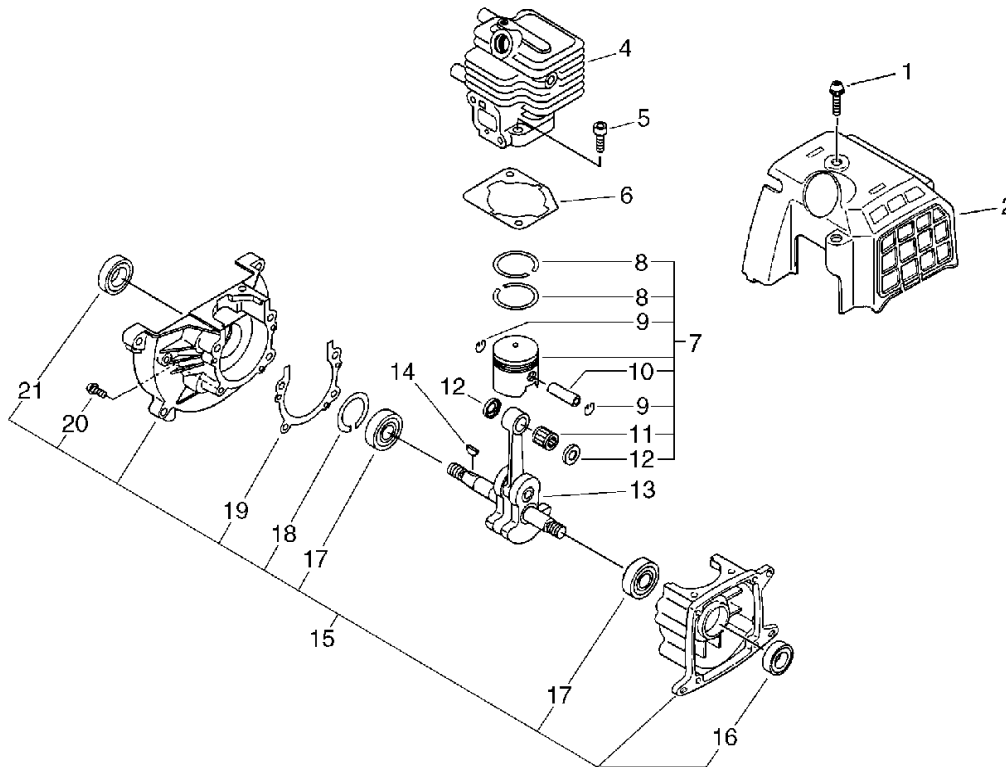
POWER SPRAYER SHP-800BS



SHP-800BS

1. Cylinder, Crankcase, Piston

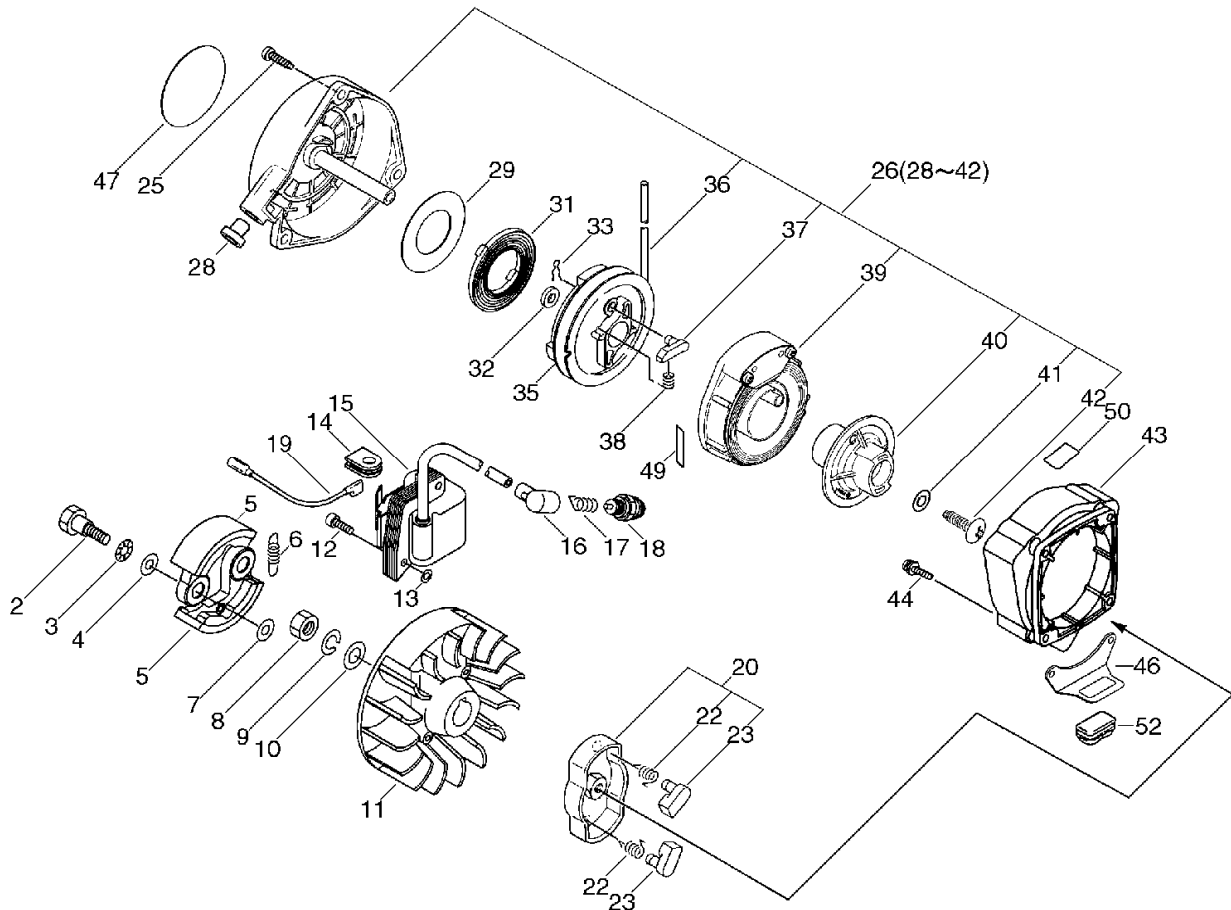
No.1



KEY	LV	PART NUMBER	Q'TY	DESCRIPTION	REMARKS	NOTE1	NOTE2
1		900242-05014	1	SCREW 5*14	5*14		
2		A160-000030	1	COVER,CYLINDER			
4		101011-61230	1	CYLINDER			
5		900162-05022	2	BOLT, H.S. 5*22	5*22 W,SW		
6		101010-55930	1	GASKET, CYL. BASE			
7		100000-55932	1	PISTON KIT			
8	+	100011-05330	2	RING, PISTON			
9	+	100015-04630	2	CIRCLIP, PISTON PIN			
10	+	100013-22330	1	PIN, PISTON			
11	+	V553-000020	1	BEARING,NEEDLE 8	KBK8X11X8.8X4		
12	+	100014-55930	2	SPACER, PISTON PIN			
13		100100-55930	1	CRANKSHAFT ASSY			
14		100142-12330	1	KEY, WOODRUFF			
15		100204-57031	1	CRANKCASE KIT			
16	+	100213-05530	1	OILSEAL	ISCD 12 22 7		
17	+	900800-36001	2	BEARING, BALL 6001	6001/C3		
18	+	900702-00028	1	CIRCLIP 28	CR-28		
19	+	100242-55930	1	GASKET, CRANKCASE			
20	+	900242-05025	4	SCREW 5*25	5*25		
21	+	100212-28230	1	OILSEAL ISCD 12*28*7	ISCD 12*28*7		

2. Starter, Magneto, Clutch

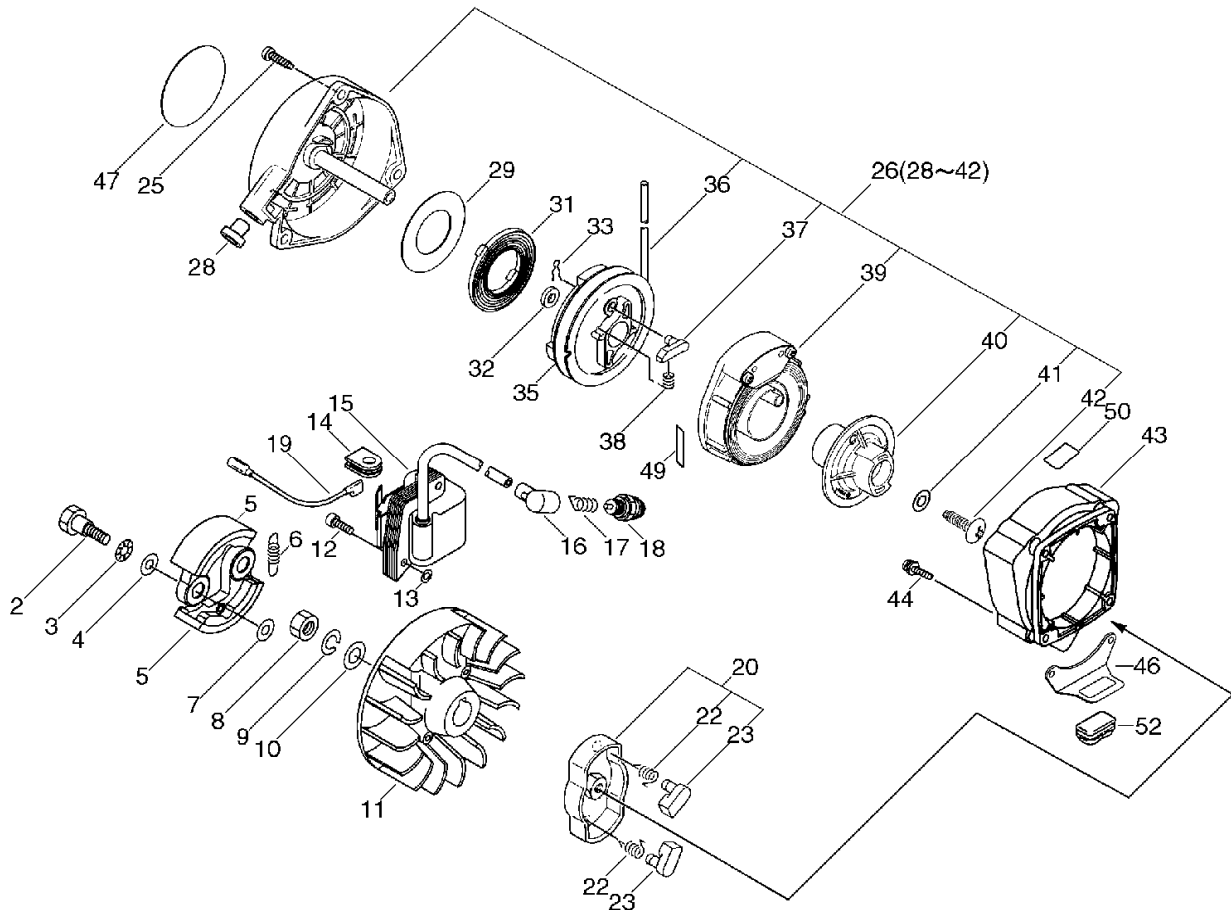
No.2



KEY	LV	PART NUMBER	Q'TY	DESCRIPTION	REMARKS	NOTE1	NOTE2
2		175046-56030	2	SHAFT, CLUTCH			
3		175049-56030	2	WASHER	8.5*16*0.5		
4		V306-000020	2	WASHER,CIRCULAR 8	8.2*17*0.2		
5		175009-55930	2	SHOE, CLUTCH		Sus. by 175009-55931	
5		175009-55931	2	SHOE, CLUTCH			
6		V451-000040	1	SPRING,TENSION	5.9KGF		
7		V304-000010	2	WASHER,CIRCULAR 6	6*18*1.2		
8		900502-00008	1	NUT 8 (3N)	3N8		
9		900605-00008	1	WASHER, SPRING 8	8		
10		900600-00008	1	WASHER 8	8		
11		152801-56530	1	ROTOR, MAGNETO			
12		900162-04022	2	BOLT, H.S. 4*22	4*22 W,SW	Sus. by 91128-04022	
12		91128-04022	2	BOLT HSH	CM-4*22		
13		150117-09130	2	SPACER			
14		156112-28230	1	GROMMET		Sus. by 156112-40630	
14		156112-40630	1	GROMMET			
15		152626-55932	1	COIL, IGNITION			
16		159012-03433	1	CAP, SPARK PLUG			
17		159011-03432	1	COIL, SPARK PLUG			
18		159010-19630	1	PLUG, SPARK (BPM-7Y)	BPM-7Y		
19		162010-55430	1	LEAD	315L		
20		177202-12220	1	PAWL ASSY, STARTER			
22	+	177234-12220	2	SPRING, PAWL			

2. Starter, Magneto, Clutch

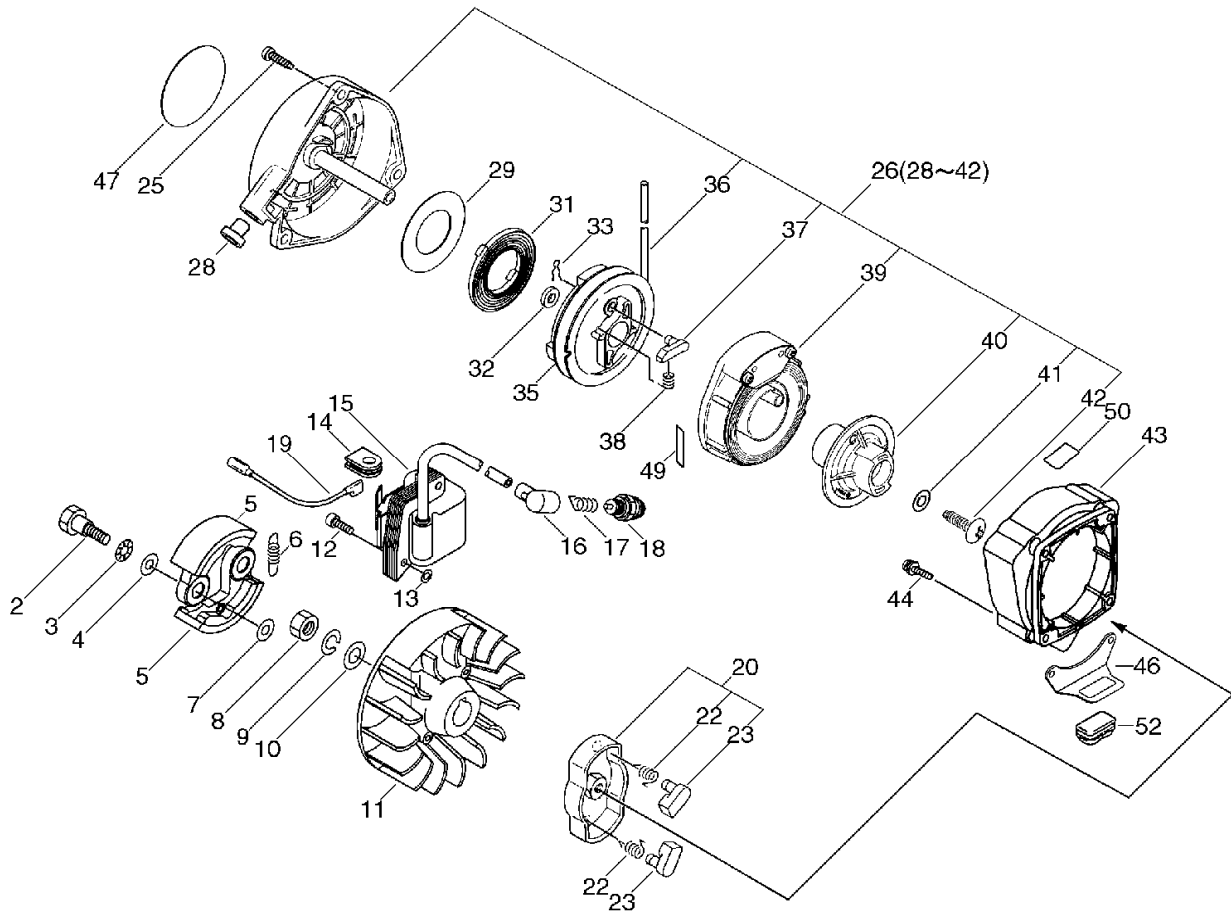
No.2



KEY	LV	PART NUMBER	Q'TY	DESCRIPTION	REMARKS	NOTE1	NOTE2
23	+	177218-44330	2	PAWL, STARTER	BLACK		
25		900253-05020	3	SCREW 5*20	5*20		
26		A051-000520	1	STARTER,RECOIL		Sus. by A051-000521	
26		A051-000521	1	STARTER,RECOIL			
28	+	177227-42030	1	GUIDE, ROPE			
29	+	A503-000010	1	PLATE,STARTER			
31	+	A504-000001	1	SPRING,SPIRAL			
32	+	V355-000080	1	COLLAR,8	8.2*16*3		
33	+	V641-000040	2	PIN,SNAP			
35	+	A506-000010	1	REEL,ROPE			
36	+	A509-000030	1	ROPE			
37	+	A514-000010	2	PAWL			
38	+	V450-000130	2	SPRING,COMPRESSION			
39	+	P021-004030	1	POWER SPRING ASY			
40	+	A520-000002	1	PULLEY,STARTING			
41	+	177214-02830	1	WASHER	5.2*16*1.0T	Next Production :Nil	
42	+	900216-05012	1	SCREW 5*12	5*12	Sus. by V253-000060	
42	+	V253-000060	1	SCREW,5			
43		V376-000160	1	SPACER			
44		900162-04014	4	BOLT, H.S. 4*14	4*14 W,SW		
46		V152-000990	1	PLATE,ANGLE			
47		X502-000032	1	LABEL,ECHO			
49		X505-000620	1	LABEL,CAUTION			

2. Starter, Magneto, Clutch

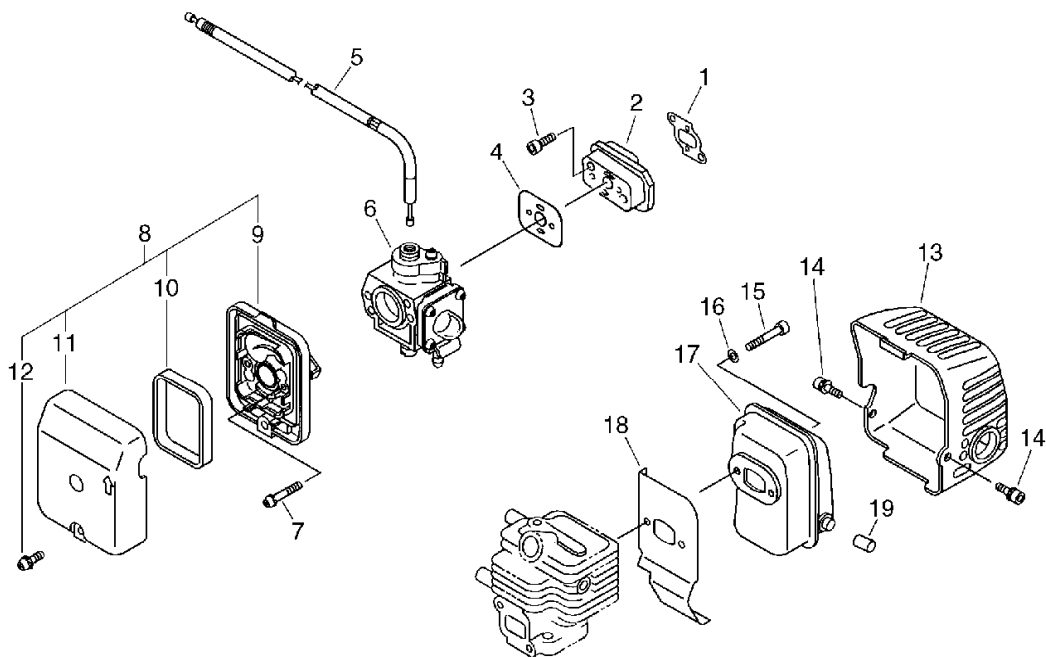
No.2



KEY	LV	PART NUMBER	Q'TY	DESCRIPTION	REMARKS	NOTE1	NOTE2
50		890160-06361	1	LABEL, CAUTION			
52		305117-03360	1	CUSHION			

3. Air Cleaner, Muffler

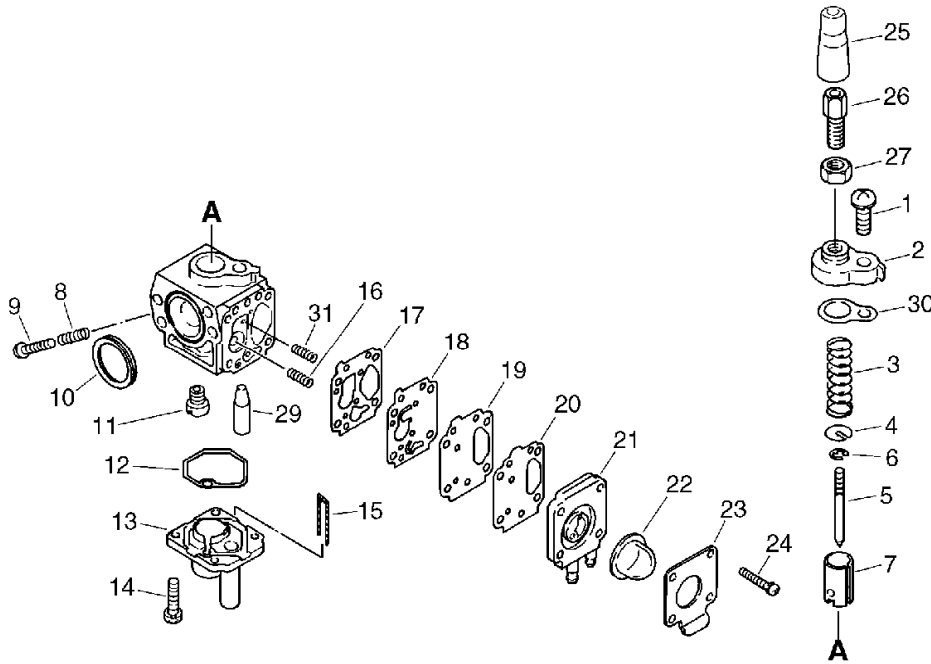
No.3



KEY	LV	PART NUMBER	Q'TY	DESCRIPTION	REMARKS	NOTE1	NOTE2
1		130010-55930	1	GASKET, INTAKE			
2		130017-56431	1	INSULATOR			
3		900162-05025	2	BOLT, H.S. 5*25	5*25 W,SW		
4		130010-56330	1	GASKET, INTAKE			
5		706130-05230	1	THROTTLE WIRE			
6		124200-13220	1	CARBURETOR	KR8PR-1B		
7		900242-05050	2	SCREW 5*50	5*50		
8		130300-13411	1	CLEANER ASM., AIR			
9	+	130307-13410	1	CASE, AIR CLEANER			
10	+	130310-13410	1	FILTER, AIR			
11	+	130308-13410	1	COVER, AIR CLEANER			
12	+	900238-05016	1	SCREW 5*16	5*16		
13		145621-56530	1	COVER, MUFFLER			
14		900106-05008	2	BOLT, H.S. 5* 8	5*8		
15		900105-05055	2	BOLT, H.S. 5*55	5*55		
16		900600-00005	2	WASHER 5	5		
17		145610-62630	1	MUFFLER			
18		145510-55932	1	GASKET, MUFFLER			
19		G231-000021	1	PIPE,EXHAUST			

4. Carburetor

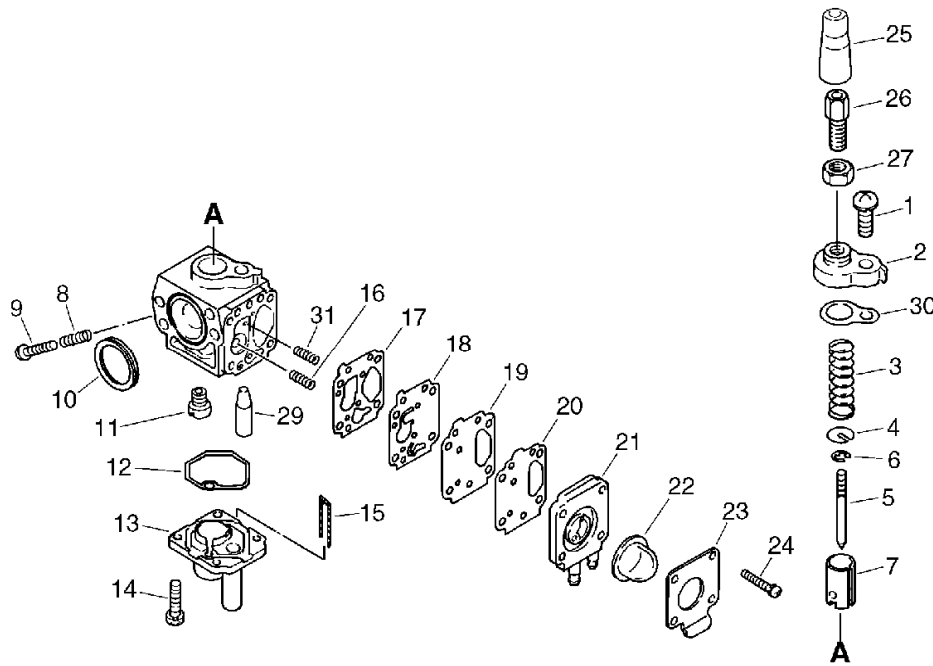
No.4



KEY	LV	PART NUMBER	Q'TY	DESCRIPTION	REMARKS	NOTE1	NOTE2
		124200-13220	1	CARBURETOR	KR8PR-1B		
1	+	900241-05016	1	SCREW 5*16 (W/W,SW)	5*16		
2	+	124113-13410	1	COVER, TOP			
3	+	124114-05530	1	SPRING, THROTTLE			
4	+	124115-05530	1	SEAT, SPRING			
5	+	124317-49930	1	NEEDLE, JET			
6	+	124116-05530	1	E-RING			
7	+	124318-57030	1	VALVE, THROTTLE			
8	+	124160-11120	1	SPRING, IDLE ADJUST			
9	+	124129-13410	1	SCREW			
10	+	124149-13410	1	GASKET, FRANGE			
11	+	124122-15310	1	JET, MAIN	#44		
12	+	124123-13410	1	GASKET, CHAMBER			
13	+	124124-13410	1	CHAMBER, FLOAT			
14	+	900241-03010	4	SCREW 3*10 (W/SW)	3*10		
15	+	124182-13410	1	WIRE, DRAIN			
16	+	124355-50130	1	SPRING, ADJUSTMENT			
17	+	124361-12710	1	GASKET			
18	+	124364-12710	1	DIAPHRAGM, FUEL PUMP	NBR		
19	+	124362-12710	1	PLATE,PUMP			
20	+	124363-12710	1	GASKET, FUEL PUMP			
21	+	124365-13410	1	COVER, PUMP			
22	+	124380-12710	1	PUMP, PRIMING			
23	+	124342-12710	1	PLATE, PUMP			
24	+	900241-03014	4	SCREW 3*14 (W/SW)	3*14		
25	+	124174-13410	1	CAP, RUBBER			

4. Carburetor

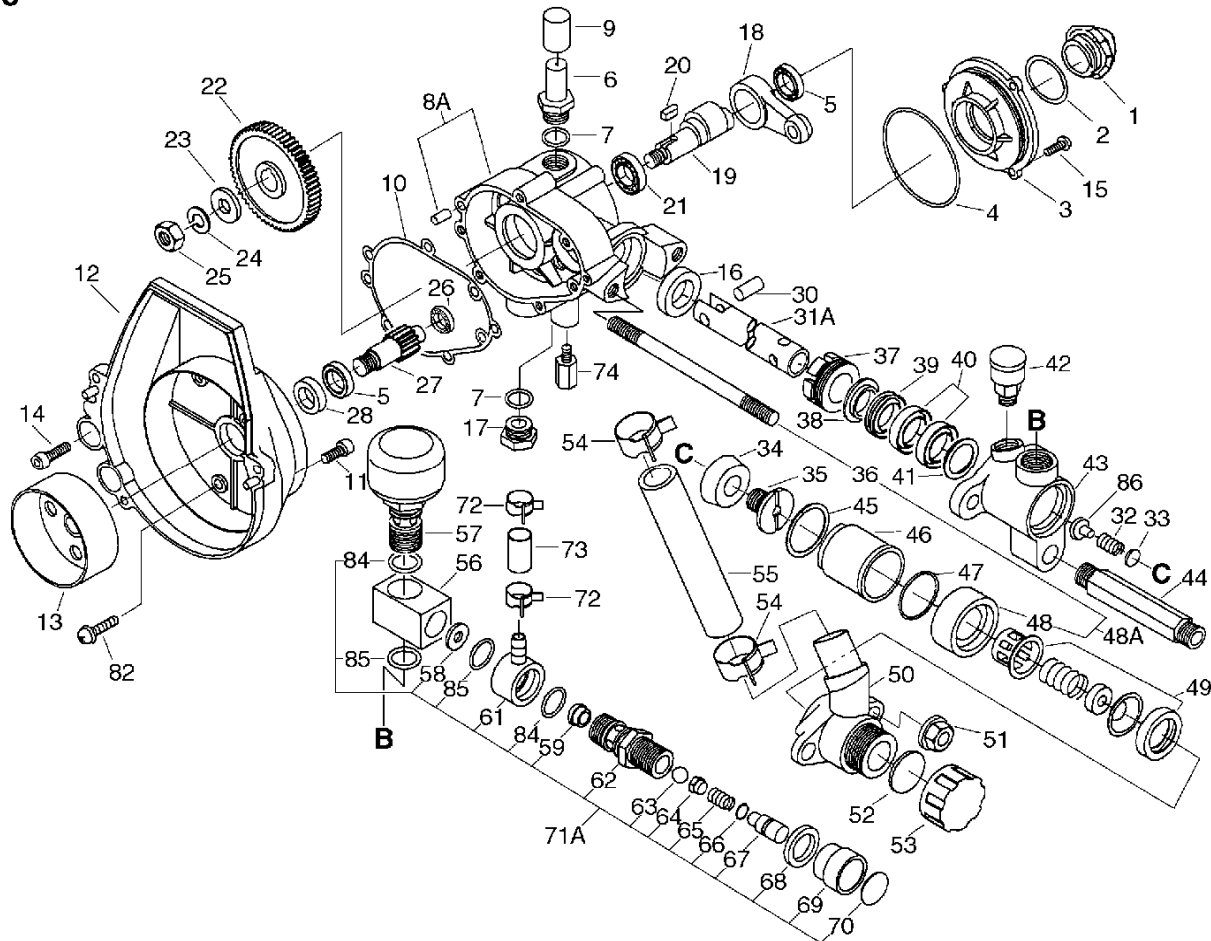
No.4



KEY	LV	PART NUMBER	Q'TY	DESCRIPTION	REMARKS	NOTE1	NOTE2
26	+	124158-13411	1	ADJUSTER, CABLE			
27	+	1241111-05810	1	NUT			
29	+	124162-13410	1	JET, NEEDLE			
30	+	124172-13410	1	PACKING			
31	+	124367-54230	1	SPRING, BACK UP			

5. Pressure Pump Single Nozzle Type

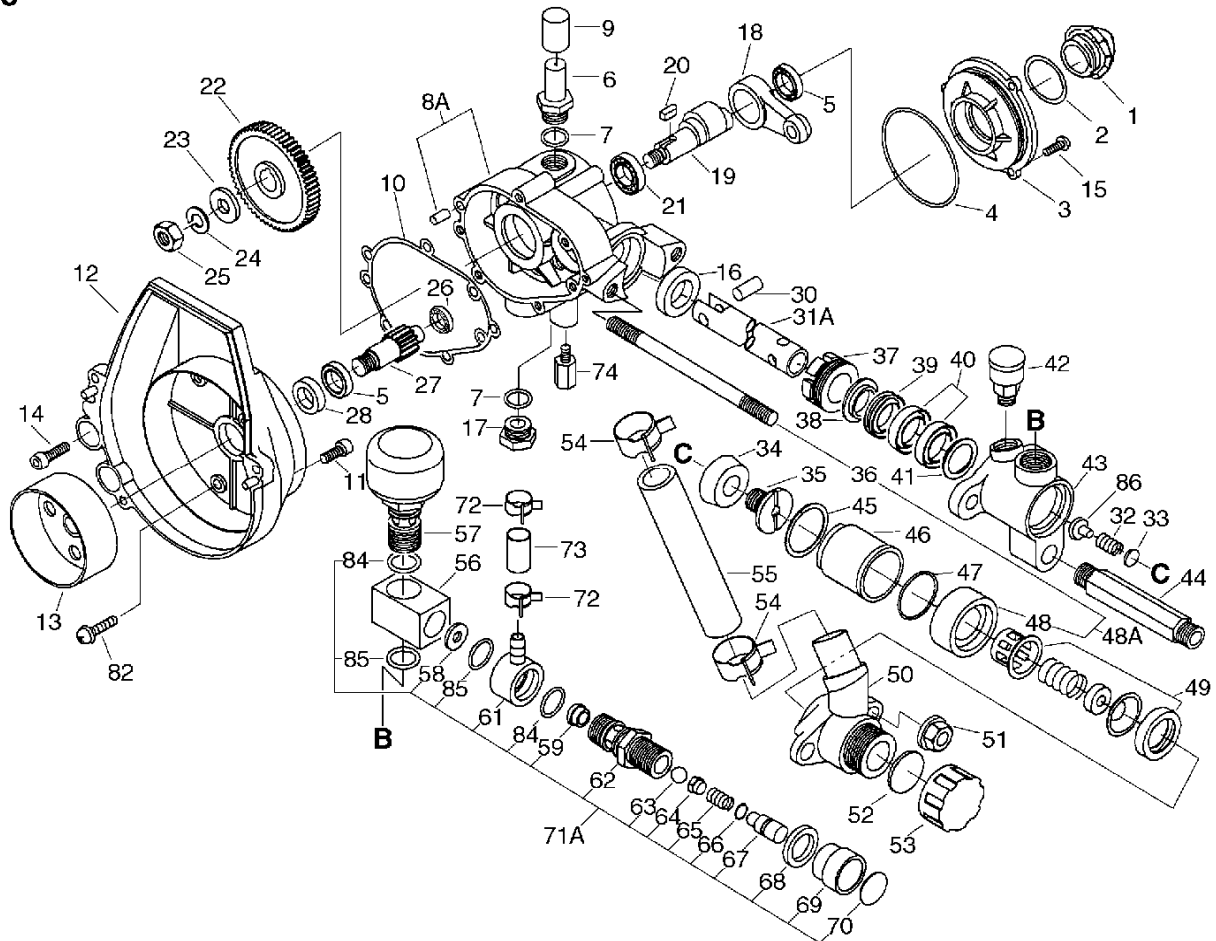
No.5



KEY	LV	PART NUMBER	Q'TY	DESCRIPTION	REMARKS	NOTE1	NOTE2
1		706150-01951	1	OIL GAUGE		Sus. by 706150-01954	
1		706150-01953	1	OIL GAUGE		Sus. by 706150-01954	
1		706150-01954	1	OIL GAUGE			
2		706150-02781	1	O-RING			
3		706020-03742	1	GEAR CASE LID			
4		706020-04970	1	O-RING			
5		900800-06001	2	BEARING, BALL 6001	6001	BB6001	
6		706020-06920	1	OILING BOLT			
7		900722-30112	2	O-RING	P-11.2		
8A		706020-08A43	1	PUMP BODY W/PIN			
9		706020-09970	1	CAP			
10		706020-10700	1	GASKET			
11		900162-05018	4	BOLT, H.S. 5*18	5*18 W,SW		
12		706020-12241	1	FAN COVER			
13		706020-13250	1	CLUTCH DRUM			
14		900162-05025	2	BOLT, H.S. 5*25	5*25 W,SW		
15		900242-04012	3	SCREW 4*12	4*12		
16		706020-16970	1	OIL SEAL			
17		706020-17920	1	DRAIN CAP			
18		706020-18220	1	CONNECTING ROD			
19		706020-19230	1	CRANK SHAFT			
20		706020-20030	1	KEY			
21		900810-06201	1	BEARING, BALL 6201	6201		
22		706020-22231	1	SPUR GEAR			

5. Pressure Pump Single Nozzle Type

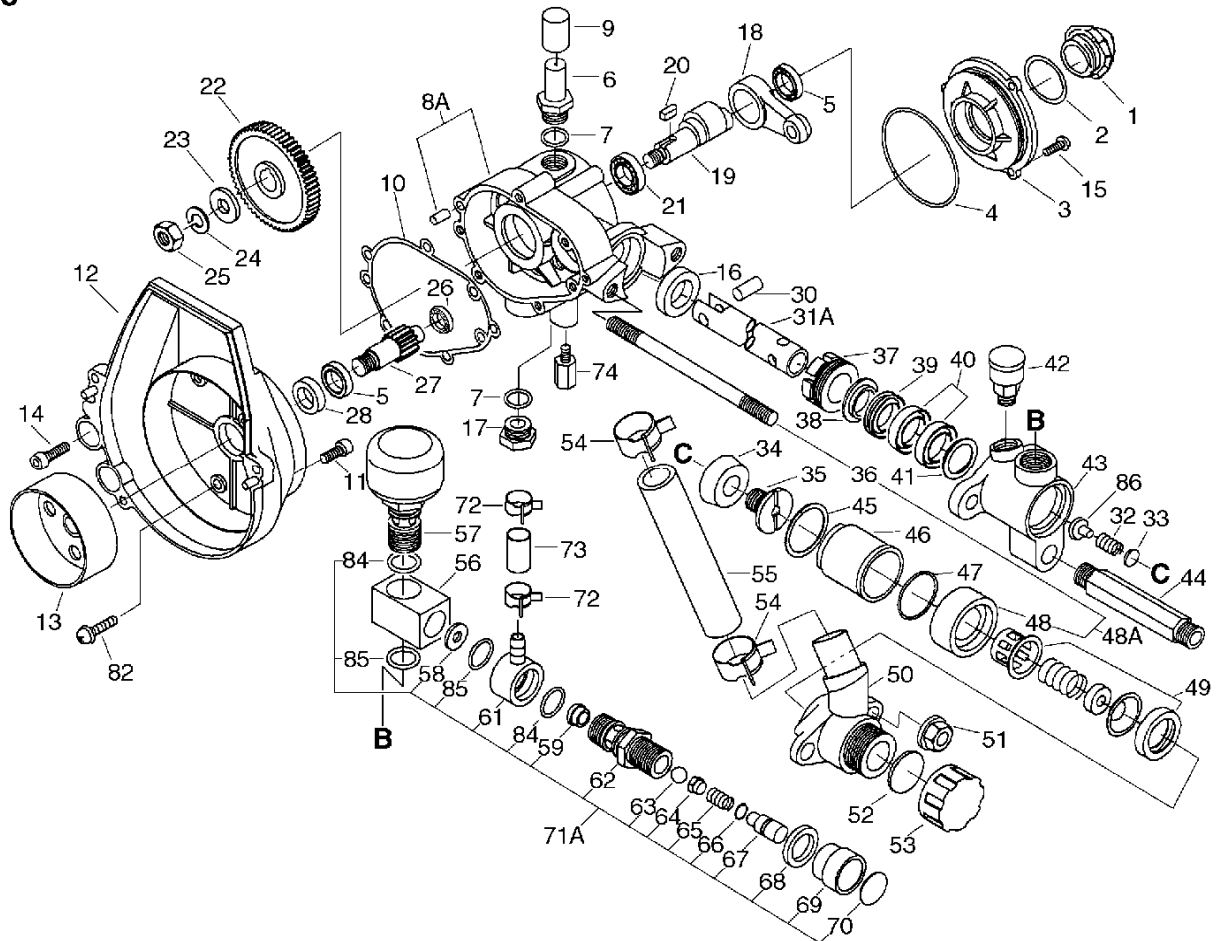
No.5



KEY	LV	PART NUMBER	Q'TY	DESCRIPTION	REMARKS	NOTE1	NOTE2
23		900600-00008	1	WASHER 8	8		
24		900605-00008	1	WASHER, SPRING 8	8		
25		706020-25950	1	NUT			
26		900800-00609	1	BEARING, BALL 609	609		
27		706020-27231	1	PINION SHAFT			
28		706020-28970	1	OIL SEAL			
30		706020-30230	1	PISTON PIN			
31A		706020-31A13	1	PLUNGER W/SPRINGSEAT			
86	+	706150-86060	1	SPRING SEAT			
32		706020-32010	1	VALVE SPRING			
33		706020-33710	1	DISK,VALVE			
34		706020-34770	1	PISTON PACKING			
35		706020-35911	1	VALVE SEAT			
37		706020-37620	1	NUT GLAND			
38		706020-38720	1	L-PACKING			
39		706020-39720	1	GREASE RING			
40		706020-40771	1	V-PACKING SET			
41		706020-41720	1	ADAPTER			
42		706020-42040	1	GREASE CUP			
43		706020-43421	1	CYLINDER			
44		706020-45022	1	JOINT			
45		706020-46780	1	PACKING			
46		706020-47412	1	SLEEVE			
47		706020-48970	1	O-RING			
48A		706020-49A20	1	VALVE CASING ASY			
36	+	706020-36951	2	STUD BOLT			

5. Pressure Pump Single Nozzle Type

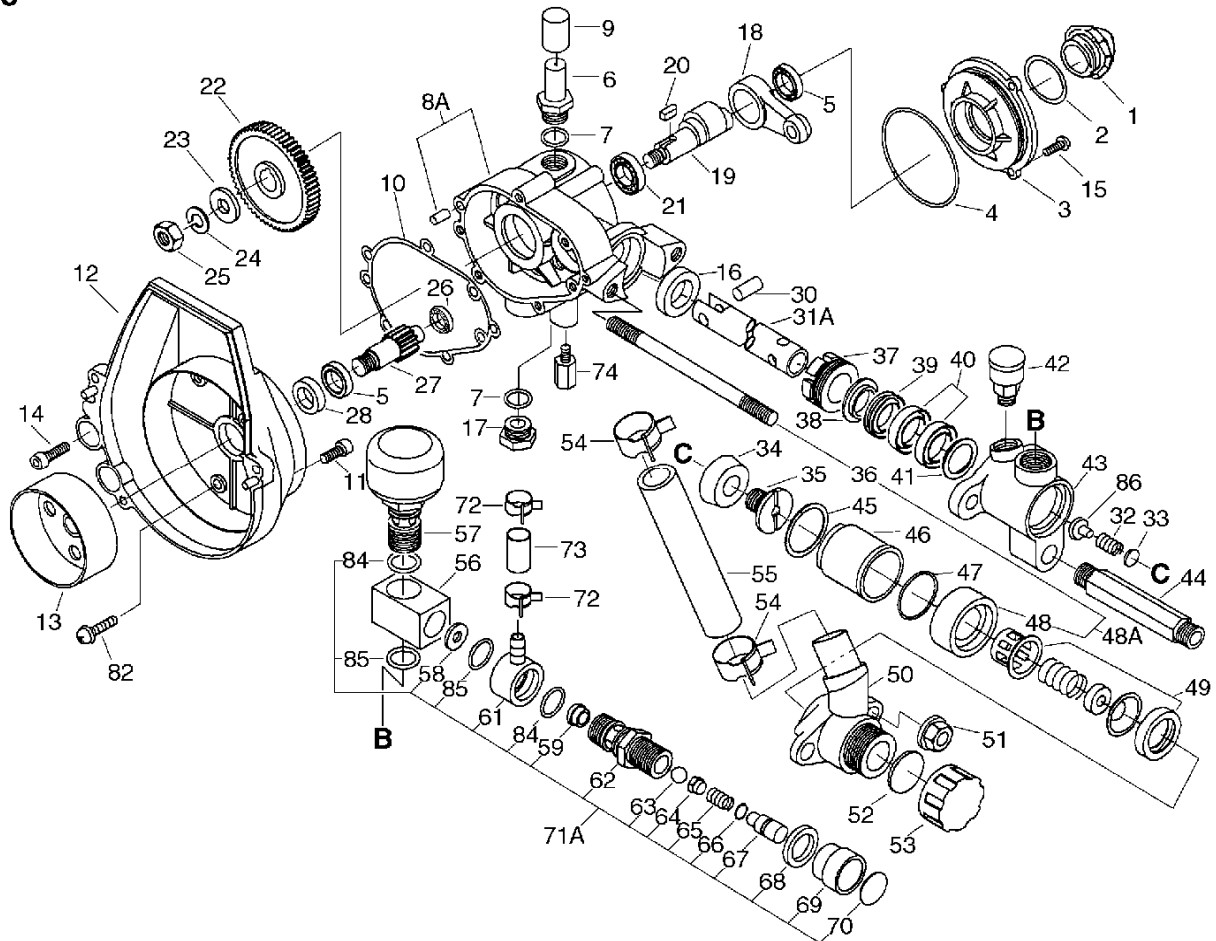
No.5



KEY	LV	PART NUMBER	Q'TY	DESCRIPTION	REMARKS	NOTE1	NOTE2
48	+	706020-49821	1	VALVE CASING			
49		706020-50000	1	VALVE ASSY			
50		706150-50520	1	INTAKE PIPE			
51		706020-52950	2	NUT			
52		250210-11610	1	GASKET DRAIN			
53		250211-11610	1	CAP, DRAIN			
54		706150-54931	2	BAND			
55		706150-55770	1	SUCTION HOSE		15*21*L90	
56		706020-55621	1	CONNECTOR			
57		706020-56411	1	AIR CHAMBER			
71A		706020-60A22	1	REGULATOR ASY			
58	+	706020-61760	1	WASHER			
59	+	706020-62012	1	VALVE SEAT			
61	+	706020-64620	1	VALVE CASING			
62	+	706020-65621	1	SPRING CASING			
63	+	706020-66011	1	BALL VALVE			
64	+	706020-67820	1	SPRING SEAT			
65	+	706020-68010	1	PRESSURE SPRING			
66	+	900720-00007	1	O-RING 7	P-7		
67	+	706020-70620	1	SPRING SEAT			
68	+	706020-71920	1	LOCK NUT			
69	+	706020-72920	1	REGULATOR CAP			
70	+	706020-73091	1	REGULATOR LABEL			
84	+	900720-01250	2	O-RING 12.5	P-12.5		
85	+	900720-00016	2	O-RING 16	P-16		
72		132013-14010	2	BAND	10.5MM		

5. Pressure Pump Single Nozzle Type

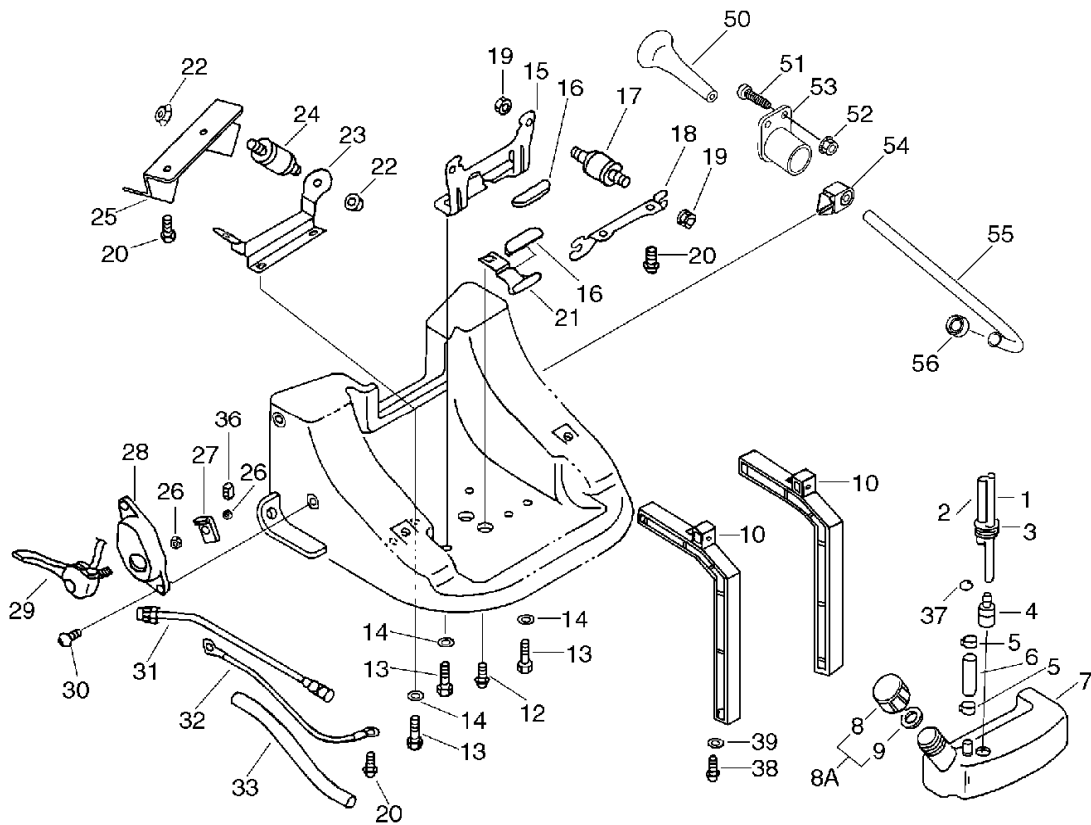
No.5



KEY	LV	PART NUMBER	Q'TY	DESCRIPTION	REMARKS	NOTE1	NOTE2
73		706150-73760	1	RETURN HOSE		7*11*L200	
74		706150-74950	1	ADAPTER			
82		900242-05025	4	SCREW 5*25	5*25		

6. Grip, Frame

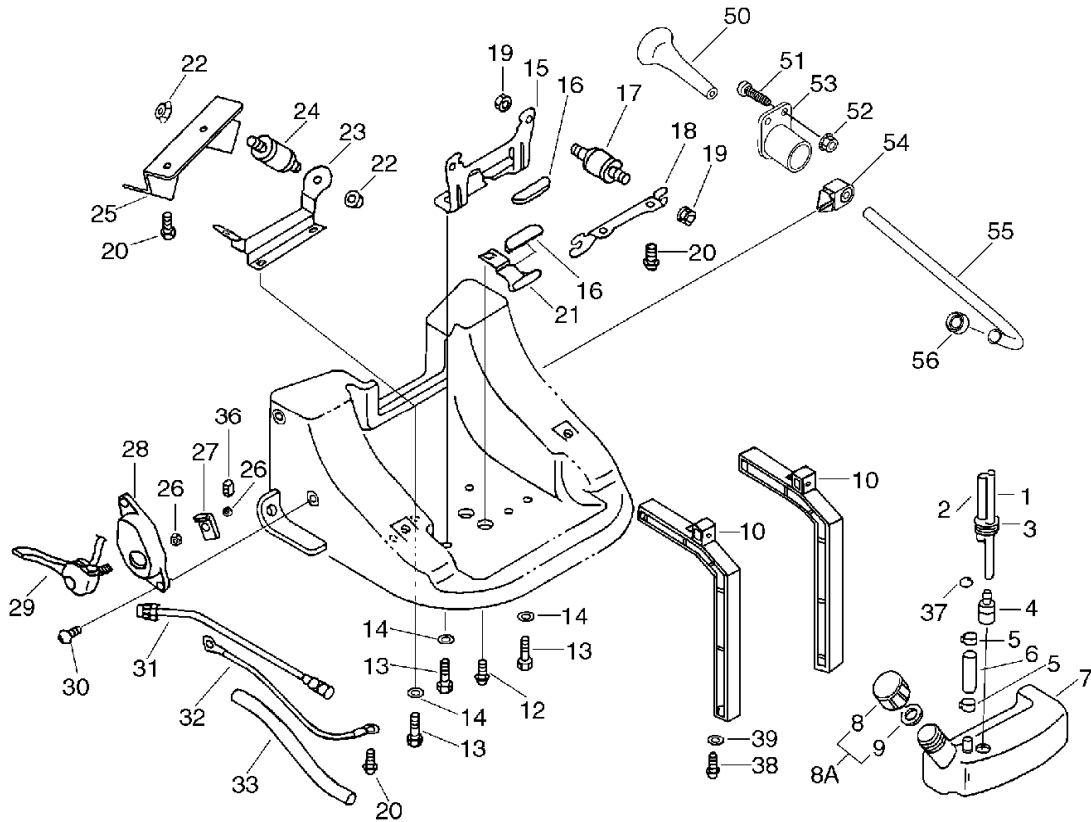
No.6



KEY	LV	PART NUMBER	Q'TY	DESCRIPTION	REMARKS	NOTE1	NOTE2
1		437210-15130	1	PIPE, OIL	3*6*200L		
2		706160-02061	1	FUEL HOSE			
3		132115-44330	1	GROMMET			
4		131205-19830	1	STRAINER, FUEL			
5		132013-14010	2	BAND	10.5MM		
6		706160-06062	1	FUEL OUTLET HOSE	8*11*70	7.94*11.11*L50-55	
7		706160-07560	1	FUEL TANK			
8A		706160-09A70	1	FUEL TANK CAP ASY			
8	+	706040-31761	1	FUEL TANK CAP			
9	+	706160-09771	1	PACKING, F. TANK CAP			
10		706160-10460	2	KNAPSACK FRAME			
12		900242-06015	4	SCREW 6*15	6*15		
13		900104-06016	4	BOLT 6*16 SUS	6*16 SUS		
14		706160-14950	4	WASHER		6.5*19*T2	
15		706160-15430	1	BRACKET, FUEL TANK			
16		706160-16770	2	CUSHION, FUEL TANK			
17		706160-17870	2	CUSHION			
18		706160-18450	1	BRACKET ENGINE			
19		900518-00005	4	NUT, FLANGE 5	5		
20		900242-05012	5	SCREW 5*12	5*12		
21		706160-21450	1	BRACKET FUEL TANK			
22		900518-00006	4	NUT, FLANGE	6		
23		706160-23450	1	PLATE, ANGLE			
24		706040-41870	2	CUSHION			
25		706160-25450	1	PLATE, ANGLE			

6. Grip, Frame

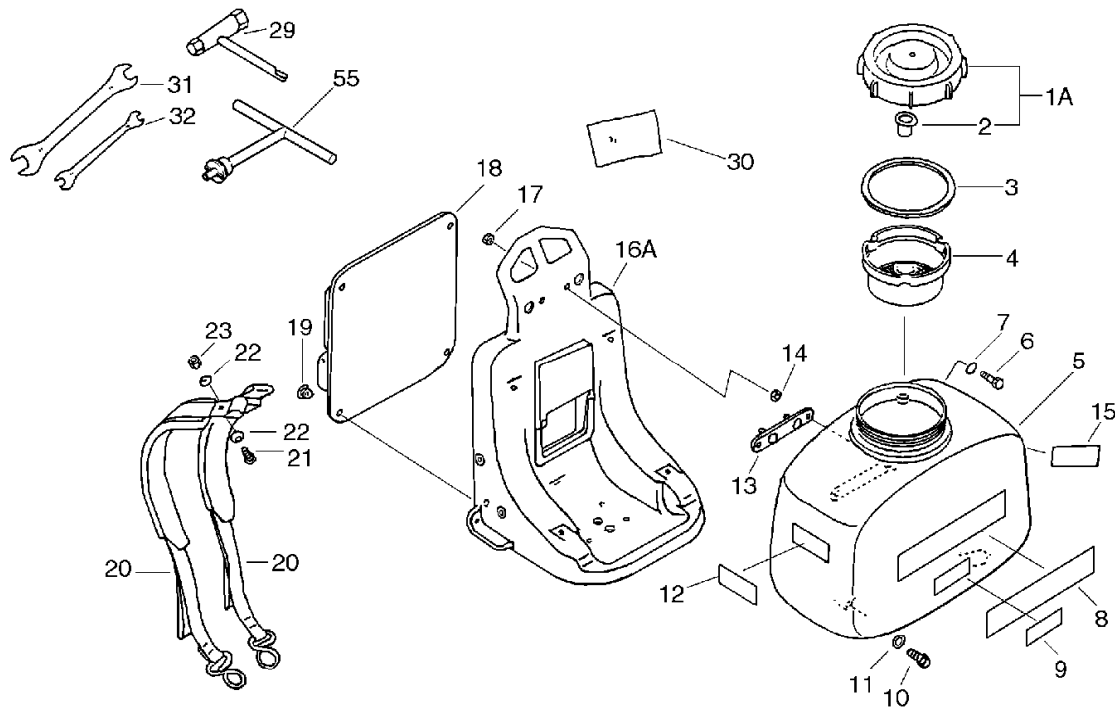
No.6



KEY	LV	PART NUMBER	Q'TY	DESCRIPTION	REMARKS	NOTE1	NOTE2
26		900500-00005	2	NUT 5	5		
27		706160-27050	1	FIXED PLATE			
28		178123-14010	1	BRACKET, THROTTLE			
29		706160-29260	1	THROTTLE, CONTORL			
30		900242-05020	2	SCREW 5*20	5*20		
31		706040-47000	1	STOP SWITCH			
32		706160-32000	1	LEAD			
33		706160-33760	1	PROTECTED PIPE			
36		706160-36870	1	GROMMET			
37		132013-26630	1	CLIP	6.5MM		
38		706170-10910	2	SCREW			
39		706170-11850	2	WASHER			
50		A511-000020	1	GRIP, STARTER			
51		91318-04014	2	SCREW	4*14		
52		92102-04000	2	NUT FLANGE			
53		C405-000060	1	BRACKET, HANDLE			
54		A510-000030	1	GUIDE, ROPE			
55		A510-000010	1	GUIDE, ROPE			
56		V420-000630	1	CUSHION			

7. Harness, Chemical Tank, Tools

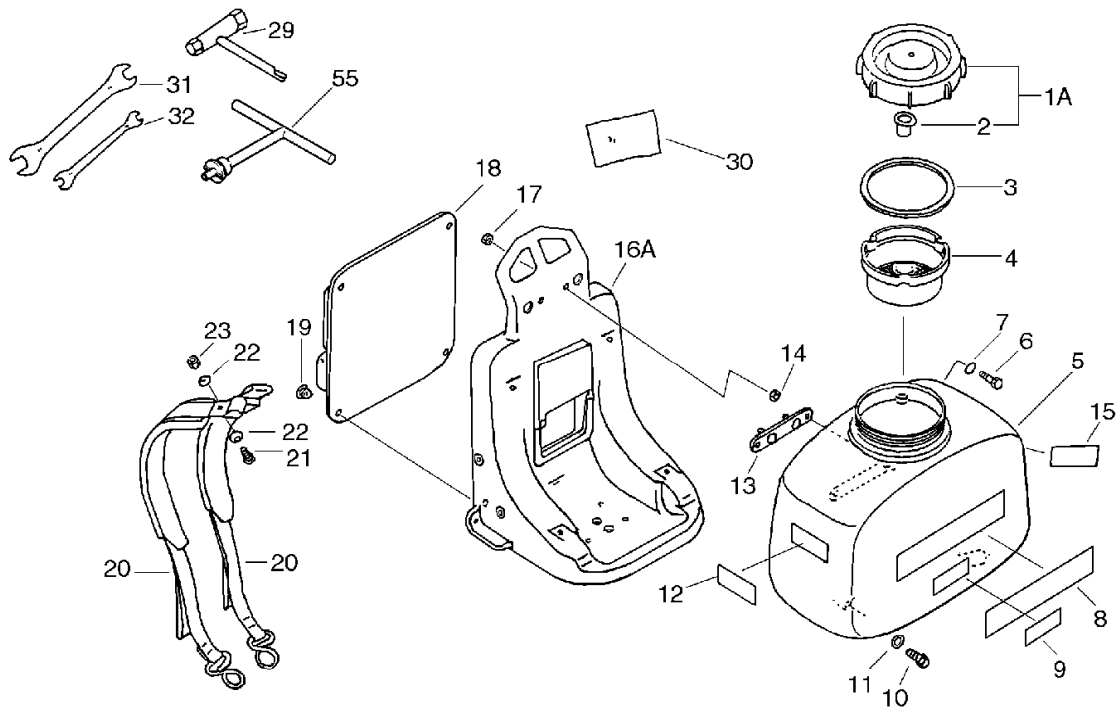
No.7



KEY	LV	PART NUMBER	Q'TY	DESCRIPTION	REMARKS	NOTE1	NOTE2
1A		706040-01A61	1	C.TANK CAP ASY			
2	+	706040-02760	1	BREATHER			
3		706040-03770	1	PACKING,CH.TANK			
4		706040-06661	1	FILTER,CH.TANK			
5		706170-05560	1	CHEMICAL TANK			
6		253913-10910	2	BOLT			
7		900722-00100	2	O-RING P-10A	P-10A(NBR)		
8		890118-12710	1	LABEL, ECHO			
9		706S70-09091	1	LABEL, MODEL			SHP-800BS
10		706170-10910	4	SCREW			
11		706170-11850	4	WASHER			D5.2 D16 2T
12		706170-12091	1	LABEL, CAUTION S-E			ENGLISH
13		706170-13410	1	BRACKET TANK			
14		900518-00006	2	NUT, FLANGE	6		
15		706040-05091	1	LABEL, CAUTION L-E			ENGLISH
16A		706170-16A62	1	FRAME BACKPACK ASY			
17		706170-17960	2	NUT, FLANGE			
18		300111-14010	1	CUSHION, KNAPSACK			
19		706170-19061	4	CLIP			
20		706170-20080	2	HARNESS BACKPACK			Sus. by 706170-20081
20		706170-20081	2	HARNESS BACKPACK			
21		900216-05014	2	SCREW 5*14	5*14		
22		706040-20850	4	WASHER, HARNESS			5.2*22*2.0
23		900560-00005	2	NUT, LOCK 5	5		M5 U NUT
29		895410-10630	1	WRENCH, W/S. DRIVER			

7. Harness, Chemical Tank, Tools

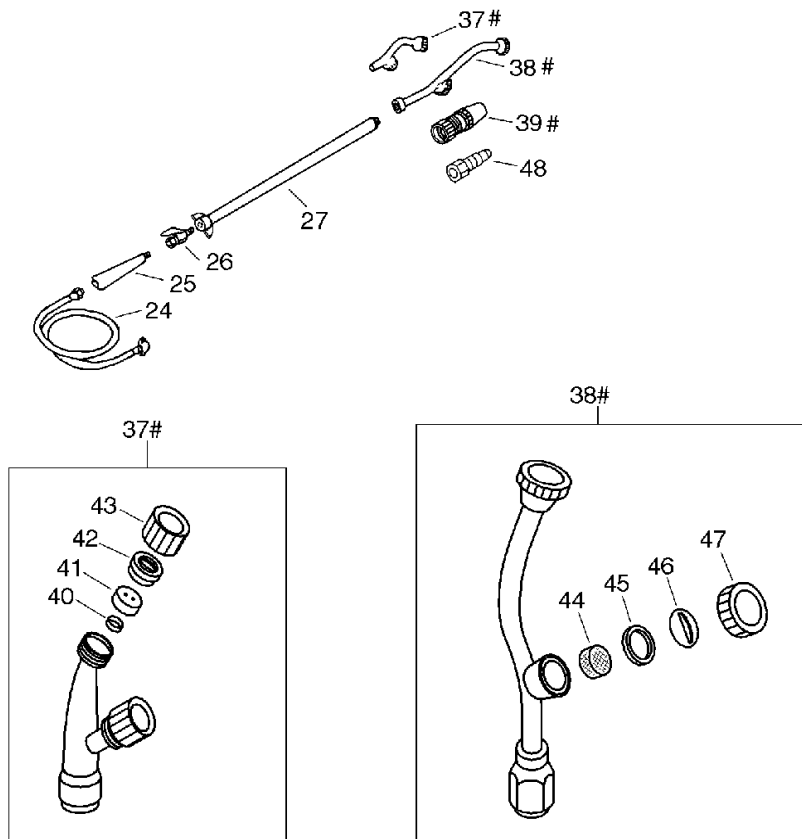
No.7



KEY	LV	PART NUMBER	Q'TY	DESCRIPTION	REMARKS	NOTE1	NOTE2
30		706170-30060	1	POLY BAG			
31		706170-31030	1	SPANNER 14*17			
32		706170-32030	1	SPANNER 10*12			
55		706170-55030	1	TOOL, DRIVER		OPTION	

8. Single Nozzle

No.8



**Only one type of nozzle is supplied with your machine.
Other type of nozzles are available as option.**

KEY	LV	PART NUMBER	Q'TY	DESCRIPTION	REMARKS	NOTE1	NOTE2
24		706040-60762	1	SPRAY HOSE ASY		PF1/4	
25		706040-61461	1	NOZZLE GRIP		PF1/4	
26		706040-62621	1	NOZZLE VALVE		PF1/4	
27		706170-27722	1	NOZZLE PIPE		PF1/4	
37*		706170-37960	1	2NOZZLE PLASTIC D-8		PLASTIC D-8 PF1/4 OPTION	
40	+	706170-47620	2	SCREEN		BS	
41	+	706170-48970	2	PACKING		NBR	
42	+	706170-46630	2	NOZZLE		SUS 304	
43	+	706170-45720	2	CAP, NOZZLE		BS	
38*		706170-38721	1	2NOZZLE METAL		METAL K-5 PF1/4 OPTION	
44	+	706170-47620	2	SCREEN		BS	
45	+	706170-52970	2	O-RING		NBR	
46	+	706170-51631	2	NOZZLE TIP K-5		SUS 304	
47	+	706170-50720	2	CAP, NOZZLE		BS	
39*		706170-39920	1	1 NOZZLE NO.33		METAL PF1/4 OPTION	
48		224103-10610	1	NOZZLE, ADJUSTABLE		OPTION	

Index

Patrs Number	Key No.	Patrs Number	Key No.	Patrs Number	Key No.
100000-55932	1 - 7	131205-19830	6 - 4	706020-27231	5 - 27
100011-05330	1 - 8	132013-14010	5 - 72	706020-28970	5 - 28
100013-22330	1 - 10	132013-14010	6 - 5	706020-30230	5 - 30
100014-55930	1 - 12	132013-26630	6 - 37	706020-31A13	5 - 31A
100015-04630	1 - 9	132115-44330	6 - 3	706020-32010	5 - 32
100100-55930	1 - 13	145510-55932	3 - 18	706020-33710	5 - 33
100142-12330	1 - 14	145610-62630	3 - 17	706020-34770	5 - 34
100204-57031	1 - 15	145621-56530	3 - 13	706020-35911	5 - 35
100212-28230	1 - 21	150117-09130	2 - 13	706020-36951	5 - 36
100213-05530	1 - 16	152626-55932	2 - 15	706020-37620	5 - 37
100242-55930	1 - 19	152801-56530	2 - 11	706020-38720	5 - 38
101010-55930	1 - 6	156112-28230	2 - 14	706020-39720	5 - 39
101011-61230	1 - 4	156112-40630	2 - 14	706020-40771	5 - 40
124111-05810	4 - 27	159010-19630	2 - 18	706020-41720	5 - 41
124113-13410	4 - 2	159011-03432	2 - 17	706020-42040	5 - 42
124114-05530	4 - 3	159012-03433	2 - 16	706020-43421	5 - 43
124115-05530	4 - 4	162010-55430	2 - 19	706020-45022	5 - 44
124116-05530	4 - 6	175009-55930	2 - 5	706020-46780	5 - 45
124122-15310	4 - 11	175009-55931	2 - 5	706020-47412	5 - 46
124123-13410	4 - 12	175046-56030	2 - 2	706020-48970	5 - 47
124124-13410	4 - 13	175049-56030	2 - 3	706020-49821	5 - 48
124129-13410	4 - 9	177202-12220	2 - 20	706020-49A20	5 - 48A
124149-13410	4 - 10	177214-02830	2 - 41	706020-50000	5 - 49
124158-13411	4 - 26	177218-44330	2 - 23	706020-52950	5 - 51
124160-11120	4 - 8	177227-42030	2 - 28	706020-55621	5 - 56
124162-13410	4 - 29	177234-12220	2 - 22	706020-56411	5 - 57
124172-13410	4 - 30	178123-14010	6 - 28	706020-60A22	5 - 71A
124174-13410	4 - 25	224103-10610	8 - 48	706020-61760	5 - 58
124182-13410	4 - 15	250210-11610	5 - 52	706020-62012	5 - 59
124200-13220	3 - 6	250211-11610	5 - 53	706020-64620	5 - 61
124200-13220	4 -	253913-10910	7 - 6	706020-65621	5 - 62
124317-49930	4 - 5	300111-14010	7 - 18	706020-66011	5 - 63
124318-57030	4 - 7	305117-03360	2 - 52	706020-67820	5 - 64
124342-12710	4 - 23	437210-15130	6 - 1	706020-68010	5 - 65
124355-50130	4 - 16	706020-03742	5 - 3	706020-70620	5 - 67
124361-12710	4 - 17	706020-04970	5 - 4	706020-71920	5 - 68
124362-12710	4 - 19	706020-06920	5 - 6	706020-72920	5 - 69
124363-12710	4 - 20	706020-08A43	5 - 8A	706020-73091	5 - 70
124364-12710	4 - 18	706020-09970	5 - 9	706040-01A61	7 - 1A
124365-13410	4 - 21	706020-10700	5 - 10	706040-02760	7 - 2
124367-54230	4 - 31	706020-12241	5 - 12	706040-03770	7 - 3
124380-12710	4 - 22	706020-13250	5 - 13	706040-05091	7 - 15
130010-55930	3 - 1	706020-16970	5 - 16	706040-06661	7 - 4
130010-56330	3 - 4	706020-17920	5 - 17	706040-20850	7 - 22
130017-56431	3 - 2	706020-18220	5 - 18	706040-31761	6 - 8
130300-13411	3 - 8	706020-19230	5 - 19	706040-41870	6 - 24
130307-13410	3 - 9	706020-20030	5 - 20	706040-47000	6 - 31
130308-13410	3 - 11	706020-22231	5 - 22	706040-60762	8 - 24
130310-13410	3 - 10	706020-25950	5 - 25	706040-61461	8 - 25

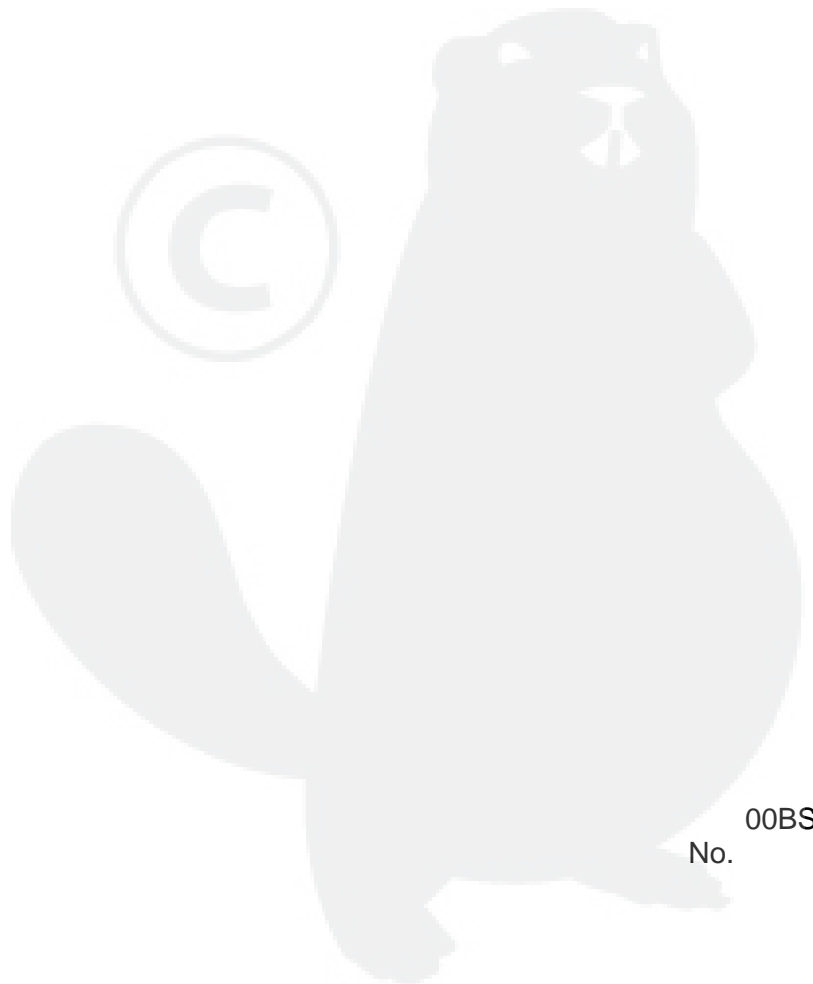
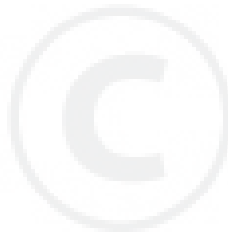
Index

Patrs Number	Key No.	Patrs Number	Key No.	Patrs Number	Key No.
706040-62621	8 - 26	706170-39920	8 - 39*	900702-00028	1 - 18
706130-05230	3 - 5	706170-45720	8 - 43	900720-00007	5 - 66
706150-01951	5 - 1	706170-46630	8 - 42	900720-00016	5 - 85
706150-01953	5 - 1	706170-47620	8 - 40	900720-01250	5 - 84
706150-01954	5 - 1	706170-47620	8 - 44	900722-00100	7 - 7
706150-02781	5 - 2	706170-48970	8 - 41	900722-30112	5 - 7
706150-50520	5 - 50	706170-50720	8 - 47	900800-00609	5 - 26
706150-54931	5 - 54	706170-51631	8 - 46	900800-06001	5 - 5
706150-55770	5 - 55	706170-52970	8 - 45	900800-36001	1 - 17
706150-73760	5 - 73	706170-55030	7 - 55	900810-06201	5 - 21
706150-74950	5 - 74	706S70-09091	7 - 9	91128-04022	2 - 12
706150-86060	5 - 86	890118-12710	7 - 8	91318-04014	6 - 51
706160-02061	6 - 2	890160-06361	2 - 50	92102-04000	6 - 52
706160-06062	6 - 6	895410-10630	7 - 29	A051-000520	2 - 26
706160-07560	6 - 7	900104-06016	6 - 13	A051-000521	2 - 26
706160-09771	6 - 9	900105-05055	3 - 15	A160-000030	1 - 2
706160-09A70	6 - 8A	900106-05008	3 - 14	A503-000010	2 - 29
706160-10460	6 - 10	900162-04014	2 - 44	A504-000001	2 - 31
706160-14950	6 - 14	900162-04022	2 - 12	A506-000010	2 - 35
706160-15430	6 - 15	900162-05018	5 - 11	A509-000030	2 - 36
706160-16770	6 - 16	900162-05022	1 - 5	A510-000010	6 - 55
706160-17870	6 - 17	900162-05025	3 - 3	A510-000030	6 - 54
706160-18450	6 - 18	900162-05025	5 - 14	A511-000020	6 - 50
706160-21450	6 - 21	900216-05012	2 - 42	A514-000010	2 - 37
706160-23450	6 - 23	900216-05014	7 - 21	A520-000002	2 - 40
706160-25450	6 - 25	900238-05016	3 - 12	C405-000060	6 - 53
706160-27050	6 - 27	900241-03010	4 - 14	G231-000021	3 - 19
706160-29260	6 - 29	900241-03014	4 - 24	P021-004030	2 - 39
706160-32000	6 - 32	900241-05016	4 - 1	V152-000990	2 - 46
706160-33760	6 - 33	900242-04012	5 - 15	V253-000060	2 - 42
706160-36870	6 - 36	900242-05012	6 - 20	V304-000010	2 - 7
706170-05560	7 - 5	900242-05014	1 - 1	V306-000020	2 - 4
706170-10910	6 - 38	900242-05020	6 - 30	V355-000080	2 - 32
706170-10910	7 - 10	900242-05025	1 - 20	V376-000160	2 - 43
706170-11850	6 - 39	900242-05025	5 - 82	V420-000630	6 - 56
706170-11850	7 - 11	900242-05050	3 - 7	V450-000130	2 - 38
706170-12091	7 - 12	900242-06015	6 - 12	V451-000040	2 - 6
706170-13410	7 - 13	900253-05020	2 - 25	V553-000020	1 - 11
706170-16A62	7 - 16A	900500-00005	6 - 26	V641-000040	2 - 33
706170-17960	7 - 17	900502-00008	2 - 8	X502-000032	2 - 47
706170-19061	7 - 19	900518-00005	6 - 19	X505-000620	2 - 49
706170-20080	7 - 20	900518-00006	6 - 22		
706170-20081	7 - 20	900518-00006	7 - 14		
706170-27722	8 - 27	900560-00005	7 - 23		
706170-30060	7 - 30	900600-00005	3 - 16		
706170-31030	7 - 31	900600-00008	2 - 10		
706170-32030	7 - 32	900600-00008	5 - 23		
706170-37960	8 - 37*	900605-00008	2 - 9		
706170-38721	8 - 38*	900605-00008	5 - 24		

YAMABIKO CORPORATION

7-2 SUEHIROCHO 1-CHOME, OHME, TOKYO 198-8760, JAPAN
PHONE: 81-428-32-6118. FAX: 81-428-32-6145.

ECHO®



00BS
No.