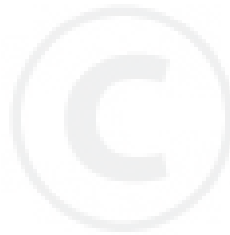




PARTS CATALOG

POWER SPRAYER

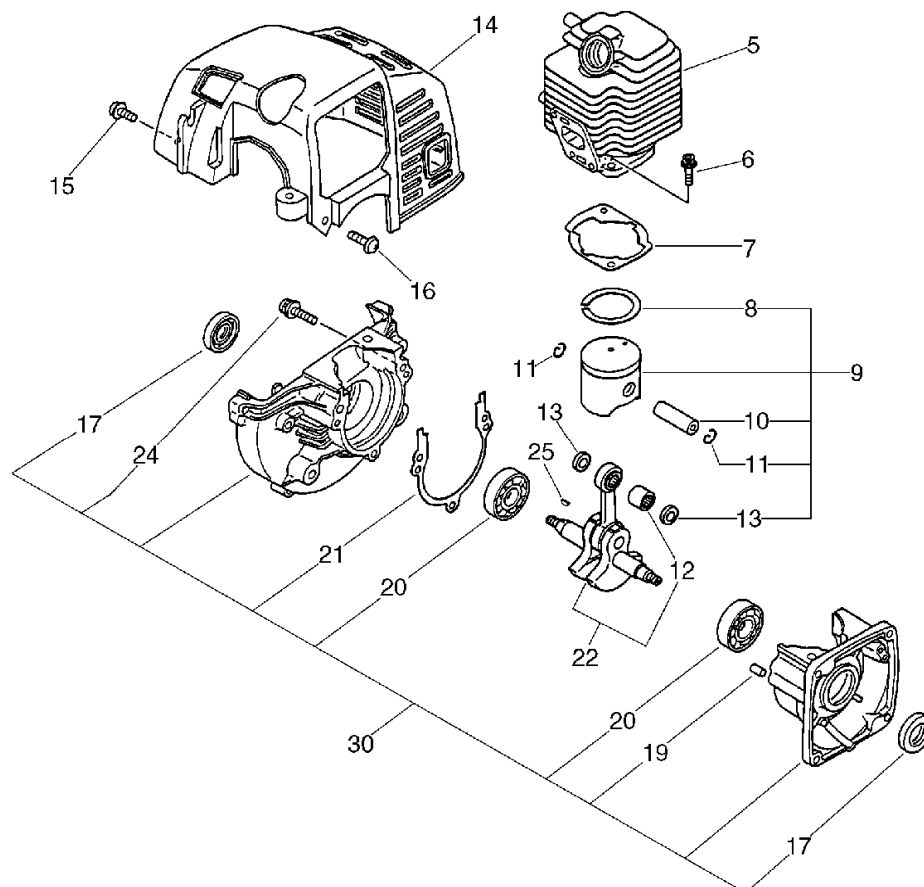
SHR045



SHR045

1. Cylinder, Crankcase, Piston

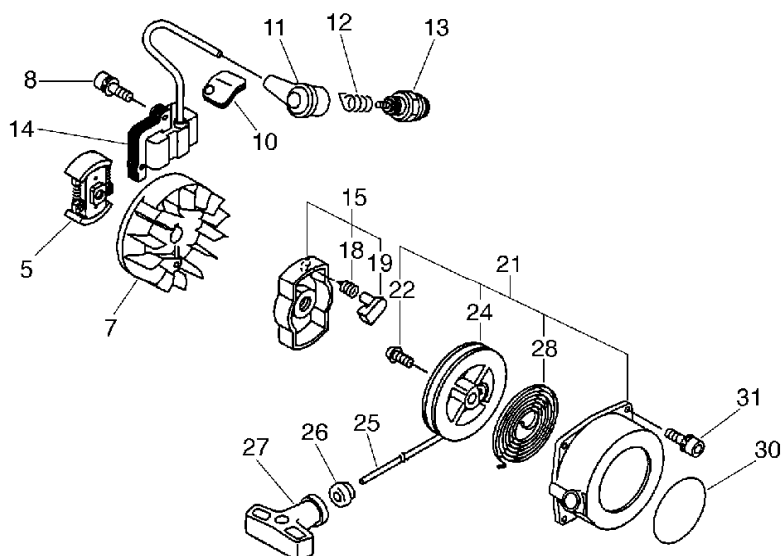
No.1



KEY	LV	PART NUMBER	Q'TY	DESCRIPTION	REMARKS	NOTE1	NOTE2
5		101011-47630	1	CYLINDER		Sus. by 101011-48730	
5		101011-48730	1	CYLINDER			
6		900162-05022	2	BOLT, H.S. 5*22	5*22 W,SW		
7		101010-44332	1	GASKET, CYL. BASE			
9		100000-44331	1	PISTON KIT			
8	+	100011-05330	1	RING, PISTON			
10	+	100013-11520	1	PIN, PISTON			
11	+	100015-04630	2	CIRCLIP, PISTON PIN			
13	+	100014-11520	2	SPACER, PISTON PIN			
22		100100-52131	1	CRANKSHAFT ASSY			
12	+	100012-51230	1	BEARING, NEEDLE	8*12*10		
30		100204-51030	1	CRANKCASE KIT			
17	+	100212-42030	2	OILSEAL	ISCD12*22*4.5		
19	+	100215-03930	2	PIN, DOWEL			
20	+	900810-36201	2	BEARING, BALL 6201	6201/C3	Sus. by 94035-36201	
20	+	94035-36201	2	BEARING BALL	6201X3JR2C3		
21	+	100242-42030	1	GASKET, CRANKCASE			
24	+	900162-05028	3	BOLT, H.S. 5*28	5*28 W,SW		
14		101514-11611	1	COVER, CYLINDER			
15		900252-04014	2	SCREW 4*14	4*14		
16		900242-04016	2	SCREW 4*16	4*16		
25		100142-12330	1	KEY, WOODRUFF			

2. Starter, Magneto, Clutch

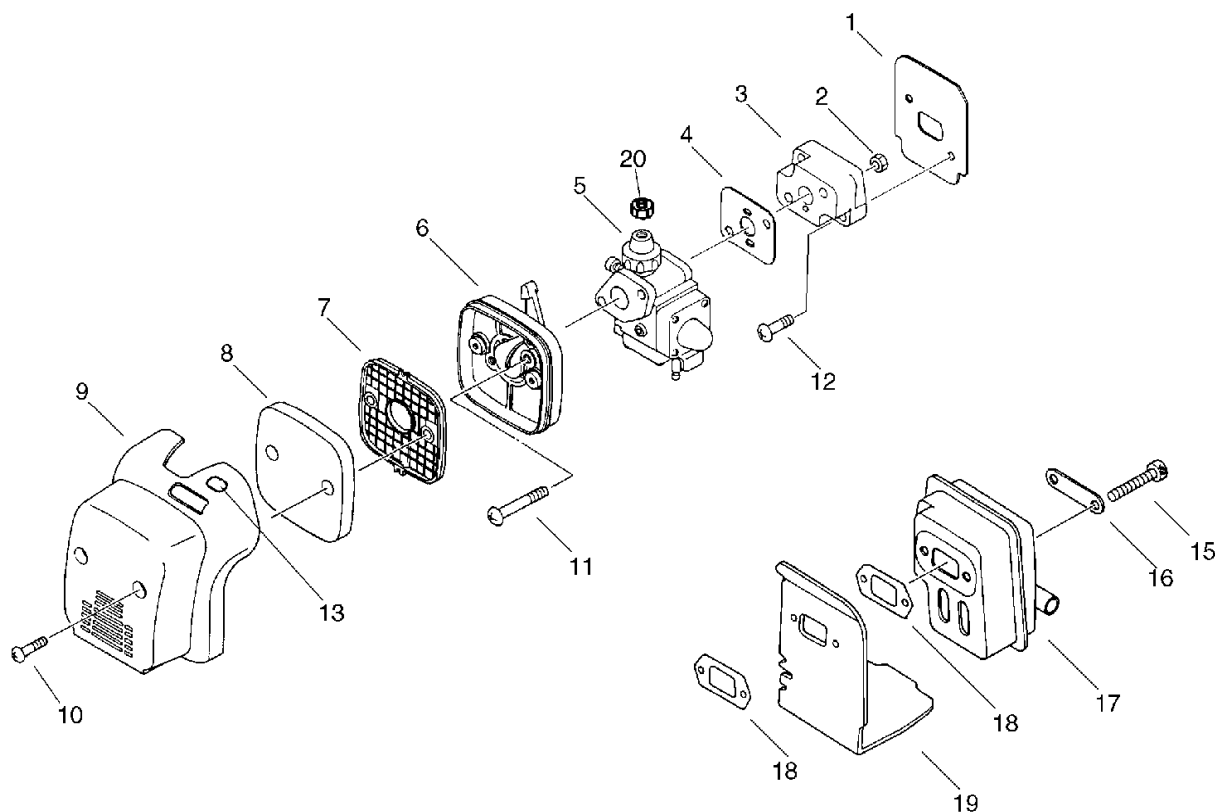
No.2



KEY	LV	PART NUMBER	Q'TY	DESCRIPTION	REMARKS	NOTE1	NOTE2
5		175000-11612	1	CLUTCH ASY			
7		156801-12111	1	FLYWHEEL		Sus.by 156801-44731	
7		156801-44731	1	FLYWHEEL			
8		900242-04022	2	SCREW 4*22	4*22		
10		150112-42030	1	BUSHING			
11		159012-03433	1	CAP, SPARK PLUG			
12		159011-03432	1	COIL, SPARK PLUG			
13		159010-30330	1	PLUG, SPARK (BPM-6Y)	BPM-6Y		
14		156601-11911	1	COIL, IGNITION		Sus.by P021-000610	
14		P021-000610	1	COIL,IGNITION W/LEAD			
15		177202-44330	1	PAWL ASSY, STARTER			
18	+	177234-42030	1	SPRING, RETURN			
19	+	177218-44330	1	PAWL, STARTER	BLACK		
21		177200-42033	1	STARTER ASSY			
22	+	177236-44330	1	SCREW			
24	+	177215-44430	1	DRUM, STARTER			
25	+	177226-10120	1	ROPE, STARTER	3.0*1000		
26	+	177227-42030	1	GUIDE, ROPE			
27	+	177228-06530	1	GRIP, STARTER			
28	+	177220-42030	1	SPRING, REWIND			
30		890053-56230	1	LABEL, KIORITZ 47MM	47MM		
31		900242-04016	2	SCREW 4*16	4*16		

3. Air Cleaner, Muffler

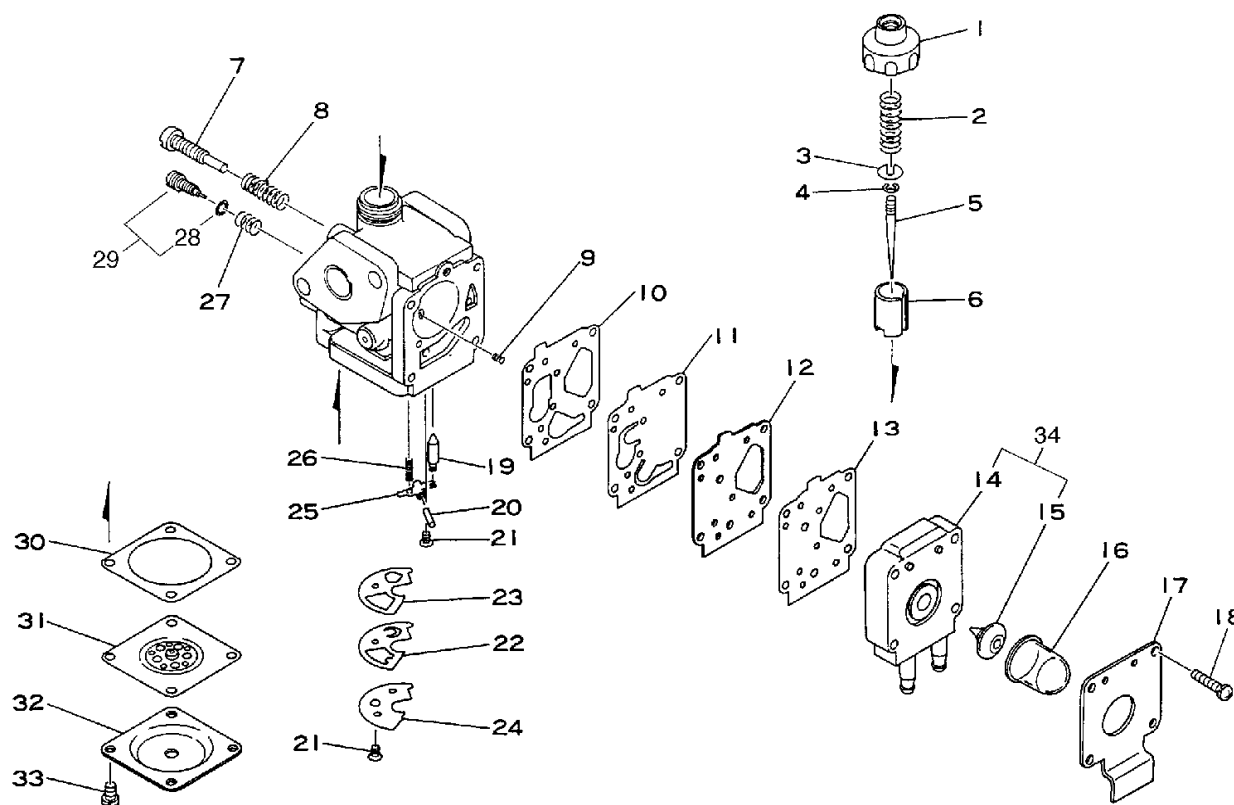
No.3



KEY	LV	PART NUMBER	Q'TY	DESCRIPTION	REMARKS	NOTE1	NOTE2
1		130016-12710	1	GASKET, INTAKE			
2		900500-00005	2	NUT 5	5		
3		130017-12711	1	INSULATOR			
4		130010-52830	1	GASKET, INTAKE			
5		124200-12710	1	CARBURETOR ASSY	DPR10-1B		
6		130307-52830	1	CASE, AIR CLEANER			
7		130311-52830	1	GRID, AIR CLEANER			
8		130310-52830	1	FILTER, AIR			
9		130308-12710	1	COVER, AIR CLEANER			
10		900242-04020	2	SCREW 4*20	4*20		
11		900242-05060	2	SCREW 5*60	5*60		
12		900242-05020	2	SCREW 5*20	5*20		
13		890026-00310	1	LABEL, CHOKE		Sus. by 890026-00311	
13		890026-00311	1	LABEL, CHOK			
15		900105-05055	2	BOLT, H.S. 5*55	5*55		
16		145642-04930	1	WASHER			
17		145610-11610	1	MUFFLER			
18		145510-42031	2	GASKET, MUFFLER		Sus. by V104-000160	
18		V104-000160	2	GASKET, EXHAUST			
19		145871-44331	1	COVER, MUFFLER		Sus. by 145631-42030	
19		145631-42030	1	COVER, MUFFLER			
20		900503-00006	1	NUT (3N 6*0.75)	3N 6*0.75		

4. Carburetor

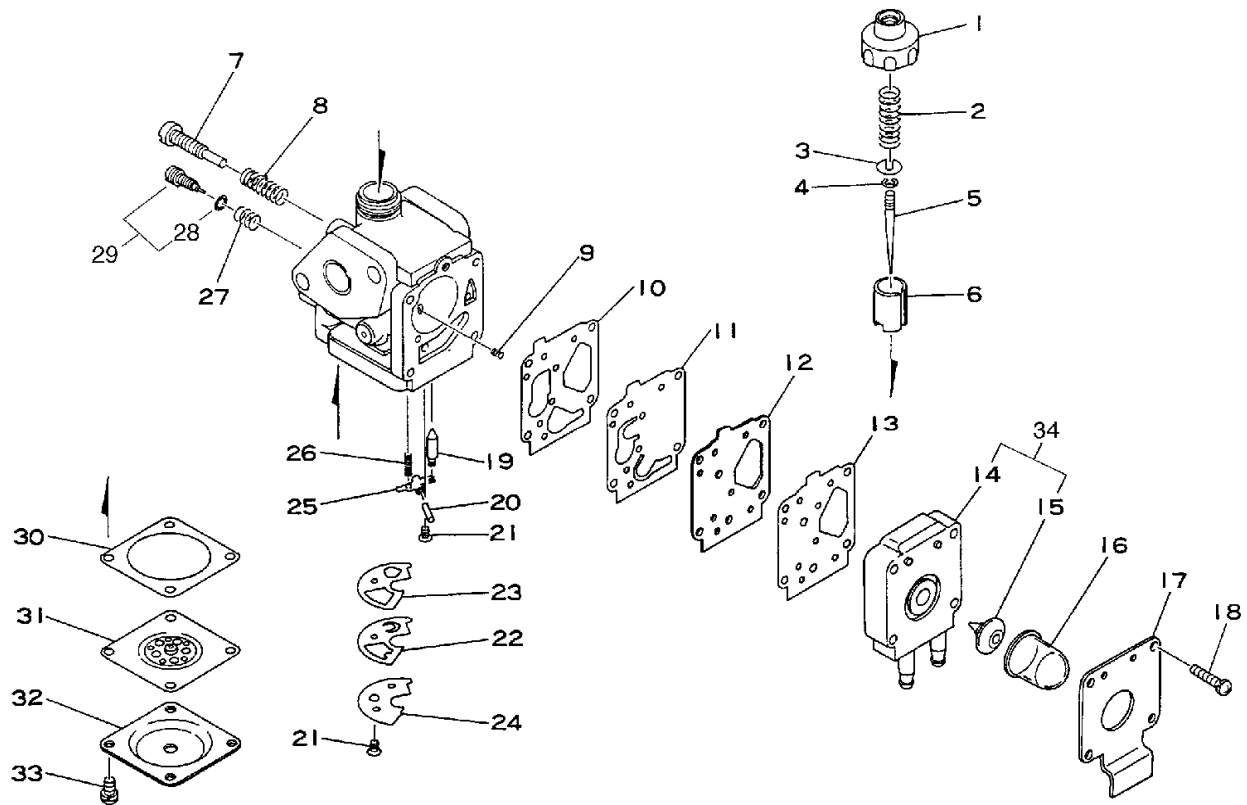
No.4



KEY	LV	PART NUMBER	Q'TY	DESCRIPTION	REMARKS	NOTE1	NOTE2
		124200-12710	1	CARBURETOR ASSY	DPR10-1B		
1	+	124113-05530	1	COVER, TOP			
2	+	124114-05530	1	SPRING, THROTTLE			
3	+	124115-05530	1	SEAT, SPRING			
4	+	124116-05530	1	E-RING			
5	+	124317-22831	1	NEEDLE, JET			
6	+	124318-12710	1	VALVE, THROTTLE			
7	+	124159-05530	1	SCREW, IDLE ADJUST			
8	+	124160-11120	1	SPRING, IDLE ADJUST			
9	+	124355-50130	1	SPRING, ADJUSTMENT			
10	+	124361-12710	1	GASKET			
11	+	124364-12710	1	DIAPHRAGM, FUEL PUMP	NBR		
12	+	124362-12710	1	PLATE, PUMP			
13	+	124363-12710	1	GASKET, FUEL PUMP			
34	+	124379-12710	1	COVER, PUMP			
14	+	124365-12710	1	COVER, PUMP			
15	+	124374-12710	1	VALVE, COMBINATION			
16	+	124380-12710	1	PUMP, PRIMING			
17	+	124342-12710	1	PLATE, PUMP			
18	+	900241-03016	4	SCREW 3*16 (W/SW)	3*16		
19	+	124320-52830	1	VALVE, NEEDLE			
20	+	124332-21330	1	PIN, LEVER			
21	+	900204-03008	2	SCREW 3*8	-SF3*8	Sus.by 900212-03008	
21	+	900212-03008	2	SCREW 3*8	+SF3*8		
22	+	124374-53630	1	VALVE, CHECK			

4. Carburetor

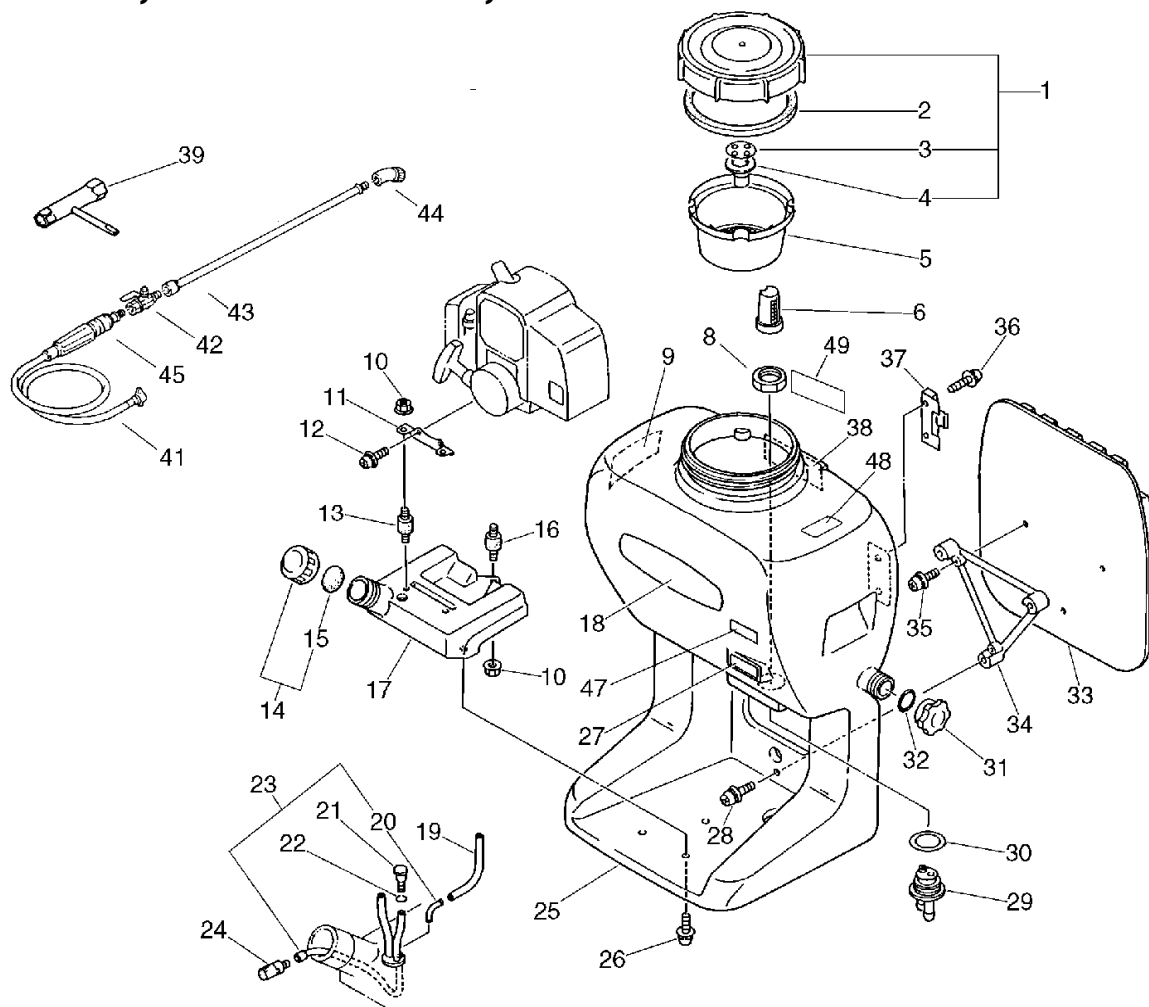
No.4



KEY	LV	PART NUMBER	Q'TY	DESCRIPTION	REMARKS	NOTE1	NOTE2
23	+	124375-12710	1	GASKET			
24	+	124345-12710	1	PLATE			
25	+	124321-21330	1	LEVER, INLET CONTROL			
26	+	124331-12710	1	SPRING, TENSION			
27	+	124355-21330	1	SPRING, ADJUSTMENT			
29	+	124354-12710	1	SCREW, MAIN ADJUST			
28	+	124356-21330	1	O-RING			
30	+	124358-21330	1	GASKET, DIAPHRAGM			
31	+	124341-49930	1	DIAPHRAGM			
32	+	124324-21330	1	COVER, DIAPHRAGM			
33	+	900240-03008	4	SCREW 3*8 (W/W,SW)	3*8		

5. Fuel Tank, Chemical Tank, Nozzle

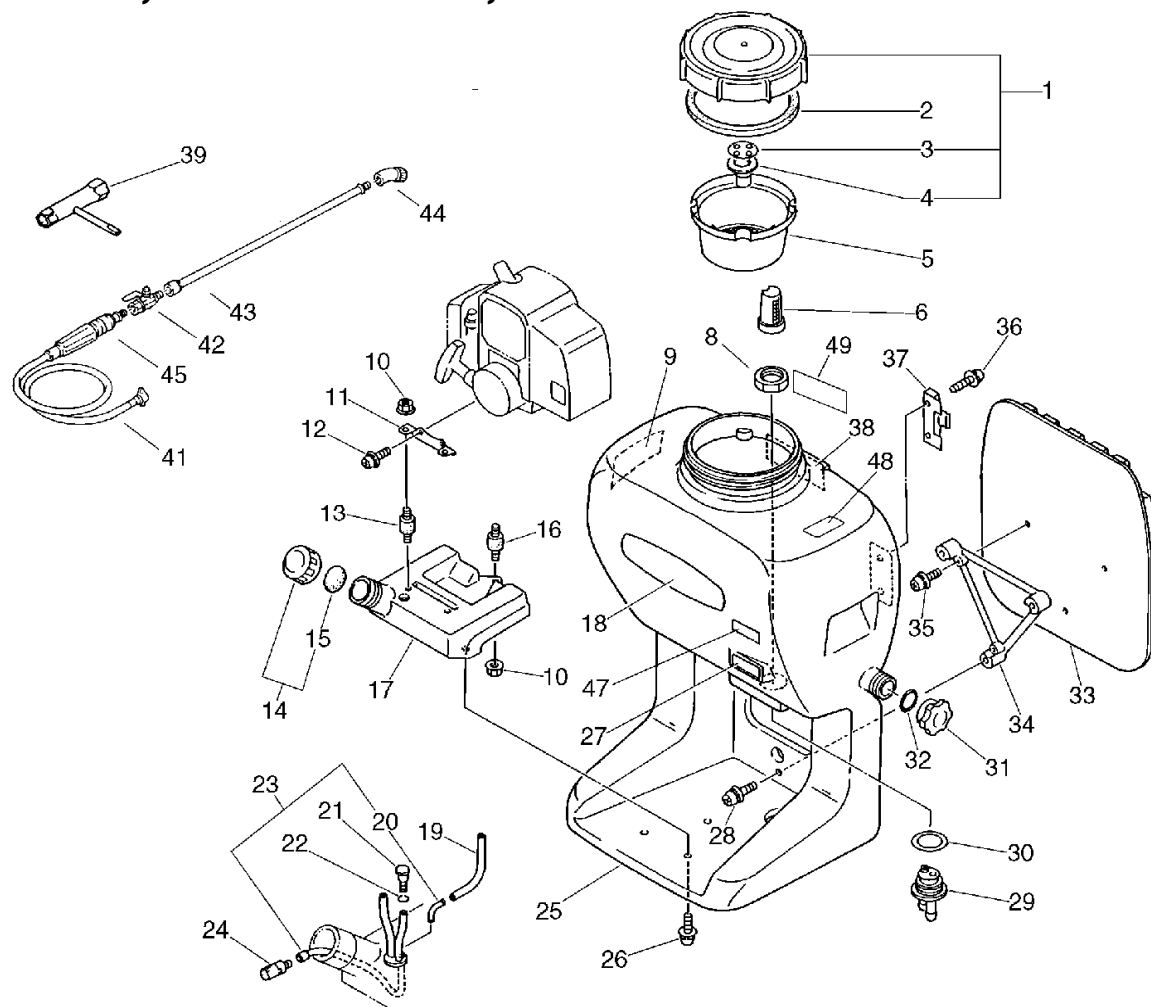
No.5



KEY	LV	PART NUMBER	Q'TY	DESCRIPTION	REMARKS	NOTE1	NOTE2
1		250001-11610	1	CAP, CHEMICAL TANK			
3	+	250026-11310	1	VALVE, AIR			
4	+	250027-11310	1	PACKING			
2		250011-01110	1	GASKET, CHMCL. TANK			
5		254210-12210	1	FILTER, CHMCL. TANK			
6		356111-10510	1	SCREEN			
8		357015-12710	1	NUT, HOSE			
9		890096-10510	1	LABEL, CAUTION			
10		900515-00006	3	NUT, FLANGE 6	6		
11		104925-11610	1	BRACKET, ENGINE			
12		900242-05010	2	SCREW 5*10	5*10		
13		104910-11410	2	CUSHION			
14		131004-55830	1	CAP ASSY, FUEL TANK			
15	+	131016-55830	1	GASKET, FUEL CAP			
16		104910-11610	1	CUSHION 6			
17		131005-12710	1	TANK, FUEL		Sus.by 131005-12711	
17		131005-12711	1	TANK, FUEL			
18		890012-12710	1	LABEL, KIORITZ	52*195		
19		132010-40830	1	PIPE 3*6*75	3*6*75 YL		
21		131300-56430	1	VALVE, CHECK			
22		130111-00530	1	CLIP	5.5		
23		132002-11910	1	PIPE, FUEL			
20	+	132021-40630	1	CONNECTOR, PIPE			
24		131205-14930	1	STRAINER, FUEL			
25		253006-12710	1	TANK, CHEMICAL			

5. Fuel Tank, Chemical Tank, Nozzle

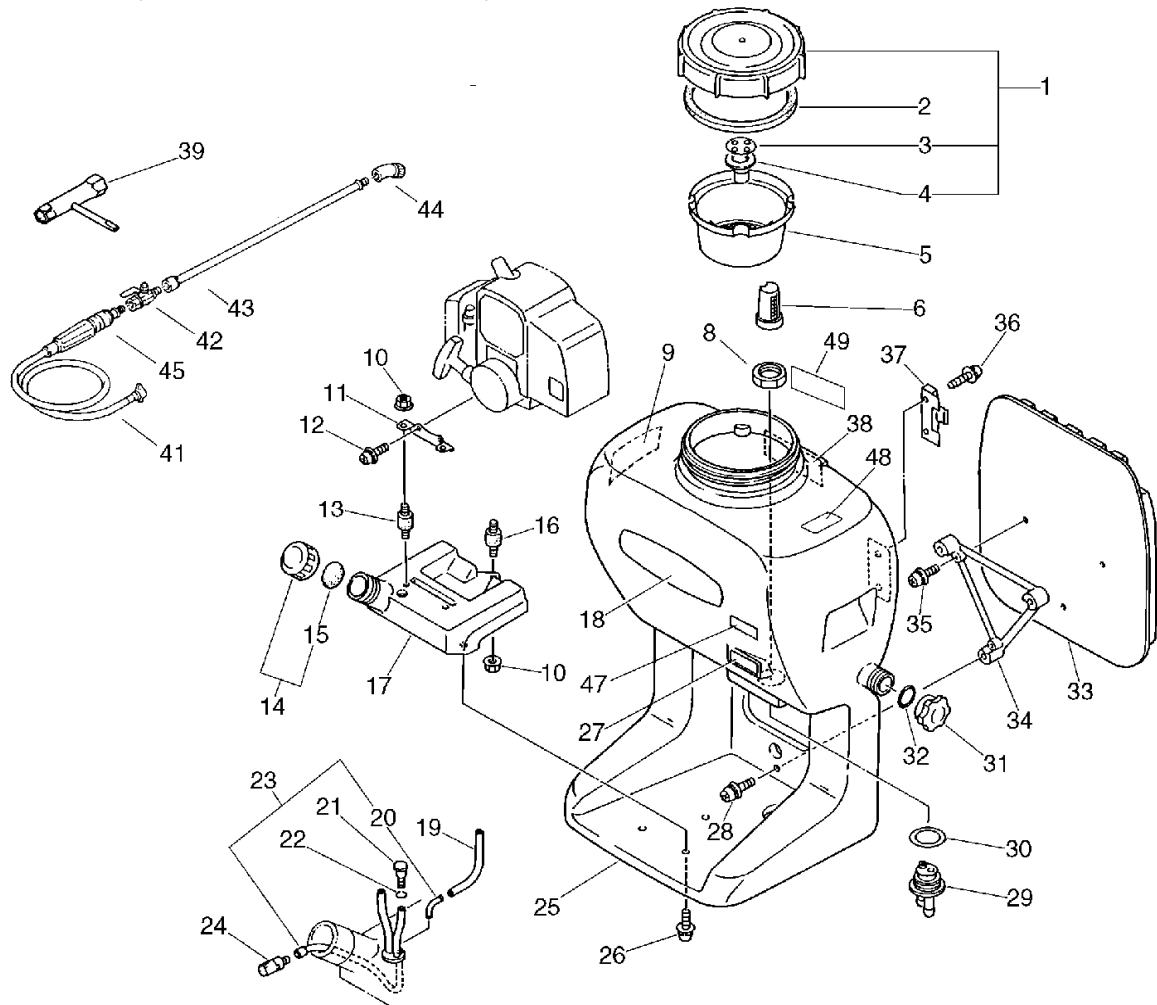
No.5



KEY	LV	PART NUMBER	Q'TY	DESCRIPTION	REMARKS	NOTE1	NOTE2
26		900242-06014	3	SCREW 6*14	6*14		
27		890034-12710	1	DECAL, MODEL			
28		900242-05016	3	SCREW 5*16	5*16	Sus.by 900243-05016	
28		900243-05016	3	SCREW 5*16	5*16		
29		357010-12710	1	NIPPLE, HOSE			
30		357014-12711	1	GASKET, CIRCULAR			
31		250211-11410	1	NUT, HOSE			
32		900720-30028	1	O-RING P-28 (F)	P-28		
33		300105-12710	1	SEAT, BACK PACK			
34		300333-12710	1	PIECE, BACK PACK			
35		900242-05016	3	SCREW 5*16	5*16		
36		900242-06020	2	SCREW 6*20	6*20		
37		224915-12711	1	HOLDER, NOZZLE			
38		890080-13610	1	LABEL, CAUTION			
39		895410-03930	1	WRENCH, W/S. DRIVER			
41		384002-12710	1	HOSE 7.5*1.2M BL	7.5*1.2M BL		
42		224400-11710	1	VALVE, NOZZLE	PF1/4	Sus.by E245-000050	
42		E245-000050	1	COCK, LIQUID	2-PF1/4 M*F		
43		224102-11611	1	PIPE, NOZZLE	PF1/4*645L	Sus.by E270-000030	
43		E270-000030	1	PIPE, NOZZLE	AG2003-020		
44		224101-11610	1	NOZZLE			
44		224101-12210	1	NOZZLE, MIST		OPTION	
45		224110-12710	1	GRIP, NOZZLE			

5. Fuel Tank, Chemical Tank, Nozzle

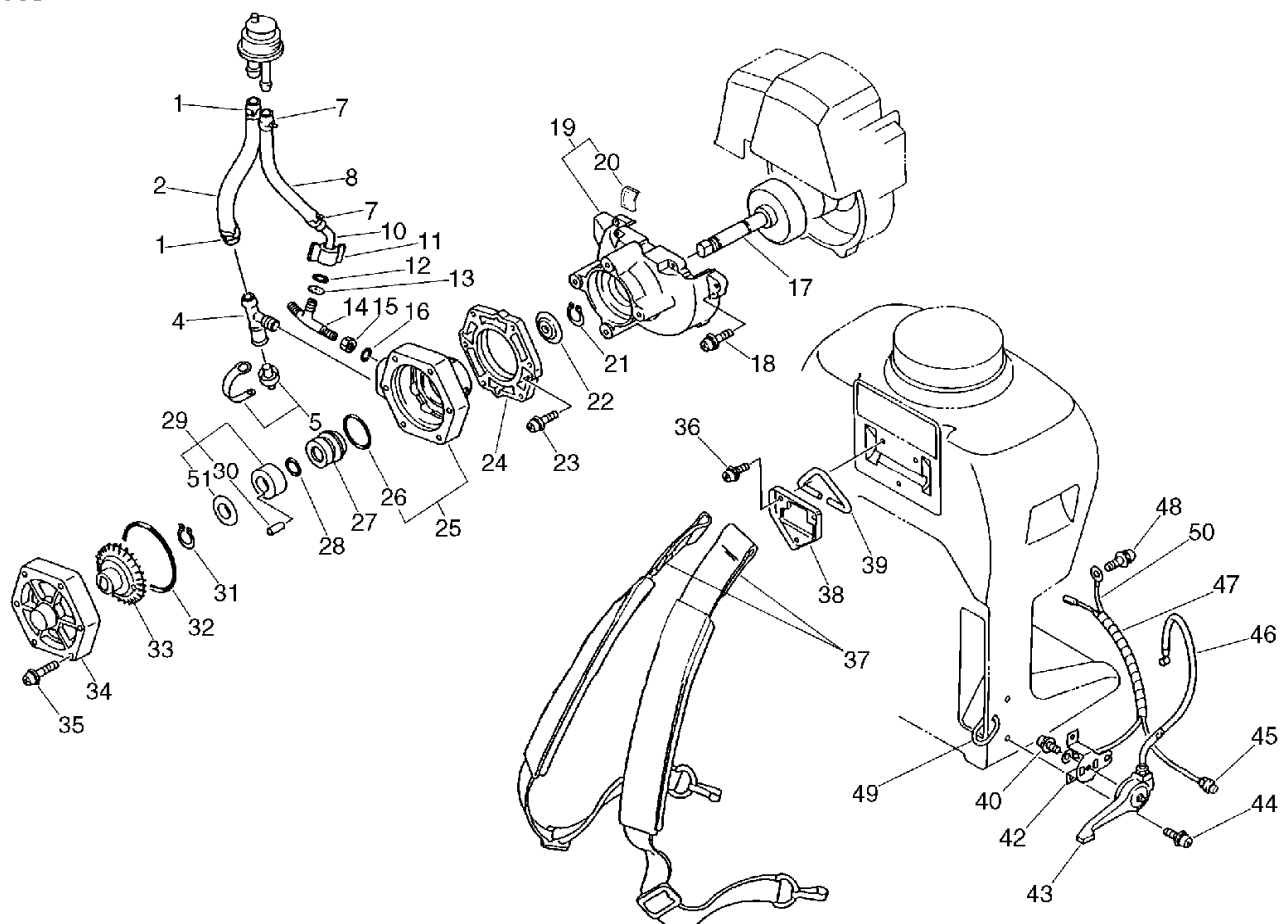
No.5



KEY	LV	PART NUMBER	Q'TY	DESCRIPTION	REMARKS	NOTE1	NOTE2
47		890098-06210	1	LABEL, CAUTION		Sus.by 890098-06211	
47		890098-06211	1	LABEL, CAUTION			
48		890016-06210	1	LABEL, CAUTION		Sus.by 890016-06213	
48		890016-06211	1	LABEL, CAUTION		Sus.by 890016-06213	
48		890016-06212	1	LABEL, CAUTION		Sus.by 890016-06213	
48		890016-06213	1	LABEL, CAUTION			
49		890016-07010	1	LABEL, CAUTION		Sus.by 890016-07011	
49		890016-07011	1	LABEL, CAUTION			

6. Harness, Pump

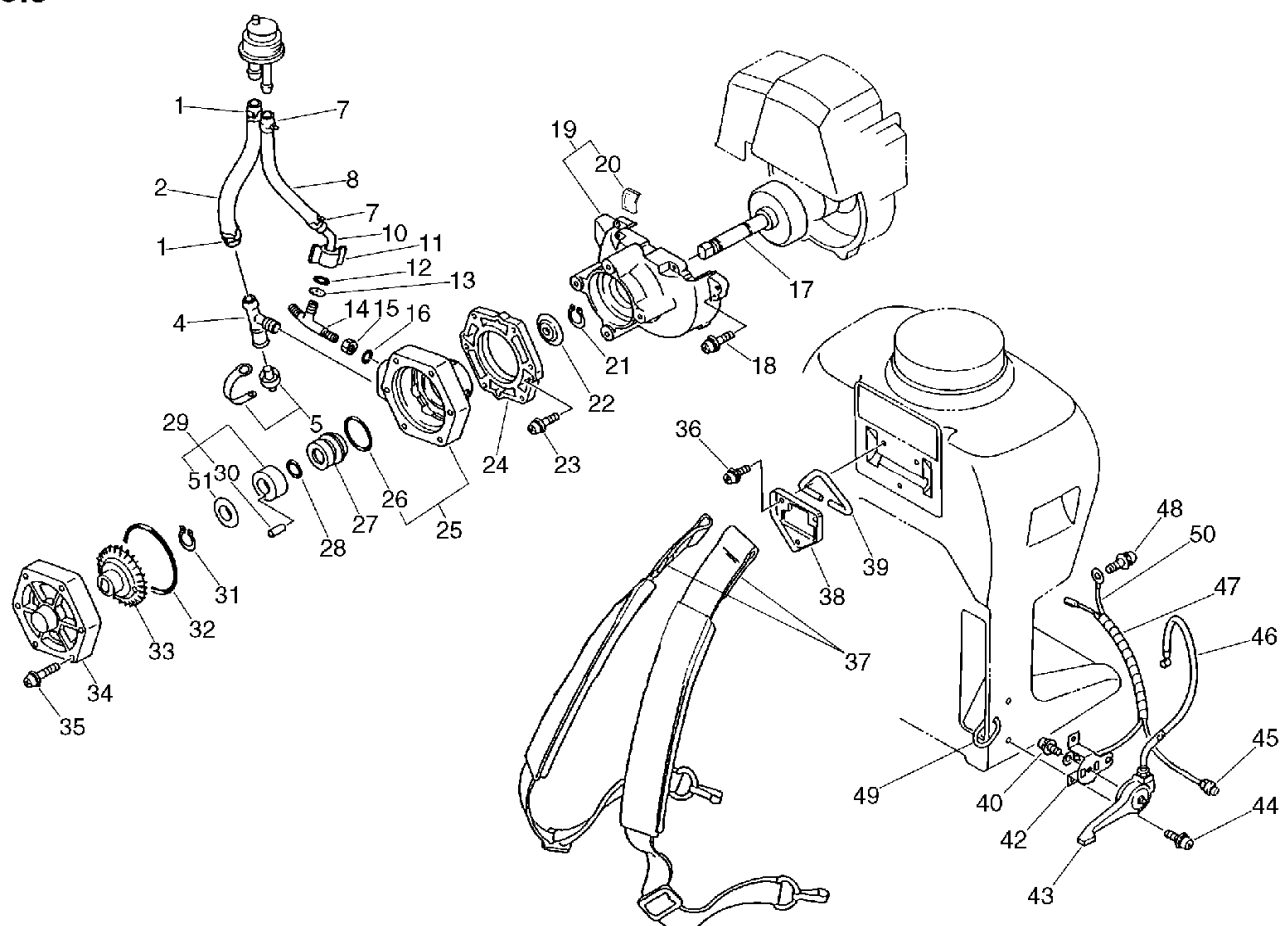
No.6



KEY	LV	PART NUMBER	Q'TY	DESCRIPTION	REMARKS	NOTE1	NOTE2
1		357023-01110	2	CLIP 13		Sus.by V495-000310	
1		V495-000310	2	BAND			
2		382012-12710	1	PIPE	10*15*130		
4		382015-11610	1	NIPPLE			
5		382004-11710	1	PLUG, DRAIN			
7		386020-10511	2	CLIP (10MM)			
8		386010-12710	1	PIPE			
10		386012-10511	1	NIPPLE			
11		386015-10510	1	NUT, WING			
12		386019-10510	1	GASKET, BYPASS NOZZLE			
13		386018-10510	1	WASHER, CIRCULAR			
14		384013-11610	1	NIPPLE, OUTLET PUMP			
15		384029-10510	1	NUT	1/4		
16		900722-00100	1	O-RING P-10A	P-10A(NBR)		
17		175005-11810	1	DRUM, CLUTCH			
18		900242-04016	4	SCREW 4*16	4*16		
19		101507-11612	1	COVER, FAN			
20	+	101588-11610	1	LID, FAN COVER BL			
21		900701-00012	1	CIRCLIP 12	CS-12		
22		405114-10510	1	PLATE			
23		900245-06016	4	SCREW 6*16	6*16		
24		100209-11910	1	BRACKET, PUMP			
25		405210-10512	1	CASING, PUMP			
26	+	900724-00029	1	O-RING (S-29)	S-29		
27		405100-11410	1	SEAL, UNIT			

6. Harness, Pump

No.6



KEY	LV	PART NUMBER	Q'TY	DESCRIPTION	REMARKS	NOTE1	NOTE2
28		900724-30010	1	O-RING	S-10 4D		
29		405103-11411	1	COUPLING, SEAL. UNIT			
30	+	405113-10510	1	PIN			
51	+	400111-11410	1	WASHER	12.2*20*0.5		
31		900704-00012	1	CIRCLIP 12	CS-12 SUS		
32		900724-30067	1	O-RING	S-67		
33		405110-10512	1	IMPELLER			
34		405211-10511	1	LID, PUMP			
35		900242-05040	6	SCREW 5*40	5*40		
36		900242-06010	3	SCREW 6*10	6*10		
37		300300-11611	2	HARNESS, BACKPACK			
38		300614-11610	1	BRACKET, HANGER			
39		300610-11610	1	HANGER			
40		900242-05010	1	SCREW 5*10	5*10		
42		178123-12710	1	BRACKET, THROTTLE			
43		178000-12710	1	LEVER, CONTROL			
44		900242-05016	2	SCREW 5*16	5*16		
45		166101-11612	1	SWITCH			
46		178001-12711	1	WIRE, THROTTLE			
47		132015-11610	1	COIL, TUBE			
48		900242-05010	1	SCREW 5*10	5*10		
49		300319-01611	2	RING, HARNESS			
50		162010-11612	1	LEAD, GROUND	260L		

Index

Patrs Number	Key No.	Patrs Number	Key No.	Patrs Number	Key No.
100000-44331	1 - 9	124365-12710	4 - 14	177236-44330	2 - 22
100011-05330	1 - 8	124374-12710	4 - 15	178000-12710	6 - 43
100012-51230	1 - 12	124374-53630	4 - 22	178001-12711	6 - 46
100013-11520	1 - 10	124375-12710	4 - 23	178123-12710	6 - 42
100014-11520	1 - 13	124379-12710	4 - 34	224101-11610	5 - 44
100015-04630	1 - 11	124380-12710	4 - 16	224101-12210	5 - 44
100100-52131	1 - 22	130010-52830	3 - 4	224102-11611	5 - 43
100142-12330	1 - 25	130016-12710	3 - 1	224110-12710	5 - 45
100204-51030	1 - 30	130017-12711	3 - 3	224400-11710	5 - 42
100209-11910	6 - 24	130111-00530	5 - 22	224915-12711	5 - 37
100212-42030	1 - 17	130307-52830	3 - 6	250001-11610	5 - 1
100215-03930	1 - 19	130308-12710	3 - 9	250011-01110	5 - 2
100242-42030	1 - 21	130310-52830	3 - 8	250026-11310	5 - 3
101010-44332	1 - 7	130311-52830	3 - 7	250027-11310	5 - 4
101011-47630	1 - 5	131004-55830	5 - 14	250211-11410	5 - 31
101011-48730	1 - 5	131005-12710	5 - 17	253006-12710	5 - 25
101507-11612	6 - 19	131005-12711	5 - 17	254210-12210	5 - 5
101514-11611	1 - 14	131016-55830	5 - 15	300105-12710	5 - 33
101588-11610	6 - 20	131205-14930	5 - 24	300300-11611	6 - 37
104910-11410	5 - 13	131300-56430	5 - 21	300319-01611	6 - 49
104910-11610	5 - 16	132002-11910	5 - 23	300333-12710	5 - 34
104925-11610	5 - 11	132010-40830	5 - 19	300610-11610	6 - 39
124113-05530	4 - 1	132015-11610	6 - 47	300614-11610	6 - 38
124114-05530	4 - 2	132021-40630	5 - 20	356111-10510	5 - 6
124115-05530	4 - 3	145510-42031	3 - 18	357010-12710	5 - 29
124116-05530	4 - 4	145610-11610	3 - 17	357014-12711	5 - 30
124159-05530	4 - 7	145631-42030	3 - 19	357015-12710	5 - 8
124160-11120	4 - 8	145642-04930	3 - 16	357023-01110	6 - 1
124200-12710	3 - 5	145871-44331	3 - 19	382004-11710	6 - 5
124200-12710	4 -	150112-42030	2 - 10	382012-12710	6 - 2
124317-22831	4 - 5	156601-11911	2 - 14	382015-11610	6 - 4
124318-12710	4 - 6	156801-12111	2 - 7	384002-12710	5 - 41
124320-52830	4 - 19	156801-44731	2 - 7	384013-11610	6 - 14
124321-21330	4 - 25	159010-30330	2 - 13	384029-10510	6 - 15
124324-21330	4 - 32	159011-03432	2 - 12	386010-12710	6 - 8
124331-12710	4 - 26	159012-03433	2 - 11	386012-10511	6 - 10
124332-21330	4 - 20	162010-11612	6 - 50	386015-10510	6 - 11
124341-49930	4 - 31	166101-11612	6 - 45	386018-10510	6 - 13
124342-12710	4 - 17	175000-11612	2 - 5	386019-10510	6 - 12
124345-12710	4 - 24	175005-11810	6 - 17	386020-10511	6 - 7
124354-12710	4 - 29	177200-42033	2 - 21	400111-11410	6 - 51
124355-21330	4 - 27	177202-44330	2 - 15	405100-11410	6 - 27
124355-50130	4 - 9	177215-44430	2 - 24	405103-11411	6 - 29
124356-21330	4 - 28	177218-44330	2 - 19	405110-10512	6 - 33
124358-21330	4 - 30	177220-42030	2 - 28	405113-10510	6 - 30
124361-12710	4 - 10	177226-10120	2 - 25	405114-10510	6 - 22
124362-12710	4 - 12	177227-42030	2 - 26	405210-10512	6 - 25
124363-12710	4 - 13	177228-06530	2 - 27	405211-10511	6 - 34
124364-12710	4 - 11	177234-42030	2 - 18	890012-12710	5 - 18

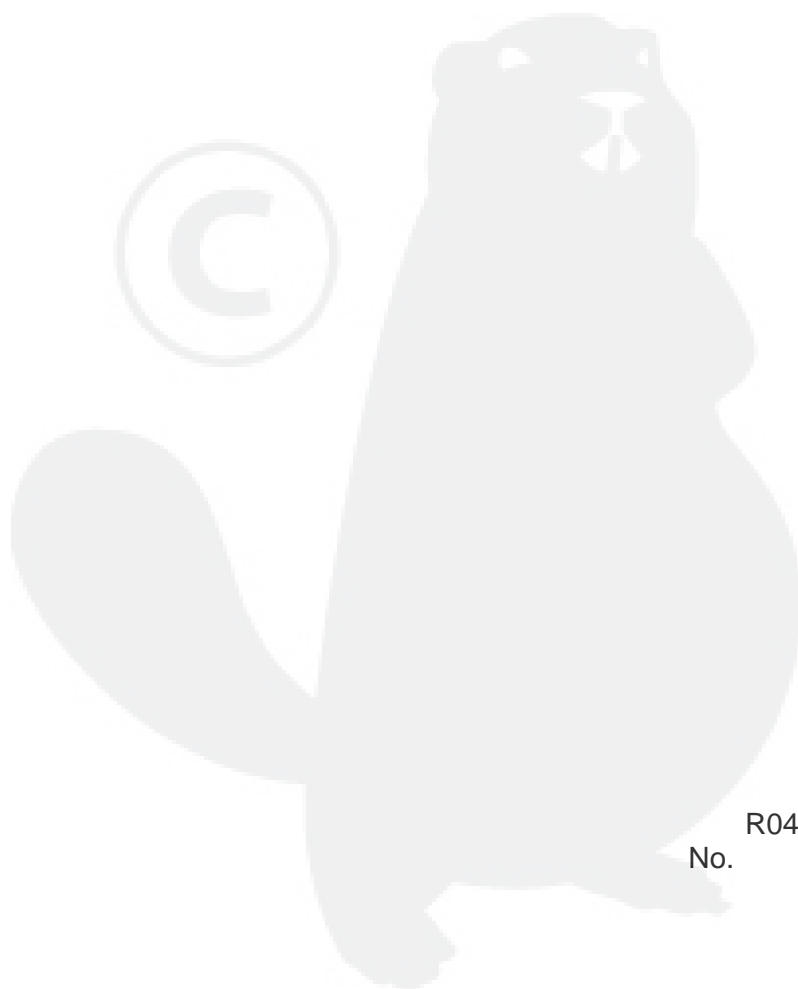
Index

Patrs Number	Key No.	Patrs Number	Key No.	Patrs Number	Key No.
890016-06210	5 - 48	900724-00029	6 - 26		
890016-06211	5 - 48	900724-30010	6 - 28		
890016-06212	5 - 48	900724-30067	6 - 32		
890016-06213	5 - 48	900810-36201	1 - 20		
890016-07010	5 - 49	94035-36201	1 - 20		
890016-07011	5 - 49	E245-000050	5 - 42		
890026-00310	3 - 13	E270-000030	5 - 43		
890026-00311	3 - 13	P021-000610	2 - 14		
890034-12710	5 - 27	V104-000160	3 - 18		
890053-56230	2 - 30	V495-000310	6 - 1		
890080-13610	5 - 38				
890096-10510	5 - 9				
890098-06210	5 - 47				
890098-06211	5 - 47				
895410-03930	5 - 39				
900105-05055	3 - 15				
900162-05022	1 - 6				
900162-05028	1 - 24				
900204-03008	4 - 21				
900212-03008	4 - 21				
900240-03008	4 - 33				
900241-03016	4 - 18				
900242-04016	1 - 16				
900242-04016	2 - 31				
900242-04016	6 - 18				
900242-04020	3 - 10				
900242-04022	2 - 8				
900242-05010	5 - 12				
900242-05010	6 - 40				
900242-05010	6 - 48				
900242-05016	5 - 28				
900242-05016	5 - 35				
900242-05016	6 - 44				
900242-05020	3 - 12				
900242-05040	6 - 35				
900242-05060	3 - 11				
900242-06010	6 - 36				
900242-06014	5 - 26				
900242-06020	5 - 36				
900243-05016	5 - 28				
900245-06016	6 - 23				
900252-04014	1 - 15				
900500-00005	3 - 2				
900503-00006	3 - 20				
900515-00006	5 - 10				
900701-00012	6 - 21				
900704-00012	6 - 31				
900720-30028	5 - 32				
900722-00100	6 - 16				

YAMABIKO CORPORATION

7-2 SUEHIROCHO 1-CHOME, OHME, TOKYO 198-8760, JAPAN
PHONE: 81-428-32-6118. FAX: 81-428-32-6145.

ECHO®



R045
No.