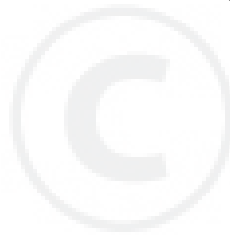




PARTS CATALOG

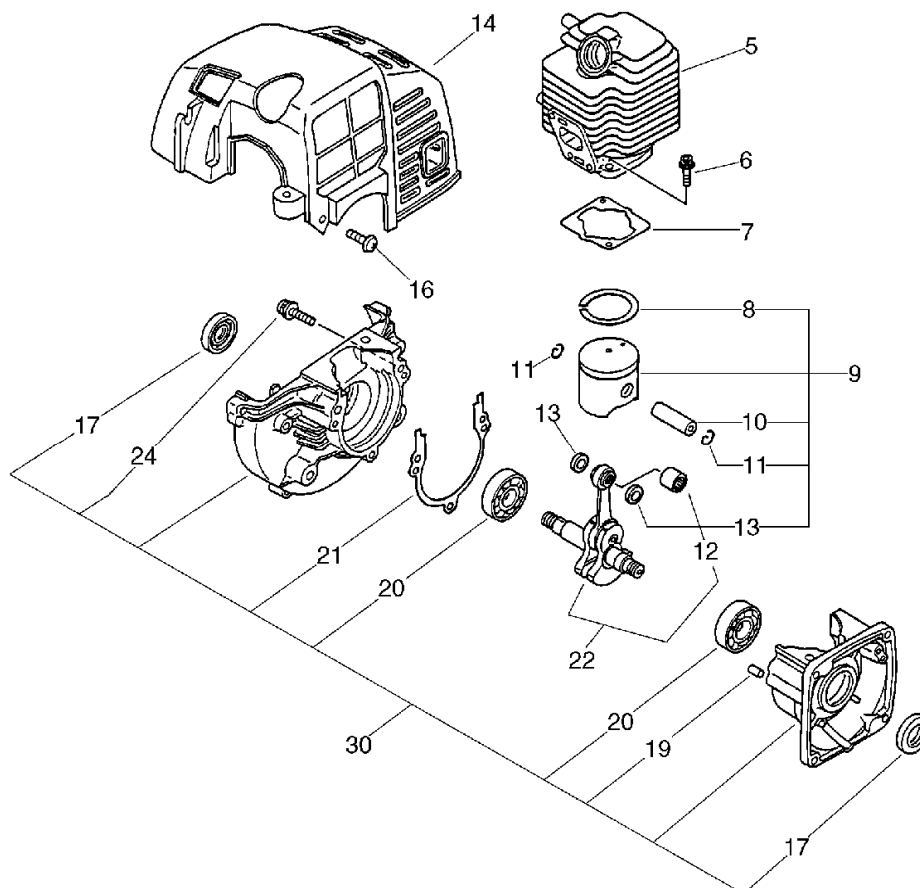
POWER SPRAYER SHR-4100



SHR-4100

1. Cylinder, Crankcase, Piston

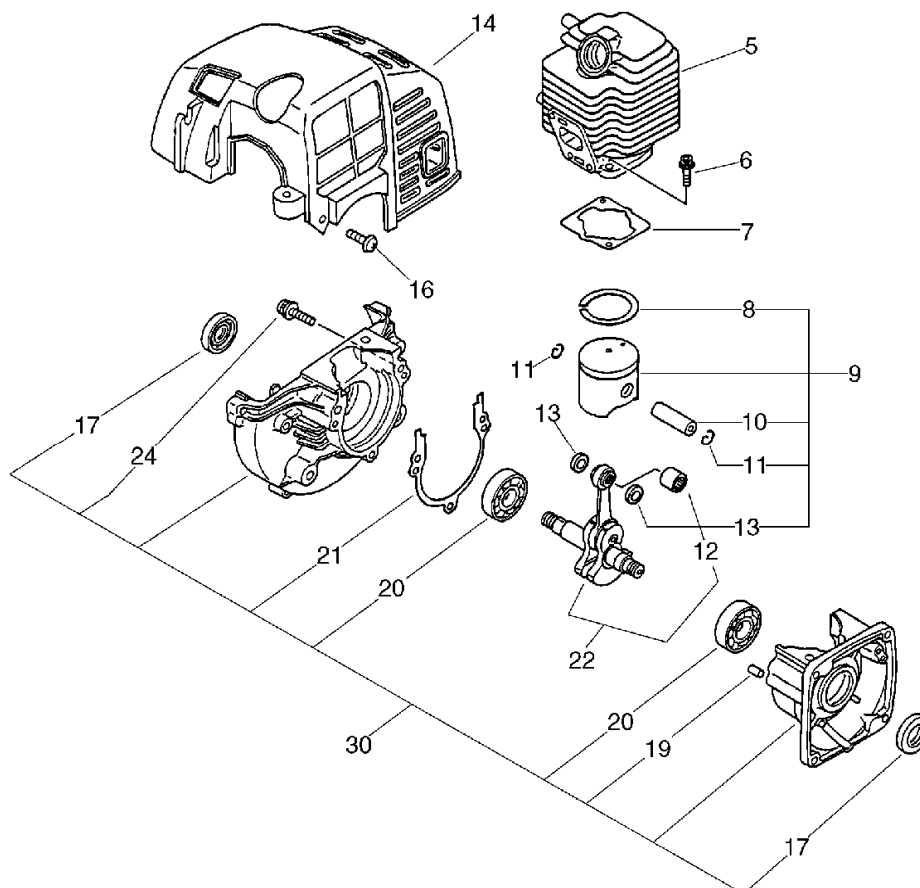
No.1



KEY	LV	PART NUMBER	Q'TY	DESCRIPTION	REMARKS	NOTE1	NOTE2
5		101011-47630	1	CYLINDER		Sus. by 101011-48730	
5		101011-48730	1	CYLINDER			
6		900162-05022	2	BOLT, H.S. 5*22	5*22 W,SW		
7		101010-44331	1	GASKET, CYL. BASE		Sus. by 101010-44332	
7		101010-44332	1	GASKET, CYL. BASE			
9		100000-44330	1	PISTON KIT		Sus. by 100000-44331	
9		100000-44331	1	PISTON KIT			
8	+	100011-05330	1	RING, PISTON			
10	+	100013-11520	1	PIN, PISTON			
11	+	100015-04630	2	CIRCLIP, PISTON PIN			
13	+	100014-11520	2	SPACER, PISTON PIN			
14		101514-42030	1	COVER, CYLINDER		Sus. by 101514-42031	
14		101514-42031	1	COVER, CYLINDER			
16		900242-04016	2	SCREW 4*16	4*16		
22		100100-52131	1	CRANKSHAFT ASSY		Sus. by A011-000002	
22		100100-52132	1	CRANKSHAFT		Sus. by A011-000002	
22		A011-000002	1	CRANKSHAFT,ASM			
12	+	100012-51230	1	BEARING, NEEDLE	8*12*10	Sus. by V553-000010	

1. Cylinder, Crankcase, Piston

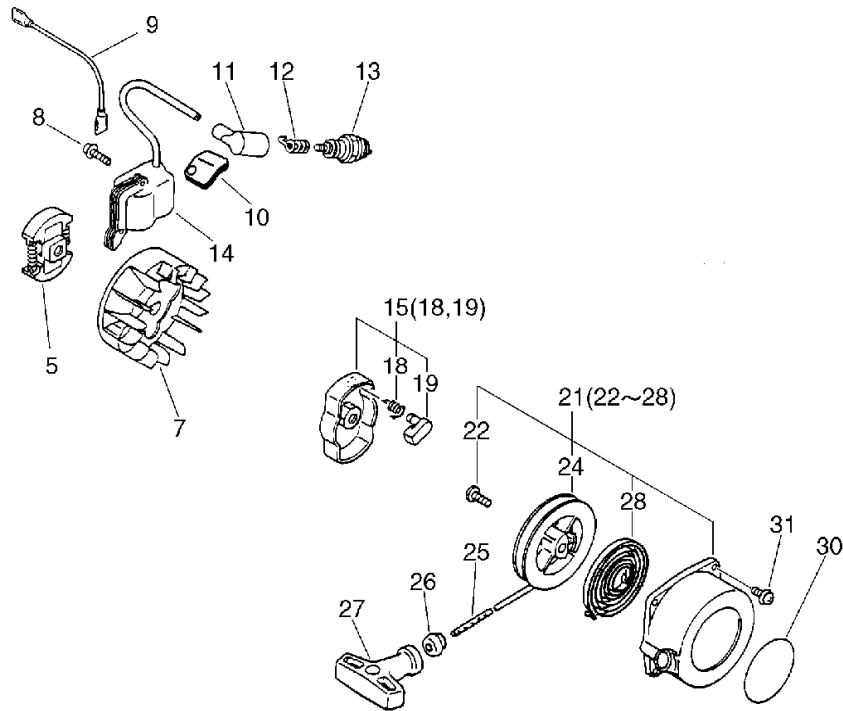
No.1



KEY	LV	PART NUMBER	Q'TY	DESCRIPTION	REMARKS	NOTE1	NOTE2
12	+	V553-000030	1	BEARING,NEEDLE 8		Sus. by V553-000010	
12	+	V553-000010	1	BEARING,NEEDLE 8	HK0810		
30		100204-51030	1	CRANKCASE KIT		Sus. by 100204-51031	
30		100204-51031	1	CRANKCASE KIT			
17	+	100212-42030	2	OILSEAL	ISCD12*22*4.5	Sus. by 100212-42031	
17	+	100212-42031	2	OILSEAL	ISCD 12*22*4.5		
19	+	100215-03930	2	PIN, DOWEL			
20	+	900810-36201	2	BEARING, BALL 6201	6201/C3	Sus. by 94035-36201	
20	+	94035-36201	2	BEARING BALL	6201X3JR2C3		
21	+	100242-42030	1	GASKET, CRANKCASE			
24	+	900242-05028	3	SCREW 5*28	5*28	Sus. by 900162-05028	
24	+	900162-05028	3	BOLT, H.S. 5*28	5*28 W,SW		

2. Starter, Magneto

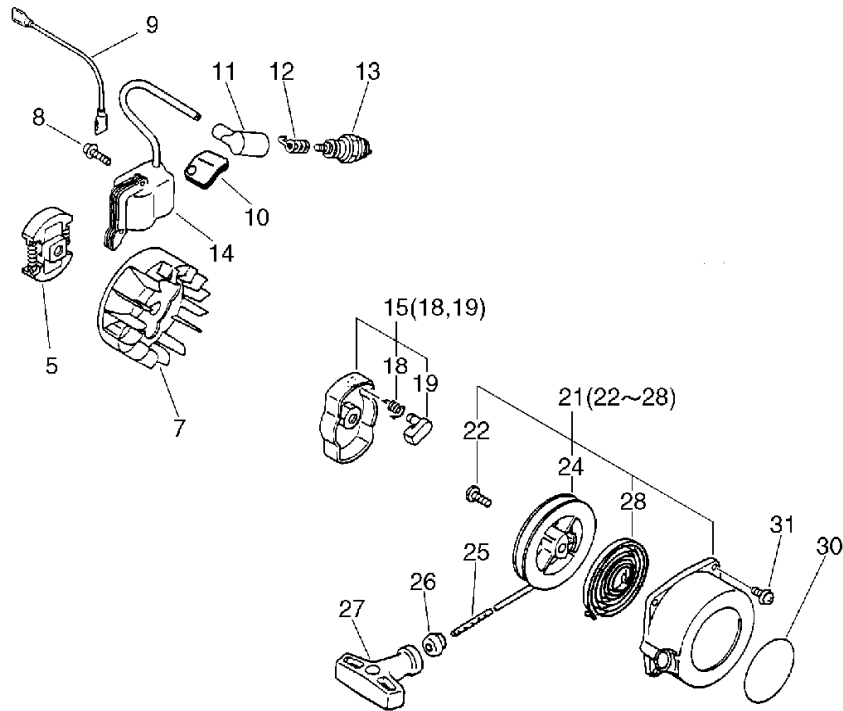
No.2



KEY	LV	PART NUMBER	Q'TY	DESCRIPTION	REMARKS	NOTE1	NOTE2
5		175000-11611	1	CLUTCH ASSY		Sus. by 175000-11612	
5		175000-11612	1	CLUTCH ASY			
7		156801-44730	1	FLYWHEEL		Sus. by 156801-44731	
7		156801-44731	1	FLYWHEEL			
8		900242-04022	2	SCREW 4*22	4*22		
9		162010-13310	1	LEAD, GROUND	250L		
10		150112-42030	1	BUSHING			
11		159012-03433	1	CAP, SPARK PLUG			
12		159011-03432	1	COIL, SPARK PLUG			
13		159010-12530	1	PLUG, SPARK (BPMR-6A)	BPMR-6A		
14		156601-11910	1	C.D.IGNITION MODULE		Sus. by set of 156601-52130 and 162010-13310	
14		156601-11911	1	COIL, IGNITION		Sus. by set of 156601-52130 and 162010-13310	
14		156601-52130	1	COIL, IGNITION			
15		177202-44330	1	PAWL ASSY, STARTER		Sus. by 177202-44331	
15		177202-44331	1	PAWL ASM., STARTER			
18	+	177234-42030	1	SPRING, RETURN		Sus. by 177234-12220	

2. Starter, Magneto

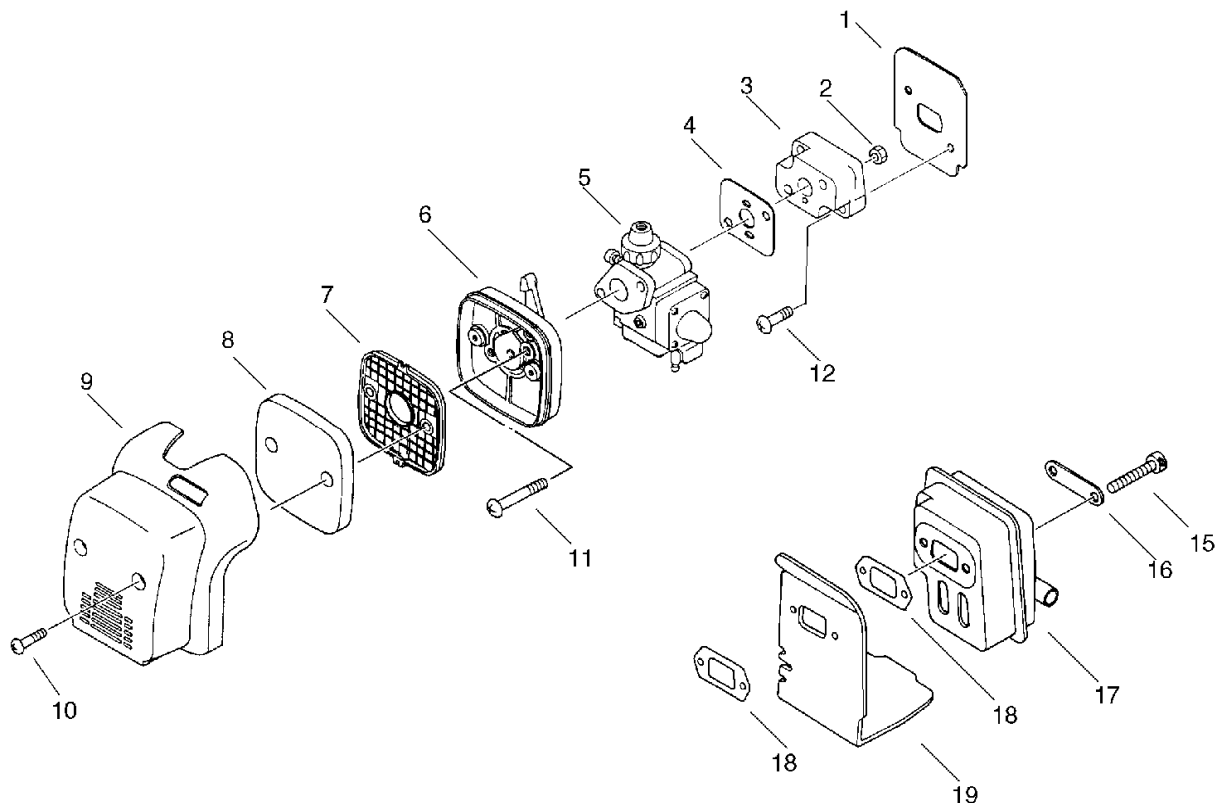
No.2



KEY	LV	PART NUMBER	Q'TY	DESCRIPTION	REMARKS	NOTE1	NOTE2
18	+	177234-12220	1	SPRING, PAWL			
19	+	177218-44330	1	PAWL, STARTER	BLACK		
21		177200-42032	1	STARTER ASSY		Sus. by 177200-42033	
21		177200-42033	1	STARTER ASSY			
22	+	177236-44330	1	SCREW			
24	+	177215-42030	1	DRUM, STARTER		Sus. by 177215-44430	
24	+	177215-44430	1	DRUM, STARTER			
25	+	177226-10120	1	ROPE, STARTER	3.0*1000		
26	+	177227-42030	1	GUIDE, ROPE			
27	+	177228-06530	1	GRIP, STARTER			
28	+	177220-42030	1	SPRING, REWIND			
30		890118-44330	1	LABEL, ECHO		Sus. by 890118-49130	
30		890118-49130	1	LABEL, ECHO			
31		900242-04016	2	SCREW 4*16	4*16		

3. Air Cleaner, Muffler

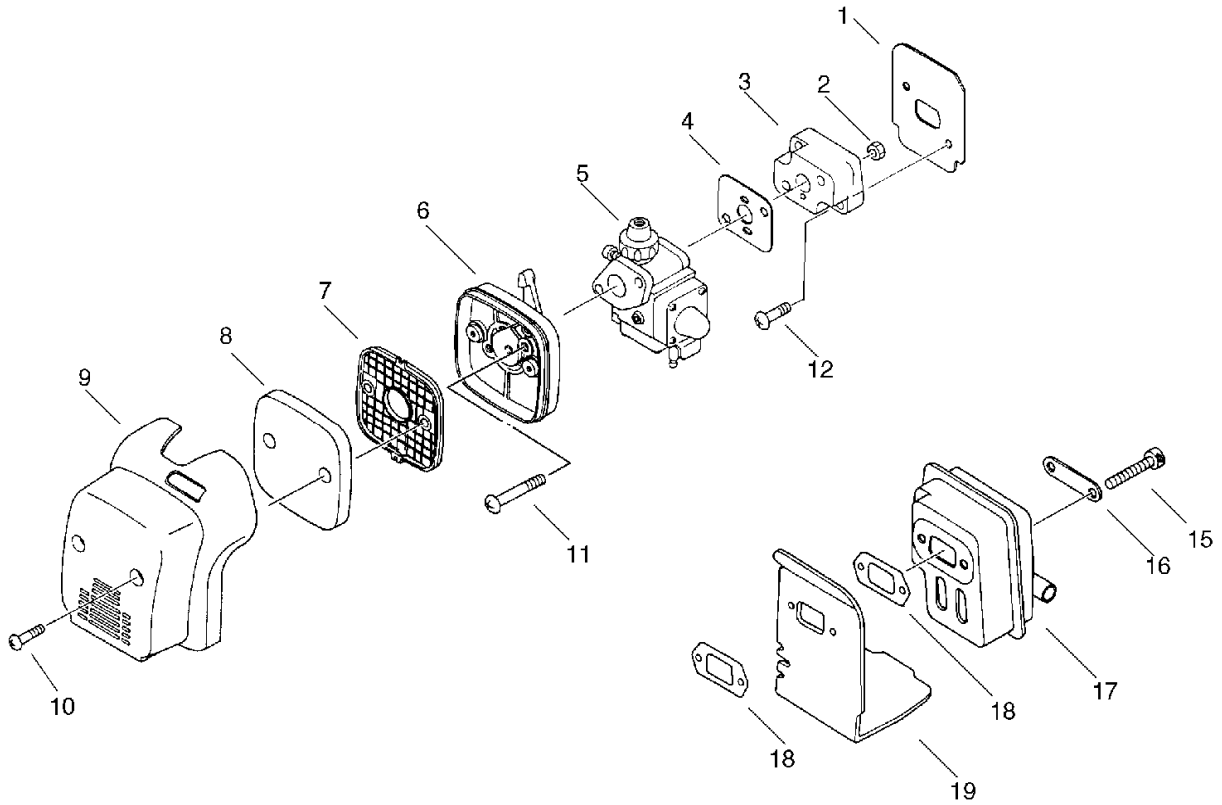
No.3



KEY	LV	PART NUMBER	Q'TY	DESCRIPTION	REMARKS	NOTE1	NOTE2
1		130016-12710	1	GASKET, INTAKE			
2		900500-00005	2	NUT 5	5		
3		130017-12711	1	INSULATOR			
4		130010-52830	1	GASKET, INTAKE			
5		124200-12710	1	CARBURETOR ASSY	DPR10-1B		
6		130307-12710	1	CASE, AIR CLEANER		Sus. by 130307-52830	
6		130307-53930	1	CASE, AIR CLEANER		Sus. by 130307-52830	
6		130307-52830	1	CASE, AIR CLEANER			
7		130311-52830	1	GRID, AIR CLEANER			
8		130310-52830	1	FILTER, AIR			
9		130308-12710	1	COVER, AIR CLEANER			
10		900242-04020	2	SCREW 4*20	4*20		
11		900242-05060	2	SCREW 5*60	5*60		
12		900242-05020	2	SCREW 5*20	5*20		
15		900105-05055	2	BOLT, H.S. 5*55	5*55		
16		145642-04930	1	WASHER			
17		145610-11610	1	MUFFLER			
18		145510-42031	2	GASKET, MUFFLER		Sus. by V104-000160	
18		V104-000160	2	GASKET, EXHAUST			
19		145871-44331	1	COVER, MUFFLER		Sus. by A320-000251	
19		145631-42030	1	COVER, MUFFLER		Sus. by A320-000251	

3. Air Cleaner, Muffler

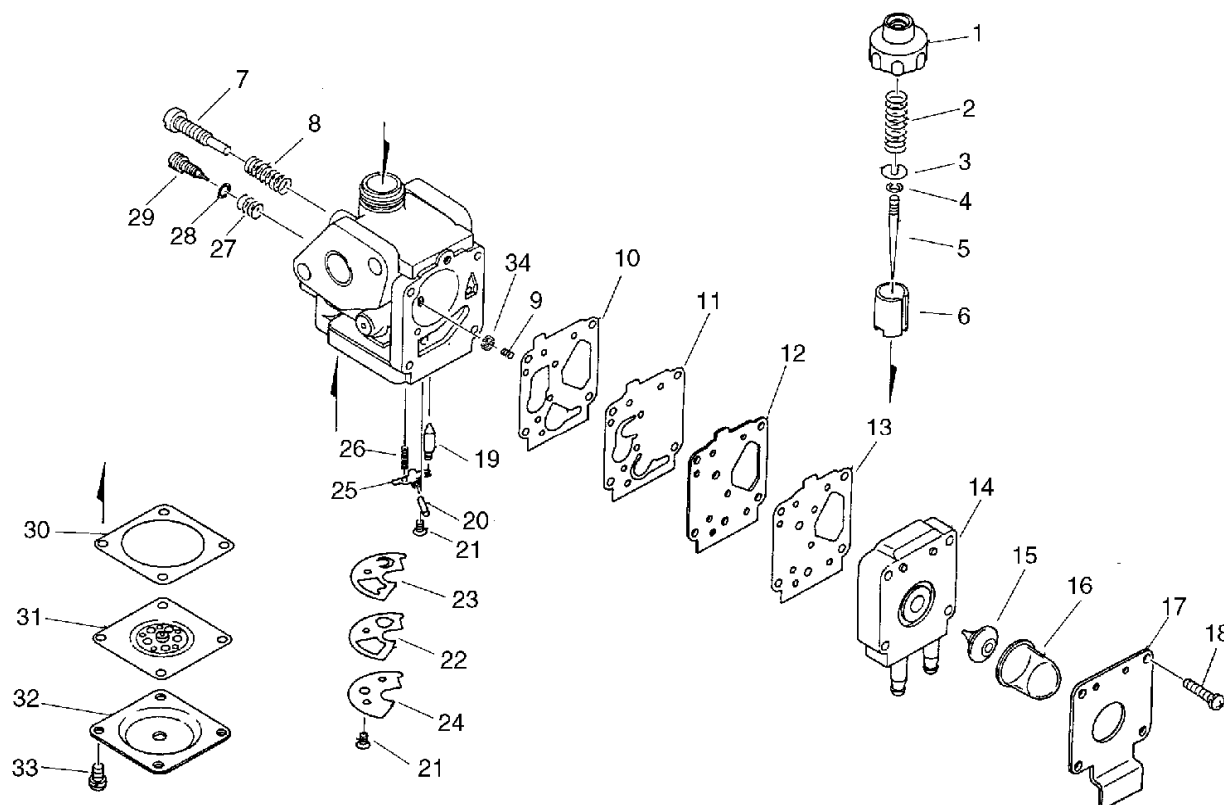
No.3



KEY	LV	PART NUMBER	Q'TY	DESCRIPTION	REMARKS	NOTE1	NOTE2
19		A320-000250	1	COVER,MUFFLER		Sus. by A320-000251	
19		A320-000251	1	COVER,MUFFLER			

4. Carburetor

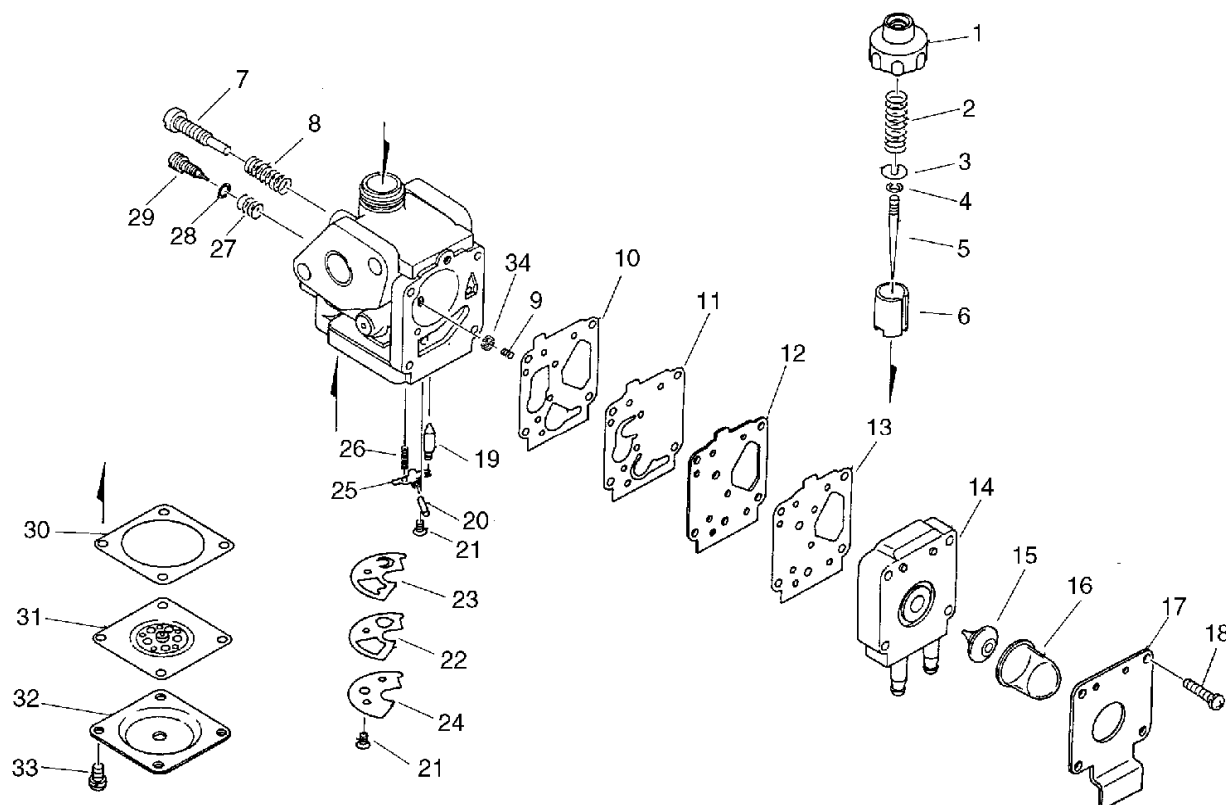
No.4



KEY	LV	PART NUMBER	Q'TY	DESCRIPTION	REMARKS	NOTE1	NOTE2
		124200-12710	1	CARBURETOR ASSY	DPR10-1B		
1	+	124113-05530	1	COVER, TOP			
2	+	124114-05530	1	SPRING, THROTTLE			
3	+	124115-05530	1	SEAT, SPRING			
4	+	124116-05530	1	E-RING			
5	+	124317-22831	1	NEEDLE, JET			
6	+	124318-12710	1	VALVE, THROTTLE			
7	+	124159-05530	1	SCREW, IDLE ADJUST			
8	+	124160-11120	1	SPRING, IDLE ADJUST			
9	+	124355-50130	1	SPRING, ADJUSTMENT			
10	+	124361-12710	1	GASKET			
11	+	124364-40830	1	DIAPHRAGM, FUEL PUMP			
12	+	124362-12710	1	PLATE, PUMP			
13	+	124363-12710	1	GASKET, FUEL PUMP			
14	+	124365-12710	1	COVER, PUMP			
15	+	124374-12710	1	VALVE, COMBINATION			
16	+	124380-12710	1	PUMP, PRIMING			
17	+	124342-52830	1	PLATE, PUMP			
18	+	900241-03016	4	SCREW 3*16 (W/SW)	3*16		
19	+	124320-52830	1	VALVE, NEEDLE			
20	+	124332-21330	1	PIN, LEVER			
21	+	900204-03008	2	SCREW 3*8	-SF3*8	Sus. by 900212-03008	
21	+	900212-03008	2	SCREW 3*8	+SF3*8		
22	+	124374-53630	1	VALVE, CHECK			
23	+	124375-12710	1	GASKET			

4. Carburetor

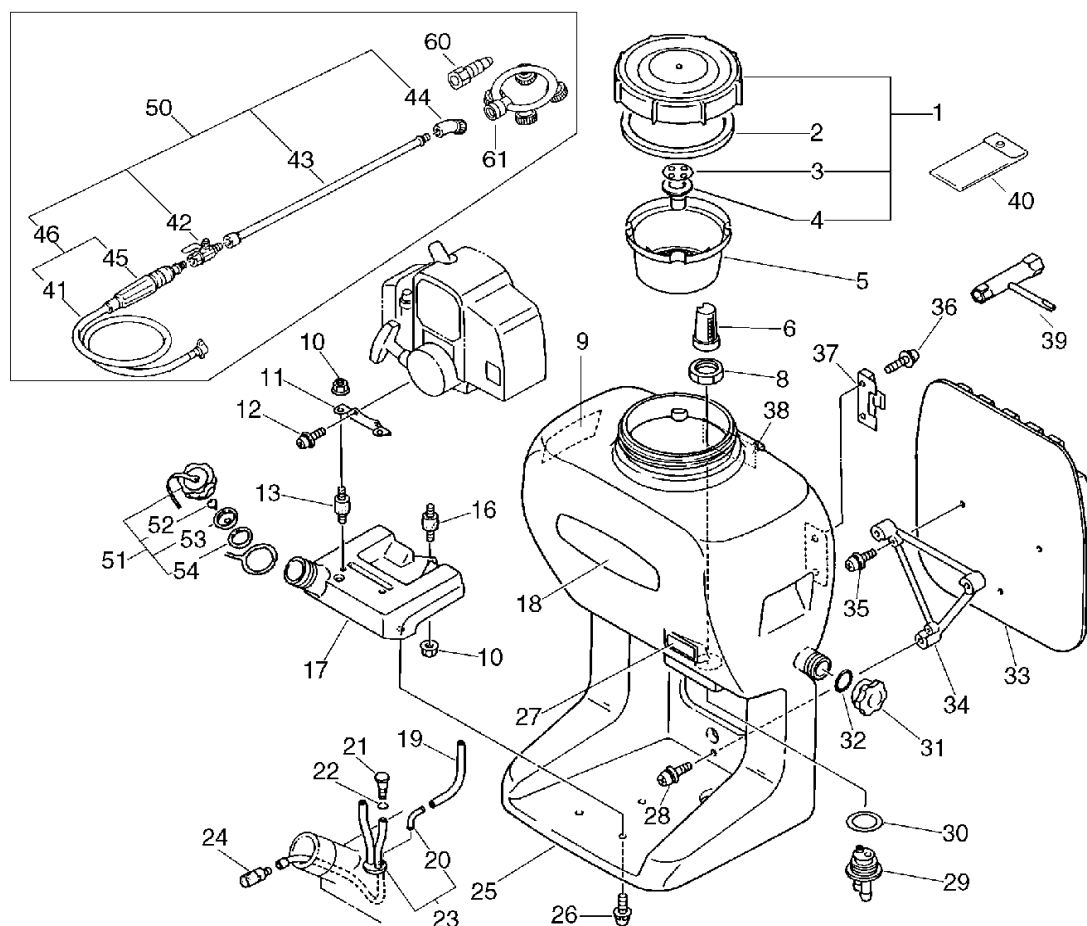
No.4



KEY	LV	PART NUMBER	Q'TY	DESCRIPTION	REMARKS	NOTE1	NOTE2
24	+	124345-12710	1	PLATE			
25	+	124321-21330	1	LEVER, INLET CONTROL			
26	+	124331-12710	1	SPRING, TENSION			
27	+	124355-21330	1	SPRING, ADJUSTMENT			
28	+	124356-21330	1	O-RING			
29	+	124354-46430	1	SCREW, MAIN ADJUST		Sus. by 124354-12710	
29	+	124354-12710	1	SCREW, MAIN ADJUST			
30	+	124358-21330	1	GASKET, DIAPHRAGM			
31	+	124341-49930	1	DIAPHRAGM			
32	+	124324-21330	1	COVER, DIAPHRAGM			
33	+	900240-03008	4	SCREW 3*8 (W/W,SW)	3*8		
34	+	P004-000010	1	SCREEN,INLET			

5. Fuel Tank, Back Pack, Chemical Tank

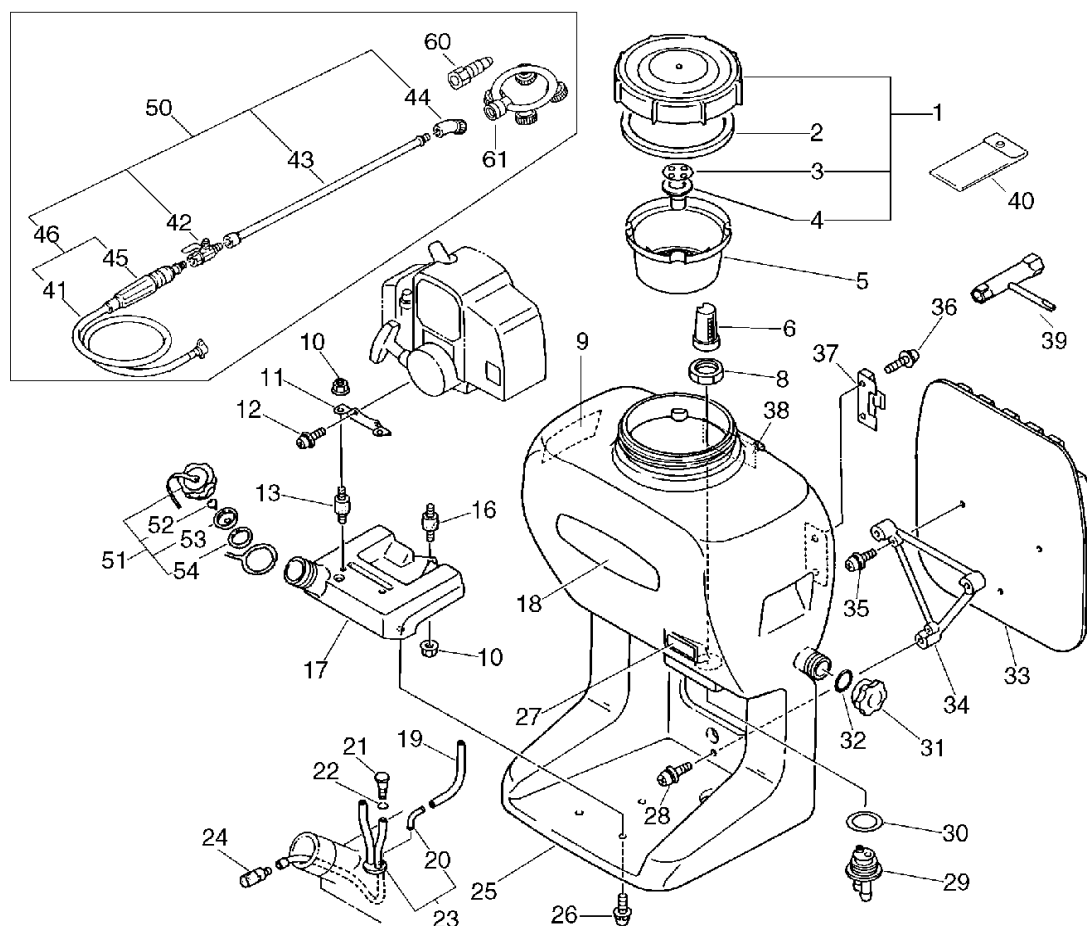
No.5



KEY	LV	PART NUMBER	Q'TY	DESCRIPTION	REMARKS	NOTE1	NOTE2
1		250001-11310	1	CAP, TANK CHEICAL			
3	+	250026-11310	1	VALVE, AIR			
4	+	250027-11310	1	PACKING			
2		250011-01110	1	GASKET, CHMCL. TANK			
5		254210-12210	1	FILTER, CHMCL. TANK		Sus. by 254210-12210	
5		E220-000010	1	FILTER, TANK		Sus. by 254210-12210	
5		254210-12210	1	FILTER, CHMCL. TANK			
6		356111-10510	1	SCREEN			
8		357015-12710	1	NUT, HOSE			
9		890184-10610	1	LABEL, CAUTION			
10		900518-00006	3	NUT, FLANGE	6		
11		104925-11610	1	BRACKET, ENGINE			
12		900242-05010	2	SCREW 5*10	5*10		
13		104910-11410	2	CUSHION			
16		104910-11610	1	CUSHION 6			
17		131005-12710	1	TANK, FUEL		Sus. by 131005-12711	
17		131005-12711	1	TANK, FUEL			
18		890118-12710	1	LABEL, ECHO			
19		129028-11612	1	PIPE	3*5*75	Sus. by 132010-40830	
19		132010-40830	1	PIPE 3* 6* 75	3*6*75 YL		
21		131300-40630	1	VALVE, CHECK		Sus. by 131300-56430	

5. Fuel Tank, Back Pack, Chemical Tank

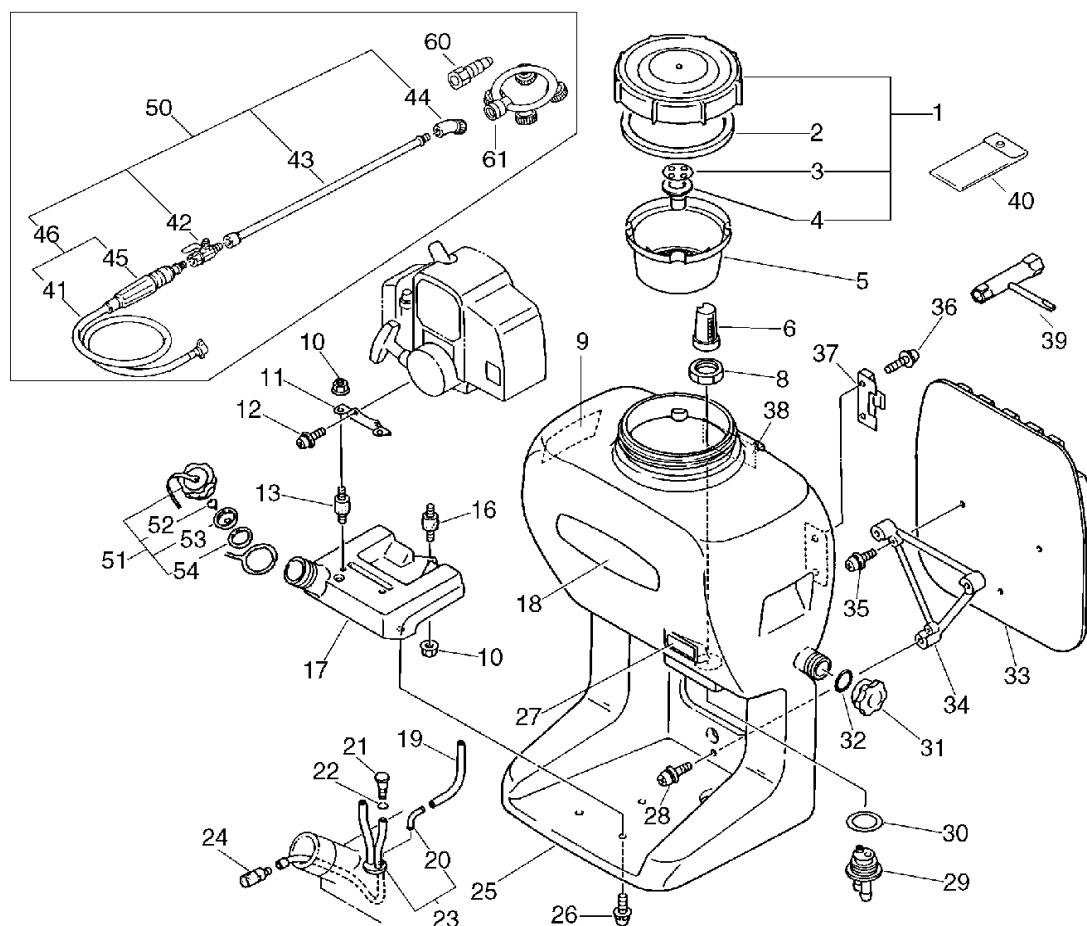
No.5



KEY	LV	PART NUMBER	Q'TY	DESCRIPTION	REMARKS	NOTE1	NOTE2
21		131300-56430	1	VALVE, CHECK			
22		130111-00530	1	CLIP	5.5		
23		132002-11910	1	PIPE, FUEL			
20	+	132021-40630	1	CONNECTOR, PIPE			
24		131205-50430	1	STRAINER, FUEL		Sus. by 131205-14930	
24		131205-14930	1	STRAINER, FUEL			
25		253006-12710	1	TANK, CHEMICAL			
26		900242-06014	3	SCREW 6*14	6*14		
27		890112-12710	1	LABEL, MODEL			
28		900242-05016	3	SCREW 5*16	5*16	Sus. by 900243-05016	
28		900243-05016	3	SCREW 5*16	5*16		
29		357010-12710	1	NIPPLE, HOSE			
30		357014-12711	1	GASKET, CIRCULAR			
31		250211-11410	1	NUT, HOSE			
32		900720-30028	1	O-RING P-28 (F)	P-28		
33		300105-12710	1	SEAT, BACK PACK			
34		300333-12710	1	PIECE, BACK PACK			
35		900242-05014	3	SCREW 5*14	5*14	Sus. by 900242-05016	
35		900242-05016	3	SCREW 5*16	5*16		
36		900242-06020	2	SCREW 6*20	6*20		
37		224915-12711	1	HOLDER, NOZZLE			
38		890178-10611	1	LABEL, CAUTION			
39		895410-03930	1	WRENCH, W/S. DRIVER			

5. Fuel Tank, Back Pack, Chemical Tank

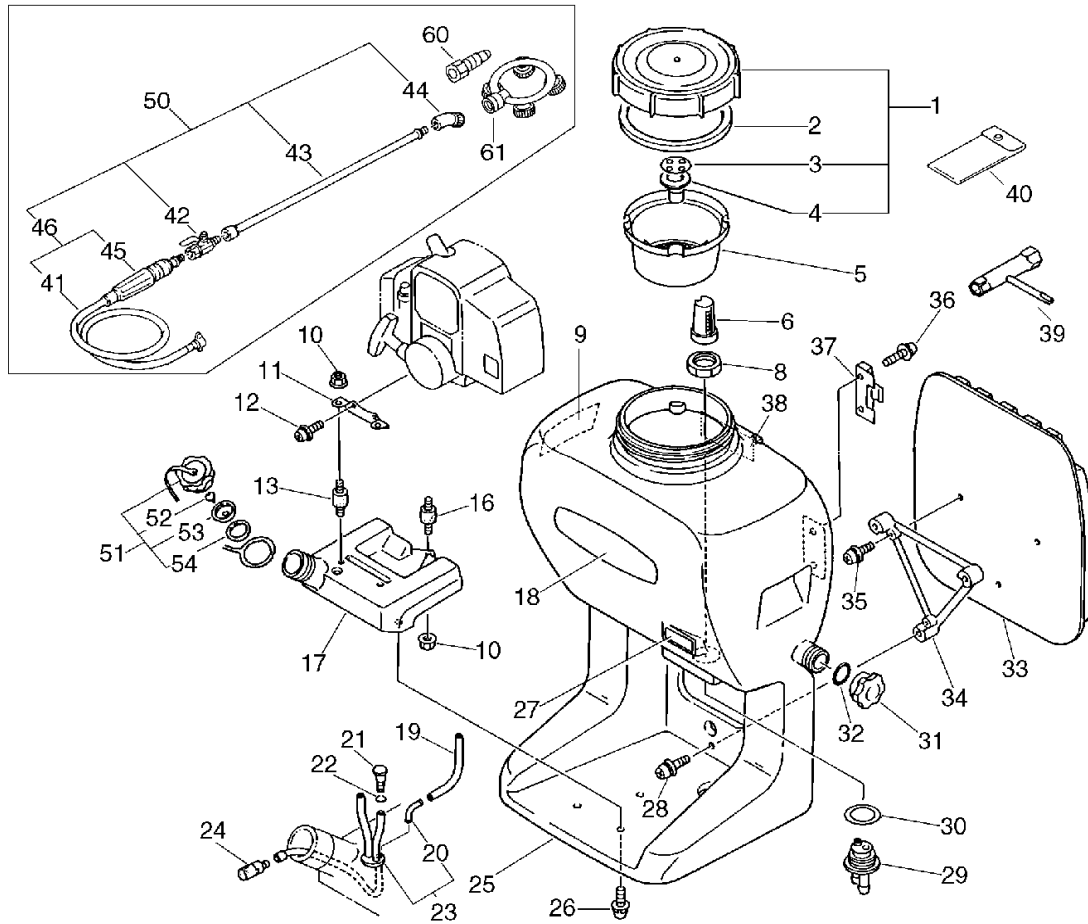
No.5



KEY	LV	PART NUMBER	Q'TY	DESCRIPTION	REMARKS	NOTE1	NOTE2
40		898510-14130	1	TOOL BAG		Sus. by 898510-39130	
40		898510-39130	1	BAG, TOOL			
50		224100-11611	1	SPRAY LANCE SHR-041		Sus. by 224100-11613	
50		224100-11612	1	SPRAY LANCE	SHR-041	Sus. by 224100-11613	
50		224100-11613	1	NOZZLE, SPLLAY			
42	+	224400-10510	1	VALVE, NOZZLE		Sus. by E245-000050	
42	+	224400-11710	1	VALVE, NOZZLE	PF1/4	Sus. by E245-000050	
42	+	E245-000050	1	COCK,LIQUID	2-PF1/4 M*F		
43	+	224102-11610	1	PIPE, NOZZLE		Sus. by E270-000030	
43	+	224102-11611	1	PIPE, NOZZLE	PF1/4*645L	Sus. by E270-000030	
43	+	E270-000030	1	PIPE,NOZZLE	AG2003-020		
44	+	224101-11610	1	NOZZLE			
46	+	384002-10519	1	HOSE ASY, SPRAY	7.5*1.2M	Sus. by P021-002530	
46	+	P021-002530	1	HOSE ASY, SPRAY			
41	++	384002-12710	1	HOSE 7.5*1.2M BL	7.5*1.2M BL		
45	++	224110-12710	1	GRIP,NOZZLE		Sus. by E271-000000	
45	++	E271-000000	1	GRIP,NOZZLE			

5. Fuel Tank, Back Pack, Chemical Tank

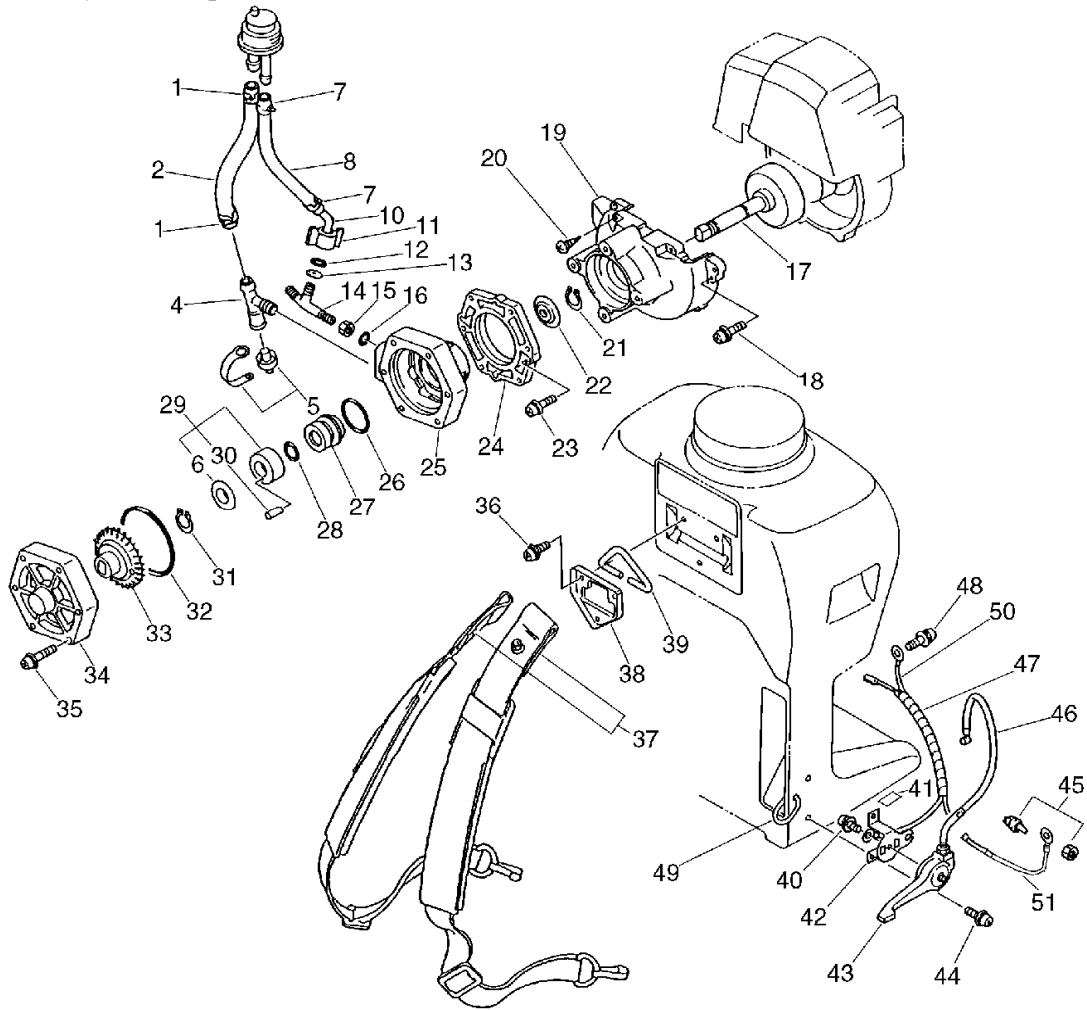
No.5



KEY	LV	PART NUMBER	Q'TY	DESCRIPTION	REMARKS	NOTE1	NOTE2
51		131604-13210	1	CAP ASSY, FUEL TANK		Sus. by 131600-09861	
51		131600-09860	1	CAP ASSY, FUEL TANK		Sus. by 131600-09861	
51		131600-09861	1	CAP ASY, FUEL			
52	+	131314-06320	1	VALVE, CHECK		Can be used on the 131600-09860 only	
53	+	131015-21330	1	HOLDER, CHECK VALVE		Sus. by A358-000000	
53	+	A358-000000	1	HOLDER,CHECK VALVE		Can be used on the 131600-09860 only	
54	+	131016-40630	1	GASKET, FUEL CAP		Can be used on the 131604-13210 only	
54	+	131016-21060	1	GASKET, FUEL CAP		Can be used on the 131600-09860 only	
60		224103-10610	1	NOZZLE, ADJUSTABLE		OPTION	
61		224101-10610	1	NOZZLE, 4-HEAD RING		OPTION	

6. Harness, Pump

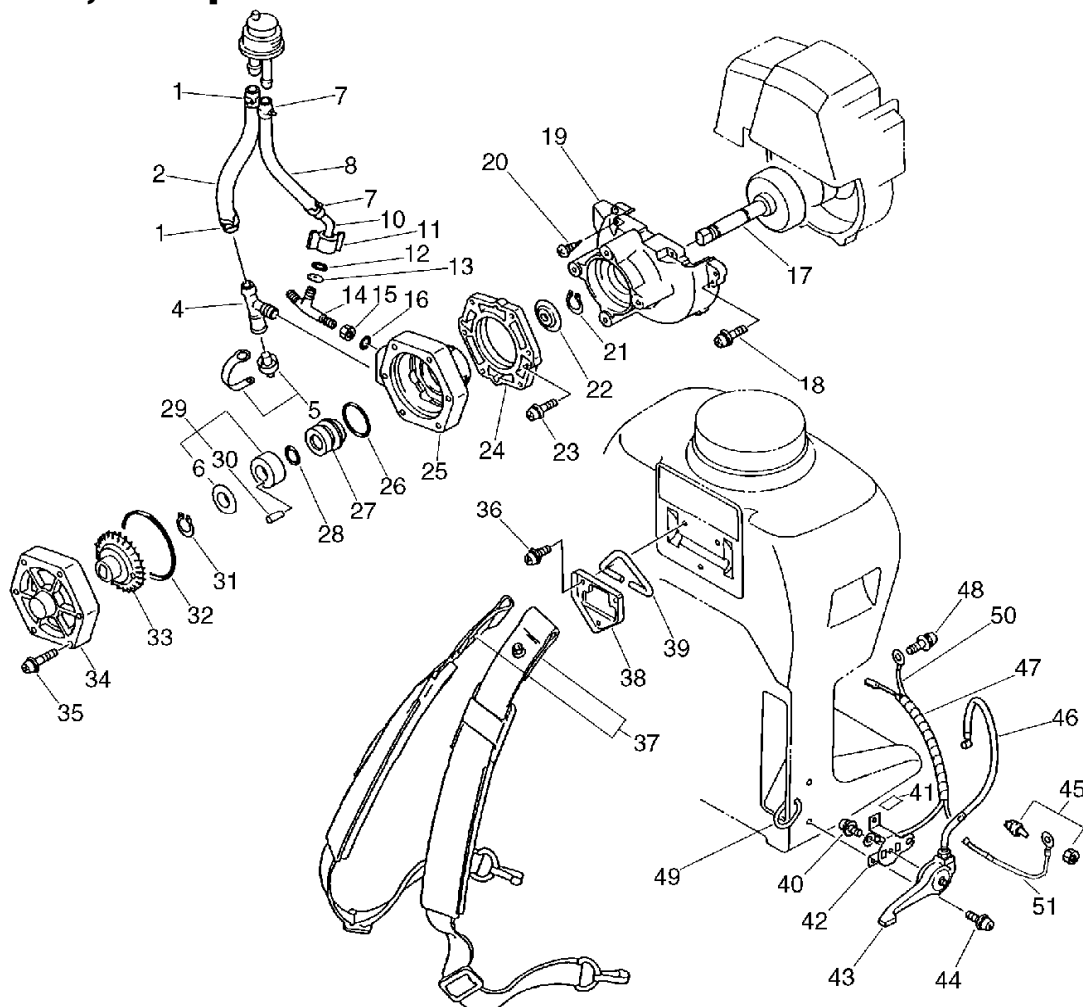
No.6



KEY	LV	PART NUMBER	Q'TY	DESCRIPTION	REMARKS	NOTE1	NOTE2
1		357023-01110	2	CLIP 13		Sus. by V495-000310	
1		V495-000310	2	BAND			
2		382012-12710	1	PIPE	10*15*130		
4		382015-11610	1	NIPPLE			
5		382004-11710	1	PLUG, DRAIN			
7		386020-10511	2	CLIP (10MM)			
8		386010-12710	1	PIPE			
10		386012-10511	1	NIPPLE			
11		386015-10510	1	NUT, WING			
12		386019-10510	1	GASKET, BYPASS NOZZLE			
13		386018-10510	1	WASHER, CIRCULAR			
14		384013-11610	1	NIPPLE, OUTLET PUMP			
15		384029-10510	1	NUT	1/4		
16		900722-00100	1	O-RING P-10A	P-10A(NBR)		
17		175005-11810	1	DRUM, CLUTCH			
18		900242-04016	4	SCREW 4*16	4*16		
19		101507-12712	1	COVER, FAN BS			
20		900252-04014	2	SCREW 4*14	4*14		
21		900701-00012	1	CIRCLIP 12	CS-12		
22		405114-10510	1	PLATE			
23		900245-06016	4	SCREW 6*16	6*16		
24		100209-11910	1	BRACKET, PUMP			
25		405210-10512	1	CASING, PUMP			
26		900724-00029	1	O-RING (S-29)	S-29		
27		405100-11410	1	SEAL, UNIT			

6. Harness, Pump

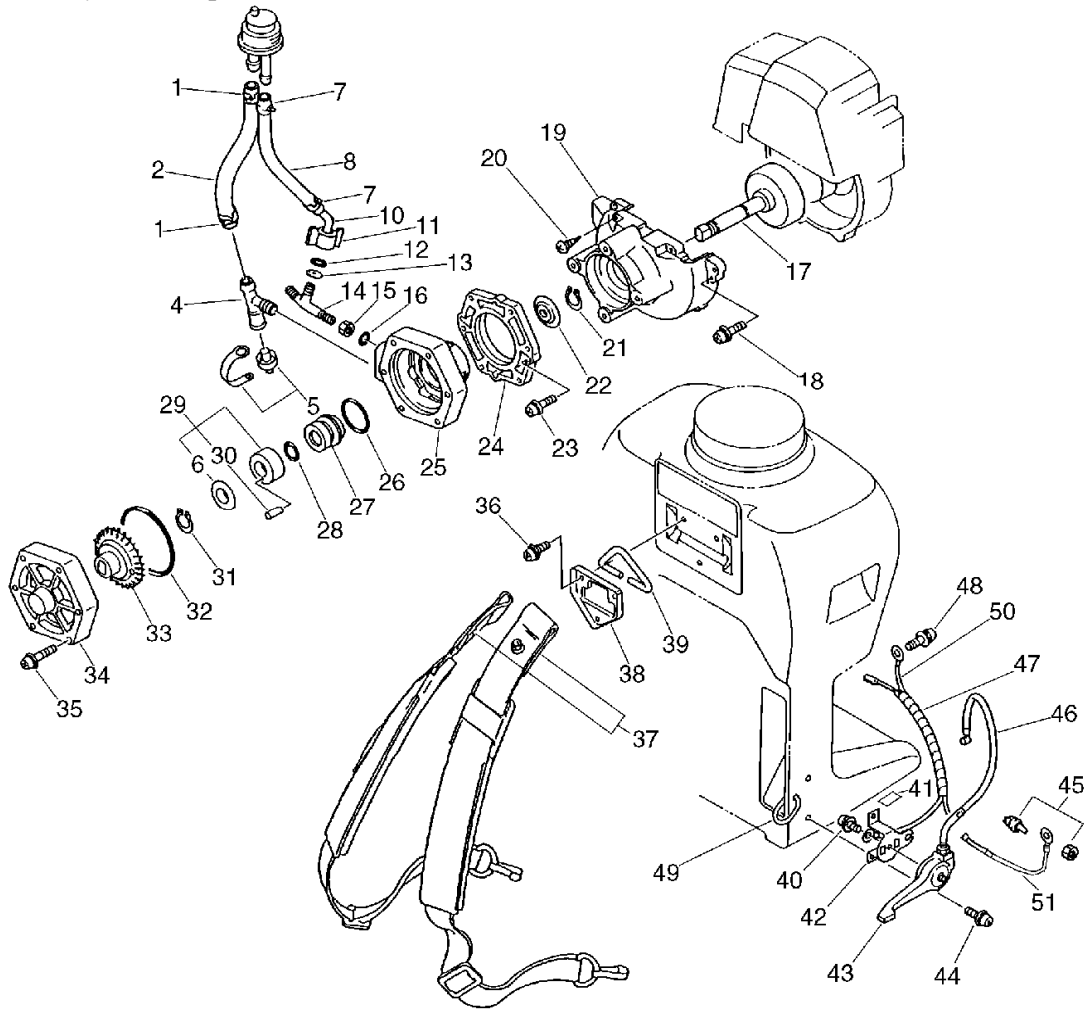
No.6



KEY	LV	PART NUMBER	Q'TY	DESCRIPTION	REMARKS	NOTE1	NOTE2
28		900724-00010	1	O-RING 10	S-10		
29		405103-11411	1	COUPLING, SEAL. UNIT			
6	+	400111-11410	1	WASHER	12.2*20*0.5		
30	+	405113-10510	1	PIN			
31		900704-00012	1	CIRCLIP 12	CS-12 SUS		
32		900724-30067	1	O-RING	S-67		
33		405110-10512	1	IMPELLER			
34		405211-10511	1	LID, PUMP			
35		900242-05040	6	SCREW 5*40	5*40		
36		900242-06010	3	SCREW 6*10	6*10		
37		300300-11610	2	HARNESS, KNAPSACK		Sus. by 300300-11611	
37		300300-11611	2	HARNESS, BACKPACK			
38		300614-11610	1	BRACKET, HANGER			
39		300610-11610	1	HANGER			
40		900242-05010	1	SCREW 5*10	5*10		
41		890157-39130	1	LABEL, SWITCH			
42		178123-13210	1	BRACKET, THROTTLE			
43		178000-12710	1	LEVER, CONTROL			
44		900242-05016	2	SCREW 5*16	5*16		
45		163400-10610	1	SWITCH, IGNITION			
46		178001-12711	1	WIRE, THROTTLE			
47		132015-13210	1	TUBE, COIL	9*11*12		
48		900242-05010	1	SCREW 5*10	5*10		
49		300319-01611	2	RING, HARNESS			
50		162010-11612	1	LEAD, GROUND	260L		

6. Harness, Pump

No.6



KEY	LV	PART NUMBER	Q'TY	DESCRIPTION	REMARKS	NOTE1	NOTE2
51		162014-13210	1	LEAD, GROUND			

Index

Patrs Number	Key No.	Patrs Number	Key No.	Patrs Number	Key No.
100000-44330	1 - 9	124358-21330	4 - 30	159010-12530	2 - 13
100000-44331	1 - 9	124361-12710	4 - 10	159011-03432	2 - 12
100011-05330	1 - 8	124362-12710	4 - 12	159012-03433	2 - 11
100012-51230	1 - 12	124363-12710	4 - 13	162010-11612	6 - 50
100013-11520	1 - 10	124364-40830	4 - 11	162010-13310	2 - 9
100014-11520	1 - 13	124365-12710	4 - 14	162014-13210	6 - 51
100015-04630	1 - 11	124374-12710	4 - 15	163400-10610	6 - 45
100100-52131	1 - 22	124374-53630	4 - 22	175000-11611	2 - 5
100100-52132	1 - 22	124375-12710	4 - 23	175000-11612	2 - 5
100204-51030	1 - 30	124380-12710	4 - 16	175005-11810	6 - 17
100204-51031	1 - 30	129028-11612	5 - 19	177200-42032	2 - 21
100209-11910	6 - 24	130010-52830	3 - 4	177200-42033	2 - 21
100212-42030	1 - 17	130016-12710	3 - 1	177202-44330	2 - 15
100212-42031	1 - 17	130017-12711	3 - 3	177202-44331	2 - 15
100215-03930	1 - 19	130111-00530	5 - 22	177215-42030	2 - 24
100242-42030	1 - 21	130307-12710	3 - 6	177215-44430	2 - 24
101010-44331	1 - 7	130307-52830	3 - 6	177218-44330	2 - 19
101010-44332	1 - 7	130307-53930	3 - 6	177220-42030	2 - 28
101011-47630	1 - 5	130308-12710	3 - 9	177226-10120	2 - 25
101011-48730	1 - 5	130310-52830	3 - 8	177227-42030	2 - 26
101507-12712	6 - 19	130311-52830	3 - 7	177228-06530	2 - 27
101514-42030	1 - 14	131005-12710	5 - 17	177234-12220	2 - 18
101514-42031	1 - 14	131005-12711	5 - 17	177234-42030	2 - 18
104910-11410	5 - 13	131015-21330	5 - 53	177236-44330	2 - 22
104910-11610	5 - 16	131016-21060	5 - 54	178000-12710	6 - 43
104925-11610	5 - 11	131016-40630	5 - 54	178001-12711	6 - 46
124113-05530	4 - 1	131205-14930	5 - 24	178123-13210	6 - 42
124114-05530	4 - 2	131205-50430	5 - 24	224100-11611	5 - 50
124115-05530	4 - 3	131300-40630	5 - 21	224100-11612	5 - 50
124116-05530	4 - 4	131300-56430	5 - 21	224100-11613	5 - 50
124159-05530	4 - 7	131314-06320	5 - 52	224101-10610	5 - 61
124160-11120	4 - 8	131600-09860	5 - 51	224101-11610	5 - 44
124200-12710	3 - 5	131600-09861	5 - 51	224102-11610	5 - 43
124200-12710	4 -	131604-13210	5 - 51	224102-11611	5 - 43
124317-22831	4 - 5	132002-11910	5 - 23	224103-10610	5 - 60
124318-12710	4 - 6	132010-40830	5 - 19	224110-12710	5 - 45
124320-52830	4 - 19	132015-13210	6 - 47	224400-10510	5 - 42
124321-21330	4 - 25	132021-40630	5 - 20	224400-11710	5 - 42
124324-21330	4 - 32	145510-42031	3 - 18	224915-12711	5 - 37
124331-12710	4 - 26	145610-11610	3 - 17	250001-11310	5 - 1
124332-21330	4 - 20	145631-42030	3 - 19	250011-01110	5 - 2
124341-49930	4 - 31	145642-04930	3 - 16	250026-11310	5 - 3
124342-52830	4 - 17	145871-44331	3 - 19	250027-11310	5 - 4
124345-12710	4 - 24	150112-42030	2 - 10	250211-11410	5 - 31
124354-12710	4 - 29	156601-11910	2 - 14	253006-12710	5 - 25
124354-46430	4 - 29	156601-11911	2 - 14	254210-12210	5 - 5
124355-21330	4 - 27	156601-52130	2 - 14	254210-12210	5 - 5
124355-50130	4 - 9	156801-44730	2 - 7	300105-12710	5 - 33
124356-21330	4 - 28	156801-44731	2 - 7	300300-11610	6 - 37

Index

Patrs Number	Key No.	Patrs Number	Key No.	Patrs Number	Key No.
300300-11611	6 - 37	900242-04016	2 - 31		
300319-01611	6 - 49	900242-04016	6 - 18		
300333-12710	5 - 34	900242-04020	3 - 10		
300610-11610	6 - 39	900242-04022	2 - 8		
300614-11610	6 - 38	900242-05010	5 - 12		
356111-10510	5 - 6	900242-05010	6 - 40		
357010-12710	5 - 29	900242-05010	6 - 48		
357014-12711	5 - 30	900242-05014	5 - 35		
357015-12710	5 - 8	900242-05016	5 - 28		
357023-01110	6 - 1	900242-05016	5 - 35		
382004-11710	6 - 5	900242-05016	6 - 44		
382012-12710	6 - 2	900242-05020	3 - 12		
382015-11610	6 - 4	900242-05028	1 - 24		
384002-10519	5 - 46	900242-05040	6 - 35		
384002-12710	5 - 41	900242-05060	3 - 11		
384013-11610	6 - 14	900242-06010	6 - 36		
384029-10510	6 - 15	900242-06014	5 - 26		
386010-12710	6 - 8	900242-06020	5 - 36		
386012-10511	6 - 10	900243-05016	5 - 28		
386015-10510	6 - 11	900245-06016	6 - 23		
386018-10510	6 - 13	900252-04014	6 - 20		
386019-10510	6 - 12	900500-00005	3 - 2		
386020-10511	6 - 7	900518-00006	5 - 10		
400111-11410	6 - 6	900701-00012	6 - 21		
405100-11410	6 - 27	900704-00012	6 - 31		
405103-11411	6 - 29	900720-30028	5 - 32		
405110-10512	6 - 33	900722-00100	6 - 16		
405113-10510	6 - 30	900724-00010	6 - 28		
405114-10510	6 - 22	900724-00029	6 - 26		
405210-10512	6 - 25	900724-30067	6 - 32		
405211-10511	6 - 34	900810-36201	1 - 20		
890112-12710	5 - 27	94035-36201	1 - 20		
890118-12710	5 - 18	A011-000002	1 - 22		
890118-44330	2 - 30	A320-000250	3 - 19		
890118-49130	2 - 30	A320-000251	3 - 19		
890157-39130	6 - 41	A358-000000	5 - 53		
890178-10611	5 - 38	E220-000010	5 - 5		
890184-10610	5 - 9	E245-000050	5 - 42		
895410-03930	5 - 39	E270-000030	5 - 43		
898510-14130	5 - 40	E271-000000	5 - 45		
898510-39130	5 - 40	P004-000010	4 - 34		
900105-05055	3 - 15	P021-002530	5 - 46		
900162-05022	1 - 6	V104-000160	3 - 18		
900162-05028	1 - 24	V495-000310	6 - 1		
900204-03008	4 - 21	V553-000010	1 - 12		
900212-03008	4 - 21	V553-000030	1 - 12		
900240-03008	4 - 33				
900241-03016	4 - 18				
900242-04016	1 - 16				

YAMABIKO CORPORATION

7-2 SUEHIROCHO 1-CHOME, OHME, TOKYO 198-8760, JAPAN
PHONE: 81-428-32-6118. FAX: 81-428-32-6145.

ECHO®



4100
No.