



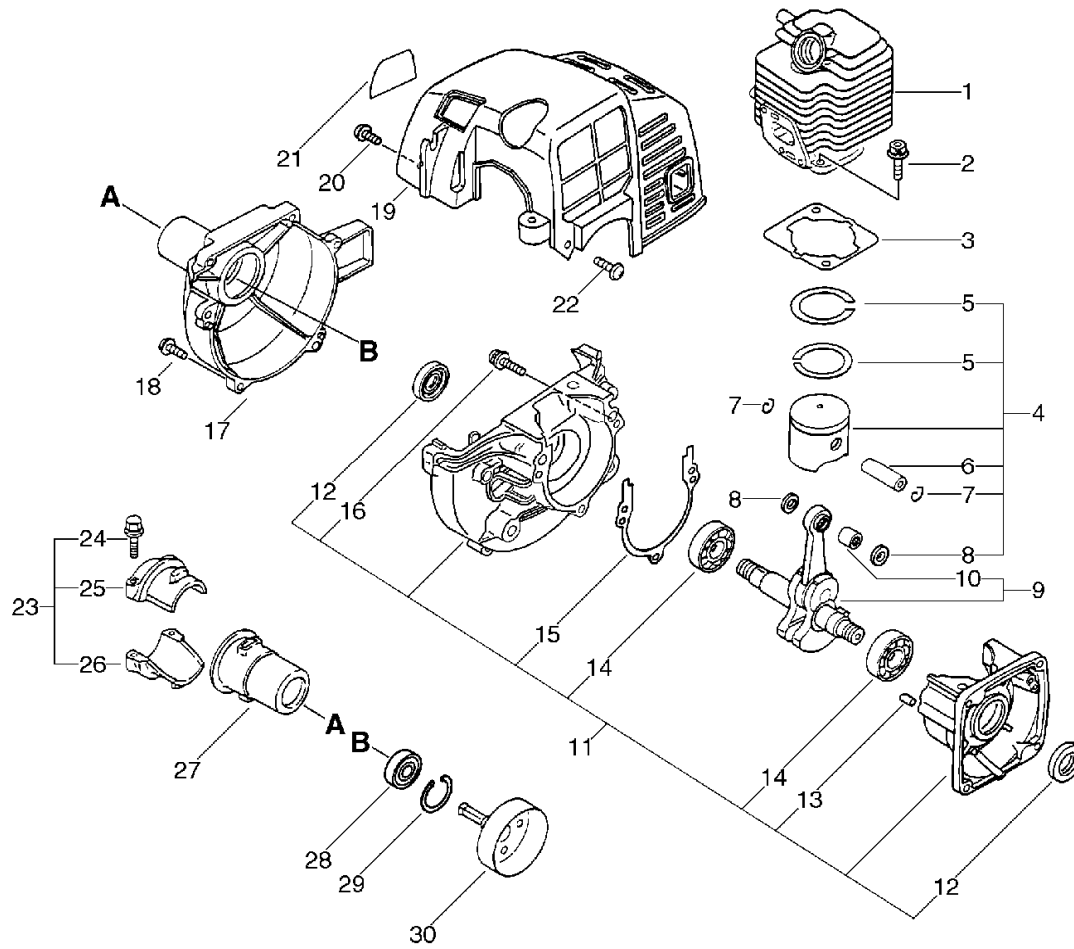
PARTS CATALOG

GRASS-TRIMMER / BRUSHCUTTER

GT-2150_SI(6digits)(35)(36)

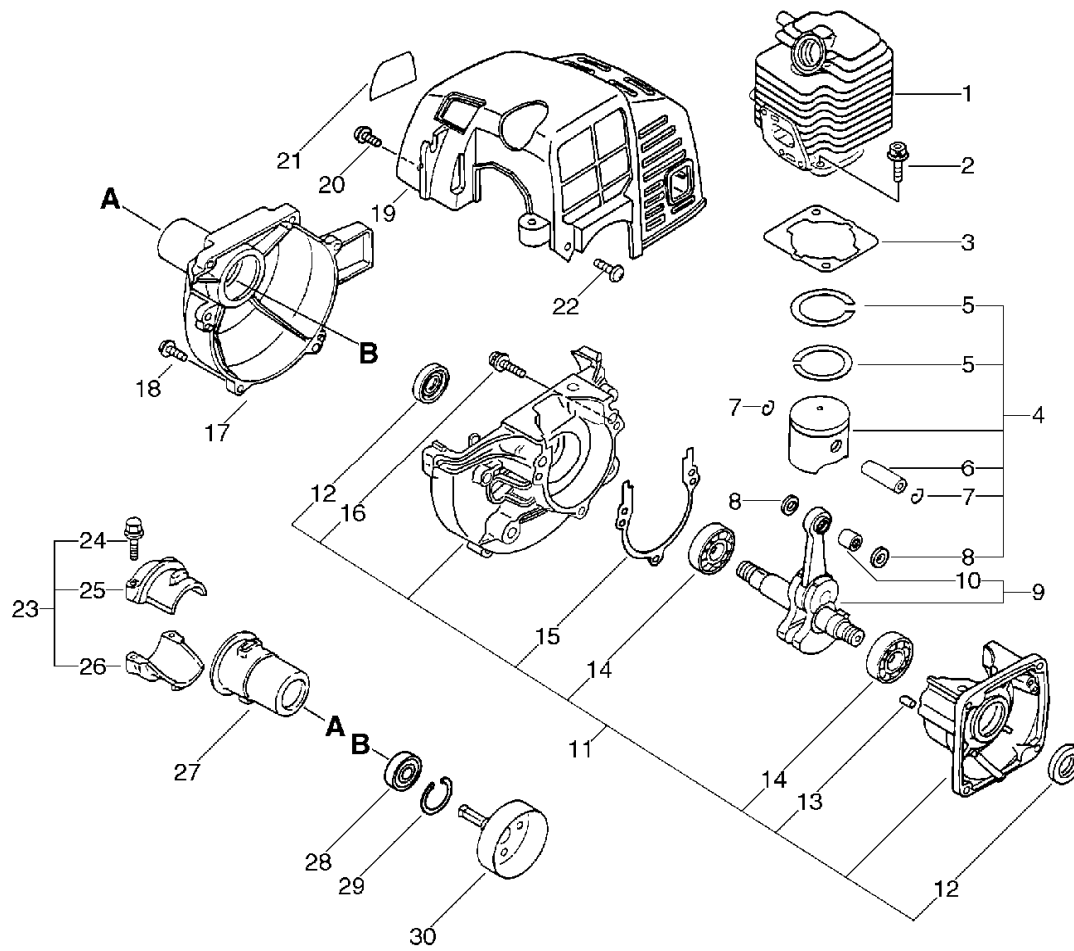
GT-2150_SI(6digits)(35)(36)

1. Cylinder, Crankcase, Piston, Fan Cover



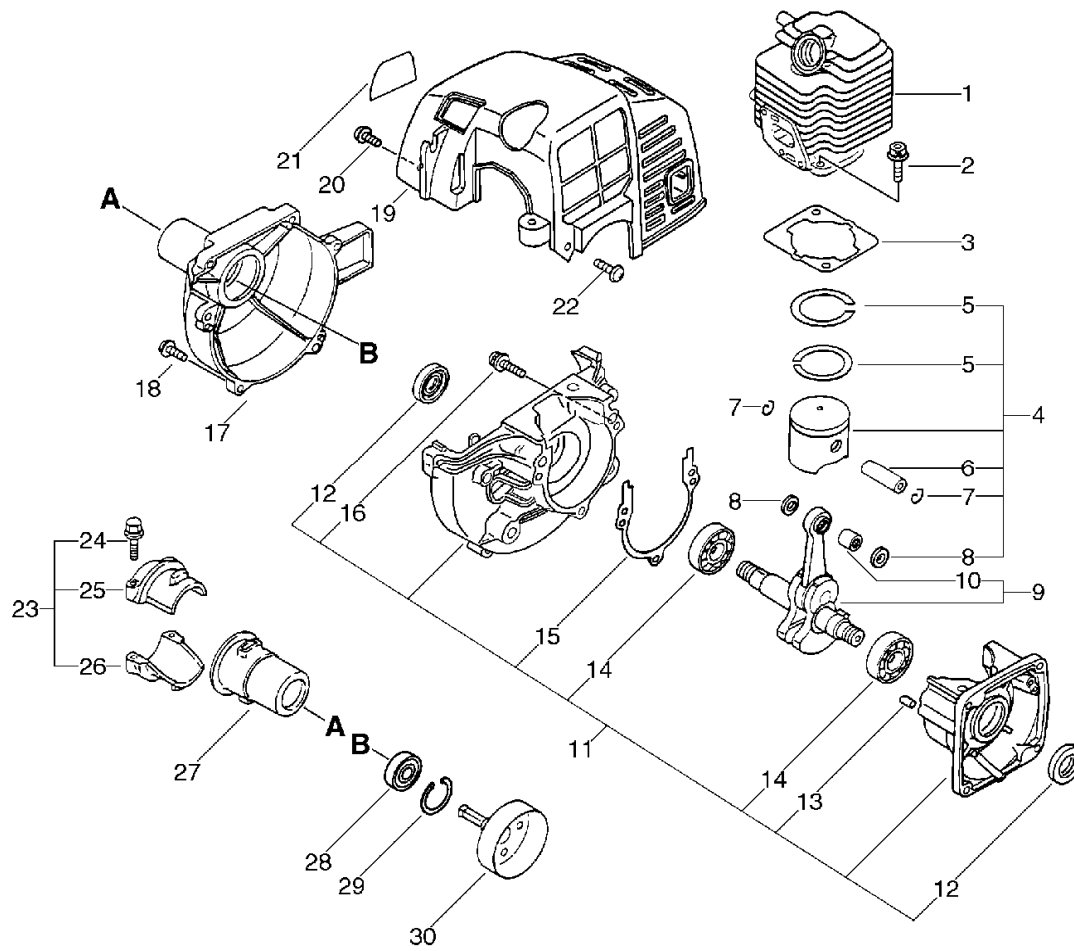
KEY	LV	PART NUMBER	Q'TY	DESCRIPTION	REMARKS	NOTE1	NOTE2
1		101011-06562	1	CYLINDER			
2		900162-05022	2	BOLT, H.S. 5*22	5*22 W,SW		
3		101010-44332	1	GASKET, CYL. BASE			
4		100000-48732	1	PISTON KIT		Sr/Nr 015370 and before/GT-2150	
4		100000-48732	1	PISTON KIT		Sr/Nr 35005300 and before/GT-2150SI	
4		P021-001101	1	PISTON KIT		Sus. by P021-001102	
4		P021-001102	1	PISTON KIT		Sr/Nr 36001001 and after/GT-2150(SI)	
5	+	100011-05330	2	RING, PISTON		Sr/Nr 015370 and before/GT-2150	
5	+	100011-05330	2	RING, PISTON		Sr/Nr 35005300 and before/GT-2150SI	
5	+	A101-000000	2	RING,PISTON		Sr/Nr 36001001 and after/GT-2150(SI)	
6	+	100013-11520	1	PIN, PISTON			
7	+	100015-04630	2	CIRCLIP, PISTON PIN			
8	+	100014-11520	2	SPACER, PISTON PIN			

1. Cylinder, Crankcase, Piston, Fan Cover



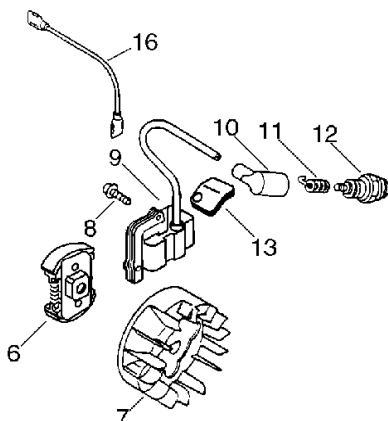
KEY	LV	PART NUMBER	Q'TY	DESCRIPTION	REMARKS	NOTE1	NOTE2
9		100100-44732	1	CRANKSHAFT ASSY		Sus. by A011-000101	
9		100100-44733	1	CRANKSHAFT		Sus. by A011-000101	
9		A011-000101	1	CRANKSHAFT,ASM			
10	+	100012-51230	1	BEARING, NEEDLE	8*12*10	Sus. by V553-000010	
10	+	V553-000030	1	BEARING,NEEDLE 8		Sus. by V553-000010	
10	+	V553-000010	1	BEARING,NEEDLE 8	HK0810		
11		100204-52130	1	CRANKCASE KIT		Sus. by 100204-52132	
11		100204-52131	1	CRANKCASE KIT		Sus. by 100204-52132	
11		100204-52132	1	CRANKCASE KIT			
12	+	100212-42030	2	OILSEAL	ISCD12*22*4.5	Sus. by 100212-42031	
12	+	100212-42031	2	OILSEAL	ISCD 12*22*4.5		
13	+	100215-03930	2	PIN, DOWEL			
14	+	900810-36201	2	BEARING, BALL 6201	6201/C3	Sus. by 94035-36201	
14	+	94035-36201	2	BEARING BALL	6201X3JR2C3		
15	+	100242-42030	1	GASKET, CRANKCASE			
16	+	900162-05028	3	BOLT, H.S. 5*28	5*28 W,SW		
17		101535-44730	1	COVER, FAN			

1. Cylinder, Crankcase, Piston, Fan Cover



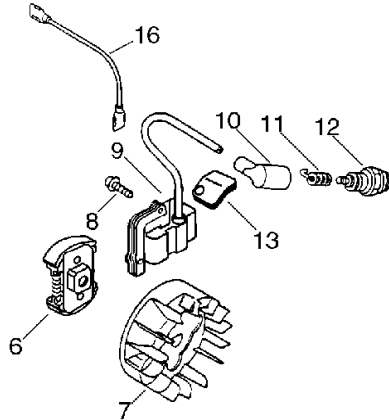
KEY	LV	PART NUMBER	Q'TY	DESCRIPTION	REMARKS	NOTE1	NOTE2
18		900238-04016	4	SCREW 4*16	4*16		
19		101514-42031	1	COVER, CYLINDER			
20		900238-04012	2	SCREW 4*12	4*12		
21		X503-000030	1	LABEL,MODEL		GT-2150	
21		X543-000100	1	LABEL,MODEL	GT-2150SI	GT-2150SI	
22		900238-04016	2	SCREW 4*16	4*16		
23		610903-51030	1	HOLDER KIT			
24	+	900142-05025	2	BOLT 5*25 (W/W,SW)	5*25		
25	+	610922-51030	1	FIXTURE, MAIN PIPE			
26	+	610923-51030	1	FIXTURE, MAIN PIPE			
27		610910-51030	1	CUSHION			
28		900814-06201	1	BEARING, BALL 6201	6201ZZ		
29		900702-00032	1	CIRCLIP 32	CR-32		
30		175005-44331	1	DRUM, CLUTCH			

2. Magneto, Clutch



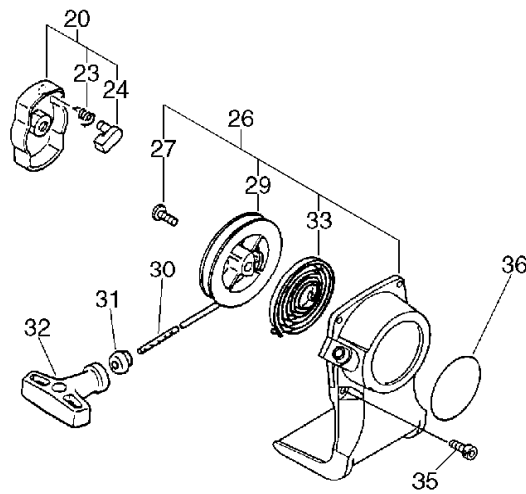
KEY	LV	PART NUMBER	Q'TY	DESCRIPTION	REMARKS	NOTE1	NOTE2
6		175000-52130	1	CLUTCH ASSY		Sus. by 175000-56830	
6		175000-56830	1	CLUTCH ASSY		Sus. by 175000-56831	
7		156801-12360	1	ROTOR, MAGNETO		Sus. by 156801-44731	
7		156801-44731	1	FLYWHEEL			
8		900162-04022	2	BOLT, H.S. 4*22	4*22 W,SW		
9		156601-52130	1	COIL, IGNITION		Sus. by 156601-44732	
9		156601-44731	1	COIL, IGNITION		Sus. by 156601-44732	
9		156601-44732	1	COIL, IGNITION	EMG-32 2605	Sr/Nr 35999999 and before	
9		156601-52130	1	COIL, IGNITION		Sr/Nr 36001001 and after/GT-2150(SI)	
10		159012-01620	1	CAP, SPARK PLUG			
11		159011-03432	1	COIL, SPARK PLUG			
12		159017-10230	1	PLUG, SPARK (RCJ-7Y)	RCJ-7Y	Sr/Nr 015370 and before/GT-2150	
12		159017-10230	1	PLUG, SPARK (RCJ-7Y)	RCJ-7Y	Sr/Nr 35005300 and before/GT-2150SI	

2. Magneto, Clutch



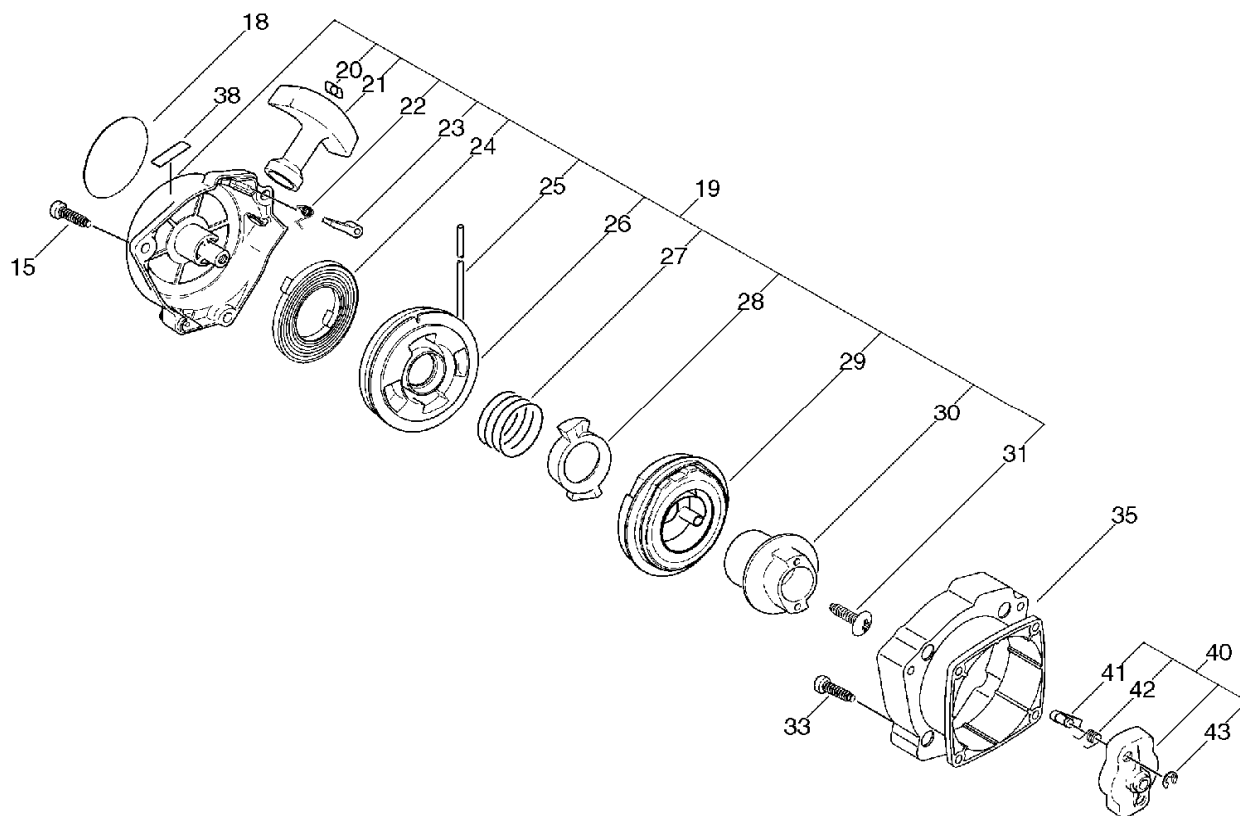
KEY	LV	PART NUMBER	Q'TY	DESCRIPTION	REMARKS	NOTE1	NOTE2
12		159010-10230	1	PLUG, SPARK (BPMR-7A	BPMR-7A	Sr/Nr 36001001 and after/GT- 2150(SI)	
13		150112-42030	1	BUSHING			
16		162010-52830	1	LEAD, GROUND		Sr/Nr 004750 and before	
16		162010-52830	1	LEAD, GROUND		Sr/Nr 36001001 and after/GT- 2150(SI)	

3. Starter(GT-2150)



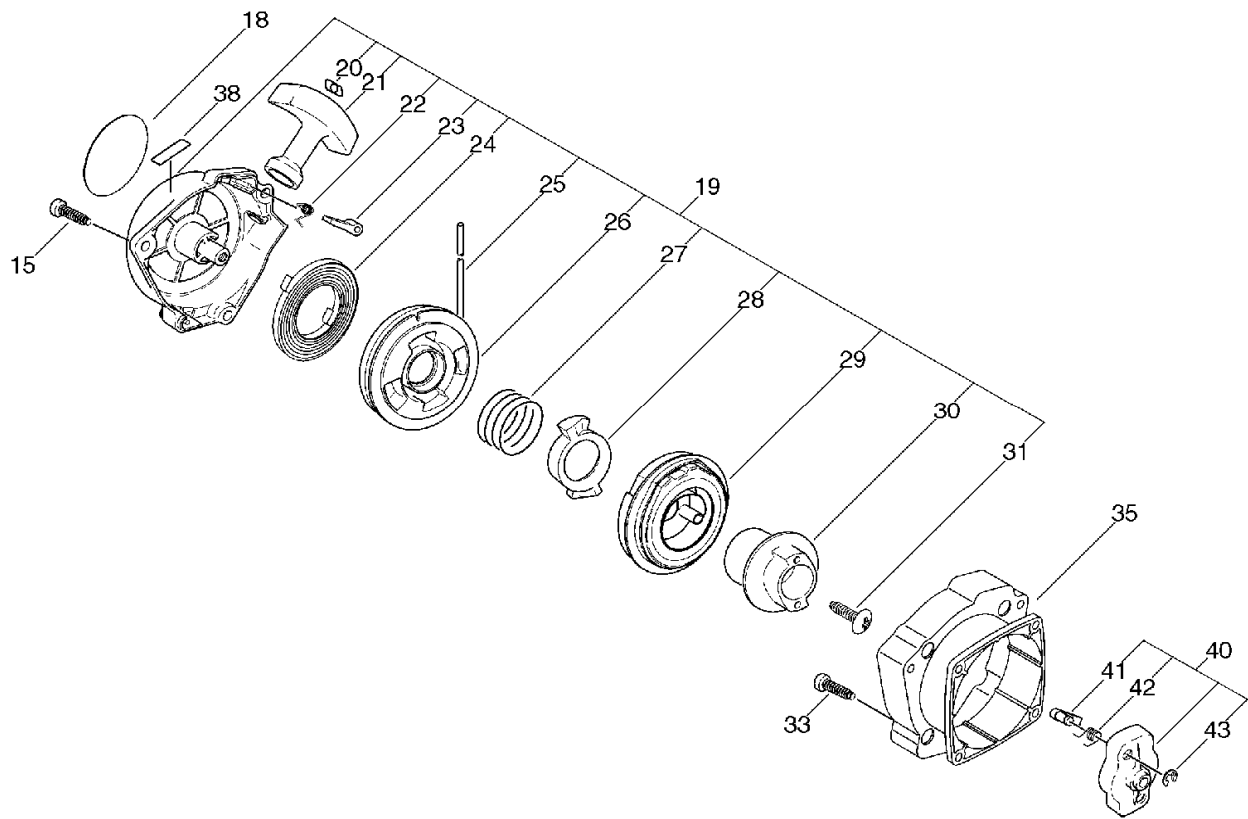
KEY	LV	PART NUMBER	Q'TY	DESCRIPTION	REMARKS	NOTE1	NOTE2
20		177202-44330	1	PAWL ASSY, STARTER		Sus. by 177202-44331/GT-2150	
20		177202-44331	1	PAWL ASM., STARTER		GT-2150	
23	+	177234-42030	1	SPRING, RETURN		GT-2150	
24	+	177218-44330	1	PAWL, STARTER	BLACK	GT-2150	
26		177200-54130	1	STARTER ASSY		GT-2150	
27	+	177236-44330	1	SCREW		GT-2150	
29	+	177215-44430	1	DRUM, STARTER		GT-2150	
30	+	177226-10120	1	ROPE, STARTER	3.0*1000	GT-2150	
31	+	177227-42030	1	GUIDE, ROPE		GT-2150	
32	+	177228-06530	1	GRIP, STARTER		GT-2150	
33	+	177220-42030	1	SPRING, REWIND		GT-2150	
35		900238-04016	2	SCREW 4*16	4*16	GT-2150	
36		890118-49130	1	LABEL, ECHO		GT-2150	

4. Starter(GT-2150SI)



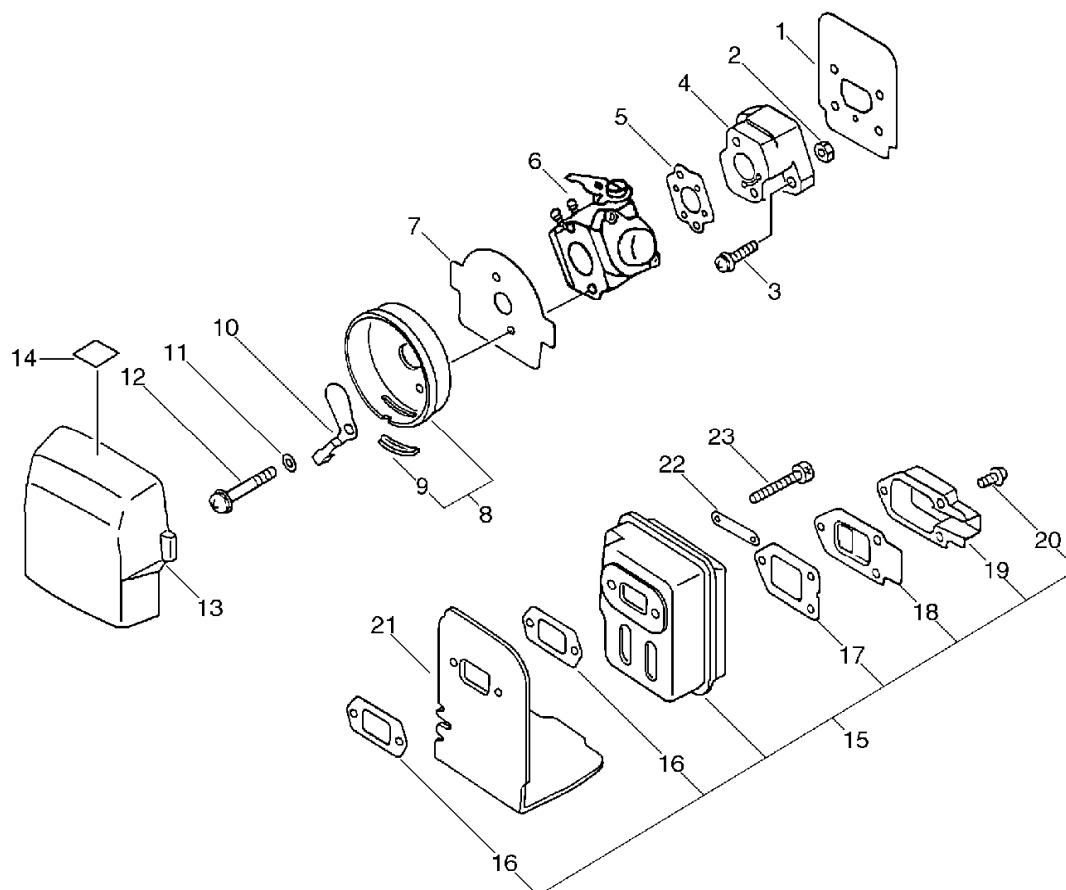
KEY	LV	PART NUMBER	Q'TY	DESCRIPTION	REMARKS	NOTE1	NOTE2
15		900253-05020	3	SCREW 5*20	5*20	GT-2150SI	
18		X502-000031	1	LABEL,ECHO		Sus. by X502-000032/GT-2150SI	
18		X502-000032	1	LABEL,ECHO		GT-2150SI	
19		A051-000290	1	STARTER,RECOIL		Sus. by A051-000292/GT-2150SI	
19		A051-000291	1	STARTER,RECOIL		Sus. by A051-000292/GT-2150SI	
19		A051-000292	1	STARTER,RECOIL		GT-2150SI	
20	+	177246-11120	1	CLIP, STARTER ROPE		GT-2150SI	
21	+	177228-27030	1	GRIP, STARTER		GT-2150SI	
22	+	P022-004610	2	SPRING, RETURN		GT-2150SI	
23	+	P022-004620	2	PAWL, STARTER		GT-2150SI	
24	+	P022-004680	1	SPRING, SPIRAL		GT-2150SI	
25	+	P022-004600	1	ROPE,STARTER	3.0*920	GT-2150SI	
26	+	P022-004690	1	REEL,ROPE		GT-2150SI	
27	+	P022-004660	1	SPRING, RETURN		GT-2150SI	
28	+	P022-004670	1	PAWL, STARTER		GT-2150SI	
29	+	P022-004650	1	COMPLETE,SPRING		GT-2150SI	
30	+	P022-004640	1	PLATE,CAM		GT-2150SI	
31	+	P022-004630	1	SCREW		GT-2150SI	
33		900162-04016	2	BOLT, H.S. 4*16	4*16 W,SW	Sus. by 900238-04016	

4. Starter(GT-2150SI)



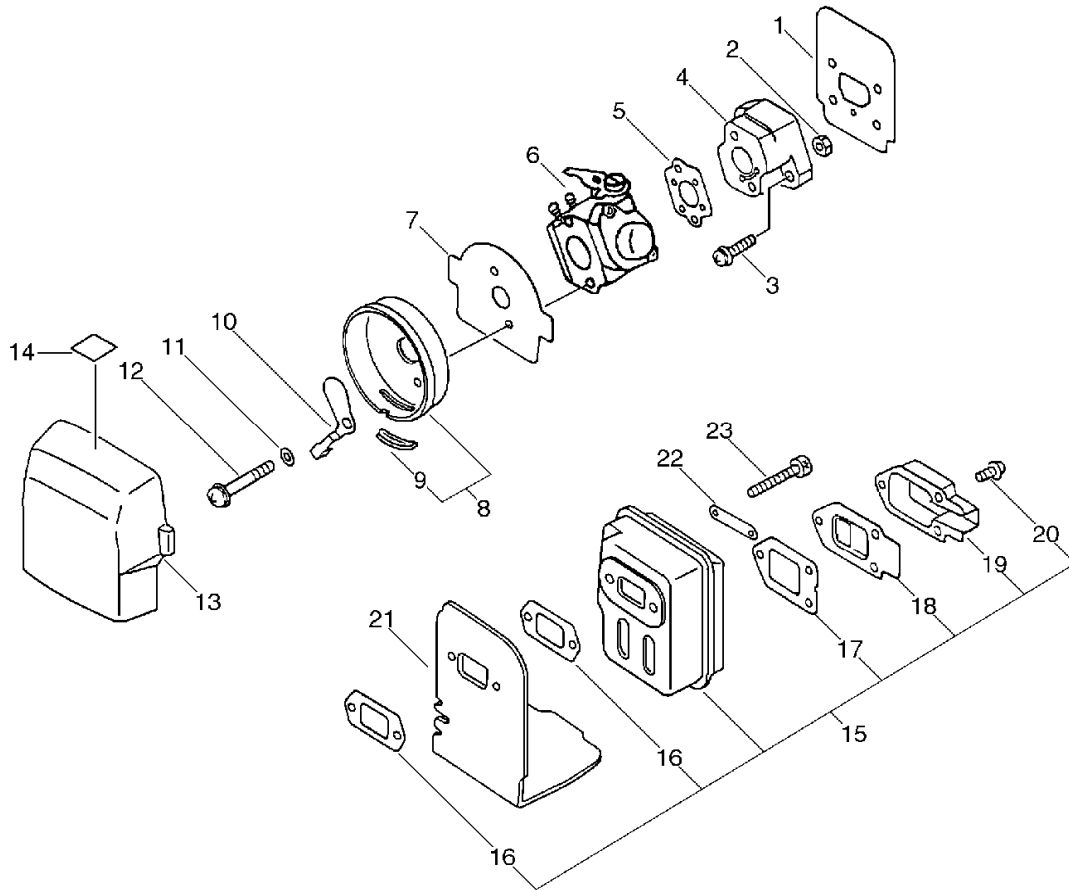
KEY	LV	PART NUMBER	Q'TY	DESCRIPTION	REMARKS	NOTE1	NOTE2
33		900238-04016	2	SCREW 4*16	4*16	GT-2150SI	
35		V376-000360	1	SPACER		Sus. by V376-000361	
35		V376-000361	1	SPACER		GT-2150SI	
38		X505-000620	1	LABEL, CAUTION		GT-2150SI	
40		A052-000130	1	PULLEY, ASM STARTER		GT-2150SI	
41	+	P022-004740	2	PAWL, STARTER		GT-2150SI	
42	+	177234-42030	2	SPRING, RETURN		GT-2150SI	
43	+	P022-002100	2	E-RING	4	GT-2150SI	

5. Air Cleaner, Muffler



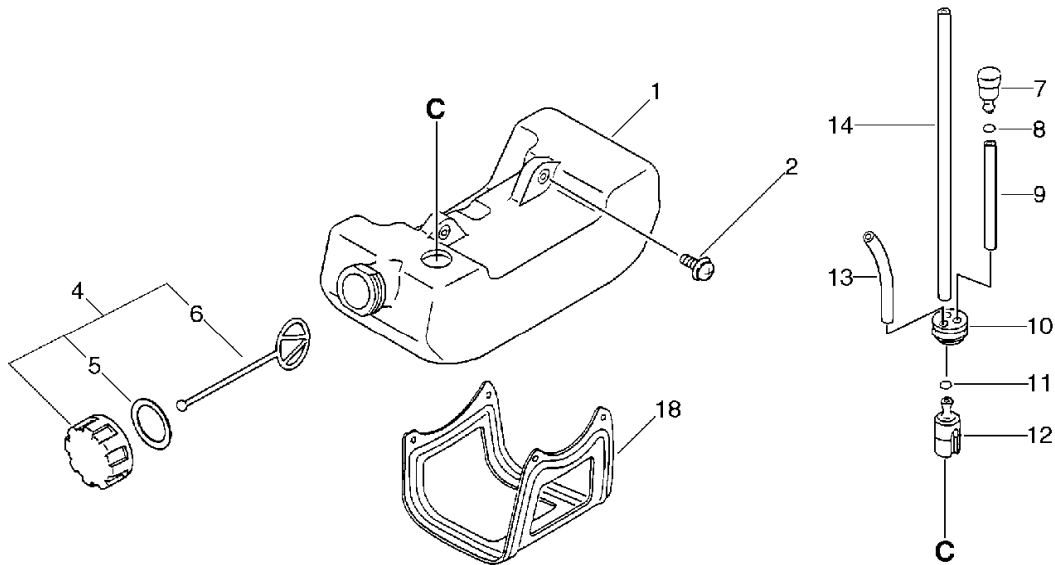
KEY	LV	PART NUMBER	Q'TY	DESCRIPTION	REMARKS	NOTE1	NOTE2
1		130010-42032	1	GASKET,INTAKE			
2		900500-00005	2	NUT 5	5		
3		900238-05020	2	SCREW 5*20	5*20		
4		130017-42031	1	INSULATOR, INTAKE			
5		130016-42031	1	GASKET, INTAKE			
6		125200-52431	1	CARBURETOR	C1U-K53	Sus. by 125200-52433	
6		125200-52432	1	CARBURETOR	C1U-K53A	Sus. by 125200-52433	
6		125200-52433	1	CARBURETOR	C1U-K53B		
7		130319-42030	1	FIXTURE,AIR CLEANER			
8		130301-42030	1	CASE, AIR CLEANER			
9	+	178810-42030	1	GROMMET, CHOKE			
10		178515-46731	1	SHUTTER, CHOKE	φ3.0		
11		178516-00830	2	SPACER	5.2*8*0.8T		
12		900242-05057	2	SCREW 5*57	5*57		
13		130310-46730	1	FILTER, AIR			
14		890169-47530	1	LABEL, ADJUSTING			
15		P021-000050	1	MUFFLER ASY		Sus. by P021-000052	
15		P021-000051	1	MUFFLER ASY		Sus. by P021-000052	
15		P021-000052	1	MUFFLER ASY			
16	+	145510-42031	2	GASKET, MUFFLER		Sus. by V104-000160	
16	+	V104-000160	2	GASKET,EXHAUST			

5. Air Cleaner, Muffler



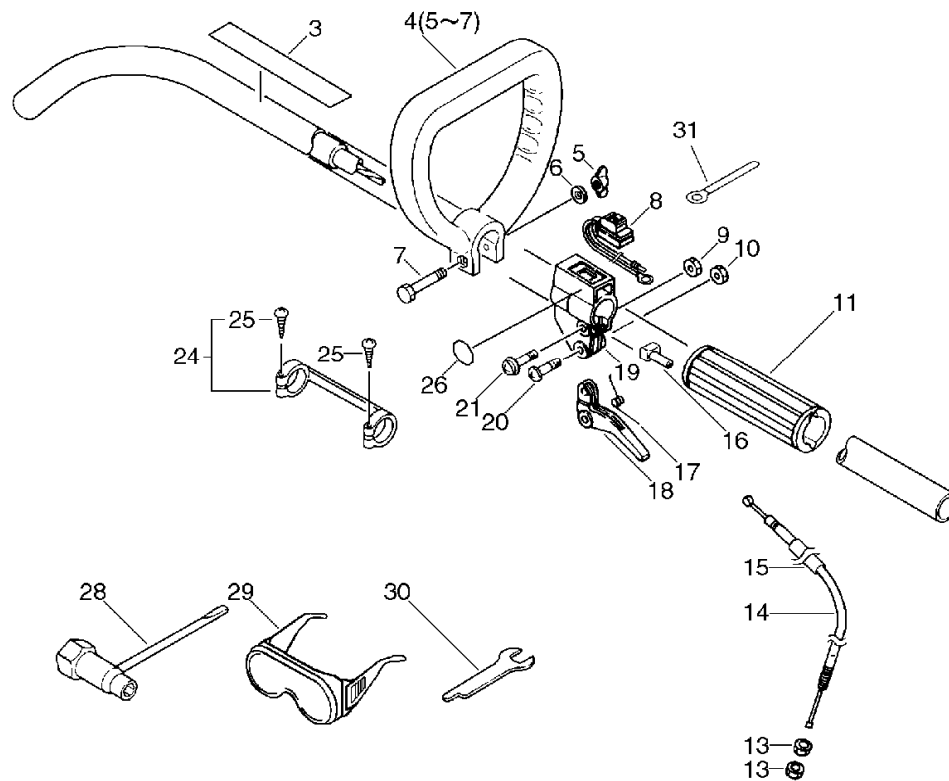
KEY	LV	PART NUMBER	Q'TY	DESCRIPTION	REMARKS	NOTE1	NOTE2
17	+	145866-42031	1	GASKET, MUFFLER LID			
18	+	145876-42030	1	LID, MUFFLER (B)			
19	+	145863-42030	1	HOLDER, SCREEN			
20	+	900242-04010	3	SCREW 4*10	4*10		
21		145631-42030	1	COVER, MUFFLER		Sus. by A320-000251	
21		A320-000250	1	COVER,MUFFLER		Sus. by A320-000251	
21		A320-000251	1	COVER,MUFFLER			
22		900600-00005	2	WASHER 5	5	Sus. by 145642-04930	
22		145642-04930	1	WASHER			
23		900105-05055	2	BOLT, H.S. 5*55	5*55		

6. Fuel Tank



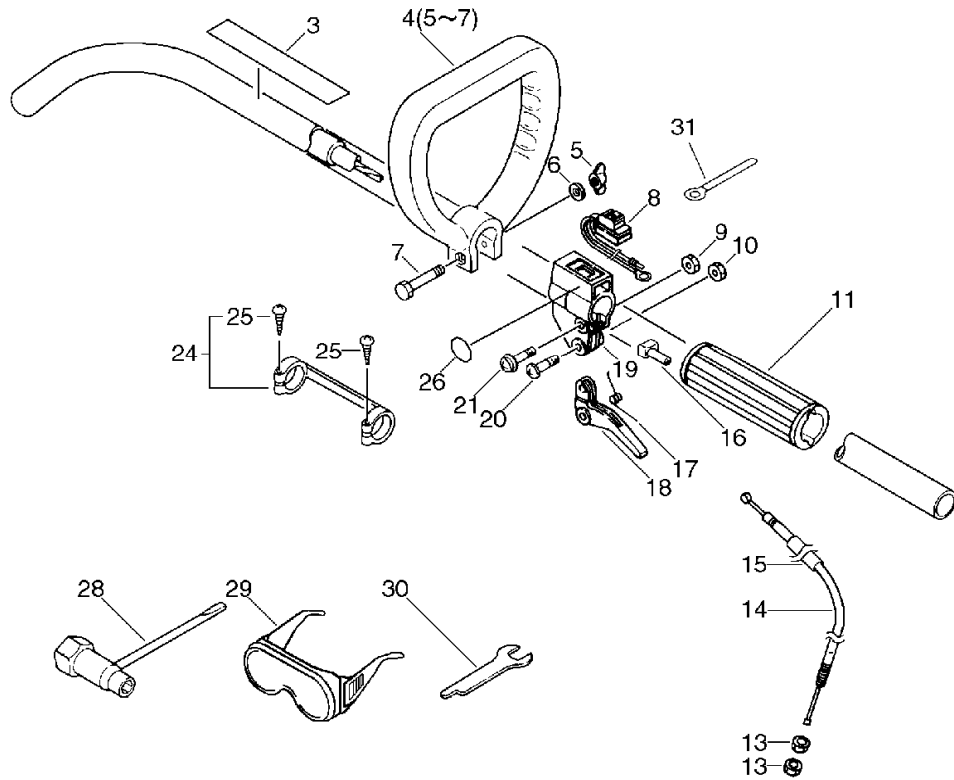
KEY	LV	PART NUMBER	Q'TY	DESCRIPTION	REMARKS	NOTE1	NOTE2
1		131005-44331	1	TANK, FUEL		Sus. by 131005-44332	
1		131005-44332	1	TANK, FUEL			
2		900243-05016	2	SCREW 5*16	5*16		
4		131004-55530	1	CAP ASSY, FUEL TANK			
5	+	131016-55830	1	GASKET, FUEL CAP			
6	+	131051-56030	1	CLIP, FUEL CAP	100L		
7		131300-56430	1	VALVE, CHECK			
8		130111-00530	1	CLIP	5.5		
9		131312-44330	1	PIPE, 3*5*70L	3*5*70L NBR	Sus. by V471-001200	
9		V471-001200	1	PIPE	3*5*70 NBR		
10		132115-46730	1	GROMMET, FUEL			
11		132013-09820	1	CLIP	6MM		
12		131205-07320	1	STRAINER, FUEL			
13		132010-56330	1	PIPE 3*6*90	3*6*90 YL		
14		132010-13930	1	PIPE, FUEL	3*5*180L NBR	Sus. by V471-001190	
14		V471-001190	1	PIPE	3*5*180 NBR		
18		305110-42030	1	STAND (BL)		GT-2150SI	

7. Handle, Tools(Sr/Nr 36006724 and before)



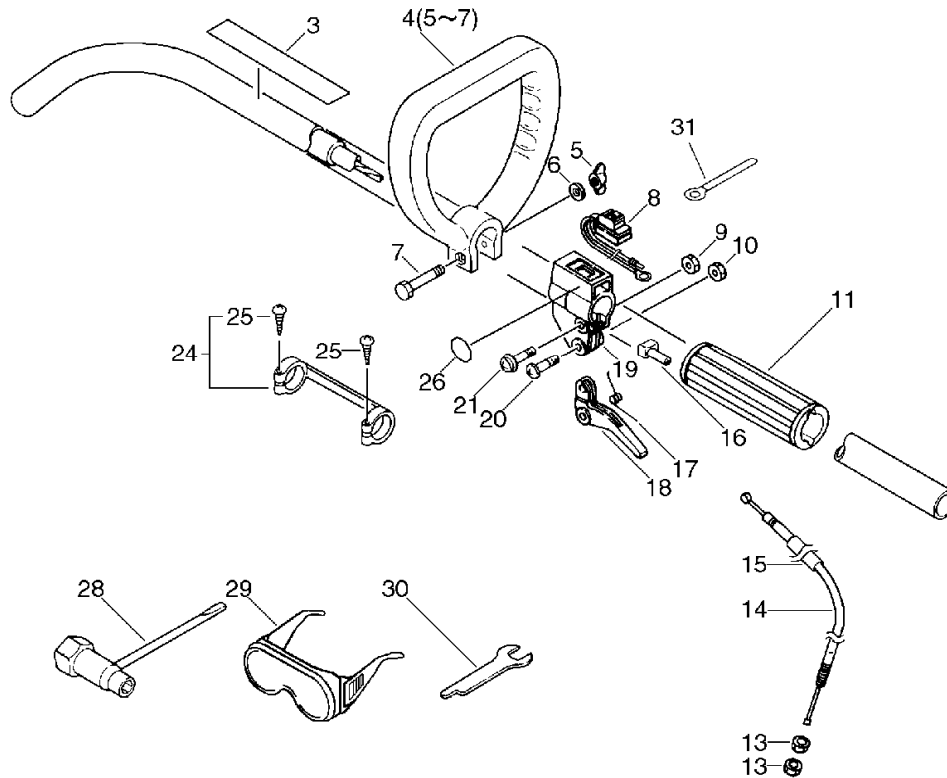
KEY	LV	PART NUMBER	Q'TY	DESCRIPTION	REMARKS	NOTE1	NOTE2
3		890617-63630	1	LABEL,CAUTION		Sus. by X505-000140	
3		X505-000140	1	LABEL,CAUTION			
4		351600-09630	1	HANDLE ASS'Y			
5	+	900525-00006	1	NUT, WING 6	BN6		
6	+	900600-00006	1	WASHER 6	6		
7	+	900100-06040	1	BOLT 6*40	6*40		
8		163400-49230	1	SWITCH, IGNITION		Sus. by A440-001020	
9		900500-00005	1	NUT 5	5		
10		900560-00005	1	NUT, LOCK 5	5		
11		351111-09630	1	GRIP		Sus. by 351111-09631	
11		351111-09631	1	GRIP, HANDLE			
13		900502-00006	2	NUT 6 (3N)	3N6		
14		178001-56730	1	CABLE, THROTTLE			
15		178127-24030	1	TUBE	10*11*160	Sus. by V475-004020	
16		178048-05630	1	HOLDER, THR. WIRE			
17		178043-06930	1	SPRING, THR. RETURN			
18		178010-48731	1	CONTROL, THROTTLE			
19		C470-000000	1	HOLDER,TRIGGER		Sus. by P021-005550	
19		P021-005550	1	HOLDER,TRIGGER SET			
20		178110-05330	1	SCREW			
21		900242-05028	1	SCREW 5*28	5*28		

7. Handle, Tools(Sr/Nr 36006724 and before)



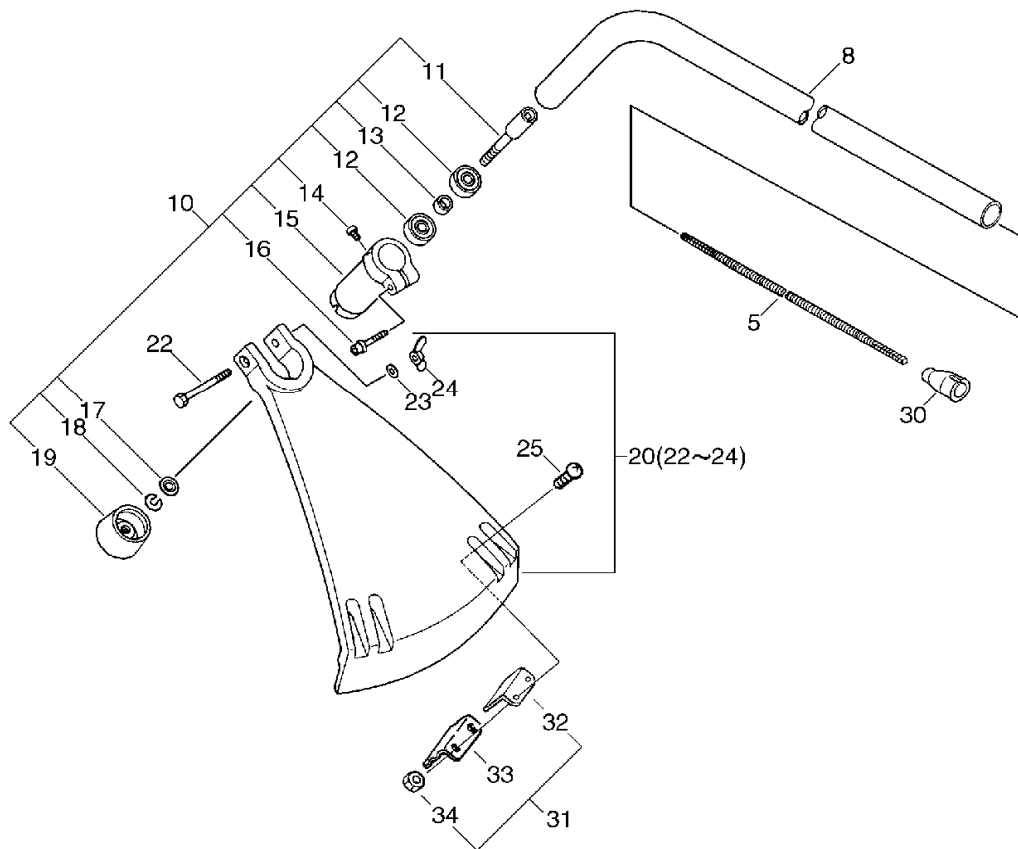
KEY	LV	PART NUMBER	Q'TY	DESCRIPTION	REMARKS	NOTE1	NOTE2
24		610281-52730	1	COLLER			
25	+	900253-04018	2	SCREW TAPPING 4*18	4*18		
26		890157-39130	1	LABEL, SWITCH			
28		895410-07630	1	WRENCH, W/S. DRIVER			
29		899580-68730	1	SAFETY GLASSES		Sus. by X690-000030	
29		X690-000030	1	GOGGLE			
30		895015-26630	1	SPANNER 10		Sus. by 895015-09631	
30		895015-09631	1	SPANNER 10			

8. Handle, Tools(Sr/Nr 36006725 and after)



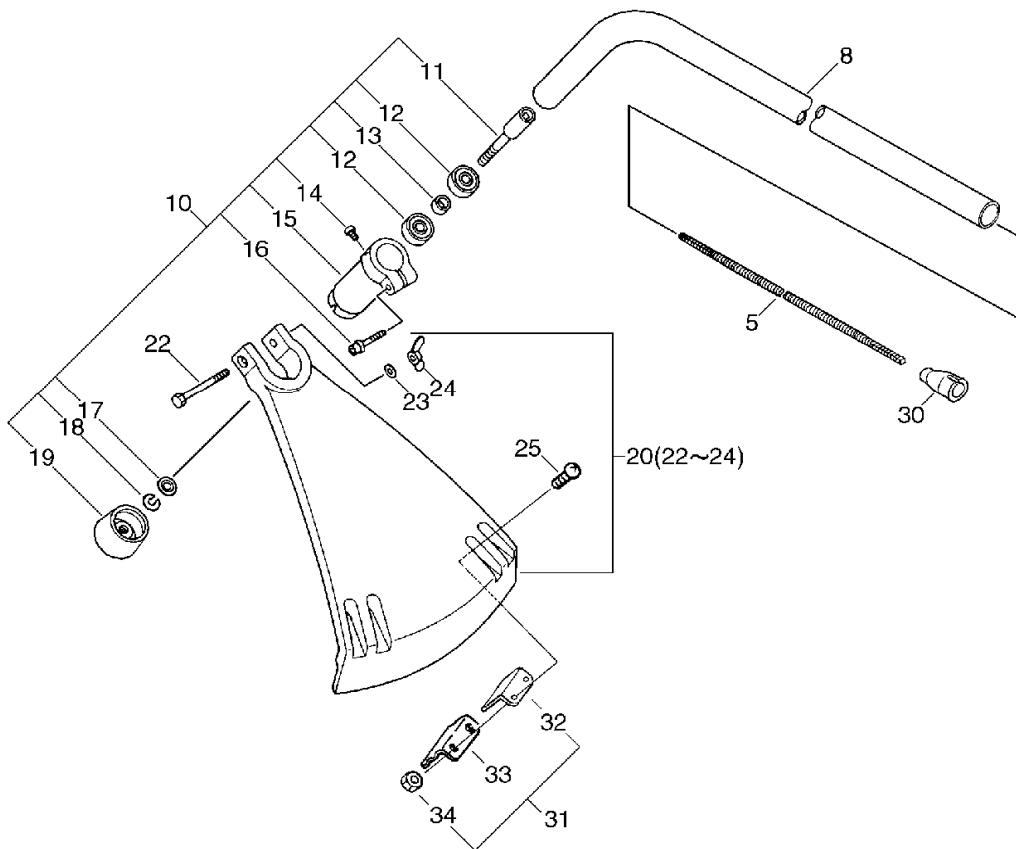
KEY	LV	PART NUMBER	Q'TY	DESCRIPTION	REMARKS	NOTE1	NOTE2
3		X505-000140	1	LABEL,CAUTION			
4		351600-09630	1	HANDLE ASS'Y			
5	+	900525-00006	1	NUT, WING 6	BN6		
6	+	900600-00006	1	WASHER 6	6		
7	+	900100-06040	1	BOLT 6*40	6*40		
8		A440-001020	1	SWITCH, ON OFF			
9		900500-00005	1	NUT 5	5		
10		900560-00005	1	NUT, LOCK 5	5		
11		351111-09631	1	GRIP, HANDLE			
13		900502-00006	2	NUT 6 (3N)	3N6		
14		178001-56730	1	CABLE, THROTTLE			
15		V475-004020	1	TUBE	10*11*215		
16		178048-05630	1	HOLDER, THR. WIRE			
17		178043-06930	1	SPRING, THR. RETURN			
18		178010-48731	1	CONTROL, THROTTLE			
19		P021-005550	1	HOLDER,TRIGGER SET			
20		178110-05330	1	SCREW			
21		900242-05028	1	SCREW 5*28	5*28		
24		610281-52730	1	COLLER			
25	+	900253-04018	2	SCREW TAPPING 4*18	4*18		
26		890157-39130	1	LABEL, SWITCH			
28		895410-07630	1	WRENCH, W/S. DRIVER			
29		X690-000030	1	GOGGLE			
30		895015-09631	1	SPANNER 10			
31		159112-22131	1	CLIP			

9. Main Pipe, Shield



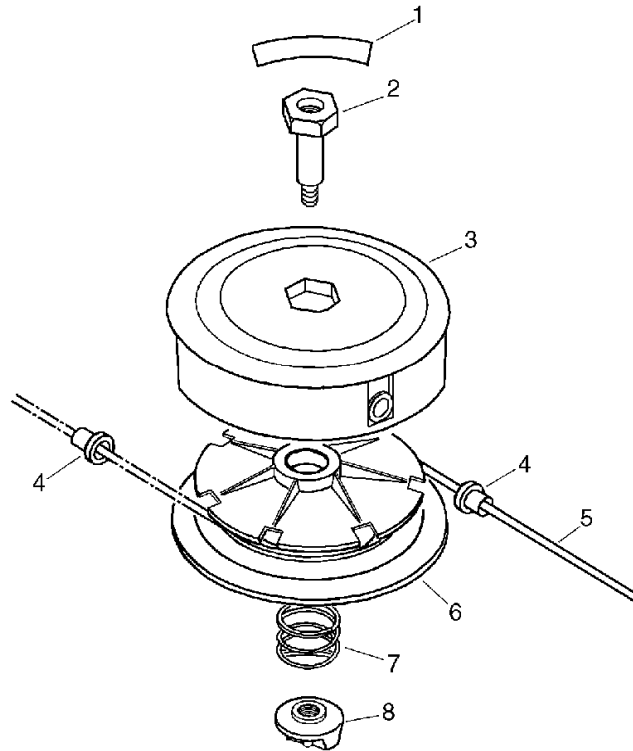
KEY	LV	PART NUMBER	Q'TY	DESCRIPTION	REMARKS	NOTE1	NOTE2
5		C506-000010	1	SHAFT,FLEXIBLE		Sus. by C506-000020	
5		C506-000020	1	SHAFT,FLEXIBLE	5.15*L1365		
8		P021-000140	1	MAIN PIPE ASY		Sus. by P021-003520	
8		P021-003520	1	MAIN PIPE ASY			
10		610400-47930	1	HOUSING ASSY, GEAR			
11	+	610310-47930	1	SHAFT, P.T.O.			
12	+	900802-00608	2	BEARING, BALL 608	608DDU(LLU)		
13	+	610315-47930	1	SPACER, DRIVEN SHAFT		Sus. by V355-000040	
13	+	V355-000040	1	COLLAR,8	8X5X(T0.9)		
14	+	91030-05010	1	BOLT	5*10L		
15	+	610410-47930	1	CASE, GEAR			
16	+	91032-05030	1	BOLT	5*30L W/SW		
17	+	610318-47930	1	WASHER, ADJUSTMENT			
18	+	900605-00008	1	WASHER, SPRING 8	8		
19	+	610313-47930	1	PLATE, ADAPTER			
20		699000-47930	1	SHIELD ASSY			
22	+	900100-06045	1	BOLT 6*45	6*45		
23	+	900600-00006	1	WASHER 6	6		
24	+	900525-00006	1	NUT, WING 6	BN6		
25		900242-05014	2	SCREW 5*14	5*14		
30		A562-000000	1	STOPPER,PIPE			
31		P021-006080	1	KNIFE, CODE KIT			

9. Main Pipe, Shield



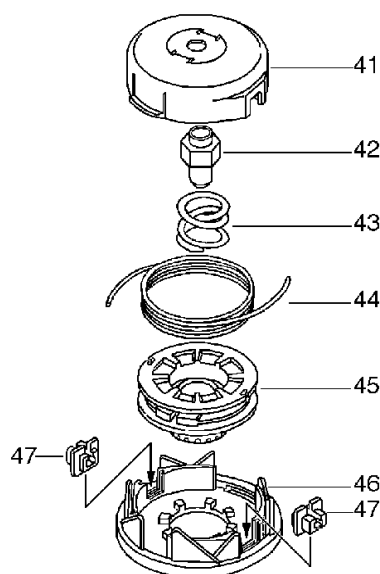
KEY	LV	PART NUMBER	Q'TY	DESCRIPTION	REMARKS	NOTE1	NOTE2
32		699016-23231	1	CUTTER		Sus. by P021-006080	
32	+	699016-44330	1	CUTTER			
33		699212-23230	1	PROTECTOR		Can not be used on P021-006080	
34	+	900500-00005	2	NUT 5	5		

10. Nylon Line Cutting Head M93(Sr/Nr 006100and before)



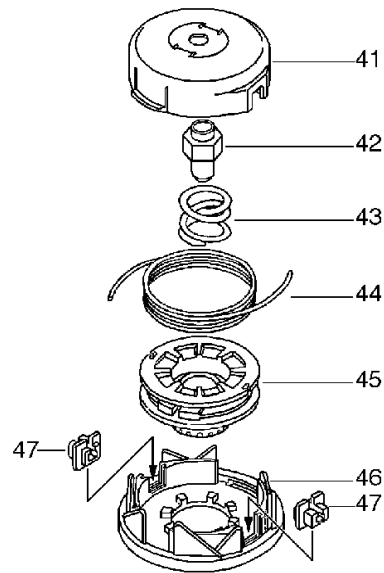
KEY	LV	PART NUMBER	Q'TY	DESCRIPTION	REMARKS	NOTE1	NOTE2
1		890093-52730	1	LABEL, CAUTION		Sr/Nr 006100 and before	
2		P022-000070	1	ADAPTER	M8*1.25 RIGHT	Sr/Nr 006100 and before	
3		P022-000080	1	HOUSING		Sr/Nr 006100 and before	
4		P022-000090	2	GROMMET		Sr/Nr 006100 and before	
5		696215-08230	1	CORD, NYLON (2.4*5M)		Sr/Nr 006100 and before	
6		P022-000100	1	HOUSING		Sr/Nr 006100 and before	
7		P022-000110	1	SPRING		Sr/Nr 006100 and before	
8		P022-000120	1	KNOB		Sr/Nr 006100 and before	

11. Nylon Line Cutting Head(Sr/Nr 006101 and after)



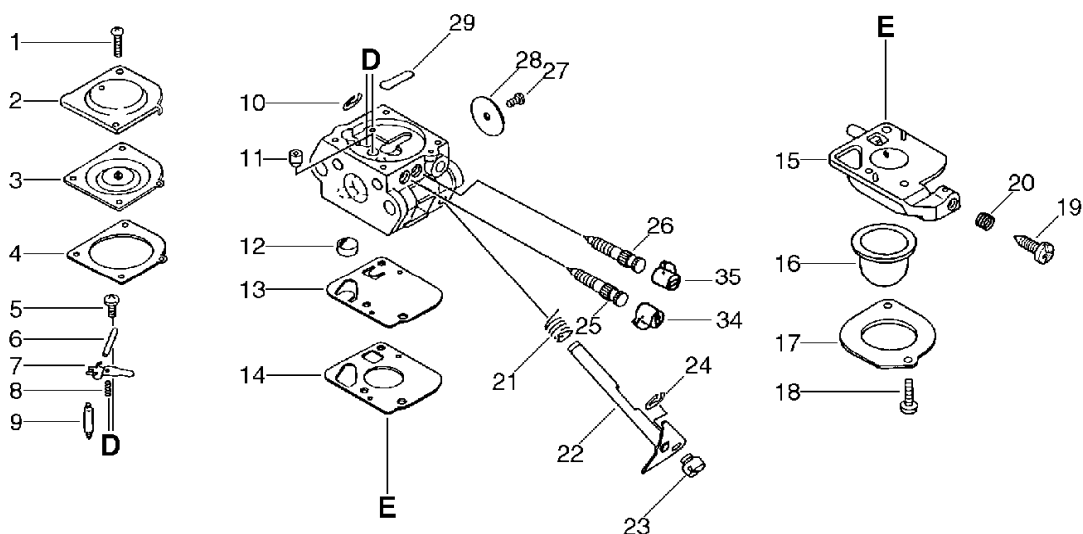
KEY	LV	PART NUMBER	Q'TY	DESCRIPTION	REMARKS	NOTE1	NOTE2
		X047-000060	1	CUTTER,ASM LINE	DS-3/8 R	Sus. by X047-000242	
		X047-000170	1	CUTTER,ASM LINE	F4/8R M8R	Sus. by X047-000242	
		X047-000171	1	CUTTER,ASM LINE	F4/8R M8R	Sus. by X047-000242	
		X047-000240	1	CUTTER,ASM LINE	F4/8 M8R サイレント	Sus. by X047-000242	
		X047-000241	1	CUTTER,ASM LINE	F4/8R サイレント 2.4	Sus. by X047-000242	
		X047-000242	1	CUTTER,ASM LINE	F4/8R	Sr/Nr 006101 and after	
41	+	X470-000010	1	DRUM,REEL		Sus. by P022-003320	
41	+	P022-002900	1	HOUSING		Sus. by P022-003320	
41	+	P022-003320	1	HOUSING		Sr/Nr 006101 and after	
42	+	P022-001280	1	NUT	DS-3/8R	Sr/Nr 006101 and after	
43	+	P022-001290	1	SPRING	DS-3/8R	Sr/Nr 006101 and after	
44	+	P022-001230	1	NYLON CODE		Sus. by P022-006570	
44	+	P022-006190	1	NYLON CODE	3.0*2M	Sus. by P022-006570	

11. Nylon Line Cutting Head(Sr/Nr 006101 and after)



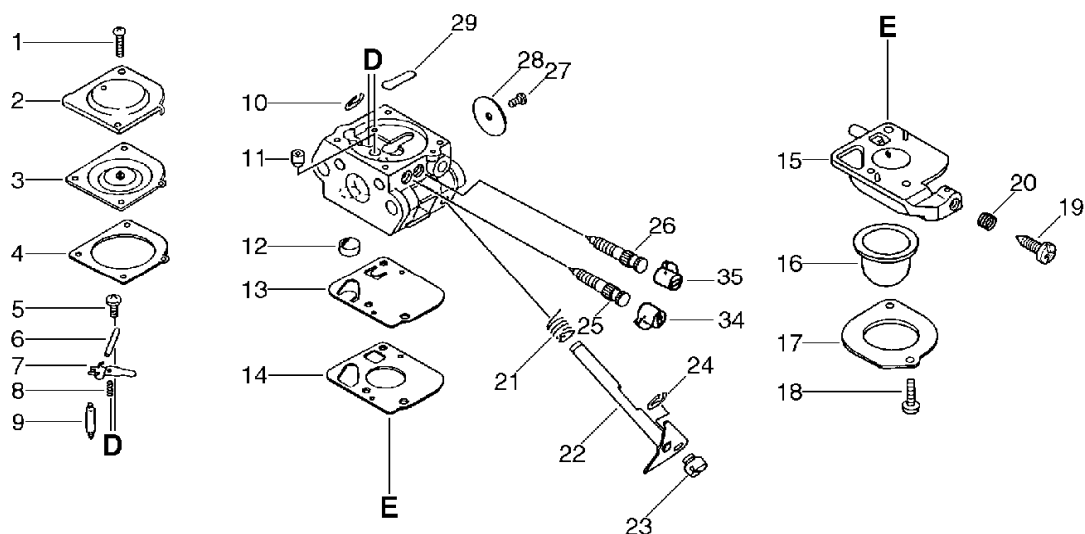
KEY	LV	PART NUMBER	Q'TY	DESCRIPTION	REMARKS	NOTE1	NOTE2
44	+	P022-006570	1	NYLON CODE	サilentSライン 2.4*2M	Sr/Nr 006101 and after	
45	+	P022-001300	1	BOBBIN	DS-3/8R	Sr/Nr 006101 and after	
46	+	P022-001240	1	COVER	DS-3/10	Sus. by P022- 003330	
46	+	P022-002860	1	COVER		Sus. by P022- 003330	
46	+	P022-003330	1	COVER		Sr/Nr 006101 and after	
47	+	P022-000710	2	EYELET	T4	Sr/Nr 006101 and after	

12. Carburetor



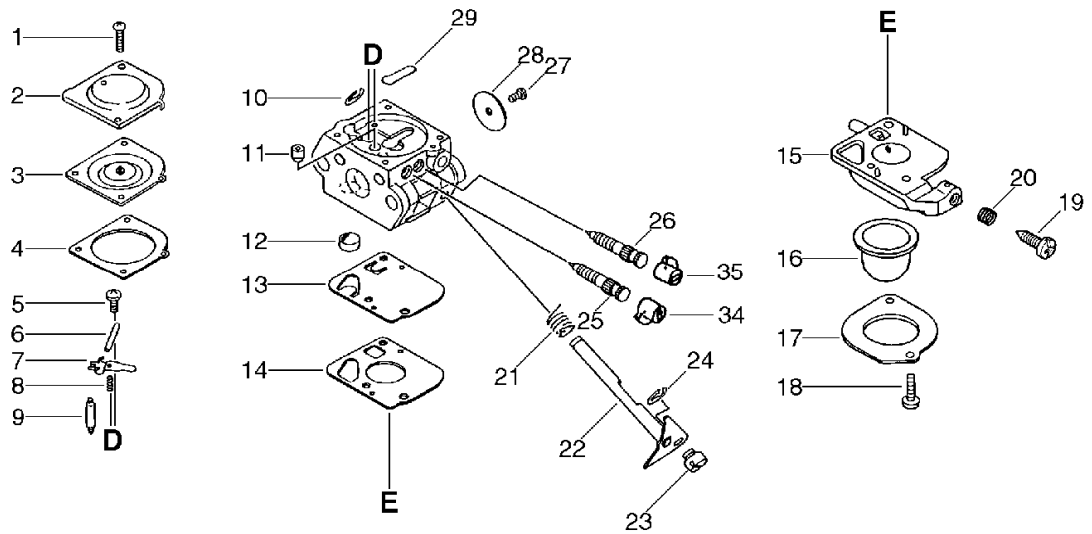
KEY	LV	PART NUMBER	Q'TY	DESCRIPTION	REMARKS	NOTE1	NOTE2
		125200-52431	1	CARBURETOR	C1U-K53	Sus. by 125200-52433	
		125200-52432	1	CARBURETOR	C1U-K53A	Sus. by 125200-52433	
		125200-52433	1	CARBURETOR	C1U-K53B		
1	+	125344-52130	2	SCREW			
2	+	125342-13210	1	COVER, DIAPHRAGM		Sus. by 125342-52130	
2	+	125342-52130	1	COVER, DIAPHRAGM			
3	+	125341-49030	1	DIAPHRAGM			
4	+	125340-51030	1	GASKET, DIAPHRAGM			
5	+	125339-42030	1	SCREW			
6	+	125338-13930	1	PIN, METERING ARM			
7	+	125323-42030	1	LEVER, METERING			
8	+	125322-42030	1	SPRING, COIL		Sus. by 125322-11520	
8	+	125322-11520	1	SPRING, COIL			
9	+	125337-06960	1	VALVE, INLET NEEDLE			
10	+	125327-15130	1	CLIP			
11	+	125376-49030	1	NOZZLE, CHACK VALVE		Sus. by P005-001050	
11	+	P005-001050	1	NOZZLE, CHECK VALVE			
12	+	125326-42030	1	STRAINER			
13	+	125312-12820	1	DIAPHRAGM, FUEL PUMP			
14	+	125325-13310	1	GASKET, PUMP			
15	+	P005-000590	1	BASE, ASY PRIMER			

12. Carburetor



KEY	LV	PART NUMBER	Q'TY	DESCRIPTION	REMARKS	NOTE1	NOTE2
16	+	125381-08660	1	PUMP, PRIMING			
17	+	125363-11610	1	RING			
18	+	125310-11610	2	SCREW			
19	+	125334-06960	1	SCREW, THROTTLE ADJUST			
20	+	125333-06960	1	SPRING, IDLE ADJUSTER			
21	+	125313-42030	1	SPRING, THRT. RETURN			
22	+	125317-49030	1	SHAFT, THROTTLE		Sr/Nr 005250 and before	
22	+	P005-000390	1	SHAFT, THROTTLE		Sr/Nr 005251 and after	
23	+	125372-42030	1	SWIVEL			
24	+	125327-13930	1	CLIP			
25	+	125320-52430	1	NEEDLE, HIGH SPEED		Can be used on 125200-52431,52432	
25	+	P005-001710	1	SCREW, MAIN MIXTURE		Can be used on 125200-52433 only	
26	+	125318-52430	1	NEEDLE, IDLE		Can be used on 125200-52431,52432	
26	+	P005-001720	1	SCREW, IDLE MIXTURE		Can be used on 125200-52433 only	
27	+	125314-13930	1	SCREW	3*4		
28	+	125316-49030	1	VALVE, THROTTLE			

12. Carburetor



KEY	LV	PART NUMBER	Q'TY	DESCRIPTION	REMARKS	NOTE1	NOTE2
29	+	125345-15130	1	PLUG, WELCH			
34		A259-000030	1	CAP,LIMITER		Sr/Nr 36001001 and after/GT- 2150(SI)	
35		125329-09860	1	LIMITER, MIXTURE		Sr/Nr 36001001 and after/GT- 2150(SI)	

13. Repair Kit

KEY	LV	PART NUMBER	Q'TY	DESCRIPTION	REMARKS	NOTE1	NOTE2
		125303-13310	1	DIAPHRAGM/GASKET KIT			
11-3	+	125341-49030	1	DIAPHRAGM			
11-4	+	125340-51030	1	GASKET, DIAPHRAGM			
11-13	+	125312-12820	1	DIAPHRAGM, FUEL PUMP			
11-14	+	125325-13310	1	GASKET, PUMP			
		125300-13310	1	REBUILD KIT		Sus. by P005-001810	
		P005-001810	1	REBUILD KIT			
11-3	+	125341-49030	1	DIAPHRAGM			
11-4	+	125340-51030	1	GASKET, DIAPHRAGM			
11-6	+	125338-13930	1	PIN, METERING ARM			
11-7	+	125323-42030	1	LEVER, METERING			
11-8	+	125322-42030	1	SPRING, COIL		Sus. by 125322-11520	
11-8	+	125322-11520	1	SPRING, COIL			
11-9	+	125337-06960	1	VALVE, INLET NEEDLE			
11-12	+	125326-42030	1	STRAINER			
11-13	+	125312-12820	1	DIAPHRAGM, FUEL PUMP			
11-14	+	125325-13310	1	GASKET, PUMP			
11-29	+	125345-15130	1	PLUG, WELCH			

Index

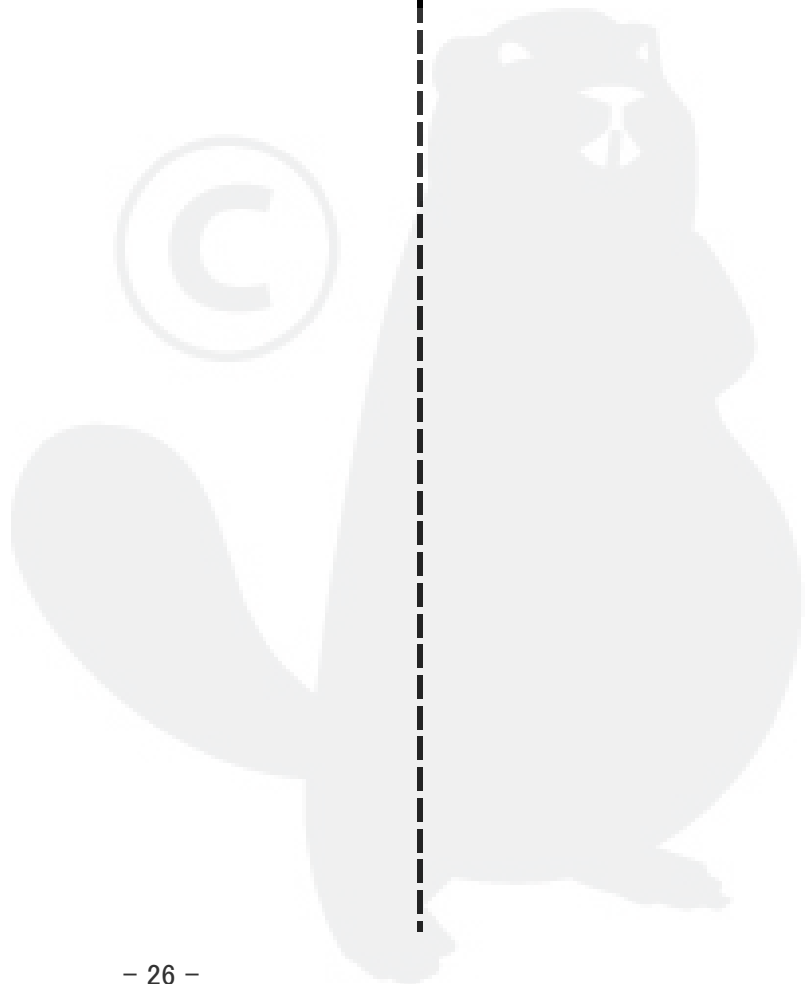
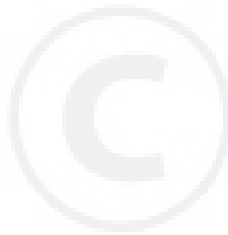
Patrs Number	Key No.	Patrs Number	Key No.	Patrs Number	Key No.
100000-48732	1 - 4	125326-42030	13 - 11-12	145866-42031	5 - 17
100000-48732	1 - 4	125327-13930	12 - 24	145876-42030	5 - 18
100011-05330	1 - 5	125327-15130	12 - 10	150112-42030	2 - 13
100011-05330	1 - 5	125329-09860	12 - 35	156601-44731	2 - 9
100012-51230	1 - 10	125333-06960	12 - 20	156601-44732	2 - 9
100013-11520	1 - 6	125334-06960	12 - 19	156601-52130	2 - 9
100014-11520	1 - 8	125337-06960	12 - 9	156601-52130	2 - 9
100015-04630	1 - 7	125337-06960	13 - 11-9	156801-12360	2 - 7
100100-44732	1 - 9	125338-13930	12 - 6	156801-44731	2 - 7
100100-44733	1 - 9	125338-13930	13 - 11-6	159010-10230	2 - 12
100204-52130	1 - 11	125339-42030	12 - 5	159011-03432	2 - 11
100204-52131	1 - 11	125340-51030	12 - 4	159012-01620	2 - 10
100204-52132	1 - 11	125340-51030	13 - 11-4	159017-10230	2 - 12
100212-42030	1 - 12	125340-51030	13 - 11-4	159017-10230	2 - 12
100212-42031	1 - 12	125341-49030	12 - 3	159112-22131	8 - 31
100215-03930	1 - 13	125341-49030	13 - 11-3	162010-52830	2 - 16
100242-42030	1 - 15	125341-49030	13 - 11-3	162010-52830	2 - 16
101010-44332	1 - 3	125342-13210	12 - 2	163400-49230	7 - 8
101011-06562	1 - 1	125342-52130	12 - 2	175000-52130	2 - 6
101514-42031	1 - 19	125344-52130	12 - 1	175000-56830	2 - 6
101535-44730	1 - 17	125345-15130	12 - 29	175005-44331	1 - 30
125200-52431	12 -	125345-15130	13 - 11-29	177200-54130	3 - 26
125200-52431	5 - 6	125363-11610	12 - 17	177202-44330	3 - 20
125200-52432	12 -	125372-42030	12 - 23	177202-44331	3 - 20
125200-52432	5 - 6	125376-49030	12 - 11	177215-44430	3 - 29
125200-52433	12 -	125381-08660	12 - 16	177218-44330	3 - 24
125200-52433	5 - 6	130010-42032	5 - 1	177220-42030	3 - 33
125300-13310	13 -	130016-42031	5 - 5	177226-10120	3 - 30
125303-13310	13 -	130017-42031	5 - 4	177227-42030	3 - 31
125310-11610	12 - 18	130111-00530	6 - 8	177228-06530	3 - 32
125312-12820	12 - 13	130301-42030	5 - 8	177228-27030	4 - 21
125312-12820	13 - 11-13	130310-46730	5 - 13	177234-42030	3 - 23
125312-12820	13 - 11-13	130319-42030	5 - 7	177234-42030	4 - 42
125313-42030	12 - 21	131004-55530	6 - 4	177236-44330	3 - 27
125314-13930	12 - 27	131005-44331	6 - 1	177246-11120	4 - 20
125316-49030	12 - 28	131005-44332	6 - 1	178001-56730	7 - 14
125317-49030	12 - 22	131016-55830	6 - 5	178001-56730	8 - 14
125318-52430	12 - 26	131051-56030	6 - 6	178010-48731	7 - 18
125320-52430	12 - 25	131205-07320	6 - 12	178010-48731	8 - 18
125322-11520	12 - 8	131300-56430	6 - 7	178043-06930	7 - 17
125322-11520	13 - 11-8	131312-44330	6 - 9	178043-06930	8 - 17
125322-42030	12 - 8	132010-13930	6 - 14	178048-05630	7 - 16
125322-42030	13 - 11-8	132010-56330	6 - 13	178048-05630	8 - 16
125323-42030	12 - 7	132013-09820	6 - 11	178110-05330	7 - 20
125323-42030	13 - 11-7	132115-46730	6 - 10	178110-05330	8 - 20
125325-13310	12 - 14	145510-42031	5 - 16	178127-24030	7 - 15
125325-13310	13 - 11-14	145631-42030	5 - 21	178515-46731	5 - 10
125325-13310	13 - 11-14	145642-04930	5 - 22	178516-00830	5 - 11
125326-42030	12 - 12	145863-42030	5 - 19	178810-42030	5 - 9

Index

Patrs Number	Key No.	Patrs Number	Key No.	Patrs Number	Key No.
305110-42030	6 - 18	900238-05020	5 - 3	P005-001050	12 - 11
351111-09630	7 - 11	900242-04010	5 - 20	P005-001710	12 - 25
351111-09631	7 - 11	900242-05014	9 - 25	P005-001720	12 - 26
351111-09631	8 - 11	900242-05028	7 - 21	P005-001810	13 -
351600-09630	7 - 4	900242-05028	8 - 21	P021-000050	5 - 15
351600-09630	8 - 4	900242-05057	5 - 12	P021-000051	5 - 15
610281-52730	7 - 24	900243-05016	6 - 2	P021-000052	5 - 15
610281-52730	8 - 24	900253-04018	7 - 25	P021-000140	9 - 8
610310-47930	9 - 11	900253-04018	8 - 25	P021-001101	1 - 4
610313-47930	9 - 19	900253-05020	4 - 15	P021-001102	1 - 4
610315-47930	9 - 13	900500-00005	5 - 2	P021-003520	9 - 8
610318-47930	9 - 17	900500-00005	7 - 9	P021-005550	7 - 19
610400-47930	9 - 10	900500-00005	8 - 9	P021-005550	8 - 19
610410-47930	9 - 15	900500-00005	9 - 34	P021-006080	9 - 31
610903-51030	1 - 23	900502-00006	7 - 13	P022-000070	10 - 2
610910-51030	1 - 27	900502-00006	8 - 13	P022-000080	10 - 3
610922-51030	1 - 25	900525-00006	7 - 5	P022-000090	10 - 4
610923-51030	1 - 26	900525-00006	8 - 5	P022-000100	10 - 6
696215-08230	10 - 5	900525-00006	9 - 24	P022-000110	10 - 7
699000-47930	9 - 20	900560-00005	7 - 10	P022-000120	10 - 8
699016-23231	9 - 32	900560-00005	8 - 10	P022-000710	11 - 47
699016-44330	9 - 32	900600-00005	5 - 22	P022-001230	11 - 44
699212-23230	9 - 33	900600-00006	7 - 6	P022-001240	11 - 46
890093-52730	10 - 1	900600-00006	8 - 6	P022-001280	11 - 42
890118-49130	3 - 36	900600-00006	9 - 23	P022-001290	11 - 43
890157-39130	7 - 26	900605-00008	9 - 18	P022-001300	11 - 45
890157-39130	8 - 26	900702-00032	1 - 29	P022-002100	4 - 43
890169-47530	5 - 14	900802-00608	9 - 12	P022-002860	11 - 46
890617-63630	7 - 3	900810-36201	1 - 14	P022-002900	11 - 41
895015-09631	7 - 30	900814-06201	1 - 28	P022-003320	11 - 41
895015-09631	8 - 30	91030-05010	9 - 14	P022-003330	11 - 46
895015-26630	7 - 30	91032-05030	9 - 16	P022-004600	4 - 25
895410-07630	7 - 28	94035-36201	1 - 14	P022-004610	4 - 22
895410-07630	8 - 28	A011-000101	1 - 9	P022-004620	4 - 23
899580-68730	7 - 29	A051-000290	4 - 19	P022-004630	4 - 31
900100-06040	7 - 7	A051-000291	4 - 19	P022-004640	4 - 30
900100-06040	8 - 7	A051-000292	4 - 19	P022-004650	4 - 29
900100-06045	9 - 22	A052-000130	4 - 40	P022-004660	4 - 27
900105-05055	5 - 23	A101-000000	1 - 5	P022-004670	4 - 28
900142-05025	1 - 24	A259-000030	12 - 34	P022-004680	4 - 24
900162-04016	4 - 33	A320-000250	5 - 21	P022-004690	4 - 26
900162-04022	2 - 8	A320-000251	5 - 21	P022-004740	4 - 41
900162-05022	1 - 2	A440-001020	8 - 8	P022-006190	11 - 44
900162-05028	1 - 16	A562-000000	9 - 30	P022-006570	11 - 44
900238-04012	1 - 20	C470-000000	7 - 19	V104-000160	5 - 16
900238-04016	1 - 18	C506-000010	9 - 5	V355-000040	9 - 13
900238-04016	1 - 22	C506-000020	9 - 5	V376-000360	4 - 35
900238-04016	3 - 35	P005-000390	12 - 22	V376-000361	4 - 35
900238-04016	4 - 33	P005-000590	12 - 15	V471-001190	6 - 14

Index

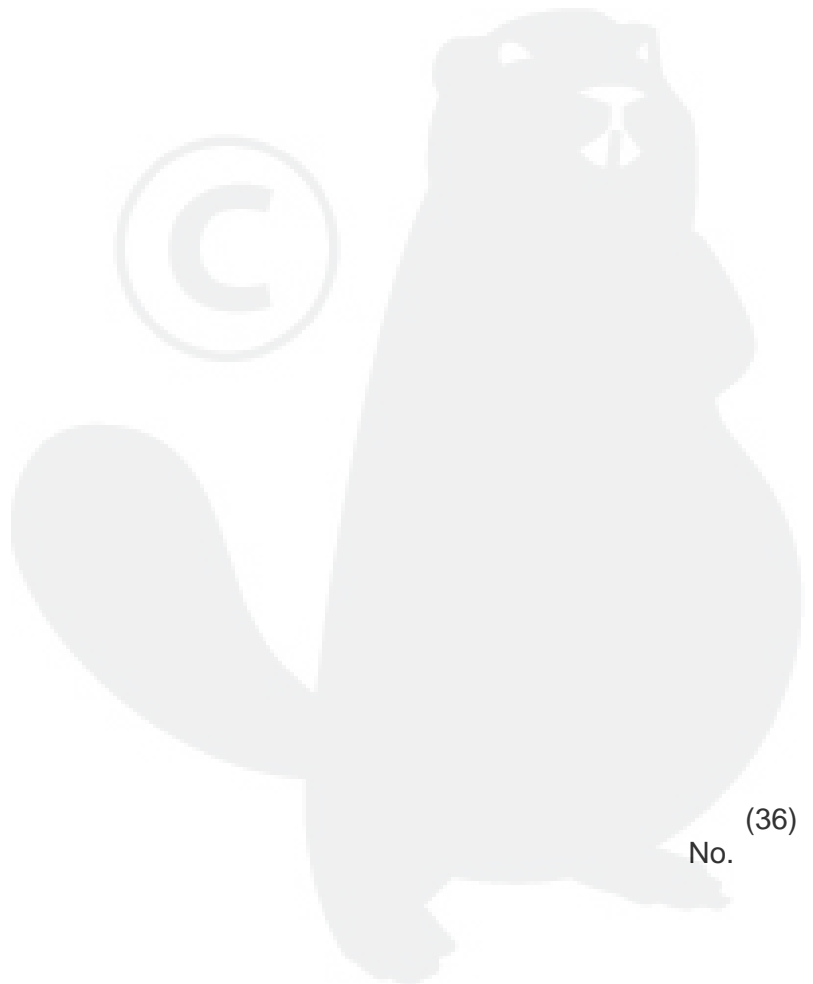
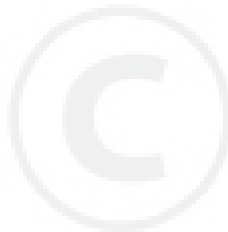
Patrs Number	Key No.	Patrs Number	Key No.	Patrs Number	Key No.
V471-001200	6 - 9				
V475-004020	8 - 15				
V553-000010	1 - 10				
V553-000030	1 - 10				
X047-000060	11 -				
X047-000170	11 -				
X047-000171	11 -				
X047-000240	11 -				
X047-000241	11 -				
X047-000242	11 -				
X470-000010	11 - 41				
X502-000031	4 - 18				
X502-000032	4 - 18				
X503-000030	1 - 21				
X505-000140	7 - 3				
X505-000140	8 - 3				
X505-000620	4 - 38				
X543-000100	1 - 21				
X690-000030	7 - 29				
X690-000030	8 - 29				



YAMABIKO CORPORATION

7-2 SUEHIROCHO 1-CHOME, OHME, TOKYO 198-8760, JAPAN
PHONE: 81-428-32-6118. FAX: 81-428-32-6145.

ECHO[®]



(36)
No.