



PARTS CATALOG

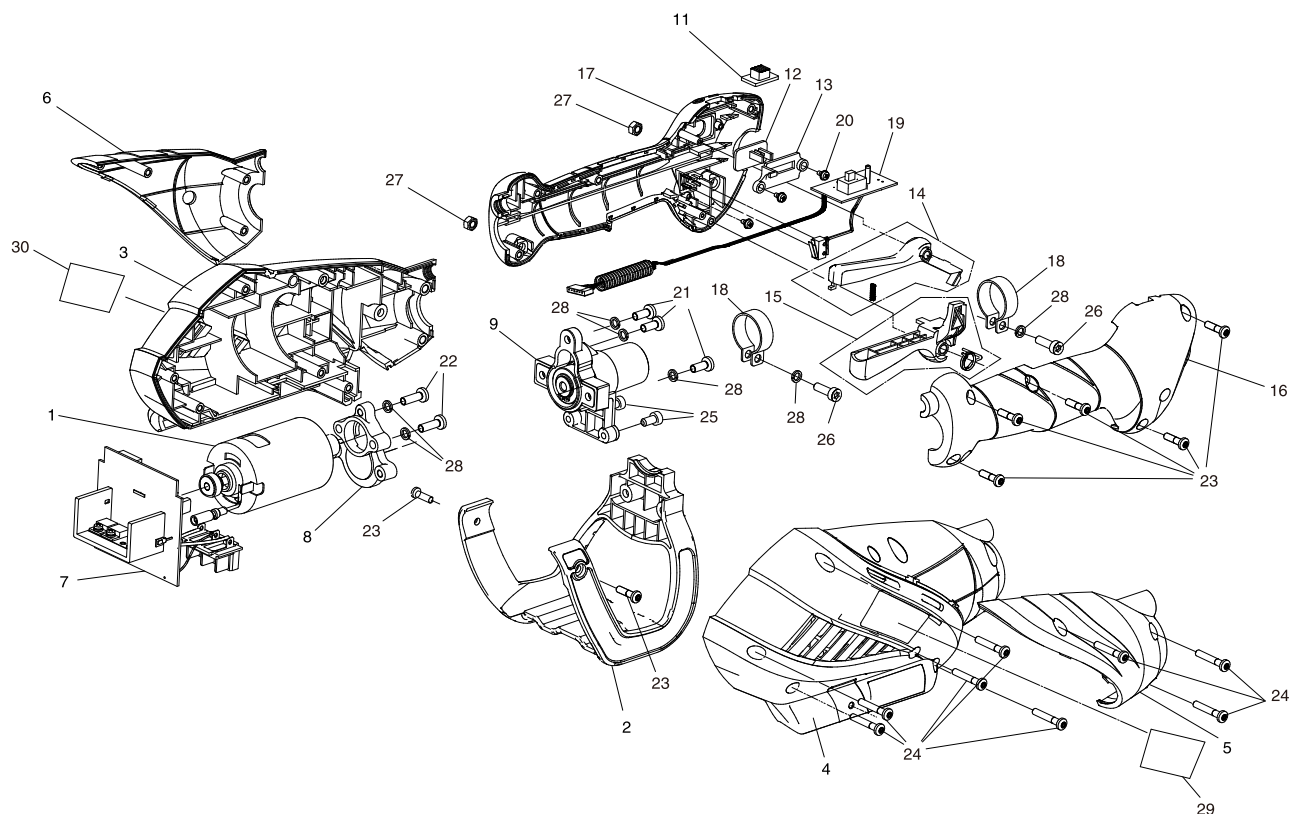
GRASS-TRIMMER / BRUSHCUTTER

ESR-2300/L(35)EU

35000001 -

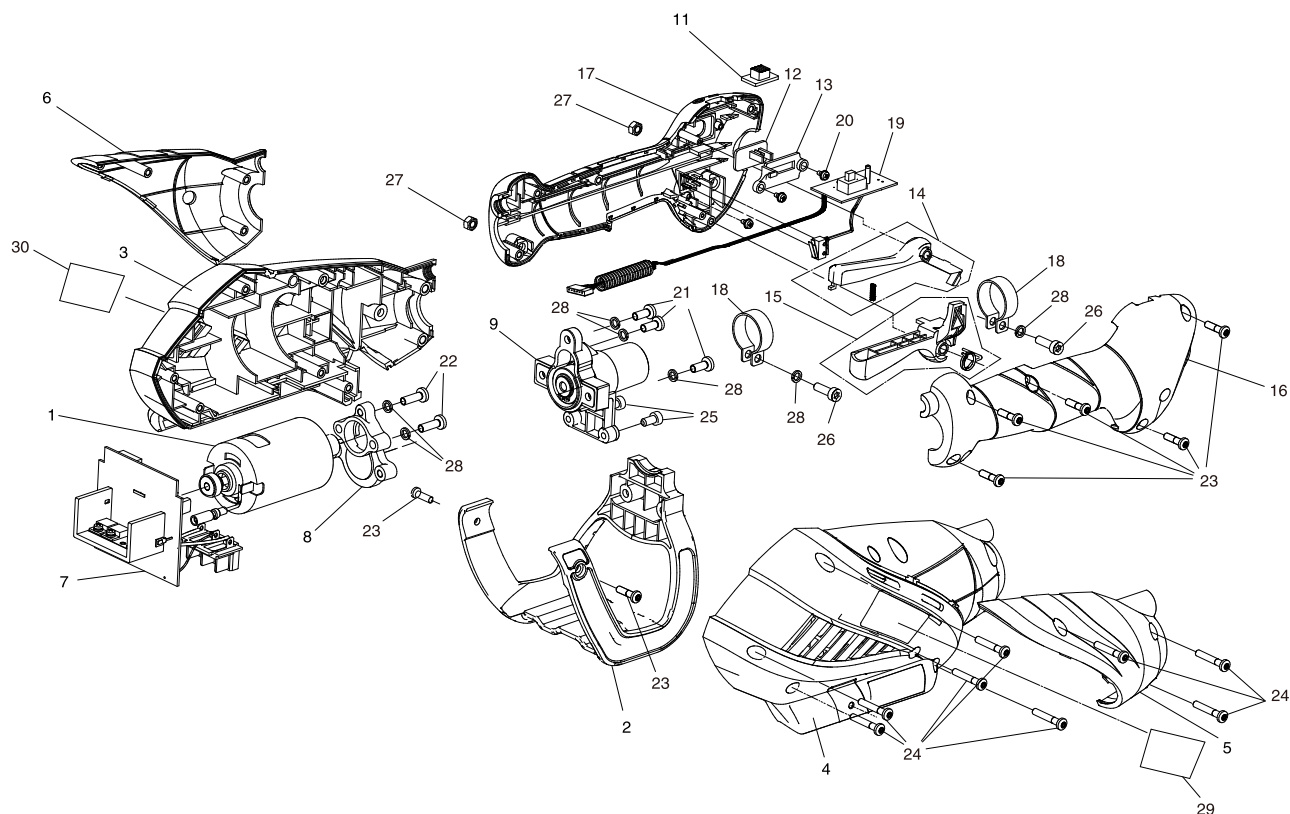
P014-001920-12Db

1. MOTOR



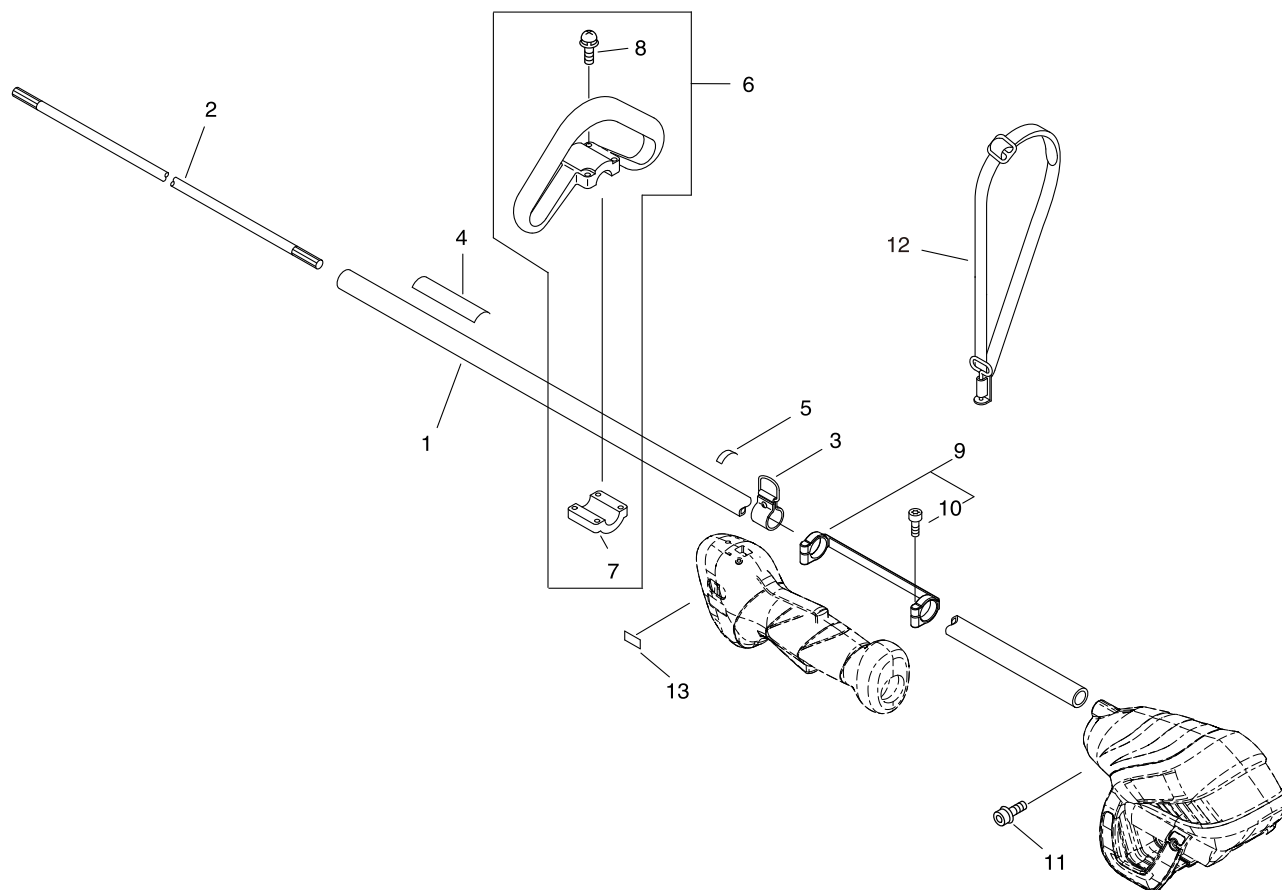
KEY	LV	PART NUMBER	Q'TY	DESCRIPTION	REMARKS	NOTE1	NOTE2
1		P022-033380	1	MOTOR ASY			
2		P022-033390	1	STAND			
3		P022-033400	1	MOTOR COVER			
4		P022-033410	1	MOTOR COVER			
5		P022-033420	1	COVER			
6		P022-033430	1	COVER			
7		P022-033440	1	PCB ASY			
8		P022-033450	1	GEAR CASE COVER			
9		P022-033460	1	GEAR CASE ASY			
11		P022-033470	1	ON OFF SWITCH			
12		P022-033480	1	SWITCH			
13		P022-033490	1	SWITCH BRACKET			
14		P022-033500	1	THROTTLE LOCK OUT			
15		P022-033510	1	THROTTLE TRIGGER			
16		P022-033520	1	HANDLE GRIP			
17		P022-033530	1	HANDLE GRIP			
18		P022-033540	2	BAND			
19		P022-033550	1	PCB ASY			
20		P022-033560	3	SCREW WITH WASHER			
21		P022-033570	3	SCREW			
22		P022-033580	2	SCREW			
23		P022-033590	7	SCREW			
24		P022-033600	8	SCREW			
25		P022-033610	2	SCREW			
26		P022-033620	2	SCREW			
27		P022-033630	2	HEXAGON NUT			

1. MOTOR



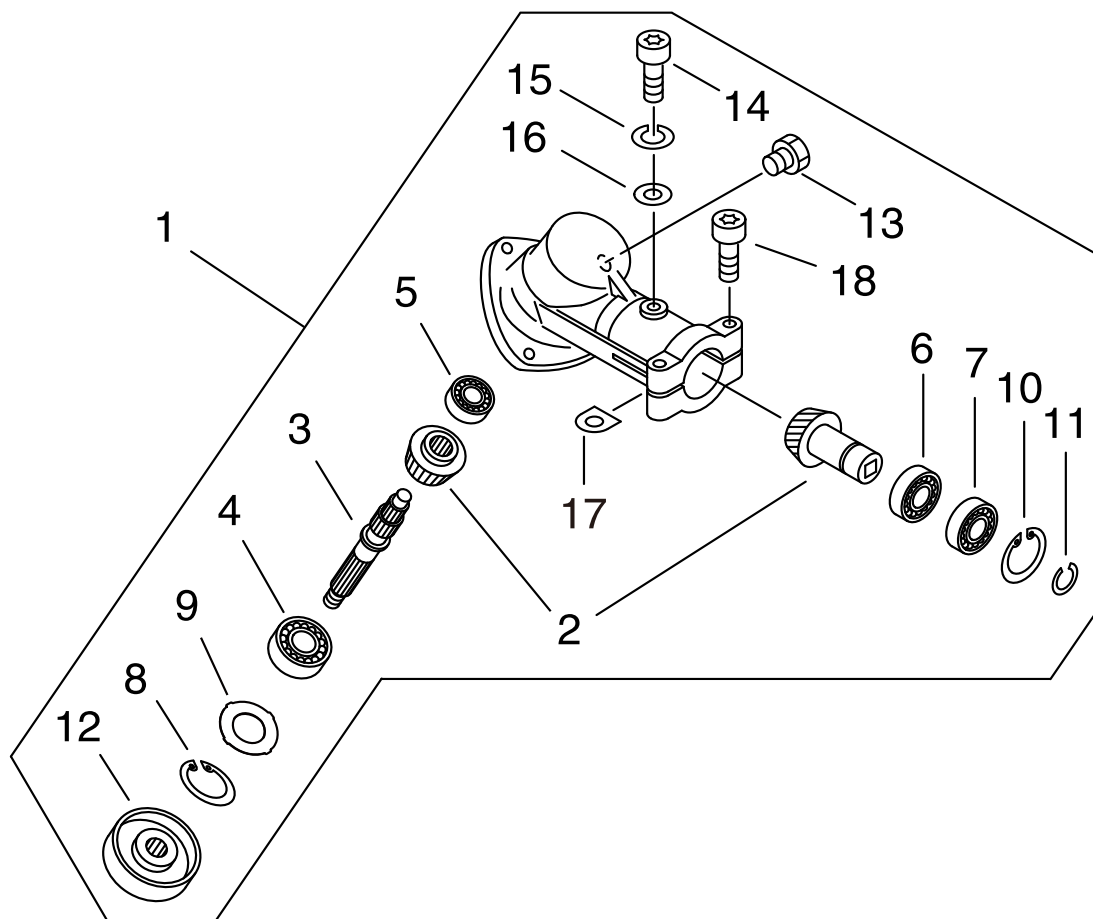
KEY	LV	PART NUMBER	Q'TY	DESCRIPTION	REMARKS	NOTE1	NOTE2
28		P022-033640	7	SPRING WASHER			
29		X502-000920	1	LABEL,ECHO			
30		X502-000910	1	LABEL,ECHO			

2. MAIN PIPE



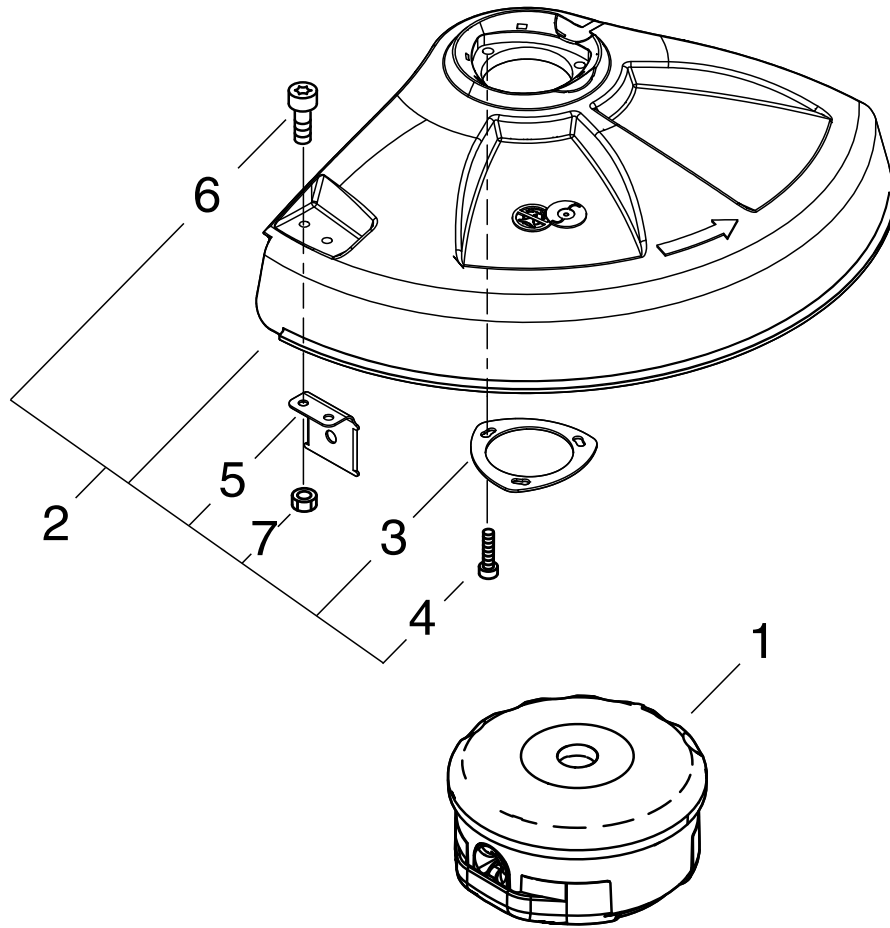
KEY	LV	PART NUMBER	Q'TY	DESCRIPTION	REMARKS	NOTE1	NOTE2
1		C050-002410	1	PIPE, MAIN			
2		C504-001170	1	SHAFT, DRIVE			
3		C063-000040	1	HOOK,LIFTING			
4		X505-007030	1	LABEL,CAUTION			
5		890152-04930	1	LABEL, CAUTION			
6		P021-040970	1	FRONT HANDLE ASY			
7	+	351225-07131	1	BRACKET, F. HANDLE			
8	+	900242-05035	4	SCREW 5*35	5*35		
9		P021-041020	1	COLLER			
10	+	V804-000020	2	BOLT, TORX 4	TT-4*20 DG 10.9		
11		900105-05010	1	BOLT, H.S. 5*10	5*10		
12		C062-000021	1	HARNESS, SHOULDER			
13		X511-000210	1	LABEL, THROTTLE			

3. GEAR CASE



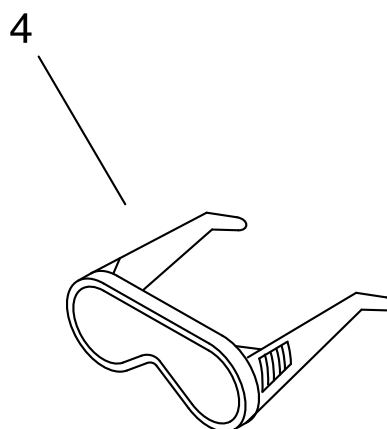
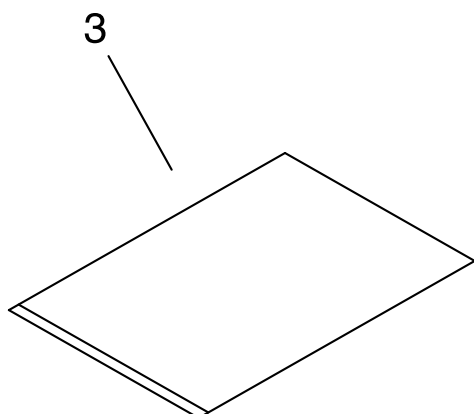
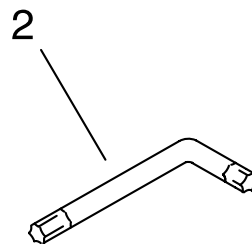
KEY	LV	PART NUMBER	Q'TY	DESCRIPTION	REMARKS	NOTE1	NOTE2
1		P021-041010	1	GEAR CASE			
2	+	V000-000180	1	GEAR SET, BEVEL			
3	+	C534-000270	1	SHAFT, GEAR			
4	+	900812-06201	1	BEARING, BALL 6201			
5	+	94060-00609	1	BEARING BALL	WEAPON BB609		
6	+	94060-06900	1	BEARING BALL	WEAPON BB6900		
7	+	94063-06900	1	BEARING BALL	WEAPON BB6900Z		
8	+	900702-00032	1	CIRCLIP 32	CR-32		
9	+	V340-000180	1	WASHER			
10	+	900702-00022	1	CIRCLIP 22	CR-22		
11	+	900706-00010	1	CIRCLIP 10	WR-10		
12	+	C535-000210	1	FIXTURE, BLADE			
13	+	610434-50031	1	BOLT 8*8	M8*8		
14	+	V805-000130	1	BOLT, TORX 5	TB-5*10 10.9		
15	+	900605-00005	1	WASHER, SPRING 5	5		
16	+	900600-00005	1	WASHER 5	5		
17	+	610239-04130	2	WASHER, SHIM			
18	+	V805-000260	2	BOLT, TORX 5	TB-5*25 半10.9		

4. SHIELD

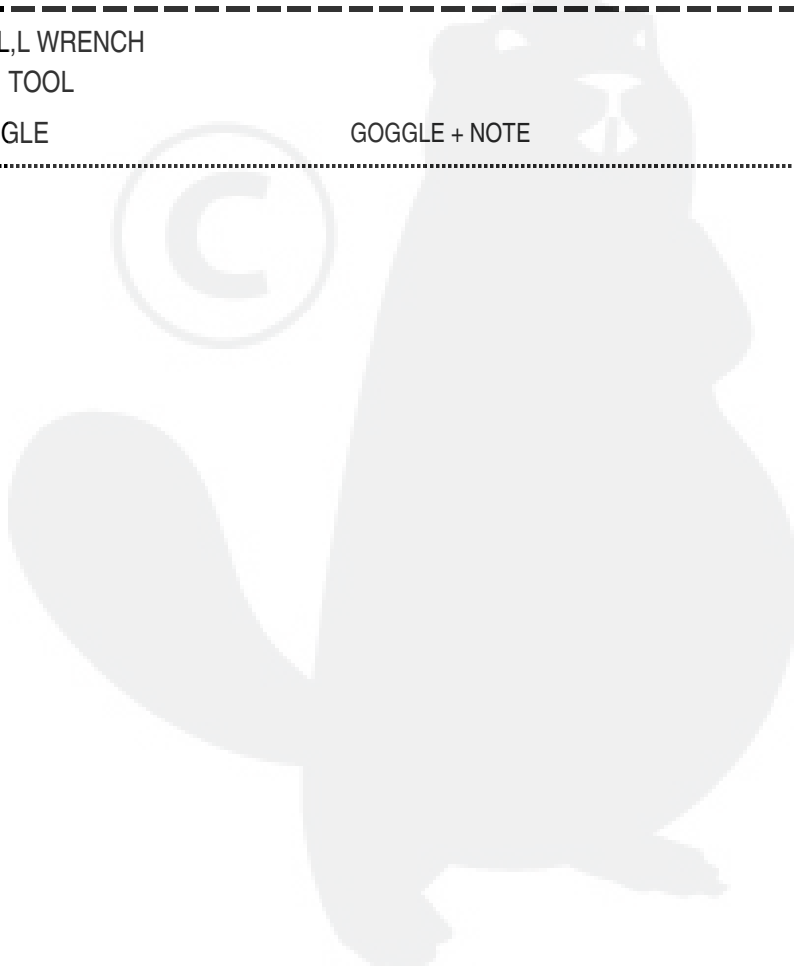


KEY	LV	PART NUMBER	Q'TY	DESCRIPTION	REMARKS	NOTE1	NOTE2
1		X047-001020	1	CUTTER,ASM LINE	G138507		
2		P021-041030	1	SHIELD KIT			
3	+	C552-000220	1	PLATE, SHIELD			
4	+	V203-002110	3	BOLT,5	TB-5*16 10.9		
5	+	C554-000070	1	KNIFE, CORD			
6	+	V805-000140	2	BOLT, TORX 5	TB-5*12 10.9		
7	+	900500-00005	2	NUT 5	5		

5. ACCESSORIES

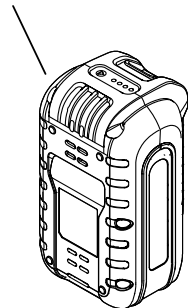


KEY	LV	PART NUMBER	Q'TY	DESCRIPTION	REMARKS	NOTE1	NOTE2
2		X605-000170	1	TOOL,L WRENCH			
3		898510-07130	1	BAG, TOOL			
4		X690-000050	1	GOGGLE	GOGGLE + NOTE		

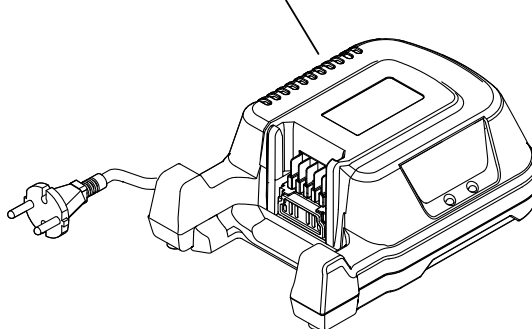


6. BATTERY

LBC-360

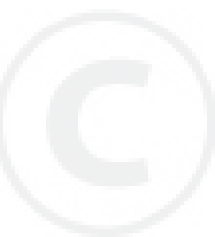


LCC-360C FOR EUROPE

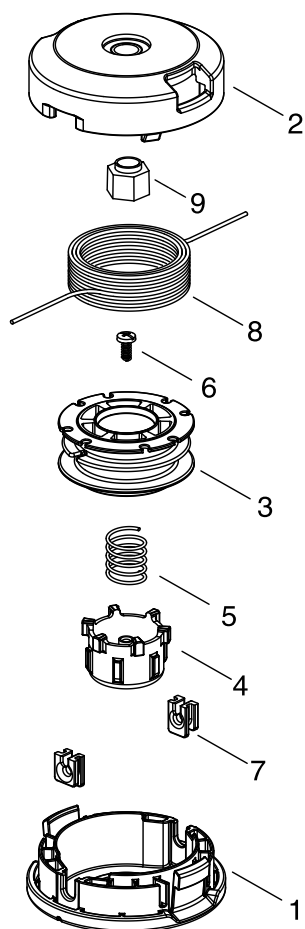


* Batteries and charger are handle as accessories instead of spare parts.
 Please place an order of batteries and charger at the same time as unit order.

KEY	LV	PART NUMBER	Q'TY	DESCRIPTION	REMARKS	NOTE1	NOTE2
4		X690-000050	1	GOGGLE	GOGGLE + NOTE		



7. NYLON LINE CUTTER



KEY	LV	PART NUMBER	Q'TY	DESCRIPTION	REMARKS	NOTE1	NOTE2
		X047-001020	1	CUTTER,ASM LINE	G138507		
1	+	P022-025530	1	CASE			
2	+	P022-025540	1	COVER			
3	+	P022-025550	1	REEL			
4	+	P022-025560	1	BUTTON			
5	+	P022-025570	1	RETURN SPRING			
6	+	P022-025580	1	SET SCREW			
7	+	P022-025590	2	CORD GUIDE			
8	+	P022-034150	1	NYLON CORD			
9	+	P022-025610	1	SHAFT			

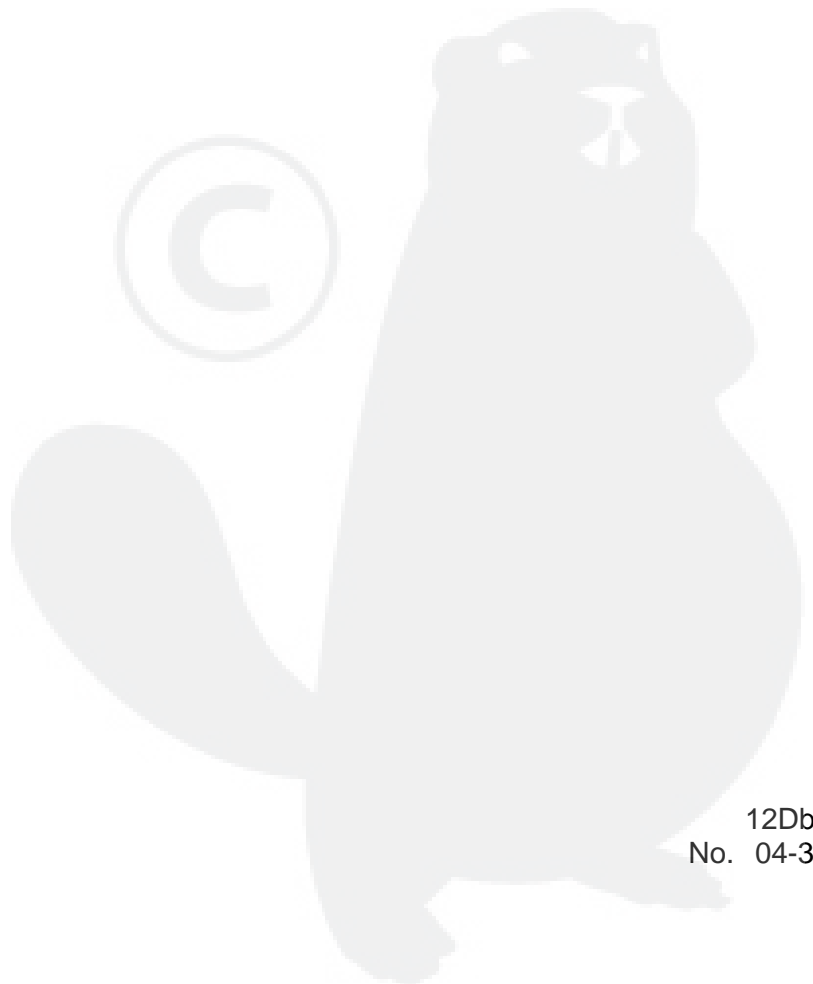
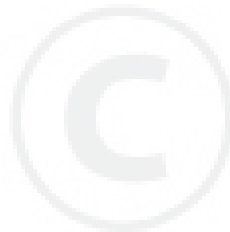
Index

Patrs Number	Key No.	Patrs Number	Key No.	Patrs Number	Key No.
351225-07131	2 - 7	P022-033500	1 - 14		
610239-04130	3 - 17	P022-033510	1 - 15		
610434-50031	3 - 13	P022-033520	1 - 16		
890152-04930	2 - 5	P022-033530	1 - 17		
898510-07130	5 - 3	P022-033540	1 - 18		
900105-05010	2 - 11	P022-033550	1 - 19		
900242-05035	2 - 8	P022-033560	1 - 20		
900500-00005	4 - 7	P022-033570	1 - 21		
900600-00005	3 - 16	P022-033580	1 - 22		
900605-00005	3 - 15	P022-033590	1 - 23		
900702-00022	3 - 10	P022-033600	1 - 24		
900702-00032	3 - 8	P022-033610	1 - 25		
900706-00010	3 - 11	P022-033620	1 - 26		
900812-06201	3 - 4	P022-033630	1 - 27		
94060-00609	3 - 5	P022-033640	1 - 28		
94060-06900	3 - 6	P022-034150	7 - 8		
94063-06900	3 - 7	V000-000180	3 - 2		
C050-002410	2 - 1	V203-002110	4 - 4		
C062-000021	2 - 12	V340-000180	3 - 9		
C063-000040	2 - 3	V804-000020	2 - 10		
C504-001170	2 - 2	V805-000130	3 - 14		
C534-000270	3 - 3	V805-000140	4 - 6		
C535-000210	3 - 12	V805-000260	3 - 18		
C552-000220	4 - 3	X047-001020	4 - 1		
C554-000070	4 - 5	X047-001020	7 -		
P021-040970	2 - 6	X502-000910	1 - 30		
P021-041010	3 - 1	X502-000920	1 - 29		
P021-041020	2 - 9	X505-007030	2 - 4		
P021-041030	4 - 2	X511-000210	2 - 13		
P022-025530	7 - 1	X605-000170	5 - 2		
P022-025540	7 - 2	X690-000050	5 - 4		
P022-025550	7 - 3				
P022-025560	7 - 4				
P022-025570	7 - 5				
P022-025580	7 - 6				
P022-025590	7 - 7				
P022-025610	7 - 9				
P022-033380	1 - 1				
P022-033390	1 - 2				
P022-033400	1 - 3				
P022-033410	1 - 4				
P022-033420	1 - 5				
P022-033430	1 - 6				
P022-033440	1 - 7				
P022-033450	1 - 8				
P022-033460	1 - 9				
P022-033470	1 - 11				
P022-033480	1 - 12				
P022-033490	1 - 13				

YAMABIKO CORPORATION

7-2 SUEHIROCHO 1-CHOME, OHME, TOKYO 198-8760, JAPAN
PHONE: 81-428-32-6118. FAX: 81-428-32-6145.

ECHO[®]



12Db
No. 04-332